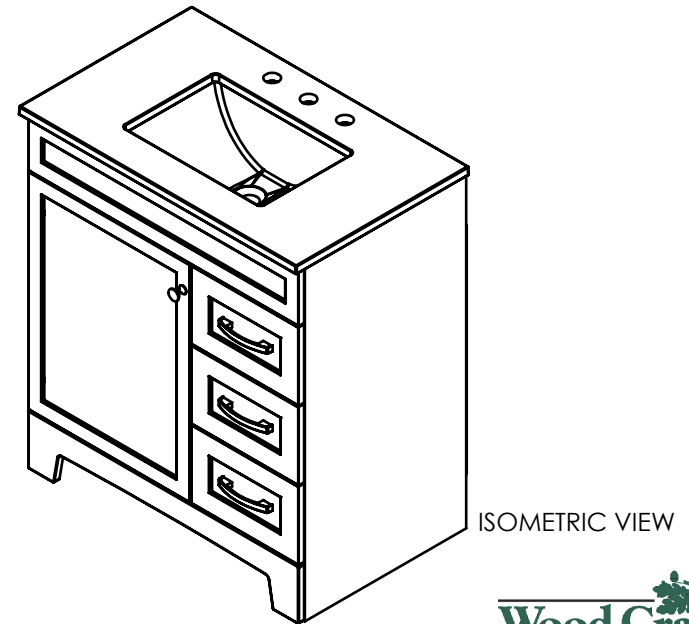
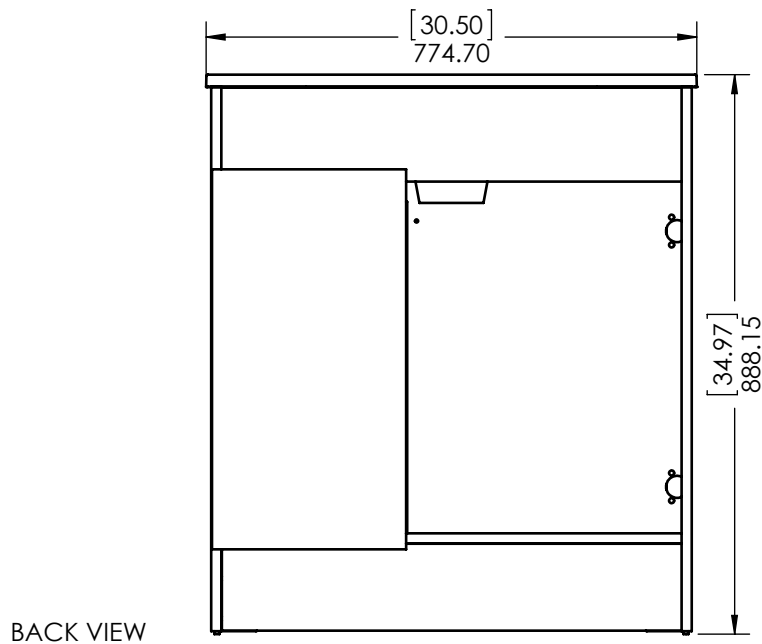
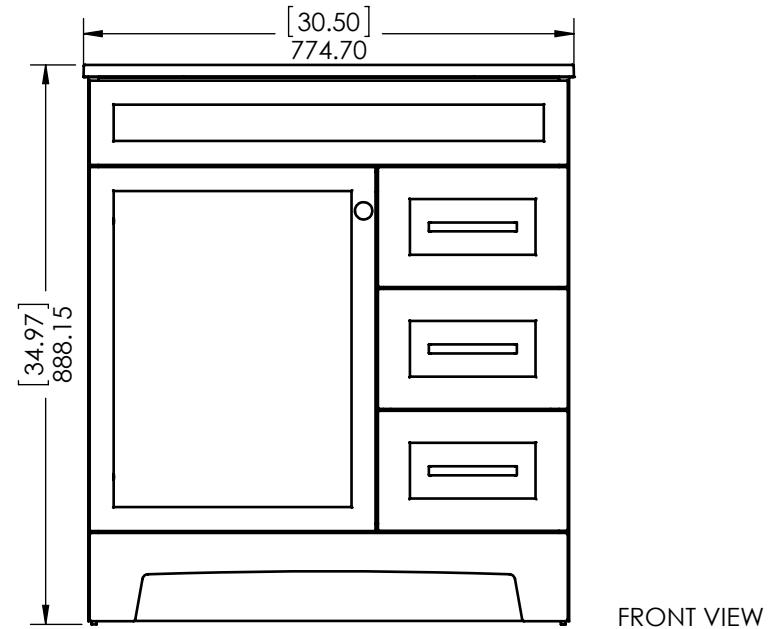
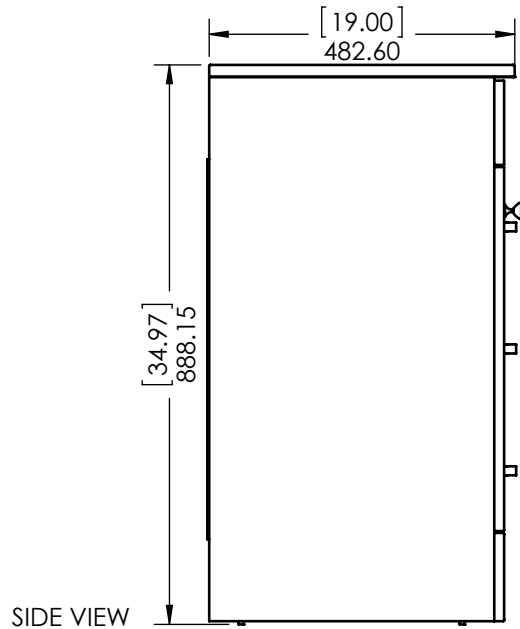


ITEM ID	DESCRIPTION
TB30P3-CT	Thornbriar 30in w/VTop & Mirror - Cement

REV	ECO#	DESCRIPTION	REV'D BY DATE	CHK'D BY DATE	APR'D BY DATE
0		New Release	IASV 6/4/18	IASV 6/4/18	IASV 6/4/18



**PROPRIETARY AND CONFIDENTIAL**  
 THE INFORMATION CONTAINED IN THIS DRAWING IS THE SOLE PROPERTY OF WOODCRAFTERS HOME PRODUCTS L.L.C. ANY REPRODUCTION IN PART OR AS A WHOLE WITHOUT THE WRITTEN PERMISSION OF WOODCRAFTERS HOME PRODUCTS L.L.C. IS PROHIBITED.

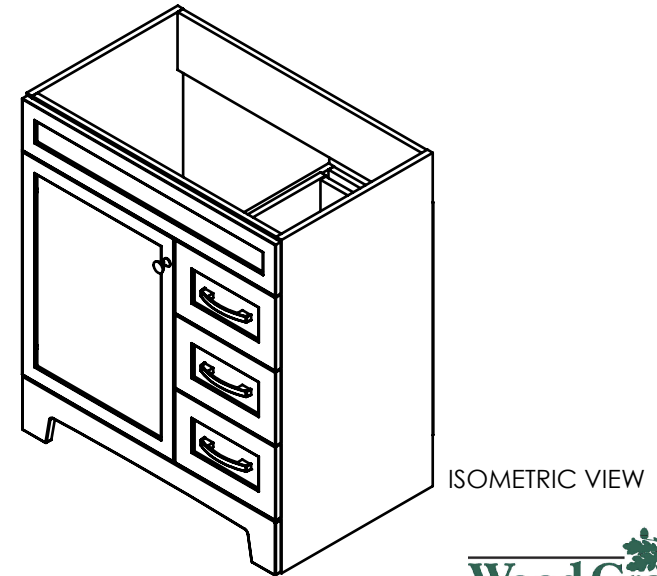
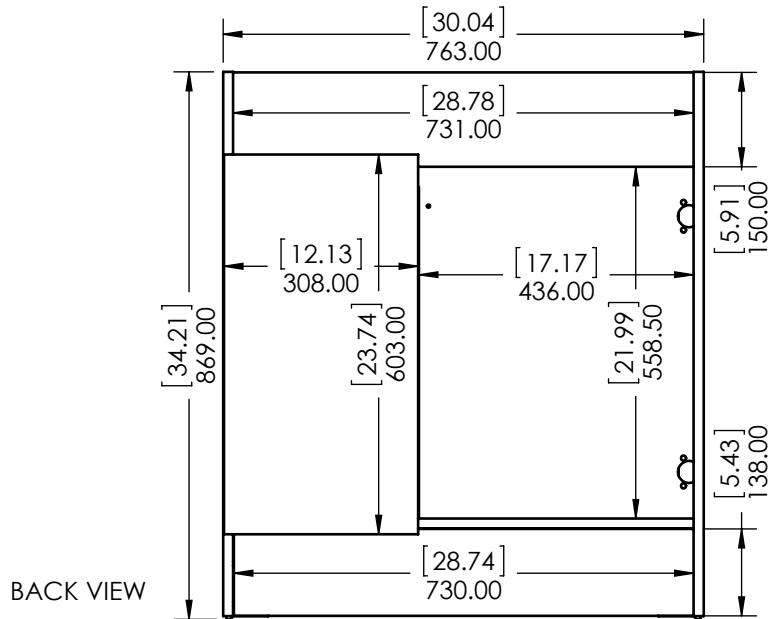
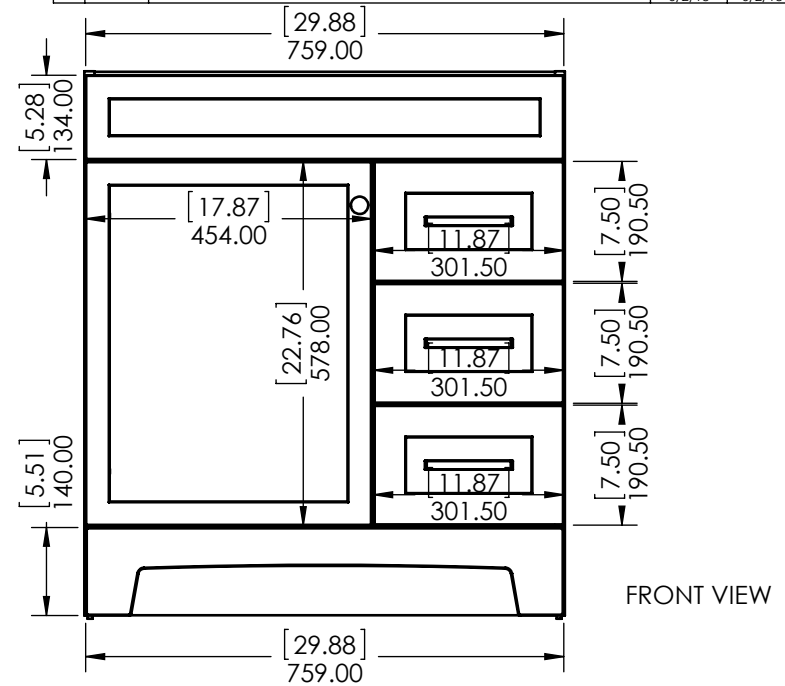
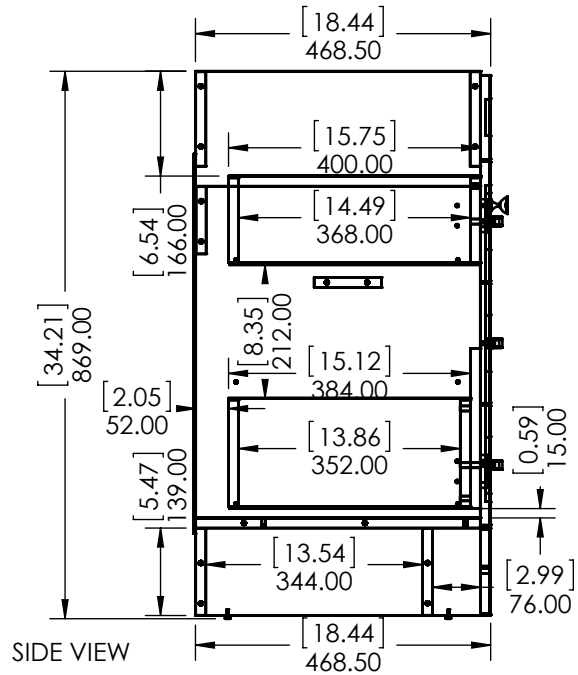
UNLESS OTHERWISE SPECIFIED  
 DIMENSIONS ARE IN mm and [inches]  
 AND TOLERANCES ARE +/- 1.0 [0.04]

DRAWN BY:	IASV	6/4/18
CHECKED BY:	IASV	6/4/18
APPROVED BY:	IASV	6/4/18
DO NOT SCALE DRAWING	SCALE: 1:10	SIZE: A

TITLE:	<b>THORNBRIAR 30in ASSEMBLY (TB30P3-CT)</b>
PART NO:	PAGE 1 OF 1 REV: 0

ITEM ID	DESCRIPTION
TB30P3-CT	Thornbriar 30in w/VTop & Mirror - Cement

REV	ECO#	DESCRIPTION	REV'D BY DATE	CHK'D BY DATE	APR'VD BY DATE
0		New Release	IASV 6/2/18	IASV 6/2/18	IASV 6/2/18



**PROPRIETARY AND CONFIDENTIAL**  
 THE INFORMATION CONTAINED IN THIS DRAWING IS THE SOLE PROPERTY OF WOODCRAFTERS HOME PRODUCTS L.L.C. ANY REPRODUCTION IN PART OR AS A WHOLE WITHOUT THE WRITTEN PERMISSION OF WOODCRAFTERS HOME PRODUCTS L.L.C. IS PROHIBITED.

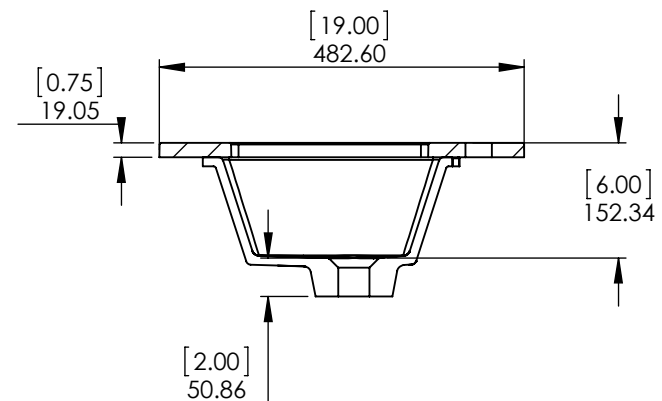
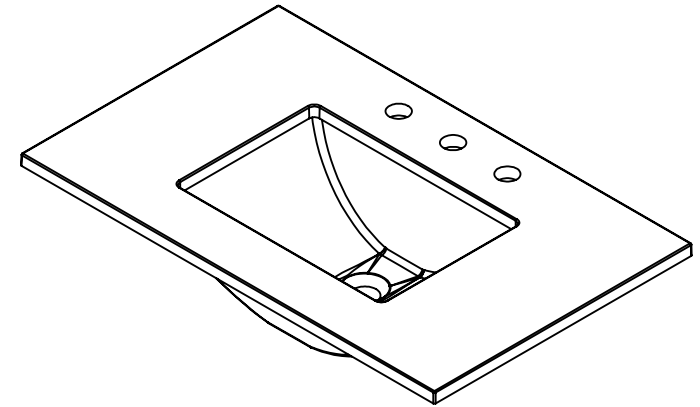
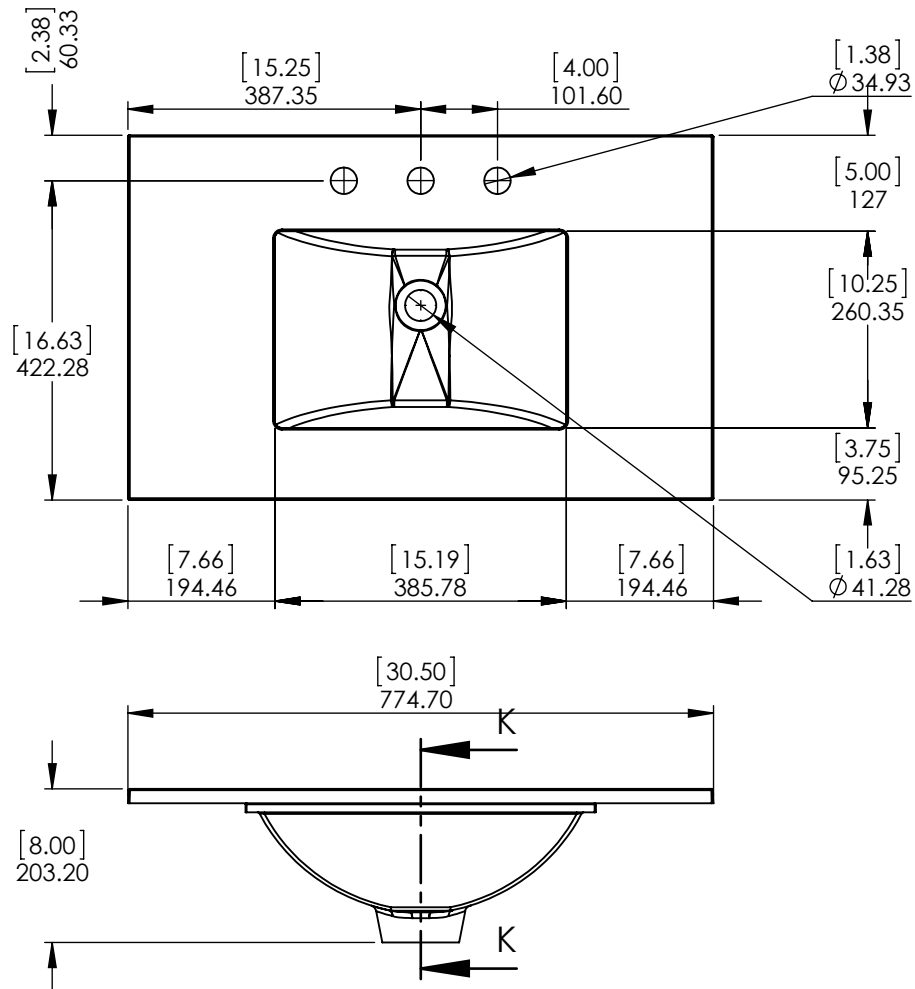
UNLESS OTHERWISE SPECIFIED  
 DIMENSIONS ARE IN mm and [inches]  
 AND TOLERANCES ARE +/- 1.0 [0.04]

DRAWN BY:	IASV	6/2/18
CHECKED BY:	IASV	6/2/18
APPROVED BY:	IASV	6/2/18
DO NOT SCALE DRAWING	SCALE: 1:10	SIZE: A

TITLE:	<b>THORNBRIAR 30" ASSEMBLY (TB30P3-CT)</b>	
PART NO:	PAGE	REV:
	1 OF 1	0

ID	Description	Technology	Status
595568	Vtop SE Rect 30.5x19 8in Cielo de Oro	Stone Effect	Approved for production
59XxXx	Vtop SE Rect 30.5x19 8in Winter Mist	Stone Effect	Approved for production

Rev #	Approved by	Change
0	R. Rubio	Released
1	R. Rubio	New Model Added



NOTE: MAX. WARPAGE  
TOLERANCE 1/8"

**PROPRIETARY AND CONFIDENTIAL**

THE INFORMATION CONTAINED IN THIS DRAWING IS THE SOLE PROPERTY OF WOODCRAFTERS. ANY REPRODUCTION IN PART OR AS A WHOLE WITHOUT THE WRITTEN PERMISSION OF WOODCRAFTERS IS PROHIBITED.

UNLESS OTHERWISE SPECIFIED

DIMENSIONS ARE IN MM. AND (INCHES)

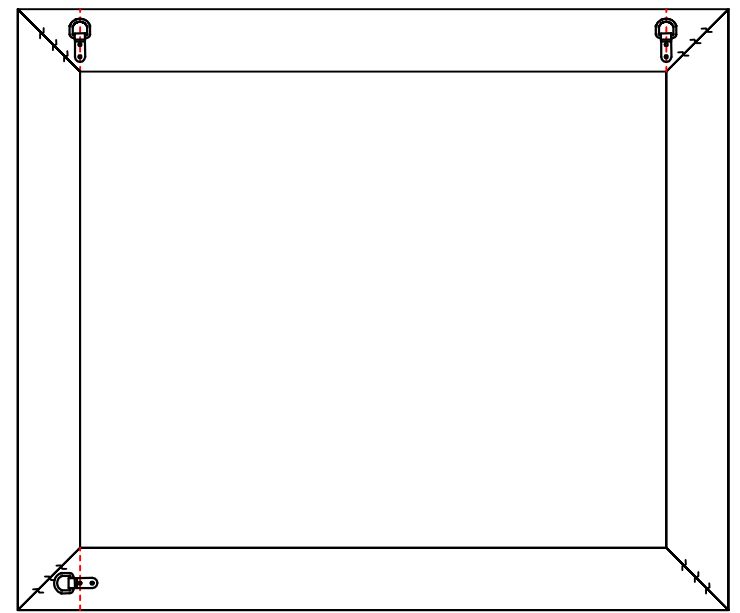
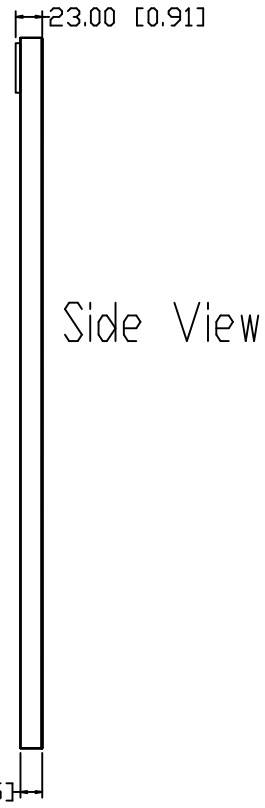
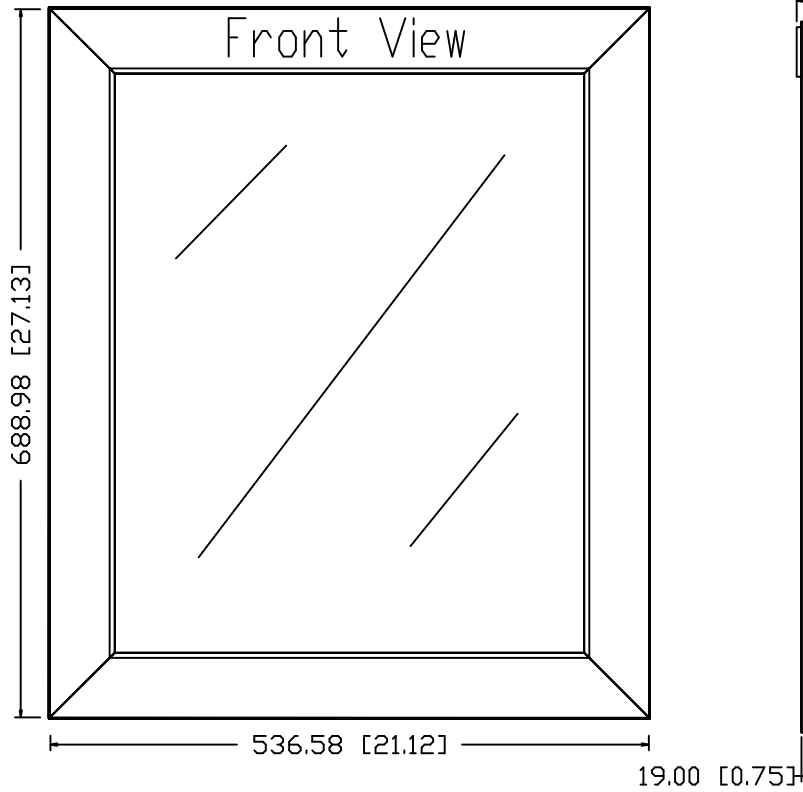
TOLERANCES ARE  
+ 0.125 [3.175] - 0.125 [-3.175]

SCALE:1:10

	NAME	DATE
DRAWN	O. Razo	12/4/17
CHECKED	R. Rubio	12/4/17
ENG APPR.	R. Rubio	12/4/17
MFG APPR.	C. Leal	12/4/17



SIZE	DWG. NO.	SHEET 1 OF 1	REV. 1
A	Vtop SE Rect 30.5x19 8in		



PROPRIETARY AND CONFIDENTIAL THE INFORMATION CONTAINED IN THIS DRAWING IS THE SOLE PROPERTY OF WOODCRAFTERS HOME PRODUCTS L.L.C. ANY REPRODUCTION IN PART OR AS A WHOLE WITHOUT THE WRITTEN PERMISSION OF WOODCRAFTERS HOME PRODUCTS L.L.C. IS PROHIBITED.	UNLESS OTHERWISE SPECIFIED	DRAWN BY: Carlos R. 06/4/18	TITLE: Wrap Molding
	DIMENSIONS ARE IN mm and[inches]	CHECKED BY: Dagoberto 06/4/18	Wall Mirror
	AND TOLERANCES ARE +/- 1 [0.04]	APPROVED BY: Alexandro 06/4/18	Cement
		NO NET SCALE DRAWING SCALE: 1:1 SIZE: A PART NO. PAGE 1 OF 1 REV: 0	