

# DO IT YOURSELF VANITY TOP INSTALLATION GUIDE

AMERICAN  
**Woodmark**<sup>®</sup>



# DO IT YOURSELF - VANITY TOP INSTALLATION GUIDE

AMERICAN  
**Woodmark**<sup>®</sup>



## BEFORE YOU BEGIN



### IMPORTANT!

DO NOT UNPACK VANITY TOP  
OR PROCEED ANY FURTHER WITHOUT  
READING THE FOLLOWING INSTRUCTIONS.



This guide contains important information to help you install and care for your Silestone<sup>®</sup> vanity top.

Please read these instructions thoroughly before starting your installation.

## SUPPLIES REQUIRED: YOU MAY NEED ONE OR MORE OF THE FOLLOWING

- Color matched or clear silicone caulk
- Tapered shim material
- Clean, white cotton cloth
- Pencil
- Masking tape
- Denatured alcohol

## TOOLS: YOU MAY NEED ONE OR MORE OF THE FOLLOWING

- Caulking gun
- Tape measure
- Utility knife
- Vacuum (optional)

## VANITY TOP INSPECTION

1. Without lifting the vanity top, visually inspect the surface for obvious shipping or material damage.
2. In the event of damage, immediately report any problems to customer service before proceeding any further. Claims filed more than 15 days after receipt of product will not be honored.

Contact customer service at 855-HD4VANS or via e-mail at: [customercare@americanwoodmark.com](mailto:customercare@americanwoodmark.com)

## CABINET PREPARATION

1. Inspect installation area to make sure cabinetry is properly secured and stable.
2. Cabinet surface must be flat and level prior to installation of the vanity top.



**STOP!**  
IMPORTANT LIFTING INSTRUCTIONS:  
TWO PEOPLE ARE REQUIRED  
TO UNPACK AND CARRY THIS VANITY TOP



## PROCEDURE

1. Use a damp cloth or vacuum to remove dust and dirt from top of the cabinet.
2. Allow surface to dry.
3. Apply a 1/4-inch bead of silicone along all perimeter edges of the cabinet. (see fig. 1.1)

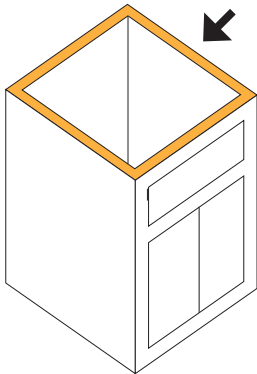


fig. 1.1

**TIP:** Before using silicone, make sure that the vanity top fits your cabinet. If your vanity top does not have proper clearance, do not force it on the cabinet

6. Carefully place the back edge of the vanity top approx. 2 inches or as close to the wall as possible. Lower the vanity top into place while carefully supporting the center of the vanity top. As the vanity top is lowered, carefully slide the vanity top back until it fits tightly against the wall. (see fig. 1.3)

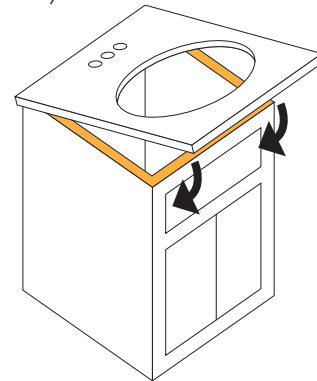


fig. 1.3

**TIP:** If there are any voids between top of cabinet and bottom of vanity top, insert tapered shims as necessary.

4. Carefully remove vanity top from box. Stand vanity top upright with back edge facing down. (see fig 1.2)

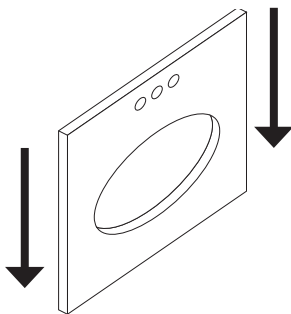


fig 1.2

7. Run a thin bead of clear silicone around perimeter of the vanity top to fill any visible voids between the cabinet and vanity top. (see fig 1.4)

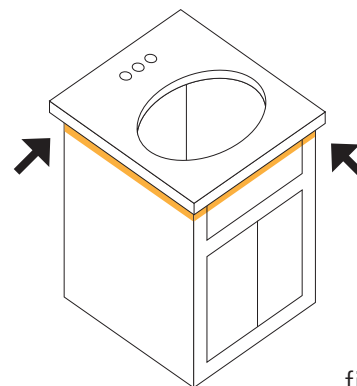


fig. 1.4

5. Carry the vanity top vertically to the cabinet.

8. Remove excess silicone with a clean cloth.

## BACKSPLASH INSTALLATION PROCEDURE

1. Prior to installation, identify the "face" (polished/gloss) surface and the "top edge" of the backsplash. Apply masking tape along bottom edge of backsplash and along the back edge of the vanity top (see fig. 2.1) The tape needs to be set away from the back edge of the top for the thickness of the splash + 1/8 - inches, this will aid in the removal of excess silicone.

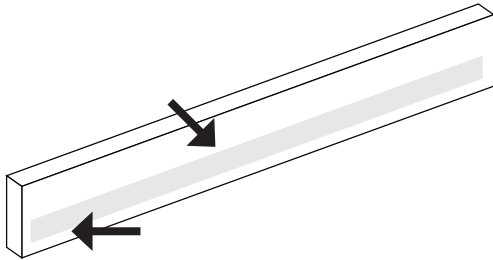


fig 2.1

2. Apply a bead of color matched or clear silicone caulk along the bottom edge of the backsplash. (see fig. 2.2)

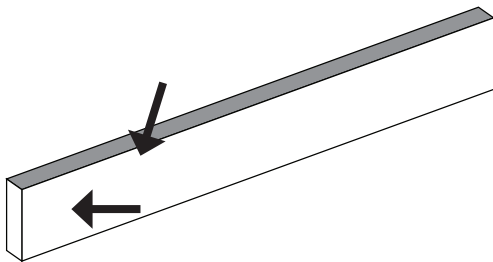


fig 2.2

3. Apply dabs of silicone to the backside of the backsplash. (see fig. 2.3)

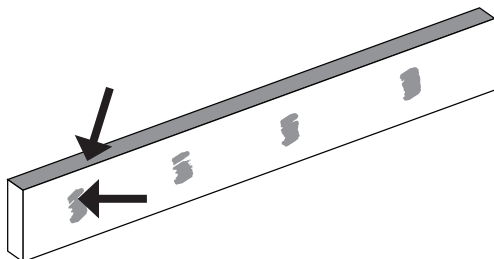


fig 2.3

4. Carefully set backsplash into place against wall and vanity top. Be sure to lightly press backsplash into place. Do not use excessive force. (see fig. 2.4)

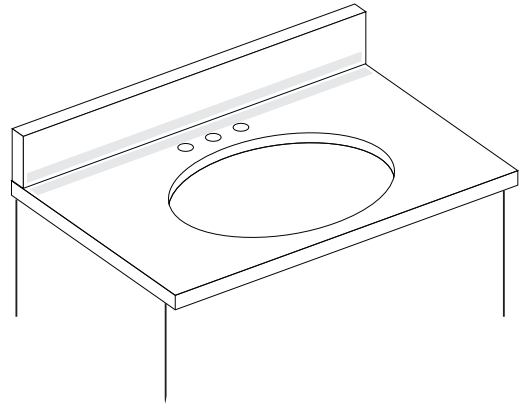


fig 2.4

5. Apply a thin bead of color matched or clear silicone along the joint between the backsplash and the vanity top.
6. Smooth the silicone bead with a clean, white cotton cloth dampened with a denatured alcohol.
7. Remove masking tape from backsplash and vanity top.
8. Repeat steps 1-7 to attach side splashes. (if applicable)
9. Wait 24 hours before using vanity top to allow time for silicone to fully cure.

Note: Follow all manufacturer's instructions and safety information on all silicone caulk containers.

Ensure adequate ventilation before applying silicone.