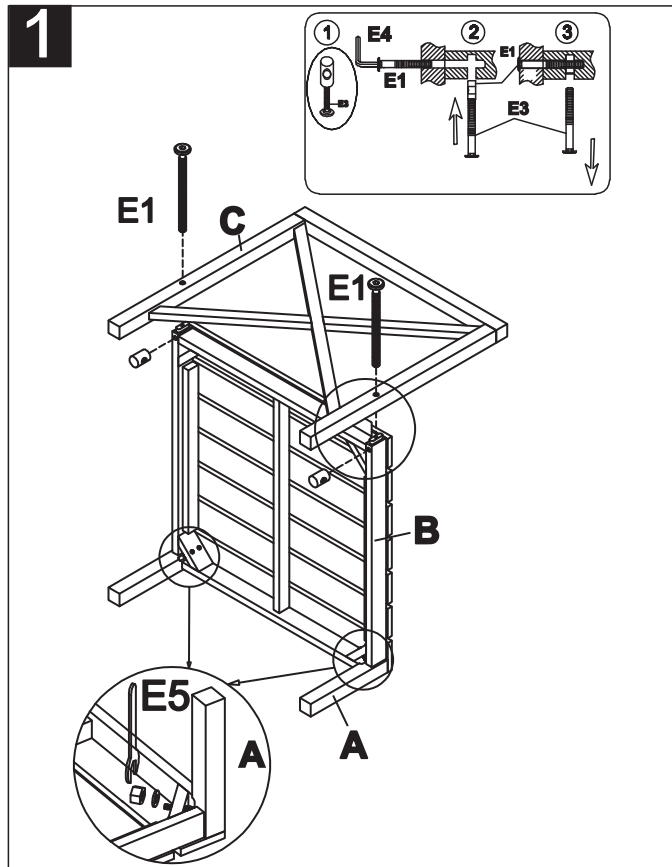
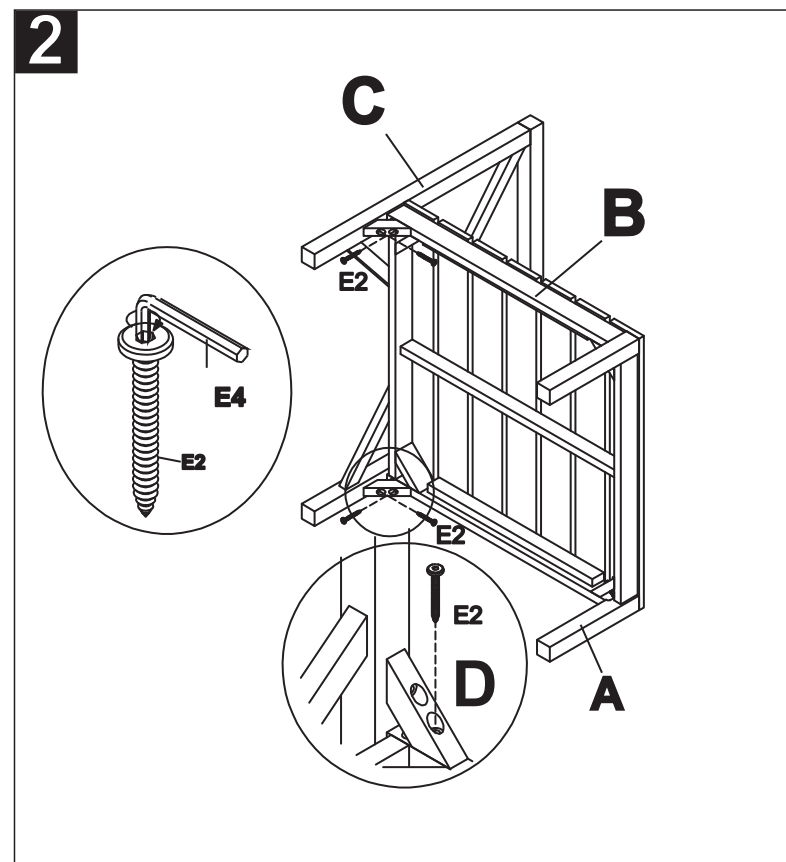


PREPARATION

Before beginning the assembly of the product, make sure all parts are present. Compare the parts with the package contents list and hardware contents list. If any parts are missing or damaged, do not attempt to assemble the product. Tool required for assembly (included): Allen Key and Wrench.



Step 1: attach the leg (A) and the back (C) to the seat (B) as shown on the picture. Then use the Allen Bolt (E1) and tighten it with the Allen Key (E4). Tighten the 2 legs (A) with the wrench(E5) as shown on the picture.



Step 2: attach the corner (D) to the chair by using the Allen screw (E2) and tighten on both sides with the Allen Key (E4) as shown on the picture.








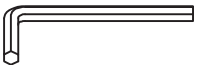

CARE AND MAINTENANCE

Store outdoor furniture indoors or cover well when it is not in use. Dust regularly with small brush or vacuum. Spills should be taken care of immediately before they harden or stain with a slightly dampened sponge.

NOTICE

Please make sure that you have all parts indicated before you begin assembly of this item.

Part List and Hardware List

PIECE	DESCRIPTION	PICTURE	QUANTITY
A	Leg		2 X
B	Seat		1 X
C	Back		1 X
D	Corner		2 X
E1	Allen Bolt	 M6x70	2 X
E2	Allen Screw	 M6x45	4 X
E3	Extra Bolt	 M6x50	1 X
E4	Allen Key		1 X
E5	Wrench		1 X

 **SAFAVIEH**
OUTDOOR LIVING

MODEL# PAT6713

Product Dimension: 25.59"W x 27.09"D x 26.77"H

