

# Use and Care Guide

Model #DH7199

## Carlotta Club Chair

**HOME**  
DECORATORS  
COLLECTION

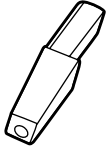
### PACKAGE CONTENTS



A – Bolt x 8  
8mm\*60mm



B – Washer x 8



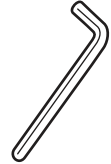
C – Front leg x 2



D – Back leg x 2



E – Dust cover x 1



F - Hex Wrench x 1

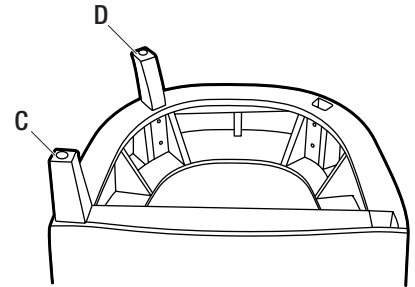
### Assembly

#### 1 PLANNING FOR ASSEMBLY

- Read all instructions before assembly.
- To avoid damaging this product, assemble it on a soft, non-abrasive surface such as carpet or cardboard.
- Compare all parts with the Package Contents list. If any parts are missing or damaged, do not assemble the chair. Contact Customer Service.

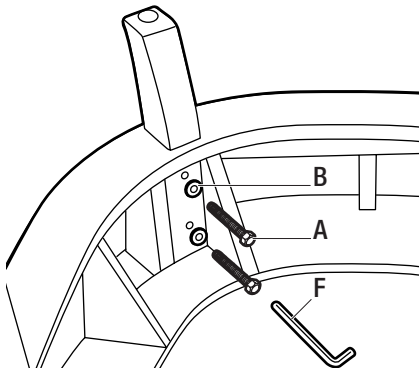
#### 2 INSERTING THE LEGS

- Carefully position the chair upside down on a clean, padded surface. Remove the black fabric bag underneath the chair. This bag contains the legs and necessary hardware.
- Place the two angled front legs (C) into the front leg holes in the chair. The front legs are interchangeable.
- Place the two curved back legs (D) into the back leg holes in the chair. The 'toe' of the legs point outward, away from the back of the chair. The back legs are interchangeable.



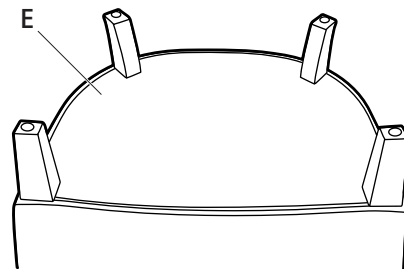
#### 3 SECURING THE LEGS

- Insert bolts (A) with washers (B) into each leg. Leave bolts loosened until all bolts are placed before tightening clockwise with the hex wrench (F).



#### 4 ATTACHING THE DUST COVER

- Remove the fabric protection strip from the Velcro strip along the bottom edges of the chair and place the dust cover (E) over the bottom of the chair.
- Turn the chair right side up. The chair is now ready for use.



### Care and Cleaning

- For best results, clean with a soft, slightly damp cloth.
- Do not clean with abrasive materials, bleach, or solvents.