

*If you have questions or comments, contact us.  
Pour toute question ou tout commentaire, nous contacter.  
Si tiene dudas o comentarios, contáctenos.*

**1-800-4-DEWALT • [www.dewalt.com](http://www.dewalt.com)**

**INSTRUCTION MANUAL  
GUIDE D'UTILISATION  
MANUAL DE INSTRUCCIONES**

INSTRUCTIVO DE OPERACIÓN, CENTROS DE SERVICIO Y PÓLIZA DE GARANTÍA. **ADVERTENCIA:** LÉASE ESTE INSTRUCTIVO ANTES DE USAR EL PRODUCTO.

# DEWALT®

**DCD990 20V Max\* Heavy-Duty 1/2" (13 mm) Brushless Cordless Drill/Driver**

**DCD995 20V Max\* Heavy-Duty 1/2" (13 mm) Brushless Cordless Drill/Driver/Hammerdrill**

**Perceuse/visseuse industrielle, sans fil et sans balai, DCD990 20v max\* 13 mm (1/2 po)**

**Perceuse/visseuse/perceuse à percussion industrielle, sans fil et sans balai, DCD995 20v max\* 13 mm (1/2 po)**

**DCD990 Taladro/destornillador inalámbrico sin escobillas de 20 V Max\* para trabajos pesados de 1/2" (13 mm)**

**DCD995 Taladro/destornillador/taladro percutor inalámbrico sin escobillas de 20 V Max\* para trabajos pesados de 1/2" (13 mm)**



### Definitions: Safety Guidelines

The definitions below describe the level of severity for each signal word. Please read the manual and pay attention to these symbols.

**⚠ DANGER:** Indicates an imminently hazardous situation which, if not avoided, **will** result in **death or serious injury**.

**⚠ WARNING:** Indicates a potentially hazardous situation which, if not avoided, **could** result in **death or serious injury**.

**⚠ CAUTION:** Indicates a potentially hazardous situation which, if not avoided, **may** result in **minor or moderate injury**.

**NOTICE:** Indicates a practice **not related to personal injury** which, if not avoided, **may** result in **property damage**.

IF YOU HAVE ANY QUESTIONS OR COMMENTS ABOUT THIS OR ANY DEWALT TOOL, CALL US TOLL FREE AT: **1-800-4-DEWALT (1-800-433-9258)**.



**WARNING:** To reduce the risk of injury, read the instruction manual.

### General Power Tool Safety Warnings



**WARNING! Read all safety warnings and all instructions.** Failure to follow the warnings and instructions may result in electric shock, fire and/or serious injury.

### SAVE ALL WARNINGS AND INSTRUCTIONS FOR FUTURE REFERENCE

The term "power tool" in the warnings refers to your mains-operated (corded) power tool or battery-operated (cordless) power tool.

#### 1) WORK AREA SAFETY

- a) **Keep work area clean and well lit.** Cluttered or dark areas invite accidents.
- b) **Do not operate power tools in explosive atmospheres, such as in the presence of flammable liquids, gases or dust.** Power tools create sparks which may ignite the dust or fumes.
- c) **Keep children and bystanders away while operating a power tool.** Distractions can cause you to lose control.

#### 2) ELECTRICAL SAFETY

- a) **Power tool plugs must match the outlet. Never modify the plug in any way. Do not use any adapter plugs with earthed (grounded) power tools.** Unmodified plugs and matching outlets will reduce risk of electric shock.
- b) **Avoid body contact with earthed or grounded surfaces such as pipes, radiators, ranges and refrigerators.** There is an increased risk of electric shock if your body is earthed or grounded.
- c) **Do not expose power tools to rain or wet conditions.** Water entering a power tool will increase the risk of electric shock.
- d) **Do not abuse the cord. Never use the cord for carrying, pulling or unplugging the power tool. Keep cord away from heat, oil, sharp edges or moving parts.** Damaged or entangled cords increase the risk of electric shock.
- e) **When operating a power tool outdoors, use an extension cord suitable for outdoor use.** Use of a cord suitable for outdoor use reduces the risk of electric shock.
- f) **If operating a power tool in a damp location is unavoidable, use a ground fault circuit interrupter (GFCI) protected supply.** Use of a GFCI reduces the risk of electric shock.

### 3) PERSONAL SAFETY

- a) **Stay alert, watch what you are doing and use common sense when operating a power tool. Do not use a power tool while you are tired or under the influence of drugs, alcohol or medication.** A moment of inattention while operating power tools may result in serious personal injury.
- b) **Use personal protective equipment. Always wear eye protection.** Protective equipment such as dust mask, non-skid safety shoes, hard hat, or hearing protection used for appropriate conditions will reduce personal injuries.
- c) **Prevent unintentional starting. Ensure the switch is in the off position before connecting to power source and/or battery pack, picking up or carrying the tool.** Carrying power tools with your finger on the switch or energizing power tools that have the switch on invites accidents.
- d) **Remove any adjusting key or wrench before turning the power tool on.** A wrench or a key left attached to a rotating part of the power tool may result in personal injury.
- e) **Do not overreach. Keep proper footing and balance at all times.** This enables better control of the power tool in unexpected situations.
- f) **Dress properly. Do not wear loose clothing or jewelry. Keep your hair, clothing and gloves away from moving parts.** Loose clothes, jewelry or long hair can be caught in moving parts.
- g) **If devices are provided for the connection of dust extraction and collection facilities, ensure these are connected and properly used.** Use of dust collection can reduce dust-related hazards.

### 4) POWER TOOL USE AND CARE

- a) **Do not force the power tool. Use the correct power tool for your application.** The correct power tool will do the job better and safer at the rate for which it was designed.

- b) **Do not use the power tool if the switch does not turn it on and off.** Any power tool that cannot be controlled with the switch is dangerous and must be repaired.
- c) **Disconnect the plug from the power source and/or the battery pack from the power tool before making any adjustments, changing accessories, or storing power tools.** Such preventive safety measures reduce the risk of starting the power tool accidentally.
- d) **Store idle power tools out of the reach of children and do not allow persons unfamiliar with the power tool or these instructions to operate the power tool.** Power tools are dangerous in the hands of untrained users.
- e) **Maintain power tools. Check for misalignment or binding of moving parts, breakage of parts and any other condition that may affect the power tool's operation. If damaged, have the power tool repaired before use.** Many accidents are caused by poorly maintained power tools.
- f) **Keep cutting tools sharp and clean.** Properly maintained cutting tools with sharp cutting edges are less likely to bind and are easier to control.
- g) **Use the power tool, accessories and tool bits, etc. in accordance with these instructions, taking into account the working conditions and the work to be performed.** Use of the power tool for operations different from those intended could result in a hazardous situation.

### 5) BATTERY TOOL USE AND CARE

- a) **Recharge only with the charger specified by the manufacturer.** A charger that is suitable for one type of battery pack may create a risk of fire when used with another battery pack.
- b) **Use power tools only with specifically designated battery packs.** Use of any other battery packs may create a risk of injury and fire.

- c) **When battery pack is not in use, keep it away from other metal objects, like paper clips, coins, keys, nails, screws, or other small metal objects, that can make a connection from one terminal to another.** Shorting the battery terminals together may cause burns or a fire.
- d) **Under abusive conditions, liquid may be ejected from the battery; avoid contact. If contact accidentally occurs, flush with water. If liquid contacts eyes, additionally seek medical help.** Liquid ejected from the battery may cause irritation or burns.
- 6) **SERVICE**
- a) **Have your power tool serviced by a qualified repair person using only identical replacement parts.** This will ensure that the safety of the power tool is maintained.

### **Drill/Driver/Hammerdrill Safety Warnings**

- **Wear ear protectors when impact drilling.** Exposure to noise can cause hearing loss.
- **Use auxiliary handle(s), if supplied with the tool.** Loss of control can cause personal injury.
- **Hold power tool by insulated gripping surfaces, when performing an operation where the cutting accessory may contact hidden wiring.** Cutting accessory contacting a "live" wire may make exposed metal parts of the power tool "live" and could give the operator an electric shock.
- **Use clamps or other practical way to secure and support the workpiece to a stable platform.** Holding the work by hand or against your body is unstable and may lead to loss of control.
- **Wear safety goggles or other eye protection.** Hammering and drilling operations cause chips to fly. Flying particles can cause permanent eye damage.
- **Always use the side handle supplied with the tool. Keep a firm grip on the tool at all times. Do not attempt to operate**

**this tool without holding it with both hands.** Operating this tool with one hand will result in loss of control. Breaking through or encountering hard materials such as re-bar may be hazardous as well.

- **Accessories and tool may get hot during operation.** Wear gloves when handling them if performing heat producing applications such as hammerdrilling and drilling metals.
- **Do not operate this tool for long periods of time.** Vibration caused by hammer action may be harmful to your hands and arms. Use gloves to provide extra cushion and limit exposure by taking frequent rest periods.
- **Air vents often cover moving parts and should be avoided.** Loose clothes, jewelry or long hair can be caught in moving parts.

**⚠ WARNING: ALWAYS** use safety glasses. Everyday eyeglasses are NOT safety glasses. Also use face or dust mask if cutting operation is dusty. **ALWAYS WEAR CERTIFIED SAFETY EQUIPMENT:**

- ANSI Z87.1 eye protection (CAN/CSA Z94.3),
- ANSI S12.6 (S3.19) hearing protection,
- NIOSH/OSHA/MSHA respiratory protection.

**⚠ WARNING:** Some dust created by power sanding, sawing, grinding, drilling, and other construction activities contains chemicals known to the State of California to cause cancer, birth defects or other reproductive harm. Some examples of these chemicals are:

- lead from lead-based paints,
- crystalline silica from bricks and cement and other masonry products, and
- arsenic and chromium from chemically-treated lumber.

Your risk from these exposures varies, depending on how often you do this type of work. To reduce your exposure to these chemicals: work in a well ventilated area, and work with approved safety equipment, such as those dust masks that are specially designed to filter out microscopic particles.

- **Avoid prolonged contact with dust from power sanding, sawing, grinding, drilling, and other construction activities. Wear protective clothing and wash exposed areas with soap and water.** Allowing dust to get into your mouth, eyes, or lay on the skin may promote absorption of harmful chemicals.

**⚠ WARNING:** Use of this tool can generate and/or disperse dust, which may cause serious and permanent respiratory or other injury. Always use NIOSH/OSHA approved respiratory protection appropriate for the dust exposure. Direct particles away from face and body.

**⚠ WARNING:** Always wear proper personal hearing protection that conforms to ANSI S12.6 (S3.19) during use. Under some conditions and duration of use, noise from this product may contribute to hearing loss.

**⚠ CAUTION:** When not in use, place tool on its side on a stable surface where it will not cause a tripping or falling hazard. Some tools with large battery packs will stand upright on the battery pack but may be easily knocked over.

- The label on your tool may include the following symbols. The symbols and their definitions are as follows:

V..... volts	A..... amperes
Hz..... hertz	W..... watts
min ..... minutes	~ or AC..... alternating
— or DC... direct current	current
⚠..... Class I Construction (grounded)	⚡ or AC/DC... alternating or direct current
□..... Class II Construction (double insulated)	n <sub>o</sub> ..... no load speed
.../min ..... per minute	n ..... rated speed
BPM..... beats per minute	
IPM..... impacts per minute	

RPM..... revolutions per minute	⊖..... earthing terminal
sfpm..... surface feet per minute	⚠..... safety alert symbol
SPM..... strokes per minute	

## Important Safety Instructions for All Battery Packs

When ordering replacement battery packs, be sure to include the catalog number and voltage. Consult the chart at the end of this manual for compatibility of chargers and battery packs.

The battery pack is not fully charged out of the carton. Before using the battery pack and charger, read the safety instructions below and then follow charging procedures outlined.

### READ ALL INSTRUCTIONS

- **Do not charge or use the battery pack in explosive atmospheres, such as in the presence of flammable liquids, gases or dust.** Inserting or removing the battery pack from the charger may ignite the dust or fumes.
- **NEVER force the battery pack into the charger. DO NOT modify the battery pack in any way to fit into a non-compatible charger as battery pack may rupture causing serious personal injury.** Consult the chart at the end of this manual for compatibility of batteries and chargers.
- Charge the battery packs only in designated DEWALT chargers.
- **DO NOT** splash or immerse in water or other liquids.
- **Do not store or use the tool and battery pack in locations where the temperature may reach or exceed 105 °F (40 °C) (such as outside sheds or metal buildings in summer).** For best life store battery packs in a cool, dry location.

**NOTE: Do not store the battery packs in a tool with the trigger switch locked on. Never tape the trigger switch in the ON position.**

**⚠ WARNING: Fire hazard.** Never attempt to open the battery pack for any reason. If the battery pack case is cracked or damaged, do not insert into the charger. Do not crush, drop or damage the battery pack. Do not use a battery pack or charger that has received a sharp blow, been dropped, run over or damaged in any way (e.g., pierced with a nail, hit with a hammer, stepped on). Damaged battery packs should be returned to the service center for recycling.

**⚠ WARNING: Fire hazard. Do not store or carry the battery pack so that metal objects can contact exposed battery terminals.** For example, do not place the battery pack in aprons, pockets, tool boxes, product kit boxes, drawers, etc., with loose nails, screws, keys, etc. **Transporting batteries can possibly cause fires if the battery terminals inadvertently come in contact with conductive materials such as keys, coins, hand tools and the like.** The US Department of Transportation Hazardous Material Regulations (HMR) actually prohibit transporting batteries in commerce or on airplanes (e.g., packed in suitcases and carry-on luggage) UNLESS they are properly protected from short circuits. So when transporting individual battery packs, make sure that the battery terminals are protected and well insulated from materials that could contact them and cause a short circuit.

#### **SPECIFIC SAFETY INSTRUCTIONS FOR LITHIUM ION (Li-Ion)**

- **Do not incinerate the battery pack even if it is severely damaged or is completely worn out.** The battery pack can explode in a fire. Toxic fumes and materials are created when lithium ion battery packs are burned.
- **If battery contents come into contact with the skin, immediately wash area with mild soap and water.** If battery liquid gets into the eye, rinse water over the open eye for 15 minutes or until irritation ceases. If medical attention is needed, the battery

electrolyte is composed of a mixture of liquid organic carbonates and lithium salts.

- **Contents of opened battery cells may cause respiratory irritation.** Provide fresh air. If symptoms persist, seek medical attention.

**⚠ WARNING: Burn hazard.** Battery liquid may be flammable if exposed to spark or flame.

#### **The RBRC™ Seal**

The RBRC™ (Rechargeable Battery Recycling Corporation) Seal on the nickel cadmium, nickel metal hydride or lithium ion batteries (or battery packs) indicate that the costs to recycle these batteries (or battery packs) at the end of their useful life have already been paid by DEWALT. In some areas, it is illegal to place spent nickel cadmium, nickel metal hydride or lithium ion batteries in the trash or municipal solid waste stream and the RBRC program provides an environmentally conscious alternative.

RBRC™, in cooperation with DEWALT and other battery users, has established programs in the United States and Canada to facilitate the collection of spent nickel cadmium, nickel metal hydride or lithium ion batteries. Help protect our environment and conserve natural resources by returning the spent nickel cadmium, nickel metal hydride or lithium ion batteries to an authorized DEWALT service center or to your local retailer for recycling. You may also contact your local recycling center for information on where to drop off the spent battery.

RBRC™ is a registered trademark of the *Rechargeable Battery Recycling Corporation*.

#### **Important Safety Instructions for All Battery Chargers**

**SAVE THESE INSTRUCTIONS:** This manual contains important safety and operating instructions for battery chargers.



- Before using the charger, read all instructions and cautionary markings on the charger, battery pack and product using the battery pack.

**⚠WARNING:** Shock hazard. Do not allow any liquid to get inside the charger. Electric shock may result.

**⚠CAUTION:** Burn hazard. To reduce the risk of injury, charge only DEWALT rechargeable battery packs. Other types of batteries may overheat and burst resulting in personal injury and property damage.

**NOTICE:** Under certain conditions, with the charger plugged into the power supply, the charger can be shorted by foreign material. Foreign materials of a conductive nature, such as, but not limited to, grinding dust, metal chips, steel wool, aluminum foil or any buildup of metallic particles should be kept away from the charger cavities. Always unplug the charger from the power supply when there is no battery pack in the cavity. Unplug the charger before attempting to clean.

- **DO NOT attempt to charge the battery pack with any chargers other than the ones in this manual.** The charger and battery pack are specifically designed to work together.
- **These chargers are not intended for any uses other than charging DEWALT rechargeable batteries.** Any other uses may result in risk of fire, electric shock or electrocution.
- **Do not expose the charger to rain or snow.**
- **Pull by the plug rather than the cord when disconnecting the charger.** This will reduce the risk of damage to the electric plug and cord.
- **Make sure that the cord is located so that it will not be stepped on, tripped over or otherwise subjected to damage or stress.**
- **Do not use an extension cord unless it is absolutely necessary.** Use of improper extension cord could result in risk of fire, electric shock or electrocution.

- **When operating a charger outdoors, always provide a dry location and use an extension cord suitable for outdoor use.** Use of a cord suitable for outdoor use reduces the risk of electric shock.
- **An extension cord must have adequate wire size (AWG or American Wire Gauge) for safety.** The smaller the gauge number of the wire, the greater the capacity of the cable, that is, 16 gauge has more capacity than 18 gauge. An undersized cord will cause a drop in line voltage resulting in loss of power and overheating. When using more than one extension to make up the total length, be sure each individual extension contains at least the minimum wire size. The following table shows the correct size to use depending on cord length and nameplate ampere rating. If in doubt, use the next heavier gauge. The lower the gauge number, the heavier the cord.

Minimum Gauge for Cord Sets						
Ampere Rating		Volts	Total Length of Cord in Feet (meters)			
		120 V	25 (7.6)	50 (15.2)	100 (30.5)	150 (45.7)
			240 V	50 (15.2)	100 (30.5)	200 (61.0)
More Than	Not More Than	AWG				
0	6		18	16	16	14
6	10		18	16	14	12
10	12		16	16	14	12
12	16		14	12	Not Recommended	

- **Do not place any object on top of the charger or place the charger on a soft surface that might block the ventilation slots and result in excessive internal heat.** Place the charger



in a position away from any heat source. The charger is ventilated through slots in the top and the bottom of the housing.

- **Do not operate the charger with a damaged cord or plug.**
- **Do not operate the charger if it has received a sharp blow, been dropped or otherwise damaged in any way.** Take it to an authorized service center.
- **Do not disassemble the charger; take it to an authorized service center when service or repair is required.** Incorrect reassembly may result in a risk of electric shock, electrocution or fire.
- **Disconnect the charger from the outlet before attempting any cleaning. This will reduce the risk of electric shock.** Removing the battery pack will not reduce this risk.
- **NEVER** attempt to connect 2 chargers together.
- **The charger is designed to operate on standard 120V household electrical power. Do not attempt to use it on any other voltage.** This does not apply to the vehicular charger.

### Chargers

Your tool uses a DEWALT charger. Be sure to read all safety instructions before using your charger. Consult the chart at the end of this manual for compatibility of chargers and battery packs.

### Charging Procedure (Fig. 1)

1. Plug the charger into an appropriate outlet before inserting the battery pack.
2. Insert the battery pack (H) into the charger, as shown in Figure 1, making sure the pack is fully seated in charger. The red (charging) light will blink continuously, indicating that the charging process has started.



FIG. 1

3. The completion of charge will be indicated by the red light remaining ON continuously. The pack is fully charged and may be used at this time or left in the charger.

### Indicator Light Operation

	PACK CHARGING	— — — — —
	PACK CHARGED	—————
	HOT/COLD DELAY	—● —● —● —●
	PROBLEM PACK OR CHARGER	●●●●●●●●
	PROBLEM POWERLINE	●● ●● ●● ●●

### Charge Indicators

This charger is designed to detect certain problems that can arise. Problems are indicated by the red light flashing at a fast rate. If this occurs, re-insert the battery pack into the charger. If the problem persists, try a different battery pack to determine if the charger is working properly. If the new pack charges correctly, then the original pack is defective and should be returned to a service center or other collection site for recycling. If the new battery pack elicits the same trouble indication as the original, have the charger and the battery pack tested at an authorized service center.

#### HOT/COLD DELAY

This charger has a hot/cold delay feature: when the charger detects a battery that is hot, it automatically starts a delay, suspending charging until the battery has cooled. After the battery has cooled, the charger automatically switches to the pack charging mode. This feature ensures maximum battery life. The red light flashes long, then short while in the hot/cold delay mode.

**LEAVING THE BATTERY PACK IN THE CHARGER**

The charger and battery pack can be left connected with the charge indicator showing Pack Charged.

**WEAK BATTERY PACKS:** Weak batteries will continue to function but should not be expected to perform as much work.

**FAULTY BATTERY PACKS:** This charger will not charge a faulty battery pack. The charger will indicate faulty battery pack by refusing to light or by displaying problem pack or charger.

**NOTE:** This could also mean a problem with a charger.

**PROBLEM POWER LINE**

Some chargers have a Problem Power Line indicator. When the charger is used with some portable power sources such as generators or sources that convert DC to AC, the charger may temporarily suspend operation, flashing the red light with two fast blinks followed by a pause. This indicates the power source is out of limits.

**Important Charging Notes**

1. Longest life and best performance can be obtained if the battery pack is charged when the air temperature is between 65 °F and 75 °F (18°–24 °C). DO NOT charge the battery pack in an air temperature below +40 °F (+4.5 °C), or above +105 °F (+40.5 °C). This is important and will prevent serious damage to the battery pack.
2. The charger and battery pack may become warm to the touch while charging. This is a normal condition, and does not indicate a problem. To facilitate the cooling of the battery pack after use, avoid placing the charger or battery pack in a warm environment such as in a metal shed or an uninsulated trailer.
3. A cold battery pack will charge at about half the rate of a warm battery pack. The battery pack will charge at that slower rate throughout the entire charging cycle and will not return to maximum charge rate even if the battery pack warms.

4. If the battery pack does not charge properly:
  - a. Check operation of receptacle by plugging in a lamp or other appliance;
  - b. Check to see if receptacle is connected to a light switch which turns power off when you turn out the lights;
  - c. Move the charger and battery pack to a location where the surrounding air temperature is approximately 65 °F–75 °F (18°–24 °C);
  - d. If charging problems persist, take the tool, battery pack and charger to your local service center.
5. The battery pack should be recharged when it fails to produce sufficient power on jobs which were easily done previously. DO NOT CONTINUE to use under these conditions. Follow the charging procedure. You may also charge a partially used pack whenever you desire with no adverse effect on the battery pack.
6. Foreign materials of a conductive nature such as, but not limited to, grinding dust, metal chips, steel wool, aluminum foil, or any buildup of metallic particles should be kept away from charger cavities. Always unplug the charger from the power supply when there is no battery pack in the cavity. Unplug the charger before attempting to clean.
7. Do not freeze or immerse the charger in water or any other liquid.

**⚠ WARNING:** Shock hazard. Don't allow any liquid to get inside the charger. Electric shock may result.

**⚠ WARNING:** Burn hazard. Do not submerge the battery pack in any liquid or allow any liquid to enter the battery pack. Never attempt to open the battery pack for any reason. If the plastic housing of the battery pack breaks or cracks, return to a service center for recycling.

**Storage Recommendations**

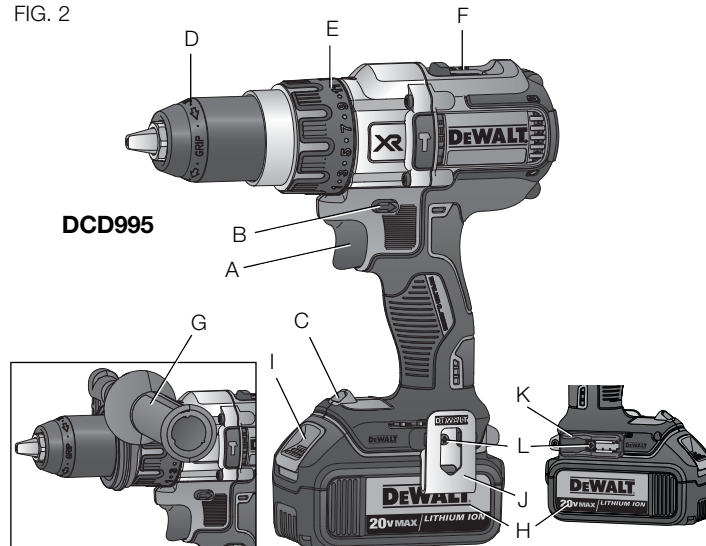
1. The best storage place is one that is cool and dry, away from direct sunlight and excess heat or cold.

2. For long storage, it is recommended to store a fully charged battery pack in a cool dry place out of the charger for optimal results.

**NOTE:** Battery packs should not be stored completely depleted of charge. The battery pack will need to be recharged before use.

### SAVE THESE INSTRUCTIONS FOR FUTURE USE

FIG. 2



### COMPONENTS (FIG. 2)

**⚠ WARNING:** Never modify the power tool or any part of it. Damage or personal injury could result.

- |                                   |                           |
|-----------------------------------|---------------------------|
| A. Trigger switch                 | G. Side handle            |
| B. Forward/reverse control button | H. Battery pack           |
| C. Worklight                      | I. Battery release button |
| D. Chuck                          | J. Belt hook              |
| E. Torque adjustment collar       | K. Bit clip               |
| F. Gear shifter                   | L. Screw                  |

### Variable Speed Trigger Switch (Fig. 2)

To turn the tool on, squeeze the trigger switch (A). To turn the tool off, release the trigger switch. Your tool is equipped with a brake. The chuck will stop as soon as the trigger switch is fully released.

**NOTE:** Continuous use in variable speed range is not recommended. It may damage the switch and should be avoided.

### Side Handle (Fig. 2)

**⚠ WARNING:** To reduce the risk of personal injury, **ALWAYS** operate the tool with the side handle properly installed. Failure to do so may result in the side handle slipping during tool operation and subsequent loss of control. Hold tool with both hands to maximize control.

Side handle (G) clamps to the front of the gear case and may be rotated 360° to permit right- or left-hand use. Side handle must be tightened sufficiently to resist the twisting action of the tool if the accessory binds or stalls. Be sure to grip the side handle at the far end to control the tool during a stall.

If model is not equipped with side handle, grip drill with one hand on the handle and one hand on the battery pack.

**NOTE:** Side handle comes equipped on both models.

### Forward/Reverse Control Button (Fig. 2)

A forward/reverse control button (B) determines the direction of the tool and also serves as a lock-off button.

To select forward rotation, release the trigger switch and depress the forward/reverse control button on the right side of the tool.

To select reverse, release the trigger switch and depress the forward/reverse control button on the left side of the tool.

The center position of the control button locks the tool in the OFF position. When changing the position of the control button, be sure the trigger is released.

**NOTE:** The first time the tool is run after changing the direction of rotation, you may hear a click on start up. This is normal and does not indicate a problem.

### Worklight (Fig. 2)

There is a worklight (C) located on the foot of the tool. The worklight is activated when the trigger switch is depressed, and will automatically turn off 20 seconds after the trigger switch is released. If the trigger switch remains depressed, the worklight will remain on.

**NOTE:** The worklight is for lighting the immediate work surface and is not intended to be used as a flashlight.

### Torque Adjustment Collar/Electronic Clutch (Fig. 3-5)

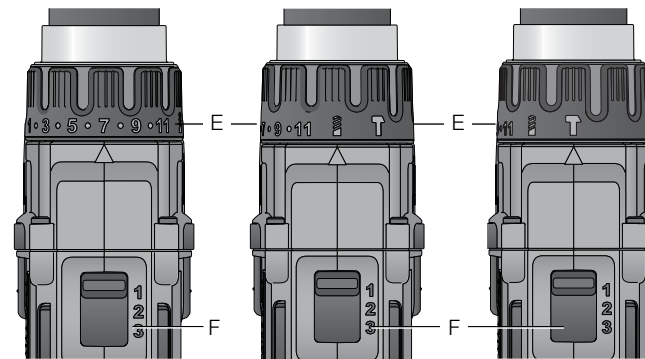
Your tool has an electronic adjustable torque screwdriver system for driving and removing a wide array of fasteners. Circling the torque adjustment collar (E) are numbers. These numbers are used to set the clutch to deliver a torque range. The higher the number on the collar, the higher the torque and the larger the fastener that can be driven. To select any of the numbers, rotate until the desired number aligns with the arrow.

**⚠WARNING:** When the torque adjustment collar is in the drill or hammerdrill positions, the drill will not clutch. The drill may stall if overloaded, causing a sudden twist.

FIG. 3

FIG. 4

FIG. 5



### Three-Speed Gearing (Fig. 3-5)

The three-speed feature of your tool allows you to shift gears for greater versatility. To select speed 1 (highest torque setting), turn the tool off and permit it to stop. Slide the gear shifter (F) all the way forward. Speed 2 (middle torque and speed setting) is in the middle position. Speed 3 (highest speed setting) is to the rear.

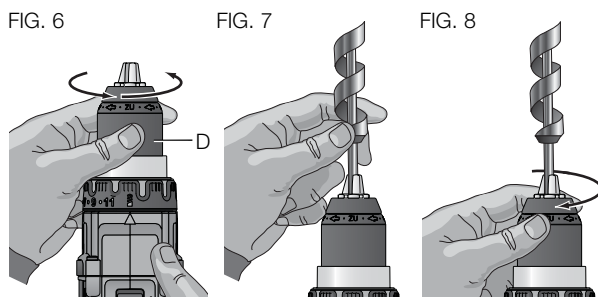
**NOTE:** Do not change gears when the tool is running. Always allow the drill to come to a complete stop before changing gears. If you have trouble changing gears, depress and release the trigger switch and try again.

### Keyless Single Sleeve Chuck (Fig. 6-8)

**⚠WARNING:** Do not attempt to tighten drill bits (or any other accessory) by gripping the front part of the chuck and turning the

tool on. Damage to the chuck and personal injury may result. Always lock off trigger switch and disconnect tool from power source when changing accessories.

**⚠ WARNING:** Always ensure the bit is secure before starting the tool. A loose bit may eject from tool causing possible personal injury. Your tool features a keyless chuck with one rotating sleeve for one-handed operation of the chuck. To insert a drill bit or other accessory, follow these steps.



1. Turn tool off and disconnect tool from power source.
2. Grasp the black sleeve of the chuck (D) with one hand and use the other hand to secure the tool as shown in Figure 6. Rotate the sleeve counterclockwise (as viewed from the front) far enough to accept the desired accessory.
3. Insert the accessory about 3/4" (19 mm) into the chuck and tighten securely by rotating the chuck sleeve clockwise with one hand while holding the tool with the other hand. Continue to rotate the chuck sleeve until several ratchet clicks are heard to ensure full gripping power.

Be sure to tighten chuck with one hand on the chuck sleeve and one hand holding the tool for maximum tightness.

To release the accessory, repeat Steps 1 and 2 above.

### **Belt Hook and Bit Clip (Fig. 2)**

**⚠ WARNING:** To reduce the risk of serious personal injury, **DO NOT** suspend tool overhead or suspend objects from the belt hook. **ONLY** hang tool's belt hook from a work belt.

**⚠ WARNING:** To reduce the risk of serious personal injury, **ensure the screw holding the belt hook is secure.**

**IMPORTANT:** When attaching or replacing the belt hook (J) or bit clip (K), use only the screw (L) that is provided. Be sure to securely tighten the screw.

The belt hook (J) and bit clip (K) can be attached to either side of the tool using only the screw (L) provided, to accommodate left- or right-handed users. If the hook or bit clip is not desired at all, it can be removed from the tool.

To move belt hook or bit clip, remove the screw (L) that holds it in place then reassemble on the opposite side. Be sure to securely tighten the screw.

### **OPERATION**

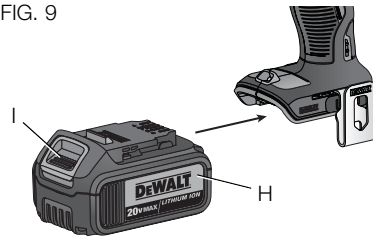
**⚠ WARNING:** To reduce the risk of serious personal injury, **place the forward/reverse button in the lock-off position or turn tool off and disconnect battery pack before making any adjustments or removing/installing attachments or accessories.** An accidental start-up can cause injury.

### **Installing and Removing the Battery Pack (Fig. 9)**

**NOTE:** For best results, make sure your battery pack is fully charged. To install the battery pack (H) into the tool handle, align the battery pack with the rails inside the tool's handle and slide it into the handle until the battery pack is firmly seated in the tool and ensure that it does not disengage.

To remove the battery pack from the tool, press the release button (I) and firmly pull the battery pack out of the tool handle. Insert it into the charger as described in the charger section of this manual.

FIG. 9

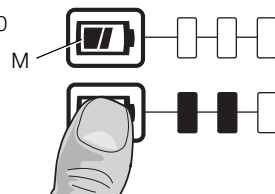


### FUEL GAUGE BATTERY PACKS (FIG. 10)

Some DEWALT battery packs include a fuel gauge which consists of three green LED lights that indicate the level of charge remaining in the battery pack.

To actuate the fuel gauge, press and hold the fuel gauge button (M). A combination of the three green LED lights will illuminate designating the level of charge left. When the level of charge in the battery is below the usable limit, the fuel gauge will not illuminate and the battery will need to be recharged.

FIG. 10



**NOTE:** The fuel gauge is only an indication of the charge left on the battery pack. It does not indicate tool functionality and is subject to variation based on product components, temperature and end-user application.

For more information regarding fuel gauge battery packs, please call 1-800-4-DEWALT (1-800-433-9258) or visit our website [www.dewalt.com](http://www.dewalt.com).

### Screwdriving (Fig. 3)

1. Select the desired speed/torque range using the gear shifter to match the speed and torque to the planned operation.
2. Turn the torque adjustment collar (E) to the desired position.

**NOTE:** Use the lowest torque setting required to seat the fastener at the desired depth. The lower the number, the lower the torque output.

3. Insert the desired fastener accessory into the chuck as you would any drill bit.
4. Make some practice runs in scrap or on unseen areas of the workpiece to determine the proper position of the torque adjustment collar.
5. Always start with lower torque settings, then advance to higher torque settings to avoid damage to the workpiece or fastener.

**NOTE:** When torque is achieved in screwdriving mode, the unit will automatically shut off with a set of short pulses.

### Drilling (Fig. 4)

**NOTICE:** If drilling thin material, use a wood "back-up" block to prevent damage to the material.

1. Select the desired speed/torque range using the gear shifter to match the speed and torque to the planned operation. Turn the collar (E) to the drill symbol.

2. Use sharp drill bits only. For MASONRY, such as brick, cement, cinder block, etc., use carbide-tipped bits rated for percussion drilling.
3. Always apply pressure in a straight line with the bit. Use enough pressure to keep drill biting, but do not push hard enough to stall the motor or deflect the bit.
4. Hold tool firmly with both hands to control the twisting action of the drill. If model is not equipped with side handle, grip drill with one hand on the handle and one hand on the battery pack.

**⚠ WARNING:** *Drill may stall if overloaded causing a sudden twist. Always expect the stall. Grip the drill firmly to control the twisting action and avoid injury.*

5. **IF DRILL STALLS**, it is usually because it is being overloaded or improperly used. **RELEASE TRIGGER IMMEDIATELY**, remove drill bit from work, and determine cause of stalling. **DO NOT DEPRESS TRIGGER ON AND OFF IN AN ATTEMPT TO START A STALLED DRILL – THIS CAN DAMAGE THE DRILL.**
6. To minimize stalling or breaking through the material, reduce pressure on drill and ease the bit through the last fractional part of the hole.
7. Keep the motor running when pulling the bit back out of a drilled hole. This will help prevent jamming.

### **Hammerdrilling (Fig. 5)**

1. Select the desired speed/torque range using the gear shifter to match the speed and torque to the planned operation. Turn the collar (E) to the hammerdrill symbol.  
**IMPORTANT:** Use carbide-tipped or masonry bits rated for percussion drilling only.
2. Drill with just enough force on the hammer to keep it from bouncing excessively or "rising" off the bit. Too much force will cause slower drilling speeds, overheating, and a lower drilling rate.

3. Drill straight, keeping the bit at a right angle to the work. Do not exert side pressure on the bit when drilling as this will cause clogging of the bit flutes and a slower drilling speed.
4. When drilling deep holes, if the hammer speed starts to drop off, pull the bit partially out of the hole with tool still running to help clear debris from the hole.

**NOTE:** A smooth, even flow of dust from the hole indicates proper drilling rate.

### **MAINTENANCE**

**⚠ WARNING:** *To reduce the risk of serious personal injury, place the forward/reverse button in the lock-off position or turn tool off and disconnect battery pack before making any adjustments or removing/installing attachments or accessories. An accidental start-up can cause injury.*

### **Cleaning**

**⚠ WARNING:** *Blow dirt and dust out of all air vents with clean, dry air at least once a week. To minimize the risk of eye injury, always wear ANSI Z87.1 approved eye protection when performing this.*

**⚠ WARNING:** *Never use solvents or other harsh chemicals for cleaning the non-metallic parts of the tool. These chemicals may weaken the plastic materials used in these parts. Use a cloth dampened only with water and mild soap. Never let any liquid get inside the tool; never immerse any part of the tool into a liquid.*

### **CHARGER CLEANING INSTRUCTIONS**

**⚠ WARNING:** *Shock hazard. Disconnect the charger from the AC outlet before cleaning. Dirt and grease may be removed from the exterior of the charger using a cloth or soft non-metallic brush. Do not use water or any cleaning solutions.*

## Accessories

**⚠WARNING:** Since accessories, other than those offered by DEWALT, have not been tested with this product, use of such accessories with this tool could be hazardous. To reduce the risk of injury, only DEWALT recommended accessories should be used with this product.

Recommended accessories for use with your tool are available at extra cost from your local service center. If you need any assistance in locating any accessory, please contact DEWALT Industrial Tool Co., 701 East Joppa Road, Baltimore, MD 21286, call 1-800-4-DEWALT (1-800-433-9258) or visit our website: [www.dewalt.com](http://www.dewalt.com).

MAXIMUM RECOMMENDED CAPACITIES		
	DCD990	DCD995
<b>WOOD</b>		
Auger	1-1/4" (32 mm)	1-1/4" (32 mm)
Paddle	1-1/2" (38 mm)	1-1/2" (38 mm)
Twist	1/2" (13 mm)	1/2" (13 mm)
Self-feed	2-9/16" (65 mm)	2-9/16" (65 mm)
Hole saw	4" (100 mm)	4" (100 mm)
<b>METAL</b>		
Twist	1/2" (13 mm)	1/2" (13 mm)
Hole saw	1-3/8" (35 mm)	1-3/8" (35 mm)
<b>MASONRY</b>		
Carbide	–	1/2" (13 mm)

## Repairs

The charger and battery pack are not serviceable. There are no serviceable parts inside the charger or battery pack.

To assure product SAFETY and RELIABILITY, repairs, maintenance and adjustments should be performed by a DEWALT factory service center, a DEWALT authorized service center or other qualified service personnel. Always use identical replacement parts.

## Register Online

Thank you for your purchase. Register your product now for:

- **WARRANTY SERVICE:** Registering your product will help you obtain more efficient warranty service in case there is a problem with your product.
- **CONFIRMATION OF OWNERSHIP:** In case of an insurance loss, such as fire, flood or theft, your registration of ownership will serve as your proof of purchase.
- **FOR YOUR SAFETY:** Registering your product will allow us to contact you in the unlikely event a safety notification is required under the Federal Consumer Safety Act.

Register online at [www.dewalt.com/register](http://www.dewalt.com/register).

## Three Year Limited Warranty

DEWALT will repair, without charge, any defects due to faulty materials or workmanship for three years from the date of purchase. This warranty does not cover part failure due to normal wear or tool abuse. For further detail of warranty coverage and warranty repair information, visit [www.dewalt.com](http://www.dewalt.com) or call 1-800-4-DEWALT (1-800-433-9258). This warranty does not apply to accessories or damage caused where repairs have been made or attempted by others. This warranty gives you specific legal rights and you may have other rights which vary in certain states or provinces.



In addition to the warranty, DEWALT tools are covered by our:

**1 YEAR FREE SERVICE**

DEWALT will maintain the tool and replace worn parts caused by normal use, for free, any time during the first year after purchase.

**2 YEARS FREE SERVICE ON DEWALT BATTERY PACKS**

DC9071, DC9091, DC9096, DC9280, DC9360, DC9180, DCB120, DCB201 and DCB203

**3 YEARS FREE SERVICE ON DEWALT BATTERY PACKS**

DCB200, DCB204

**DEWALT BATTERY PACKS**

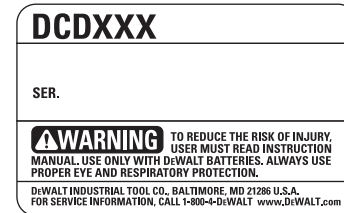
Product warranty voided if the battery pack is tampered with in any way. DEWALT is not responsible for any injury caused by tampering and may prosecute warranty fraud to the fullest extent permitted by law.

**90 DAY MONEY BACK GUARANTEE**

If you are not completely satisfied with the performance of your DEWALT Power Tool, Laser, or Nailer for any reason, you can return it within 90 days from the date of purchase with a receipt for a full refund – no questions asked.

**LATIN AMERICA:** This warranty does not apply to products sold in Latin America. For products sold in Latin America, see country specific warranty information contained in the packaging, call the local company or see website for warranty information.

**FREE WARNING LABEL REPLACEMENT:** If your warning labels become illegible or are missing, call 1-800-4-DEWALT (1-800-433-9258) for a free replacement.



English

### Définitions : lignes directrices en matière de sécurité

Les définitions ci-dessous décrivent le niveau de danger pour chaque mot-indicateur employé. Lire le mode d'emploi et porter une attention particulière à ces symboles.

**⚠ DANGER** : indique une situation dangereuse imminente qui, si elle n'est pas évitée, **entraînera la mort ou des blessures graves**.

**⚠ AVERTISSEMENT** : indique une situation potentiellement dangereuse qui, si elle n'est pas évitée, **pourrait entraîner la mort ou des blessures graves**.

**⚠ ATTENTION** : indique une situation potentiellement dangereuse qui, si elle n'est pas évitée, **pourrait entraîner des blessures légères ou modérées**.

**AVIS** : indique une pratique ne posant **aucun risque de dommages corporels** mais qui par contre, si rien n'est fait pour l'éviter, **pourrait poser des risques de dommages matériels**.

POUR TOUTE QUESTION OU REMARQUE AU SUJET DE CET OUTIL OU DE TOUT AUTRE OUTIL DEWALT, COMPOSEZ LE NUMÉRO SANS FRAIS : 1-800-4-DEWALT (1-800-433-9258).



**AVERTISSEMENT** : afin de réduire le risque de blessures, lire le mode d'emploi de l'outil.

### Avertissements de sécurité généraux pour les outils électriques



**AVERTISSEMENT!** lire tous les avertissements de sécurité et toutes les directives. Le non-respect des

avertissements et des directives pourrait se solder par un choc électrique, un incendie et/ou une blessure grave.

### CONSERVER TOUS LES AVERTISSEMENTS ET TOUTES LES DIRECTIVES POUR UN USAGE ULTÉRIEUR

Le terme « outil électrique » cité dans les avertissements se rapporte à votre outil électrique à alimentation sur secteur (avec fil) ou par piles (sans fil).

#### 1) SÉCURITÉ DU LIEU DE TRAVAIL

- Tenir l'aire de travail propre et bien éclairée.** Les lieux encombrés ou sombres sont propices aux accidents.
- Ne pas faire fonctionner d'outils électriques dans un milieu déflagrant, tel qu'en présence de liquides, de gaz ou de poussières inflammables.** Les outils électriques produisent des étincelles qui pourraient enflammer la poussière ou les vapeurs.
- Éloigner les enfants et les personnes à proximité pendant l'utilisation d'un outil électrique.** Une distraction pourrait en faire perdre la maîtrise à l'utilisateur.

#### 2) SÉCURITÉ EN MATIÈRE D'ÉLECTRICITÉ

- Les fiches des outils électriques doivent correspondre à la prise. Ne jamais modifier la fiche d'aucune façon. Ne jamais utiliser de fiche d'adaptation avec un outil électrique mis à la terre.** Le risque de choc électrique sera réduit par l'utilisation de fiches non modifiées correspondant à la prise.
- Éviter tout contact physique avec des surfaces mises à la terre comme des tuyaux, des radiateurs, des cuisinières et des réfrigérateurs.** Le risque de choc électrique est plus élevé si votre corps est mis à la terre.

- c) **Ne pas exposer les outils électriques à la pluie ou à l'humidité.** La pénétration de l'eau dans un outil électrique augmente le risque de choc électrique.
  - d) **Ne pas utiliser le cordon de façon abusive. Ne jamais utiliser le cordon pour transporter, tirer ou débrancher un outil électrique. Tenir le cordon éloigné de la chaleur, de l'huile, des bords tranchants et des pièces mobiles.** Les cordons endommagés ou enchevêtrés augmentent les risques de choc électrique.
  - e) **Pour l'utilisation d'un outil électrique à l'extérieur, se servir d'une rallonge convenant à cette application.** L'utilisation d'une rallonge conçue pour l'extérieur réduira les risques de choc électrique.
  - f) **S'il est impossible d'éviter l'utilisation d'un outil électrique dans un endroit humide, brancher l'outil dans une prise ou sur un circuit d'alimentation dotés d'un disjoncteur de fuite à la terre (GFCI).** L'utilisation de ce type de disjoncteur réduit les risques de choc électrique.
- 3) SÉCURITÉ PERSONNELLE**
- a) **Être vigilant, surveiller le travail effectué et faire preuve de jugement lorsqu'un outil électrique est utilisé. Ne pas utiliser d'outil électrique en cas de fatigue ou sous l'influence de drogues, d'alcool ou de médicaments.** Un simple moment d'inattention en utilisant un outil électrique peut entraîner des blessures corporelles graves.
  - b) **Utiliser des équipements de protection individuelle. Toujours porter une protection oculaire.** L'utilisation d'équipements de protection comme un masque antipoussière, des chaussures antidérapantes, un casque de sécurité ou des protecteurs auditifs lorsque la situation le requiert réduira les risques de blessures corporelles.
- c) **Empêcher les démarrages intempestifs. S'assurer que l'interrupteur se trouve à la position d'arrêt avant de relier l'outil à une source d'alimentation et/ou d'insérer un bloc-piles, de ramasser ou de transporter l'outil.** Transporter un outil électrique alors que le doigt repose sur l'interrupteur ou brancher un outil électrique dont l'interrupteur est à la position de marche risque de provoquer un accident.
  - d) **Retirer toute clé de réglage ou clé avant de démarrer l'outil.** Une clé ou une clé de réglage attachée à une partie pivotante de l'outil électrique peut provoquer des blessures corporelles.
  - e) **Ne pas trop tendre les bras. Conserver son équilibre en tout temps.** Cela permet de mieux maîtriser l'outil électrique dans les situations imprévues.
  - f) **S'habiller de manière appropriée. Ne pas porter de vêtements amples ni de bijoux. Garder les cheveux, les vêtements et les gants à l'écart des pièces mobiles.** Les vêtements amples, les bijoux ou les cheveux longs risquent de rester coincés dans les pièces mobiles.
  - g) **Si des composants sont fournis pour le raccordement de dispositifs de dépoussiérage et de ramassage, s'assurer que ceux-ci sont bien raccordés et utilisés.** L'utilisation d'un dispositif de dépoussiérage peut réduire les dangers engendrés par les poussières.
- 4) UTILISATION ET ENTRETIEN D'UN OUTIL ÉLECTRIQUE**
- a) **Ne pas forcer un outil électrique. Utiliser l'outil électrique approprié à l'application.** L'outil électrique approprié effectuera un meilleur travail, de façon plus sûre et à la vitesse pour laquelle il a été conçu.
  - b) **Ne pas utiliser un outil électrique dont l'interrupteur est défectueux.** Tout outil électrique dont l'interrupteur est défectueux est dangereux et doit être réparé.

- c) **Débrancher la fiche de la source d'alimentation et/ou du bloc-piles de l'outil électrique avant de faire tout réglage ou changement d'accessoire ou avant de ranger l'outil.** Ces mesures préventives réduisent les risques de démarrage accidentel de l'outil électrique.
- d) **Ranger les outils électriques hors de la portée des enfants et ne permettre à aucune personne n'étant pas familière avec un outil électrique ou son mode d'emploi d'utiliser cet outil.** Les outils électriques deviennent dangereux entre les mains d'utilisateurs inexpérimentés.
- e) **Entretien des outils électriques. Vérifier si les pièces mobiles sont mal alignées ou coincées, si des pièces sont brisées ou présentent toute autre condition susceptible de nuire au bon fonctionnement de l'outil électrique. En cas de dommage, faire réparer l'outil électrique avant toute nouvelle utilisation.** Beaucoup d'accidents sont causés par des outils électriques mal entretenus.
- f) **S'assurer que les outils de coupe sont aiguisés et propres.** Les outils de coupe bien entretenus et affûtés sont moins susceptibles de se coincer et sont plus faciles à maîtriser.
- g) **Utiliser l'outil électrique, les accessoires, les forets, etc. conformément aux présentes directives en tenant compte des conditions de travail et du travail à effectuer.** L'utilisation d'un outil électrique pour toute opération autre que celle pour laquelle il a été conçu est dangereuse.
- 5) UTILISATION ET ENTRETIEN DU BLOC-PILES**
- a) **Ne recharger l'outil qu'au moyen du chargeur précisé par le fabricant.** L'utilisation d'un chargeur qui convient à un type de bloc-piles risque de provoquer un incendie s'il est utilisé avec un autre type de bloc-piles.
- b) **Utiliser les outils électriques uniquement avec les blocs-piles conçus à cet effet.** L'utilisation de tout autre bloc-piles risque de causer des blessures ou un incendie.
- c) **Lorsque le bloc-piles n'est pas utilisé, le tenir éloigné des objets métalliques, notamment des trombones, de la monnaie, des clés, des clous, des vis ou autres petits objets métalliques qui peuvent établir une connexion entre les deux bornes.** Le court-circuit des bornes du bloc-piles risque de provoquer des brûlures ou un incendie.
- d) **En cas d'utilisation abusive, le liquide peut gicler hors du bloc-piles; éviter tout contact avec ce liquide. Si un contact accidentel se produit, laver à grande eau. Si le liquide entre en contact avec les yeux, obtenir également des soins médicaux.** Le liquide qui gicle hors du bloc-piles peut provoquer des irritations ou des brûlures.
- 6) RÉPARATION**
- a) **Faire réparer l'outil électrique par un réparateur professionnel en n'utilisant que des pièces de rechange identiques.** Cela permettra de maintenir une utilisation sécuritaire de l'outil électrique.
- Avertissements de sécurité relatifs au marteau perforateur/perceuse/visseuse**
- **Porter une protection auditive lors du perçage à percussion.** Une exposition au bruit peut entraîner une perte auditive.
  - **Utiliser la/les poignée(s) auxiliaire(s) si fournie(s) avec l'outil.** Une perte de contrôle de l'outil pourrait occasionner des dommages corporels.
  - **Tenir l'outil par les surfaces isolées prévues à cet effet pendant toute utilisation où l'organe de coupe pourrait entrer en contact avec des fils électriques cachés.** Tout contact de l'organe de coupe avec un fil sous tension mettra les parties métalliques exposées de l'outil sous tension et électrocutera l'utilisateur.
  - **Utiliser des brides de fixation ou tout autre dispositif de fixation pratique permettant de soutenir et de retenir la**

**pièce sur une plate-forme stable.** Tenir la pièce avec la main ou contre le corps rend la pièce instable et risque de provoquer une perte de maîtrise de l'outil.

- **Porter des lunettes de sécurité ou une autre protection oculaire.** Le martelage et la perforation peuvent projeter des fragments. Les particules projetées peuvent endommager les yeux irréversiblement.
- **Tenir fermement l'outil en tout temps. Ne pas utiliser l'outil sans le tenir des deux mains.** Il est recommandé d'utiliser en tout temps la poignée latérale. Faire fonctionner cet outil d'une seule main risque de provoquer la perte de maîtrise de l'outil. Il peut aussi être dangereux de percer ou de tomber sur des matériaux durs comme une barre d'armature.
- **Les accessoires et l'outil peuvent devenir brûlants au toucher pendant l'utilisation.** Porter des gants pendant leur utilisation pour effectuer des travaux produisant beaucoup de chaleur comme la perforation à percussion et le perçage des métaux.
- **Ne pas utiliser cet outil pendant des périodes de temps prolongées.** Les vibrations causées par la percussion peuvent poser des risques pour les mains ou les bras. Porter des gants pour amortir les vibrations, et pour limiter les risques, faire des pauses fréquentes.
- **Prendre des précautions à proximité des événements, car ils cachent des pièces mobiles.** Vêtements amples, bijoux ou cheveux longs risquent de rester coincés dans ces pièces mobiles.

**⚠ AVERTISSEMENT :** porter **SYSTEMATIQUEMENT** des lunettes de protection. Les lunettes courantes NE sont PAS des lunettes de protection. Utiliser aussi un masque antipoussières si la découpe doit en produire beaucoup. **PORTER SYSTEMATIQUEMENT UN EQUIPEMENT DE SECURITE HOMOLOGUE :**

- Protection oculaire ANSI Z87.1 (CAN/CSA Z94.3) ;
- Protection auditive ANSI S12.6 (S3.19) ;
- Protection des voies respiratoires NIOSH/OSHA/MSHA.

**⚠ AVERTISSEMENT :** les scies, meules, ponceuses, perceuses ou autres outils de construction peuvent produire des poussières contenant des produits chimiques reconnus par l'État californien pour causer cancers, malformations congénitales ou être nocifs au système reproducteur. Parmi ces produits chimiques, on retrouve :

- Le plomb dans les peintures à base de plomb ;
- La silice cristallisée dans les briques et le ciment, ou autres produits de maçonnerie ; et
- L'arsenic et le chrome dans le bois ayant subi un traitement chimique.

Le risque associé à de telles expositions varie selon la fréquence à laquelle on effectue ces travaux. Pour réduire toute exposition à ces produits : travailler dans un endroit bien aéré, en utilisant du matériel de sécurité homologué, tel un masque antipoussières spécialement conçu pour filtrer les particules microscopiques.

- **Limiter toute exposition prolongée avec les poussières provenant du ponçage, sciage, meulage, perçage ou toute autre activité de construction. Porter des vêtements de protection et nettoyer à l'eau savonneuse les parties du corps exposées.** Le fait de laisser la poussière pénétrer dans la bouche, les yeux ou la peau peut favoriser l'absorption de produits chimiques dangereux.

**⚠ AVERTISSEMENT :** cet outil peut produire et/ou répandre de la poussière susceptible de causer des dommages sérieux et permanents au système respiratoire. Utiliser systématiquement un appareil de protection des voies respiratoires homologué par le NIOSH ou l'OSHA. Diriger les particules dans le sens opposé au visage et au corps.

**⚠ AVERTISSEMENT :** pendant l'utilisation, porter systématiquement une protection auditive individuelle adéquate homologuée ANSI S12.6 (S3.19). Sous certaines

conditions et suivant la durée d'utilisation, le bruit émanant de ce produit pourrait contribuer à une perte de l'acuité auditive.

**⚠ATTENTION : après utilisation, ranger l'outil sur son côté, sur une surface stable, là où il ne pourra ni faire trébucher ni faire chuter quelqu'un.** Certains outils équipés d'un large bloc-piles peuvent tenir à la verticale sur celui-ci, mais manquent alors de stabilité.

- L'étiquette apposée sur votre outil peut inclure les symboles suivants. Les symboles et leur définition sont indiqués ci-après :

V.....volts	A..... ampères
Hz.....hertz	W..... watts
min .....minutes	~ ou AC ..... courant alternatif
=== ou DC....courant continu	⊜ ou AC/DC... courant alternatif
Ⓛ .....classe I fabrication (mis à la terre)	⊜ ou AC/DC... courant alternatif ou continu
Ⓜ .....fabrication classe II (double isolation)	n <sub>0</sub> ..... vitesse à vide n..... vitesse nominale
.../min .....par minute	⊕ ..... borne de terre
IPM.....impacts par minute	⚠..... symbole d'avertissement
BPM.....battements par minute	r/min..... tours par minute
sfp <sub>m</sub> .....pieds linéaires par minute (plpm)	SPM (FPM)..... fréquence par minute

## Consignes importantes de sécurité propres à tous les blocs-piles

Pour commander un bloc-piles de recharge, s'assurer d'inclure son numéro de catalogue et sa tension. Consulter le tableau en dernière page de ce manuel pour connaître les compatibilités entre chargeurs et blocs-piles.

Le bloc-piles n'est pas totalement chargé d'usine. Avant d'utiliser le bloc-piles et le chargeur, lire les consignes de sécurité ci-dessous. Puis suivre la procédure de charge indiquée.

### LIRE TOUTES LES CONSIGNES

- **Ne pas recharger ou utiliser un bloc-piles en milieu déflagrant, en présence, par exemple, de poussières, gaz ou liquides inflammables.** Le fait d'insérer ou retirer un bloc-piles de son chargeur pourrait causer l'inflammation de poussières ou d'émanations.
- **NE JAMAIS forcer l'insertion d'un bloc-piles dans un chargeur. NE modifier un bloc-piles d'AUCUNE façon pour le faire rentrer dans un chargeur incompatible, car il pourrait se briser et causer des dommages corporels graves.** Consulter le tableau en dernière page de ce manuel pour connaître les compatibilités entre chargeurs et blocs-piles.
- Recharger les blocs-piles exclusivement dans des chargeurs DEWALT.
- **NE PAS** éclabousser le bloc-piles ou l'immerger dans l'eau ou dans tout autre liquide.
- **Ne pas entreposer ou utiliser l'appareil et le bloc-piles en présence de températures ambiantes pouvant excéder 40 °C (105 °F) (comme dans des hangars ou des bâtiments métalliques l'été).** Pour préserver leur durée de vie, entreposer les blocs-piles dans un endroit frais et sec.

**REMARQUE : ne pas mettre un bloc-piles dans un outil dont la gâchette est verrouillée en position de marche. Ne jamais bloquer l'interrupteur en position de MARCHE.**

**⚠️AVERTISSEMENT : risques d'incendie.** Ne jamais tenter d'ouvrir le bloc-piles pour quelque raison que ce soit. Si le boîtier du bloc-piles est fissuré ou endommagé, ne pas l'insérer dans un chargeur. Ne pas écraser, laisser tomber, ou endommager les blocs-piles. Ne pas utiliser un bloc-piles ou un chargeur qui a reçu un choc violent, ou si l'appareil est tombé, a été écrasé ou endommagé de quelque façon que ce soit (p. ex. percé par un clou, frappé d'un coup de marteau, piétiné). Les blocs-piles endommagés doivent être renvoyés à un centre de réparation pour y être recyclés.

**⚠️AVERTISSEMENT : risques d'incendie. Au moment de ranger ou transporter le bloc-piles, s'assurer qu'aucun objet métallique n'entre en contact avec les bornes à découvert du bloc-piles.** Par exemple, éviter de placer un bloc-piles dans un tablier, une poche, une boîte à outils ou un tiroir, etc. contenant des objets tels que des clous, des vis, des clés, etc. **Le fait de transporter des bloc-piles comporte des risques d'incendie, car les bornes des piles pourraient entrer, par inadvertance, en contact avec des objets conducteurs, tels que : clés, pièces de monnaie, outils ou autres.** La réglementation sur les produits dangereux (Hazardous Material Regulations) du département américain des transports interdit, en fait, le transport des piles pour le commerce ou dans les avions (ex : dans les bagages enregistrés ou à main) À MOINS qu'elles ne soient correctement protégées contre tout court-circuit. Aussi lors du transport individuel de blocs-piles, s'assurer que leurs bornes sont bien protégées et isolées de tout matériau pouvant entrer en contact avec elles et provoquer un court-circuit.

## CONSIGNES DE SÉCURITÉ PROPRES AUX PILES AU LITHIUM-ION (Li-Ion)

- **Ne pas incinérer le bloc-piles même s'il est sévèrement endommagé ou complètement usagé, car il pourrait exploser et causer un incendie.** Pendant l'incinération des blocs-piles au lithium-ion, des vapeurs et matières toxiques sont dégagées.
- **En cas de contact du liquide de la pile avec la peau, rincer immédiatement au savon doux et à l'eau.** En cas de contact oculaire, rincer l'œil ouvert à l'eau claire une quinzaine de minutes ou jusqu'à ce que l'irritation cesse. Si des soins médicaux s'avéraient nécessaires, noter que l'électrolyte de la pile est composé d'un mélange de carbonates organiques liquides et de sels de lithium.
- **Le contenu des cellules d'une pile ouverte peut causer une irritation respiratoire.** En cas d'inhalation, exposer l'individu à l'air libre. Si les symptômes persistent, consulter un médecin.

**⚠️AVERTISSEMENT : risques de brûlure.** Le liquide de la pile peut s'enflammer s'il est exposé à des étincelles ou à une flamme.

### Le sceau SRPRC<sup>MC</sup>

Le sceau SRPRC<sup>MC</sup> (Société de recyclage des piles rechargeables au Canada) apposé sur une pile au nickel-cadmium, à hydrure métallique de nickel ou au lithium-ion (ou un bloc-piles) indique que les coûts de recyclage de ces derniers en fin d'utilisation ont déjà été réglés par DEWALT. Dans certaines régions, la mise au rebut ou aux ordures municipales des piles au nickel-cadmium, à l'hydrure métallique de nickel ou au lithium-ion, est illégale ; le programme de SRPRC constitue donc une solution pratique et écologique.

La SRPRC<sup>MC</sup>, en collaboration avec DEWALT et d'autres utilisateurs de piles, a mis sur pied des programmes aux États-Unis et au Canada pour faciliter la collecte des piles au nickel-cadmium, à l'hydrure



métallique de nickel ou au lithium-ion usagées. Aidez-nous à protéger l'environnement et à conserver nos ressources naturelles en renvoyant les piles au nickel-cadmium, à l'hydrure métallique de nickel ou au lithium-ion usagées à un centre de réparation autorisé DEWALT ou chez votre détaillant afin qu'elles y soient recyclées. On peut en outre se renseigner auprès d'un centre de recyclage local pour connaître d'autres sites les acceptant.

SRPRC<sup>MC</sup> est une marque déposée de la Société de recyclage des piles rechargeables au Canada.

### **Directives de sécurité importantes propres à tous les chargeurs de piles**

**CONSERVER CES INSTRUCTIONS** : ce manuel contient des directives de sécurité et d'utilisation importantes propres aux chargeurs de piles.

- Avant d'utiliser le chargeur, lire toute consigne et tout avertissement apposés sur le chargeur, le bloc-piles et le produit utilisant le bloc-piles.

**⚠AVERTISSEMENT** : risques de chocs électriques. Ne laisser aucun liquide pénétrer dans le chargeur, des chocs électriques pourraient en résulter.

**⚠ATTENTION** : risques de brûlure. Pour réduire tout risque de dommages corporels, ne recharger que des blocs-piles rechargeables DEWALT. Tout autre type de piles pourrait exploser et causer des dommages corporels et matériels.

**AVIS** : sous certaines conditions, lorsque le chargeur est connecté au bloc d'alimentation, des matériaux étrangers pourraient court-circuiter le chargeur. Les corps étrangers conducteurs tels que (mais pas limité à) poussières de rectification, débris métalliques, laine d'acier, feuilles d'aluminium, ou toute accumulation de particules métalliques doivent être maintenus à distance des orifices du chargeur. Débrancher systématiquement le chargeur lorsque le bloc-piles n'y est pas inséré. Débrancher systématiquement le chargeur avant tout entretien.

- **NE PAS tenter de charger de bloc-piles avec des chargeurs autres que ceux décrits dans ce manuel.** Le chargeur et son bloc-piles ont été conçus tout spécialement pour fonctionner ensemble.
- **Ces chargeurs n'ont pas été conçus pour une utilisation autre que recharger les blocs-piles rechargeables DEWALT.** Toute autre utilisation comporte des risques d'incendie, de chocs électriques ou d'électrocution.
- **Protéger le chargeur de la pluie ou de la neige.**
- **Tirer sur la fiche plutôt que sur le cordon pour débrancher le chargeur.** Cela permet de réduire les risques d'endommager la fiche ou le cordon d'alimentation.
- **S'assurer que le cordon est protégé de manière à ce que personne ne marche ni ne trébuche dessus, ou à ce qu'il ne soit ni endommagé ni soumis à aucune tension.**
- **N'utiliser une rallonge qu'en cas de nécessité absolue.** L'utilisation d'une rallonge inadéquate comporte des risques d'incendie, de chocs électriques ou d'électrocution.
- **Pour utiliser un chargeur à l'extérieur, le placer dans un endroit sec et utiliser une rallonge conçue pour l'extérieur.** L'utilisation d'une rallonge conçue pour l'extérieur réduit les risques de chocs électriques.
- **Pour la sécurité de l'utilisateur, utiliser une rallonge de calibre adéquat (AWG, American Wire Gauge [calibrage américain normalisé des fils électriques]).** Plus le calibre est petit, et plus sa capacité est grande. Un calibre 16, par exemple, a une capacité supérieure à un calibre 18. L'usage d'une rallonge de calibre insuffisant causera une chute de tension qui entraînera perte de puissance et surchauffe. Si plus d'une rallonge est utilisée pour obtenir une certaine longueur, s'assurer que chaque rallonge présente au moins le calibre de fil minimum. Le tableau ci-dessous illustre les calibres à utiliser selon la longueur de rallonge et l'intensité



nominale indiquée sur la plaque signalétique. En cas de doute, utiliser le calibre suivant. Plus le calibre est petit, plus la rallonge peut supporter de courant.

Calibres minimaux des rallonges							
Intensité (en ampères)		volts	Longueur totale de cordon en mètres (pieds)				
		120 V	7,6 (25)	15,2 (50)	30,5 (100)	45,7 (150)	
		240 V	15,2 (50)	30,5 (100)	61,0 (200)	91,4 (300)	
Supérieur à	Inférieur à	AWG					
0	6	18	16	16	14		
6	10	18	16	14	12		
10	12	16	16	14	12		
12	16	14	12	Non recommandé			

- **Ne poser aucun objet sur le chargeur. Ne pas mettre le chargeur sur une surface molle qui pourrait en bloquer la ventilation et provoquer une surchauffe interne.** Éloigner le chargeur de toute source de chaleur. Le chargeur dispose d'orifices d'aération sur le dessus et le dessous du boîtier.
- **Ne pas le faire fonctionner avec un cordon d'alimentation ou une fiche endommagée.**
- **Ne pas utiliser le chargeur s'il a reçu un coup, fait une chute ou a été endommagé de quelque façon que ce soit.** Le ramener dans un centre de réparation agréé.
- **Ne pas démonter le chargeur. Pour tout service ou réparation, le rapporter dans un centre de réparation agréé.** Le fait de le réassembler de façon incorrecte comporte des risques de chocs électriques, d'électrocution et d'incendie.

- **Débrancher le chargeur du secteur avant tout entretien. Cela réduira tout risque de chocs électriques.** Le fait de retirer le bloc-piles ne réduira pas ces risques.
- **NE JAMAIS tenter de connecter 2 chargeurs ensemble.**
- **Le chargeur a été conçu pour être alimenté en courant électrique domestique standard de 120 volts. Ne pas tenter de l'utiliser avec toute autre tension.** Cela ne s'applique pas aux chargeurs de postes mobiles.

## Chargeurs

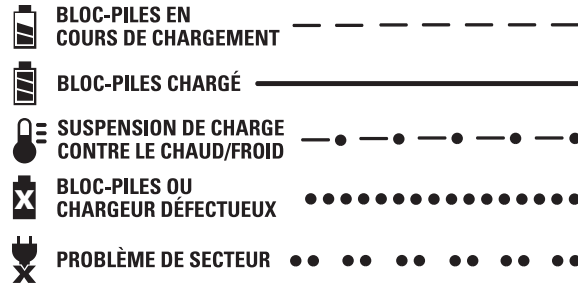
L'outil utilise un chargeur DEWALT. S'assurer de bien lire toutes les directives de sécurité avant d'utiliser le chargeur. Consulter le tableau figurant à la fin du présent mode d'emploi pour connaître la compatibilité des chargeurs et des blocs-piles.

### Procédure de charge (Fig. 1)

1. Branchez le chargeur dans la prise appropriée avant d'y insérer le bloc-piles.
2. Insérez le bloc-piles (H) dans le chargeur, comme illustré en Figure 1, en vous assurant qu'il y est correctement calé. Le voyant rouge (charge) clignotera de façon continue indiquant que le cycle de chargement a commencé.
3. En fin de charge, le voyant rouge restera ALLUMÉ de façon continue. Le bloc-piles est alors complètement chargé et peut être utilisé ou laissé dans le chargeur.



## Fonctionnement du voyant



## Voyants de charge

Ce chargeur a été conçu pour détecter les problèmes pouvant survenir. Un voyant rouge clignotant rapidement indique qu'il y a un problème. Dans cette éventualité, réinsérez le bloc-piles dans le chargeur. Si le problème persiste, essayez un autre bloc-piles pour déterminer si le chargeur fonctionne. Si le nouveau bloc-piles se recharge correctement, le bloc-piles initial est endommagé et doit être retourné dans un centre de réparation ou tout autre site de récupération pour y être recyclé. Si l'on obtient le même résultat avec le nouveau bloc-piles, faites vérifier le chargeur et le bloc-piles chez un centre de réparation agréé.

### FONCTION DE SUSPENSION DE CHARGE CONTRE LE CHAUD/FROID

Ce chargeur est équipé d'une fonction de suspension de charge contre le chaud/froid. Lorsque le chargeur détecte un bloc-piles chaud, il démarre automatiquement la fonction de suspension de charge contre le chaud, en suspendant le chargement jusqu'au refroidissement de ce dernier. Une fois le bloc-piles refroidi, le chargeur se met automatiquement en mode de chargement. Cette caractéristique assure aux blocs-piles une durée de vie maximale. Le voyant rouge

clignote longuement, puis rapidement en mode de suspension de charge contre le chaud/froid.

### LAISSER LE BLOC-PILES DANS LE CHARGEUR

Le chargeur et son bloc-piles peuvent rester connectés, le voyant du chargeur affichant alors Bloc-piles chargé.

**BLOCS-PILES FAIBLES** : les blocs-piles faibles continueront de fonctionner, mais il faudra s'attendre à un rendement moindre.

**BLOCS-PILES DÉFECTUEUX** : ce chargeur ne pourra recharger un bloc-piles défectueux. Le chargeur indiquera qu'un bloc-piles est défectueux en refusant de s'allumer ou en affichant bloc-piles ou chargeur défectueux.

**REMARQUE** : cela pourra aussi indiquer un problème avec le chargeur.

### PROBLÈME AVEC LE SECTEUR

Certains chargeurs présentent un voyant pour tout problème avec le secteur. Lorsque le chargeur est utilisé avec des blocs d'alimentation portatifs comme des génératrices ou des alternateurs, il pourrait temporairement s'arrêter de marcher, auquel cas un voyant rouge émet deux clignotements rapides suivis d'une pause. Cela indique que le bloc d'alimentation est hors tolérance.

## Remarques importantes concernant le chargement

1. Pour augmenter la durée de vie du bloc-piles et optimiser son rendement, le recharger à une température ambiante de 18 ° à 24 °C (65 °F à 75 °F). NE PAS recharger le bloc-piles à une température inférieure à + 4,5 °C (+ 40 °F) ou supérieure à + 40,5 °C (+ 105 °F). C'est important pour prévenir tout dommage sérieux au bloc-piles.
2. Le chargeur et son bloc-piles peuvent devenir chauds au toucher pendant la charge. C'est normal et ne représente en aucun cas une défaillance du produit. Pour faciliter le refroidissement du bloc-

- piles après utilisation, éviter de laisser le chargeur ou le bloc-piles dans un local où la température ambiante est élevée comme dans un hangar métallique ou une remorque non isolée.
3. Un bloc-piles froid se rechargera deux fois moins vite qu'un bloc-piles chaud. Le bloc-piles se rechargera à un rythme plus lent tout au cours du cycle de charge et ne retournera pas à sa capacité maximale de charge même s'il venait à se réchauffer.
  4. Si le bloc-piles ne se recharge pas correctement :
    - a. Vérifier le bon fonctionnement de la prise en y branchant une lampe ou tout autre appareil électrique.
    - b. Vérifier que la prise n'est pas contrôlée par un interrupteur qui coupe le courant lorsqu'on éteint les lumières.
    - c. Déplacer le chargeur et le bloc-piles dans un local où la température ambiante se trouve entre environ 18 ° et 24 °C (65 °F et 75 °F).
    - d. Si le problème persiste, amener l'outil, le bloc-piles et son chargeur dans un centre de réparation local.
  5. Recharger le bloc-piles lorsqu'il ne produit plus assez de puissance pour effectuer un travail qu'il faisait facilement auparavant. NE PAS CONTINUER à l'utiliser dans ces conditions. Suivre la procédure de charge. Si nécessaire, il est aussi possible de recharger un bloc-piles partiellement déchargé sans effet nuisible sur le bloc-piles.
  6. Les corps étrangers conducteurs tels que (mais pas limité à) poussières de rectification, débris métalliques, laine d'acier, feuilles d'aluminium, ou toute accumulation de particules métalliques doivent être maintenus à distance des orifices du chargeur. Débrancher systématiquement le chargeur lorsque le bloc-piles n'y est pas inséré. Débrancher systématiquement le chargeur avant tout entretien.
  7. Ne pas congeler ou immerger le chargeur dans l'eau ou tout autre liquide.

**⚠AVERTISSEMENT** : risques de chocs électriques. Ne laisser aucun liquide pénétrer dans le chargeur, des chocs électriques pourraient en résulter.

**⚠AVERTISSEMENT** : risque de brûlure. Ne submerger le bloc-piles dans aucun liquide et le protéger de toute infiltration de liquide. Ne jamais tenter d'ouvrir le bloc-piles pour quelque raison que ce soit. Si le boîtier plastique du bloc-piles est brisé ou fissuré, le retourner dans un centre de réparation pour y être recyclé.

### **Recommandations de stockage**

1. Le lieu idéal de rangement est un lieu frais et sec, à l'abri de toute lumière solaire directe et de toute température excessive.
2. Pour un stockage prolongé, il est recommandé d'entreposer le bloc-piles pleinement chargé dans un lieu frais et sec, hors du chargeur pour optimiser les résultats.

**REMARQUE** : les blocs-piles ne devraient pas être entreposés complètement déchargés. Il sera nécessaire de recharger le bloc-piles avant réutilisation.

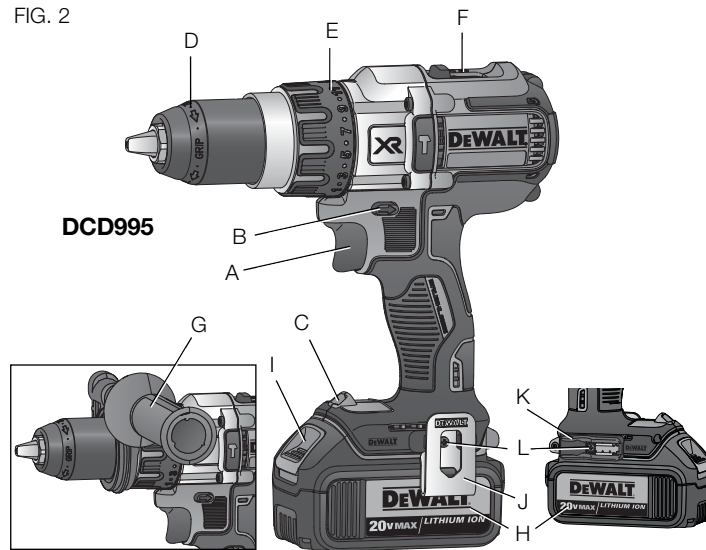
## **CONSERVER CES CONSIGNES POUR UTILISATION ULTÉRIEURE**

### **DESCRIPTION (Fig. 2)**

**⚠AVERTISSEMENT** : ne jamais modifier l'outil électrique ni aucun de ses composants, car il y a risques de dommages corporels ou matériels.

- |                                    |                                       |
|------------------------------------|---------------------------------------|
| A. Gâchette                        | G. Poignée latérale                   |
| B. Bouton marche avant/arrière     | H. Bloc-piles                         |
| C. Lampe de travail                | I. Bouton de libération du bloc-piles |
| D. Mandrin                         | J. Crochet de ceinture                |
| E. Bague de réglage de couple      | K. Range mèche                        |
| F. Bouton de changement de vitesse | L. Vis                                |

FIG. 2



### Gâchette à vitesse variable (Fig. 2)

Pour mettre l'outil en marche, appuyez sur l'interrupteur à gâchette (A). Pour arrêter l'outil, relâchez la gâchette. Votre outil est équipé d'un frein. Le mandrin s'arrêtera dès que la gâchette sera complètement relâchée.

**REMARQUE :** l'utilisation continue dans la plage à vitesse variable n'est pas recommandée. Cela pourrait endommager l'interrupteur et devrait être évité.

### Poignée latérale (Fig. 2)

**⚠AVERTISSEMENT :** pour réduire tout risque de dommages corporels, utiliser **SYSTÉMATIQUEMENT** l'outil avec sa poignée

latérale installée correctement. Tout manquement à cette directive pourrait faire que la poignée latérale glisse pendant l'utilisation de l'outil et entraîner la perte du contrôle de celui-ci. Maintenir l'outil fermement à deux mains pour un contrôle maximum.

La poignée latérale (G) s'accroche à l'avant du carter d'engrenage et peut effectuer une rotation de 360° pour permettre d'être utilisée par un gaucher ou un droitier. La poignée latérale doit être suffisamment resserrée pour résister à toute torsion de l'outil si l'accessoire cale ou se bloque. Assurez-vous de bien saisir la poignée latérale à son extrémité pour conserver le contrôle de l'outil en cas d'arrêt brutal.

Si le modèle n'est pas équipé d'une poignée latérale, saisir la perceuse une main sur sa poignée et l'autre sur le bloc-piles.

**REMARQUE :** les deux modèles sont équipés d'une poignée latérale.

### Bouton de marche avant/arrière (Fig. 2)

Le bouton de marche avant/arrière (B) détermine la direction du fonctionnement de l'outil et sert aussi de bouton de verrouillage.

Pour choisir la marche avant, relâchez la gâchette puis appuyez sur le bouton marche avant/arrière sur le côté droit de l'outil.

Pour choisir la marche arrière, relâchez la gâchette puis appuyez sur le bouton de marche avant/arrière sur le côté gauche de l'outil.

La position centrale du bouton de commande verrouille l'outil en position d'ARRÊT. Avant de changer la position du bouton de commande, assurez-vous que la gâchette est bien relâchée.

**REMARQUE :** lorsque l'outil est remis en marche après un changement de direction, un clic pourra se faire entendre. C'est normal et ne représente nullement une défaillance du produit.

### Lampe de travail (Fig. 2)

Une lampe de travail (C) est située sur le pied de l'outil. La lampe de travail est activée lorsque la gâchette sera activée et elle s'éteindra automatiquement 20 secondes après la désactivation de la gâchette. Tant que la gâchette reste activée, la lampe de travail reste allumée.

**REMARQUE :** la lampe de travail sert à éclairer la surface immédiate de travail et n'a pas été conçue pour être utilisée en tant que lampe torche.

### **Bague de réglage de couple/Embrayage électronique (Fig. 3-5)**

Votre outil est équipé d'un système de tournevis à couple électronique réglable pour serrer ou desserrer une vaste gamme d'attaches. Il y a autour de la bague de réglage de couple (E) des numéros. Ces numéros sont utilisés pour régler l'embrayage sur une plage de couple. Plus le numéro sur la bague est élevé, plus le couple est élevé et plus la taille de l'attache peut être grande. Pour choisir l'un des numéros, tournez jusqu'à ce que le numéro désiré soit aligné sur la flèche.

**⚠AVERTISSEMENT :** lorsque la bague de réglage de couple se trouvera sur la position de perceuse ou de perceuse à percussion, l'embrayage ne fonctionnera pas. La perceuse pourra caler en cas de surcharge et causer une torsion soudaine.

FIG. 3

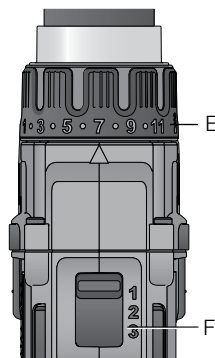


FIG. 4

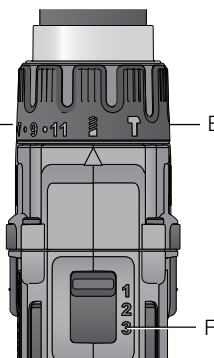
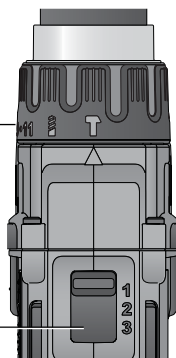


FIG. 5



### **Trois vitesses (Fig. 3-5)**

Pour une polyvalence accrue, la fonction à trois vitesses de votre outil vous permet de changer de vitesse. Pour sélectionner la vitesse 1 (réglage de couple le plus élevé), arrêtez l'outil et laissez-le s'immobiliser complètement. Poussez le bouton de changement de vitesse (F) à fond vers l'avant. La position du milieu représente la vitesse 2 (vitesse et couple moyen). La vitesse 3 (vitesse la plus élevée) est à l'arrière.

**REMARQUE :** ne pas changer de vitesse alors que l'outil fonctionne. Laisser la perceuse s'arrêter complètement avant de changer de vitesse. Si le changement de vitesse est problématique, appuyez sur la gâchette et relâchez puis réessayez.

### **Mandrin automatique à manchon simple (Fig. 6-8)**

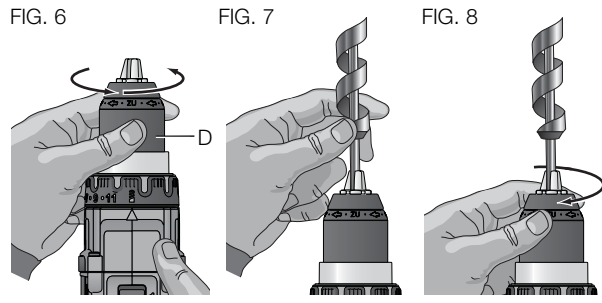
**⚠AVERTISSEMENT :** ne pas essayer de resserrer ou desserrer les mèches (ou tout autre accessoire) en agrippant la partie avant du mandrin tout en mettant l'outil en marche, pour prévenir tout risque de dommages corporels et matériels. Verrouiller systématiquement la gâchette et déconnecter l'outil du secteur avant de changer tout accessoire.

**⚠AVERTISSEMENT :** s'assurer que la mèche est bien serrée avant de mettre l'outil en marche. Une mèche mal serrée pourrait être éjectée de l'outil et causer des dommages corporels.

Votre outil est équipé d'un mandrin automatique avec un manchon rotatif pour utiliser le mandrin à une main. Pour insérer une mèche ou tout autre accessoire, suivez les étapes ci-après.

1. Arrêtez et débranchez l'outil du secteur.
2. Attrapez d'une main le manchon noir du mandrin (D) et utilisez l'autre main pour maintenir l'outil comme illustré en figure 5. Dévissez le manchon vers la gauche (vu de l'avant) juste assez pour accepter l'accessoire désiré.
3. Insérez l'accessoire d'environ 19 mm (3/4 po) dans le mandrin et resserrez fermement en vissant le manchon du mandrin vers la

droite d'une main tout en maintenant l'outil de l'autre. Continuez de visser le manchon du mandrin jusqu'à ce que plusieurs clics se fassent entendre pour assurer totale tension d'adhérence. Assurez-vous de resserrer le mandrin une main sur le manchon du mandrin et l'autre maintenant l'outil pour une prise maximale. Pour libérer l'accessoire, répétez les étapes 1 et 2 ci-dessus.



**Crochet de ceinture et range mèche (Fig. 2)**

**⚠AVERTISSEMENT :** pour réduire tout risque de dommages corporels graves, **NE PAS** suspendre l'outil au-dessus de la tête, ou suspendre des objets au crochet de ceinture. Suspendre le crochet de ceinture de l'outil **UNIQUEMENT** à une ceinture porte-outils.

**⚠AVERTISSEMENT :** pour réduire tout risque de dommages corporels graves, s'assurer que la vis maintenant le crochet de ceinture est bien resserrée.

**IMPORTANT :** pour rattacher ou remplacer le crochet de ceinture (J) ou le range mèche (K), utiliser systématiquement la vis (L) fournie à cet effet. S'assurer de resserrer fermement la vis.

Le crochet de ceinture (J) et le range mèche (K) peuvent être rattachés de l'un ou l'autre côté de l'outil à l'aide seulement de la vis (L) fournie, pour accommoder un gaucher ou un droitier. Si vous ne désirez pas utiliser le crochet ou le range mèche, ils peuvent être complètement retirés de l'outil.

Pour déplacer le crochet de ceinture ou le range mèche, retirez la vis (L) les maintenant en place puis réassemblez-les sur le côté opposé. Assurez-vous de resserrer fermement la vis.

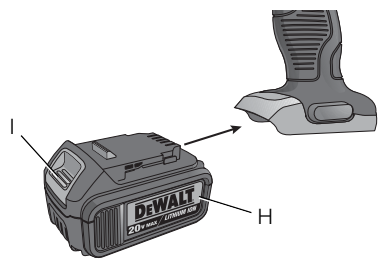
**UTILISATION**

**⚠AVERTISSEMENT :** pour réduire tout risque de dommages corporels graves, placer le bouton de marche avant/arrière en position de verrouillage ou arrêter l'outil et déconnecter le bloc-piles avant tout réglage ou avant de retirer ou installer toute pièce ou tout accessoire.

**Installation et retrait du bloc-piles (Fig. 9)**

**REMARQUE :** pour des résultats optimums, s'assurer que le bloc-piles est complètement chargé.

FIG. 9



Pour installer le bloc-piles (H) dans la poignée de l'outil, alignez le bloc-piles sur les rails dans la poignée de l'outil et faites-le glisser fermement en place puis vérifiez qu'il ne s'en détachera pas.

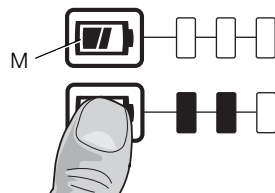
Pour retirer le bloc-piles de l'outil, poussez sur le bouton de libération (I) et tirez fermement le bloc-piles hors de la poignée de l'outil. Insérez-le dans son chargeur comme décrit dans la section appropriée de ce manuel.

#### TÉMOIN DE CHARGE DU BLOC-PILES (FIG. 10)

Certains blocs-piles DEWALT possèdent un témoin de charge qui consiste en trois voyants Del verts indiquant le niveau de charge du bloc-piles.

Pour activer le témoin de charge, maintenez appuyé le bouton du témoin de charge (M). Une combinaison des trois voyants Del verts s'allumera indiquant le niveau de charge. Lorsque le niveau de charge du bloc-pile atteint la limite minimale d'utilisation, le témoin de charge reste éteint et le bloc-piles doit être rechargé.

FIG. 10



**REMARQUE :** le témoin de charge ne fait qu'indiquer le niveau de charge du bloc-piles. Il ne donne aucune indication quant au fonctionnement de l'outil. Son propre fonctionnement pourra aussi varier en fonction des composants produit, de la température et de l'application d'utilisation.

Pour plus d'informations quant au témoin de charge du bloc-piles, veuillez appeler le 1-800-4-DEWALT (1-800-433-9258) ou vous rendre sur notre site [www.dewalt.com](http://www.dewalt.com).

#### Mode visseuse (Fig. 3)

1. Sélectionnez la vitesse/le couple désiré en utilisant le bouton de changement de vitesse pour faire correspondre la vitesse et le couple à l'utilisation désirée.
2. Tournez la bague de réglage de couple (E) sur la position désirée.

**REMARQUE :** utilisez le paramètre de couple le plus bas pour ajuster la vis à la profondeur désirée. Plus le numéro est petit, plus le couple est bas.

3. Insérer l'accessoire de fixation désiré dans le mandrin, comme pour un foret quelconque.
4. Faites quelques essais sur un rebut ou un endroit invisible de la pièce à travailler pour déterminer la position correcte de la bague de réglage de couple.
5. Pour éviter d'endommager la pièce ou l'attache, toujours amorcer le perçage à un couple plus faible puis progresser vers un couple plus élevé.

**REMARQUE :** lorsque le couple est atteint en mode vissage, l'appareil s'arrêtera automatiquement après une série de courts à-coups.

#### Perçage (Fig. 4)

**AVIS :** en cas de perçage dans un matériau fin, utiliser un bloc de bois à l'endos de la pièce pour éviter d'endommager cette dernière.

1. Sélectionnez la vitesse/le couple désiré en utilisant le bouton de changement de vitesse pour faire correspondre la vitesse et le couple à l'utilisation désirée. Tournez le collier (E) sur le symbole de perçage.
2. N'utiliser que des forets bien aiguisés. Pour la MAÇONNERIE, par exemple les briques, le ciment, les blocs de béton, etc., utiliser des mèches à pointe carburée pour perçage à percussion.
3. Toujours exercer une pression en ligne droite par rapport à l'embout. Exercer suffisamment de pression pour faire mordre le foret, mais ne pas trop appuyer pour éviter de bloquer le moteur ou de faire dévier le foret.

4. Tenir l'outil fermement des deux mains pour maîtriser le pivotement de la perceuse. Si le modèle ne comporte pas de poignée latérale, saisir la poignée de la perceuse avec une main et placer l'autre sur le bloc-piles.

**⚠AVERTISSEMENT :** la perceuse est susceptible de se bloquer, en fonction d'une surcharge, produisant ainsi une rotation brusque. Il faut toujours prévoir l'éventualité d'un blocage. Empoigner fermement la perceuse pour maîtriser sa rotation et ainsi éviter des blessures.

5. **SI LA PERCEUSE SE BLOQUE**, le problème est généralement attribuable à une surcharge ou une mauvaise utilisation. **RELÂCHER IMMÉDIATEMENT LA DÉTENTE**, retirer le foret du trou percé et déterminer la cause du blocage. **NE PAS APPUYER DE FAÇON RÉPÉTÉE SUR LA DÉTENTE POUR TENTER DE DÉMARRER UNE PERCEUSE BLOQUÉE, CAR CETTE PRATIQUE PEUT ENDOMMAGER L'OUTIL**
6. Pour éviter les blocages ou un bris lors de la réalisation d'un perçage, réduire la pression sur la perceuse et percer en douceur la dernière partie du trou.
7. Faire tourner la perceuse pour retirer le foret du trou percé. Cette pratique empêche le foret de se coincer.

### **Perçage à percussion (Fig. 5)**

1. Sélectionnez la vitesse/le couple désiré en utilisant le bouton de changement de vitesse pour faire correspondre la vitesse et le couple à l'utilisation désirée. Tourner la bague (E) sur le symbole du marteau perforateur.  
**IMPORTANT :** utiliser les mèches à pointe de carbure ou à maçonnerie pour le perçage à percussion uniquement.
2. Exercer juste assez de pression sur le marteau pour l'empêcher de rebondir excessivement ou pour éviter que le foret ne se « soulève » au-dessus de la surface à percer. Une trop grande pression réduira la vitesse de l'outil, en diminuera le rendement et provoquera une surchauffe.

3. Maintenir l'outil bien droit, en s'assurant que le foret est à angle droit avec la surface à percer. Ne pas exercer de pression latérale sur le foret en cours de perçage. En effet, cette pratique bouchera les cannelures du foret et diminuera le régime de l'outil.
4. Lors du perçage de trous profonds, si la vitesse du marteau commence à chuter, retirer partiellement le foret du trou avec le moteur toujours en marche pour dégager les débris du trou.

**REMARQUE :** une évacuation continue de poussière, par le trou, indiquera que votre vitesse de perçage est adéquate.

### **MAINTENANCE**

**⚠AVERTISSEMENT :** pour réduire tout risque de dommages corporels graves, placer le bouton de marche avant/arrière en position de verrouillage ou arrêter l'outil et déconnecter le bloc-piles avant tout réglage ou avant de retirer ou installer toute pièce ou tout accessoire.

### **Nettoyage**

**⚠AVERTISSEMENT :** enlever les saletés et la poussière hors des événements au moyen d'air comprimé propre et sec, au moins une fois par semaine. Pour minimiser le risque de blessure aux yeux, toujours porter une protection oculaire conforme à la norme ANSI Z87.1 lors du nettoyage.

**⚠AVERTISSEMENT :** ne jamais utiliser de solvants ni d'autres produits chimiques puissants pour nettoyer les pièces non métalliques de l'outil. Ces produits chimiques peuvent affaiblir les matériaux de plastique utilisés dans ces pièces. Utiliser un chiffon humecté uniquement d'eau et de savon doux. Ne jamais laisser de liquide pénétrer dans l'outil et n'immerger aucune partie de l'outil dans un liquide.

### **INSTRUCTION DE NETTOYAGE DU CHARGEUR**

**⚠AVERTISSEMENT :** risque de choc. Débrancher le chargeur de la prise de courant C.A. avant de le nettoyer. La saleté et la graisse



peuvent être enlevées de la surface extérieure du chargeur au moyen d'un chiffon ou d'une brosse douce non métallique. Ne pas utiliser d'eau ni d'autres solutions de nettoyage.

## Accessoires

**⚠ AVERTISSEMENT :** puisque les accessoires autres que ceux offerts par DEWALT n'ont pas été testés avec ce produit, leur utilisation pourrait s'avérer dangereuse. Pour réduire le risque de blessures, utiliser exclusivement les accessoires DEWALT recommandés avec le présent produit.

Les accessoires recommandés pour cet outil sont vendus séparément au centre de service de votre région. Pour obtenir de l'aide concernant l'achat d'un accessoire, communiquer avec DEWALT Industrial Tool Co., 701 East Joppa Road, Baltimore, MD 21286 aux États-Unis; composer le 1 800 433-9258 (1 800 4-DEWALT) ou visiter notre site Web : [www.dewalt.com](http://www.dewalt.com).

CAPACITÉS MAXIMALES RECOMMANDÉES		
	DCD990	DCD995
<b>BOIS</b>		
À bois	32 mm (1-1/4")	32 mm (1-1/4")
Palette	38 mm (1-1/2")	38 mm (1-1/2")
Hélicoïdale	13 mm (1/2")	13 mm (1/2")
Alimentation automatique	65 mm (2-9/16")	65 mm (2-9/16")
Scie-cloche	100 mm (4")	100 mm (4")
<b>MÉTAL</b>		
Hélicoïdale	13 mm (1/2")	13 mm (1/2")
Scie-cloche	35 mm (1-3/8")	35 mm (1-3/8")

MAÇONNERIE		
Au carbure	-	13 mm (1/2")

## Réparations

Le chargeur et le bloc-piles ne sont pas réparables.

Pour assurer votre SÉCURITÉ et la FIABILITÉ du produit, toute maintenance et tout réglage doivent être effectués par un centre de réparation de l'usine DEWALT, un centre de réparation DEWALT agréé ou tout autre personnel de réparation qualifié. Utiliser systématiquement des pièces de rechange d'origine.

## Registre en ligne

Merci pour votre achat. Enregistrez dès maintenant votre produit:

- **RÉPARATIONS SOUS GARANTIE:** cette carte remplie vous permettra de vous prévaloir du service de réparations sous garantie de façon plus efficace dans le cas d'un problème avec le produit.
- **CONFIRMATION DE PROPRIÉTÉ:** en cas de perte provoquée par un incendie, une inondation ou un vol, cette preuve de propriété vous servira de preuve auprès de votre compagnie d'assurances.
- **SÉCURITÉ:** l'enregistrement de votre produit nous permettra de communiquer avec vous dans l'éventualité peu probable de l'envoi d'un avis de sécurité régi par la loi fédérale américaine de la protection des consommateurs.

Registre en ligne à [www.dewalt.com/register](http://www.dewalt.com/register).

## Garantie limitée de trois ans

DEWALT réparera, sans frais, tout produit défectueux causé par un défaut de matériel ou de fabrication pour une période de trois ans à compter de la date d'achat. La présente garantie ne couvre pas les pièces dont la défectuosité a été causée par une usure normale ou l'usage abusif de l'outil. Pour obtenir de plus amples renseignements

sur les pièces ou les réparations couvertes par la présente garantie, visiter le site [www.dewalt.com](http://www.dewalt.com) ou composer le 1 800 433-9258 (1 800 4-DEWALT). Cette garantie ne s'applique pas aux accessoires et ne vise pas les dommages causés par des réparations effectuées par un tiers. Cette garantie confère des droits légaux particuliers à l'acheteur, mais celui-ci pourrait aussi bénéficier d'autres droits variant d'un état ou d'une province à l'autre.

En plus de la présente garantie, les outils DEWALT sont couverts par notre :

**CONTRAT D'ENTRETIEN GRATUIT D'UN AN**

DEWALT entretiendra l'outil et remplacera les pièces usées au cours d'une utilisation normale et ce, gratuitement, pendant une période d'un an à compter de la date d'achat.

**CONTRAT D'ENTRETIEN GRATUIT DE DEUX ANS  
SUR LES BLOC-PILES DEWALT**

DC9071, DC9091, DC9096, DC9280, DC9360, DC9180, DCB120,  
DCB201 et DCB203

**CONTRAT D'ENTRETIEN GRATUIT DE TROIS ANS  
SUR LES BLOC-PILES DEWALT**

DCB200, DCB204

**BLOCS-PILES DEWALT**

La garantie de ce produit sera annulée si le bloc-piles a été altéré de quelque façon que ce soit. DEWALT ne peut être tenu responsable de tout dommage corporel causé par l'altération du produit et pourra poursuivre toute fraude en matière de garantie dans toute l'étendue permise par la loi.

**GARANTIE DE REMBOURSEMENT DE 90 JOURS**

Si l'acheteur n'est pas entièrement satisfait, pour quelque raison que ce soit, du rendement de l'outil électrique, du laser ou de la cloueuse DEWALT, celui-ci peut le retourner, accompagné d'un reçu, dans les

90 jours à compter de la date d'achat pour obtenir un remboursement intégral, sans aucun problème.

**AMÉRIQUE LATINE :** cette garantie ne s'applique aux produits vendus en Amérique latine. Pour ceux-ci, veuillez consulter les informations relatives à la garantie spécifique présente dans l'emballage, appeler l'entreprise locale ou consulter le site Web pour les informations relatives à cette garantie.

**REMPACEMENT GRATUIT DES ÉTIQUETTES D'AVERTISSEMENT :** si les étiquettes d'avertissement deviennent illisibles ou sont manquantes, composer le 1 800 433-9258 (1 800 4-DEWALT) pour en obtenir le remplacement gratuit.

<b>DCDXXX</b>	
SER.	
<b>⚠ WARNING</b>	TO REDUCE THE RISK OF INJURY, USER MUST READ INSTRUCTION MANUAL. USE ONLY WITH DEWALT BATTERIES. ALWAYS USE PROPER EYE AND RESPIRATORY PROTECTION.
DEWALT INDUSTRIAL TOOL CO., BALTIMORE, MD 21286 U.S.A. FOR SERVICE INFORMATION, CALL 1-800-4-DEWALT <a href="http://www.DeWALT.com">www.DeWALT.com</a>	

### **Definiciones: Normas de seguridad**

Las siguientes definiciones describen el nivel de gravedad de cada palabra de señal. Lea el manual y preste atención a estos símbolos.

**▲ PELIGRO:** Indica una situación de peligro inminente que, si no se evita, provocará **la muerte o lesiones graves**.

**▲ ADVERTENCIA:** Indica una situación de peligro potencial que, si no se evita, **podría** provocar **la muerte o lesiones graves**.

**▲ ATENCIÓN:** Indica una situación de peligro potencial que, si no se evita, **posiblemente** provocaría **lesiones leves o moderadas**.

**AVISO:** Se refiere a una práctica **no relacionada a lesiones corporales** que de no evitarse **puede** resultar en **daños a la propiedad**.

SI TIENE ALGUNA DUDA O ALGÚN COMENTARIO SOBRE ÉSTA U OTRA HERRAMIENTA DEWALT, LLÁMENOS AL NÚMERO GRATUITO: **1-800-4-DEWALT (1-800-433-9258)**.



**ADVERTENCIA:** Para reducir el riesgo de lesiones, lea el manual de instrucciones.

### **Advertencias generales de seguridad para herramientas eléctricas**



**¡ADVERTENCIA!** Lea todas las advertencias de seguridad e instrucciones. El incumplimiento de las advertencias e instrucciones puede provocar descargas eléctricas, incendios o lesiones graves.

## **CONSERVE TODAS LAS ADVERTENCIAS E INSTRUCCIONES PARA FUTURAS CONSULTAS**

El término "herramienta eléctrica" incluido en las advertencias hace referencia a las herramientas eléctricas operadas con corriente (con cable eléctrico) o a las herramientas eléctricas operadas con baterías (inalámbricas).

### **1) SEGURIDAD EN EL ÁREA DE TRABAJO**

- a) **Mantenga el área de trabajo limpia y bien iluminada.** Las áreas abarrotadas y oscuras propician accidentes.
- b) **No opere las herramientas eléctricas en atmósferas explosivas, como ambientes donde haya polvo, gases o líquidos inflamables.** Las herramientas eléctricas originan chispas que pueden encender el polvo o los vapores.
- c) **Mantenga alejados a los niños y a los espectadores de la herramienta eléctrica en funcionamiento.** Las distracciones pueden provocar la pérdida de control.

### **2) SEGURIDAD ELÉCTRICA**

- a) **Los enchufes de la herramienta eléctrica deben adaptarse al tomacorriente. Nunca modifique el enchufe de ninguna manera. No utilice ningún enchufe adaptador con herramientas eléctricas con conexión a tierra.** Los enchufes no modificados y que se adaptan a los tomacorrientes reducirán el riesgo de descarga eléctrica.
- b) **Evite el contacto corporal con superficies con descargas a tierra como, por ejemplo, tuberías, radiadores, cocinas eléctricas y refrigeradores.** Existe mayor riesgo de descarga eléctrica si su cuerpo está puesto a tierra.
- c) **No exponga las herramientas eléctricas a la lluvia o a condiciones de humedad.** Si entra agua a una herramienta eléctrica, aumentará el riesgo de descarga eléctrica.

- d) **No maltrate el cable. Nunca utilice el cable para transportar, tirar o desenchufar la herramienta eléctrica. Mantenga el cable alejado del calor, el aceite, los bordes filosos y las piezas móviles.** Los cables dañados o enredados aumentan el riesgo de descarga eléctrica.
- e) **Al operar una herramienta eléctrica en el exterior, utilice un cable prolongador adecuado para tal uso.** Utilice un cable adecuado para uso en exteriores a fin de reducir el riesgo de descarga eléctrica.
- f) **Si el uso de una herramienta eléctrica en un lugar húmedo es imposible de evitar, utilice un suministro protegido con un interruptor de circuito por falla a tierra (GFCI).** El uso de un GFCI reduce el riesgo de descargas eléctricas.
- 3) SEGURIDAD PERSONAL**
- a) **Permanezca alerta, controle lo que está haciendo y utilice el sentido común cuando emplee una herramienta eléctrica. No utilice una herramienta eléctrica si está cansado o bajo el efecto de drogas, alcohol o medicamentos.** Un momento de descuido mientras se opera una herramienta eléctrica puede provocar lesiones personales graves.
- b) **Utilice equipos de protección personal. Siempre utilice protección para los ojos.** En las condiciones adecuadas, el uso de equipos de protección, como máscaras para polvo, calzado de seguridad antideslizante, cascos o protección auditiva, reducirá las lesiones personales.
- c) **Evite el encendido por accidente. Asegúrese de que el interruptor esté en la posición de apagado antes de conectarlo a la fuente de energía o paquete de baterías, o antes de levantar o transportar la herramienta.** Transportar herramientas eléctricas con el dedo apoyado en el interruptor o enchufar herramientas eléctricas con el interruptor en la posición de encendido puede propiciar accidentes.
- d) **Retire la clavija de ajuste o la llave de tuercas antes de encender la herramienta eléctrica.** Una llave de tuercas o una clavija de ajuste que quede conectada a una pieza giratoria de la herramienta eléctrica puede provocar lesiones personales.
- e) **No se estire. Conserve el equilibrio y párese adecuadamente en todo momento.** Esto permite un mejor control de la herramienta eléctrica en situaciones inesperadas.
- f) **Use la vestimenta adecuada. No use ropas holgadas ni joyas. Mantenga el cabello, la ropa y los guantes alejados de las piezas en movimiento.** Las ropas holgadas, las joyas o el cabello largo pueden quedar atrapados en las piezas en movimiento.
- g) **Si se suministran dispositivos para la conexión de accesorios con fines de recolección y extracción de polvo, asegúrese de que estén conectados y que se utilicen correctamente.** El uso de dispositivos de recolección de polvo puede reducir los peligros relacionados con el polvo.
- 4) USO Y MANTENIMIENTO DE LA HERRAMIENTA ELÉCTRICA**
- a) **No fuerce la herramienta eléctrica. Utilice la herramienta eléctrica correcta para el trabajo que realizará.** Si se la utiliza a la velocidad para la que fue diseñada, la herramienta eléctrica correcta permite trabajar mejor y de manera más segura.
- b) **No utilice la herramienta eléctrica si no puede encenderla o apagarla con el interruptor.** Toda herramienta eléctrica que no pueda ser controlada mediante el interruptor es peligrosa y debe repararse.
- c) **Desconecte el enchufe de la fuente de energía o el paquete de baterías de la herramienta eléctrica antes de realizar ajustes, cambiar accesorios o almacenar la herramienta eléctrica.** Estas medidas de seguridad preventivas reducen el riesgo de encender la herramienta eléctrica en forma accidental.

- d) **Guarde la herramienta eléctrica que no esté en uso fuera del alcance de los niños y no permita que otras personas no familiarizadas con ella o con estas instrucciones operen la herramienta.** Las herramientas eléctricas son peligrosas si son operadas por usuarios no capacitados.
- e) **Realice el mantenimiento de las herramientas eléctricas. Revise que no haya piezas en movimiento mal alineadas o trabadas, piezas rotas o cualquier otra situación que pueda afectar el funcionamiento de la herramienta eléctrica. Si encuentra daños, haga reparar la herramienta eléctrica antes de utilizarla.** Se producen muchos accidentes a causa de las herramientas eléctricas que carecen de un mantenimiento adecuado.
- f) **Mantenga las herramientas de corte afiladas y limpias.** Las herramientas de corte con mantenimiento adecuado y con los bordes de corte afilados son menos propensas a trabarse y son más fáciles de controlar.
- g) **Utilice la herramienta eléctrica, los accesorios y las brocas de la herramienta, etc. de acuerdo con estas instrucciones y teniendo en cuenta las condiciones de trabajo y el trabajo que debe realizarse.** El uso de la herramienta eléctrica para operaciones diferentes de aquéllas para las que fue diseñada podría originar una situación peligrosa.

#### 5) USO Y MANTENIMIENTO DE LA HERRAMIENTA CON BATERÍAS

- a) **Recargue solamente con el cargador especificado por el fabricante.** Un cargador adecuado para un tipo de paquete de baterías puede originar riesgo de incendio si se utiliza con otro paquete de baterías.
- b) **Utilice herramientas eléctricas sólo con paquetes de baterías específicamente diseñados.** El uso de cualquier otro paquete de baterías puede producir riesgo de incendio y lesiones.

- c) **Cuando no utilice el paquete de baterías, manténgalo lejos de otros objetos metálicos como sujetapapeles, monedas, llaves, clavos, tornillos u otros objetos metálicos pequeños que puedan realizar una conexión desde un terminal al otro.** Los cortocircuitos en los terminales de la batería pueden provocar quemaduras o incendio.
- d) **En condiciones abusivas, el líquido puede ser expulsado de la batería. Evite su contacto. Si entra en contacto accidentalmente, enjuague con agua. Si el líquido entra en contacto con los ojos, busque atención médica.** El líquido expulsado de la batería puede provocar irritación o quemaduras.

#### 6) MANTENIMIENTO

- a) **Solicite a una persona calificada en reparaciones que realice el mantenimiento de su herramienta eléctrica y que sólo utilice piezas de repuesto idénticas.** Esto garantizará la seguridad de la herramienta eléctrica.

#### Advertencias de seguridad para taladros, destornilladores y taladros percutores

- **Cuando use el taladro percutor, use protectores auditivos.** La exposición al ruido puede ocasionar la pérdida de la audición.
- **Utilice el (los) mango(s) auxiliares, si alguno viene con la herramienta.** Perder el control de la herramienta podría causar lesiones corporales.
- **Sujete la herramienta eléctrica de sus superficies aislantes cuando lleve a cabo una operación en que el accesorio de corte pudiera entrar en contacto con un hilo eléctrico oculto.** Los accesorios de corte que entren en contacto con un hilo eléctrico activo podrían hacer que las partes metálicas de la herramienta eléctrica también se activen con electricidad y que el operador sufra una descarga eléctrica.

- **Utilice abrazaderas u otra forma práctica para asegurar y sostener la pieza de trabajo en una plataforma estable.** Sostener el trabajo con la mano o contra el cuerpo no brinda la estabilidad requerida y puede llevar a la pérdida del control.
  - **Use lentes de seguridad u otra protección similar para los ojos.** Al martillar o taladrar se producen astillas. Las partículas volátiles pueden provocar lesiones oculares permanentes.
  - **Sujete la herramienta firmemente en todo momento. No intente hacer funcionar esta herramienta sin sostenerla con ambas manos.** Se recomienda utilizar el mango lateral en todo momento. Si intenta hacerla funcionar con una sola mano, podría perder el control de la herramienta. También podría ser peligroso perforar o encontrar materiales duros, como barras de refuerzo.
  - **Los accesorios y la herramienta pueden calentarse durante la operación.** Use guantes si realizará aplicaciones que generan calor, como el taladrado con el percusor y el taladrado de metales.
  - **No opere esta herramienta durante períodos largos de tiempo.** La vibración provocada por la acción de percusión puede ser peligrosa para sus manos y brazos. Utilice guantes para mayor amortiguación y descanse con frecuencia para limitar el riesgo de exposición.
  - **Los orificios de ventilación suelen cubrir piezas en movimiento, por lo que también se deben evitar.** Las piezas en movimiento pueden atrapar prendas de vestir sueltas, joyas o el cabello largo.
- ⚠ **ADVERTENCIA:** Use **SIEMPRE** lentes de seguridad. Los anteojos de diario **NO SON** lentes de seguridad. Utilice además una cubrebocas o mascarilla antipolvo si la operación de corte genera demasiado polvo. **SIEMPRE LLEVE EQUIPO DE SEGURIDAD CERTIFICADO:**
- protección ocular ANSI Z87.1 (CAN/GSA Z94.3),
  - protección auditiva ANSI S12.6 (S3.19),
  - protección respiratoria NIOSH/OSHA/MSHA.

⚠ **ADVERTENCIA:** Algunas partículas de polvo generadas al lijar, serrar, esmerilar y taladrar con herramientas eléctricas, así como al realizar otras actividades de construcción, contienen químicos que el Estado de California sabe que pueden producir cáncer, defectos congénitos u otras afecciones reproductivas. Ejemplos de estos químicos son:

- plomo de algunas pinturas en base a plomo,
- polvo de sílice proveniente de ladrillos y cemento y otros productos de albañilería, y
- arsénico y cromo provenientes de madera tratada químicamente.

Su riesgo de exposición a estos químicos varía, dependiendo de la frecuencia con la cual realiza usted este tipo de trabajo. Para reducir su exposición a estas sustancias químicas: trabaje en una zona bien ventilada y llevando equipos de seguridad aprobados, como mascarillas antipolvo especialmente diseñadas para filtrar partículas microscópicas.

- **Evite el contacto prolongado con polvo generado por el lijado, aserrado, pulido, taladrado y otras actividades de construcción. Vista ropas protectoras y lave las áreas de la piel expuestas con agua y jabón.** Si permite que el polvo se introduzca en la boca u ojos o quede sobre la piel, puede favorecer la absorción de productos químicos peligrosos.

⚠ **ADVERTENCIA:** La utilización de esta herramienta puede generar polvo o dispersarlo, lo que podría causar daños graves y permanentes al sistema respiratorio, así como otras lesiones. Siempre use protección respiratoria aprobada por NIOSH (Instituto Nacional de Seguridad y Salud en el Trabajo) u OSHA (Administración de Seguridad y Salud en el Trabajo) apropiada para la exposición al polvo. Dirija las partículas en dirección contraria a la cara y el cuerpo.

**⚠ADVERTENCIA:** Siempre lleve la debida protección auditiva personal en conformidad con ANSI S12.6 (S3.19) durante el uso de esta herramienta. Bajo algunas condiciones y duraciones de uso, el ruido producido por este producto puede contribuir a la pérdida auditiva.

**⚠ATENCIÓN:** Cuando no esté en uso, guarde la herramienta apoyada en un costado sobre una superficie estable, donde no interrumpa el paso o provoque una caída. Algunas herramientas con paquetes de baterías de gran tamaño pueden colocarse paradas sobre el paquete de baterías, pero pueden caerse fácilmente.

- La etiqueta de su herramienta puede incluir los siguientes símbolos.

A continuación se indican los símbolos y sus definiciones:

V.....	voltios	A.....	amperios
Hz.....	hertz	W.....	vatios
min .....	minutos	~ o AC .....	corriente alterna
== o DC....	corriente directa	≈ o AC/DC....	corriente alterna o directa
⚠.....	Construcción de Clase I (tierra)	n .....	velocidad nominal
□.....	Construcción de Clase II (doble aislamiento)	n <sub>o</sub> .....	velocidad sin carga
.../min .....	por minuto	⊖.....	terminal de conexión a tierra
IPM.....	impactos por minuto	⚠.....	símbolo de advertencia de seguridad
sfpn .....	pies de superficie por minuto		
RPM.....	revoluciones por minuto		
BPM.....	golpes por minuto		
SPM.....	pasadas por minuto		

## Instrucciones de seguridad importantes para todas las unidades de batería

Cuando solicite unidades de batería de repuesto, no olvide indicar el número de catálogo y el voltaje. Consulte la tabla al final de este manual para ver la compatibilidad entre cargadores y unidades de batería.

La unidad de batería no viene completamente cargada de fábrica. Antes de usar la unidad de batería y el cargador, lea las siguientes instrucciones de seguridad. Luego, siga los procedimientos de carga indicados.

### LEA TODAS LAS INSTRUCCIONES

- **No cargue o use la unidad de batería en atmósferas explosivas, como en presencia de líquidos, gases o polvos inflamables.** Puede que al insertar o sacar la unidad de batería del cargador se inflamen el polvo o los gases.
  - **NUNCA fuerce la unidad de batería para que entre en el cargador. NO modifique la unidad de batería en ninguna forma para que entre en un cargador no compatible, pues puede producir una ruptura en la unidad de batería y causar lesiones corporales graves.** Consulte la tabla al final de este manual para ver la compatibilidad entre baterías y cargadores.
  - Cargue las unidades de batería sólo en los cargadores designados por DEWALT.
  - **NO salpique con ni sumerja en agua u otros líquidos.**
  - **No guarde ni use la herramienta y unidad de batería en lugares donde la temperatura pueda alcanzar o superar los 40 °C (105 °F), tales como cobertizos o construcciones de metal durante el verano.** Almacene las unidades de batería en lugares frescos y secos para maximizar su vida útil.
- NOTA: No almacene las unidades de batería en la herramienta con el interruptor de gatillo en posición encendida fija. Nunca use cinta adhesiva para mantener el interruptor de gatillo en posición ENCENDIDA.**

**⚠️ADVERTENCIA:** Peligro de incendio. Nunca intente abrir la unidad de batería por ningún motivo. Si la caja exterior de la unidad de batería se triza o daña, no la introduzca en el cargador. No triture, deje caer o dañe la unidad de batería. No use una unidad de batería o un cargador que haya sido golpeado, dejado caer, atropellado o dañado en cualquier forma (por ejemplo, perforado por un clavo, golpeado con un martillo, pisado). Lleve sus unidades de batería dañadas al centro de servicio para que sean recicladas.

**⚠️ADVERTENCIA:** Peligro de incendio. No guarde ni transporte la unidad de batería de manera que objetos metálicos puedan hacer contacto con los terminales expuestos de la batería. Por ejemplo, no ponga la unidad de batería en delantales, bolsillos, cajas de herramientas, estuches de productos, cajones, etc., junto con clavos, tornillos, llaves, etc., sueltos. **El transporte de baterías puede causar incendios si sus terminales inadvertidamente entran en contacto con materiales conductores como llaves, monedas, herramientas de mano y otros por el estilo.** El Reglamento sobre Materiales Peligrosos (HMR) del Ministerio de Transporte de los Estados Unidos actualmente prohíbe el transporte de baterías en el comercio o en aviones (por ejemplo, embaladas en maletas y maletines de mano) A NO SER que estén debidamente protegidas para prevenir cortocircuitos. Por lo tanto, cuando transporte unidades de batería individuales, asegúrese de que sus terminales estén protegidos y debidamente aislados de materiales que pudieran entrar en contacto con ellos y causar un cortocircuito.

#### **INSTRUCCIONES DE SEGURIDAD ESPECÍFICAS PARA BATERÍAS DE IONES DE LITIO (Li-Ion)**

- **No incinere la unidad de batería, aunque esté completamente dañada o descargada. La unidad de batería puede explotar si se quema.** Cuando se queman unidades de batería de iones de litio, se producen gases y materiales tóxicos.

- **Si el contenido de la batería entra en contacto con la piel, lave el área de inmediato con agua y un jabón suave.** Si el líquido de la batería entra en contacto con sus ojos, enjuáguelos con agua y los ojos abiertos por 15 minutos o hasta que cese la irritación. Si se requiere de asistencia médica, el electrolito de la batería está compuesto por una mezcla de carbonatos orgánicos líquidos y sales de litio.
- **El contenido de los elementos abiertos de la batería puede causar irritación en el tracto respiratorio.** Salga al aire fresco. Si los síntomas persisten, busque asistencia médica.

**⚠️ADVERTENCIA:** Peligro de quemaduras. El líquido de la batería puede ser inflamable si se expone a chispas o llamas.

#### **El sello RBRC™**

El sello RBRC™ (Rechargeable Battery Recycling Corporation) en las baterías (unidades de batería) de níquel cadmio, níquel e hidruro metálico o de iones de litio indica que el costo de reciclaje de estas baterías (o unidades de batería) al llegar al final de su vida de servicio ya ha sido pagado por DEWALT. En algunas áreas, es ilegal depositar baterías de níquel cadmio, níquel e hidruro metálico o de iones de litio gastadas en la basura o la corriente de residuos sólidos urbanos; el programa RBRC proporciona una alternativa ecológica.

RBRC™, en cooperación con DEWALT y otros usuarios de baterías, han establecido programas en los Estados Unidos y Canadá para facilitar la recolección de baterías de níquel cadmio, níquel e hidruro metálico o de iones de litio gastadas. Al llevar sus baterías de níquel cadmio, níquel e hidruro metálico y de iones de litio gastadas a un centro de servicio autorizado por DEWALT o al minorista local para que sean recicladas, ayuda a proteger el medio ambiente y a conservar recursos naturales. También puede comunicarse con el centro de reciclaje de su localidad para mayor información sobre dónde llevar sus baterías gastadas.





RBRC™ es una marca comercial registrada de Rechargeable Battery Recycling Corporation.

## **Instrucciones importantes de seguridad para todos los cargadores de baterías**

**GUARDE ESTAS INSTRUCCIONES:** Este manual contiene instrucciones de seguridad y operación importantes para los cargadores de baterías.

- Antes de usar el cargador, lea todas las instrucciones y advertencias que se encuentren en el cargador, la unidad de batería y el producto que usa la unidad de batería.

**⚠ADVERTENCIA:** Peligro de descarga eléctrica. No permita que ningún líquido se introduzca en el cargador. Puede producir descargas eléctricas.

**⚠ATENCIÓN:** Peligro de quemaduras. Para reducir el riesgo de lesiones, sólo cargue unidades de batería recargables marca DEWALT. Otros tipos de batería podrían sobrecalentarse y reventar lo que podría resultar en lesiones corporales y daños a su propiedad.

**AVISO:** Bajo ciertas condiciones, cuando el cargador está enchufado a una toma de corriente, el cargador puede hacer cortocircuito si entra en contacto con algún material ajeno. Los materiales ajenos de naturaleza conductora, como el polvo de esmerilado, las placas de metal, la lana de acero, el papel de aluminio y otros, o cualquier acumulación de partículas metálicas deberían mantenerse alejados de las cavidades del cargador. Desenchufe siempre el cargador cuando no haya una unidad de batería en su cavidad. Desenchufe el cargador antes de intentar limpiarlo.

- **NO intente cargar la unidad de batería con otros cargadores que no sean los descritos en este manual.** El cargador y la unidad de batería fueron específicamente diseñados para trabajar en conjunto.

- **Estos cargadores no fueron diseñados para ser utilizados para más que cargar las baterías recargables DEWALT.** Cualquier otro uso puede producir riesgo de incendios, descargas eléctricas o electrocución.
- **No exponga el cargador a la lluvia o a la nieve.**
- **Tire del enchufe y no del cable cuando desconecte el cargador.** De esta forma se reduce el riesgo de daño al enchufe y cable.
- **Asegúrese de que el cable no sea ubicado de manera que podría ser pisado, causar que alguien tropiece con él o ser expuesto a otro tipo de daños y desgastes.**
- **No use un alargador a menos que sea absolutamente necesario.** El uso de un alargador incorrecto podría producir riesgo de incendios, descargas eléctricas o electrocución.
- **Cuando opere un cargador al exterior, hágalo siempre en un lugar seco y use un alargador apropiado para uso al exterior.** El uso de un alargador apropiado para uso al exterior reduce el riesgo de descarga eléctrica.
- **Los hilos del alargador deben ser de un calibre apropiado (AWG o American Wire Gauge) para su seguridad.** Mientras menor sea el calibre del hilo, mayor la capacidad del cable. Es decir, un hilo calibre 16 tiene mayor capacidad que uno de 18. Un cable de un calibre insuficiente causará una caída en la tensión de la línea dando por resultado una pérdida de energía y sobrecalentamiento. Cuando se utilice más de un alargador para completar el largo total, asegúrese que los hilos de cada alargador tengan el calibre mínimo. La tabla siguiente muestra el tamaño correcto a utilizar, dependiendo de la longitud del cable y del amperaje nominal de la placa de identificación. Si tiene dudas sobre cuál calibre usar, use un calibre mayor. Cuanto menor sea el número del calibre, más resistente será el cable.

Calibre mínimo para cables de alimentación						
Amperaje		Voltios	Largo total del cordón en metros (pies)			
		120 V	7,6 (25)	15,2 (50)	30,5 (100)	45,7 (150)
			240 V	15,2 (50)	30,5 (100)	61,0 (200)
Más de	No más de	AWG				
0	6	18	16	16	14	
6	10	18	16	14	12	
10	12	16	16	14	12	
12	16	14	12	No recomendado		

- **No coloque ningún objeto encima del cargador ni coloque a este sobre una superficie blanda que pudiera bloquear las ranuras de ventilación y resultar en un calor interno excesivo.** Coloque el cargador en un lugar alejado de cualquier fuente de calor. El cargador se ventila a través de las ranuras que se encuentran en la parte superior e inferior de la caja protectora.
- **No opere el cargador si su cable o enchufe están dañados.**
- **No opere el cargador si ha recibido un golpe agudo, si se ha caído o si ha sido dañado de alguna otra forma.** Llévelo a un centro de servicio autorizado.
- **No desarme el cargador; llévelo a un centro de servicio autorizado cuando deba ser reparado.** Si es reensamblado incorrectamente, puede causar descargas eléctricas, electrocución o incendios.

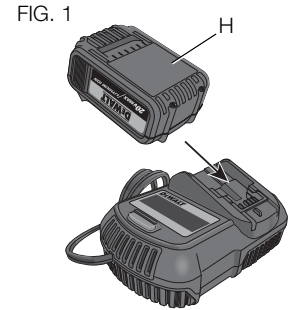
- **Desenchufe el cargador antes de intentar limpiarlo. Esto reducirá el riesgo de descargas eléctricas.** El retirar el paquete de baterías no reducirá este riesgo.
- **NUNCA** intente conectar 2 cargadores entre sí.
- **El cargador está diseñado para operar con una corriente eléctrica estándar residencial de 120 V. No intente usarlo con ningún otro voltaje.** Esto no aplica al cargador vehicular.

### Cargadores

Su herramienta utiliza un cargador DEWALT. Asegúrese de leer todas las instrucciones de seguridad antes de utilizar su cargador. Consulte el gráfico al final del manual para conocer la compatibilidad entre los cargadores y los paquetes de baterías.

### Procedimiento de carga (Fig. 1)

1. Enchufe el cargador en una toma de corriente apropiada antes de insertar la unidad de batería.
2. Inserte la unidad de batería (H) en el cargador, como se muestra en la Figura 1, comprobando que quede bien colocado dentro del mismo. La luz roja (de carga) parpadeará continuamente para indicar que se ha iniciado el proceso de carga.
3. La luz roja se quedará ENCENDIDA continuamente cuando se haya completado el proceso de carga. La unidad estará entonces completamente cargada y podrá ser utilizada de inmediato o dejarse en el cargador.





2. Puede que el cargador y la unidad de batería se calienten ligeramente durante el proceso de carga. Esto es normal y no representa ningún problema. Para facilitar el enfriamiento de la unidad de batería después del uso, evite colocar el cargador o la unidad de batería en un lugar cálido, como un cobertizo metálico o un remolque sin aislamiento térmico.
3. Una unidad de batería fría se demora el doble del tiempo en cargarse que una unidad de batería caliente. La unidad de batería se cargará a ese ritmo más lento durante todo el ciclo de carga y no volverá a cargarse a la velocidad de carga máxima aún cuando la unidad de batería se caliente.
4. Si la unidad de batería no se carga correctamente:
  - a. Verifique el funcionamiento de la toma enchufando una lámpara u otro aparato;
  - b. Revise que la toma de corriente no esté conectada a un interruptor de luz que corte la corriente cuando se corte la luz;
  - c. Mueva el cargador y la unidad de batería a un lugar donde la temperatura ambiental sea aproximadamente 18–24 °C (65–75 °F);
  - d. Si el problema de carga continúa, lleve la herramienta, unidad de batería y el cargador a su centro de servicio local.
5. La unidad de batería debería ser recargada cuando no sea capaz de producir suficiente potencia para trabajos que eran fácilmente realizados antes. NO CONTINÚE usándola bajo estas circunstancias. Siga el procedimiento de carga. También puede cargar una unidad de batería que haya sido usada parcialmente cuando lo desee, sin dañarla.
6. Los materiales ajenos conductores por naturaleza, tales como, pero sin limitarse a, el polvo del esmerilado, las virutas metálicas, la lana de acero, el papel de aluminio o cualquier acumulación de partículas metálicas deberían mantenerse alejados de las cavidades del cargador. Desenchufe siempre el cargador de la

toma de corriente cuando no haya una unidad de batería en su cavidad. Desenchufe el cargador antes de intentar limpiarlo.

7. No congele ni sumerja el cargador en agua o cualquier otro líquido.

**⚠ADVERTENCIA:** Peligro de descarga eléctrica. No permita que ningún líquido se introduzca en el cargador. Puede producir descargas eléctricas.

**⚠ADVERTENCIA:** Peligro de quemaduras. No sumerja la unidad de batería en líquido de ningún tipo ni permita que se introduzca ningún tipo de líquido a la unidad de batería. Nunca intente abrir la unidad de batería por ningún motivo. Si la caja plástica de la unidad de batería se triza o rompe, llévela a un centro de servicio para su reciclaje

### **Recomendaciones de almacenamiento**

1. El mejor lugar de almacenamiento es uno que sea fresco y seco, lejos de la luz solar directa y del exceso de calor o frío.
2. Para resultados óptimos durante tiempos prolongados de almacenamiento, se recomienda almacenar la unidad de batería completamente cargada en un lugar fresco y seco fuera del cargador.

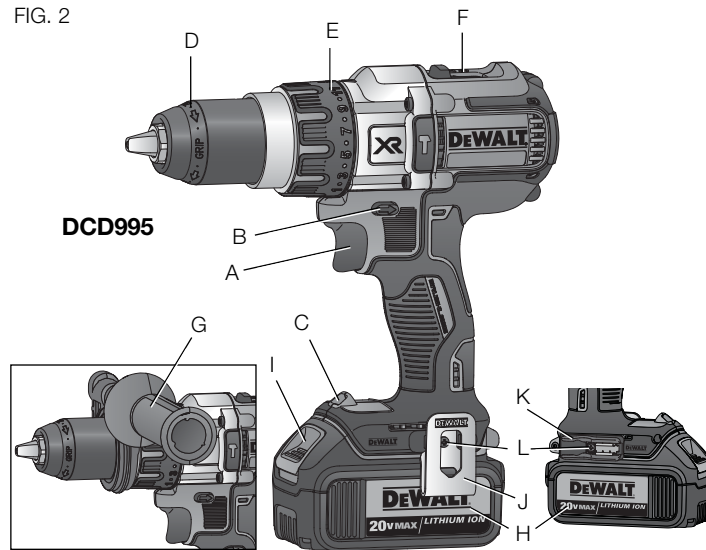
**NOTA:** Las unidades de batería no deberían almacenarse completamente descargadas. La unidad de batería deberá recargarse antes de ser usada.

## **GUARDE ESTAS INSTRUCCIONES PARA VOLVER A CONSULTAR EN EL FUTURO**

### **COMPONENTES (Fig. 2)**

**⚠ADVERTENCIA:** Nunca modifique la herramienta eléctrica, ni tampoco ninguna de sus piezas. podría producir lesiones corporales o daños.

FIG. 2



- |  |                                      |
|--|--------------------------------------|
| A. Interruptor tipo gatillo              | G. Mango lateral                     |
| B. Botón de avance y reversa             | H. Unidad de batería                 |
| C. Luz de trabajo                        | I. Botón de liberación de la batería |
| D. Mandril                               | J. Gancho para cinturón              |
| E. Collarín de ajuste del par de torsión | K. Gancho para brocas                |
| F. Cambiador de velocidades              | L. Tornillo                          |

### **Interruptor tipo gatillo de velocidad variable (Fig. 2)**

Para encender la herramienta, apriete el interruptor tipo gatillo (A). Para apagar la herramienta, suelte el interruptor tipo gatillo. Su herramienta viene equipada con un freno. El mandril se detendrá apenas se suelte totalmente el interruptor tipo gatillo.

**NOTA:** No se recomienda variar continuamente la velocidad de la herramienta. Podría dañar el interruptor y se debería evitarse.

### **Mango lateral (Fig. 2)**

**ADVERTENCIA:** Para reducir el riesgo de lesiones corporales, **SIEMPRE** opere la herramienta con el mango lateral debidamente instalado y ajustado. El incumplimiento con lo anterior podría resultar en que el mango lateral se suelte durante la operación de la herramienta y que el operador pierda el control como consecuencia. Sostenga la herramienta con ambas manos para maximizar control.

El mango lateral (G) se prende de la parte de adelante de la caja de engranaje y puede ser rotado 360 grados para permitir su uso con la mano derecha o izquierda. El mango lateral debe ser ajustado de modo que resista la acción de torsión de la herramienta si el accesorio se trava o estanca. Asegúrese de tomar el mango lateral del extremo para controlar la herramienta si se estanca.

Si el modelo no viene equipado con un mango lateral, tome el taladro con una mano en el mango y la otra en la unidad de alimentación.

**NOTA:** El mango lateral viene incluido en ambos modelos.

### **Botón de control de avance y reversa (Fig. 2)**

El botón de control de avance y reversa (B) determina la dirección de la herramienta y también sirve como botón de bloqueo.

Para seleccionar la rotación hacia delante, suelte el interruptor tipo gatillo y apriete el botón de control de avance y reversa, situado en el lado derecho de la herramienta.

Para seleccionar la rotación hacia atrás, suelte el interruptor tipo gatillo y apriete el botón de control de avance y reversa, situado en el lado izquierdo de la herramienta.

La posición del botón de control en el centro bloquea la herramienta en OFF. Cuando cambie la posición del botón de control, asegúrese de soltar el gatillo.

**NOTA:** Es posible que oiga un clic al iniciar el funcionamiento la primera vez que utilice la herramienta después de cambiar la dirección de rotación. Esto es normal y no representa ningún problema.

### **Luz de trabajo (Fig. 2)**

Hay una luz de trabajo (C) ubicada en el pie de la herramienta. La luz de trabajo se activa cuando se presiona el interruptor tipo gatillo, y se apagará automáticamente 20 segundos después de soltarse el interruptor. Si el interruptor de gatillo se mantiene presionado, la luz de trabajo se mantiene encendida.

**NOTA:** La luz sirve para iluminar la superficie en la que está trabajando y no fue diseñada para usar como linterna.

### **Collarín de ajuste del par de torsión / embrague electrónico (Fig. 3-5)**

Su herramienta cuenta con un sistema ajustable de destornillador de par motor para clavar y retirar una amplia variedad de sujetadores. Hay números alrededor del collarín de ajuste del par motor (E). Estos números se utilizan para fijar el embrague para que ofrezca un rango de par motor. Cuanto más alto sea el número del collarín, mayor será el par de torsión y el sujetador que se puede utilizar. Para seleccionar cualquiera de estos números, gire hasta que el número deseado esté alineado con la flecha.

**⚠ADVERTENCIA:** Cuando el collarín de ajuste del par motor está en la posición de taladro o taladro percutor, el taladro no embragará. El taladro puede atascarse si presenta una sobrecarga y provocar una torsión repentina.

FIG. 3

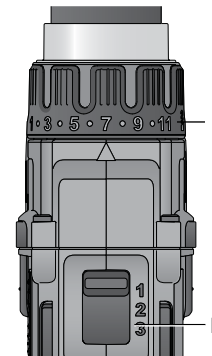


FIG. 4

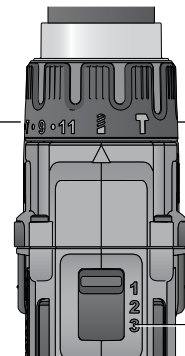
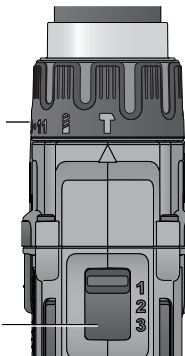


FIG. 5



### **Cómo cambiar entre las tres velocidades (Fig. 3-5)**

La posibilidad de cambiar entre tres velocidades permite a su herramienta cambiar de velocidad para una mayor versatilidad. Para seleccionar la velocidad 1 (con el par de torsión más alto), apague la herramienta y deje que se detenga. Deslice el cambiador de velocidades (F) completamente hacia adelante. La velocidad 2 (con el par de torsión y velocidad intermedios) está en la posición del medio. La velocidad 3 (la más alta) está hacia atrás.

**NOTA:** No cambie de velocidad mientras la herramienta esté funcionando. Siempre permita que el taladro se detenga por completo antes de cambiar de velocidad. Si tiene problemas para cambiar de velocidad, presione y suelte el interruptor de gatillo y pruebe de nuevo.

## **Mandril con mango simple y sin llave (Fig. 6–8)**

**⚠ADVERTENCIA:** No intente ajustar brocas (ni ningún otro accesorio) sujetando la parte frontal del mandril y encendiendo la herramienta. Esto podría dañar el mandril y causar lesiones corporales. Siempre bloquee el interruptor y desenchufe la herramienta de la fuente de alimentación cuando cambie sus accesorios.

**⚠ADVERTENCIA:** Siempre verifique que la broca esté bien instalada antes de arrancar la herramienta. Una broca suelta podría salir disparada de la herramienta posiblemente causando lesiones corporales.

Su herramienta tiene un mandril sin llave que posee un mango rotativo para permitir el manejo del mandril con una sola mano. Para insertar una broca o cualquier otro accesorio, siga los pasos que se indican a continuación.

FIG. 6

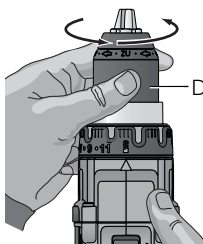


FIG. 7

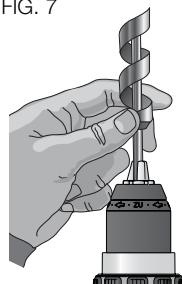
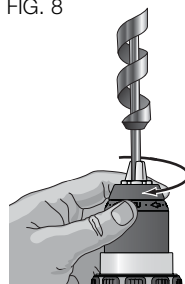


FIG. 8



1. Apague la herramienta y desconéctela de la fuente de alimentación.

2. Tome con una mano el mango negro del mandril (D) y con la otra mano sujete la herramienta como lo muestra la Figura 5. Rote el mango en dirección contraria a las manillas del reloj (si se ve de frente) lo suficiente como para aceptar el accesorio deseado.

3. Inserte el accesorio aproximadamente 19 mm (3/4 de pulg.) dentro del mandril y ajuste bien rotando el mango del mandril en dirección de las manillas del reloj con una mano mientras sujeta la herramienta con la otra. Siga rotando el mango del mandril hasta escuchar varios clics de trinquete, para verificar que esté completamente firme.

Asegúrese de ajustar el mandril con una mano en el mango del mandril y la otra sujetando la herramienta, para asegurar que esté completamente ajustado.

Para soltar el accesorio, repita los pasos 1 y 2 indicados con anterioridad.

## **Gancho para cinturón y gancho para brocas (Fig. 2)**

**⚠ADVERTENCIA:** Para reducir el riesgo de lesión corporal grave, **NO** cuelgue la herramienta del techo ni cuelgue objetos del gancho para cinturón. **SÓLO** cuelgue el gancho para cinturón de la herramienta de un cinturón de herramientas.

**⚠ADVERTENCIA:** Para reducir el riesgo de lesión corporal grave, verifique que el tornillo que sujeta el gancho para cinturón esté ajustado.

**IMPORTANTE:** Cuando enganche o cambie el gancho para cinturón (J) o el gancho para brocas (K), utilice sólo el tornillo (L) que viene incluido. Asegúrese de ajustar bien el tornillo.

El gancho para cinturón (J) y el gancho para brocas (K) pueden ponerse en cualquiera de los dos lados de la herramienta con el tornillo (L) incluido, para usuarios diestros o zurdos. Si nunca va a necesitar el gancho o el gancho para brocas, puede extraerlos de la herramienta.

Para mover el gancho para cinturón o el gancho para brocas, quite el tornillo (L) que lo sostiene en su lugar, luego vuelva a ensamblarlo en el otro lado de la herramienta. Asegúrese de ajustar bien el tornillo.

## OPERACIÓN

**⚠ADVERTENCIA:** Para reducir el riesgo de lesiones corporales graves, coloque el botón de avance y reversa en la posición de bloqueo, o apague la herramienta y desconecte la unidad de batería antes de realizar cualesquier ajustes o quitar o instalar aditamentos o accesorios.

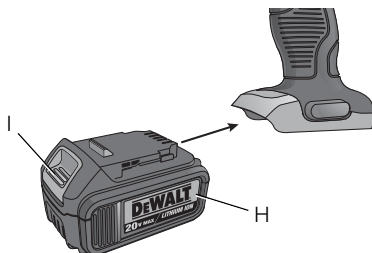
### Cómo instalar y retirar la unidad de batería (Fig. 9)

**NOTA:** Para mejores resultados, verifique que su unidad de batería esté completamente cargada.

Para instalar la unidad de batería (H) en el mango de la herramienta, alinee la unidad de batería con los rieles en el interior del mango de la herramienta y deslícela en el mango hasta que la unidad de batería quede firmemente insertada en la herramienta; verifique que ésta no se salga sola.

Para retirar la unidad de alimentación de la herramienta, presione los botones de liberación (J) y tire firmemente de la unidad de batería para sacarla del mango de la herramienta. Insértela en el cargador tal como se describe en la sección del cargador de este manual.

FIG. 9

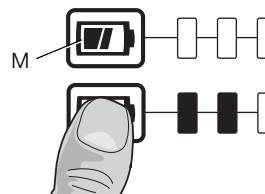


### UNIDADES DE ALIMENTACIÓN CON INDICADOR DE CARGA (FIG. 10)

Algunas unidades de alimentación DEWALT incluyen un indicador de carga que consiste de tres luces LED verdes que indican el nivel de carga que queda en la unidad de alimentación.

Para activar el indicador de carga, presione y sostenga el botón del indicador (M). Se iluminará una combinación de las tres luces LED verdes, que indicará el nivel de carga que queda. Cuando el nivel de carga esté por debajo del nivel útil, el indicador no se iluminará, y la batería deberá recargarse.

FIG. 10



**NOTA:** El indicador de carga es sólo eso: un indicador de la carga de la unidad de alimentación. No indica el nivel de funcionalidad de la herramienta y puede variar de acuerdo a las piezas del producto, la temperatura y la aplicación que el usuario le dé.

Para mayor información sobre unidades de batería con indicadores de carga, por favor llame al 1-800-4-DEWALT (1-800-433-9258) o visite nuestro sitio Web: [www.dewalt.com](http://www.dewalt.com).

### Destornillado (Fig. 3)

1. Seleccione la velocidad/el par de torsión con el cambiador de velocidades para acoplar la velocidad y el par de torsión a la función planeada.
2. Gire el collarín de ajuste del par motor (E) hasta la posición deseada.



**NOTA:** Use el número de par de torsión mínimo requerido para atornillar el tornillo hasta la profundidad deseada. Mientras menor el número, menor será el par de torsión.

3. Inserte el accesorio de sujeción deseado en el portabrocas como lo haría con cualquier broca.
4. Practique unas cuantas veces en restos o zonas de la pieza de trabajo que no se vean para determinar la posición adecuada del collarín de ajuste del par motor.
5. Comience siempre con configuraciones de torsión menores y vaya aumentando la torsión, para evitar daños a la pieza de trabajo o al sujetador.

**NOTA:** Cuando se llega al par motor en el modo de destornillado, el aparato se apagará automáticamente con una serie de pulsaciones cortas.

### **Taladrado (Fig. 4)**

**AVISO:** Si va a taladrar un material delgado, utilice un bloque de madera "de respaldo" para evitar dañarlo.

1. Seleccione la velocidad/el par de torsión con el conmutador de velocidades para adecuar la velocidad y el par de torsión a la operación planeada. Rote el collarín (E) hasta que indique el símbolo de taladro.
2. Use solamente brocas para taladro afiladas. Para MAMPOSTERÍA, tal como ladrillos, cemento, bloques de hormigón, etc., utilice brocas con puntas de carburo indicadas para el taladrado por percusión.
3. Aplique siempre presión en línea recta con la broca. Utilice la presión suficiente para mantener la broca funcionando, pero no tanta como para ahogar el motor o ladear la broca.
4. Sostenga firmemente la herramienta con ambas manos para controlar la torsión del taladro. Si el modelo no está equipado con mango lateral, sujete el taladro con una mano en el mango y la otra sobre el paquete de baterías.

**⚠ADVERTENCIA:** El taladro podría atascarse causando un giro repentino. Siempre espere el atascamiento. Tome el taladro firmemente para controlar la acción de giro y evitar lesiones.

5. **SI EL TALADRO SE ATASCA**, probablemente se deba a una sobrecarga o al uso inadecuado de la herramienta. **SUELTE EL DISPARADOR INMEDIATAMENTE**, retire la broca de la pieza de trabajo, y determine la causa del atascamiento. **NO OPRIMA EL DISPARADOR PARA INTENTAR DESTRABAR EL TALADRO – PODRÍA DAÑARLO.**
6. Para minimizar los atascamientos o las roturas del material, reduzca la presión y deje ir suavemente la broca hacia el final del orificio.
7. Mantenga el motor en funcionamiento cuando retire la broca de un orificio taladrado. Esto ayudará a prevenir atascamientos.

### **Taladrado de percusión (Fig. 5)**

1. Seleccione la velocidad/el par de torsión con el cambiador de velocidades para acoplar la velocidad y el par de torsión a la función planeada. Gire el anillo (E) hasta el símbolo de taladro percutor.  
**IMPORTANTE:** Use brocas afiladas con puntas de carburo de tungsteno o brocas de mampostería calificadas sólo para taladrado de percusión.
2. Cuando taladre, aplique sólo la fuerza suficiente sobre el percutor para evitar que éste rebote en forma excesiva o "levante" la broca. Si aplica demasiada fuerza, hará que las velocidades de taladrado sean más lentas, recalentará la herramienta y producirá un menor nivel de taladrado.
3. Taladre en línea recta, manteniendo la broca en ángulo recto con respecto a la pieza de trabajo. No ejerza presión lateral sobre la broca al taladrar, ya que esto provocará el atascamiento de las ranuras de la broca y una velocidad de taladrado más lenta.
4. Al taladrar orificios profundos, si la velocidad del percutor comienza a bajar, extraiga parcialmente la broca del orificio con la herramienta aún en funcionamiento, para ayudar a eliminar los residuos.

**NOTA:** Un flujo de virutas uniforme y suave indica que se taladra a la velocidad adecuada.

- Al taladrar orificios profundos, si la velocidad del percutor comienza a bajar, extraiga parcialmente la broca del orificio con la herramienta aún en funcionamiento, para ayudar a eliminar los residuos.

**NOTA:** Un flujo de virutas uniforme y suave indica que se taladra a la velocidad adecuada.

## MANTENIMIENTO

**⚠ADVERTENCIA:** Para reducir el riesgo de lesiones corporales graves, coloque el botón de avance y reversa en la posición de bloqueo, o apague la herramienta y desconecte la unidad de batería antes de realizar cualesquier ajustes o quitar o instalar aditamentos o accesorios.

### Limpieza

**⚠ADVERTENCIA:** Sople la suciedad y el polvo de todos los conductos de ventilación con aire seco, al menos una vez por semana. Para reducir el riesgo de lesiones, utilice siempre protección para los ojos aprobada ANSI Z87.1 al realizar esta tarea.

**⚠ADVERTENCIA:** Nunca utilice solventes ni otros químicos abrasivos para limpiar las piezas no metálicas de la herramienta. Estos productos químicos pueden debilitar los materiales plásticos utilizados en estas piezas. Utilice un paño humedecido sólo con agua y jabón neutro. Nunca permita que penetre líquido dentro de la herramienta ni sumerja ninguna de las piezas en un líquido.

### INSTRUCCIONES DE LIMPIEZA DEL CARGADOR

**⚠ADVERTENCIA:** Riesgo de descarga eléctrica. Desconecte el cargador del tomacorriente de CA antes de limpiarlo. Se puede usar un paño o un cepillo suave, que no sea metálico, para quitar la suciedad y la grasa de la parte externa del cargador. No use agua ni cualquier otra solución de limpieza.

## Accesorios

**⚠ADVERTENCIA:** Debido a que no se han probado con este producto otros accesorios que no sean los que ofrece DEWALT., el uso de dichos accesorios con esta herramienta podría ser peligroso. Para reducir el riesgo de lesiones, con este producto deben usarse sólo los accesorios recomendados por DEWALT.

Los accesorios que se recomiendan para utilizar con la herramienta están disponibles a un costo adicional en su distribuidor local o en un centro de mantenimiento autorizado. Si necesita ayuda para localizar algún accesorio, póngase en contacto con DEWALT Industrial Tool Co., 701 East Joppa Road, Baltimore, MD 21286, llame al 1-800-4-DEWALT (1-800-433-9258) o visite nuestro sitio web: [www.dewalt.com](http://www.dewalt.com).

CAPACIDADES MÁXIMAS RECOMENDADAS		
	DCD990	DCD995
<b>MADERA</b>		
Salomónica	32 mm (1-1/4")	32 mm (1-1/4")
Paleta	38 mm (1-1/2")	38 mm (1-1/2")
Giratoria	13 mm (1/2")	13 mm (1/2")
Auto-alimentación	2-9/16" (65 mm)	2-9/16" (65 mm)
Sierra caladora	100 mm (4")	100 mm (4")
<b>METAL</b>		
Giratoria	13 mm (1/2")	13 mm (1/2")
Sierra caladora	35 mm (1-3/8")	35 mm (1-3/8")
<b>MAMPOSTERÍA</b>		
Carburo	–	13 mm (1/2")

## Reparaciones

El cargador y las unidades de batería no pueden ser reparados.

Para garantizar la SEGURIDAD y la CONFIABILIDAD del producto, las reparaciones, el mantenimiento y los ajustes deben realizarse por un centro de servicio de fábrica DEWALT, un centro de servicio autorizado DEWALT o por otro personal de servicio calificado. Utilice siempre piezas de repuesto idénticas.

### PARA REPARACIÓN Y SERVICIO DE SUS HERRAMIENTAS ELÉCTRICAS, FAVOR DE DIRIGIRSE AL CENTRO DE SERVICIO MÁS CERCANO

#### CULIACAN, SIN

Blvd. Emiliano Zapata 5400-1 Poniente  
Col. San Rafael (667) 717 89 99

#### GUADALAJARA, JAL

Av. La Paz #1779 - Col. Americana Sector Juárez (33) 3825 6978

#### MEXICO, D.F.

Eje Central Lázaro Cárdenas No. 18  
Local D, Col. Obrera (55) 5588 9377

#### MERIDA, YUC

Calle 63 #459-A - Col. Centro (999) 928 5038

#### MONTERREY, N.L.

Av. Francisco I. Madero 831 Poniente - Col. Centro (818) 375 23 13

#### PUEBLA, PUE

17 Norte #205 - Col. Centro (222) 246 3714

#### QUERETARO, QRO

Av. San Roque 274 - Col. San Gregorio (442) 2 17 63 14

#### SAN LUIS POTOSI, SLP

Av. Universidad 1525 - Col. San Luis (444) 814 2383

#### TORREON, COAH

Blvd. Independencia, 96 Pte. - Col. Centro (871) 716 5265

#### VERACRUZ, VER

Prolongación Díaz Mirón #4280 - Col. Remes (229) 921 7016

#### VILLAHERMOSA, TAB

Constitución 516-A - Col. Centro (993) 312 5111

#### PARA OTRAS LOCALIDADES:

Si se encuentra en México, por favor llame al (55) 5326 7100

Si se encuentra en U.S., por favor llame al

1-800-433-9258 (1-800 4-DEWALT)

## Póliza de Garantía

### IDENTIFICACIÓN DEL PRODUCTO:

Sello o firma del Distribuidor.

Nombre del producto: \_\_\_\_\_ Mod./Cat.: \_\_\_\_\_

Marca: \_\_\_\_\_ Núm. de serie: \_\_\_\_\_

(Datos para ser llenados por el distribuidor)

Fecha de compra y/o entrega del producto: \_\_\_\_\_

Nombre y domicilio del distribuidor donde se adquirió el producto: \_\_\_\_\_

Este producto está garantizado por un año a partir de la fecha de entrega, contra cualquier defecto en su funcionamiento, así como en materiales y mano de obra empleados para su fabricación. Nuestra garantía incluye la reparación o reposición del producto y/o componentes sin cargo alguno para el cliente, incluyendo mano de obra, así como los gastos de transportación razonablemente erogados derivados del cumplimiento de este certificado.

Para hacer efectiva esta garantía deberá presentar su herramienta y esta póliza sellada por el establecimiento comercial donde se adquirió el producto, de no contar con ésta, bastará la factura de compra.

Español

**EXCEPCIONES**

Esta garantía no será válida en los siguientes casos:

- Cuando el producto se hubiese utilizado en condiciones distintas a las normales;
- Cuando el producto no hubiese sido operado de acuerdo con el instructivo de uso que se acompaña;
- Cuando el producto hubiese sido alterado o reparado por personas distintas a las enlistadas al final de este certificado.

Anexo encontrará una relación de sucursales de servicio de fábrica, centros de servicio autorizados y franquiciados en la República Mexicana, donde podrá hacer efectiva su garantía y adquirir partes, refacciones y accesorios originales.

**Registro en línea**

Gracias por su compra. Registre su producto ahora para:

- **SERVICIO EN GARANTÍA:** Si completa esta tarjeta, podrá obtener un servicio en garantía más eficiente, en caso de que exista un problema con su producto.
- **CONFIRMACIÓN DE PROPIEDAD:** En caso de una pérdida que cubra el seguro, como un incendio, una inundación o un robo, el registro de propiedad servirá como comprobante de compra.
- **PARA SU SEGURIDAD:** Si registra el producto, podremos comunicarnos con usted en el caso improbable que se deba enviar una notificación de seguridad conforme a la Federal Consumer Safety Act (Ley Federal de Seguridad de Productos para el Consumidor).

Registro en línea en [www.dewalt.com/register](http://www.dewalt.com/register).

**Garantía limitada por tres años**

DeWALT reparará, sin cargo, cualquier falla que surja de defectos en el material o la fabricación del producto, por hasta tres años a contar de la fecha de compra. Esta garantía no cubre fallas de las piezas

causadas por su desgaste normal o abuso a la herramienta. Para mayores detalles sobre la cobertura de la garantía e información acerca de reparaciones realizadas bajo garantía, visítenos en [www.dewalt.com](http://www.dewalt.com) o diríjase al centro de servicio más cercano. Esta garantía no aplica a accesorios o a daños causados por reparaciones realizadas o intentadas por terceros. Esta garantía le otorga derechos legales específicos, además de los cuales puede tener otros dependiendo del estado o la provincia en que se encuentre.

Además de la garantía, las herramientas DeWALT están cubiertas por:

**1 AÑO DE SERVICIO GRATUITO**

DeWALT mantendrá la herramienta y reemplazará las piezas gastadas por su uso normal, sin cobro, en cualquier momento durante un año a contar de la fecha de compra. Los artículos gastados por la clavadora, tales como la unidad de hoja y retorno del impulsador, no están cubiertas.

**2 AÑOS DE SERVICIO GRATUITO PARA UNIDADES DE ALIMENTACIÓN DeWALT**

DC9071, DC9091, DC9096, DC9280, DC9360, DC9180, DCB120, DCB201 y DCB203

**3 AÑOS DE SERVICIO GRATUITO PARA UNIDADES DE ALIMENTACIÓN DeWALT**

DCB200, DCB204

**UNIDADES DE BATERÍA DeWALT**

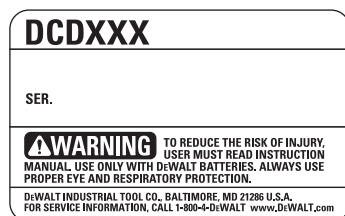
La garantía del producto quedará nula si la unidad de batería ha sido alterada de cualquier manera. DeWALT no es responsable de ninguna lesión causada por alteraciones y podría iniciar un procedimiento judicial por fraude de garantía hasta el máximo grado permisible por la ley.

### GARANTÍA DE REEMBOLSO DE SU DINERO POR 90 DÍAS

Si no está completamente satisfecho con el desempeño de su máquina herramienta, láser o clavadora DEWALT, cualquiera sea el motivo, podrá devolverlo hasta 90 días de la fecha de compra con su recibo y obtener el reembolso completo de su dinero – sin necesidad de responder a ninguna pregunta.

**AMÉRICA LATINA:** Esta garantía no se aplica a los productos que se venden en América Latina. Para los productos que se venden en América Latina, debe consultar la información de la garantía específica del país que viene en el empaque, llamar a la compañía local o visitar el sitio Web a fin de obtener esa información.

**REEMPLAZO GRATUITO DE LAS ETIQUETAS DE ADVERTENCIAS:** Si sus etiquetas de advertencia se vuelven ilegibles o faltan, llame al 1-800-433-9258 (1-800-4-DEWALT) para que se le reemplacen gratuitamente.



### ESPECIFICACIONES

DCD990	20 V Máx*	0-450 / 0-1 300 / 0-2 000 rpm
DCD995	20 V Máx*	0-450 / 0-1 300 / 0-2 000 rpm 0-7 650 / 0-22 100 / 0-34 000 bpm

SOLAMENTE PARA PROPÓSITO DE MÉXICO:  
IMPORTADO POR: DEWALT INDUSTRIAL TOOL CO. S.A. DE C.V.  
AVENIDA ANTONIO DOVALI JAIME, # 70 TORRE B PISO 9  
COLONIA LA FE, SANTA FÉ  
CÓDIGO POSTAL : 01210  
DELEGACIÓN ALVARO OBREGÓN  
MÉXICO D.F.  
TEL. (52) 555-326-7100  
R.F.C.: BDE810626-1W7

Para servicio y ventas consulte  
"HERRAMIENTAS ELECTRICAS"  
en la sección amarilla.



Español





DEWALT Battery and Charger Systems																								
Battery	Output	Chargers/Charge Time (Minutes) – Chargeurs/Durée de charge (Minutes) – Cargadores de baterías/Tiempo de carga (Minutos)																						
Cat #	Voltage	120 Volts																		12 Volts				
		DW9106	DW9118	DW9107	DW9106	DW9116	DW9216	DW9117	DW911	DC011	DC022	DC9000	DC9310	DC9320	DCB095	DCB100	DCB101	DCB103	DCB106	DW0246	DCB119	DW0249	DW9109	DC9319
DC9360	36	X	X	X	X	X	X	X	X	X	X	X	X	X	X	X	X	X	X	X	X	X	X	X
DC9280	28	X	X	X	X	X	X	X	X	X	X	60	X	X	X	X	X	X	X	X	X	X	X	X
DW0242	24	X	X	X	X	X	X	X	X	X	X	X	X	X	X	X	X	X	X	60	X	60	X	X
DC9096	18	X	X	X	60	60	60	20	60	60	60	X	60	60	X	X	X	60	X	X	X	X	60	60
DC9099	18	X	X	X	45	45	45	15	45	45	45	X	45	45	X	X	X	45	X	X	X	X	45	45
DC9180	18	X	X	X	X	X	X	X	X	X	X	X	60	60	X	X	X	60	X	X	X	X	60	60
DC9181	18	X	X	X	X	X	X	X	X	X	X	X	30	30	X	X	X	30	X	X	X	X	30	30
DCB080	8	X	X	X	X	X	X	X	X	X	X	X	X	X	60	X	X	X	X	X	X	X	X	X
DCB200	20	X	X	X	X	X	X	X	X	X	X	X	X	X	X	X	60	60	140	X	90	X	X	X
DCB201	20	X	X	X	X	X	X	X	X	X	X	X	X	X	X	X	30	30	70	X	45	X	X	X
DCB203	20	X	X	X	X	X	X	X	X	X	X	X	X	X	X	X	40	40	90	X	60	X	X	X
DCB204	20	X	X	X	X	X	X	X	X	X	X	X	X	X	X	X	80	80	185	X	120	X	X	X
DCB207	20	X	X	X	X	X	X	X	X	X	X	X	X	X	X	X	30	30	60	X	X	X	X	X
DW9096	18	X	X	X	60	60	60	20	60	60	60	X	60	60	X	X	X	60	X	X	X	X	60	60
DW9098	18	X	X	X	30	30	30	12	30	30	30	X	30	30	X	X	X	30	X	X	X	X	30	30
DW9099	18	X	X	X	45	45	45	15	45	45	45	X	45	45	X	X	X	45	X	X	X	X	45	45
DC9091	14.4	90	115	60	60	60	20	60	60	60	60	X	60	60	X	X	X	60	X	X	X	X	60	60
DC9094	14.4	60	90	45	45	45	15	45	45	45	X	45	45	X	X	X	45	X	X	X	X	45	45	
DW9091	14.4	60	90	45	45	45	15	45	45	45	X	45	45	X	X	X	45	X	X	X	X	45	45	
DW9094	14.4	45	60	30	30	30	12	30	30	30	X	30	30	X	X	X	30	X	X	X	X	30	30	
DCB120	12	X	X	X	X	X	X	X	X	X	X	X	X	X	X	40	30	30	X	X	40	X	X	X
DC9071	12	90	115	60	60	60	20	60	60	60	X	60	60	X	X	X	60	X	X	X	X	60	60	
DW9050	12	40	X	X	X	X	X	X	X	X	X	X	X	X	X	X	X	X	X	X	X	X	X	X
DW9071	12	60	90	45	45	45	15	45	45	45	X	45	45	X	X	X	45	X	X	X	X	45	45	
DW9072	12	45	60	30	30	30	12	30	30	30	X	30	30	X	X	X	30	X	X	X	X	30	30	
DW9048	9.6	40	X	X	X	X	X	X	X	X	X	X	X	X	X	X	X	X	X	X	X	X	X	X
DW9061	9.6	60	90	45	45	45	15	45	45	45	X	45	45	X	X	X	45	X	X	X	X	45	45	
DW9062	9.6	45	60	30	30	30	12	30	30	30	X	30	30	X	X	X	30	X	X	X	X	30	30	
DW9057	7.2	45	60	30	30	30	12	30	30	30	X	30	30	X	X	X	30			X	X	30	30	

\*X\* Indicates that the battery pack is not compatible with that specific charger.  
 \*X\* indique que le bloc-piles n'est pas compatible avec ce chargeur.  
 Una \*X\* indica que el paquete de baterías no es compatible con ese determinado cargador.

**All charge times are approximate. Actual charge time may vary. Read the instruction manual for more specific information.**  
 Les durées de charge sont approximatives; la durée de charge réelle peut varier. Lire le manuel d'utilisation pour obtenir des renseignements plus précis.  
 El tiempo de duración de carga es aproximado; la duración de carga real puede variar. Lea el manual de instrucciones para obtener información más precisa.

- \* Maximum initial battery voltage (measured without a workload) is 20 volts. Nominal voltage is 18.
- \* La tension initiale maximum du bloc-piles (mesurée à vide) est de 20 volts. La tension nominale est de 18.
- \* El máximo voltaje inicial de la batería (medido sin carga de trabajo) es 20 voltios. El voltaje nominal es de 18.

DEWALT Industrial Tool Co., 701 Joppa Road, Baltimore, MD 21286  
 (JUL13) Part No. N257740 DCD990, DCD995 Copyright © 2013 DEWALT

The following are trademarks for one or more DEWALT power tools: the yellow and black color scheme; the “D” shaped air intake grill; the array of pyramids on the handgrip; the kit box configuration; and the array of lozenge-shaped humps on the surface of the tool.