

# Freestanding Ranges

FGGF3036T D/F/W/B

30" Gas



## Product Dimensions

Height (Max.)	46-5/8"
Width	29-7/8"
Depth (Including Handle)	29-1/4"

## More Easy-To-Use Features

**Smudge-Proof™ Stainless Steel**  
Resists fingerprints and cleans easily.

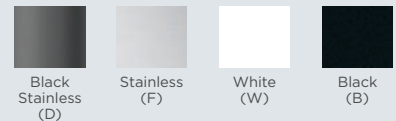
**Continuous Corner-to-Corner Grates**  
Move heavy pots and pans without lifting with continuous, corner-to-corner grates

**Low Simmer Burner**  
Perfect for cooking delicate foods and sauces.

**Built with American Pride**  
Designed, engineered and assembled in the U.S.A.

Sabbath Mode (Star-K® Certified)

## Available in:



Burners	BTU
Right Front	17,000
Right Rear	5,000
Left Front	9,500
Left Rear	14,000
Center Round	9,500

## Signature Features



### Quick Bake Convection

Bake faster and more evenly with Quick Bake Convection.



### Power Burner

Power Burner offers more power and faster boil time with 17,000 BTU burner.



### Steam Cleaning

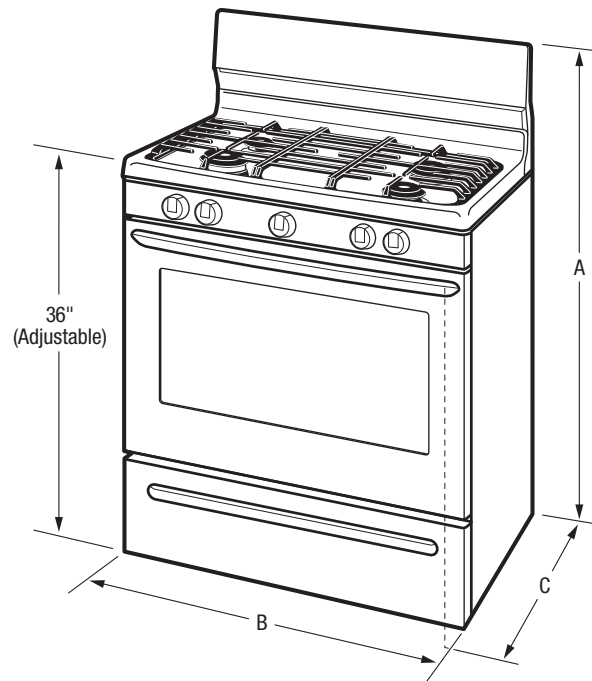
A 30-minute light oven cleaning that's chemical-free, odor-free, and fast.



### One-Touch Quick Self-Clean

Your oven cleans itself - so you don't have to. Self clean options available in 2- and 3-hour cycles.

<b>Features</b>	
Oven Control/Timing System	Express-Select® Controls
Surface Type	Black Porcelain (D/F), Color-Coord. Porcelain (W/B)
Sealed Gas Burners	Yes
Grates	Continuous Cast Iron w/Black Matte Finish
Window	Extra-Large
Exterior Door Finish	Smudge-Proof™ Stainless Steel (D/F), Color-Coordinated (W/B)
Handle Design	Stainless Steel (D/F), Color-Coordinated (W/B)
Exterior Finish (Side Panels)	Black (D/F), Color-C. (W/B)
Convection System	Quick Bake Convection
Oven Cleaning System	Self Clean
Drawer Functionality	Storage
<b>Oven Controls</b>	
Bake/Broil	Yes/Variable (400-550°F)
Effortless™ Convection Conversion	
Convection Bake/Broil/Roast	
Quick Bake Convection	Yes
Quick Preheat	
My Favorite	
Effortless™ Temperature Probe	
Keep Warm	
Add-a-Minute	
Delay Start	
Self Clean	2, 3 Hours
Quick Clean Option	Yes
Delay Clean	2, 3 Hours
Kitchen Timer/Timed Cook Option	
Auto Oven Shut-Off	
Oven Lockout	Yes
Lower Drawer Control	
<b>Cooktop Features</b>	
Right Front Burner (BTU)	17,000
Right Rear Burner (BTU)	5,000
Left Front Burner (BTU)	9,500
Left Rear Burner (BTU)	14,000
Center Extra Zone Burner (BTU)	9,500
<b>Oven Features</b>	
Capacity (Cu.Ft.)	5.0
Oven Light	1
Rack Configuration	2 Standard
Baking System	Even Baking Technology
Broiling System	Vari-Broil™ Hi/Lo
Bake Burner/Broil Burner (BTU)	18,000/13,500
Drawer Racks	
<b>Optional Accessories</b>	
LP Gas Conversion Kit	PN# GRLP4
<b>Certifications</b>	
Sabbath Mode (Star-K® Cert.)	Yes
<b>Specifications</b>	
Oven Interior (H x W x D)	18-5/8" x 24-3/8" x 19-1/8"
Power Supply Connection Location	Left Bottom Rear
Gas Supply Connection Location	Right Bottom Rear
Voltage Rating	120V/60Hz/5A
Amps @ 120 Volts	5
Shipping Weight (Approx.)	215 Lbs.



*NOTE: For planning purposes only. Always consult local and national electric and gas codes. Refer to Product Installation Guide for detailed installation instructions on the web at [frigidaire.com](http://frigidaire.com).*



Product Dimensions	
A - Height (Max.)	46-5/8"
B - Width	29-7/8"
C - Depth (Including Handle)	29-1/4"
Depth with Door Open 90°	46-5/8"

Cabinet Cutout Dimensions	
Height (Standard)	36"
Width (Min.)	30"
Depth (Min.)	24"

*Accessories information available on the web at [frigidaire.com](http://frigidaire.com)*

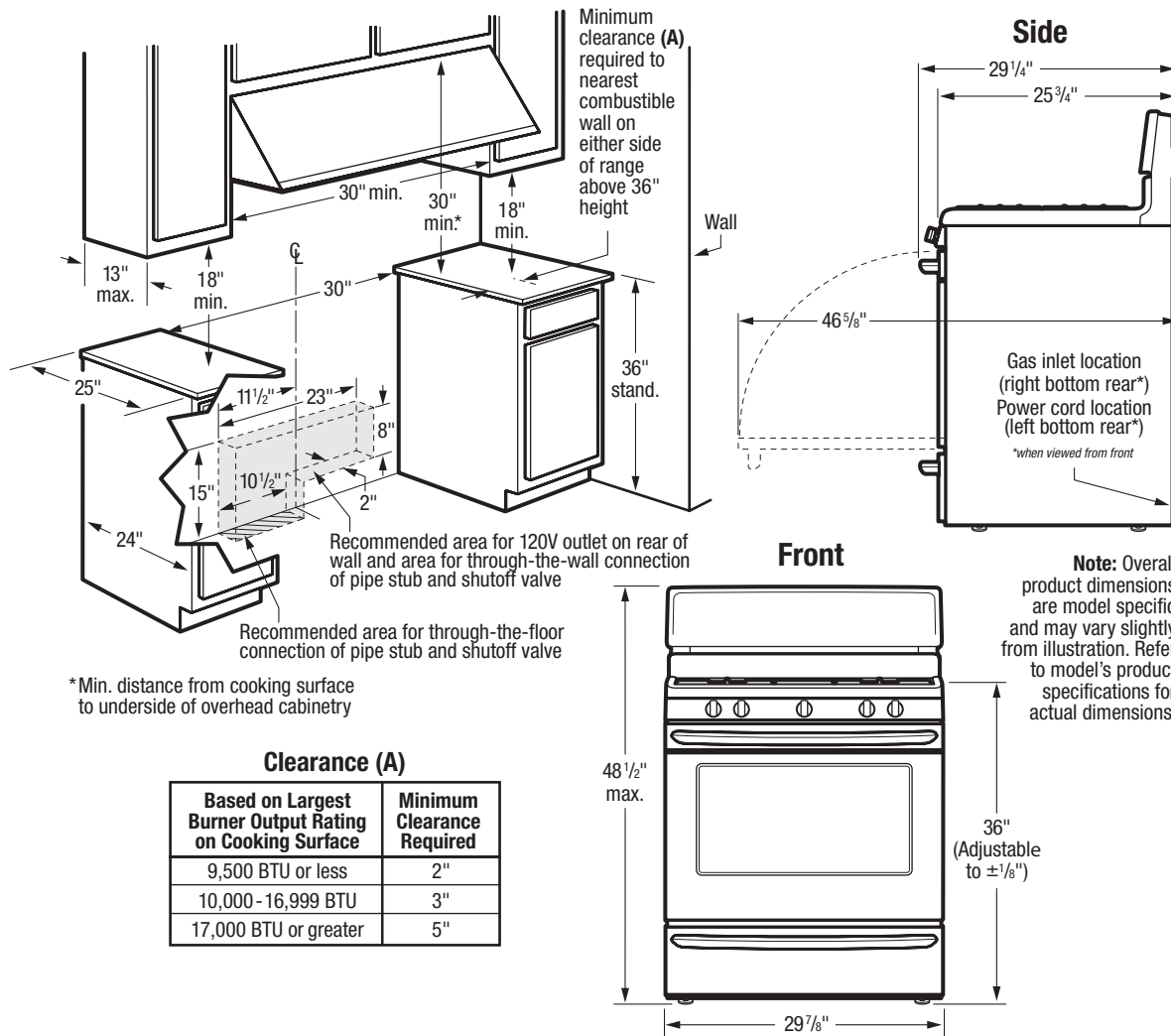
**FRIGIDAIRE**

USA • 10200 David Taylor Drive • Charlotte, NC 28262 • 1-800-FRIGIDAIRE • [frigidaire.com](http://frigidaire.com)  
CANADA • 5855 Terry Fox Way • Mississauga, ON L5V 3E4 • 1-800-265-8352 • [frigidaire.ca](http://frigidaire.ca)

FGGF3036T 04/17

© 2017 Electrolux Home Products, Inc.

*Specifications subject to change.*



**Freestanding Range Specifications**

- Product Shipping Weight (approx.) - 215 Lbs.
- Voltage Rating - 120V/60 Hz/5 Amps
- Amps @ 120 Volts = 5 Amps
- Always consult local and national electric and gas codes.
- Make sure wall coverings around range can withstand heat generated by range.
- Linoleum or any other synthetic floor covering located beneath range, must be capable of withstanding minimum heat of 90°F above room temperature without shrinking, warping or discoloring. Insulating pad or 1/4"-thick plywood required between range and a carpeted floor.
- Do not obstruct flow of combustion air at oven vent nor around base or beneath lower front panel of range. Range requires fresh air for proper burner combustion.
- Do not install range beneath any downward-blowing, overhead vent hood or air curtain.
- Range ships with 3/4" factory regulator.
- Range is LP Gas convertible. (Optional LP Gas conversion kit available.)
- Floor beneath range MUST be solid and level.

- Overhead cabinetry should not exceed a 13" maximum depth.
- Absolute minimum horizontal distance between overhead cabinets installed to either side of appliance must be no less than maximum width of appliance.
- Range can be installed flush to wall with 0" minimum rear clearance.
- Minimum clearance required (from edge of rangetop to nearest combustible wall on either side of range above 36" height) is based on largest burner output rating on cooking surface.
- To reduce risk of fire when using overhead cabinetry, install range hood that projects horizontally a recommended minimum of 5" beyond bottom of cabinets.
- Follow all dimension requirements provided to prevent property damage, potential fire hazard, and incorrect countertop and cabinet cuts.

**Note:** For planning purposes only. Refer to Product Installation Guide on the web at [frigidaire.com](http://frigidaire.com) for detailed instructions.

**Optional Accessories**

- LP Gas Conversion Kit - (PN# GRLP4).

