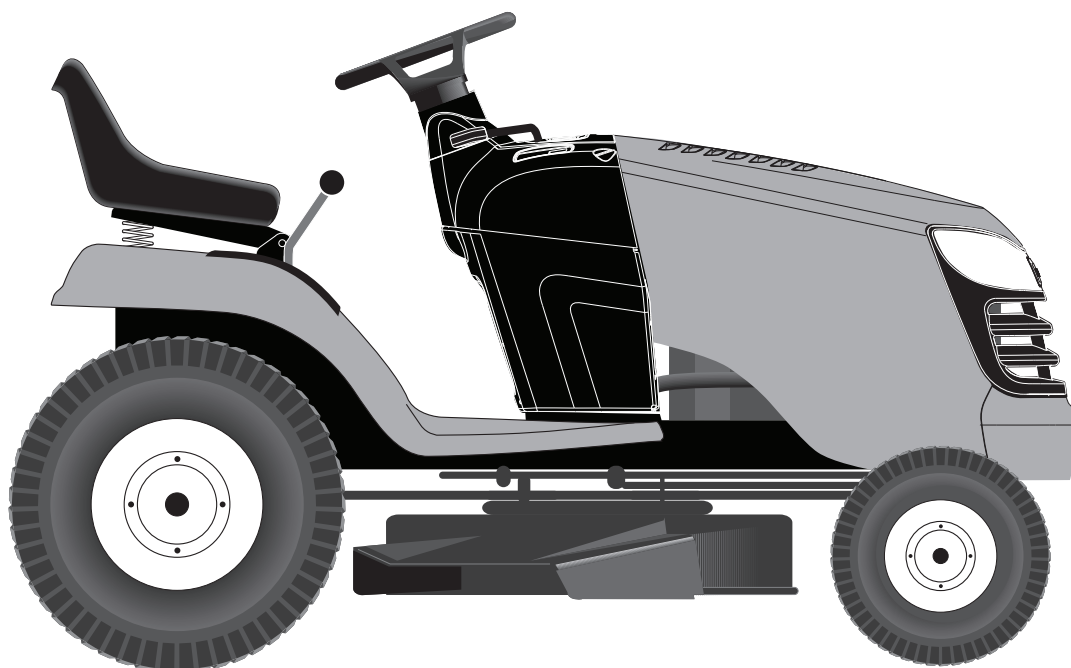


POULAN[®] PRO



REPAIR PARTS MANUAL

MODEL:

PP17G42

LAWN TRACTOR

ALWAYS WEAR EYE PROTECTION DURING OPERATION

Visit our website: www.poulanpro.com

115 92 19-49 Rev. 3



WARNING:

Read this Manual and follow all Warnings and Safety Instructions. Failure to do so can result in serious injury.

HOW TO USE THIS MANUAL

This manual is designed to provide the customer with a means to identify the parts on his/her tractor when ordering repair parts. The illustrations may or may not represent the actual assemblies; therefore, it is not recommended to use this manual as a guide to assemble or disassemble the tractor. Some hardware and parts are drawn larger in order to more readily identify them.

Each tractor has its own model number.

The model number for your tractor can be found on the fender under the seat.

When ordering parts, always give the following information:

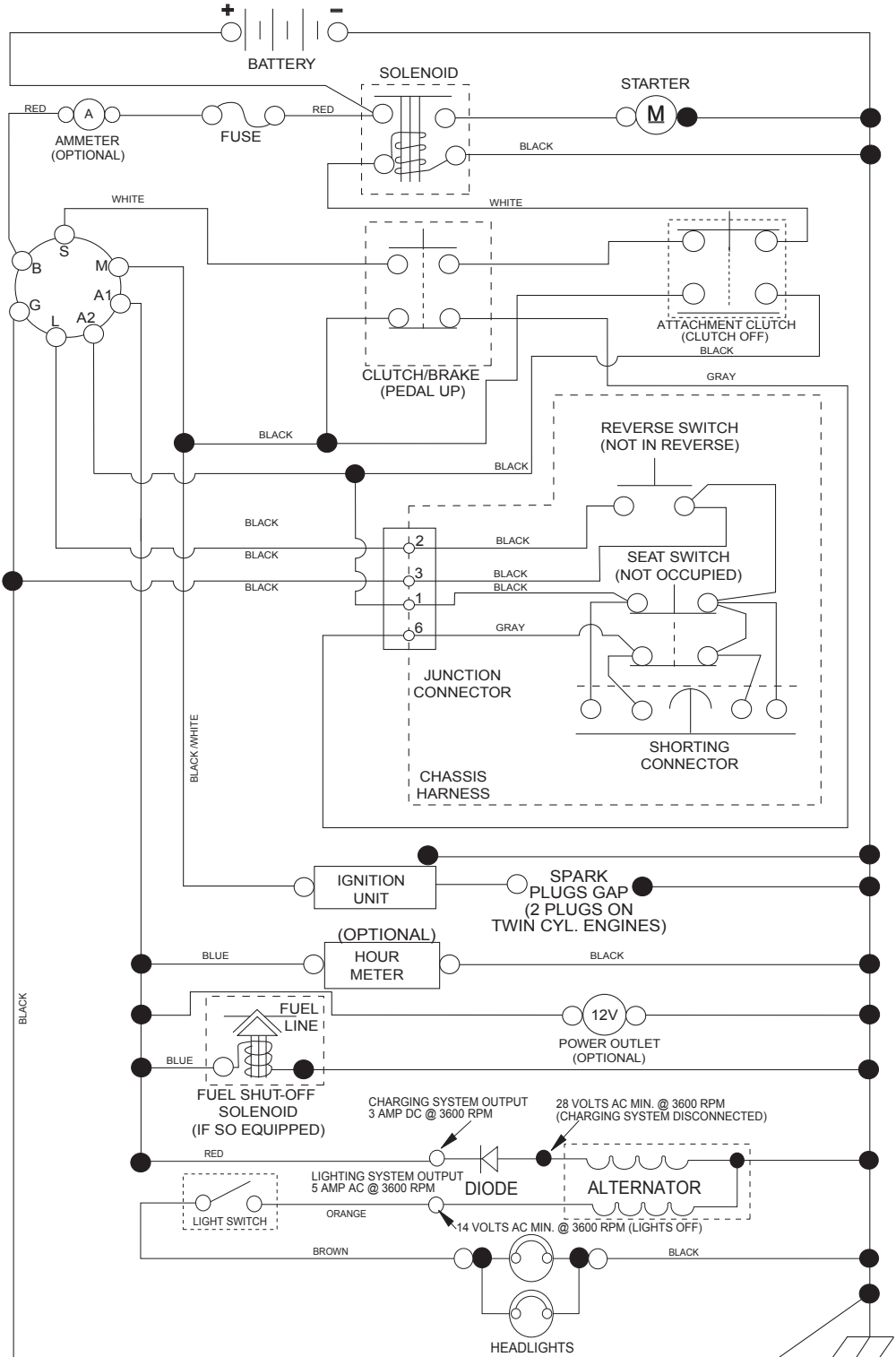
- Product - "TRACTOR"
- MODEL NUMBER - "PP17G42 (96042020300)"
- Part Number
- Part Description

TABLE OF CONTENTS

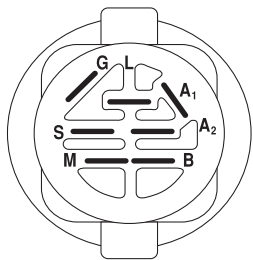
SCHEMATIC	3
ELECTRICAL.....	4-5
CHASSIS	6-7
DRIVE.....	8-9
ENGINE.....	10-11
STEERING	12-13
MOWER DECK	14-15
MOWER LIFT.....	16
SEAT	17
DECALS.....	18
ENGINE BREAKDOWN.....	20
PARTS AND SERVICE	22

TRACTOR - MODEL NUMBER PP17G42 (96042020300), PRODUCT NO. 960 42 02-03 SCHEMATIC

SCH11

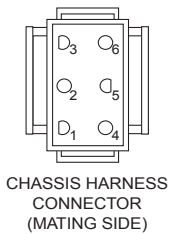


NOTE
YOUR TRACTOR IS EQUIPPED WITH A SPECIAL ALTERNATOR SYSTEM. THE LIGHTS ARE NOT CONNECTED TO THE BATTERY, BUT HAVE THEIR OWN ELECTRICAL SOURCE. BECAUSE OF THIS, THE BRIGHTNESS OF THE LIGHTS WILL CHANGE WITH ENGINE SPEED. AT IDLE THE LIGHTS WILL DIM. AS THE ENGINE IS SPEEDED UP, THE LIGHTS WILL BECOME THEIR BRIGHTEST.

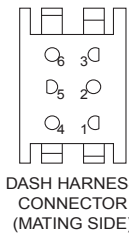


IGNITION SWITCH

POSITION	CIRCUIT	"MAKE"
OFF	M+G+A1	
RUN/OVERRIDE	B+A1	
RUN	B+A1	L+A2
START	B + S + A1	

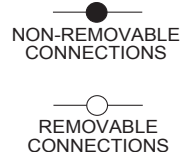


CHASSIS HARNESS CONNECTOR (MATING SIDE)



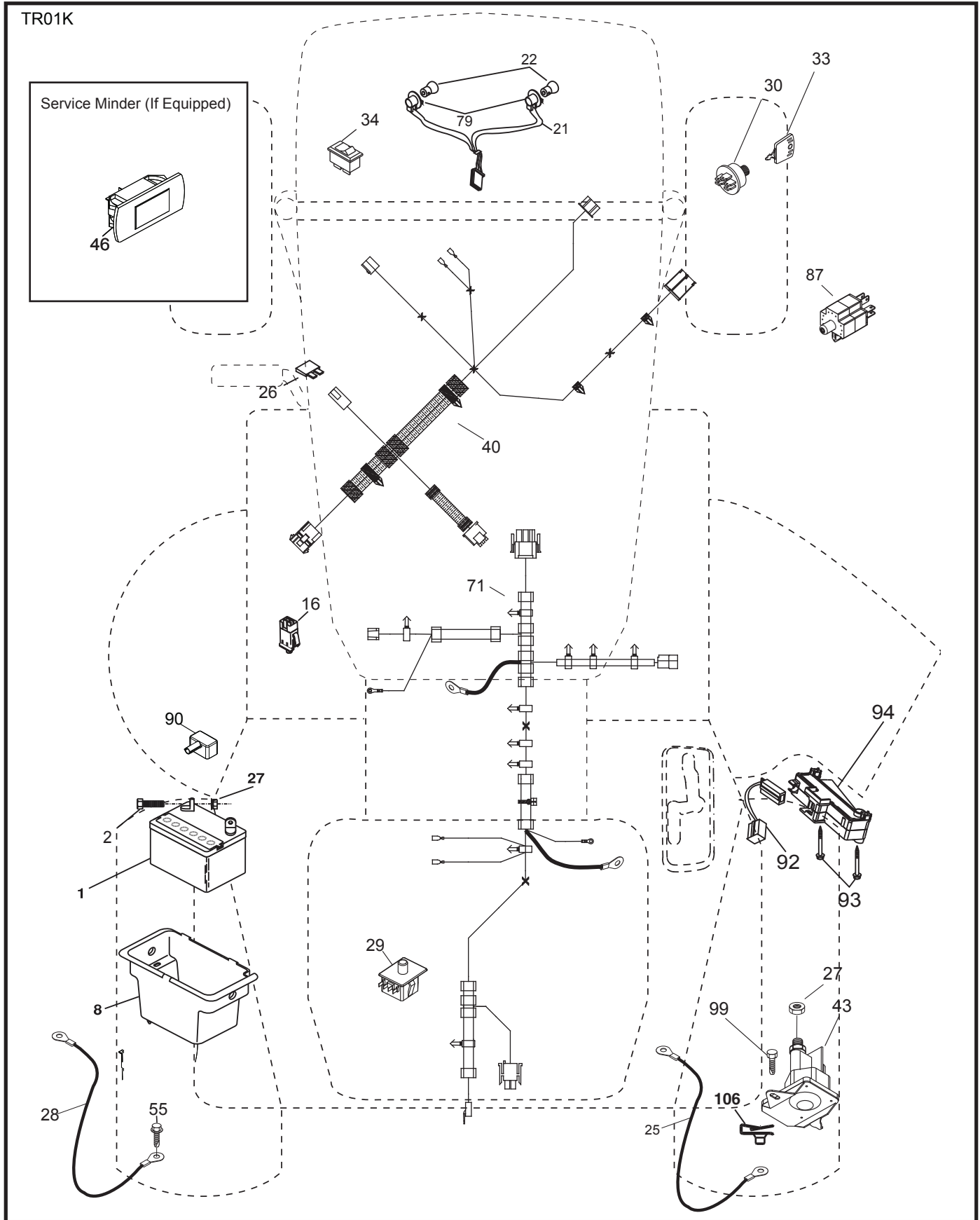
DASH HARNESS CONNECTOR (MATING SIDE)

WIRING INSULATED CLIPS
NOTE: IF WIRING INSULATED CLIPS WERE REMOVED FOR SERVICING OF UNIT, THEY SHOULD BE RE-INSTALLED TO PROPERLY SECURE YOUR WIRING.



REPAIR PARTS

TRACTOR - MODEL NUMBER PP17G42 (96042020300), PRODUCT NO. 960 42 02-03
ELECTRICAL



REPAIR PARTS

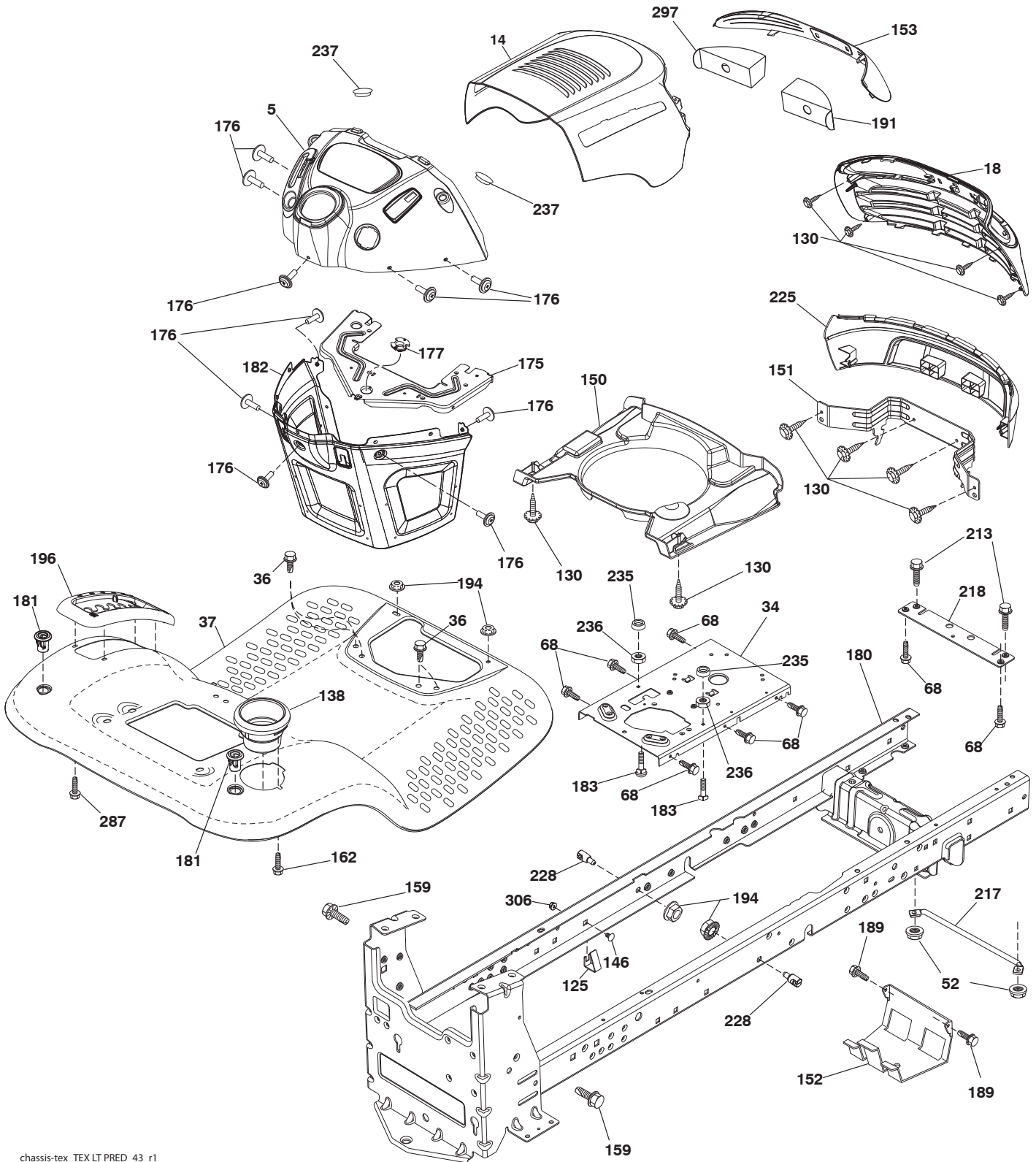
TRACTOR - MODEL NUMBER PP17G42 (96042020300), PRODUCT NO. 960 42 02-03
ELECTRICAL

KEY NO.	PART NO.	DESCRIPTION
1	532 16 34-65	Battery
2	874 76 04-12	Bolt Hex Hd 1/4-20 unc x 3/4
8	532 19 32-28	Box Battery
16	532 17 61-38	Switch Interlock
21	532 40 02-52	Harness Light Asm.
22	532 00 41-52	Socket Asm. Bulb
25	581 49 80-01	Cable Starter 8 Ga. 17" Red
26	532 17 51-58	Fuse 20 AMP
27	873 51 04-00	Nut Keps Hex 1/4-20 unc
28	532 42 16-86	Cable Ground 6 Ga. 12" Black
29	532 19 27-49	Switch Seat
30	532 19 33-50	Switch Ign
33	532 41 19-33	Key/Chain
34	532 11 07-12	Switch Light
40	581 02 31-01	Harness Ign Dash
43	582 04 28-01	Solenoid
55	817 06 05-12	Screw 5/16-18 x 3/4
71	501 13 37-01	Harness Chassis
79	532 17 52-42	Bulb Light
87	532 19 78-02	Switch Interlock
90	532 43 53-95	Cover Terminal Battery
92	532 19 66-15	Harness Pigtail
93	532 19 25-40	Screw Plastite 10-14 x 2.0
94	532 19 18-34	Module Reverse ROS
99	817 67 04-12	Screw Hexwsh Thdrol 1/4-20 x 3/4
106	532 17 48-14	Palnut 1/4 Lugs

NOTE: All component dimensions given in U.S. inches
1 inch = 25.4 mm.

REPAIR PARTS

TRACTOR - MODEL NUMBER PP17G42 (96042020300), PRODUCT NO. 960 42 02-03
CHASSIS



chassis-tex_TEX LT PRED_43_r1

REPAIR PARTS

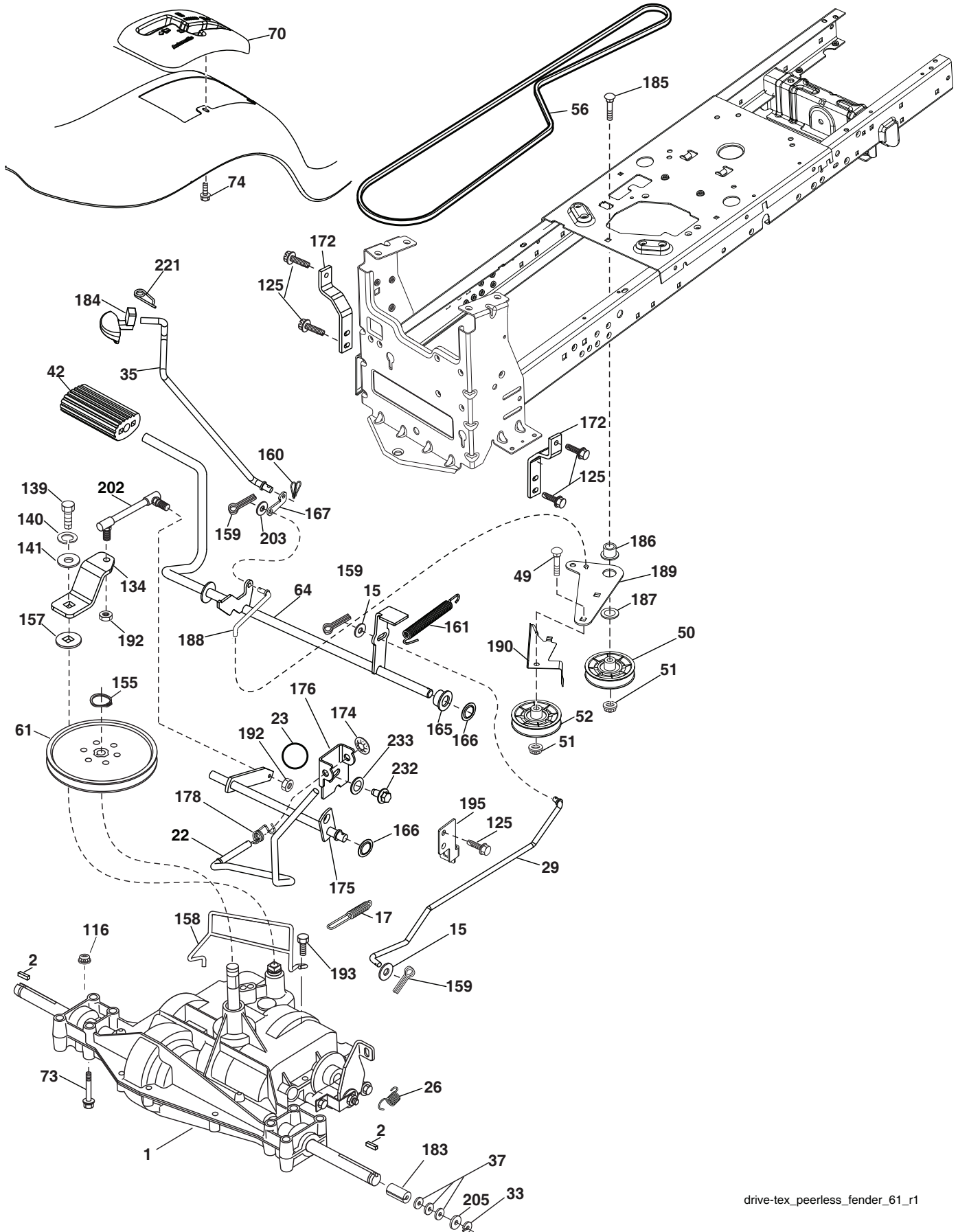
TRACTOR - MODEL NUMBER PP17G42 (96042020300), PRODUCT NO. 960 42 02-03
CHASSIS

KEY NO.	PART NO.	DESCRIPTION
5	532 42 57-72	Dash
14	532 40 95-98	Hood
18	587 70 08-01	Grille
34	580 91 08-01	Plate Engine
36	817 06 05-12	Screw 5/16-18 x 3/4
37	532 42 09-86	Fender
52	873 68 05-00	Nut Lock 5/16-18
68	539 99 08-58	Thdrol 5/16-18 x 1/2
125	581 68 48-01	Clip Fuel Line
130	532 41 63-58	Screw #10 x 0.750
138	532 40 97-30	Cupholder
146	581 85 79-01	Bolt
150	532 40 83-10	Duct Heat Hood
151	532 18 75-68	Bracket Pivot
152	532 19 95-35	Shield Browning
153	532 44 42-64	Lens Grille Bar
159	817 00 06-12	Screw Hexwsh Thdrol 3/8-16 x 3/4
162	532 14 24-32	Screw Hex Wsh Hi-Lo 1/4 x 1/2
175	532 19 94-72	Crossmember
176	532 40 07-76	Screw 10-24 x 5/8 Wshd Qdrx
177	532 19 52-28	Bushing Steering
180	532 19 54-57	Chassis
181	532 40 47-96	Bushing Mtg. Fender Crgo.
182	532 40 71-76	Dash Lower
183	874 52 05-20	Bolt 5/16-18 x 1-1/4
189	817 00 05-12	Screw 5/16-18 x 3/4
191	532 41 65-02	Insert Reflector RH
194	873 90 05-00	Nut Lock Hex Flange 5/16-18
196	532 41 45-81	Console Asm. Deck Lift
213	874 76 05-12	Bolt 5/16-18 x 3/4
217	532 40 91-67	Rod Pivot Hood
218	532 19 63-95	X-Piece Hood Step
225	532 40 95-85	Bumper
228	532 19 51-61	Stud Fastener
235	532 40 61-29	Spacer Fender
236	873 93 05-00	Nut Center Lock 5/16-18
237	532 40 37-04	Plug Mount Cargo
287	817 60 04-06	Screw 1/4-20 x 3/8
297	532 40 18-27	Insert Reflector LH
306	873 90 06-00	Nut Lock

NOTE: All component dimensions given in U.S. inches
1 inch = 25.4 mm

REPAIR PARTS

TRACTOR - MODEL NUMBER PP17G42 (96042020300), PRODUCT NO. 960 42 02-03
DRIVE



REPAIR PARTS

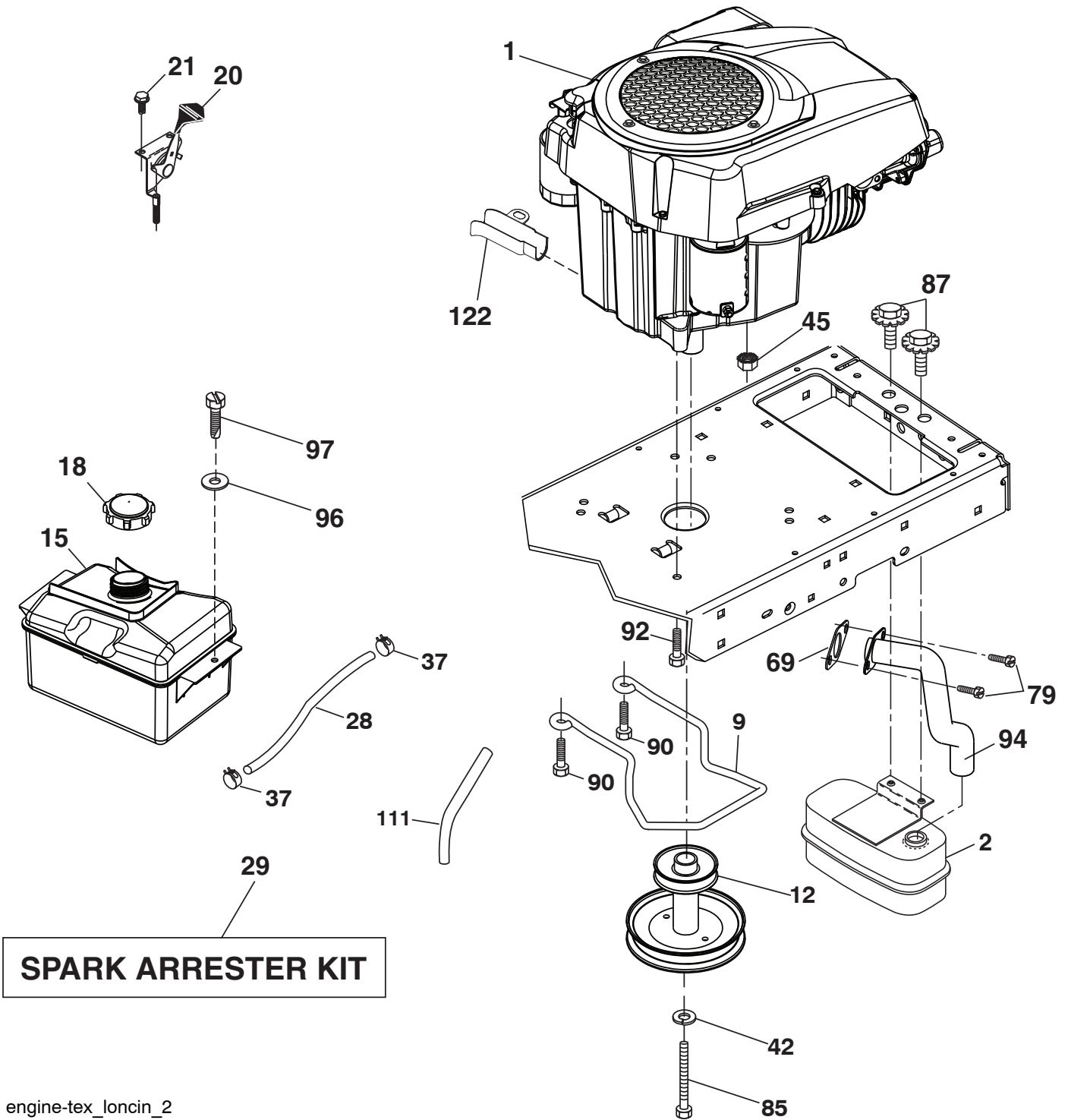
TRACTOR - MODEL NUMBER PP17G42 (96042020300), PRODUCT NO. 960 42 02-03
DRIVE

KEY NO.	PART NO.	DESCRIPTION	KEY NO.	PART NO.	DESCRIPTION
1	---	Transaxle, Peerless 206-565 (197941) (Order parts from transaxle manufacturer.)	159	876 02 04-12	Pin Cotter 1/8 x 3/4
2	532 12 35-83	Key Square	160	532 16 94-84	Retainer Clip
15	819 13 13-16	Washer 13/32 x 13/16 x 16 Ga.	161	532 10 57-09	Spring, Return, Clutch
17	532 19 72-97	Spring, Brake	165	532 19 62-12	Bushing Shaft Brake Hand Control
22	532 19 76-60	Rod Shift	166	532 42 91-64	Nut Push .625
23	532 10 69-33	Knob	167	532 40 52-57	Latch Brake Parking
26	532 19 74-55	Spring Brake RTN	172	532 19 76-57	Strap Torque LH
29	532 19 72-67	Rod, Brake	174	532 19 72-89	Nut Push
33	812 00 00-01	Ring E	175	532 19 62-24	Shaft Asm Shift
35	532 40 10-31	Rod, Brake, Park	176	532 19 62-14	Arm Clevis Rod Shift
37	532 12 17-49	Washer 25/32 x 1-1/4 x 16 Ga.	178	532 19 74-56	Spring Shift
42	532 12 48-72	Cover, Foot Pedal	183	532 13 70-57	Spacer, Axle
49	872 11 06-14	Bolt	184	532 41 14-84	Handle Parking Brake
50	532 19 43-27	Pulley Idler Flat	185	872 11 06-22	Bolt
51	873 90 06-00	Lock Nut 3/8-16	186	532 19 43-21	Spacer Retainer
52	532 19 43-26	Idler V-Groove	187	819 13 32-10	Washer
56	532 19 43-46	V-Belt, Drive	188	582 21 70-01	Link Clutch Ground Drive, Long
61	532 12 36-66	Pulley Transaxle	189	532 19 43-17	Bellcrank Ground Drive
64	532 19 62-00	Shaft Asm. Pedal Brake Control	190	532 19 43-18	Keeper Bellcrank Ground Drive
70	532 41 12-90	Console	192	532 15 03-60	Nut Lock Center 1/4-28
73	874 49 05-40	Bolt 5/16-18 Gr. 5	193	817 06 05-12	Screw 5/16-18 x 3/4
74	532 14 24-32	Screw 1/4 x 1/2	195	532 19 73-32	Bracket Brake Rod
116	873 90 05-00	Nut Lock Hex Flange 5/16-18	202	532 16 62-31	Link Shift
125	817 00 05-12	Screw 5/16-18 x 3/4	203	819 11 11-16	Washer 11/32 x 11/16 x 16 Ga.
134	532 19 76-58	Arm Shift	205	532 12 17-48	Washer 25/32 x 1-5/8 x 16 Ga.
139	874 55 04-12	Bolt 1/4-20 unf Gr. 8 w/Patch	221	532 40 31-87	Retainer Spring Clip Handle
140	810 04 04-00	Washer Lock Hvy Helical 1/4	232	874 78 07-16	Bolt 7/16-14 x 1 Gr. 5
141	819 09 12-10	Washer 9/32 x 3/4 x 10 Ga.	233	532 40 52-96	Washer Serrated
155	812 00 00-28	Ring Retainer			
157	532 10 57-01	Washer Plate Shf			
158	532 19 43-52	Keeper T/A			

NOTE: All component dimensions given in U.S. inches
1 inch = 25.4 mm

REPAIR PARTS

TRACTOR - MODEL NUMBER PP17G42 (96042020300), PRODUCT NO. 960 42 02-03
ENGINE



engine-tex_loncin_2

REPAIR PARTS

TRACTOR - MODEL NUMBER PP17G42 (96042020300), PRODUCT NO. 960 42 02-03
ENGINE

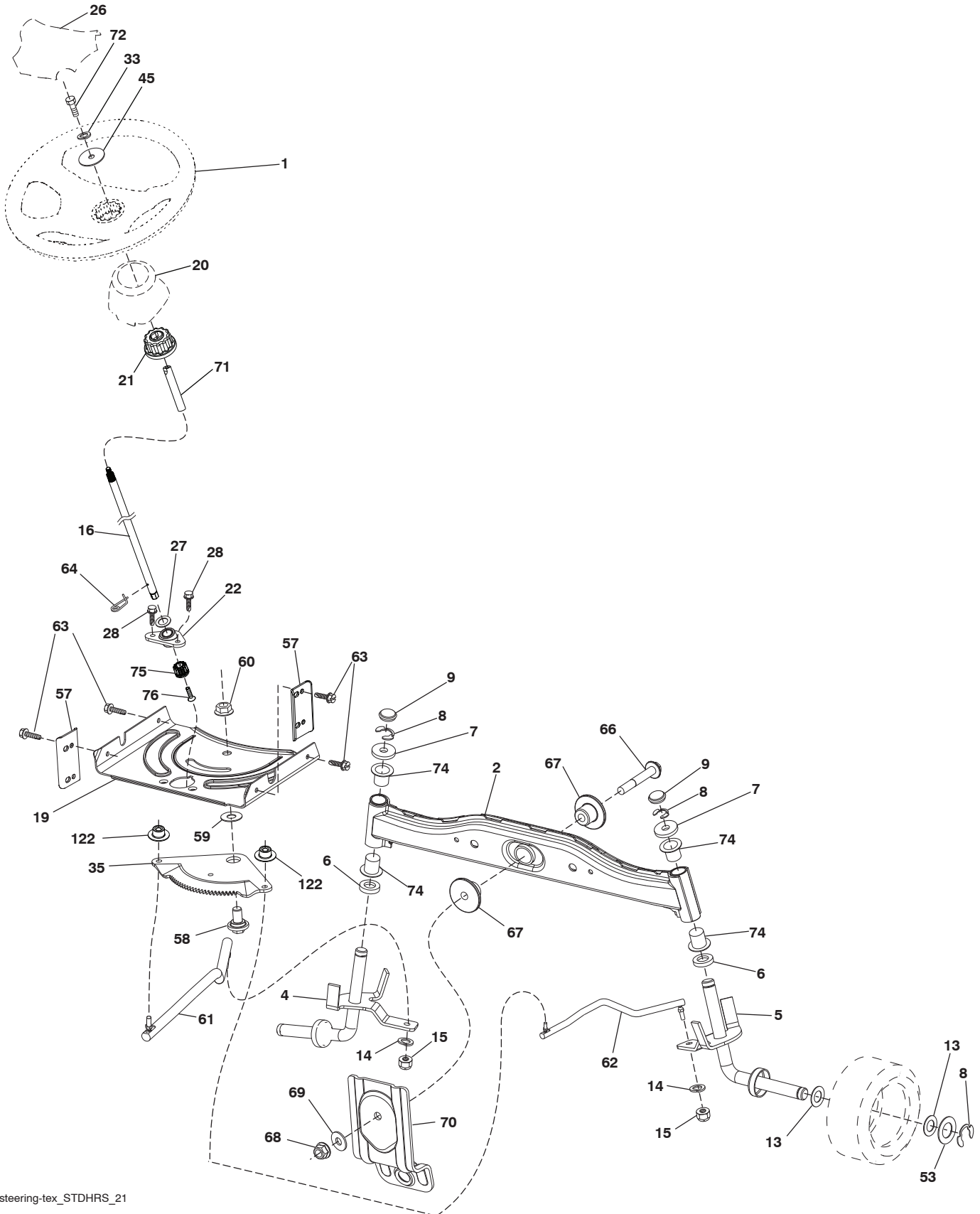
KEY NO.	PART NO.	DESCRIPTION
1	-----	Engine Poulon Pro, Model No. LC1P92F-1 (590825801)(Order parts from engine manufacturer.)
2	532 44 67-60	Muffler
9	582 54 03-02	Keeper Belt Engine
12	586 72 90-01	Pulley Engine
15	532 43 30-08	Tank Fuel 1.5
18	581 17 61-01	Cap Asm
20	532 17 05-45	Control Throttle
21	532 41 63-58	Screw #10 x .750 BOS Thread
28	532 40 11-37	Fuel Line
29	532 13 71-80	Spark Arrester Kit
37	532 12 34-87	Clamp Hose
42	539 99 02-47	Washer SLW STD 7/16
45	873 51 04-00	Nut
69	590 86 35-01	Gasket
79	532 18 39-06	Screw Socket 5/16-18 x 1
85	501 60 65-01	Bolt Hex 7/16-20 x 4 Gr. 5 1.5
87	532 17 18-77	Bolt 5/16-18 unc x 3/4
90	817 00 06-16	Screw 3/8-16 x 1
92	817 12 06-16	Screw 3/8-16 x 1
94	590 86 47-01	Tube Exhaust
96	819 09 14-16	Washer 9/32 x 7/8 x 16 Ga.
97	817 67 04-12	Screw Hexwsh Thdrol 1/4-20 x 3/4
111	532 41 41-19	Purge Line
122	532 42 19-22	Extension Drain Oil

NOTE: All component dimensions given in U.S. inches
1 inch = 25.4 mm

REPAIR PARTS

TRACTOR - MODEL NUMBER PP17G42 (96042020300), PRODUCT NO. 960 42 02-03

STEERING



steering-tex_STDHRS_21

REPAIR PARTS

TRACTOR - MODEL NUMBER PP17G42 (96042020300), PRODUCT NO. 960 42 02-03
STEERING

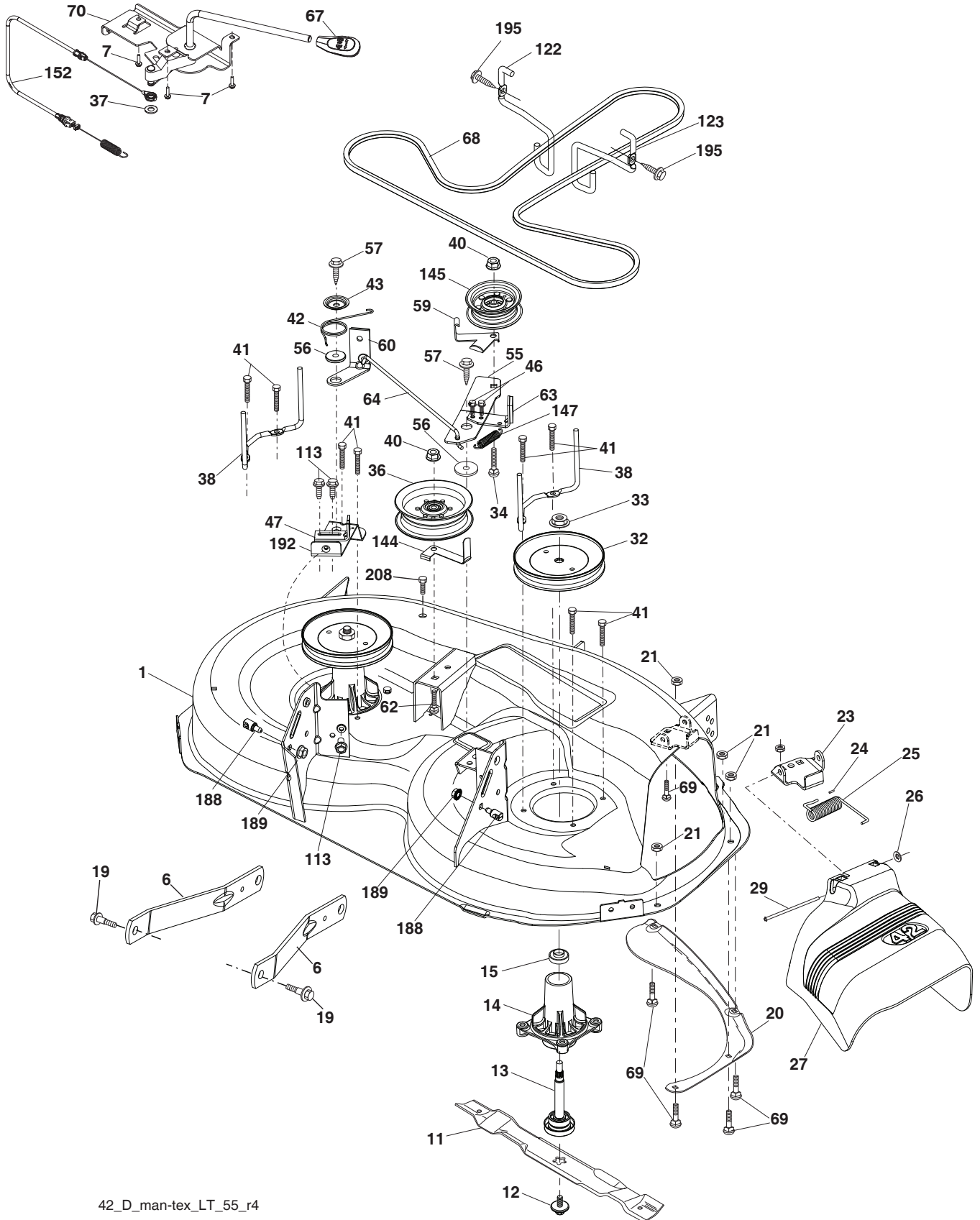
KEY NO.	PART NO.	DESCRIPTION
1	532 42 45-43	Wheel, Steering
2	532 41 81-68	Axle Asm., Front
4	532 40 30-87	Spindle Asm., LH
5	532 40 30-88	Spindle Asm., RH
6	532 12 49-31	Washer Thrust 0.75 x 1.23
7	532 12 17-48	Washer 25/32 x 1-5/8 x 16 Ga.
8	812 00 00-29	Ring, Clip #T5304-75
9	532 12 12-32	Cap, Spindle
13	532 12 17-49	Washer 25/32 x 1-1/4 x 16 Ga.
14	539 99 01-18	Washer SLW ZD 3/8
15	873 54 06-00	Nut, Crown Lock 3/8-24 unf
16	585 86 92-02	Shaft Steering
19	532 19 47-29	Plate Steering
20	532 40 97-63	Boot, Steering
21	532 18 67-37	Adapter, Wheel Steering
22	585 02 98-02	Bearing Subasm Shaft Steer Low
26	532 42 46-91	Insert, Wheel Steering
27	819 21 16-16	Washer 21/32 x 1 x 16 Ga.
28	817 00 06-12	Screw 3/8-16 x 3/4
33	539 99 01-87	Washer Lock 5/16
35	532 19 47-32	Gear, Sector Plate
45	819 11 38-12	Washer 11/32 x 2-3/8 x 12 Ga.
53	532 18 89-67	Washer Hardened .793 x 1.637 x .060
57	532 40 74-65	Bracket Upstop
58	532 19 47-47	Bolt Shoulder Sector Pivot CFM
59	532 19 47-48	Washer Thrust Sector Steering
60	873 97 10-00	Nut Flange Lock 5/8-11
61	532 19 47-40	Draglink, LH
62	532 19 47-41	Draglink, RH
63	817 00 05-12	Screw 5/16-18 x 3/4
64	532 19 98-49	Retainer Clip Spring Steering
66	871 02 07-48	Bolt Hex Fghd 7/16-14 x 3 Serr
67	532 19 47-37	Bushing PM Front Axle
68	873 90 07-00	Nut Lock Flange 7/16-14 Gr. 5
69	532 19 91-62	Washer 1.5 x .505 x .118
70	585 33 88-01	Bracket Deck Susp. Front
71	532 19 07-52	Shaft Ext. Steering
72	532 42 89-82	Bolt 5/16-18 x 4 W/Patch
74	532 12 49-37	Bearing
75	580 68 37-01	Pinion
76	580 68 36-01	Screw Head Sock
122	532 44 49-62	Cap Gear

NOTE: All component dimensions given in U.S. inches
1 inch = 25.4 mm

REPAIR PARTS

TRACTOR - MODEL NUMBER PP17G42 (96042020300), PRODUCT NO. 960 42 02-03

MOWER DECK



REPAIR PARTS

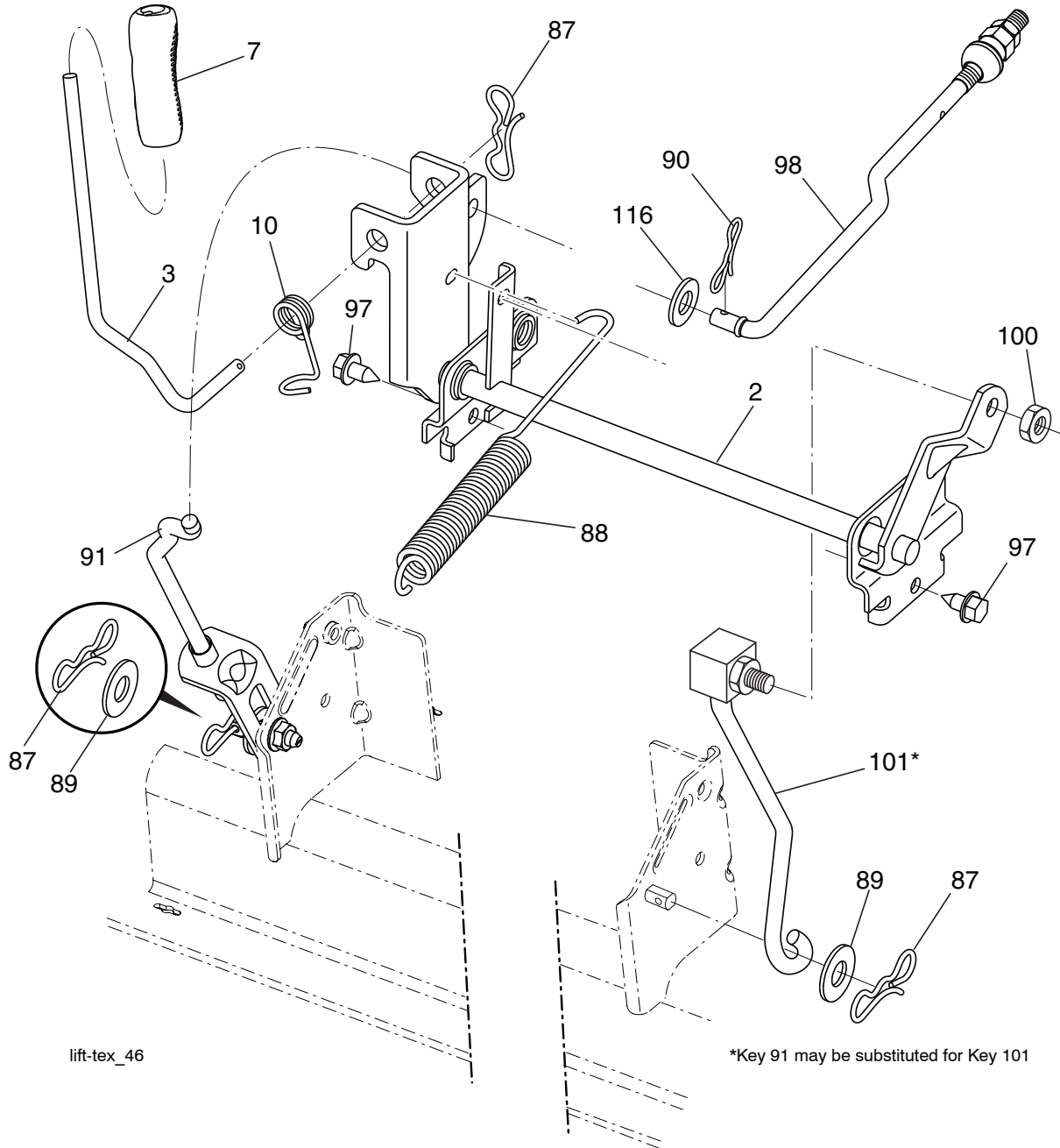
TRACTOR - MODEL NUMBER PP17G42 (96042020300), PRODUCT NO. 960 42 02-03
MOWER DECK

KEY NO.	PART NO.	DESCRIPTION	KEY NO.	PART NO.	DESCRIPTION
1	532 19 99-11	Mower Housing	55	532 43 71-10	Arm, Idler
6	532 19 51-86	Arm Suspension	56	532 19 90-92	Spacer, Retainer
7	532 41 63-58	Screw #10 x 0.750 BOS Thread	57	817 00 06-16	Screw Hexwsh Thd 3/8-16 x 1
11	532 13 89-71	Blade, 42" Hi-Lift (For bagging or discharge)	59	532 14 10-43	Guard, Tuv Idler (94)
--	532 13 97-75	Blade, 42" Mulching Premium (For better wear when mulching)	60	532 19 72-61	Arm Brake Mower
--	532 13 41-49	Blade, 42" Mulching Std (For mulching mowers only)	62	872 11 06-16	Bolt Rdhd Sqnk 3/8-16 unc x 2
--	532 42 47-52	Blade 42SP" 3N1	63	532 19 94-77	Arm Brake Mower
--	532 42 27-19	Blade 42SP" Premium	64	532 19 97-90	Linkage Brake
12	584 30 93-01	Screw	67	532 40 30-12	Handle, Clutch Cable
13	587 25 65-01	Shaft Assembly, Mandrel	68	532 42 96-36	V-Belt
14	532 18 72-81	Housing, Mandrel	69	872 14 05-05	Bolt Rdhd Sqnk 5/16-18 x 5/8
15	585 32 39-01	Bearing, Mandrel	70	532 40 12-46	Clutch Asm. Manual
19	532 19 65-39	Bolt, Shoulder	113	817 00 05-10	Screw 5/16-18
20	532 15 97-70	Baffle, Vortex	122	532 19 72-58	Keeper Belt Eng. LH
21	873 68 05-00	Nut, Crownlock 5/16-18 unc	123	532 19 72-59	Keeper Belt Eng. RH
23	532 19 25-57	Bracket, Deflector	144	532 19 92-04	Keeper Belt
24	532 10 53-04	Cap, Sleeve	145	532 19 31-97	Pulley Idler Primary
25	532 19 70-26	Spring, Torsion, Deflector	147	532 40 19-71	Spring Return
26	532 11 04-52	Nut, Push	152	584 24 35-01	Cable Clutch Manual
27	532 40 30-04	Shield, Deflector	188	532 19 51-61	Stud Fastener
29	532 13 14-91	Rod, Hinge	189	873 90 05-00	Nut Lock Hex Flange
32	532 19 74-73	Pulley, Mandrel	192	532 19 72-60	Bracket Brake Stand LH
33	532 40 02-34	Nut, Toplock, Flanged	195	817 00 06-12	Screw Hexwsh Thdr 3/8-16 x 3/4
34	872 11 06-12	Bolt Carr Sh. 3/8-16 x 1-1/2 Gr. 5	208	817 67 06-08	Screw THDROL 3/8-16 x 1/2
36	532 19 73-79	Pulley, Idler 4.50 RAW	--	587 25 33-01	Mandrel Assembly (Includes housing (key#14), shaft assembly (key#13), and bearing only (key#15) - pulley/nut/washer and blade bolt/washers not included)
37	819 13 13-16	Washer 13/32 x 13/16 x 16 Ga.	--	532 41 52-41	Replacement Mower, Complete
38	532 43 25-20	Keeper Belt Mandrel			
40	873 90 06-00	Nut, Lock Flg. 3/8-16 unc			
41	584 95 39-01	Bolt Hex Wsh Hd 3/13-18 x 1.19			
42	532 19 84-10	Spring Torsion Brake			
43	532 19 72-56	Spring Torsion Retainer			
46	532 13 77-29	Screw Thd Roll 1/4-20 x 5/8			
47	532 19 72-50	Bracket Clutch Cable			

NOTE: All component dimensions given in U.S. inches
1 inch = 25.4 mm

REPAIR PARTS

TRACTOR - MODEL NUMBER PP17G42 (96042020300), PRODUCT NO. 960 42 02-03
MOWER LIFT



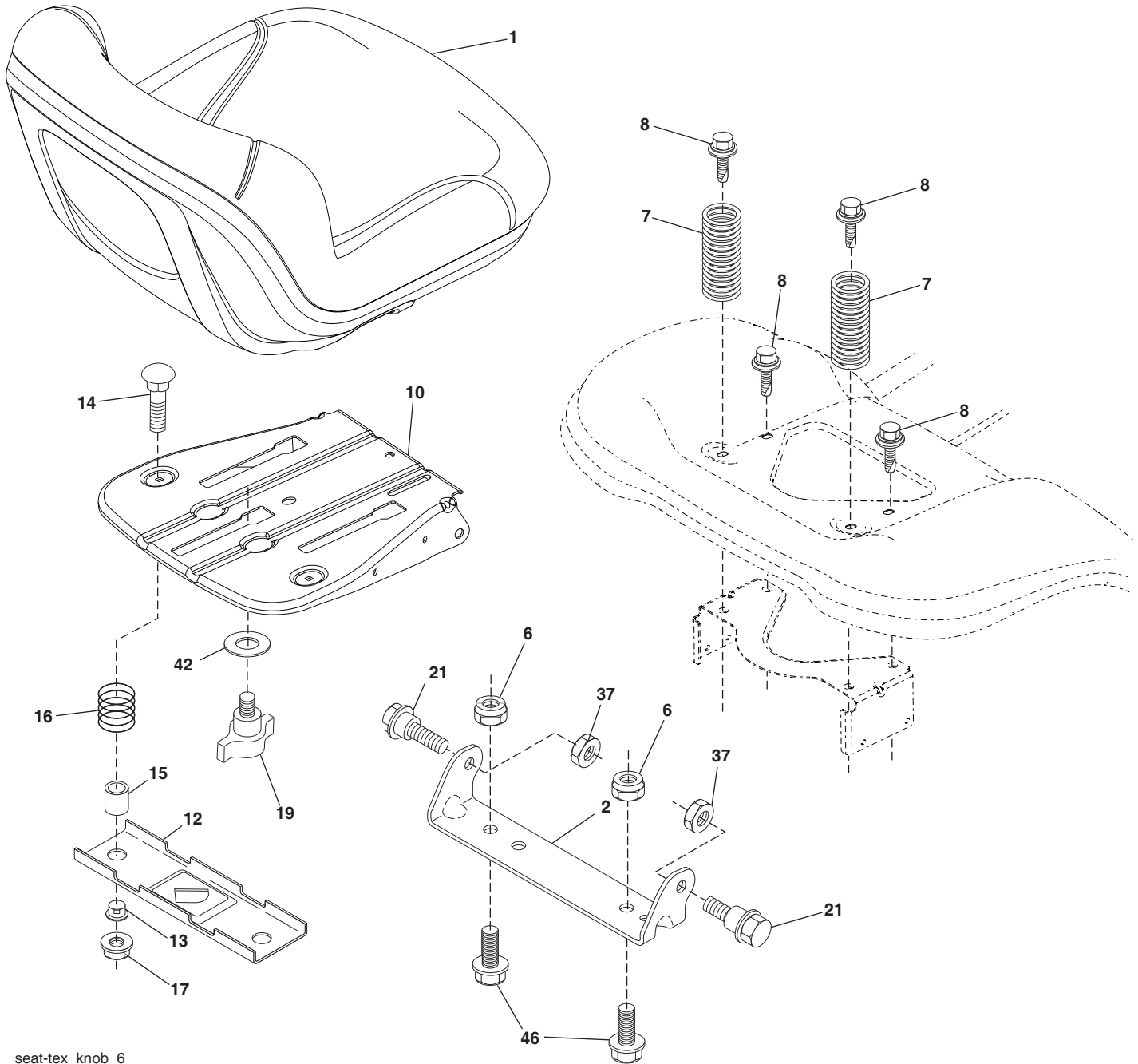
KEY NO.	PART NO.	DESCRIPTION
2	532 42 20-27	Shaft Asm., Cross Lift
3	532 19 52-31	Lever Asm., Lift RH
7	580 96 23-01	Grip, Lever
10	532 19 63-14	Spring Torsion
87	532 19 42-09	Pin Cotter 7/16 Bow Tie Lock
88	532 41 07-10	Spring Lift Assist
89	819 19 19-12	Washer Clear Zinc
90	532 19 42-08	Pin Cotter 5/16 Bow Tie Lock
91	532 19 51-81	Link Lift Susp Mower Rear

KEY NO.	PART NO.	DESCRIPTION
97	817 00 06-12	Screw 3/8-16 x .75 Smgml Tap/R.Z
98	532 19 52-70	Link Lift Susp. Front Mower
100	873 93 06-00	Nut Centerlock 3/8 -16 unc
101	532 40 70-03	Link Asm. Lift Fixed
116	819 15 15-16	Washer 15/32 x 15/16 x 16 Ga.

NOTE: All component dimensions given in U.S. inches
1 inch = 25.4 mm

REPAIR PARTS

TRACTOR - MODEL NUMBER PP17G42 (96042020300), PRODUCT NO. 960 42 02-03
SEAT



seat-tex_knob_6

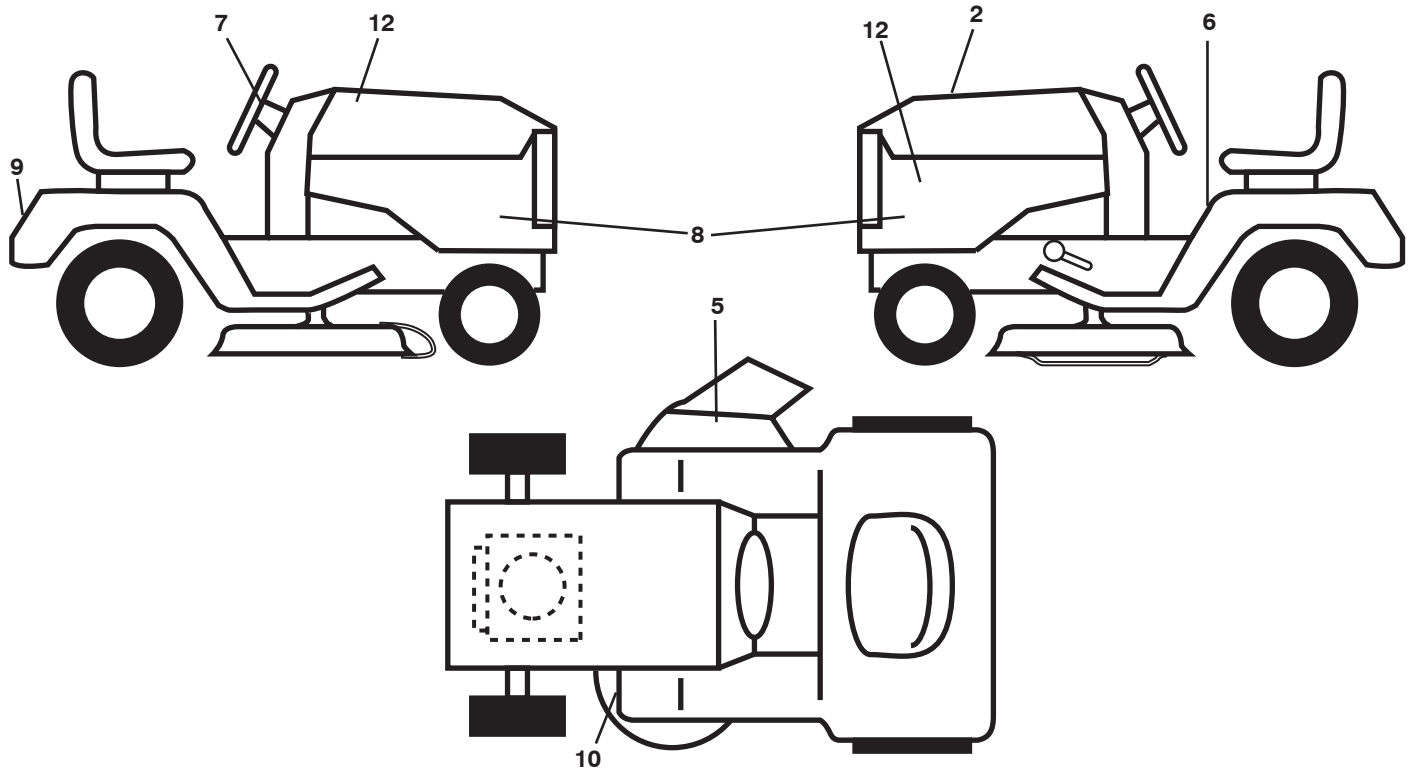
KEY NO.	PART NO.	DESCRIPTION
1	532 40 30-17	Seat
2	532 18 01-66	Bracket Pivot Fender
6	873 80 06-00	Nut, Lock w/Ins. 3/8-16 unc
7	587 61 33-01	Spring, Seat Cprsn
8	532 17 18-77	Bolt 5/16-18 unc x 3/4 w/Sems
10	532 44 18-05	Pan, Seat
12	532 19 93-70	Bracket Mnt.
13	532 12 12-48	Bushing Snap
14	872 05 04-12	Bolt 1/4-20 x 1-1/2
15	532 13 43-00	Spacer Split
16	532 12 37-40	Spring CPRSN Plate

KEY NO.	PART NO.	DESCRIPTION
17	532 12 39-76	Nut Lock 1/4
19	532 19 93-72	Knob Seat
21	587 90 78-01	Bolt, Shoulder 5/16-18 x 5/8
37	873 80 05-00	Nut, Lock 5/16-18 unc
42	532 19 93-71	Cup Washer
46	588 09 04-01	Bolt 3/8-16 x 1; 1.25 OD

NOTE: All component dimensions given in U.S. inches
1 inch = 25.4 mm

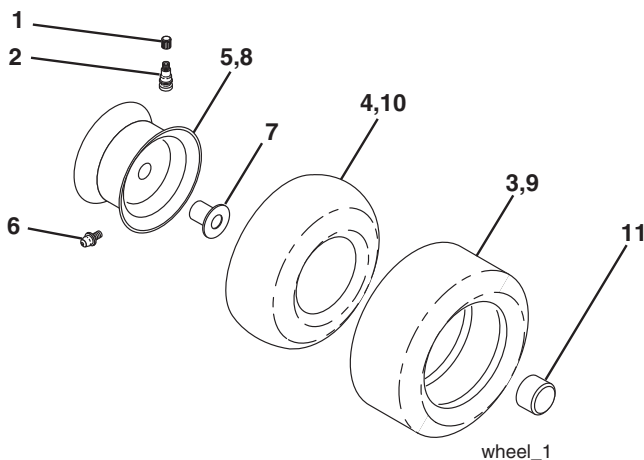
REPAIR PARTS

TRACTOR - MODEL NUMBER PP17G42 (96042020300), PRODUCT NO. 960 42 02-03
DECALS



KEY NO.	PART NO.	DESCRIPTION	KEY NO.	PART NO.	DESCRIPTION
2	591 44 62-01	Decal, Replacement	12	582 67 74-01	Decal, Hood RH/LH
5	584 90 46-01	Decal, Deflect. Warning	--	532 41 12-73	Pad Footrest RH
6	581 57 89-01	Decal, Fender Warning	--	532 40 95-05	Pad Footrest LH
7	582 67 72-01	Decal, Ins Str Wh	--	115 92 18-49	Manual, Operator's (English/Spanish)
8	591 48 74-01	Decal, Side Panel	--	115 92 19-49	Manual, Parts (English/Spanish)
9	582 67 73-01	Decal, Fender	--	115 63 96-46	Manual, Quick Start Guide (English/Spanish)
10	581 58 00-01	Decal, V-Belt Sch.			

WHEELS & TIRES

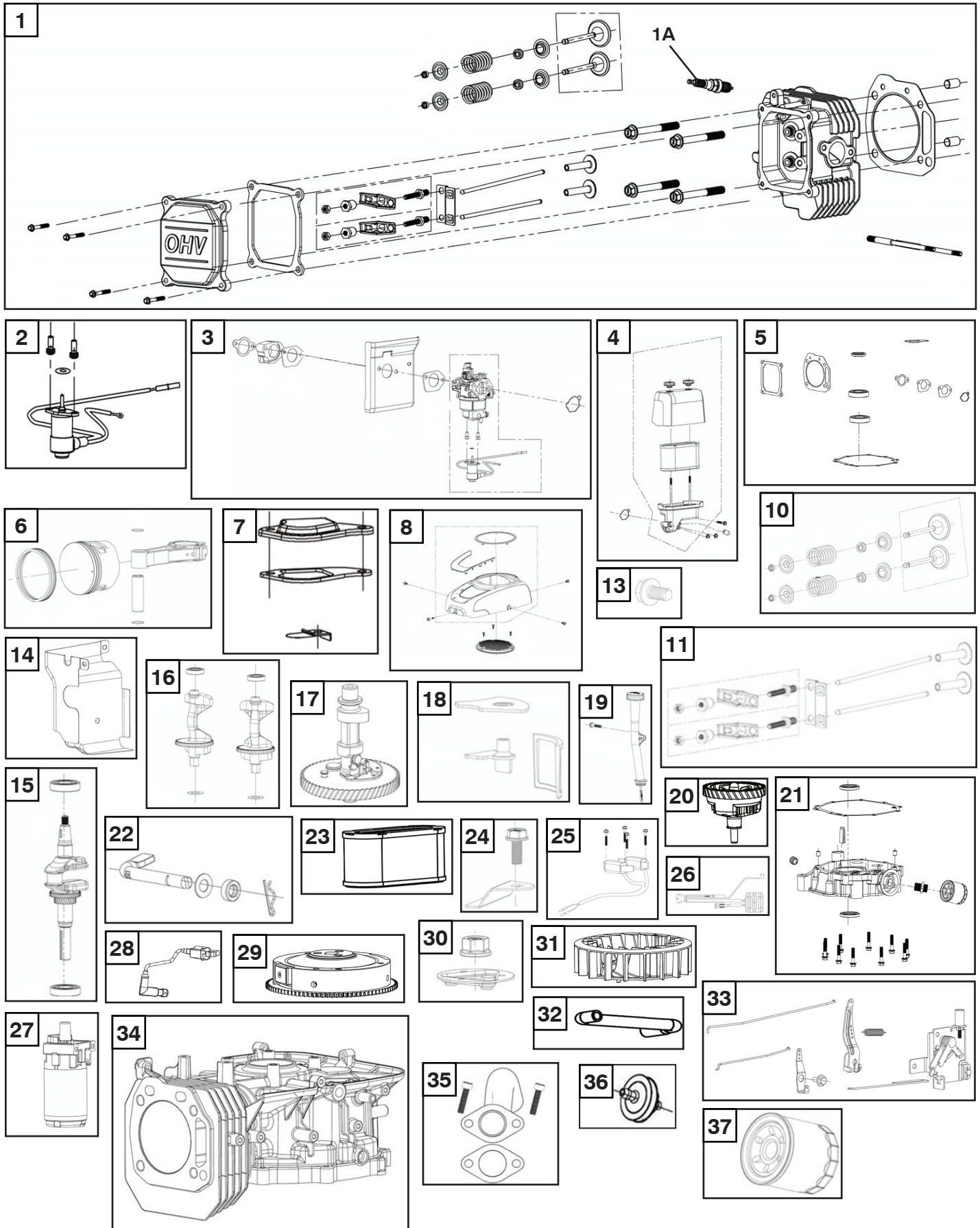


KEY NO.	PART NO.	DESCRIPTION
1	532 05 91-92	Cap, Tire Valve
2	532 06 51-39	Stem, Valve
3	532 10 62-22	Tire, Front 15 x 6-6
4	532 05 99-04	Tube, Front (Service item only)
5	532 12 51-21	Rim Assembly, 6" Front
6	532 12 49-57	Fitting, Grease (Front wheel only)
7	532 12 49-59	Bearing, Flange (Front wheel only)
8	532 12 51-22	Rim Assembly, 8" Rear
9	532 13 84-68	Tire, Rear 20 x 8-8
10	532 12 49-26	Tube, Rear (Service item only)
11	532 19 32-68	Cap, Hub Axle
--	532 14 43-34	Sealant, Tire (10 oz. Tube)

NOTE: All component dimensions given in U.S. inches
1 inch = 25.4 mm

SERVICE NOTES

**TRACTOR - - MODEL NO. PP17G42 (96042020300), PRODUCT NO. 960 42 02-03
POULAN PRO ENGINE (452 CC)**



**TRACTOR - - MODEL NO. PP17G42 (96042020300), PRODUCT NO. 960 42 02-03
POULAN PRO ENGINE (452 CC)**

ITEM NO.	PART NO.	DESCRIPTION	QTY.
1	590904901	CYLINDER HEAD COMP KIT	1
1A	591165501	SPARK PLUG	1
2	590905101	SOLENOID KIT	1
3	590905201	CARBURETOR KIT	1
4	590905301	AIR CLEANER KIT	1
5	590905401	GASKET AND SEAL KIT	1
6	590905501	PISTON AND RING SET, PISTON KIT	1
7	590905601	COVER COMP BREATHER AND STRAINER FUEL KIT	1
8	590905701	START COVER KIT	1
10	590971701	VALVE KIT	1
11	590971801	ROCKER ARM KIT	1
13	590971901	HEXAGON BOLT WITH FLANGE	1
14	590972101	AIR DEFLECTOR	1
15	590972201	CRANKSHAFT KIT	1
16	590972301	BALANCING SHAFT KIT	1
17	590972401	CAMSHAFT ASSY	1
18	590972501	OIL STRAINER KIT	1
19	590972601	FILL TUBE KIT	1
20	590972701	COMPONENTS OF GOVERNOR GEAR	1
21	590972801	CRANKCASE COVER KIT	1
22	590972901	SPEED REGULATING ARM KIT	1
23	590973101	AIR FILTER ELEMENT COMBINATION	1
24	590973501	PRESSING PLATE KIT	1
25	590973601	CHARGING ARMATURE KIT	1
26	590973801	VOLTAGE RECTIFIER	1
27	590974301	STARTER MOTOR KIT	1
28	590975801	COIL ASSY.,IGNNTION	1
29	590978001	FLYWHEEL COMP	1
30	590992201	STARTING DISC KIT	1
31	590992301	IMPELLER	1
32	590965901	BREATHER TUBE	1
33	590992501	THROTTLE LEVER KIT	1
34	592951101	CRANKCASE BODY KIT	1
35	592952001	EXHAUST PIPE KIT	1
36	591165801	FUEL FILTER	1
37	591165901	OIL FILTER	1

POULANPRO®

PARTS AND SERVICE

This product has been expertly engineered and carefully manufactured to rigid quality standards. As with all mechanical products, some adjustments or part replacement may be necessary during the life of your unit.

Support / Help

If you require assistance or have questions concerning the application, operation, maintenance or parts for your product:

- Visit our website: www.poulanpro.com
- Call Us Toll Free: 1-800-487-5951
- For replacement parts, have available the following information:
 - a. Model Number / Manufacturer's I.D. Number
 - b. Description of part.

NOTE: HOP provides parts and service through its authorized distributors and dealers; therefore, all requests for parts and service should be directed to your local dealer(s). The philosophy of HOP is to continually improve all of its products. If the operating characteristics or the appearance of your product differs from those described in this Manual, please contact your local dealer for updated information and assistance.

POULANPRO® PARTES Y SERVICIOS

Este producto ha sido diseñado por expertos y fabricado con cuidado según estrictas normas de calidad. Como con todos los productos mecánicos, pueden requerirse algunos ajustes o el cambio de algunas piezas durante la vida útil de la unidad.

Soporte / Ayuda

Si necesita asistencia o tiene alguna pregunta acerca de la aplicación, operación, mantenimiento o piezas de su producto:

- Visite nuestro sitio web: www.poulanpro.com
- Llámennos de manera gratuita al: 1-800-487-5951
- Para obtener repuestos, tenga preparada la siguiente información:
 - a. Número de modelo / Número de I.D. del fabricante
 - b. Descripción de la pieza.

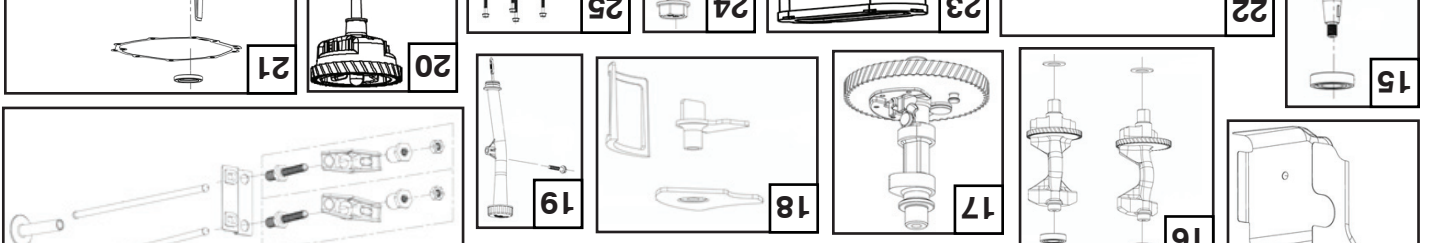
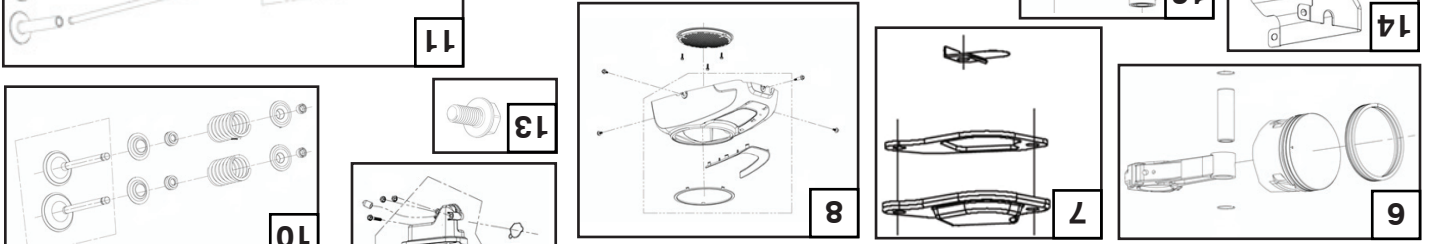
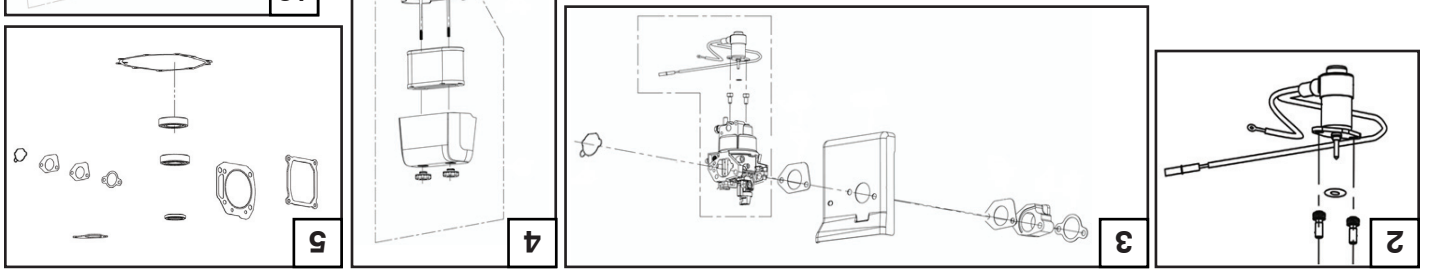
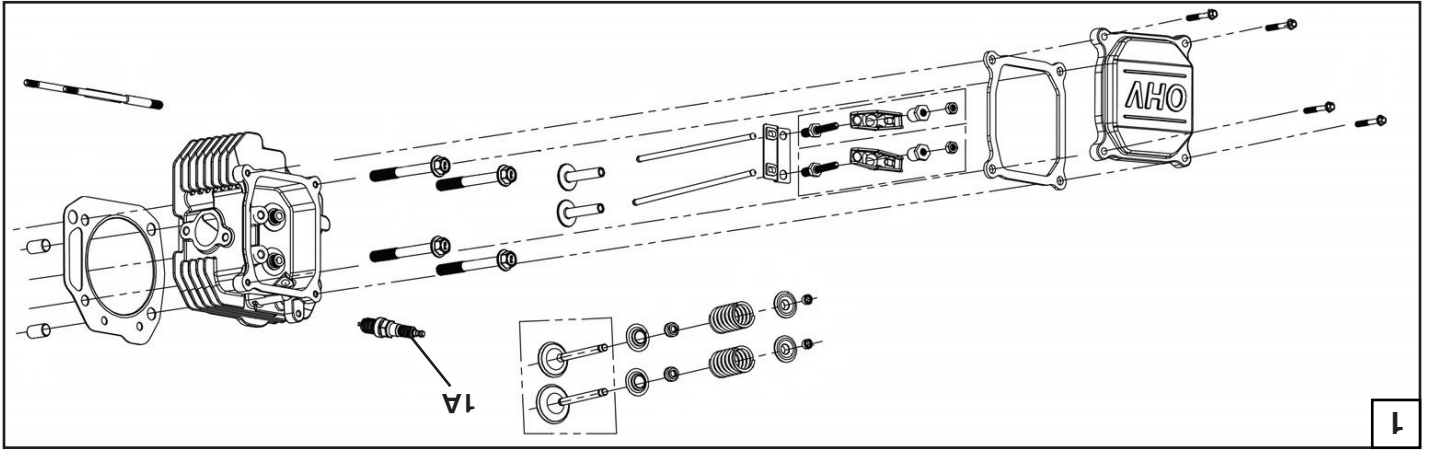
NOTA:

HOP ofrece piezas y servicio a través de sus distribuidores y concesionarios autorizados; por lo tanto, todas las solicitudes de piezas y servicio deben dirigirse a su concesionario local. Es la filosofía de HOP mejorar permanentemente todos sus productos. Si las características operativas o el aspecto de su producto difiere de los descritos en este Manual, contacte a su concesionario local para solicitar información actualizada y asistencia.

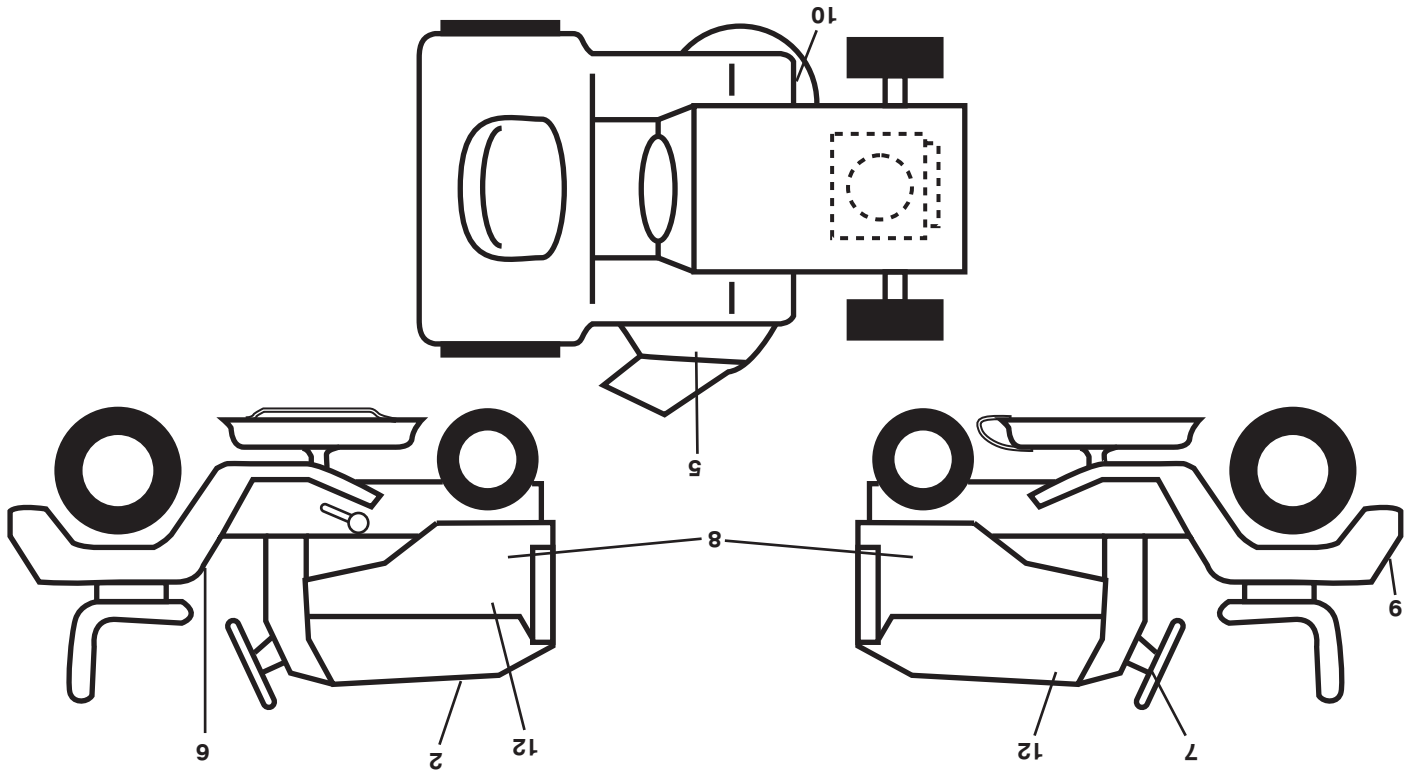
TRACTOR - - NÚMERO DE MODELO PP17G42 (96042020300), NÚMERO DE PROD. 960 42 02-03 MOTOR POULAN PRO (452 CC)

CANT.	DESCRIPCIÓN	CÓDIGO PIEZA	No.
1	KIT COMPLETO DE LA CULATA	590904901	1
1	BUJÍA	591165501	1A
1	KIT DEL SOLENOIDE	590905101	2
1	KIT DEL CARBURADOR	590905201	3
1	KIT DEL PURIFICADOR DEL AIRE	590905301	4
1	KIT DE LA JUNTA Y DEL SELLO	590905401	5
1	CONJUNTO DE ANILLOS Y PISTÓN, KIT DE PISTÓN	590905501	6
1	KIT COMPLETO DE LA CUBIERTA DEL FILTRO DE COMBUSTIBLE Y DEL RESPIRADOR	590905601	7
1	KIT DE LA CUBIERTA DEL ARRANCADOR	590905701	8
1	KIT DE LA VÁLVULA	59091701	10
1	KIT DEL BRAZO BALANCI	590917801	11
1	PERNO HEXAGONAL CON BRIDA	590917901	13
1	DEFLECTOR DE AIRE	59092101	14
1	KIT DEL CIGÜENAL	590922201	15
1	KIT DEL EJE DE EQUILIBRIO	590922301	16
1	CONJUNTO DEL ÁRBOL DE LEVAS	59092401	17
1	KIT DEL FILTRO DE ACEITE	59092501	18
1	KIT DEL TUBO DE LLENADO	59092601	19
1	COMPONENTES DEL ENGRANAJE DEL REGULADOR	59092701	20
1	KIT DE LA CUBIERTA DEL CÁRTER	59092801	21
1	KIT DEL BRAZO REGULADOR DE VELOCIDAD	59092901	22
1	COMBINACIÓN DEL ELEMENTO DEL FILTRO DE AIRE	590973101	23
1	KIT DE LA PLACA DE PRESIÓN	590973501	24
1	KIT DE LA ARMADURA DE CARGA	590973601	25
1	RECTIFICADOR DE TENSION	590973801	26
1	KIT DEL MOTOR DE ARRANQUE	590974301	27
1	CONJUNTO DE LA BOBINA, ENCENDIDO	590975801	28
1	COMPLETO DEL VOLANTE	590978001	29
1	KIT DEL DISCO DE ARRANQUE	590992201	30
1	PROPULSOR	590992301	31
1	TUBO DEL RESPIRADOR	590965901	32
1	KIT DE LA PALANCA DEL ACCELERADOR	591165901	33
1	KIT DE CARROCERÍA DEL CÁRTER	592951101	34
1	KIT DEL TUBO DE ESCAPE	592952001	35
1	FILTRO DE COMBUSTIBLE	591165801	36
1	FILTRO DE ACEITE	591165901	37

TRACTOR - - NÚMERO DE MODELO PP17G42 (96042020300), NÚMERO DE PROD. 960 42 02-03 MOTOR POU LAN PRO (452 CC)



CALCOMANÍAS



CÓDIGO PIEZA No.

DESCRIPCIÓN

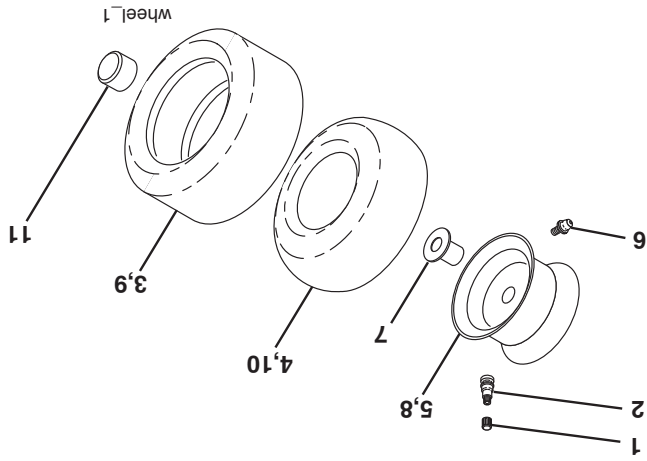
2	591 44 62-01	Calcomanía, reemplazo
5	584 90 46-01	Calcomanía advertencia
6	581 57 89-01	Calcomanía advertencia
7	582 67 72-01	Calcomanía de dirección
8	591 48 74-01	Calcomanía para el panel lateral
9	582 67 73-01	Calcomanía para el guardabarros
10	581 58 00-01	Calcomanía del diagrama de la cortadora de césped

CÓDIGO PIEZA No.

DESCRIPCIÓN

12	582 67 74-01	Calcomanía para la capota LD/LI
--	532 41 12-73	Forro del apoyo para los pies (LD)
--	532 40 95-05	Forro del apoyo para los pies (LI)
--	115 92 18-49	Manual del operario (Inglés/Espa- ñol)
--	115 92 19-49	Manual de piezas (Inglés/Español)
--	115 63 96-46	Guía de inicio rápido (Inglés/Español)

RUEDAS Y NEUMÁTICOS

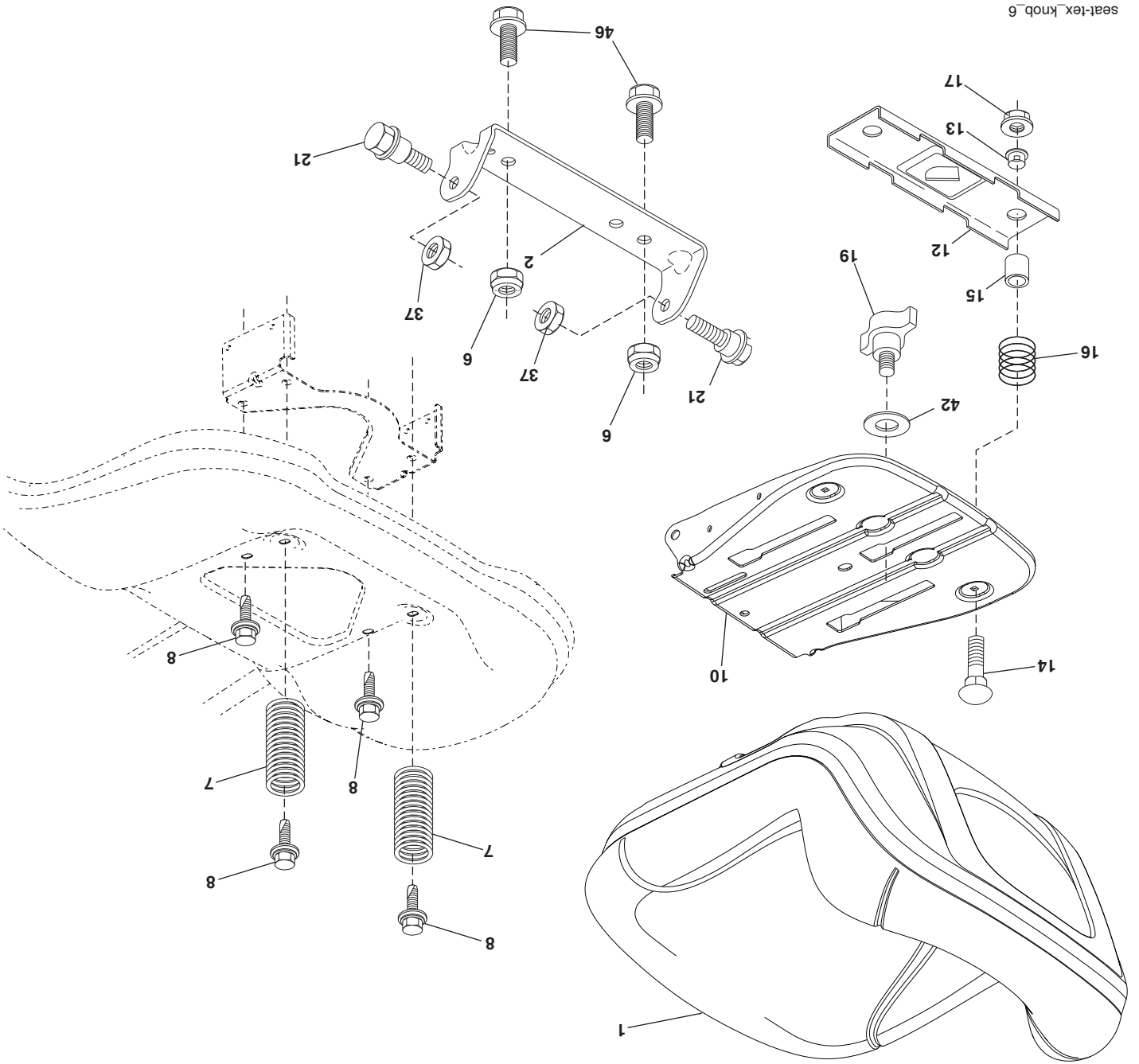


CÓDIGO PIEZA No.

DESCRIPCIÓN

1	532 05 91-92	Tapa de la válvula del neumático
2	532 06 51-39	Vástago de la válvula
3	532 10 62-22	Neumático delantero 15 x 6-6
4	532 05 99-04	Cámara delantera
5	532 12 51-21	Ensamble de las llantas delanteras (Mantenimiento sólo)
6	532 12 49-57	Accesorio para engrasar
7	532 12 49-59	(Sólo para la rueda delantera) Rodamiento de la brida
8	532 12 51-22	(Sólo para la rueda delantera) Ensamble trasero de la llanta
9	532 13 84-68	Neumático trasero 20 x 8-8
10	532 12 49-26	Cámara trasera
11	532 19 32-68	Tapa del eje (Mantenimiento sólo)
--	532 14 43-34	Sellador para neumáticos (tubo de 10 onzas [283 gr])

NOTA: Las dimensiones de todos los componentes están expresadas en pulgadas = 25,4 mm



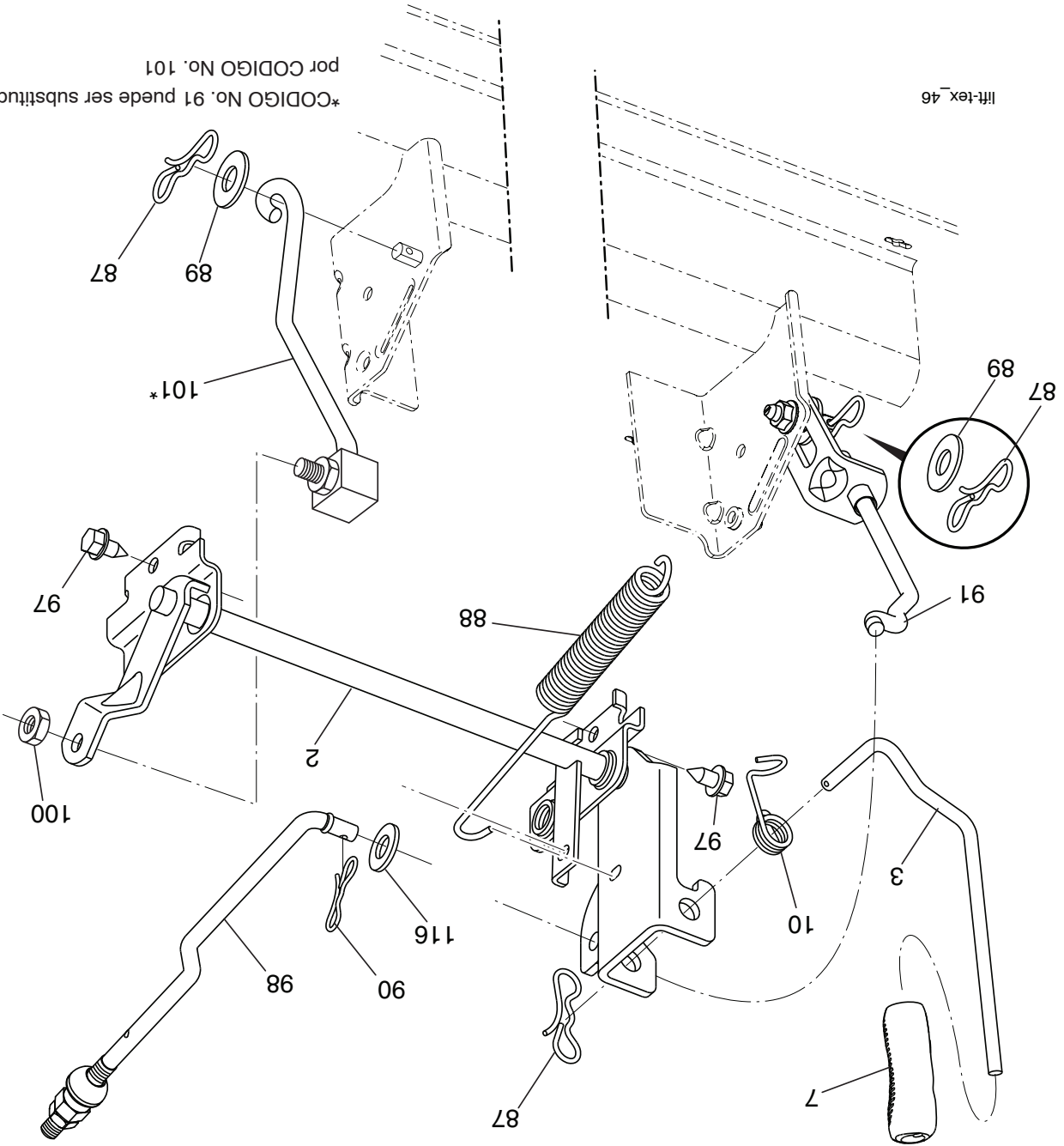
seat-tex_knob_6

No.	CODIGO PIEZA	DESCRIPCIÓN
1	532 40 30-17	Asiento
2	532 18 01-66	Soporte pivotante del guardabarros
6	873 80 06-00	Tuerca 3/8-16 unc
7	587 61 33-01	Resorte del asiento
8	532 17 18-77	Perno 5/16-18 unc x 3/4
10	532 44 18-05	Bandeja del asiento
12	532 19 93-70	Soporte
13	532 12 12-48	Buje
14	872 05 04-12	Perno 1/4-20 x 1-1/2
15	532 13 43-00	Separador
16	532 12 37-40	Resorte para trabar el asiento
17	532 12 39-76	Tuerca 1/4

No.	CODIGO PIEZA	DESCRIPCIÓN
19	532 19 93-72	Perilla de asiento
21	587 90 78-01	Perno 5/16-18 x 5/8
37	873 80 05-00	Tuerca 5/16-18 unc
42	532 19 93-71	Arandela
46	588 09 04-01	Perno 3/8-16 x 1; 1.25 OD

NOTA: Las dimensiones de todos los componentes están expresadas en pulgadas=25,4 mm

**TRACTOR MODELO NO. PP17G42 (96042020300), PRODUCTO NO. 960 42 02-03
ELEVACIÓN DE LA CORTADORA DE CÉSPED**



CÓDIGO PIEZA	No.	DESCRIPCIÓN
90	532 19 42-08	bloqueo en forma de mariposa
89	819 19 19-12	Pasador de chaveta de 5/16 con Arandela de zinc transparente
88	532 41 07-10	Resorte de ayuda de la elevación
87	532 19 42-09	bloqueo en forma de mariposa
10	532 19 63-14	Pasador de chaveta de 7/16 con Resorte de torsión
7	580 96 23-01	Mango de la palanca derecha
3	532 19 52-31	Ensamble de la palanca de elevación
2	532 42 20-27	Ensamble del eje de la elevación
CÓDIGO PIEZA	No.	DESCRIPCIÓN
91	532 19 51-81	Ensamble del acoplamiento Elevación trasera
97	817 00 06-12	Tornillo 3/8-16 x 3/4
98	532 19 52-70	Acoplamiento frontal de la elevación de la cortadora de césped
100	873 93 06-00	Tuerca de presión central de 3/8-16
101	532 40 70-03	Ensamble del acoplamiento Elevación
116	819 15 15-16	Arandela 15/32 x 15/16 x calibre 16

NOTA: Las dimensiones de todos los componentes están expresadas en pulgadas = 25,4 mm

TRACTOR MODELO NO. PP17G42 (96042020300), PRODUCTO NO. 960 42 02-03

PLATAFORMA DE LA CORTADORA DE CÉSPED

CÓDIGO PIEZA	No.	DESCRIPCIÓN	CÓDIGO PIEZA	No.	DESCRIPCIÓN
532 19 99-11	1	Carcasa de la cortadora de césped	532 14 10-43	59	Dispositivo de protección de la polea (94)
532 41 63-58	6	Brazo de la suspensión	532 19 72-61	60	Brazo del freno de la cortadora de césped
532 13 89-71	11	Cuchilla de la cortadora de césped, 42"	872 11 06-16	62	Perno 3/8-16 unc x 2
532 13 97-75	--	Cuchilla, prima 42"	532 19 94-77	63	Brazo del freno de la cortadora de césped
532 13 41-49	--	(Mejor usado para cuando mulching)	532 19 97-90	64	Varillaje del freno
532 42 47-52	--	Cuchilla, mantillo 42"	532 40 30-12	67	Manija
532 42 27-19	--	(Para cortacéspedes mulching sólo)	532 42 96-36	68	Correa trapezoidal de la transmisión
532 42 27-19	--	Cuchilla 42SP" 3N1	872 14 05-05	69	Perno 5/16-18 x 5/8
532 42 27-19	--	Cuchilla 42SP" Prima	532 40 12-46	70	Ensamble del embrague Manual
584 30 93-01	12	Tornillo 7/16-20 x 1	817 00 05-10	113	Tornillo 5/16-18
532 25 65-01	13	Ensamble del eje del mandril	532 19 72-58	122	Sujetador izquierdo de la correa del motor
532 18 72-81	14	Carcasa del mandril	532 19 72-59	123	Sujetador derecho de la correa del motor
585 32 39-01	15	Rodamiento de bolas del mandril	532 19 92-04	144	Sujetador de la correa del motor
532 19 65-39	19	Perno	532 19 31-97	145	Polea loca primaria
532 15 97-70	20	Deflector	532 40 19-71	147	Retorno del resorte
873 68 05-00	21	Tuerca 5/16-18 unc	584 24 35-01	152	Cable de embrague manual
532 19 25-57	23	Soporte del deflector	532 19 51-61	188	Sujetador del travesaño
532 10 53-04	24	Tapa de la manga	873 90 05-00	189	Tuerca
532 19 70-26	25	Resorte de torsión del deflector	532 19 72-60	192	Soporte (L1)
532 11 04-52	26	Tuerca	817 00 06-12	195	Tornillo 3/8-16 x 3/4
532 40 30-04	27	Protector del deflector	817 00 06-12	195	Tornillo 3/8-16 x 1/2
532 13 14-91	29	Varilla de la bisagra	587 25 33-01	--	Ensamble del Mandril (solo incluye la carcasa (#14), el ensamble del eje (#13) y el rodamiento (#15); no incluye la polea/tuerca/arandela ni los pernos/arandelas de la cuchilla) Reemplazo de la cortadora de césped, completa
532 19 74-73	32	Polea del mandril	532 41 52-41	--	
532 40 02-34	33	Tuerca			
532 19 74-73	32	Polea del mandril			
872 11 06-12	34	Perno 3/8-16 x 1-1/2 grado 5			
532 19 73-79	36	Polea 4.50			
819 13 13-16	37	Arandela 13/32 x 13/16 x calibre 16			
532 43 25-20	38	Sujetador de la correa del mandril			
873 90 06-00	40	Tuerca 3/8-16 unc			
584 95 39-01	41	Perno 313-18 x 1.19			
532 19 84-10	42	Resorte de torsión del freno			
532 19 72-56	43	Resorte de torsión de retención			
532 13 77-29	46	Tornillo 1/4-20 x 5/8			
532 19 72-50	47	Soporte			
532 43 71-10	55	Brazo de la polea			
532 19 90-92	56	Espaciador de retención			
817 00 06-16	57	Tornillo 3/8-16 x 1			

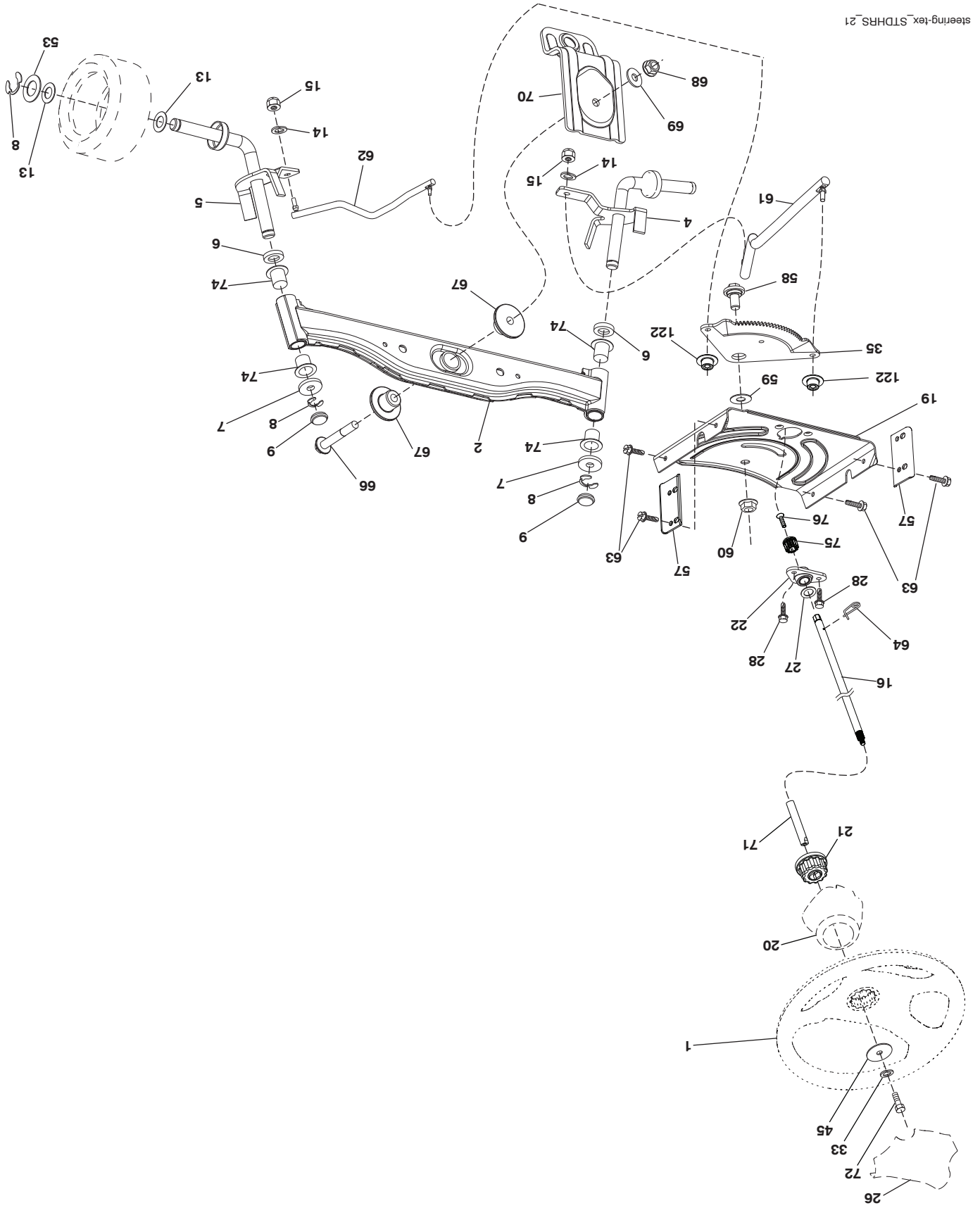
NOTA: Las dimensiones de todos los componentes están expresadas en pulgadas americanas. 1 pulgada = 25,4 mm

CÓDIGO PIEZA
No. No.
DESCRIPCIÓN

1	532 42 45-43	Volante de dirección
2	532 41 81-68	Ensamble del eje delantero
4	532 40 30-87	Ensamble del husillo izquierdo (LI)
5	532 40 30-88	Ensamble del husillo izquierdo (LD)
6	532 12 49-31	Arandela 0.75 x 1.23
7	532 12 17-48	Arandela 25/32 x 1-5/8 x calibre 16
8	812 00 00-29	Abrazadera del aro No. T5304-75
9	532 12 12-32	Tapas del husillo
13	532 12 17-49	Arandela 25/32 x 1-1/4 x calibre 16
14	539 99 01-18	Arandela SLW ZD 3/8
15	873 54 06-00	Tuerca 3/8-24
16	585 86 92-02	Eje de dirección
19	532 19 47-29	Placa de dirección
20	532 40 97-63	Cubierta de la dirección
21	532 18 67-37	Adaptador del volante de dirección
22	585 02 98-02	Soprote
26	532 42 46-91	Inserto del volante de dirección
27	819 21 16-16	Arandela 21/32 x 1 x calibre 16
28	817 00 06-12	Tornillo 3/8-16 x 3/4
33	539 99 01-87	Arandela 5/16
35	532 19 47-32	Engranaje del sector de la placa
45	819 11 38-12	Arandela 1 1/32 x 2-3/8 x calibre
53	532 18 89-67	Arandela .793 x 1.637 x .060
57	532 40 74-65	Topo superior del soporte
58	532 19 47-47	Perno
59	532 19 47-48	Arandela
60	873 97 10-00	Tuerca 5/8-11
61	532 19 47-40	Barra de acoplamiento izquierda
62	532 19 47-41	Barra de acoplamiento derecha
63	817 00 05-12	Tornillo 5/16-18 x 3/4
64	532 19 98-49	Abrazadera de retención del resorte de la dirección
66	871 02 07-48	Perno 7/16-14 x 3
67	532 19 47-37	Buje PM del eje delantero
68	873 90 07-00	Tuerca 7/16-14 Gr. 5
69	532 19 91-62	Arandela 1.5 x .505 x .118
70	585 33 88-01	Soporte
71	532 19 07-52	Extensión
72	532 42 89-82	Perno 5/16-18 x 4
74	532 12 49-37	Rodamiento
75	580 68 37-01	Piñón
76	580 68 36-01	Tornillo
122	532 44 49-62	Tapas

NOTA: Las dimensiones de todos los componentes están expresadas en pulgadas americanas. 1 pulgada = 25,4 mm

TRACTOR MODELO NO. PP17G42 (96042020300), PRODUCTO NO. 960 42 02-03
ENSAMBLE DE LA DIRECCIÓN

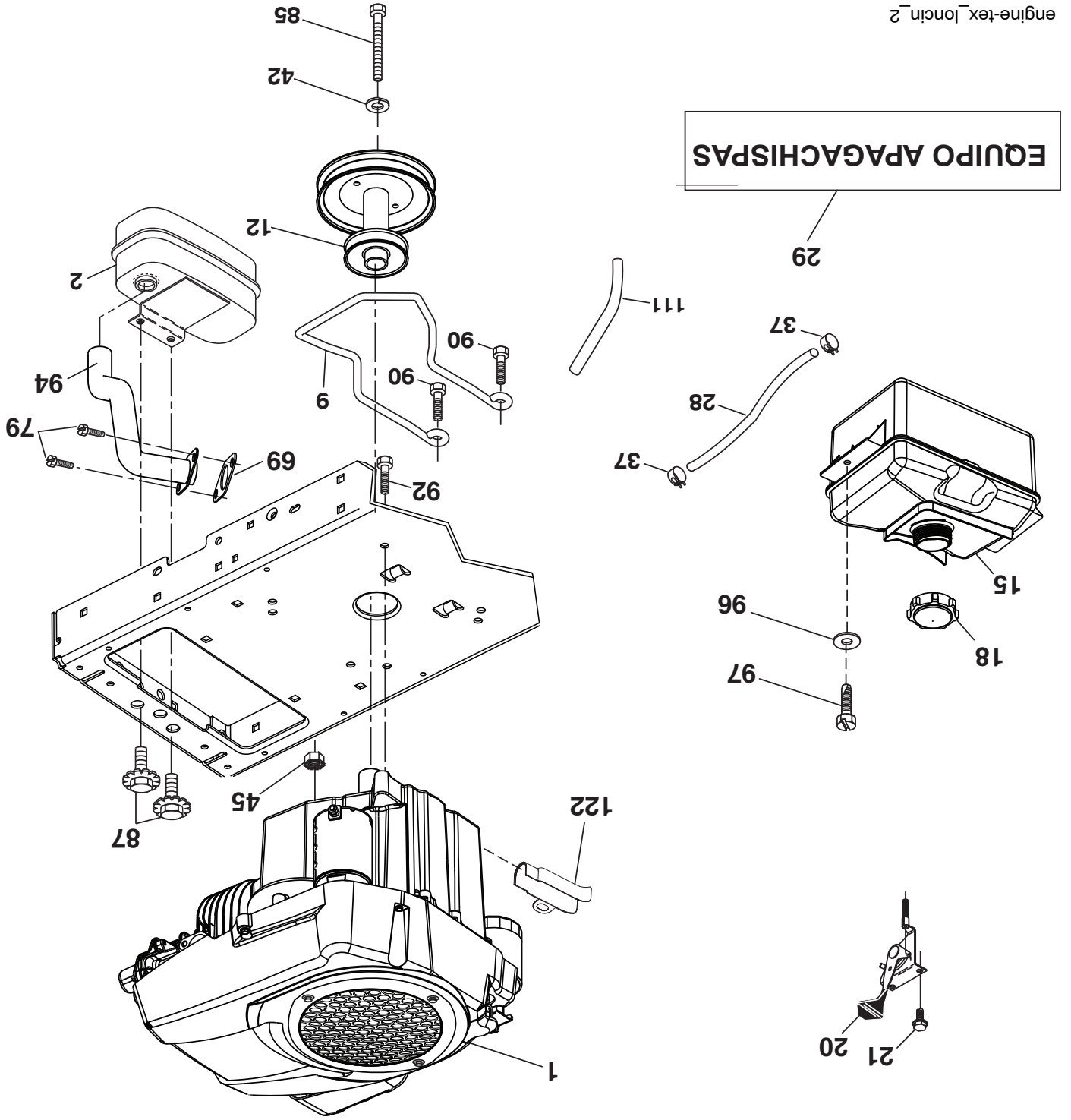


steering-tex STDHRS_21

CÓDIGO PIEZA	No.	DESCRIPCIÓN
1	---	Motor Poulon Pro modelo no. LC1P92F-1 (590825801) (Haga el pedido de las piezas al Fabricante del motor);
2	532 44 67-60	Silenciador
9	582 54 03-02	Ensamble del sujetador de la correa del motor
12	586 72 90-01	Polea del motor
15	532 43 30-08	Tanque de combustible
18	581 17 61-01	Ensamble de la tapa
20	532 17 05-45	Control de aceleración/estrangulación
21	532 41 63-58	Tornillo
28	532 40 11-37	Línea de combustible
29	532 13 71-80	Equipo apagachispas
37	532 12 34-87	Abrazadera de la manguera
42	810 04 07-00	Arandela de presión de 7/16
45	873 51 04-00	Tureca
69	532 16 52-91	Junta del silenciador
79	532 19 23-34	Tornillo 5/16-18 x .75
81	532 14 84-56	Tubo de drenaje
82	532 42 82-87	Válvula fácil del drenaje del aceite
84	817 06 06-20	Tornillo 3/8-16 x 1-1/4
85	501 60 65-01	Perno 7/16-20 x 4 x grado 5-1.5
87	532 17 18-77	Perno 5/16-18 x 3/4
90	817 00 06-16	Tornillo 3/8-16 X 1
94	590 86 47-01	Tubo de escape
96	819 09 14-16	Arandela 9/32 x 7/8 x calibre 16
97	817 67 04-12	Tornillo 1/4-20 x 3/4
111	532 41 41-19	Acete de drenaje de extensión
122	532 42 19-22	Línea de purge

Información de Clasificación de Potencia del Motor

La clasificación de potencia para un modelo de motor a gas en particular se designa de acuerdo al código J1940 de SAE (Sociedad de Ingenieros Automotrices) (Procedimiento de Clasificación de Potencia & Torque del Motor Pequeño), y la clasificación de desempeño ha sido obtenida y corregida de acuerdo con el código J1995 de SAE (Revisión 2002-05). Los valores de torque se obtienen a 3060 RPM; los valores de potencia se obtienen a 3600 RPM. La potencia bruta actual del motor será inferior y está afectada, entre otras cosas, por las condiciones ambientales operativas y la variabilidad de motor a motor. Dado ambos un amplio conjunto de productos en los cuales son puestos nuestros motores, y la variedad de emisiones ambientales aplicables al operar el equipo, el motor a gas no desarrollará la potencia nominal cuando sea usado en una parte del equipo acoplado (potencia real "en el-sitio" o potencia neta). Esta diferencia se debe a una variedad de factores que incluyen, pero que no están limitados a, accesorios (filtro de aire, sistema de escape, sistema de carga, sistema de enfriamiento, carburador, bomba de combustible, etc.) limitaciones de la aplicación, condiciones ambientales de operación (temperatura, humedad, altitud), y la variabilidad de motor a motor. Debido a las limitaciones, Briggs & Stratton puede sustituir este motor con clasificación de potencia más alta por esta serie de motor.



engine-text_loncin_2

TRACTOR MODELO NO. PP17G42 (96042020300), PRODUCTO NO. 960 42 02-03

TRANSMISIÓN

CÓDIGO PIEZA	No.	DESCRIPCIÓN	CÓDIGO PIEZA	No.	DESCRIPCIÓN
1	---	Transje, Peerless 206-565	166	532 42 91-64	Tuerca .625
		(197941) (Haga el pedido de las	167	532 40 52-57	Bloqueo
2	532 12 35-83	piezas al fabricante del transeje.)	172	532 19 76-57	Correa de torsión (LI)
			174	532 19 72-89	Tuerca
15	819 13 13-16	Arandela 13/32 x 13/16 x calibre	175	532 19 62-24	Ensamble del eje control
			176	532 19 62-14	Brazo
17	532 19 72-97	Resorte	178	532 19 74-56	Resorte
22	532 19 76-60	Varilla	183	532 13 70-57	Separador del eje
23	532 10 69-33	Perrilla	184	532 41 14-84	Manija del freno de mano
26	532 19 74-55	Resorte RTN	185	872 11 06-22	Perno
29	532 19 72-67	Varilla del freno	186	532 19 43-21	Espaciador de retención
33	812 00 00-01	Aro "E"	187	819 13 32-10	Arandela
35	532 40 10-31	Varilla del freno de mano	188	582 21 70-01	Mecanismo de desplazamiento de la varilla de mando del embrague
37	532 12 17-49	Arandela 25/32 x 1-1/4 x calibre 16			
42	532 12 48-72	Cubierta del pedal			
49	872 11 06-14	Perno	189	532 19 43-17	Palanca acodada del mecanismo de desplazamiento
50	532 19 43-27	Polea loca plana			
51	873 90 06-00	Tuerca 3/8-16	190	532 19 43-18	Sujetador de la palanca acodada del mecanismo de desplazamiento
52	532 19 43-26	Polea loca con ranura en "V"			
56	532 19 43-46	Correa trapezoidal de la transmisión	192	532 15 03-60	Tuerca 1/4-28
61	532 12 36-66	Polea	193	817 06 05-12	Tornillo 5/16-18 x 3/4
64	532 19 62-00	Ensamble del eje Control del pedal	195	532 19 73-32	Soporte
			202	532 16 62-31	Mecanismo de desplazamiento
			203	819 11 11 1-16	Arandela 11/32 x 11/16 x calibre 16
70	532 41 12-90	Consola de freno	205	532 12 17-48	Arandela 25/32 x 1-5/8 x calibre 16
73	874 49 05-40	Perno 5/16-18 grado 5			
74	532 14 24-32	Tornillo 1/4 x 1/2	221	532 40 31-87	Resorte de retención
116	873 90 05-00	Tuerca 5/16-18	232	874 78 07-16	Perno 7/16-14 x 1 grado 5
125	817 00 05-12	Tornillo 5/16-18 x 3/4			
134	532 19 76-58	Brazo			
139	874 55 04-12	Perno 1/4-20 unf grado 8			
140	810 04 04-00	Arandela 1/4			
141	819 09 12-10	Arandela 9/32 x 3/4 x calibre 10			
155	812 00 00-28	Abrazadera de retención			
157	532 10 57-01	Arandela			
158	532 19 43-52	Sujetador			
159	876 02 04-12	Pasador de chaveta de 1/8 x 3/4			
160	532 16 94-84	Abrazadera de retención			
161	532 10 57-09	Resorte			
165	532 19 62-12	Buje			

NOTA: Las dimensiones de todos los componentes están expresadas en pulgadas = 25,4 mm

CÓDIGO PIEZA	No.	DESCRIPCIÓN
5	532 42 57-72	Tablero
14	532 40 95-98	Capota
18	587 70 08-01	Parrilla
34	580 91 08-01	Chapa Motor
36	817 06 05-12	Tornillo 5/16-18 x 3/4
37	532 42 09-86	Guardabarros
52	873 68 05-00	Tuerca 5/16-18
68	539 99 08-58	Tornillo 5/16-18 x 1/2
125	581 68 48-01	Sorpe
130	532 41 63-58	Tornillo #10 x 0.750
138	532 40 97-30	Portavasos
146	581 85 79-01	Perno
150	532 40 83-10	Cubierta térmica del conducto
151	532 18 75-68	Soprote giratoria
152	532 19 95-35	Protector contra oscurecimiento
153	532 44 42-64	Lente
159	817 00 06-12	Tornillo 3/8-16 x 3/4
162	532 14 24-32	Tornillo 1/4 x 1/2
175	532 19 94-72	Travesaño
176	532 40 07-76	Tornillo 10-24 x 5/8
177	532 19 52-28	Buje
180	532 19 54-57	Chasis
181	532 40 47-96	Buje de soporte del guardabarros de carga
182	532 40 71-76	Tablero inferior
183	874 52 05-20	Perno 5/16-18 x 1-1/4
189	817 00 05-12	Tornillo 5/16-18 x 3/4
191	532 41 65-02	Inserto LD
194	873 90 05-00	Tuerca 5/16-18
196	532 41 45-81	Ensamble de la consola de la plataforma de elevación
213	874 76 05-12	Perno 5/16-18 x 3/4
217	532 40 91-67	Varilla giratoria
218	532 19 63-95	Tope
225	532 40 95-85	Pare-chocs
228	532 19 51-61	Sujetador del travesaño
235	532 40 61-29	Separador del guardabarros
236	873 93 05-00	Tuerca 5/16-18
237	532 40 37-04	Tapón
287	817 60 04-06	Tornillo 1/4-20 x 3/8
297	532 40 18-27	Inserto LI
306	873 90 06-00	Tuerca

NOTA: Las dimensiones de todos los componentes están expresadas en pulgadas americanas. 1 pulgada = 25,4 mm

CÓDIGO PIEZA **No.**
DESCRIPCIÓN

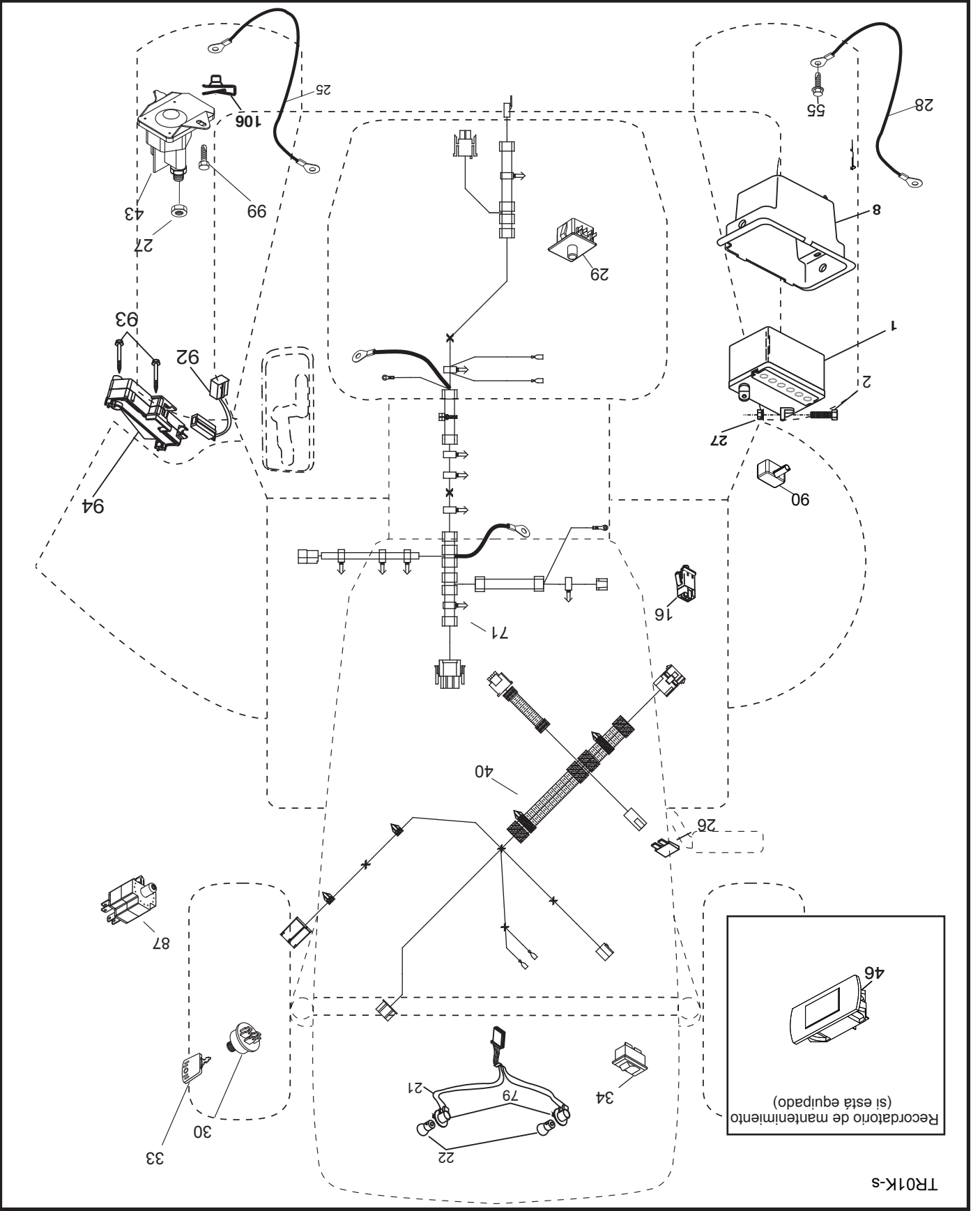
532 16 34-65	1	Batería
874 76 04-12	2	Fermo de cabeza hexagonal de 1/4-20 x 3/4
532 19 32-28	8	Caja de la batería
532 17 61-38	16	Interruptor corta corriente a presión
532 40 02-52	21	Cableado del enchufe para la luz
532 00 41-52	22	Enchufe para la luz
581 49 80-01	25	Cable
532 17 51-58	26	Fusible
873 51 04-00	27	Tuerca hexagonal de 1/4-20 unc
532 42 16-86	28	Cable a tierra
532 19 27-49	29	Interruptor del asiento
532 19 33-50	30	Interruptor de encendido
532 41 19-33	33	Llave/cadena
532 11 07-12	34	Interruptor
581 02 31-01	40	Cableado del tablero de encendido
582 04 28-01	43	Solenoides
817 06 05-12	55	Tornillo 5/16-18 x 3/4
501 13 37-01	71	Cableado del chasis
532 17 52-42	79	Bombilla de luz
532 19 78-02	87	Interruptor corta corriente a presión
532 43 53-95	90	Tapa de los bornes de la batería
532 19 66-15	92	Interruptor reverso de la coleta del arnés
532 19 25-40	93	Tornillo 10-14 x 2.0
532 19 18-34	94	Reves del módulo ROS
817 67 04-12	99	Tornillo 1/4-20 x 3/4
532 17 48-14	106	Tuerca 1/4

NOTA: Las dimensiones de todos los componentes están expresadas en pulgadas americanas. 1 pulgada = 25,4 mm

TRACTOR MODELO NO. PP17G42 (96042020300), PRODUCTO NO. 960 42 02-03
DIAGRAMA ELÉCTRICO

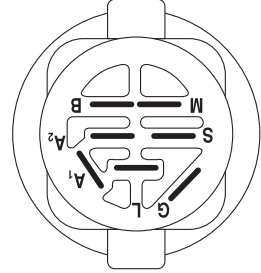
TR01K-S

46
Recordatorio de mantenimiento
(si está equipado)

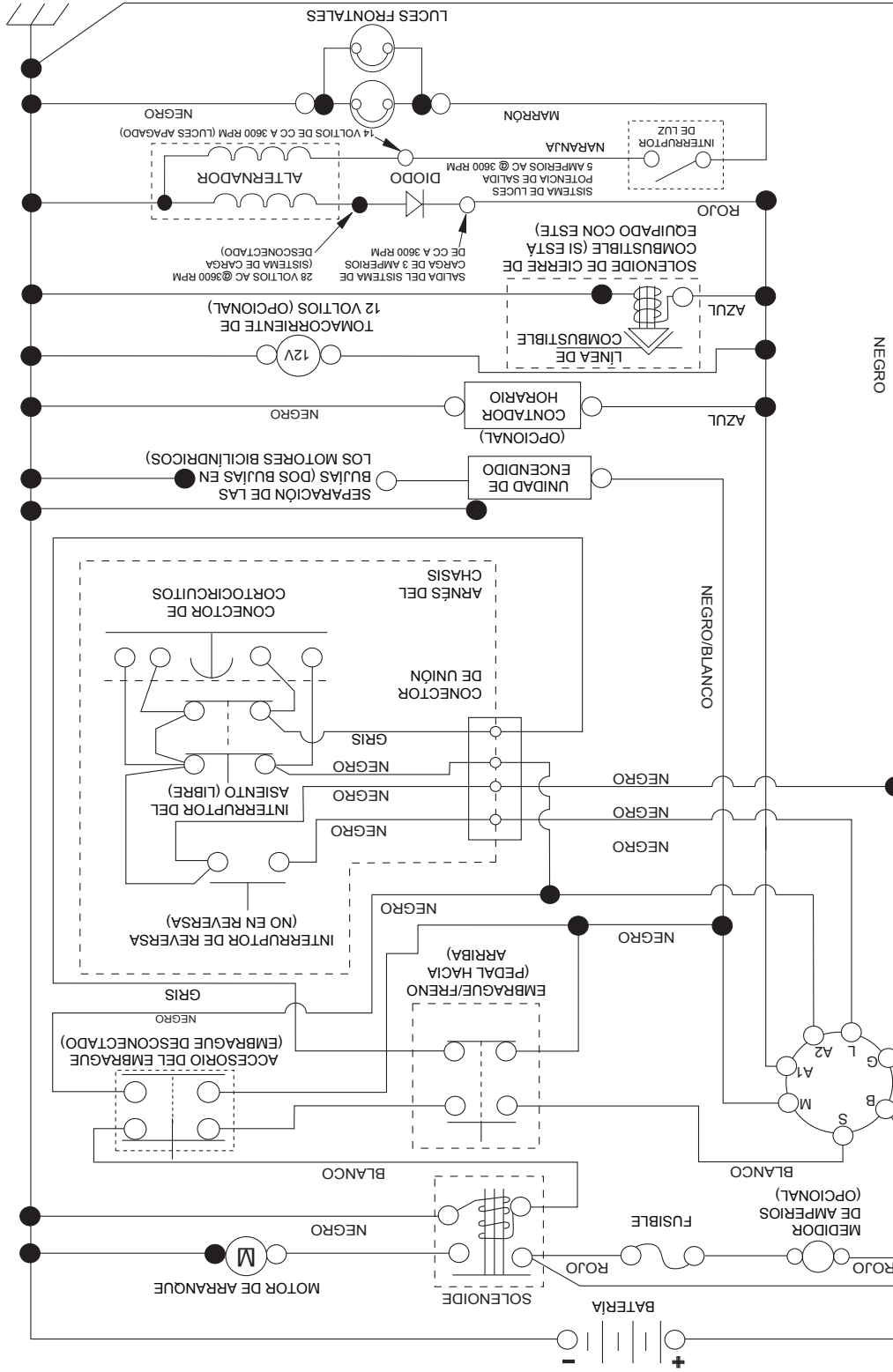
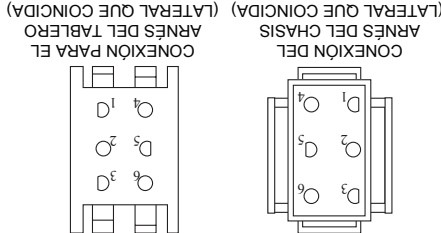
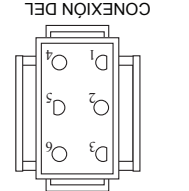


NOTAS:
 QUE SU TRACTOR ES EQUIPADO CON UN SISTEMA ESPECIAL DE ALTERNADOR. LAS LUCES NO SON CONECTADAS A LA BATERIA, PERO TIENEN SU PROPIA FUENTE ELECTRICA. A CAUSA DE ESTO, EL BRILLO DE LAS LUCES CAMBIARA CON LA VELOCIDAD DE MOTOR. EN LENTO, LAS LUCES NO SON COMO BRILLANTES. CUANDO EL MOTOR ES ACELERADO, LA LUZ CONSEGUIRÁ MÁS BRILLANTE.

INTERRUPTOR DE ENCENDIDO



POSICIÓN	CIRCUITO «MARCA»
APAGADO	M+G+A1
PONER EN FUNCION- NAMIENTO/ANULAR	B+A1
PONER EN FUNCIO- NAMIENTO	B+A1 L+A2
ARRANCAR	B+S+A1



NOTA SOBRE LAS ABRAZADERAS DE AISLAMIENTO DEL CABLEADO. SI SE QUITAN LAS ABRAZADERAS DE AISLAMIENTO DEL CABLEADO PARA HACER EL MANTENIMIENTO DE LA UNIDAD, SE LAS DEBERÁ INSTALAR NUEVAMENTE PARA PROTEGER EL CABLEADO ADECUADAMENTE.

CONEXIONES NO DESMONTABLES

CONEXIONES DESMONTABLES

COMO UTILIZAR ESTE MANUAL

Este manual está diseñado para brindarle al comprador un medio para identificar las piezas del tractor para cuando necesite hacer el pedido de un repuesto. Las ilustraciones pueden o no representar los ensamblajes reales; por lo tanto, no se recomienda utilizar este manual como una guía para ensamblar o desarmar el tractor. Algunos accesorios y piezas están dibujados en tamaños más grandes para identificarlos con mayor facilidad.

Cada tractor tiene su propio número de modelo.

El número de modelo del tractor se encuentra en el guardabarros debajo del asiento. Cuando haga el pedido de una pieza, siempre brinde la siguiente información:

- Producto: "TRACTOR"
- NÚMERO DE MODELO: "PP17G42 (96042020300)"
- Número de pieza
- Descripción de la pieza

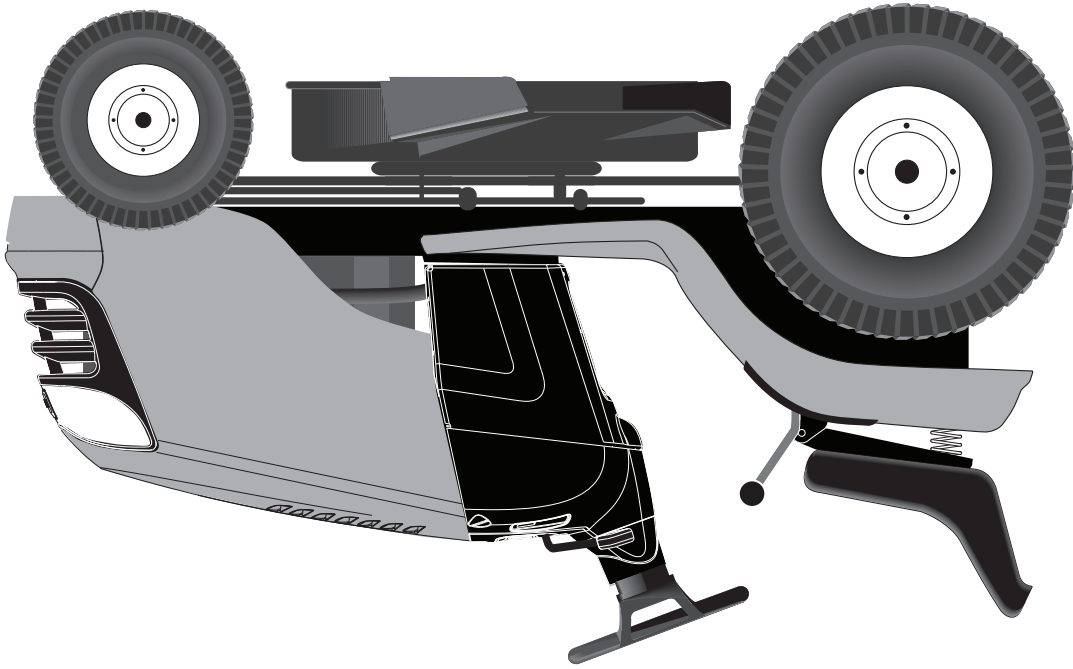
INDICE

DIAGRAMA.....	3
DIAGRAMA ELÉCTRICO.....	4-5
CHASIS.....	6-7
TRANSMISIÓN.....	8-9
MOTOR.....	10-11
DIRECCIÓN.....	12-13
PLATAFORMA DE LA CORTADORA DE CÉSPED.....	14-15
ELEVACIÓN DE LA CORTADORA DE CÉSPED.....	16
ASIENTO.....	17
CALCOMANÍAS.....	18
MOTOR DESCOMPOSTURA.....	20
PARTES Y SERVICIOS.....	22

MANUAL IMPORTANTE

NO TÍRALO A FUERA

POULAN[®]PRO



MANUAL DE REPUESTOS

MODEL:

PP17G42

TRACTOR PARA CÉSPED

SIEMPRE USE PROTECCIONES PARA LOS OJOS MIENTRAS OPERE ESTE TRACTOR

Leer, entender y seguir todas las instrucciones sobre la máquina y en el manual antes de empezar. Si no se observan las instrucciones de seguridad siguientes se pueden producir lesiones graves o la muerte.

ADVERTENCIA: 

115 92 19-49 Rev. 3

12.19.17 CL
Impreso en los E.E.U.U.