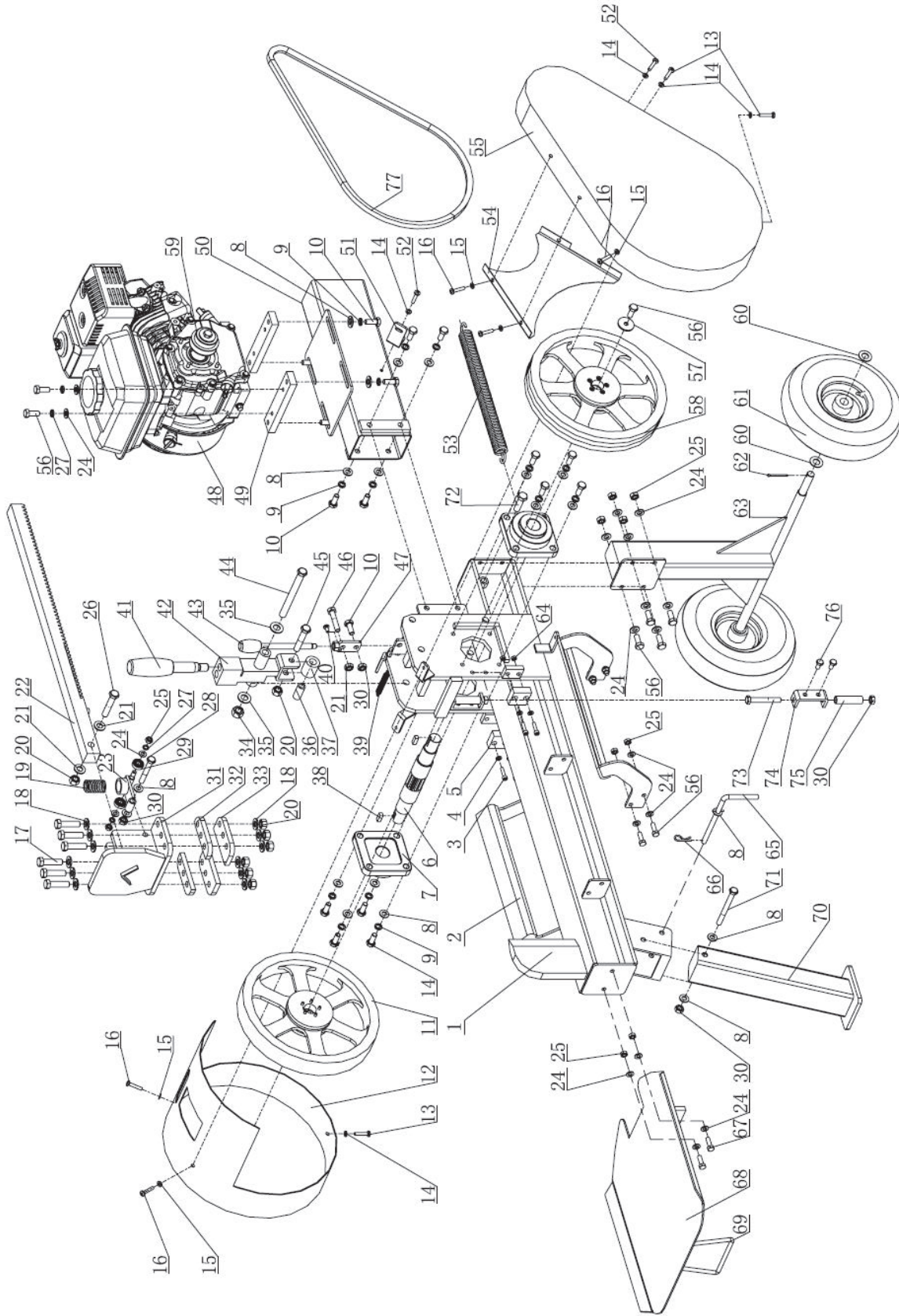


PARTS DIAGRAM



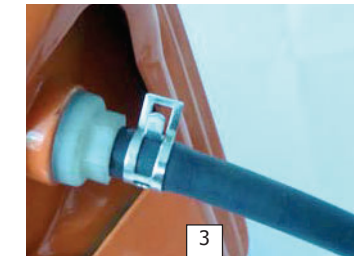
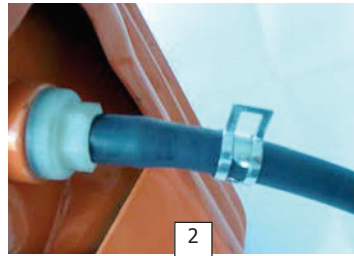
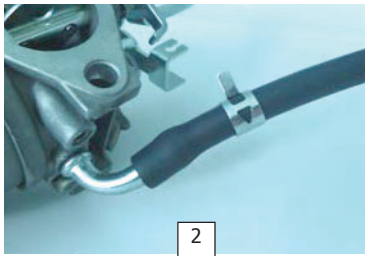
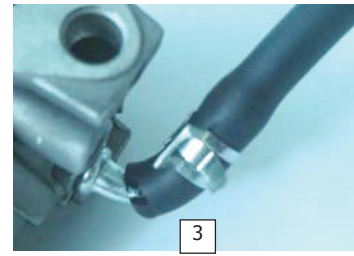
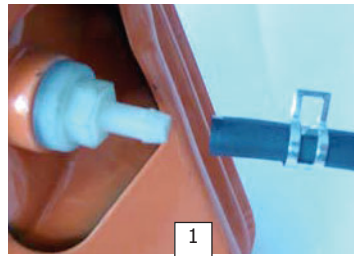
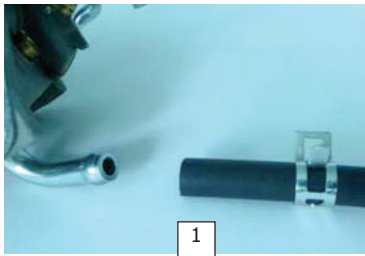
PARTS LIST

No	Description	Qty	No.	Description	Qty
1	Body	1	40	Cross recessed bolt M6x10	1
2	Wood Cradle	2	41	Operate handle	1
3	Hex Bolt M6x30	4	42	Operate handle press block	1
4	Flat Washer ϕ 6	9	43	Lock-unlock handle	1
5	Damping rubber block	2	44	Hex Bolt M14x140	1
6	Spline	1	45	Hex Bolt M12X60	1
7	Bearing housing	2	46	Hex Bolt M10x75 -full	1
8	Flat washer ϕ 10	21	47	Safe Block	1
9	Spring washer M10	16	48	Engine	1
10	Hex Bolt M10x25	9	49	Engine sitting block	2
11	Flywheel	1	50	Engine support	1
12	Flywheel Guard	1	51	Pulley Guard setting block	1
13	Hex Bolt M6x12	3	52	Hex bolt M6x16	2
14	Hex Bolt M10x30	8	53	Tension Spring	2
15	Wide flat washer ϕ 6	5	54	Safe cover plate	1
16	Flat Head Hex bolt M6x12	5	55	V belt flywheel guard	1
17	Hex Bolt M12x45	6	56	Hex Bolt M8x25	19
18	Flat washer ϕ 12	14	57	Wide flat washer ϕ 8x30x3	3
19	Rack reset spring	1	58	V belt -flywheel	1
20	Lock nut M12	8	59	V belt- flywheel to engine	1
21	Hex nut M10	1	60	Wide flat washer ϕ 16	4
22	Rack	1	61	Wheel	2
23	Restoration Device	1	62	Cotter pin	2
24	Flat washer ϕ 8	34	63	Wheel bracket	1
25	Lock nut M8	16	64	Lock nut M6	4
26	Hex bolt M12X70	1	65	Pulling pin	1
27	Spring washer M8	6	66	R pin	1
28	Hex Bolt M10X70	1	67	Hex bolt M8x30	2
29	Bearing 609-2Z	2	68	Wood plate	1
30	Lock nut M10	5	69	Carry handle	1
31	Pusher head	1	70	Front foot	1
32	Track slab	2	71	Hex bolt M10x100	1
33	Press block	2	72	Hex bolt M12x16	2
34	Lock Nut M14	1	73	Hex bolt M10x90	2
35	Flat washer ϕ 14	2	74	Rack's Side roller housing	2
36	Bushing	1	75	Rack's side roller	2
37	Roller	1	76	Hex bolt M8x16	4
38	Key 8x7	2	77	V belt	1
39	Lock-Unlock reset spring	1			

Engine type	4-stroke, overhead cam
Displacement (cm ³)	212
Bore × Stroke(mm)	70×55
Maximum Power (kw/r/min)	5.1/3600
Maximum torque (N·m /r/min)	14 /2500
Fuel consumption(g/kW.h)	374
Cooling system	Forced air
Ignition system	TCI
Intake valve clearance (mm)(cold engine)	0.10±0.02 (0.004±0.001 inch)
Exhaust valve clearance (mm)(cold engine)	0.18±0.02 (0.007±0.001 inch)

Fuel line installation instruction (includes the carburetor, the fuel tank, etc.) :

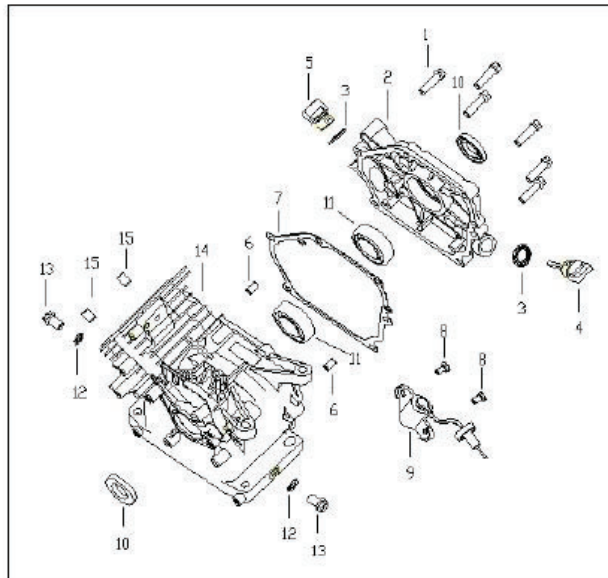
1. Connect clamp to the fuel hose;
2. Slide fuel hose onto connection until it touches the bottom;
3. Secure with clamp.



PARTS LIST

CRANKCASE ASSY

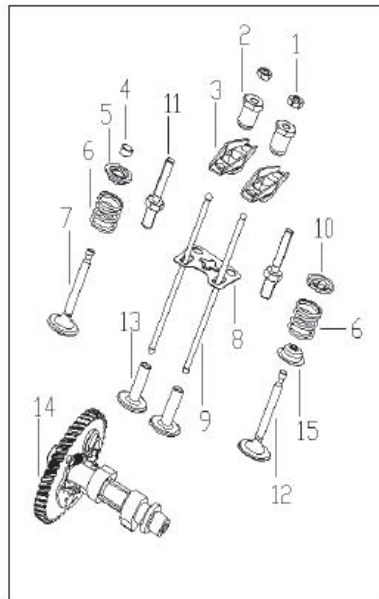
NO	PARTS NO	CODE	DESCRIPTION	QTY
1	GB/T16674.1-04 M8*30	B0133080306B	Bolt	6
2	QJ168QDJ.01-01S	31010121001002	Cover, Crankcase	1
3	JF142F.8-5	31050112001000	Oil Seal, Dipstick	2
4	QJ168QDJ.01-04	31040121001000	Dipstick	1
5	QJ168QDJ.01-03	31030121001000	Oil Plug	1
6	157.3-8	31100121001000	Guide Dowel	2
7	QJ168QDJ.01-02	31020121001001	Gasket, Crankcase	1
8	GB/T16674.1-04 M6*16	B0133060166B	Bolt	2
9	QJ168FJH.3.01.02	21040121001000	Oil Level Sensor	1
10	QJ168QDJ.01.01	21020121001000	Oil Seal	2
11	GB/T276-13 6205/P53,Φ25*Φ52*15	B12016020553	Bearing	2
12	QJ166QDK.01-07B	31070124001001	Washer, Drain Plug	2
13	QJ166QDK.01-06	31060124001000	Drain Plug	2
14	JF170FLH.01.01	21020123001002	Crankcase Assy	1
15	157FM.4-6	32070132001000	Guide Dowel	2



PARTS LIST

VALVE MECHANISM ASSY

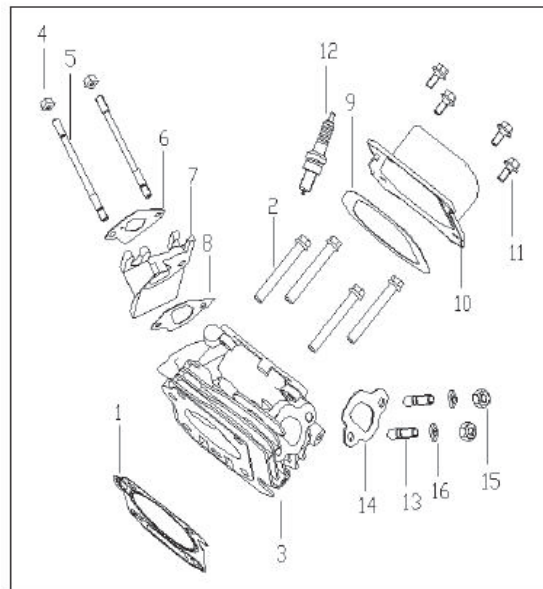
NO	PARTS NO	CODE	DESCRIPTION	QTY
1	QJ166QDK.03-11	33100124001000	Adjusting, Nut, Valve Clearance	2
2	QJ182QDP.03-07	33050127002000	Buttonhead, Arm	2
3	QJ168QDJ.03-09	33080121001000	Arm	2
4	QJ168QDJ.03-02	33020121001000	Cap, Exhaust Rod	1
5	QJ168QDJ.03-10	33090121001000	Upper Retainer, Exhaust Valve Spring	1
6	QJ168QDJ.03-07	33060121001000	Spring, Valve	2
7	QJ168QDJ.03-05C	33040121001002	Valve, Exhaust	1
8	QJ168QDJ.03.04	23060121001000	Guide Plate, Connecting Stud	1
9	QJ168QDJ.03.02	23040121001000	Rod, Connecting	2
10	QJ168QDJ.03-08	33070121001000	Upper Retainer, Intake Valve Spring	1
11	QJ182QDP.03-04	33020127002000	Adjusting Stud, Valve Clearance	2
12	QJ168QDJ.03-06C	33050121001002	Valve, Intake	1
13	QJ168QDL.03-01	33010122001000	Stud, Connecting	2
14	QJ168QDL.03.01B	23020122001001	Camshaft	1
15	QJ1P64.02.01	23020132001000	Oilseal, Valve	1



PARTS LIST

CYLINDER HEAD ASSY

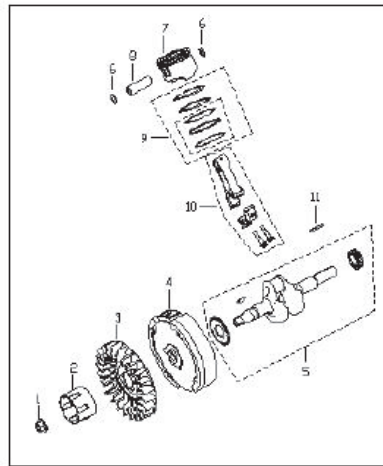
NO	PARTS NO	CODE	DESCRIPTION	QTY
1	JF170FLH.02.02	32011123001000	Gasket, Cylinder Head	1
2	GB/T16674.1-04 M8*60	B0133080606B	Bolt, Cylinder Head	4
3	QJ168QDL.02.01C	22020122001002	Cylinder Head Assembly	1
4	GB6177.1-2000 M6	B04280600026	Nut	2
5	QJ168QDJ.02-03	32030121001000	Double End Stud	2
6	QJ168QDJ.02-05	32050121001001	Gasket, Intake 2	1
7	QJ168QDJ.02-02	32020121001000	Spacer, Heat Insulating	1
8	QJ168QDJ.02-04	32040121001001	Gasket, Intake 1	1
9	QJ168QDJ.02-06	32060121001000	Gasket, Cylinder Head Cover	1
10	QJ168QDJ.02.03B	22040121001003	Cylinder Head Cover	1
11	GB5789-86 M6*14	B01310601466	Bolt	4
12	QJ1E50FMG.1.2	22070121001000	Spark Plug	1
13	QJ168QDJ.02-07	32070121001000	Double End Stud	2
14	QJ168QDJ.02-01	32010121001000	Vent-pipe Washer	1
15	GB/T6170-2015 M8	B0420080002B	Nut	2
16	GB93-87 Φ8	B0700000804B	Spring Washer	2



PARTS LIST

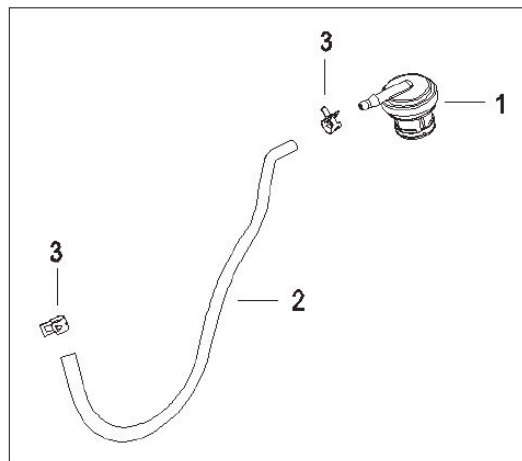
CRANKSHAFT&PISTON&CONNECTIING ROD ASSY

NO	PARTS NO	CODE	DESCRIPTION	QTY
1	GB6177.2-2000 M14*1.5	B04291415056	Nut, Clamp	1
2	QJ168QDJ.04-10B	34120121001000	Start-Up Ratchet Gear	1
3	QJ168QDJ.04-11	34130121001000	Fan Wheel	1
4	QJ168QDJ.04.03	24050121001000	Fly Wheel	1
5	JF170FLH.04.02S	24040123001001	Crankshaft	1
6	QJ168QDJ.04-05	34070121001000	Circlip, Piston Pin	2
7	JF170FLH.04-01B	34010123001001	Piston	1
8	QJ168QDJ.04-04	34060121001000	Pin, Piston	1
9	JF170FLH.04.01B	24020123001001	Piston Ring Assembly	1
10	QJ168QDJ.04.02	24040121001000	Connecting Rod Assembly	1
11	JF168FJH-MJ.04-01	34011121010000	Key	1



VAPOUR SYSTEM

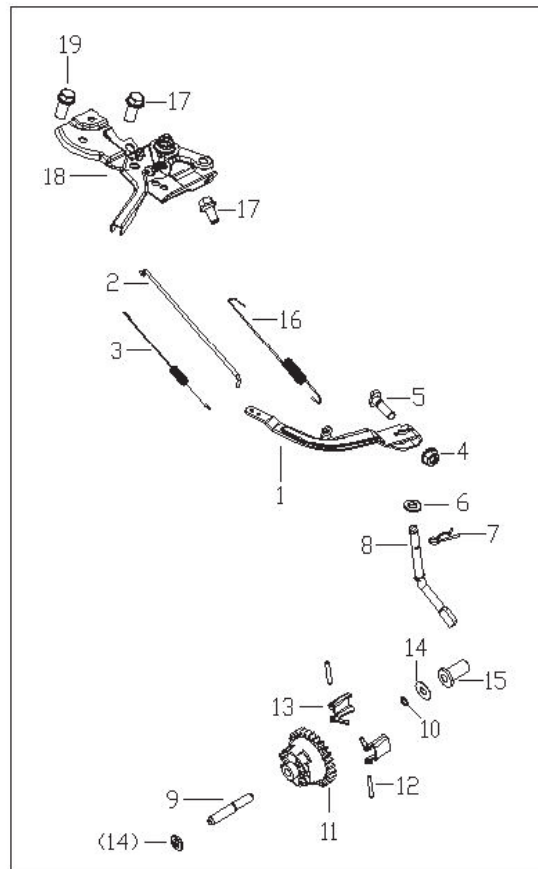
NO	PARTS NO	CODE	DESCRIPTION	QTY
1	JF168FJH-16.13.02	27280121001000	Dump Valve Assy	1
2	JF170FLH.12-01	37010123046000	Hose	1
3	JF168FJH-15.05-08	37200121001000	Clamp, Fuel Line,	2



PARTS LIST

CENTRIFUGAL ADJUSTMENT(GOVERNOR)

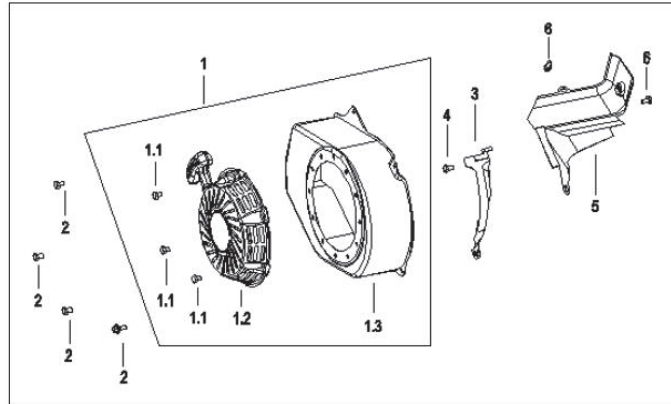
NO	PARTS NO	CODE	DESCRIPTION	QTY
1	QJ168QDJ.05-01	35010121001000	Arm	1
2	QJ168QDJ.05-07	35070121001000	Rod, Tension	1
3	QJ168QDJ.05-06	35060121001000	Spring 2, Tension	1
4	GB6177.1-2000 M6	B04280600026	Nut	1
5	QJ182QDP.06-03	35030127002000	Bolt, Square	1
6	QJ168QDJ.05-09	35090121001000	Spacer 2	1
7	QJ182QDP.06-02	35020127002000	Hair Pin	1
8	QJ168QDJ.05-03	35030121001000	Governor Crank	1
9	QJ168QDJ.05-04	35040121001000	Pin	1
10	QJ166QDK.01-02	31020124001000	Circlip	1
11	QJ168QDJ.05.02-01	35190121001000	Body, Centrifugal Governer	1
12	QJ168QDJ.05.02-02	35210121001000	Pin	2
13	QJ168QDJ.05.02-03	35200121001000	Pawl	2
14	QJ168QDJ.05-08	35080121001000	Spacer 3	2
15	QJ168QDJ.05-02	35020121001000	Cover, Push Rod	1
16	QJ168QDJ.05-05	35050121001000	Spring 1, Tension	1
17	GB5789-86 M6*10	B0131060106B	Bolt	2
18	QJ168QDJ.05.01	25020121001000	RPM Adj Mechanism	1
19	GB5789-86 M6*20	B01310602066	Bolt	1



PARTS LIST

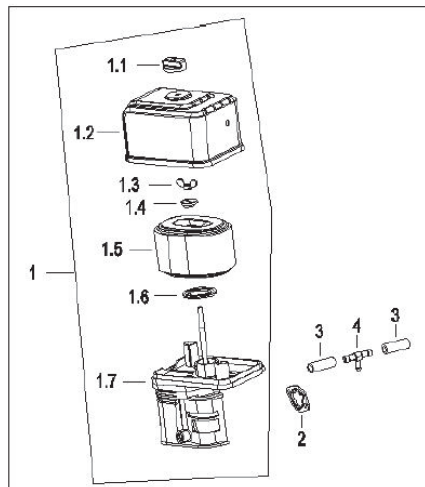
RECOIL STARTING ASSY

NO	PARTS NO	CODE	DESCRIPTION	QTY
1	JF168FLH	26080121001121	Starter Assy	1
1.1	GB5789-86 M6*8	B0131060086B	Bolt	3
1.2	JF168FLH-M.06.01D	26020121001121	Recoil Starter Assembly	1
1.3	QJ168QDJ.06.02.02	26050121001120	Engine Side Cover Assembly	1
2	GB5789-86 M6*12	B01310601266	Bolt	4
3	QJ168QDJ.06.02.01	26060121001000	Shield 1	1
4	GB5789-86 M6*20	B01310602066	Bolt	1
5	QJ168QDJ.06.02-01	36180121001000	Shield 2	1
6	GB5789-86 M6*10	B0131060106B	Bolt	2



AIR FILTER ASSY

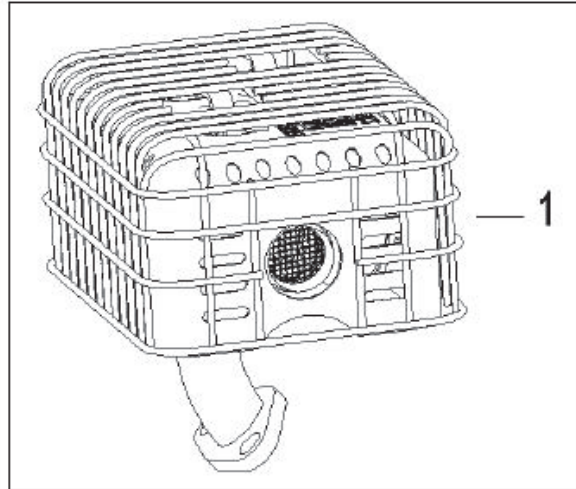
NO	PARTS NO	CODE	DESCRIPTION	QTY
1	QJ168QDJ.07H.00	27350121001000	Air Filter Assembly	1
1.1	QJ168QDJ.07H.00-01	37560121001000	Fastening Knob	1
1.2	QJ168QDJ.07H.00-02	37570121001000	Air Filter Cover	1
1.3	QJ168QDJ.07H.00-03	37580121001000	Butterfly Nut	1
1.4	QJ168QDJ.07H.00.01	27360121001000	Seal Assy, Filter Element	1
1.5	QJ168QDJ.07H.00.02	27370121001000	Filter Element	1
1.6	QJ168QDJ.07H.00-04	37590121001000	Spacer	1
1.7	QJ168QDJ.07H.00.03	27380121001000	Lower Cover, Air Filter	1
2	QJ168QDJ.07.03	27080121001000	Spacer	1
3	QJ168QDJ.07-01D	37100121001003	Breather Tube	2
4	JF168FJH.07-05	37550121001000	T Coupling	1



PARTS LIST

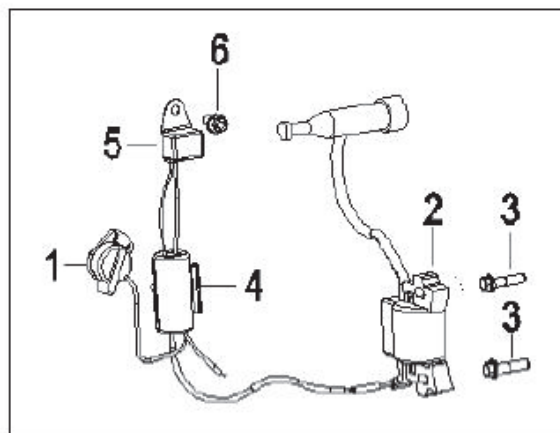
MUFFLER

NO	PARTS NO	CODE	DESCRIPTION	QTY
1	JF168FLH.05G	27010122001004	Muffler Assy	1



IGNITION SYSTEM

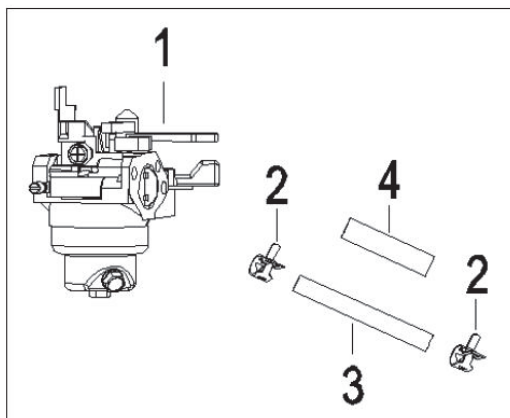
NO	PARTS NO	CODE	DESCRIPTION	QTY
1	QJ168FJH-3.08.01	28020121001001	Switch Assy, Ignition	1
2	QJ168QDJ.11.03C	28040121001001	Ignition Coil	1
3	GB5789-86 M6*25	B01310602566	Bolt M6x25	2
4	JF168FJH-K.11-01	38010121001000	clamp	1
5	QJ182QDP.01.05	21060127002000	Electronic Switch	1
6	GB5789-86 M6*10	B0131060106B	Bolt	1



PARTS LIST

CARBURETOR

NO	PARTS NO	CODE	DESCRIPTION	QTY
1	QJ168QDL.06	27080122001000	Carburator Assembly	1
2	JF168FJH-15.05-08	37200121001000	Clamp, Fuel Line,	2
3	φ4.5×φ8.5 EPA	37520121001001	Hose	0.165m
4	QJ168QDJ.10.03-02B	37220121001001	Jacket	1



FUEL TANK ASSY

NO	PARTS NO	CODE	DESCRIPTION	QTY
1	JF168FJH-16.10.02	27140121001002	Fuel Tank Cap	1
2	QJ2000IE-A.02.02A	20160422001001	Filter Gauze	1
3	JF168FJH.10.04F-01	27370121001121	Fuel Tank	1
4	QJ168QDJ.10.01	27180121001000	Vitta Tie-in Assy	1
5	WJF1E40MB.09-02	37500121001000	Shock Absorption Washer	3
6	GB6177.1-2000 M6	B04280600026	Nut	2
7	GB/T16674.1-04 M6*30	B0133060306B	Bolt	1

