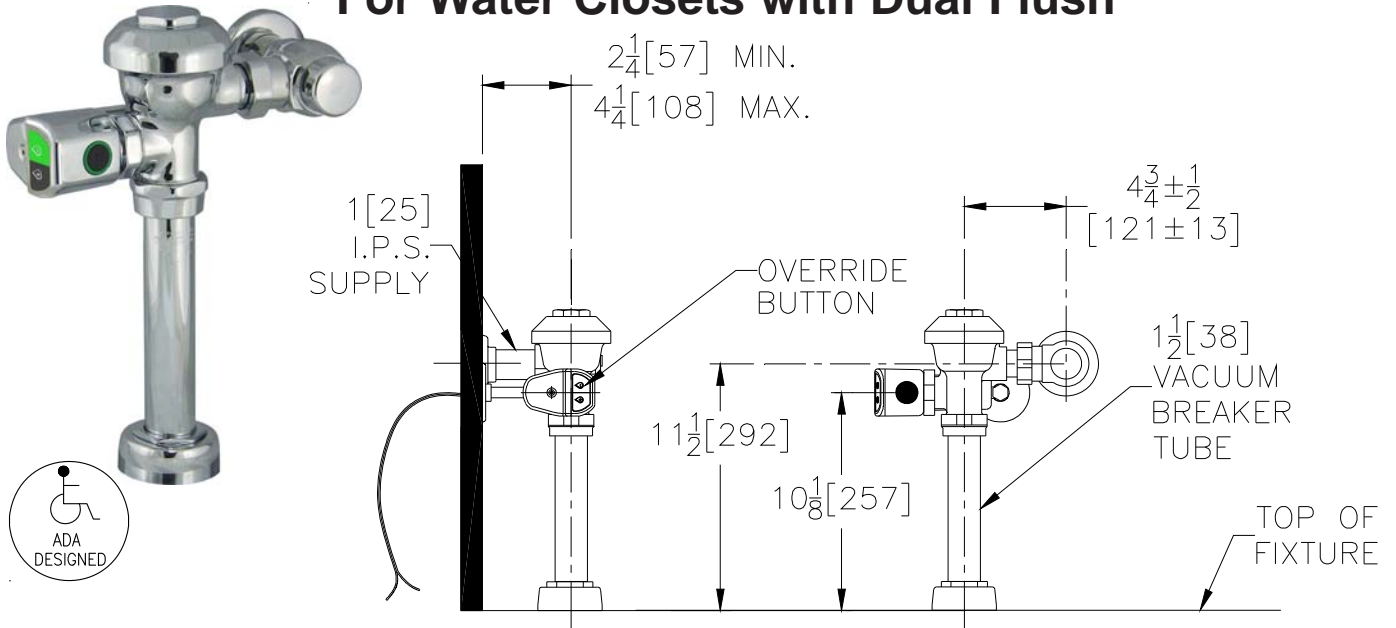




# Exposed ZR6000AV-WS1-DF-HW Model Sensor Operated Hardwired Flush Valves For Water Closets with Dual Flush



**Flow Options**

- WS1** Low Consumption (1.6/1.1)

**Suffix Options (Check/Specify Appropriate Options)**

- \_\_\_\_\_ **-YJ** Split Ring Pipe Support
- \_\_\_\_\_ **-YK** Solid Ring Pipe Support
- \_\_\_\_\_ **-YO** Bumper On Angle Stop
- \_\_\_\_\_ Other

**ENGINEERING SPECIFICATION: ZURN ZR6000AV-WS1-DF-HW Dual Flush AquaSense 'AV' Exposed Closet Flush Valve**

- Exposed, quiet diaphragm-type, chrome plated, flushometer valve with a polished exterior. Complete with Zurn's TPE chloramine resistant diaphragm with a clog resistant by-pass. The valve incorporates a 6VDC solenoid valve, and is powered by a hardwired power converter (P6000-HW6). Complete with an automatic sensor with dual flush technology and dual flush override buttons. Valve incorporates a brass electronics housing with polished chrome plated exterior, high back pressure vacuum breaker, one piece hex coupling nut, adjustable tailpiece, spud coupling and flange for top spud connection. Control stop has internal siphon-guard protection, vandal resistant stop cap, sweat solder kit, and a cast wall flange with set screw. Internal seals are made of chloramine resistant materials.

Dual flush electronics monitor usage and provide a dual flush function.

- ◆ If user is present for 60 seconds or less, or selects the green override button, the valve will deliver a reduced water volume, of approximately 30% of the standard flush.
- ◆ If user is present for greater than 60 seconds, or selects the black override button, the valve will deliver a standard flush.

This space is for Architectural/Engineering Approval

The information contained in this document is subject to change without notice. Please contact Zurn for most up to date information.

ZURN INDUSTRIES, LLC. ♦ COMMERCIAL BRASS OPERATION ♦ 5900 ELWIN BUCHANAN DRIVE ♦ SANFORD NC 27330

Phone: 1-800-997-3876 ♦ Fax: 919-775-3541 ♦ World Wide Web: www.zurn.com

In Canada: ZURN INDUSTRIES LIMITED ♦ 3544 Nashua Drive ♦ Mississauga, Ontario L4V1L2 ♦ Phone: 905-405-8272 Fax: 905-405-1292