

SIMPLY CONSERVE

LED T8 | UL TYPE B | SINGLE-END BYPASS

L14T8PC35BSE - L14T8PC50BSE SERIES

Simply Conserve LED T8 lamps are a perfect solution when upgrading traditional linear T8 or T12 fluorescent fixtures to energy saving, LED technology. These lamps are designed to deliver 1900 lumens using half the power of a traditional 32W Fluorescent. The singled-ended design is ideal for applications using non-shunted tombstones and operates with 100-277v AC power. The durable aluminum and polycarbonate construction makes this an ideal solution for use in most commercial environments.

POTENTIAL LIFETIME SAVINGS: 900 KWH/\$102*

*Compared to a 32 watt fluorescent T8 and based on an average of \$0.11 per kWh.



PRODUCT FEATURES OVERVIEW



BEAM ANGLE



50,000 HOURS



EASY TO INSTALL



FLICKER FREE



TRUE COLOR

★★★★★ 5-YEAR LIMITED WARRANTY*

*AM Conservation Group, Inc. guarantees to the original purchaser or recipient of this lamp that it is free from defects in material and workmanship for five years from the date of purchase. Warranty is limited to repair or replacement of the lamp. Lamps being returned must include proof of purchase.

Rated Power (W):	14W
Color Temp (CCT):	3500K, 4000K, 5000K
Typical Lumens (lm):	1900 lm
Efficacy (lm/w):	135
Voltage (V):	100-277V
Beam Angle:	180°
Operation Temperature:	-4 F - 110 F
Storage Temperature:	30 F to 95 F
Input Voltage (V):	100-277V AC
Power Factor:	> .95
THD:	20%
Line Frequency:	60 Hz
Dimmable:	No

Target Replacement Lamps: F25T8 (4ft), F28T8 (4ft) F30T8 (4ft), F32T8 (4ft)

- UL Type B
- Easy retrofit into most common linear fluorescent fixtures
- Runs cool with minimal heat output
- No UV or IR radiation
- Durable, shatter resistant materials
- End-to-end lighting with no dark spots
- Suitable for used in damp and dry locations
- Suitable for use in enclosed fixtures
- This product is rated for indoor use only.
- Single-end powered. Can work with 100-277V AC power directly

AM CONSERVATION GROUP//COMMERCIAL LIGHTING

LED T8 | UL TYPE B SINGLE END | DIRECT REPLACEMENT L14T8N35A - L14T8N50A SERIES

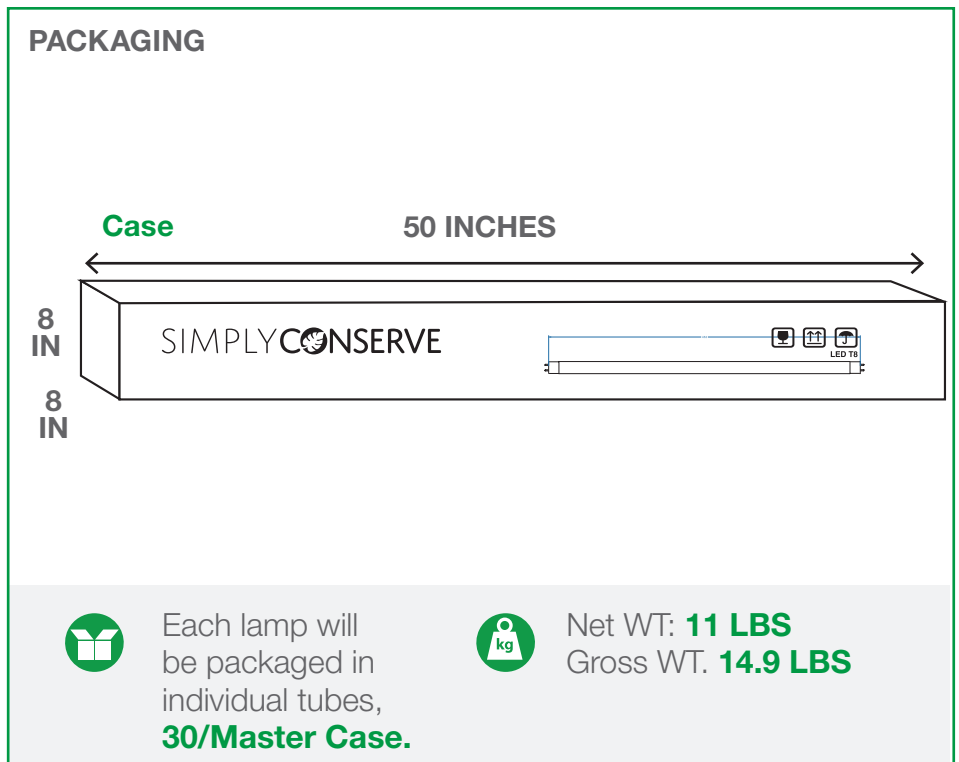
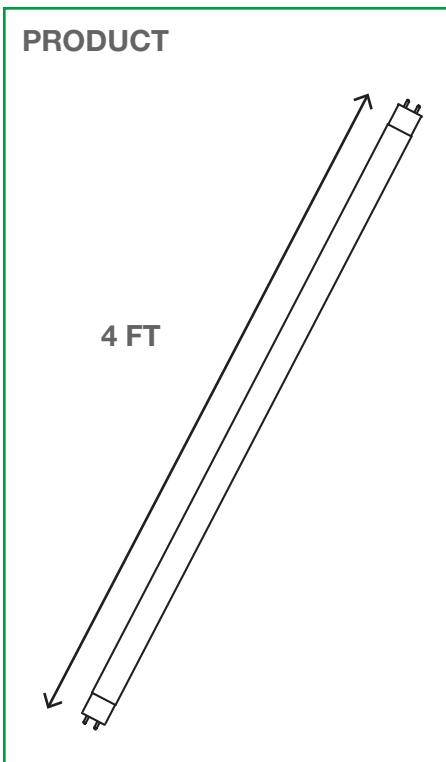
SPECIFICATIONS BY MODEL

ITEM #	WATTS	TYPE	SIZE	CCT	LUMENS	CRI	VOLT	CONSTRUCTION	CERTIFICATION
L14T8PC35BSE	14W	Type B	4ft	3500K	1900	>80	100-277V	PC	UL, DLC
L14T8PC40BSE	14W	Type B	4ft	4000K	1900	>80	100-277V	PC	UL, DLC
L14T8PC50BSE	14W	Type B	4ft	5000K	1900	>80	100-277V	PC	UL, DLC

MODEL SELECTION

FAMILY	WATTAGE	LAMP TYPE	MATERIAL	CCT.	OPERATION
L = LED Linear	12 = 12W 14 = 14W 15 = 15W	T8 = T8 Tube	G = Glass PC = Aluminum & Polycarbonate N = Nano Plastic	35 = 3500K 40 = 4000K 50 = 5000K	A = UL Type A BDE = UL Type B, Double End BSE = UL Type B, Single End AB = UL Type A/B, Dual Mode

DIMENSIONS



INSTALLATION INSTRUCTIONS

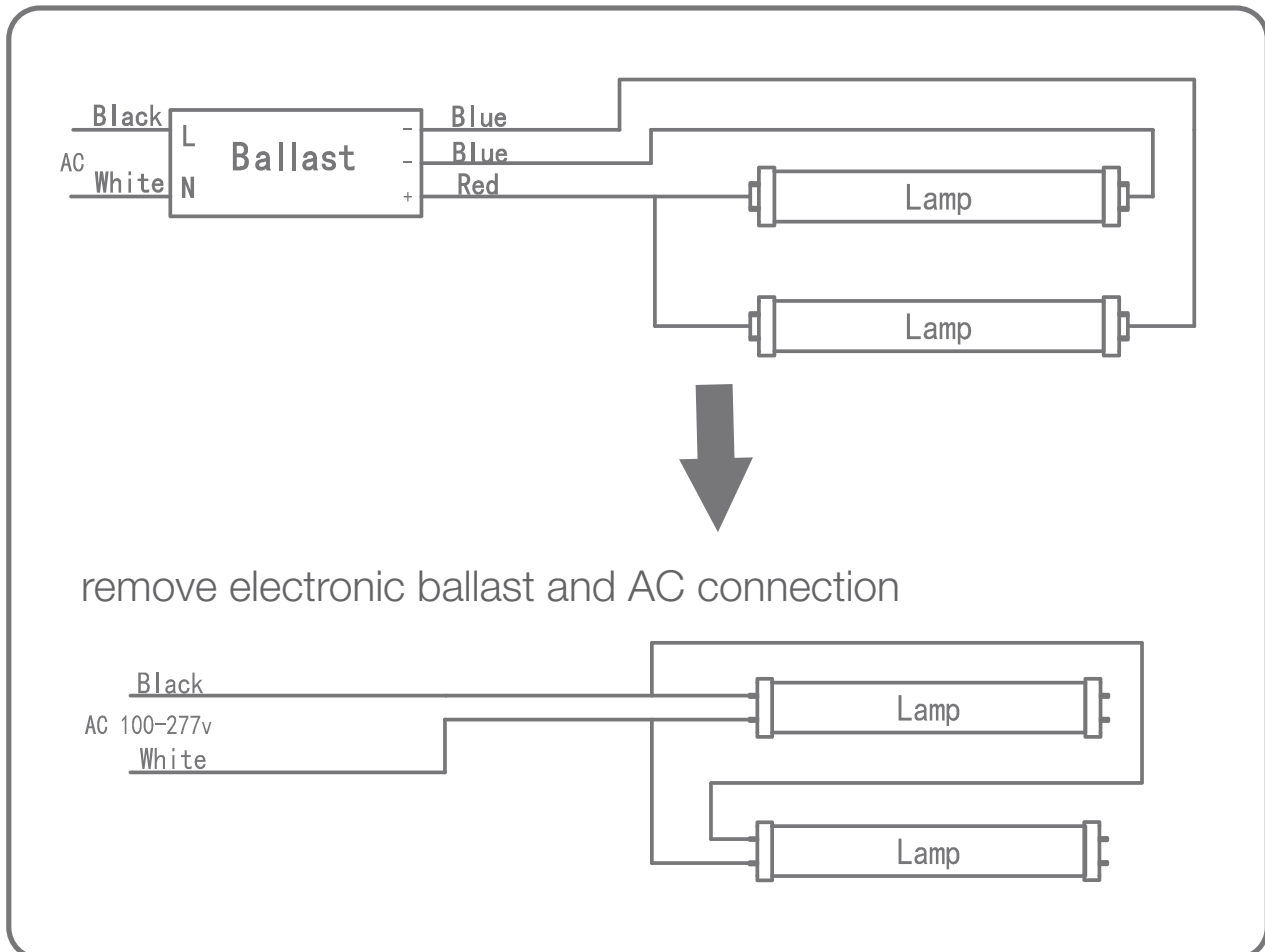
1. Bypass ballast by cutting all wires as in Fig. 1
2. Replace shunted lamp holder with non-shunted one if applicable (Instant Start)
3. Directly wire Live + Neutral on a single end as in Fig. B for single tube or as in Fig. 3 for multiple tubes

Cautions:

1. This product is rated for indoor use only. Suitable for used in damp, dry, and enclosed fixture applications.
2. Ballast bypass required. Use non-shunted LED tombstones on one end to direct-wire the tube.
3. This LED T8 is single-end powered. Can work with 100-277V AC power directly.
4. Non-Dimmable. Do not use with dimmer switches.
5. Make sure power supply is shut off when the product is installed.
6. This device should be installed by a qualified electrician or technician in accordance with relevant local codes.

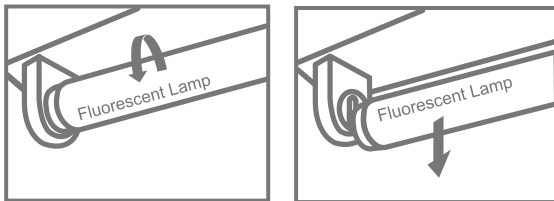
Directly links to AC power (no ballast needed)

Wiring diagram for removing electronic ballast and AC

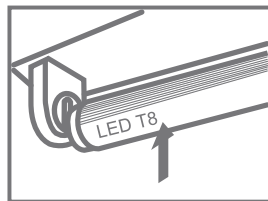


INSTRUCTIONS

- 1) Make Sure Power is OFF.
- 2) Remove lens or diffuser (if applicable).
- 3) Remove existing fluorescent lamps from the luminaire.

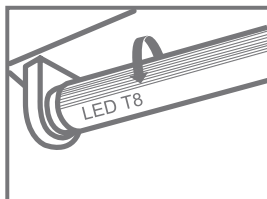


- 4) Bring LED lamp to luminaire and insert lamp pins into luminaire lamp holder.



- 5) Rotate LED lamp until lamp locks in place. Ensure that the LED lamp front points away from the back of the luminaire.

Note: Install one LED T8 replacement lamp one for each fluorescent lamp removed.



- 6) Place lens or diffuser back in place (if applicable).
- 7) Power ON.
- 8) Check lamp installation after turning power on. If flickering or buzzing is heard, turn off power and check that bulb is correctly installed in lamp holder.