

SHUTTER HARDWARE

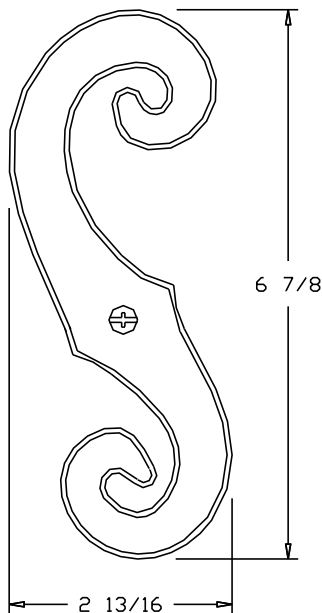
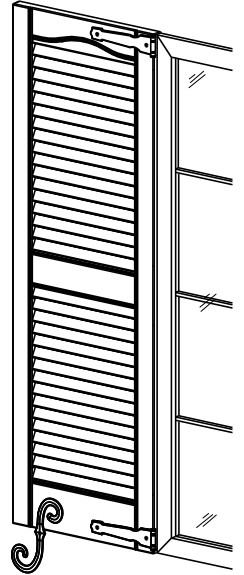
The Shutter Hardware adds a distinctive look to new or existing shutters. The "S" Hook and Hinge have a ball pein hammered finish to create the look of wrought iron. Once installed, the Shutter Hardware will simulate the look of functional shutters.

FEATURES:

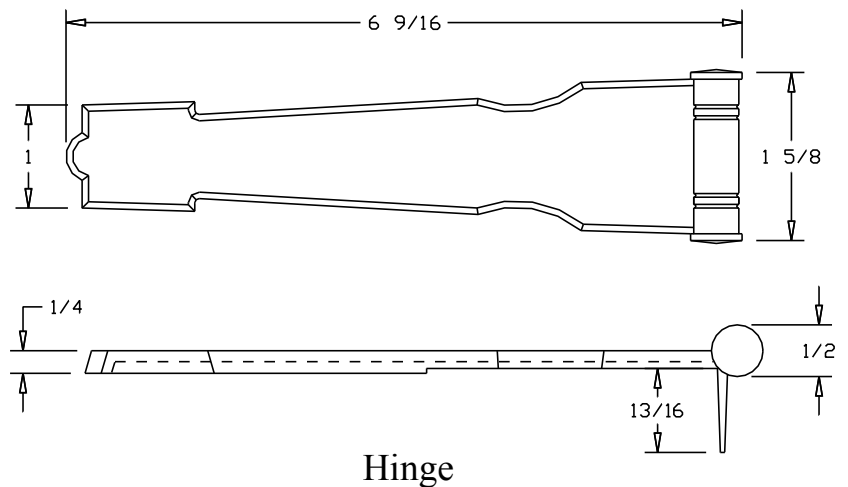
- Maintenance Free
- Easy to install on new or existing shutters
- Texture simulates wrought iron ball pein hammered finish
- Can be installed on any size louver or panel shutter
- Black Matte finish

SPECIFICATIONS:

Material:	UV stabilized copolymer Color molded in
Fabrication:	Single piece molded construction
Attachment:	Fasten directly to shutter using screws
Dimensions:	See drawing below (all dimensions in inches)
Packaging:	1 kit per bag; (4) Hinges, (2) "S" Hooks, (10) Screws



"S" Hook



Hinge