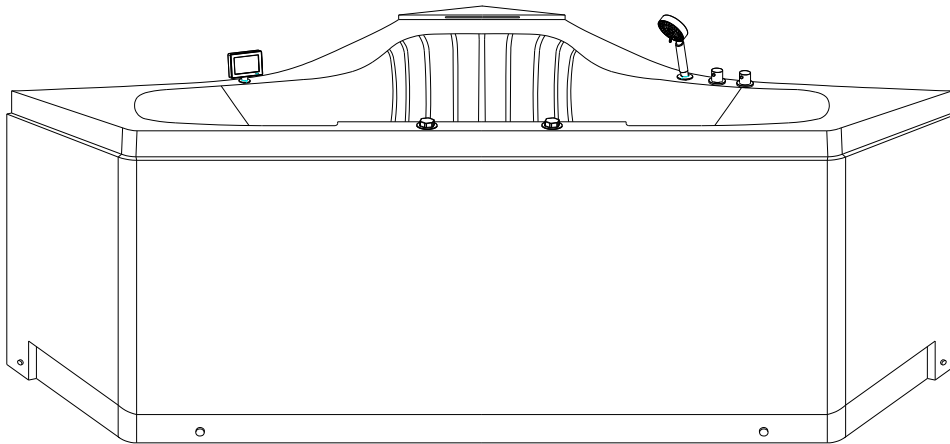


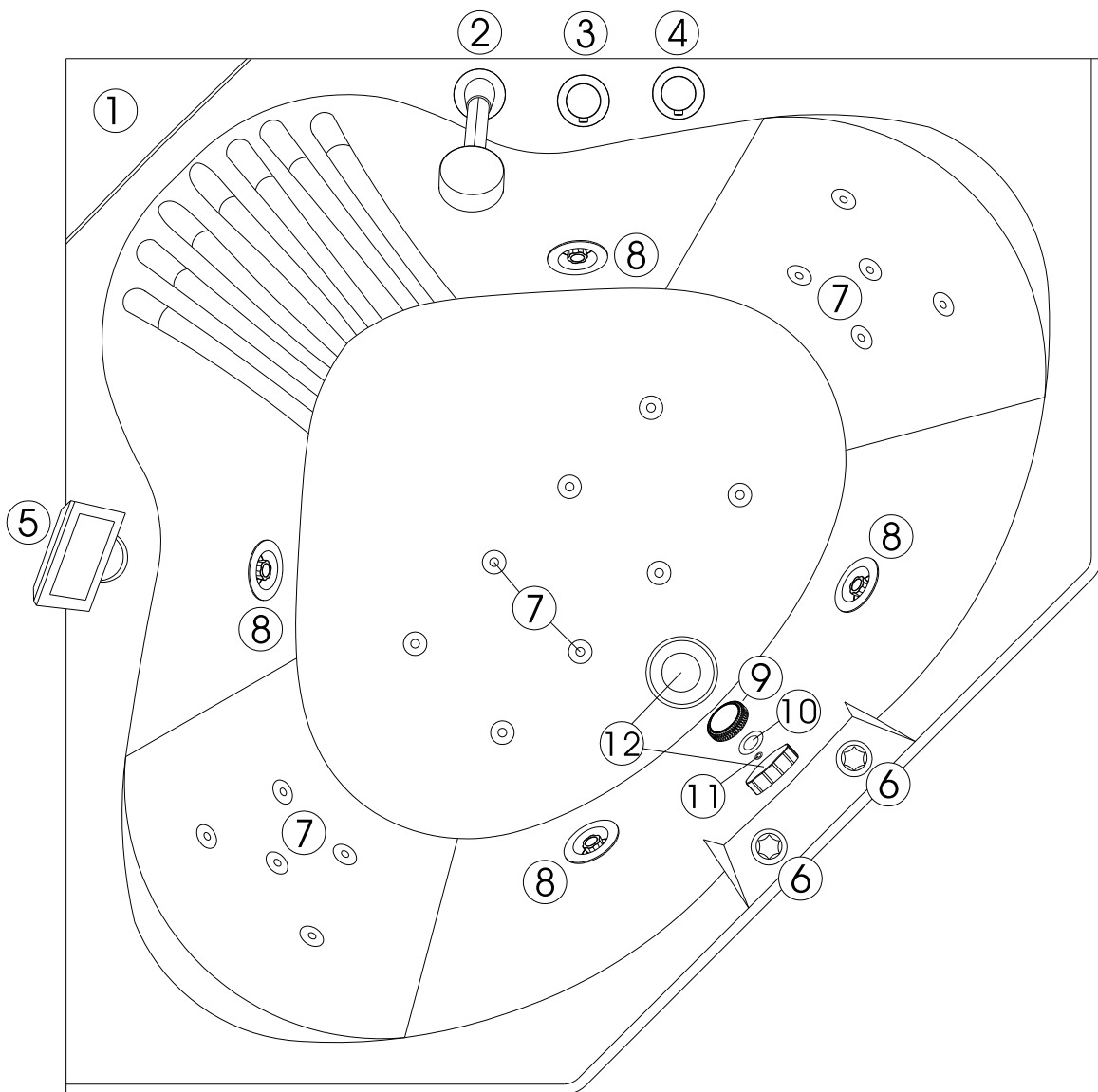
ARIEL

Whirlpool Installation Manual

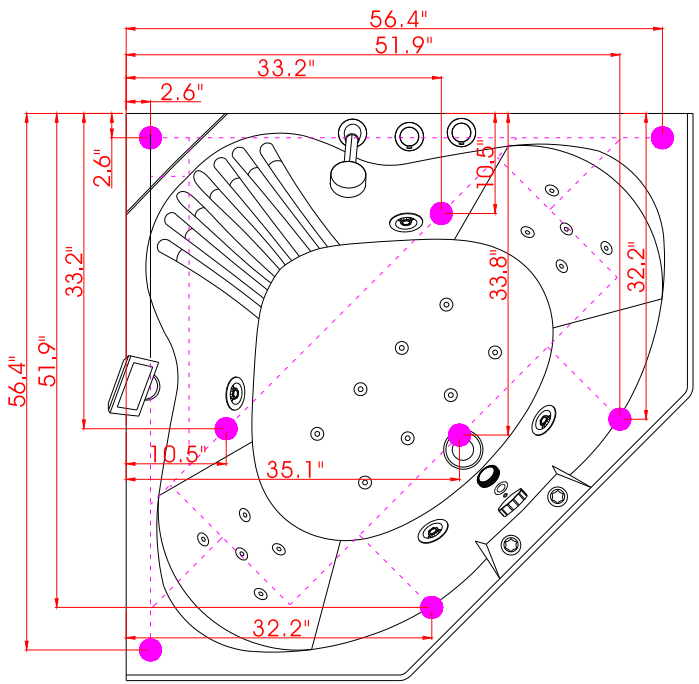
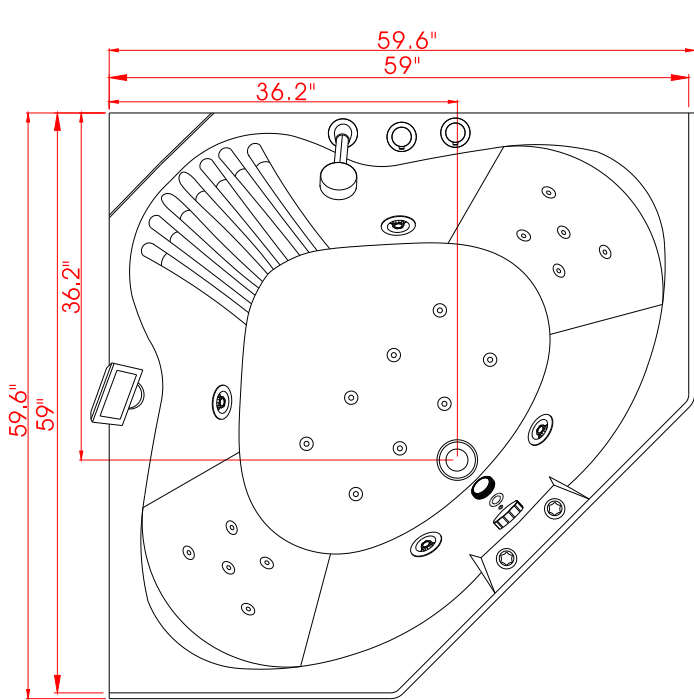
ARIEL
PW1685959CW1



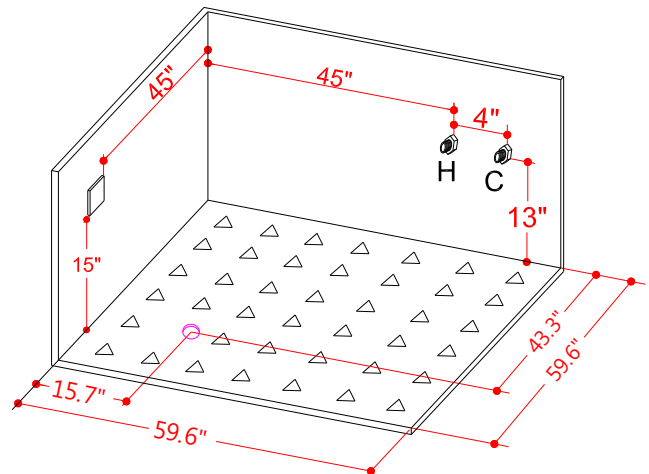
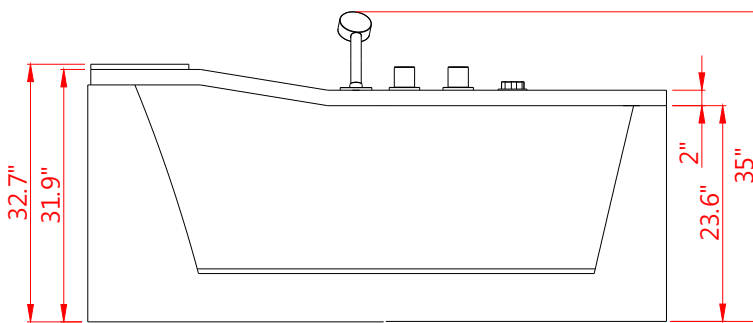
Serial Number:



Nr.	English	Nr.	English
1	Waterfall	7	Small Jet
2	Hand Shower	8	Large Jet
3	Function Switch	9	Suction
4	Thermostatic Switch	10	LED Underwater Light
5	Control Panel	11	Sensor
6	Air Regulator	12	Drainer



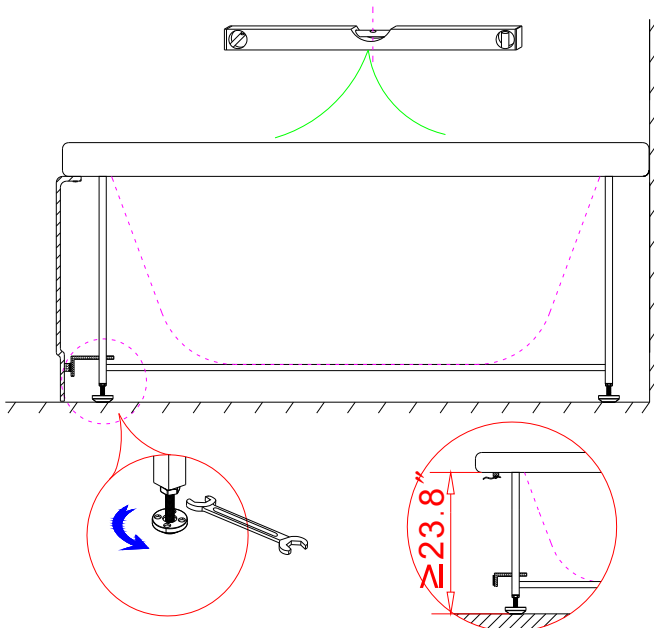
*Actual Drain-Cutout Location



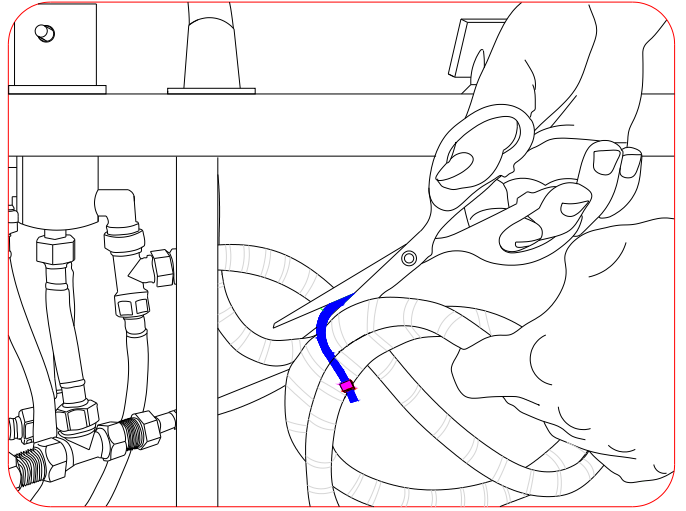
*Optional: Flex-Drain Drain Location

All measurements are given in Inches
 Designs and sizes can vary. We accept no liability for errors,
 manufacturing tolerance and product changes.

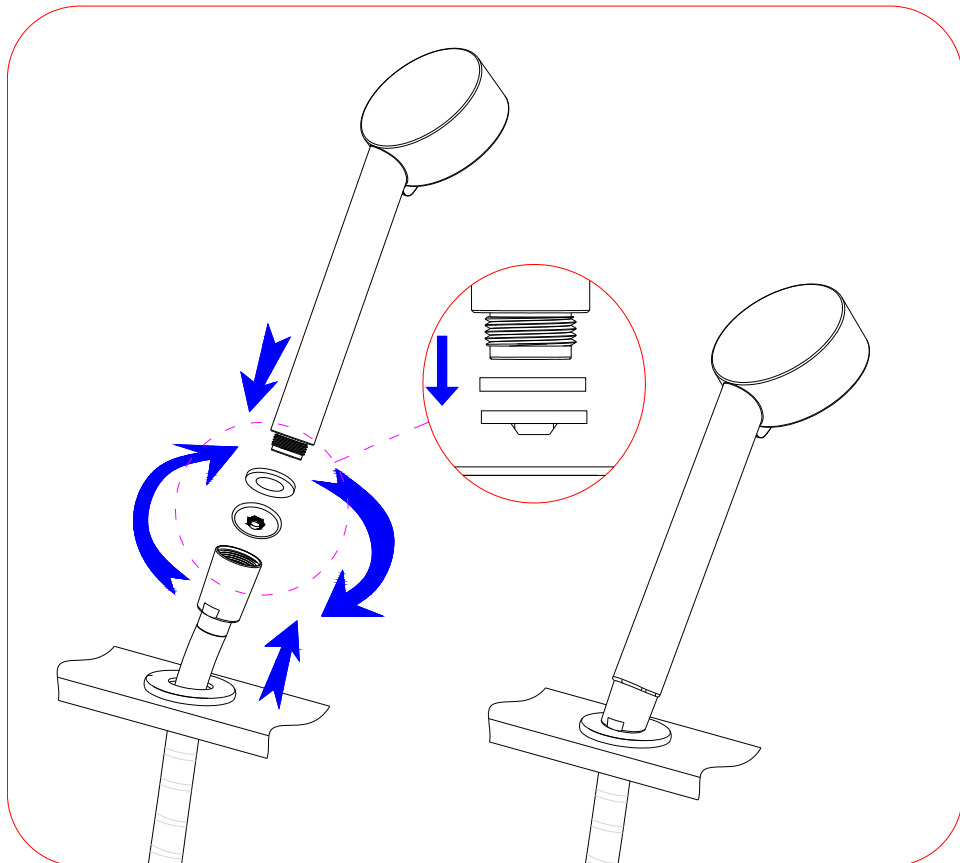
1



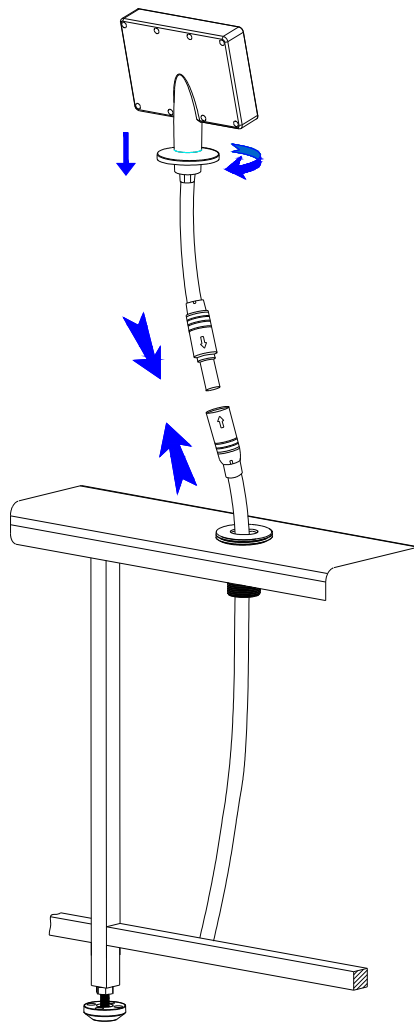
2



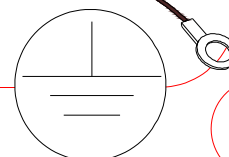
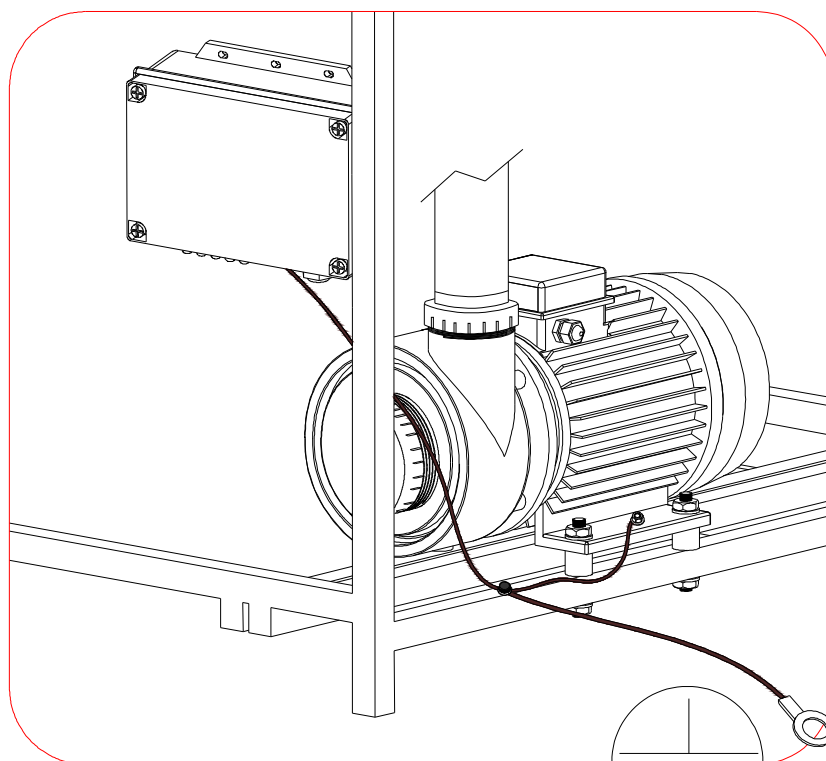
3



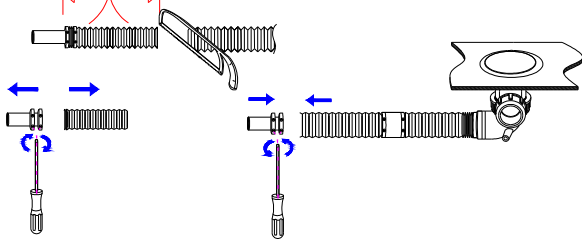
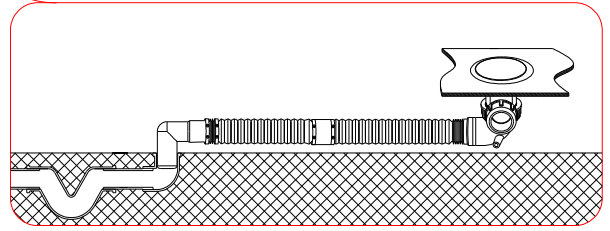
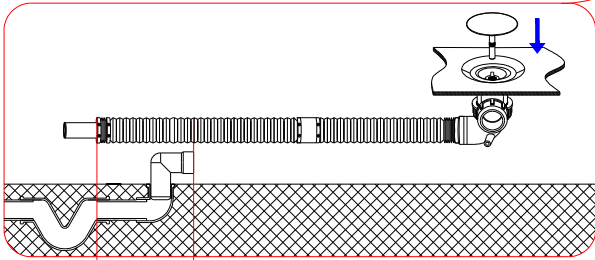
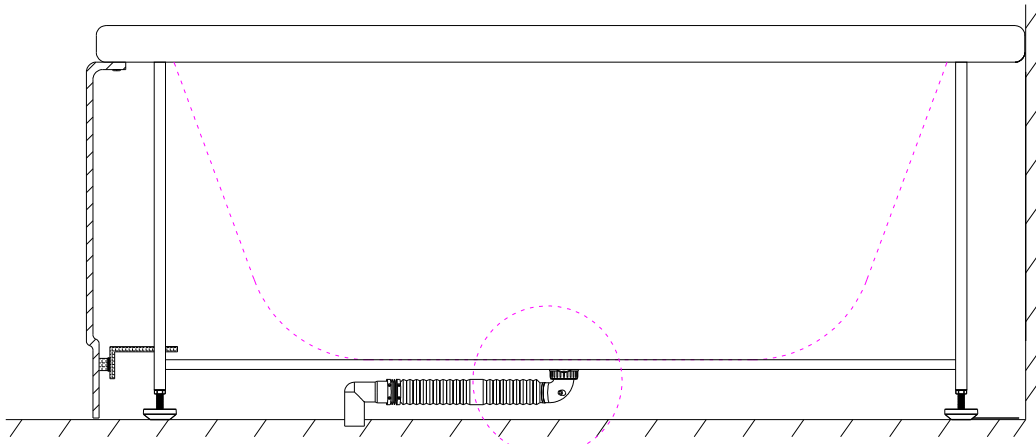
4



5

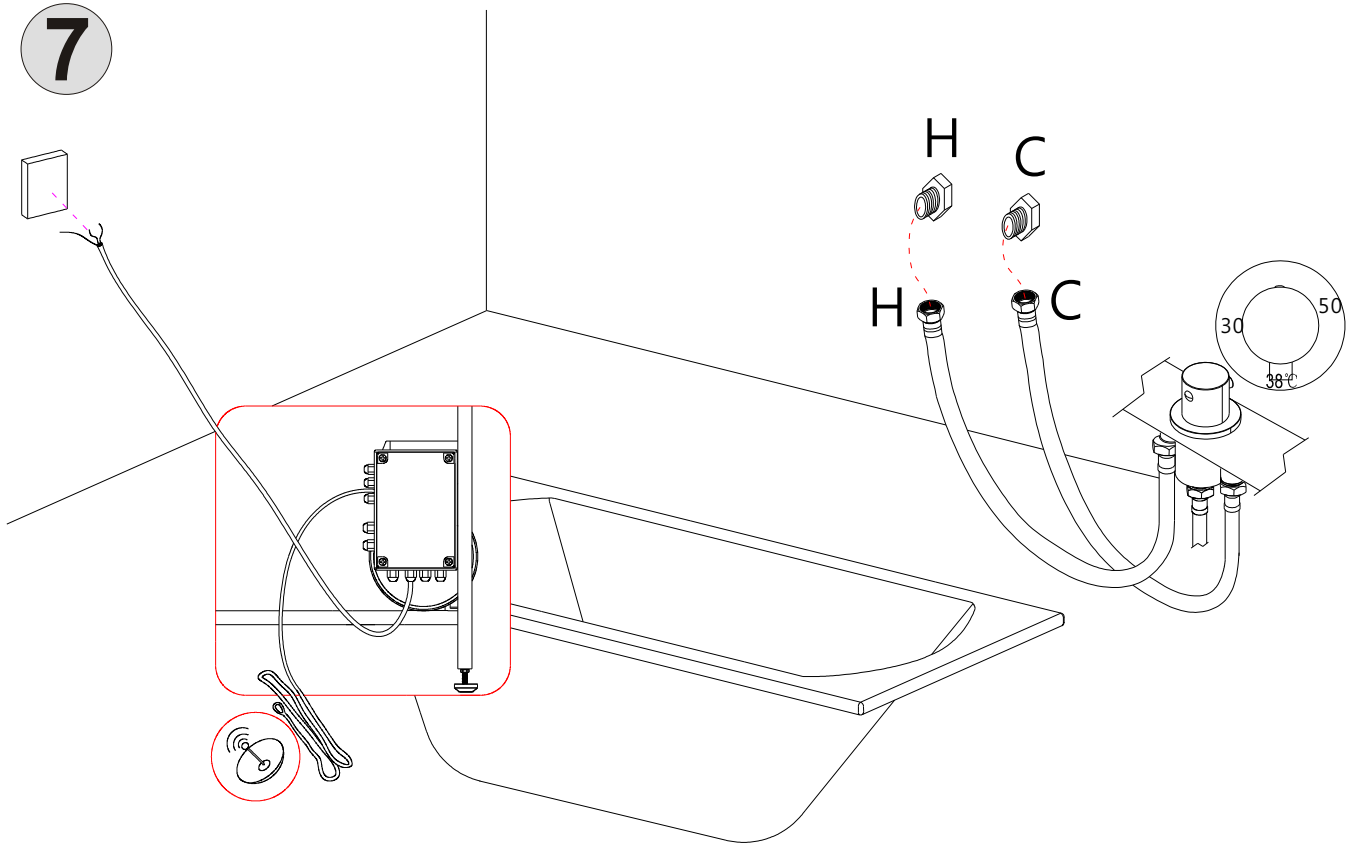


6

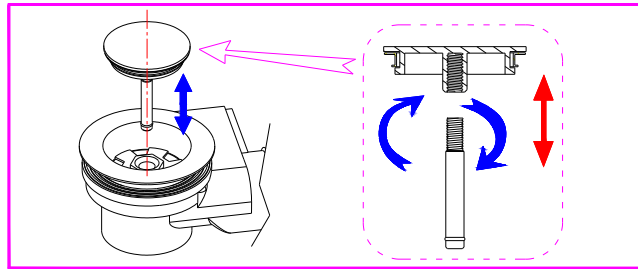
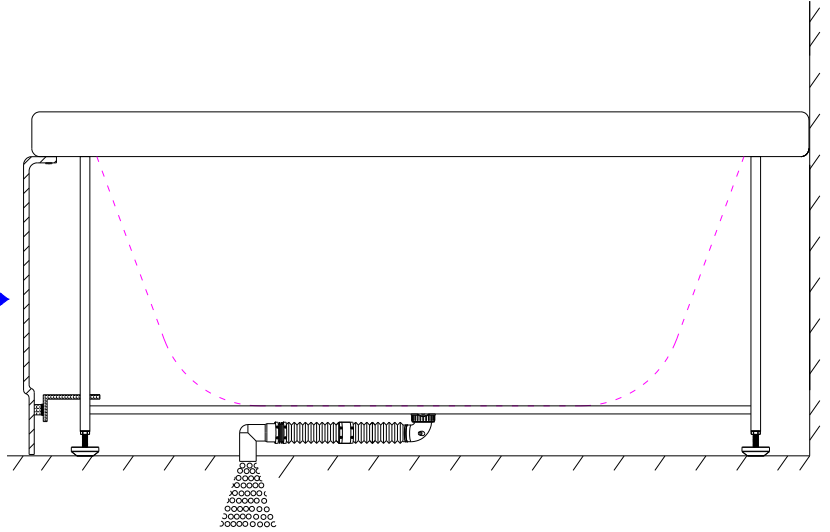
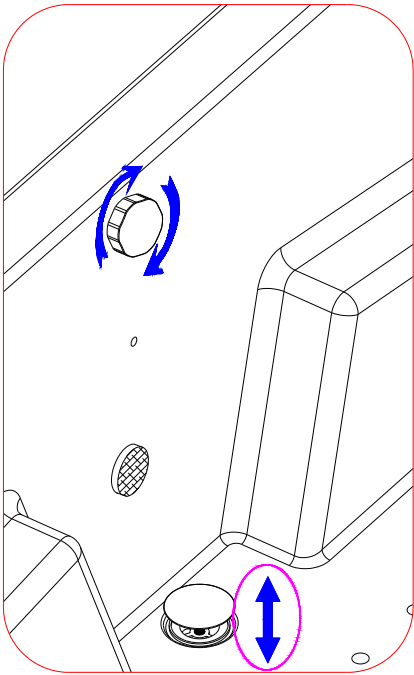


*Some optional features maybe shown: Flex-Drain Hose

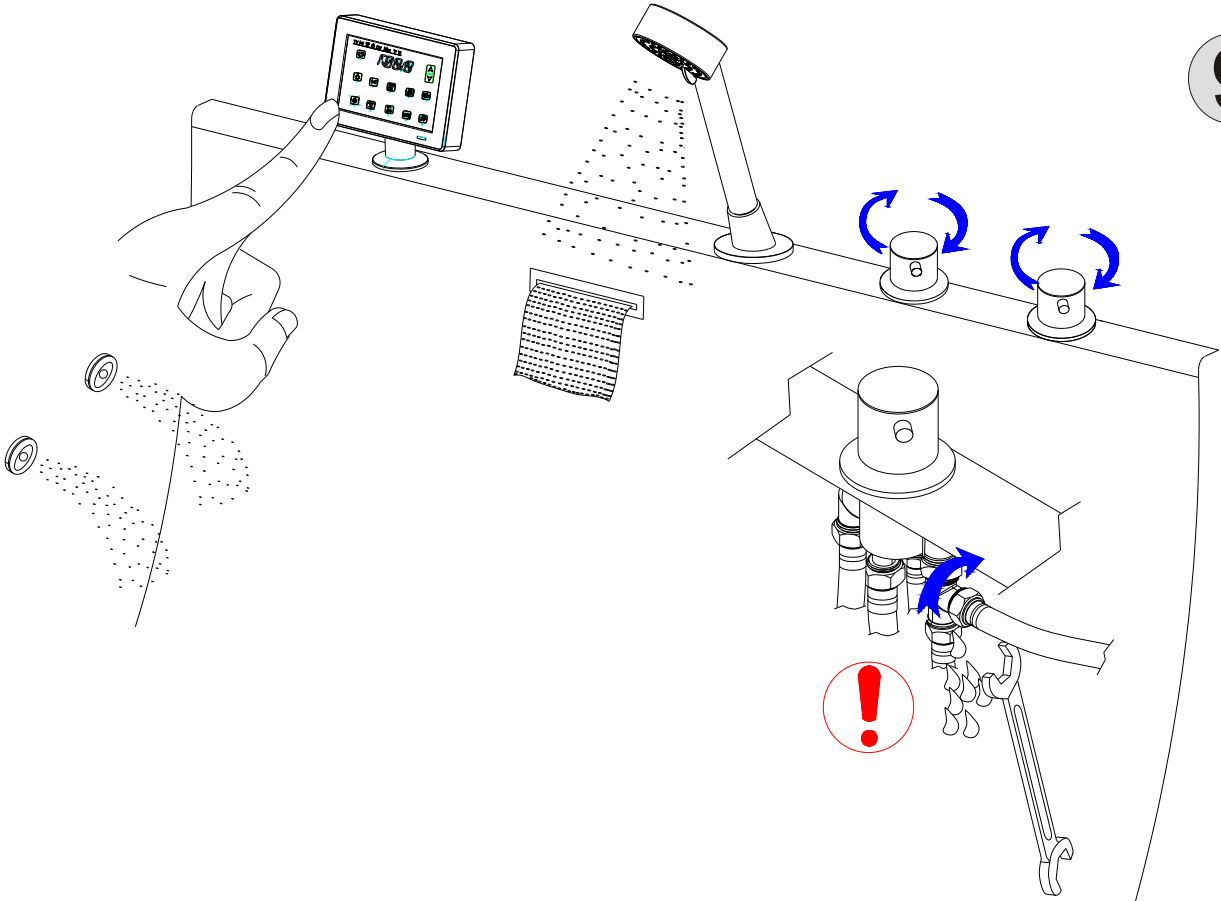
7



8



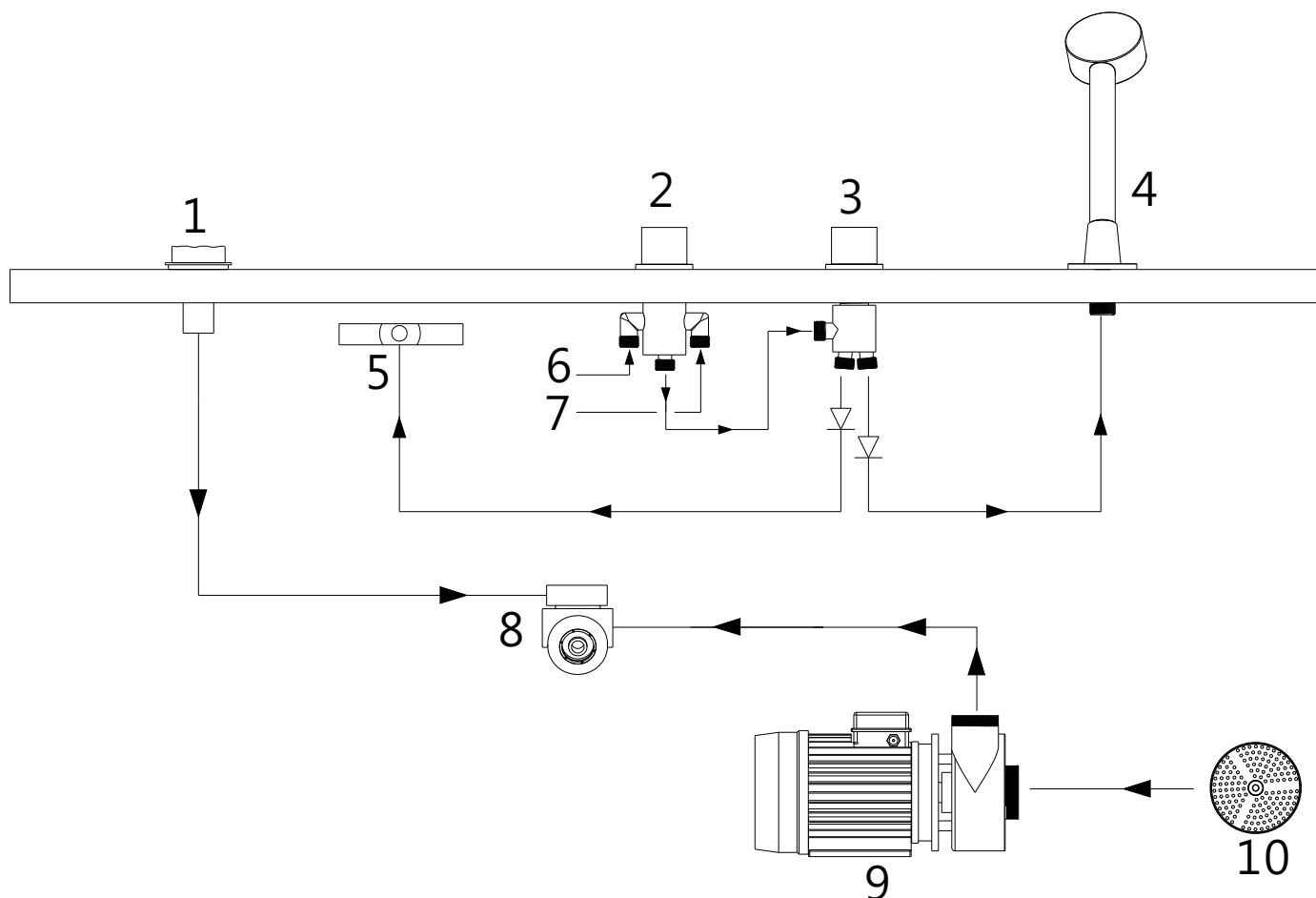
9



Technical Parameters

Rated Voltage	AC110-120V 60Hz
Rated Current	23.6A
Normal Rated Power	2600W
Recommended Power Service	GFCI-Protected 30A
Water Pipe Dimension	1/2"
Drainage Pipe Dimension	40mm
Max. Hot Water Temperature	176°F
Recommended Hot Water	149°F
Operating pressure	Max 0.8mPa(8 bar/116 PSI)
Recommended Operating Pressure	0.1-0.5mPa(1-5 bar/14.5-72.5 PSI)

Flowchart



1	Air Bubble Regulator Valve	6	Cold Water Supply Inlet
2	Thermostatic Switch	7	Hot Water Supply Inlet
3	Function Switch	8	Jet
4	Hand Shower	9	Water Pump
5	Waterfall	10	Suction

Electrical Wiring Diagram

