

88 5001 004 Buffet

IMPORTANT NOTE

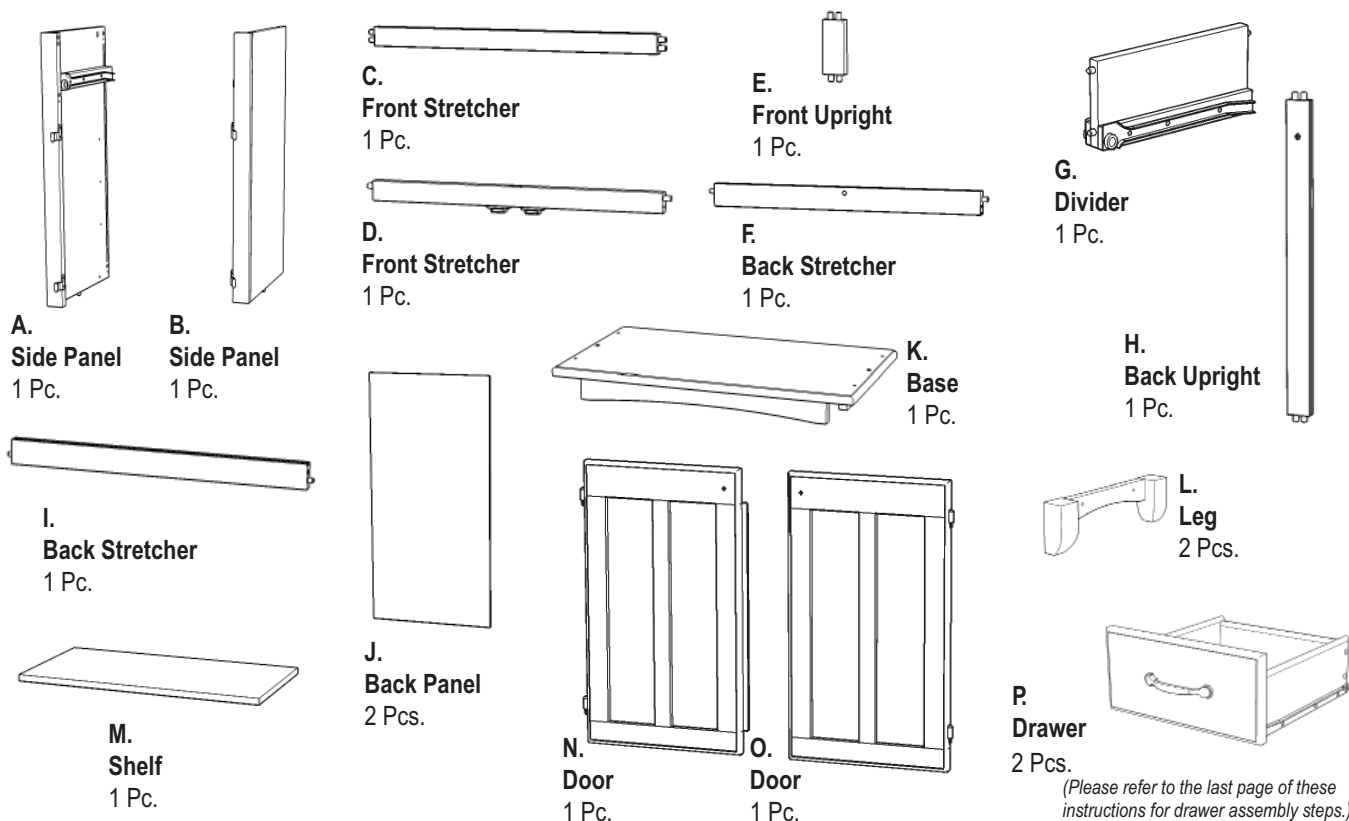
Carefully remove all the parts from the carton and put them individually on a soft cloth to prevent scratches or other damage occurring to the parts.

We have taken great care in the design of this product and request that you carefully and strictly follow our assembly instructions to ensure a completed product as it was designed.

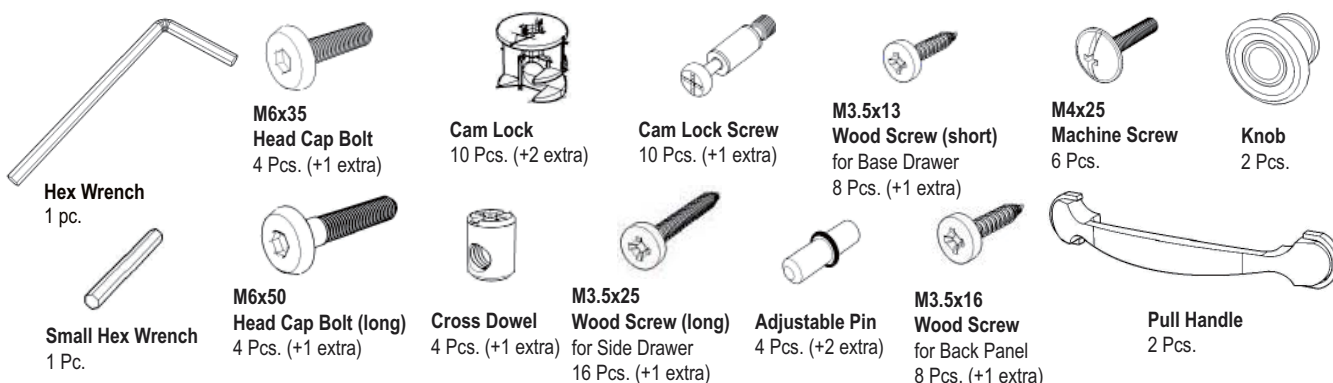
Home
Styles



Part List



Hardware List

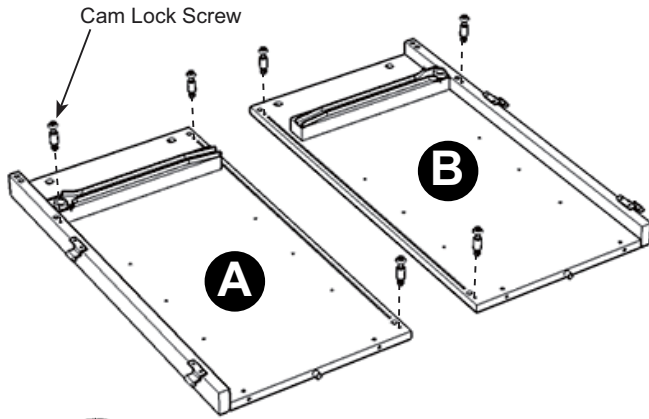


Tools required for assembly : Phillips screwdriver, Drill, 3/8" Drill Bit, Level

Home Styles Consumer Assistance : www.homestyles-furniture.com,
servicedesk@homestyles-furniture.com, 888-680-7460, 877-831-0319

IMPORTANT

- * Please keep Hex Wrench in a safe place as you may need to tighten up the Head Cap Bolts in the future.
- * Do not tighten up all the bolts until each part is properly assembled.
- * Use a soft cloth between these parts and the floor.
- * After assembly, item must be level to work properly. Use the included adjustable levelers to level.



STEP 1

Insert Cam Lock Screws into pre-drilled holes of Side Panels (A) and (B) and then tighten. (See Figure 1)

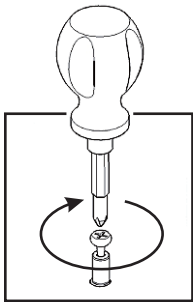


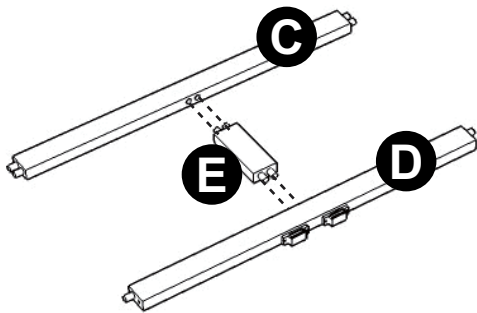
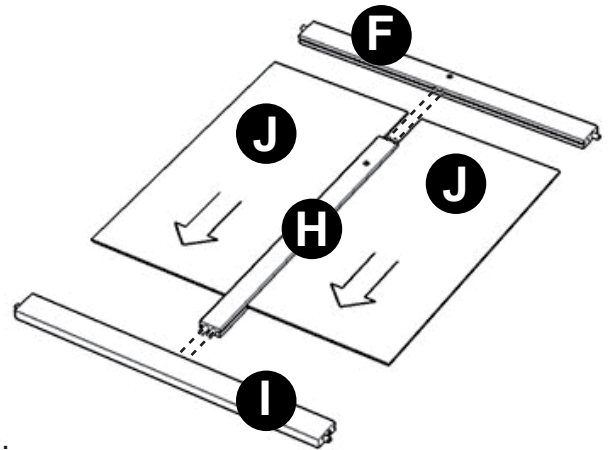
Figure 1

STEP 2

Attach Back Upright (H) to Back Stretcher (I).

Slide Back Panels (J) into place.

Attach Back Stretcher (F) to Back Upright (H).



STEP 3

Attach Front Stretchers (C) and (D) to Front Upright (E).

STEP 4

Attach Divider (G) to unit from Step 2.

Attach unit from Step 3 to unit.

Attach Side Panels (A) and (B) to unit with Cam Locks. (See Figure 2)

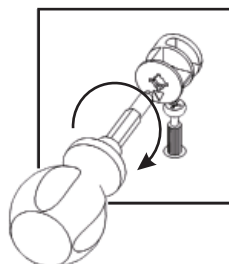
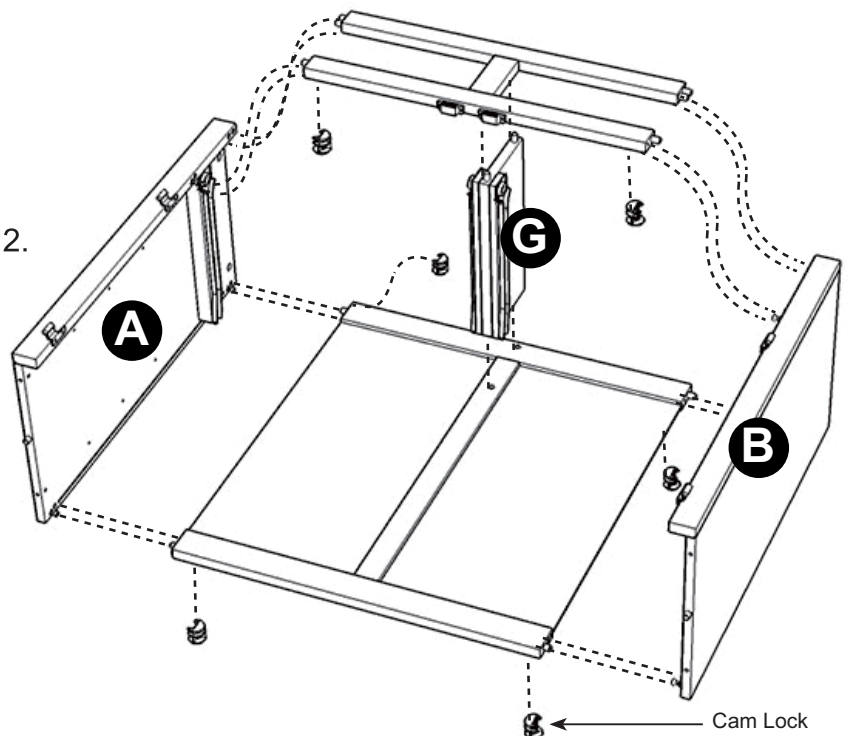
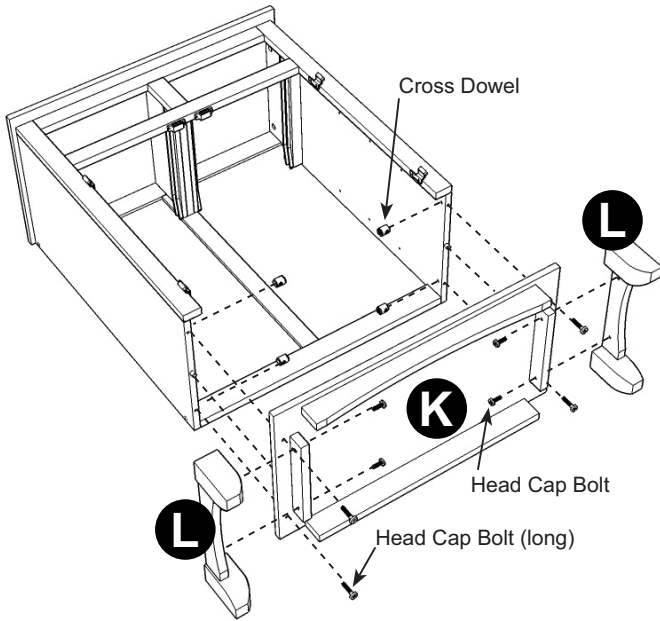


Figure 2





STEP 5

Attach Base (K) to unit with Cross Dowels and Head Cap Bolts (long).

Attach Legs (L) to Base (K) with Head Cap Bolts. (See Figure 3)

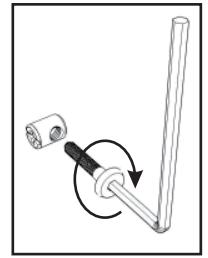
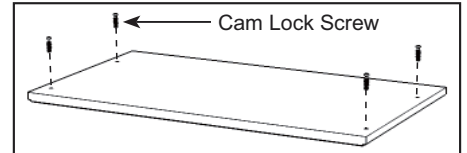


Figure 3

STEP 6

Insert Cam Lock Screws into the pre-drilled holes of Top.



STEP 7

Turn the unit to its' upright position.

Attach Top to unit with Cam Locks.

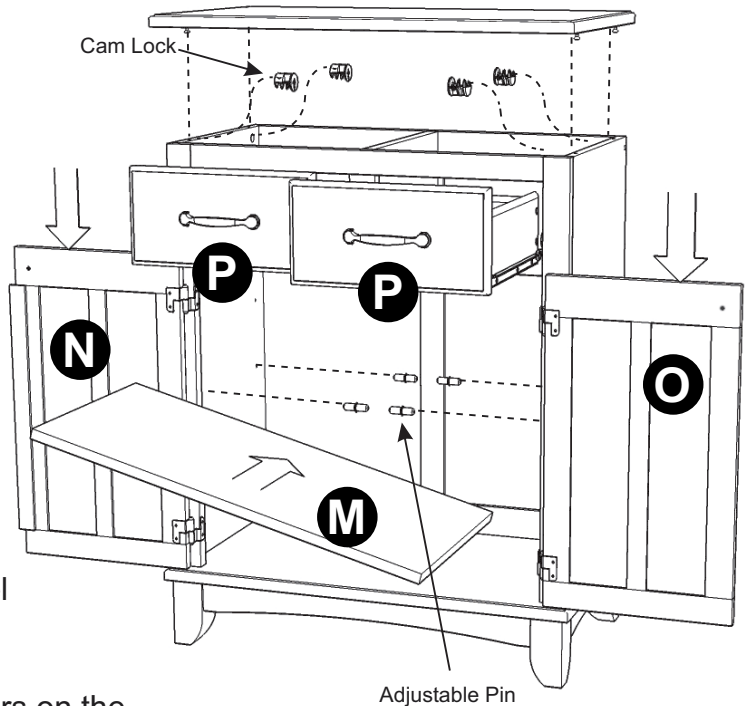
Insert Adjustable Pins into side panels at the desired level.

Place Shelf (M) into position.

Attach Knobs to Door (N) and (O) with Machine Screws. (See Figure 4)

Attach Door (N) and (O) to side panels by sliding the door lift hinges into the side panel lift hinges. (See Figure 5)

To level the unit, adjust the adjustable levelers on the bottom of unit (See figure 6)



Adjustable Pin

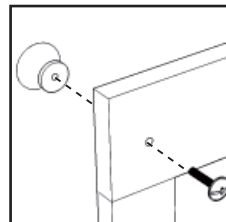
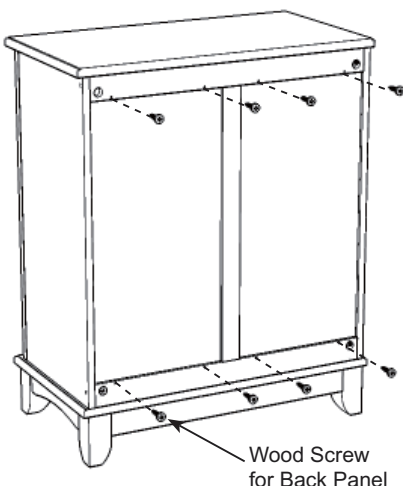


Figure 4

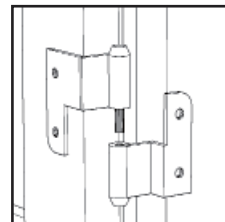


Figure 5

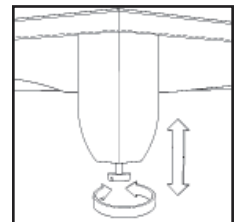


Figure 6

STEP 8

Insert 8X Wood Screws for back panel into pre-drilled holes of back panel.

Note : Please make sure unit is level before tightening these screws.

Attention!

To help reduce the risk of the unit tipping over, the Tipover Restraint must be installed following these instructions exactly!

Place unit at desired location.

Drill a 3/8" hole in wall at the appropriate location.

Insert Anchor into the wall hole and attach Bracket with Wall Screw.

Attach Bracket at pre-drilled hole at top of unit with Wood Screw.

Use Tipover Restraint to secure Bracket on unit to Bracket on wall.
(See Figure X)

Put tie end of Tipover Restraint into loop end of Tipover Restraint and pull until tight.

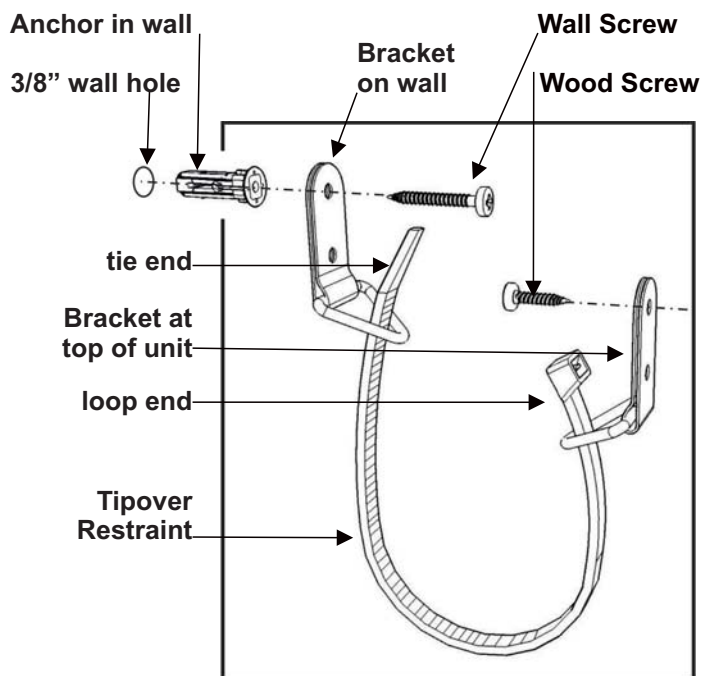
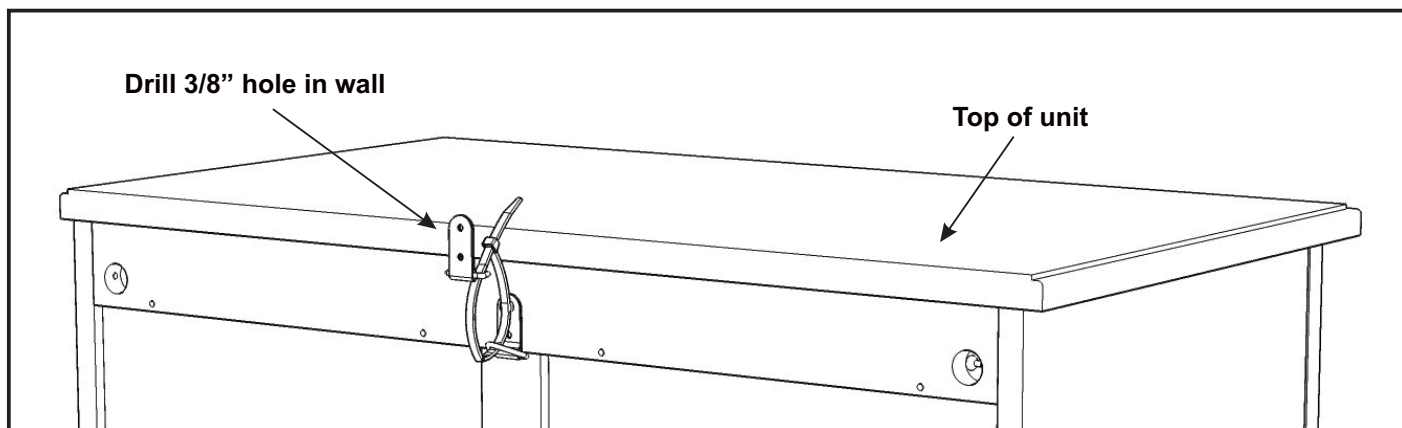
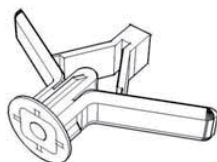


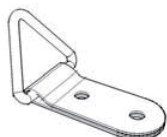
Figure X



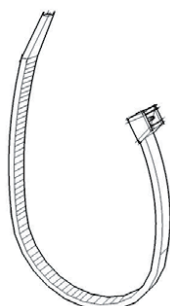
Hardware List



Anchor
1 pc.(+1 extra)



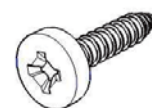
Bracket
2 pcs.(+1 extra)



Tipover Restraint
1 pc.(+1 extra)



**M3.5x40
Wall Screw**
1 pc.(+1 extra)



**M3.5x13
Wood Screw**
1 pc.(+1 extra)

Drawer

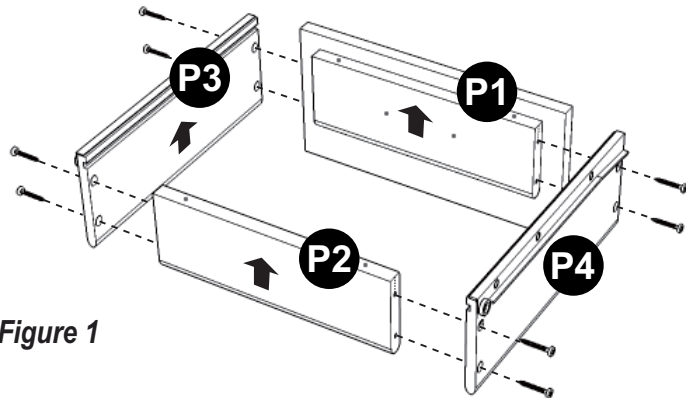
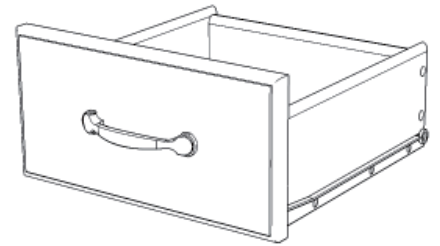


Figure 1

STEP 1

Attach P1, P3 and P4 using a Phillips screwdriver and long Wood Screws (4X), tighten halfway.

Attach P2 to P3 and P4 using long Wood Screws (4X), tighten halfway. (See Figure 1)



STEP 2

Slide P5 into grooves in P3 and P4. Be sure to push P5 all the way forward so it meets P1. (See Figure 2)

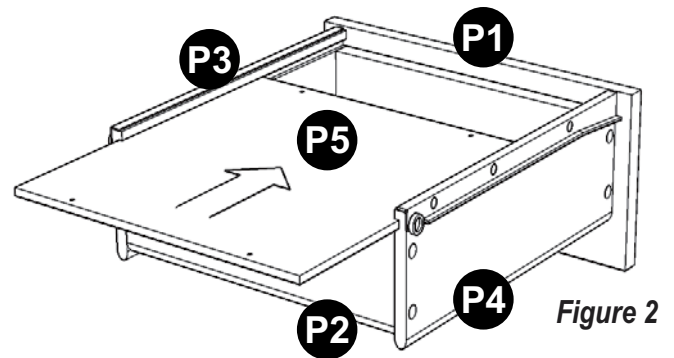


Figure 2

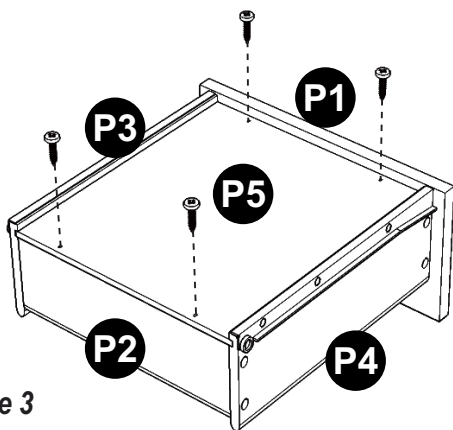


Figure 3

STEP 3

Insert short Wood Screws (4X) into pre-drilled holes in P5, tighten screws. (See Figure 3)

STEP 4

Attach Pull Handle with Machine Screws. (See Figure 4)

Tighten all screws used in drawer assembly.

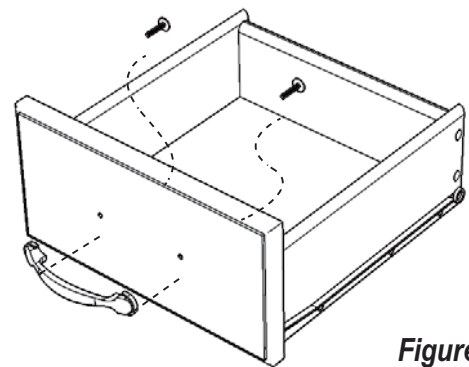
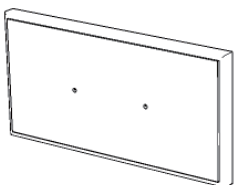
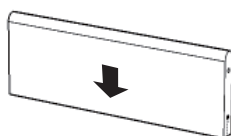


Figure 4

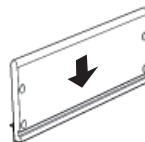
Part List



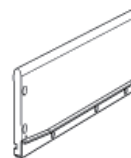
P1.
Front Part
2 Pcs.



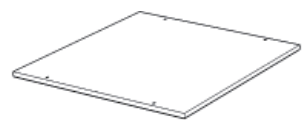
P2.
Back Part
2 Pcs.



P3.
Side Part
2 Pcs.

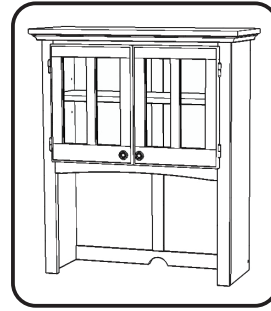


P4.
Side Part
2 Pcs.



P5.
Base Part
2 Pcs.

Hutch



Hutch



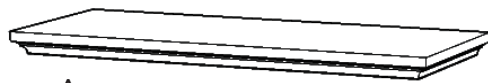
IMPORTANT

Carefully remove all the parts from the carton and place them individually on a soft cloth to prevent scratches or other damage.

Carefully and strictly follow these assembly instructions to ensure a completed product as designed.

Do not use power tools above 8 volts to assemble.

Part List



A.
Top
1 pc.



F.
Back Rail
1 pc.



G.
Back Rail
1 pc.



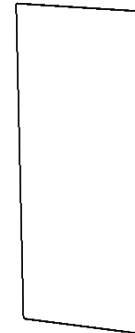
I.
Fixed Shelf
1 pc.



B.
Side Panel
1 pc.



C.
Side Panel
1 pc.



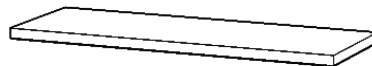
D.
Back Panel
2 pcs.



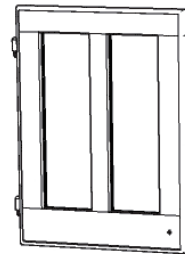
E.
Back Upright
1 pc.



H.
Front Rail
1 pc.



J.
Shelf
1 pc.



K.
Door
1 pc.



L.
Door
1 pc.

Hardware List



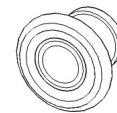
Cam Lock
14 pcs. (+2 extra)



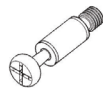
M3.5x16
Wood Screw for Back Panel
8 pcs. (+1 extra)



Adjustable Pin
4 pcs. (+1 extra)



Knob
2 pcs.



Cam Lock Screw
14 pcs. (+1 extra)



M4x13
Wood Screw for Bracket
8 pcs. (+1 extra)



M4x25
Machine Screw
2 pcs.



Bracket
2 pcs.

Tool(s) required for assembly: Phillips screwdriver, Drill (8 volts or less), 3/8" Drill Bit

Home Styles Customer Service: www.homestyles-furniture.com,
 servicedesk@homestyles-furniture.com, 888-680-7460, 877-831-0319

Assembly Instructions 2/6

IMPORTANT

- Use a soft cloth between these parts and the floor.
- Do not use power tools above 8 volts to assemble.
- Do not tighten all the screws until each part is properly assembled.

STEP 1

Insert Cam Lock Screws into pre-drilled holes in Top (A) and Side Panels (B), (C), then tighten. (See Figure 1)

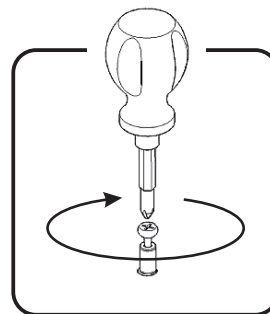
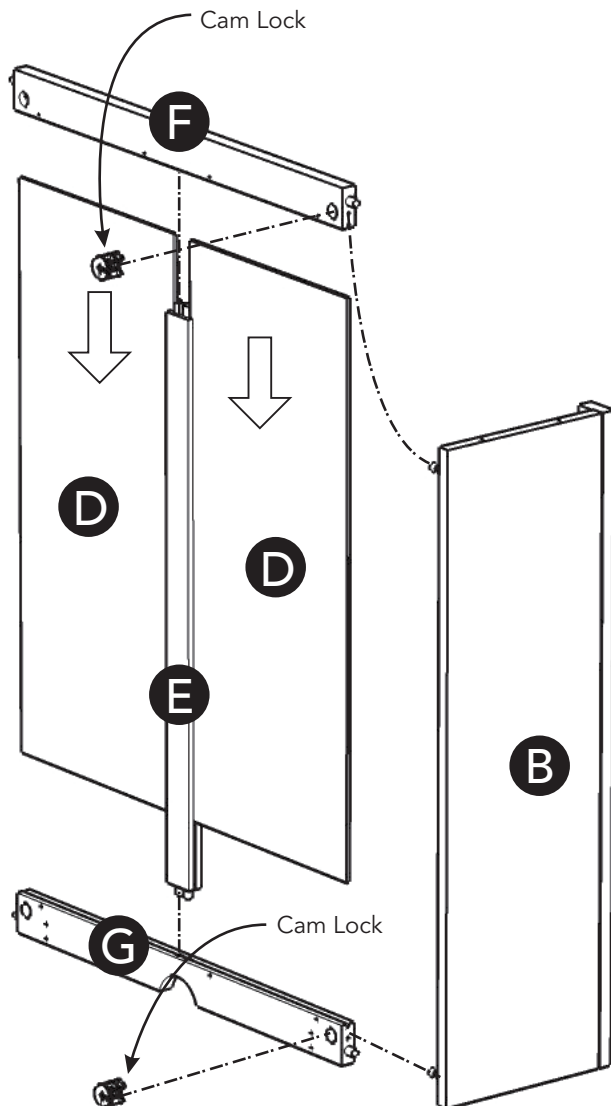
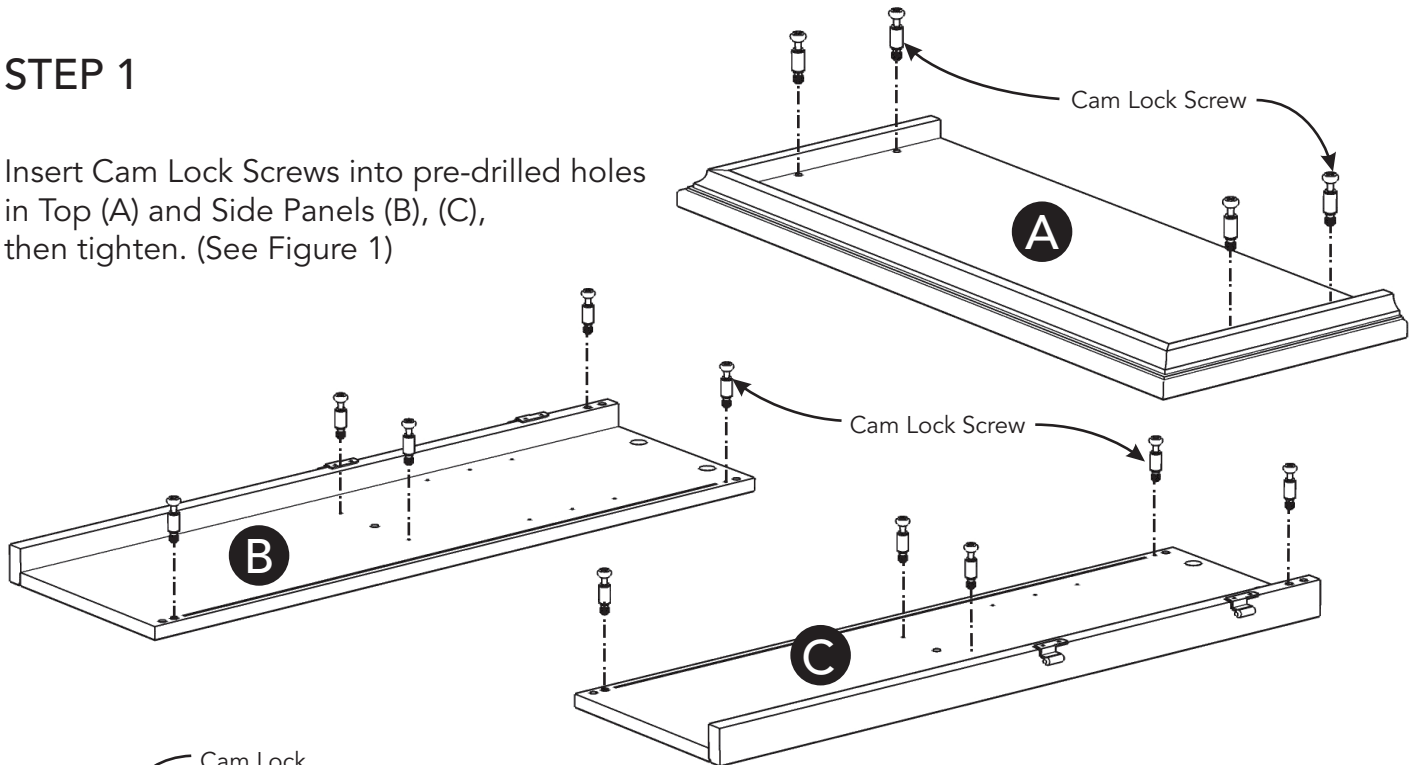


Figure 1

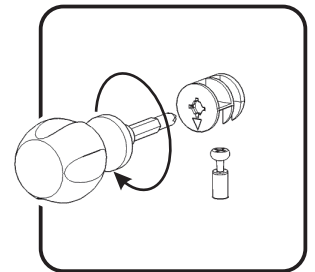


Figure 2

STEP 2

Attach Back Rail (G) to Side Panel (B) with Cam Lock. (See Figure 2)

Attach Back Upright (E) to Back Rail (G).

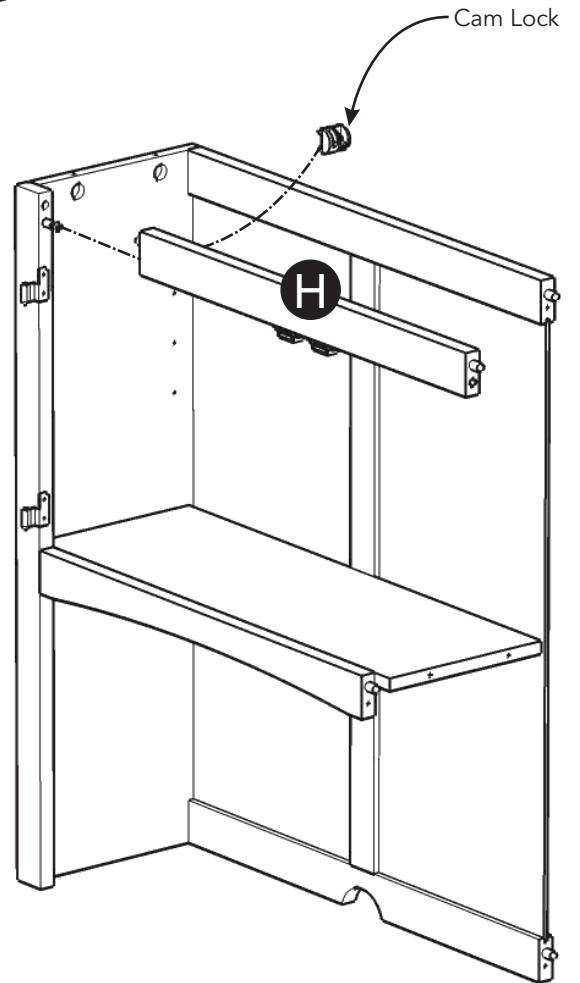
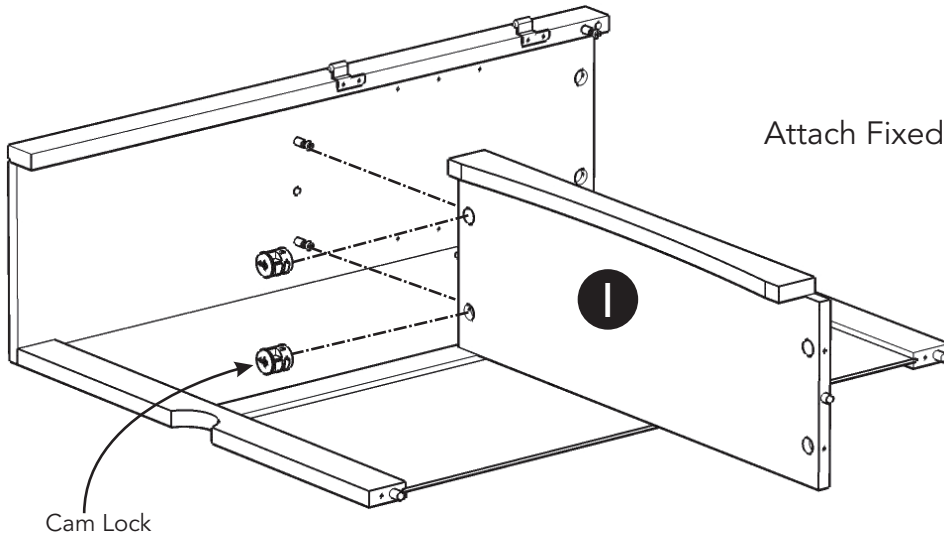
Slide Back Panels (D) into position.

Attach Back Rail (F) to unit with Cam Lock.

Assembly Instructions 3/6

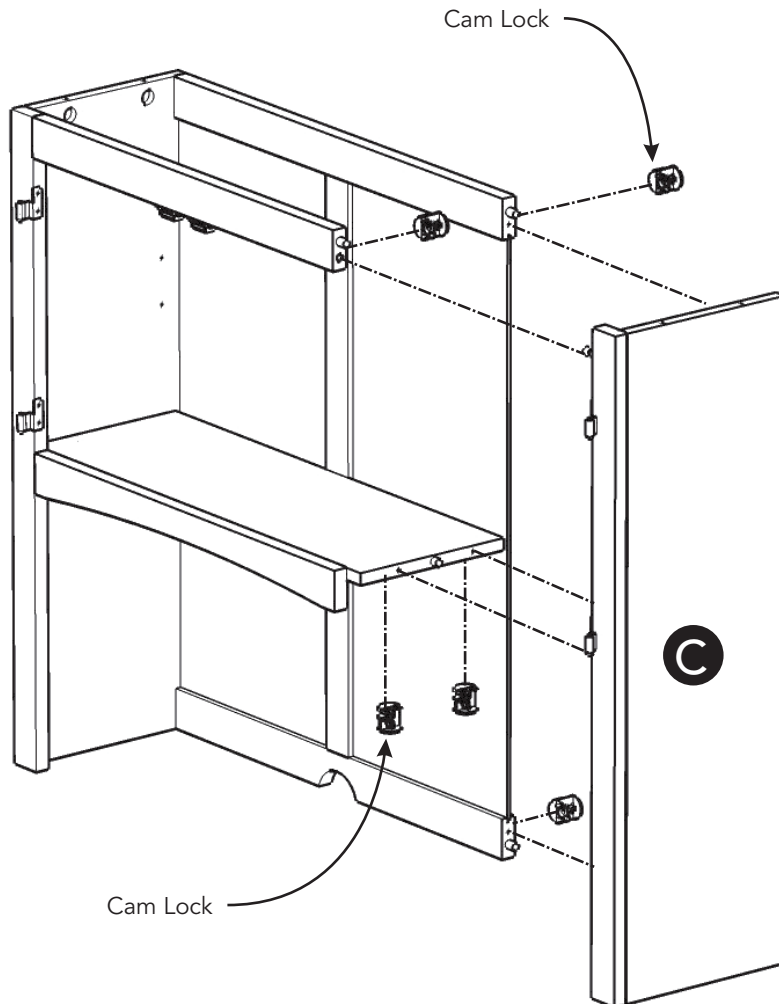
STEP 3

Attach Fixed Shelf (I) to unit with Cam Locks.



STEP 4

Attach Front Rail (H) to unit with Cam Lock.



STEP 5

Attach Side Panel (C) to unit with Cam Locks.

Assembly Instructions 4/6

STEP 6

Insert Adjustable Pins into side panels at desired level.

Place Shelf (J) into position.

Attach Doors (K) and (L) to unit by sliding door hinges into side panel hinges.
(See Figure 3)

Attach Knobs to Doors (K) and (L) with Machine Screws.
(See Figure 4)

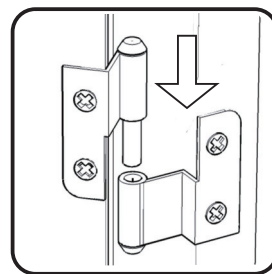
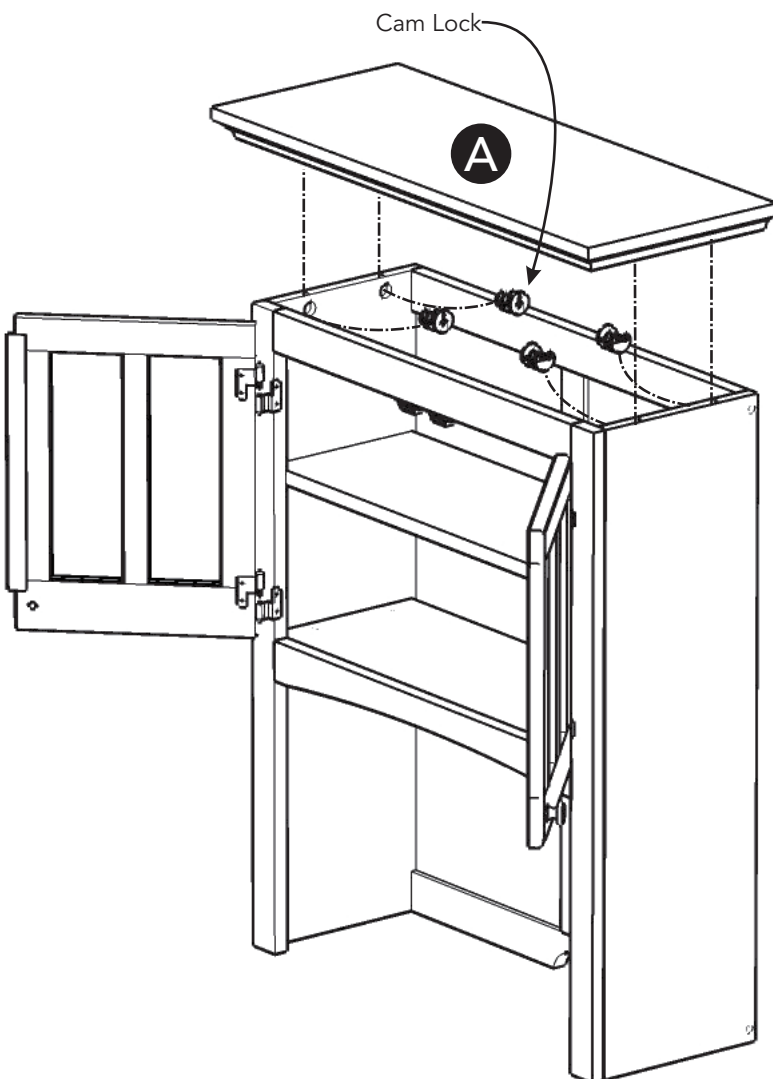
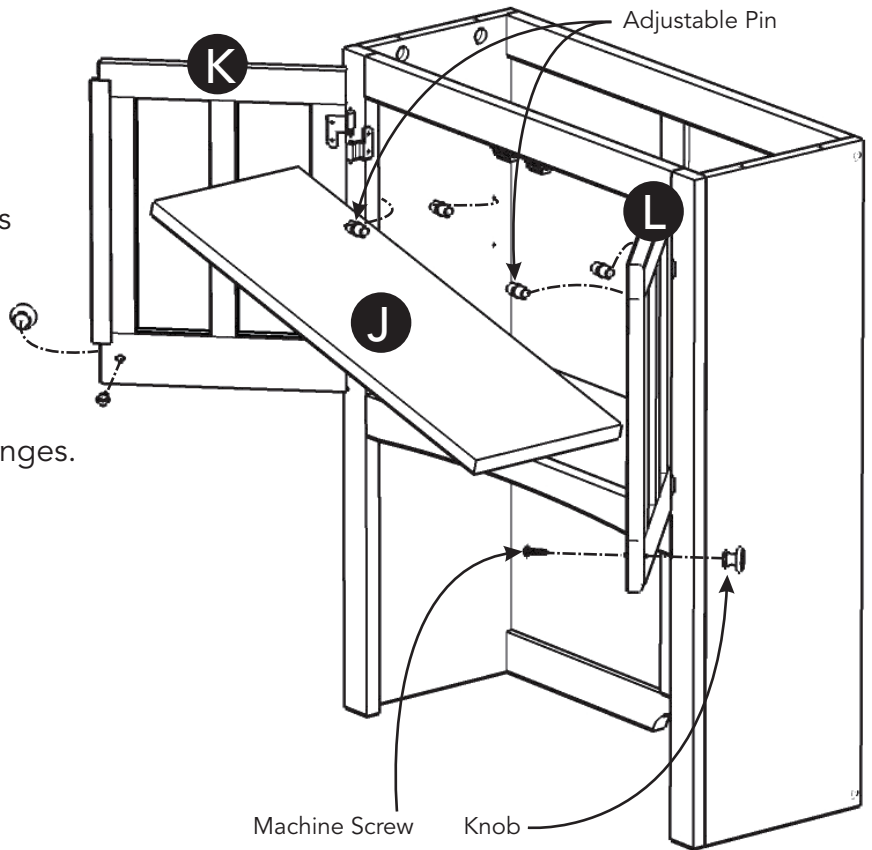


Figure 3

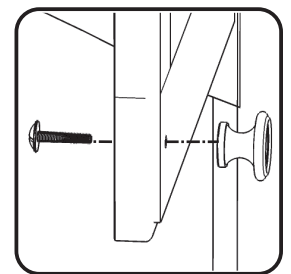


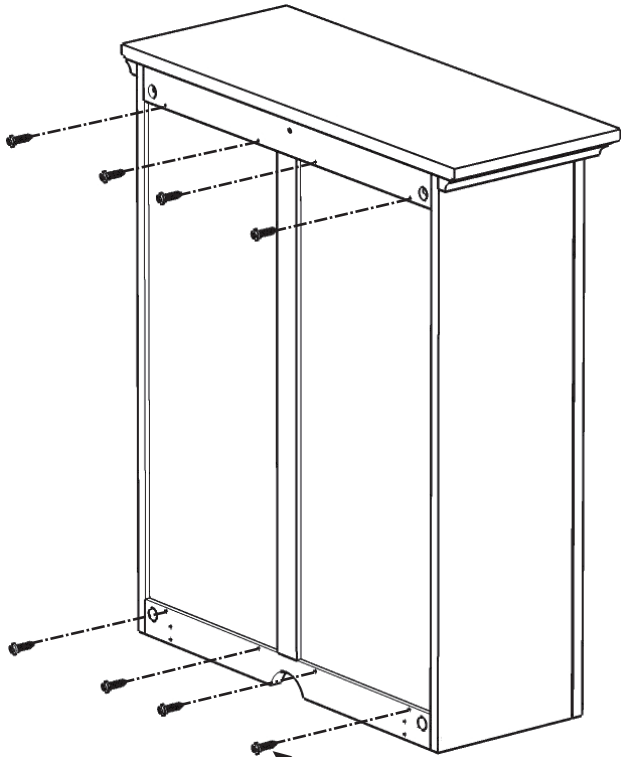
Figure 4

STEP 7

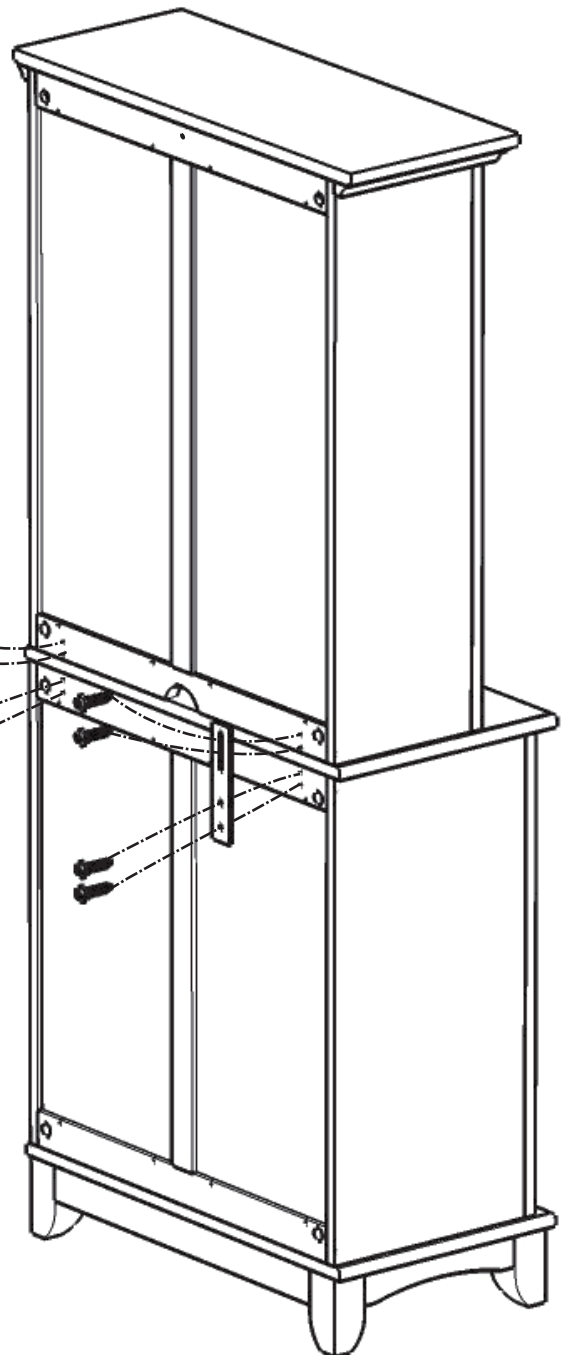
Attach Top (A) to unit with Cam Locks.

STEP 8

Insert Wood Screws for Back Panel into pre-drilled holes in unit.



Wood Screw
for Back Panel



Wood Screw
for Bracket

Bracket

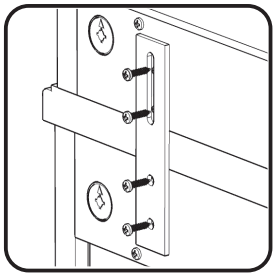


Figure 5

STEP 9

Attach Hutch to Buffet with Brackets by inserting Wood Screws for Bracket into pre-drilled holes. (See Figure 5)

Assembly Instructions 6/6

IMPORTANT

• To help reduce the risk of the unit tipping over, the Tipover Restraint must be installed following these instructions exactly.

STEP 10

Place unit at desired location.

Drill a 3/8" hole in wall in-line with pre-drilled hole at top of unit.

Move unit.

Insert Anchor into the wall hole and attach Bracket with Wall Screw.

Attach Bracket at pre-drilled hole at top of unit with Wood Screw.

Move unit back into place.

Slide Tipover Restraint through Bracket on wall and Bracket on unit.
(See Figure 6)

Put tie end of Tipover Restraint into lock end of Tipover Restraint and pull until tight.

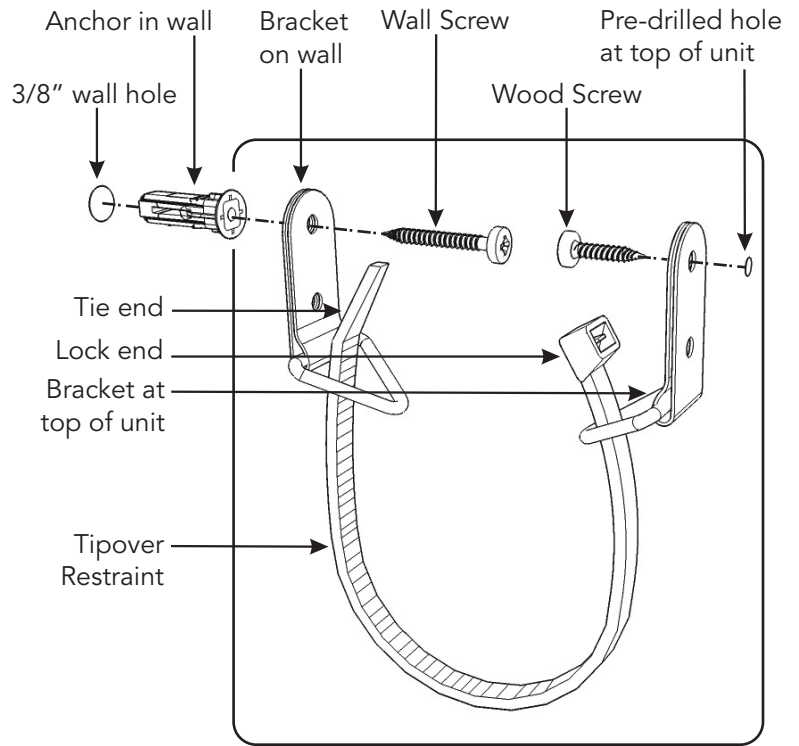
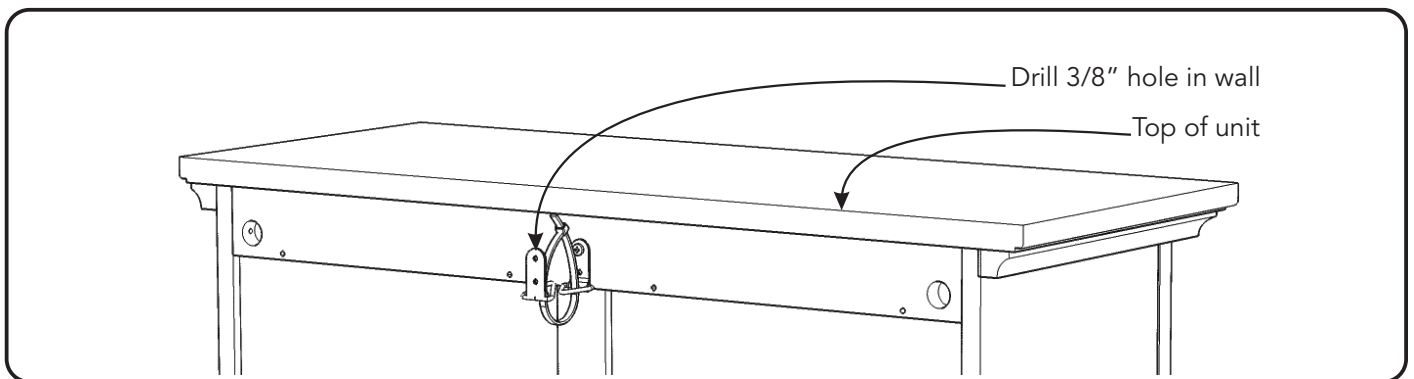
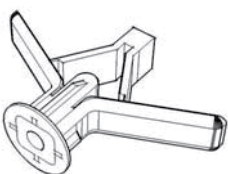


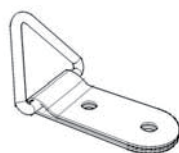
Figure 6



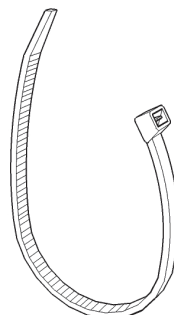
Hardware List



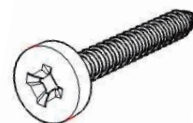
Anchor
1 pc. (+1 extra)



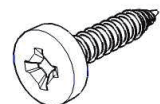
Bracket
2 pcs. (+1 extra)



Tipover Restraint
1 pc. (+1 extra)



M3.5x40
Wall Screw
1 pc. (+1 extra)



M3.5x16
Wood Screw
1 pc. (+1 extra)

CARE INSTRUCTIONS

NEVER

allow liquids to remain on furniture.
Absorption causes parts to warp
and split and finishes to delaminate.

NEVER

use glass cleaners on
finished furniture. Ammonia
chemically attacks the finish.



Do not use power tools
above 8 volts to assemble.

**PREVENT
CRACKING**



Do not place
in direct sunlight.

**PREVENT
FADING**



Do not write
directly on surface.

**PREVENT
MARKING**



Do not place hot
objects on surface.

**PREVENT
FINISH DAMAGE**



Do not use rubber
based placemats.

**PREVENT
DISCOLORING**



Do not use commercial
waxes and polishes.

**PREVENT
YELLOWING**

CLEAN

with a soft cloth moistened
in lukewarm soap and water.
Buff with a dry clean cloth.



Home Styles will provide replacements free of charge for missing or damaged hardware or parts within 30 days of purchase. Digital images of the defective parts may be required. If the product was not purchased from an authorized retail affiliate, Home Styles is under no obligation to provide replacement parts. Parts are not available for fully assembled items nor are parts available for sale. Replacements for missing or damaged hardware or parts may be requested at:

www.homestyles-furniture.com/customer-service/replacement-parts

Home Styles Customer Service: www.homestyles-furniture.com,
servicedesk@homestyles-furniture.com, 888-680-7460, 877-831-0319

homestyles[®]

88 5001 102

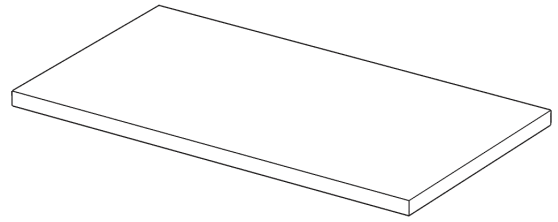
Stainless Steel Top

IMPORTANT

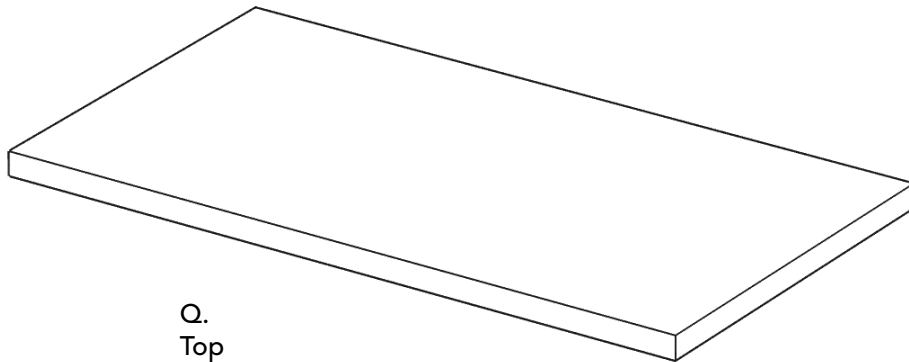
Carefully remove all the parts from the carton and place them individually on a soft cloth to prevent scratches or other damage.

Carefully and strictly follow these assembly instructions to ensure a completed product as designed.

Do not use power tools above 8 volts to assemble.



Part List



Q.
Top
1 pc.

Care Instructions

This stainless steel top is made from high grade stainless steel on a strong wood product base construction.

To avoid scratching the top during assembly, do not remove the top from this carton until the body has been assembled and is ready for the top to be installed. After removing the top from this carton place it on a soft cloth.

This stainless steel top is ideal as a surface for food preparation but cannot be used as a cutting or chopping board. Do not use knives or any sharp objects directly on the top.

If scratched the following may improve the appearance of the top:
Apply talcum powder or flour on the scratched area and rub with very fine steel wool in the same direction as the top's hairline scratch pattern.

For assembly see instructions in carton 88 5001 Buffet carton.

Home Styles Customer Service: www.homestyles-furniture.com,
servicedesk@homestyles-furniture.com, 888-680-7460, 877-831-0319