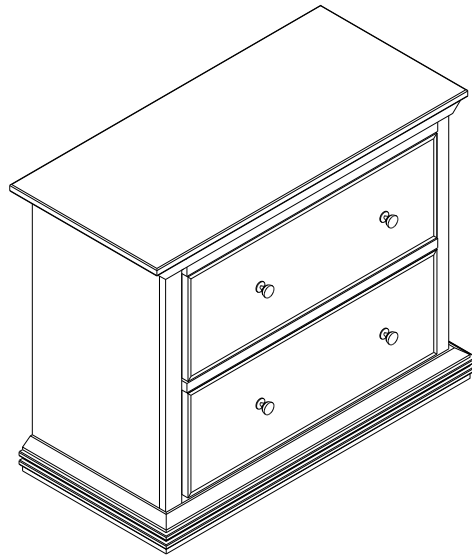


USE AND CARE GUIDE

ELDRIDGE - FILE CABINET IN HAZE



Questions, problems, missing parts? Before returning to the store,
call Home Decorators Collection Customer Service.
8 a.m. – 7 p.m., EST, Monday – Friday, 9 a.m. – 6 p.m., EST, Saturday

1-800-986-3460

HOMEDEPOT.COM/HOMEDECORATORS

THANK YOU

We appreciate the trust and confidence you have placed in Home Decorators Collection through the purchase of this Cabinet. We strive to continually create quality products designed to enhance your home. Visit us online to see our full line of products available for your home improvement needs. Thank you for choosing Home Decorators Collection!

Table of Contents

Table of Contents	2	Pre-assembly (continued)	4
Safety Information	2	Package Contents	4
Pre-assembly	3	Assembly	5
Planning Assembly	3	Maintenance	6
Tools Required	3	Care and Cleaning	6
Hardware Included	3		

Safety Information



DANGER

- Keep small parts away from children during assembly.
- Read and follow instructions carefully.



WARNING

- Read these instructions carefully and keep in a safe place.
- **TO GUARANTEE THE SAFE USE OF THIS PRODUCT, FOLLOW THE WARNINGS, GUIDELINES AND RECOMMENDATIONS IN THIS MANUAL.**
- Adult assembly required.
- Small parts may present choking hazard prior to assembly.
- Do not stand, step or climb on unit.



CAUTION

- Do not use power tools to assemble your item.
- Power tools may strip or damage parts/product.
- Do not over tighten connectors (screws, bolts, etc.) Overtightening can lead to product damage.
- Be sure to check all packing materials carefully for small parts that may have come loose inside the carton during shipment. If parts are missing, contact THE HOME DEPOT to obtain any missing parts.
- **DO NOT USE SUBSTITUTE PARTS.**
- This product should only be used on a flat, level surface.
- Product is designed to load up to 22lbs on each drawer. Exceeding this limit may damage the product or cause injury to the user.

Pre-assembly

PLANNING ASSEMBLY

Compare parts with the Hardware Included and Package Contents lists in this document. If anything appears missing or damaged, do not assemble this product. Call Customer Service at 1-800-986-3460

TOOLS REQUIRED



Safety goggles



Phillips screwdriver



Level

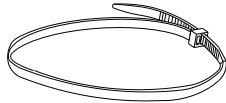
HARDWARE INCLUDED



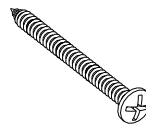
NOTE: Hardware not shown to actual size.



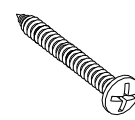
AA



BB



CC

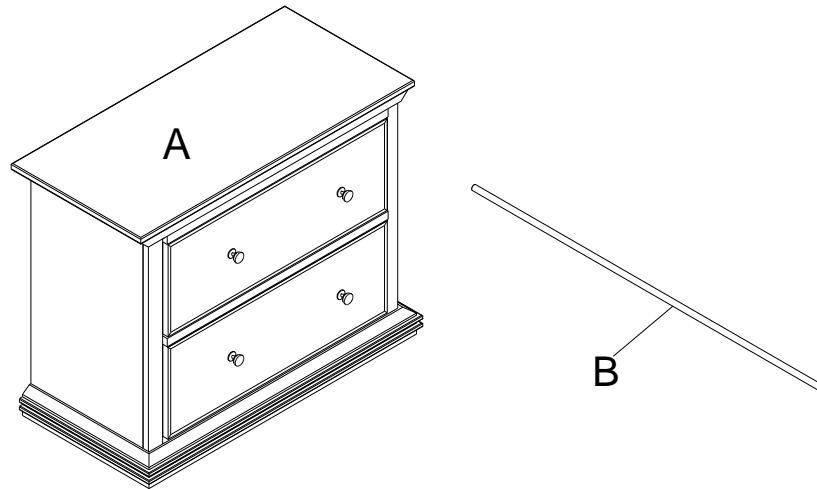


DD

Part	Part Description	Quantity
AA	Bracket	2
BB	Restraint Strap	1
CC	Short Screw	1
DD	Long Screw	1

Pre-assembly (continued)

PACKAGE CONTENTS



Part	Component Description	Quantity
A	File Cabinet	1
B	Metal Bar	8

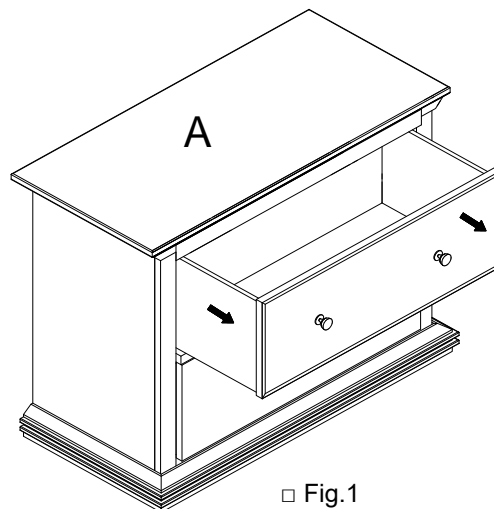
Assembly

1 How to assemble the metal rod into the drawer

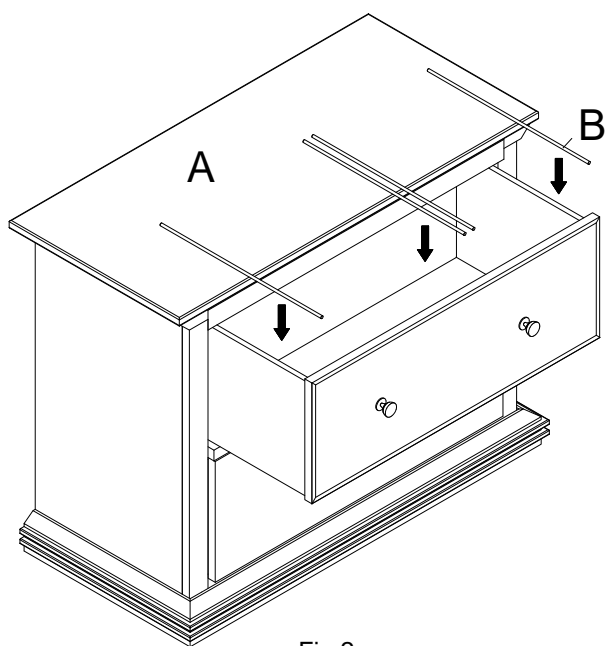
- Pull drawer (A) out carefully. (Reference Fig.1)
- Place metal rods (B) in grooves as shown in Fig.3



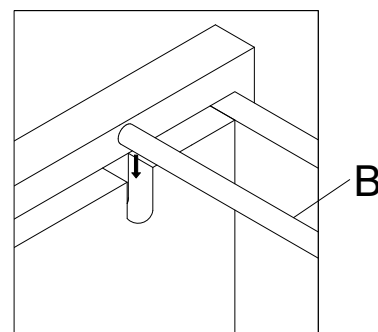
NOTE: Make sure metal rod set in completely.



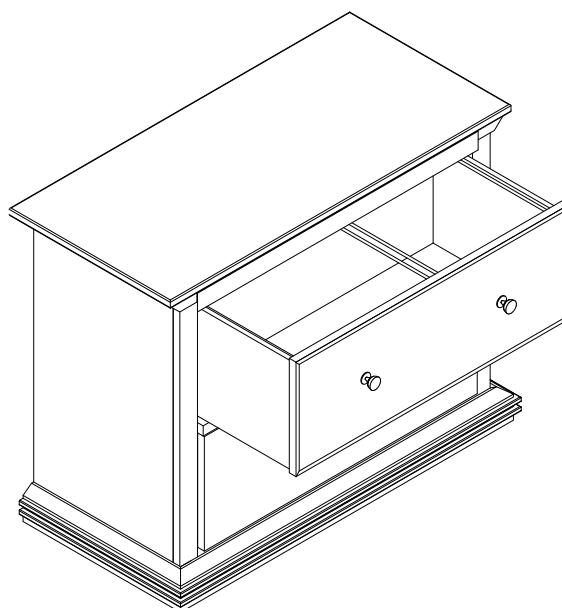
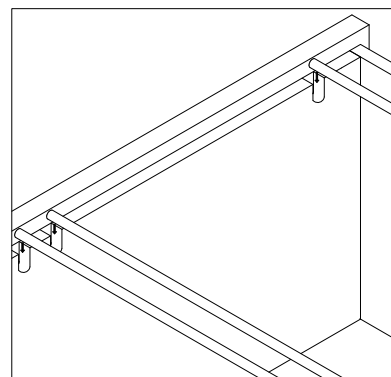
□ Fig.1



□ Fig.2



□ Fig.3

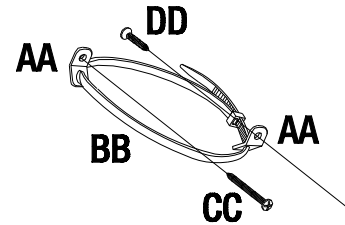


Assembly

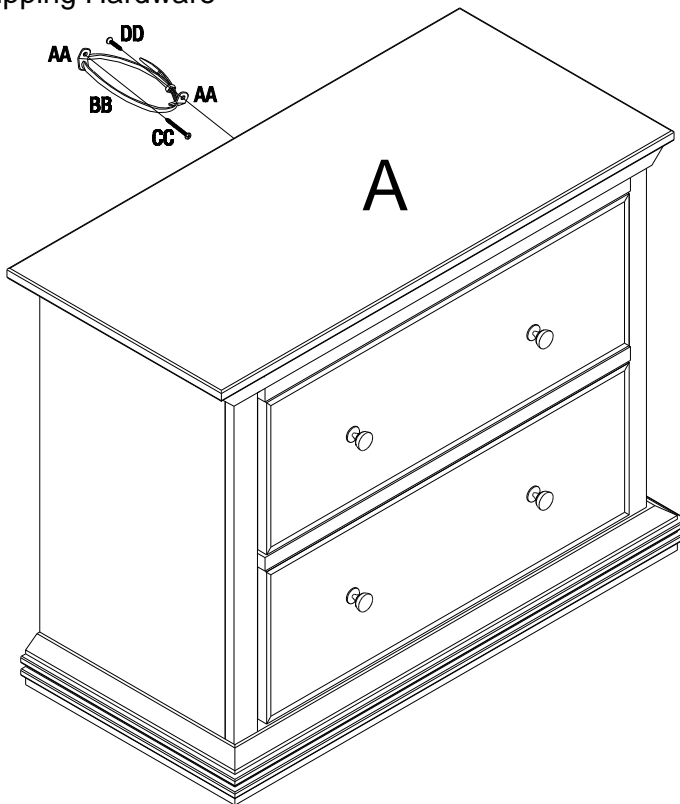
2 Install Tipping Restraint to Case

- Attach a bracket (AA) securely to the back top rail of the furniture by using the screw (DD) provided, through the smaller hole.
- Locate other bracket (AA) on the wall over a wall stud same way as installation on case's back with screw (CC) provided.
- Place the furniture into position.
- Lace the end of the restraint strap (BB) through larger hole in each mounting bracket. Bring both ends together and slide the flat end through the locking and draw it through until the slack is removed.
- Confirm finally the strap is securely laced & locked.

Tipping Hardware



Tipping Hardware



Maintenance

- If your furniture is stained or otherwise damaged during use, contact a professional for repairs.

Care and Cleaning

- Use a soft, clean cloth that will not scratch the surface when dusting.
- Use of furniture polishes is not necessary. Should you choose to use polishes, test the polish in an inconspicuous area before using over the entire surface of the product.
- Using solvents of any kind on your furniture may damage the finish.
- Never use water to clean your furniture as it may cause damage to the finish.
- Always use coasters under beverage glasses and flowerpots.
- Liquid spills should be removed immediately. Using a soft, clean cloth, blot the spill gently. Avoid rubbing.
- Always use protective pads under hot dishes and plates. Heat can cause chemical changes that may create spotting within the furniture finish.
- Use care as stains or marks from crayons or ink markers will be difficult to remove.
- Be sure to immediately clean red wine or soda stains within 30 minutes or the surface will stain

HOME
DECORATORS
COLLECTION®

Questions, problems, missing parts?
Before returning to the store, call Home Decorators Collection Customer Service.
8 a.m. – 7 p.m., EST, Monday – Friday, 9 a.m. – 6 p.m., EST, Saturday

1-800-986-3460

HOMEDEPOT.COM/HOMEDECORATORS

Retain this manual for future use.