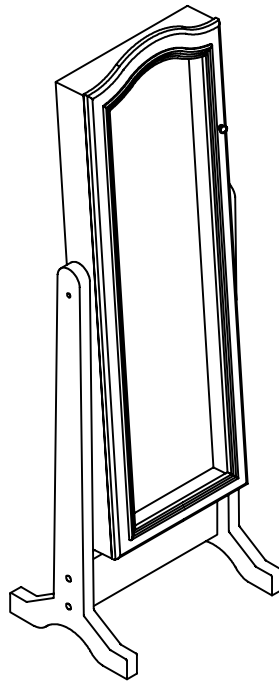


StyleWell™

Model #BF-25636-BK
BF-25636-PA
Item #1004020546
1004019357

USE AND CARE GUIDE

THD PRODUCT NAME: JEWELRY MIRROR WITH HINGED DOOR



Questions, problems, missing parts? Before returning
to the store, Call Customer Service
8 a.m. - 7p.m., EST, Monday - Friday, 9 a.m. - 6 p.m.,
EST, Saturday

1-877-527-0313
HOMEDEPOT.COM

THANK YOU

We appreciate the trust and confidence you have placed in Stylewell through the purchase of this jewelry mirror. We strive to continually create quality products designed to enhance your home. Visit us online to see our full line of products available for your home improvement needs. Thank you for choosing Stylewell!

Table of Contents

Table of Contents.....	2	Assembly.....	5
Safety Information.....	2	Maintenance.....	8
Warranty.....	2	Care and Cleaning	8
What is Covered.....	2		
What is Not Covered.....	2		
Pre-Assembly.....	3		
Planning Assembly.....	3		
Tools Required.....	3		
Hardware included	3		
Package contents	4		

Safety Information

Read and understand these instructions before attempting to install or use this product.



CAUTION: Use caution when lifting heavy objects. Lifting heavy objects improperly could cause serious injury.



NOTE: Handle with care. Do not drop or handle roughly, as this could damage the linen cabinet.

Warranty

1 YEAR WARRANTY

WHAT IS COVERED

We guarantee this product to be free of manufacturing defects to the original purchaser for one year.

WHAT IS NOT COVERED

This warranty does not cover commercial use, acts of nature, and abusive use.

Pre-Assembly

PLANNING ASSEMBLY

Check the product for damage before installation. If any part of the product is missing or damaged, contact the Customer Service Team at 1-877-527-0313.

TOOLS REQUIRED



Phillips
screwdriver

HARDWARE INCLUDED



NOTE: Hardware not shown to actual size.



_____ A



_____ B



_____ C



_____ D



_____ E

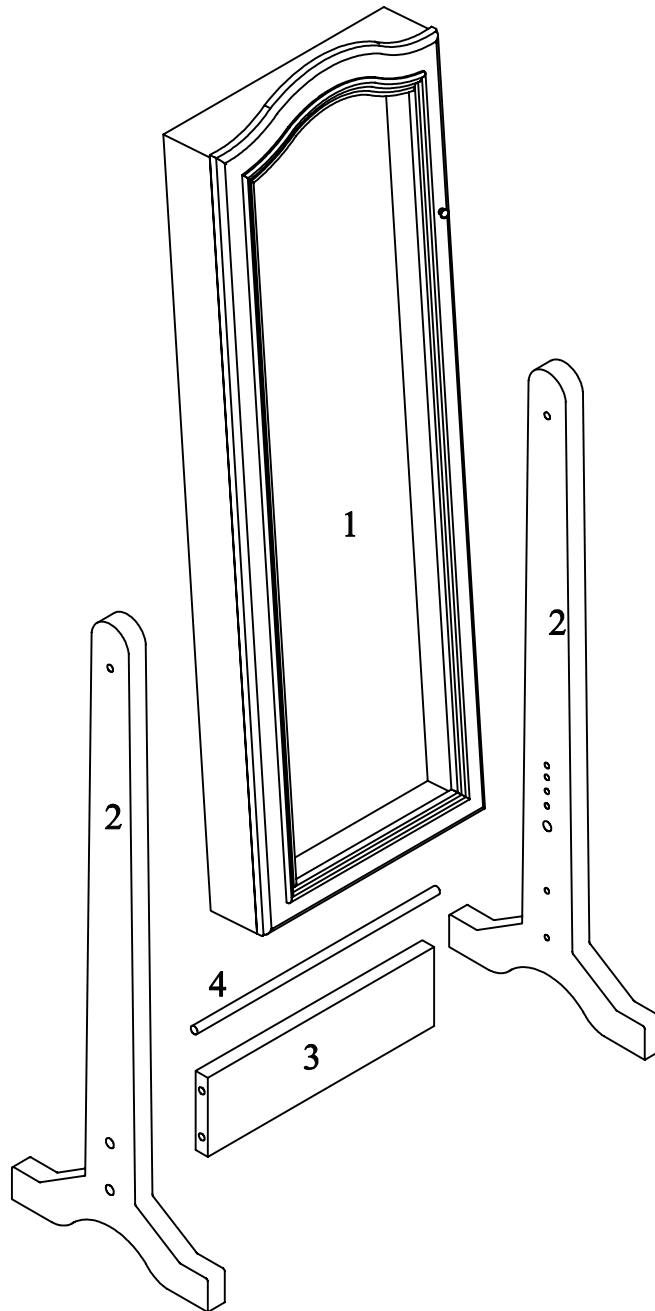


_____ F

Part	DESCRIPTION	Quantity
A	BOLTS	4
B	BOLTS	2
C	ALLEN WRENCH	1
D	PLASTIC SLEEVE	2
E	PLAT WASHER	2
F	DOWEL	2

Pre-Assembly

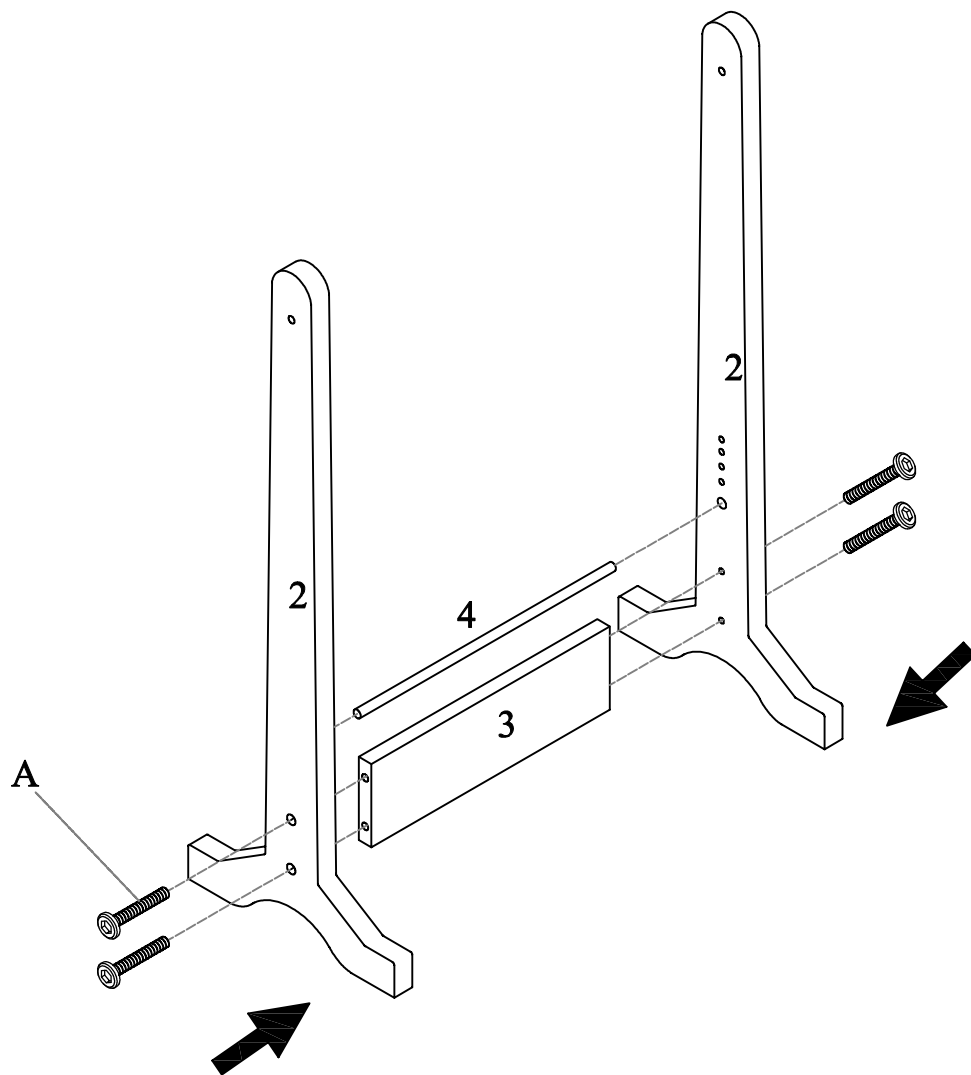
PACKAGE CONTENTS



Part	DESCRIPTION	Quantity
1	MIRROR PANEL	1
2	FOOT	2
3	LINK PANEL	1
4	WOOD ROD	1

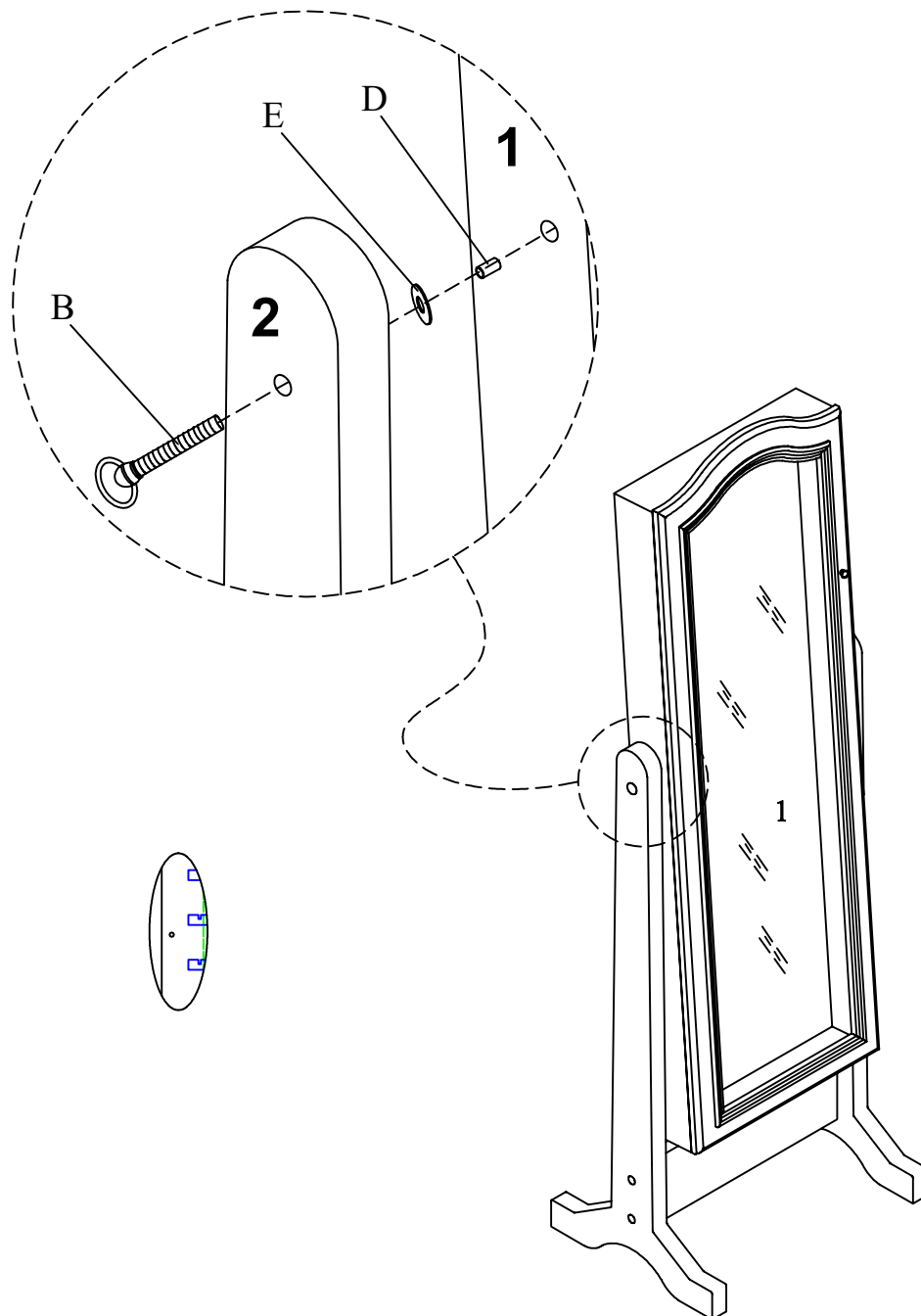
1 ASSEMBLE SHELF

- Align the link panel (3) and the wood rod (4) with the hole position of the 2 feet (2) and lock them with bolts (A), as shown in the figure.



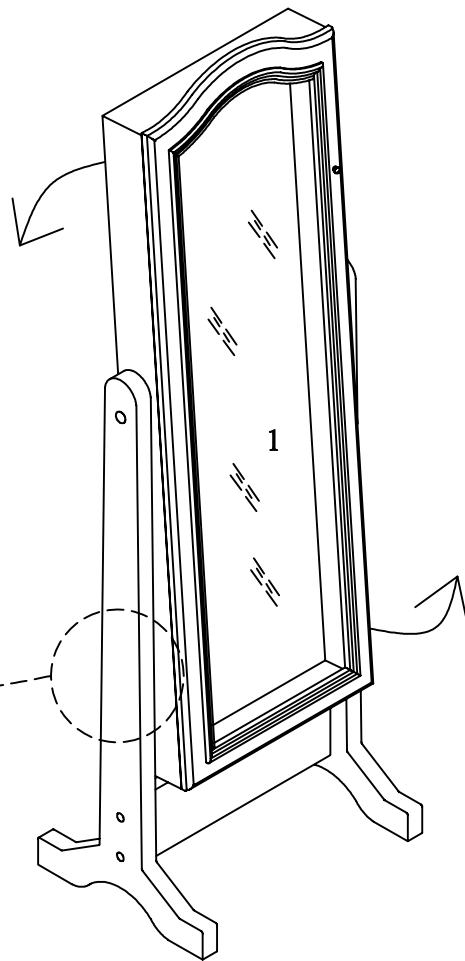
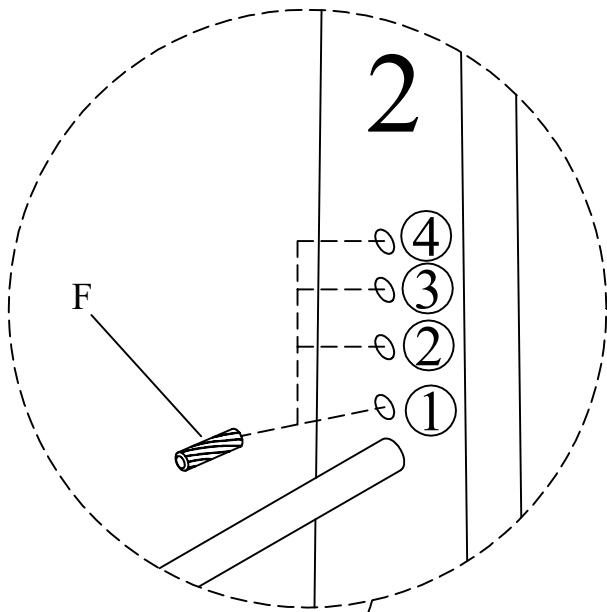
2 ASSEMBLE THE MIRROR

- Place the mirror panel (1) along the middle of the shelf and align it with the hole position.
- Place the plastic sleeve (D) and plat washer (E) foot (2) and mirror (1) and lock with bolts (B) as shown in the figure.



3 ADJUST THE ANGLE OF THE MIRROR

- Mirror has 4 adjustable Angle file, will 2 dowels (F) at the same time into the foot (2) hole (①, ②, ③, ④) to adjust the Angle you want.



Maintenance

- If your furniture is stained or otherwise damaged during use, contact a professional for repairs.

Care and Cleaning

- Use a soft, clean cloth that will not scratch the surface when dusting.
- Use of furniture polishes is not necessary. Should you choose to use polishes, test the polish in an inconspicuous area before using over the entire surface of the product.
- Using solvents of any kind on your furniture may damage the finish.
- Never use water to clean your furniture as it may cause damage to the finish.
- Always use coasters under beverage glasses and flowerpots.
- Liquid spills should be removed immediately. Using a soft, clean cloth, blot the spill gently. Avoid rubbing.
- Always use protective pads under hot dishes and plates. Heat can cause chemical changes that may create spotting within the furniture finish.
- Use care as stains or marks from crayons or ink markers will be difficult to remove.
- Be sure to immediately clean red wine or soda stains within 30 minutes or the surface will stain.

StyleWell™

**Questions, problems, missing parts?
Before returning to the store, call Customer Service.
8 a.m. - 7 p.m., EST, Monday - Friday, 9 a.m. - 6 p.m., EST, Saturday**

1-877-527-0313

HOMEDEPOT.COM

Retain this manual for future