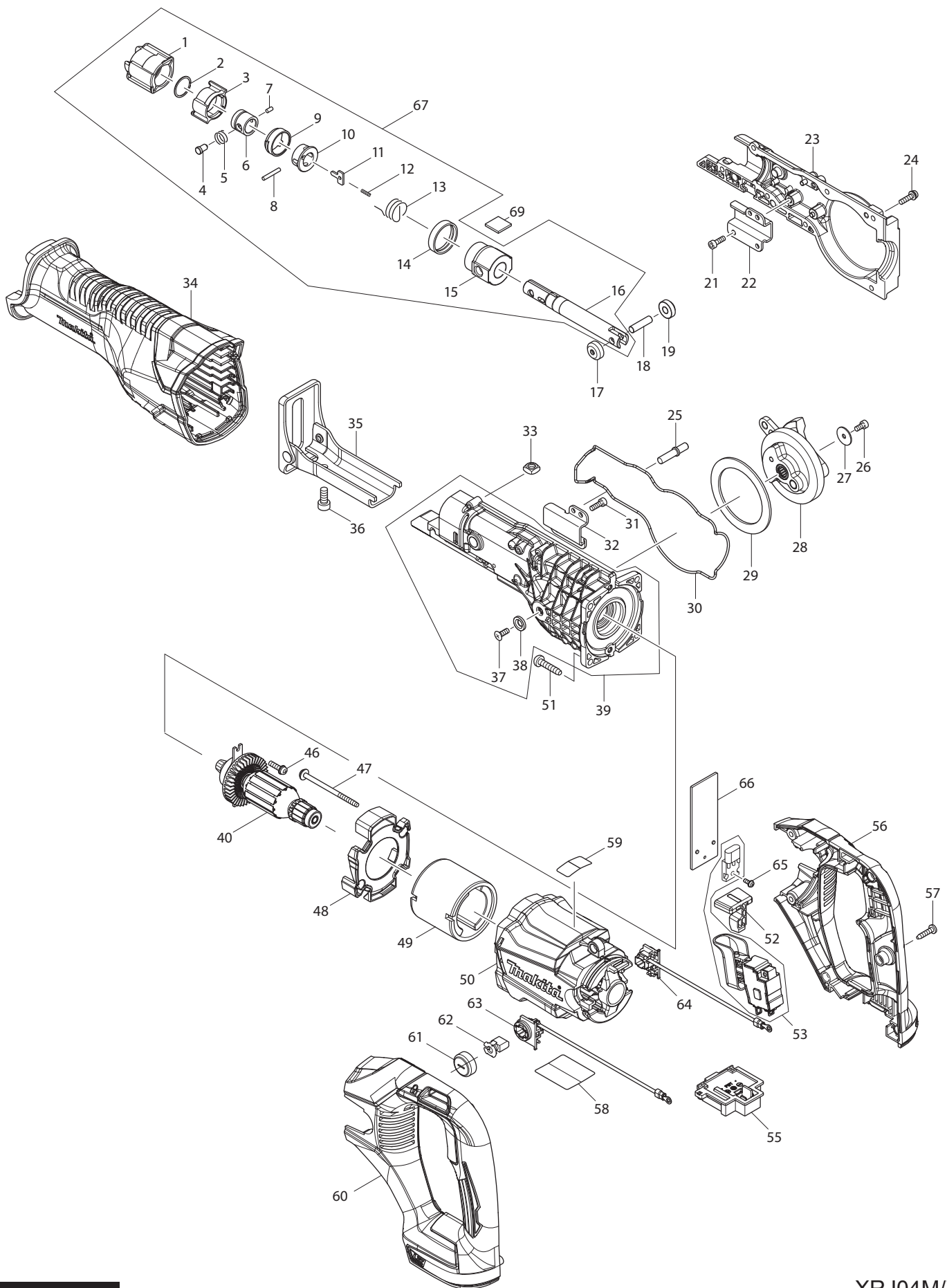


Model XPH01,XPH01CW,XPH01RW,XPH01Z Parts List

A = Standard Equipment

O = Circuit Diagram

Item#	Part#	Description	Q'ty	Unit
001	815C82-5	XPH01 NAME PLATE	1	XPH01, XPH01Z
	802R26-4	XPH01CW NAME PLATE	1	XPH01CW
	804V36-1	XPH01RW NAME PLATE	1	XPH01RW
002	188971-2	HOUSING SET	1 PC.	XPH01, XPH01Z
	188970-4	HOUSING SET	1 PC.	XPH01CW, XPH01RW
	C10 263005-3	RUBBER PIN 6	2 PC.	
	D10	INC. 19		
003	266429-2	TAPPING SCREW 3X16	9 PC.	
004	126289-3	SPEED CHANGE LEVER ASSEMBLY	1 PC.	
	C10 233438-6	COMPRESSION SPRING 4	2 PC.	
005	419250-0	F/R CHANGE LEVER	1 PC.	
006	650731-7	SWITCH C3HZ-1A-TLMS	1	
007	620012-3	LED CIRCUIT	1 PC.	
008	643852-2	TERMINAL	1 PC.	
009	251468-5	- FLAT HEAD SCREW M6X22	1 PC.	
010	766008-1	KEYLESS DRILL CHUCK 13	1 PC.	
011	126460-9	GEAR ASSEMBLY	1	
012	638425-4	YOKE UNIT	1 PC.	
013	619263-3	ARMATURE	1 PC.	
014	638494-5	BRUSH HOLDER COMPLETE	1 PC.	
015	CB440	CARBON BRUSH CB-440 (195021-6)	1 SET	
016	263032-0	RUBBER PIN 4	2 PC.	
017	452205-2	REAR COVER	1 PC.	XPH01, XPH01Z
	452202-8	REAR COVER	1 PC.	XPH01CW, XPH01RW
018	266429-2	TAPPING SCREW 3X16	2 PC.	
019	188971-2	HOUSING SET	1 PC.	XPH01, XPH01Z
	188970-4	HOUSING SET	1 PC.	XPH01CW, XPH01RW
	C10 263005-3	RUBBER PIN 6	2 PC.	
	D10	INC. 2		
020	232182-2	LEAF SPRING	1 PC.	
021	689170-4	HEAT SINK	1 PC.	
022	911013-5	PAN HEAD SCREW M3X10	1 PC.	
023	802P77-5	CAUTION LABEL	1	
024	424476-1	CUSHION	1 PC.	
A01	251314-2	+ SCREW M4X12	1 PC.	XPH01, XPH01CW, XPH01RW
A02	346449-3	HOOK	1 PC.	XPH01, XPH01CW, XPH01RW
A03	784637-8	+ - BIT 2-45	1 PC.	XPH01, XPH01CW, XPH01RW
A04	142146-7	PLASTIC CASE COMPLETE	1 PC.	XPH01
	141856-3	PLASTIC CASE COMPLETE	1 PC.	XPH01CW, XPH01RW
	C10 162302-3	LATCH	2 PC.	XPH01CW, XPH01RW
	C20 324207-7	SHAFT	1 PC.	XPH01CW, XPH01RW
	C30 451749-9	HANDLE	1 PC.	XPH01CW, XPH01RW
A05	450128-8	BATTERY COVER	1 PC.	XPH01, XPH01CW
A06	***DC18RC	DC18RC FAST CHARGER	1 PC.	XPH01, XPH01CW, XPH01RW
A07	BL1830	BATTERY BL1830 SET	2 SET	XPH01
	BL1815	BATTERY BL1815 SET		XPH01CW
	BL1820	BATTERY BL1820 SET		XPH01RW



Model XRJ04M/Z Parts List

A = Standard Equipment

O = Circuit Diagram

Item#	Part#	Description	Q'ty	Unit
001	424763-8	PROTECTOR	1	
002	257952-8	RETAINING RING (EXT) 18	1	PC.
003	310662-9	DRIVING SLEEVE	1	
004	256569-4	SHOULDER PIN 5	1	
005	234381-2	COMPRESSION SPRING 6	1	
006	331720-8	GUIDE SLEEVE	1	PC.
007	268094-3	PIN 3	1	PC.
008	256158-5	PIN 3	1	PC.
009	417791-0	DRIVING SLEEVE GUIDE	1	PC.
010	418311-3	SLEEVE	1	PC.
011	345214-7	PUSH PLATE	1	PC.
012	233025-1	COMPRESSION SPRING 2	1	PC.
013	231687-9	TORSION SPRING 17	1	PC.
014	424762-0	RUBBER RING	1	
015	143365-8	SLIDER GUIDE COMPLETE	1	PC.
	C10 213151-2	OIL SEAL 14	1	PC.
	C20 213174-0	X RING 14	1	PC.
016	161376-1	SLIDER	1	
017	310663-7	ROLLER	1	
018	268341-2	PIN 6	1	
019	310663-7	ROLLER	1	
021	922117-8	HEX. SOCKET HEAD BOLT M4X12	2	PC.
022	346936-2	ROD GUIDE R	1	
023	143381-0	GEAR HOUSING R COMPLETE	1	
024	911128-8	PAN HEAD SCREW M4X16	7	PC.
025	256567-8	SHOULDER PIN 6-8	1	
026	922107-1	HEX. SOCKET HEAD BOLT M4X8	1	PC.
027	267491-0	FLAT WASHER 4	1	
028	143377-1	GEAR COMPLETE	1	
029	267490-2	FLAT WASHER 54	1	
030	424764-6	SEAL RING	1	
031	922117-8	HEX. SOCKET HEAD BOLT M4X12	2	PC.
032	346935-4	ROD GUIDE L	1	
033	252157-5	SQUARE NUT M6	1	PC.
034	424768-8	INSULATION COVER	1	
035	161375-3	SHOE	1	
036	265531-8	HEX.SOCKET HEAD BOLT M6X14	1	PC.
037	912112-6	COUNTERSUNK HEAD SCREW M4X10	1	PC.
038	253825-3	FLAT WASHER 6	1	PC.
039	123511-9	GEAR HOUSING L ASSEMBLY	1	
	D10	INC. 37,38		
040	519392-1	ARMATURE ASS'Y 18V	1	
046	911128-8	PAN HEAD SCREW M4X16	2	PC.
047	266292-3	TAPPING SCREW 4X65	2	PC.
048	456207-0	BAFFLE PLATE	1	
049	638571-3	YOKE UNIT	1	PC.
050	456206-2	MOTOR HOUSING	1	
051	266041-8	TAPPING SCREW 5X25	4	PC.
052	456208-8	LOCK OFF BUTTON	1	

053-1	650760-0	SWITCH TG573FSB-9V	1
055	644808-8	TERMINAL	1 PC.
056	183C48-6	HANDLE SET	1
	C10 263005-3	RUBBER PIN 6	2 PC.
	D10	INC. 60	
057	266326-2	TAPPING SCREW 4X18	6 PC.
058	851R03-3	XRJ04 NAME PLATE	1
059	807Y38-4	CAUTION LABEL	1
060	183C48-6	HANDLE SET	1
	C10 263005-3	RUBBER PIN 6	2 PC.
	D10	INC. 56	
061	643829-7	HOLDER CAP	2 PC.
062	CB441	CARBON BRUSH SET CB-441 (195022-4)	1 SET
063	643505-3	BRUSH HOLDER	1
064	643506-1	BRUSH HOLDER	1
065	911011-9	PAN HEAD SCREW M3X10	1 PC.
066	689204-3	HEAT SINK	1
067	123510-1	SLIDER ASSEMBLY	1 PC.
	D10	INC. 1-16	
069	424858-7	FELT 16X16	1 PC.
A01	194502-7	RECIPRO SAW BLADE SET	1 SET
A03	821620-5	PLASTIC TOOL CASE	1 (XRJ04M)
	C10 162271-8	LATCH	2 PC. (XRJ04M)
A05	450128-8	BATTERY COVER	1 PC. (XRJ04M)
A06	***DC18RC	DC18RC FAST CHARGER	1 PC. (XRJ04M)
	D10	COMPO-PARTS	
A07	BL1840B	BATTERY BL1840B SET (197268-8)	2 (XRJ04M)

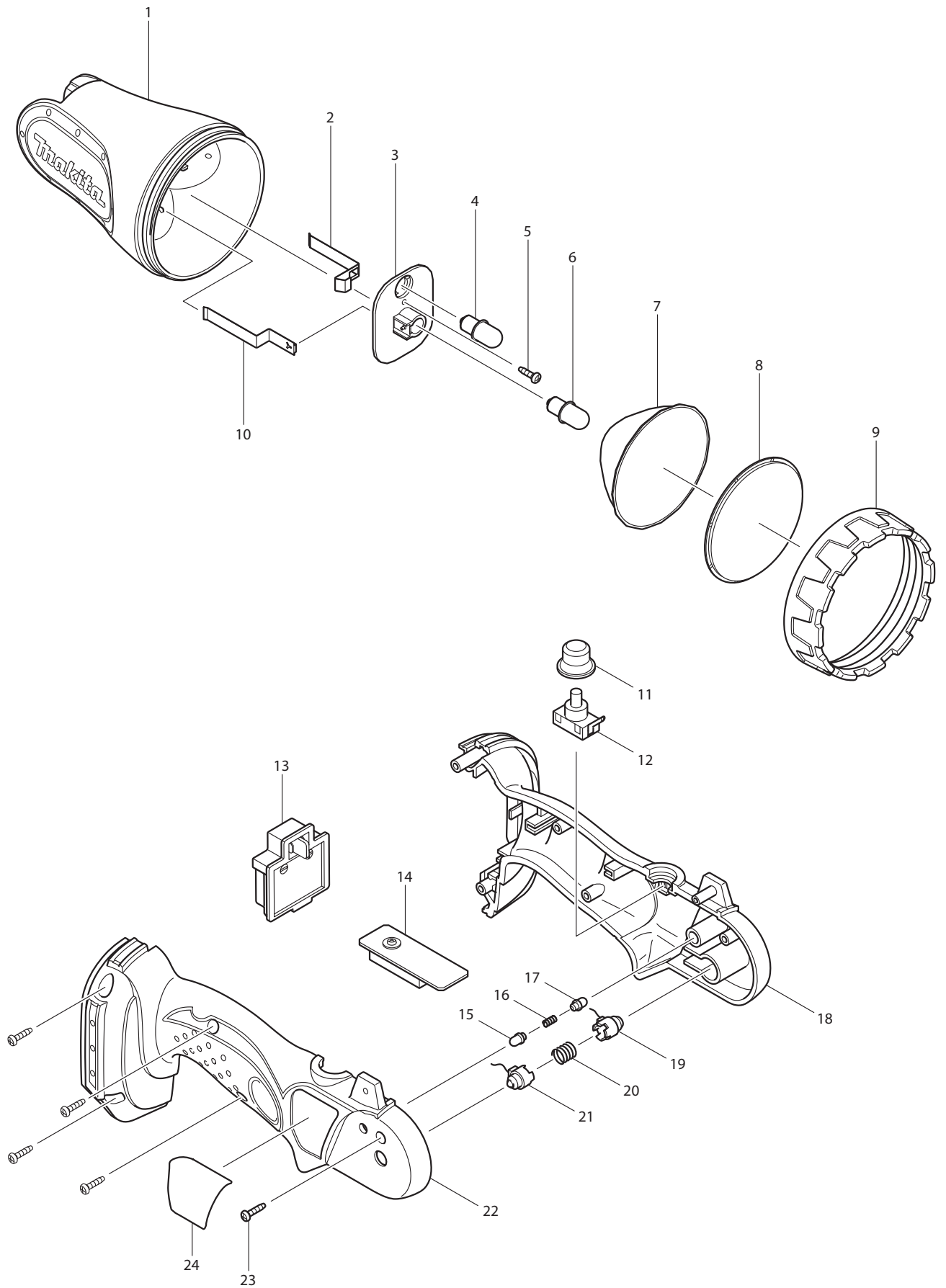
Model XSS02Z Parts List

A = Standard Equipment

O = Circuit Diagram

Item#	Part#	Description	Q'ty	Unit
001	265995-6	TAPPING SCREW 4X18	5	PC.
002	141472-1	HANDLE COVER COMPLETE	1	PC.
003	651976-0	SWITCH TG73BD	1	PC.
004	231469-9	COMPRESSION SPRING 4	1	PC.
005	419664-3	LOCK OFF LEVER	1	PC.
007	231469-9	COMPRESSION SPRING 4	1	PC.
009	644808-8	TERMINAL	1	PC.
010	419665-1	SWITCH LEVER	1	PC.
011	265995-6	TAPPING SCREW 4X18	2	PC.
012	419281-9	REAR COVER	1	PC.
013	643829-7	HOLDER CAP	2	PC.
014	CB441	CARBON BRUSH CB-441 (195022-4)	1	SET
015	911263-2	PAN HEAD SCREW M5X40	3	PC.
016	643897-0	BRUSH HOLDER	1	PC.
017	643898-8	BRUSH HOLDER	1	PC.
018	815L52-8	XSS02 NAME PLATE	1	
019	142597-4	MOTOR HOUSING COMPLETE	1	
	C10	803K44-3 CAUTION LABEL	1	
020	638571-3	YOKE UNIT	1	PC.
021	419285-1	BAFFLE PLATE	1	PC.
022	266292-3	TAPPING SCREW 4X65	2	PC.
023	210045-2	BALL BEARING 627DDW	1	PC.
024	510095-0	ARMATURE ASS'Y 18V	1	PC.
	D10	INC. 23,25,26		
025	241869-5	FAN 55	1	PC.
026	211061-7	BALL BEARING 6000LLB	1	PC.
027	346059-6	SHAFT LOCK	1	PC.
028	233092-6	COMPRESSION SPRING 5	1	PC.
031	142596-6	BLADE CASE COMPLETE	1	
	C10	213434-0 O RING 26	1	PC.
	C20	802U29-6 CAUTION LABEL	1	
033	262049-0	RUBBER RING 6	1	PC.
034	251368-9	+ COUNTERSUNK SCREW M6	1	PC.
035	210028-2	BALL BEARING 606ZZ	1	PC.
036	961052-5	RETAINING RING S-12	1	PC.
037	227156-6	SPUR GEAR 52	1	PC.
038	257173-2	RING 12	1	PC.
039	213512-6	O RING 39	1	PC.
040	265034-2	+ COUNTERSUNK HEAD SCREW M5X16	2	PC.
041	318009-1	BEARING BOX	1	PC.
042	210109-2	BALL BEARING 6001DDW	1	PC.
043	324626-7	SPINDLE	1	PC.
044	285845-9	BEARING RETAINER 19-29	1	PC.
045	345469-4	THICKNESS RING	1	PC.
046	231821-1	TENSION SPRING 3	1	PC.
047	419280-1	SAFETY COVER	1	PC.
048	961152-1	RETAINING RING (EXT) S-34	1	PC.
049	224411-7	INNER FLANGE 35	1	PC.
050	224409-4	OUTER FLANGE 35	1	PC.
051	266133-3	HEX. SOCKET HEAD BOLT M6X20	1	PC.

056	961014-3	STOP RING E-8	1 PC.
057	272229-0	LEVER 40	1 PC.
058	252158-3	HEX.NUT M6	1 PC.
059	941151-9	FLAT WASHER 6	1 PC.
060	345658-1	DEPTH GUIDE	1 PC.
061	252103-8	HEX. LOCK NUT M5-8	1 PC.
062	345657-3	ANGULAR GUIDE	1 PC.
065	265056-2	+ PAN HEAD SCREW M5	1 PC.
066	266194-3	FLAT HEAD SCREW M6X90	1 PC.
067	256480-0	SHOULDER PIN 6-7	1 PC.
068	256480-0	SHOULDER PIN 6-7	1 PC.
069	266264-8	H.S.SET SCREW(FLAT POINT)M5X6	1 PC.
070	251919-8	CAP SQUARE NECK BOLT M6X20	1 PC.
071	231007-7	COMPRESSION SPRING 6	1 PC.
072	251896-4	SCREW M5X20	1 PC.
073	941151-9	FLAT WASHER 6	1 PC.
076	252133-9	HEX. NUT M6	1 PC.
077	961014-3	STOP RING E-8	1 PC.
078	272251-7	LEVER 30	1 PC.
079	266264-8	H.S.SET SCREW(FLAT POINT)M5X6	1 PC.
081	154831-0	BASE COMPLETE	1 PC.
082	266229-0	H.S.SET SCREW(CUP POINT)M5X8	1 PC.
085	253186-1	FLAT WASHER 7	1 PC.
A01	164095-8	GUIDE RULE	1 PC.
A05	783203-8	HEX. WRENCH 5	1 PC.
A08-1	A-96023	T.C.T SAW BLADE 165X15.88X16T	1 PC.
E01	620259-9	CONTROLLER	1



Model DML185/W Parts List

A = Standard Equipment

O = Circuit Diagram

Item#	Part#	Description	Q'ty	Unit
001	GM00001003	CASE HEAD 30105185104	1	PC. DML185
	GM00001120	CASE HEAD	1	PC. DML185W
002	GM00001010	BULB CONTACT PLATE-21201185002	1	PC.
003	GM00001002	PROTECTOR(CONTACT)32009120012	1	PC.
004	A-90261	BULB SET	1	SET
005	GM00001012	SCREW 3X12 PB BLACK ZN	1	PC.
006	A-90261	BULB SET	1	SET
007	GM00000130	REFLECTOR	1	PC.
008	GM00000070	LENS	1	PC.
009	GM00001001	REFLECTOR RETAINER 30110185003	1	PC.
010	GM00001009	BULB CONTACT PLATE (+)	1	PC.
011	GM00001006	RUBBER COVER 39010185004	1	PC.
012	GM00000200	SWITCH	1	PC.
013	GM00001116	BATTERY HOLDER (C2004185006)	1	PC.
014	GM00001029	CIRCUIT BOARD G0318500100	1	PC.
015	GM00001005	KNOCK SHAFT 31011120009	1	PC.
016	GM00000090	COMPRESSION SPRING 4	1	PC.
017	GM00001005	KNOCK SHAFT 31011120009	1	PC.
018	GM00001000	HOUSING SET	1	SET DML185
	GM00001056	HOUSING SET G0318500303	1	SET DML185W
	D10	INC. 22		
019	GM00001004	LEFT CASE SHAFT 3101012003	1	PC.
020	233144-3	COMPRESSION SPRING 7	1	PC.
021	632524-4	PIVOT TERMINAL UNIT R	1	PC.
022	GM00001000	HOUSING SET	1	SET DML185
	GM00001056	HOUSING SET G0318500303	1	SET DML185W
	D10	INC. 18		
023	GM00001013	SCREW 3X14 PB BLACK ZN	5	PC.
024	GM00001454	NAME PLATE	1	PC.
E01	810320-2	CAUTION LABEL	1	PC.