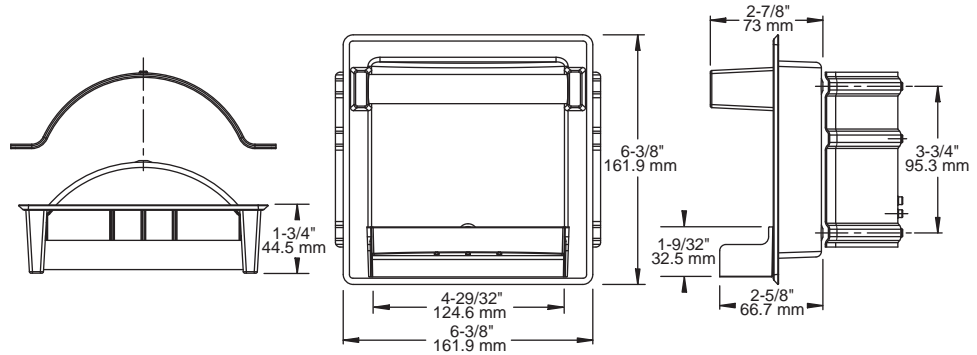


*Futura*<sup>®</sup>

RECESSED SOAP DISH WITH BAR



**MATERIALS:** Recessed Shell - Stamping Brass  
Soap Holder - Plastic  
Posts - Zinc Die Cast  
Bar - Brass Tube, Seamless Drawn Tubing  
Wall Plate - Steel, Nickel Plated

**INSTALLATION:** Cut a square hole 5-1/4" x 5-1/4". If wood blocking available, use included fasteners.  
If wood blocking is not available, use provided 600R wall clamp.

**OPTIONAL FASTENER INFORMATION:**  
Wood blocking is preferable behind all wall surfaces. If wood blocking is not available, the following fasteners are suggested: Tile/Masonry - Plastic or Lead Anchors, Plaster/Drywall - Toggle Bolts.

**SPECIFICATION:** Recessed soap dish with bar shall be model \_\_\_\_\_  
(fill in model number) by Liberty Hardware Manufacturing Corporation.

**FranklinBrass**<sup>®</sup>  
A Liberty Hardware Brand

Liberty Hardware Manufacturing Corporation • 140 Business Park Drive • Winston-Salem, NC 27107 • 800.542.3789 • www.libertyhardware.com

©2009 LHMC, A Masco Company