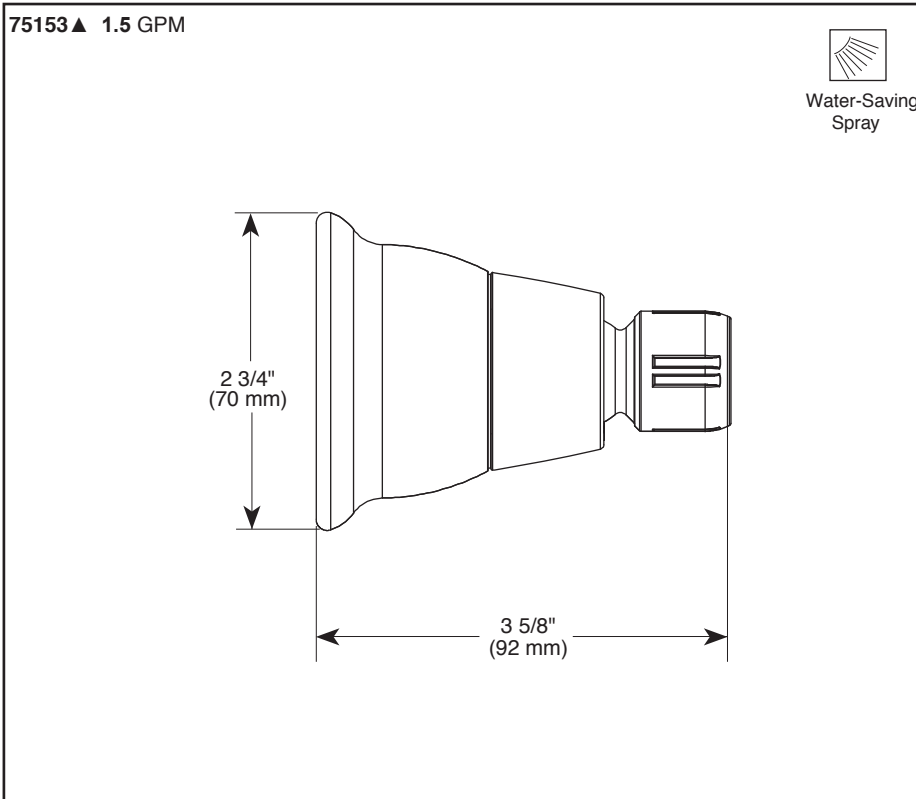


75153▲

Submitted Model No.: _____

Specific Features: _____



▲ Designate proper finish suffix



SHOWERHEAD

■ Economy Water-Saving Showerhead

STANDARD SPECIFICATIONS:

- Standard 1/2" pipe fitting
- Water savings of 40% over standard 2.5 gpm showers.
- Increases the water's velocity to enhance spray performance and maintain temperature.
- Maximum water consumption 1.5 gpm (5.7 L/min) @ 80 psi
- Actual water consumption 1.2 gpm (4.5 L/min) @ 45 psi
- For use with automatic compensating valves rated at 1.0 gpm (3.8 L/min) or less

WARRANTY

- Lifetime limited warranty on parts (other than electronic parts and batteries) and finishes; or for commercial users, for 5 years from the date of purchase.
- 5 year limited warranty on electronic parts (other than batteries); or for commercial users, for 1 year from the date of purchase. No warranty is provided on batteries.



COMPLIES WITH

- ASME A112.18.1/CSA B125.1
- EPA WaterSense®



55 E. 111th Street, Indianapolis, Indiana 46280
 350 South Edgeware Road, St. Thomas, Ontario Canada N5P 4L1
 © 2015 Masco Corporation of Indiana