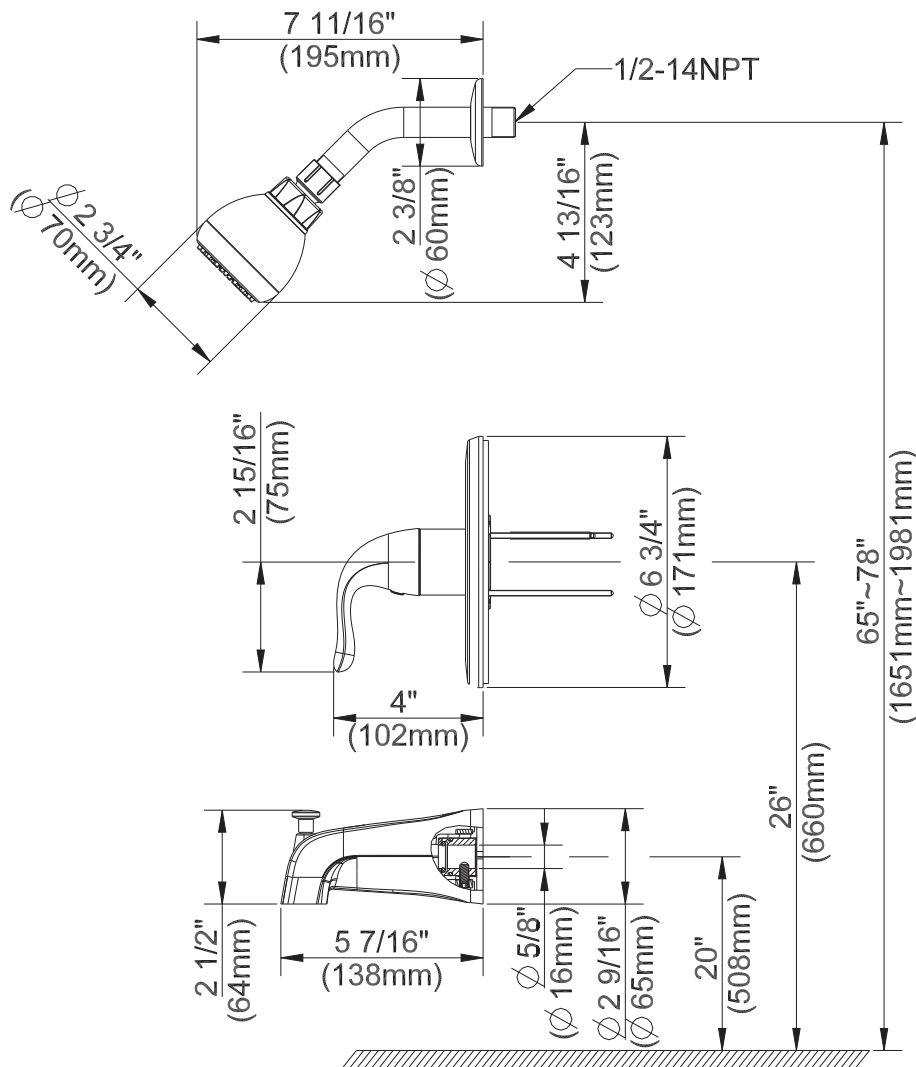


SINGLE HANDLE TRIM KIT

TUB & SHOWER

Features:

- Metal lever handle
- Metal shower arm
- Fits SKU#10572 versitech valve
- Max Flow Rate: 1.75 gpm (6.6 L/min) at 80 psi
- One setting 3" plastic showerhead
- Slip-fit zinc spout with diverter



Impressions Collection



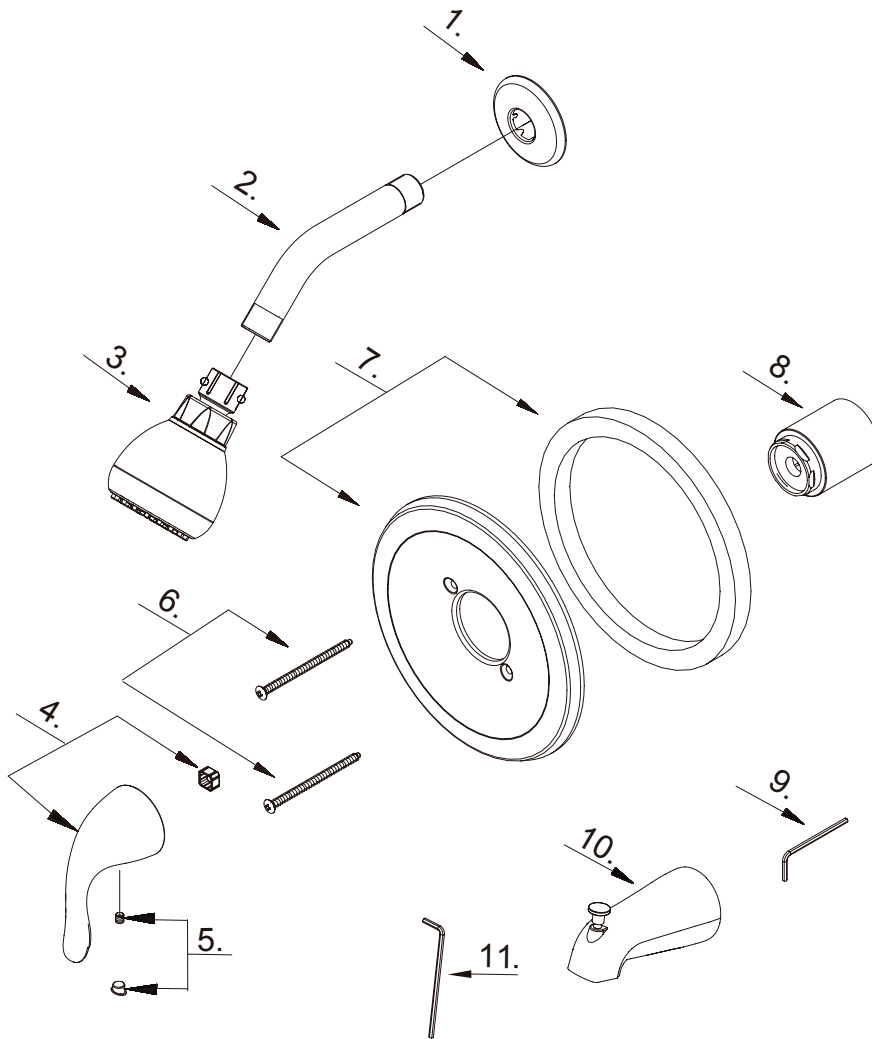
10575
Chrome Finish

10573
Brushed Nickel Finish



SINGLE HANDLE TRIM KIT

TUB & SHOWER



1	Shower Arm Flange	A019001-S
2	Shower Arm	A020002
3	Shower Head	S1213300
4	Metal Handle Assembly	A66E659
5	Index Button	A66D568
6	Screw Set	A608550
7	Escutcheon Assembly	A667915
8	Sleeve	A103322
9	Hex Wrench(H2.5 * 19 mm L * 53 mm L)	A031000NI
10	Spout W/Diverter	A118011
11	Hex Wrench (H3.18 * 20 mm L * 90 mm L)	A031017NI

Impressions Collection



10575
Chrome Finish

10573
Brushed Nickel Finish

