

EASY ASSEMBLY AND OPERATION INSTRUCTIONS

5124195 Wretched Reaper



Please follow the step by step guide and enjoy your Wretched Reaper!

CARE AND STORAGE INSTRUCTIONS

For best performance operate your item indoors. When not in use, store this product in its original packing. Keep away from heat and moisture.

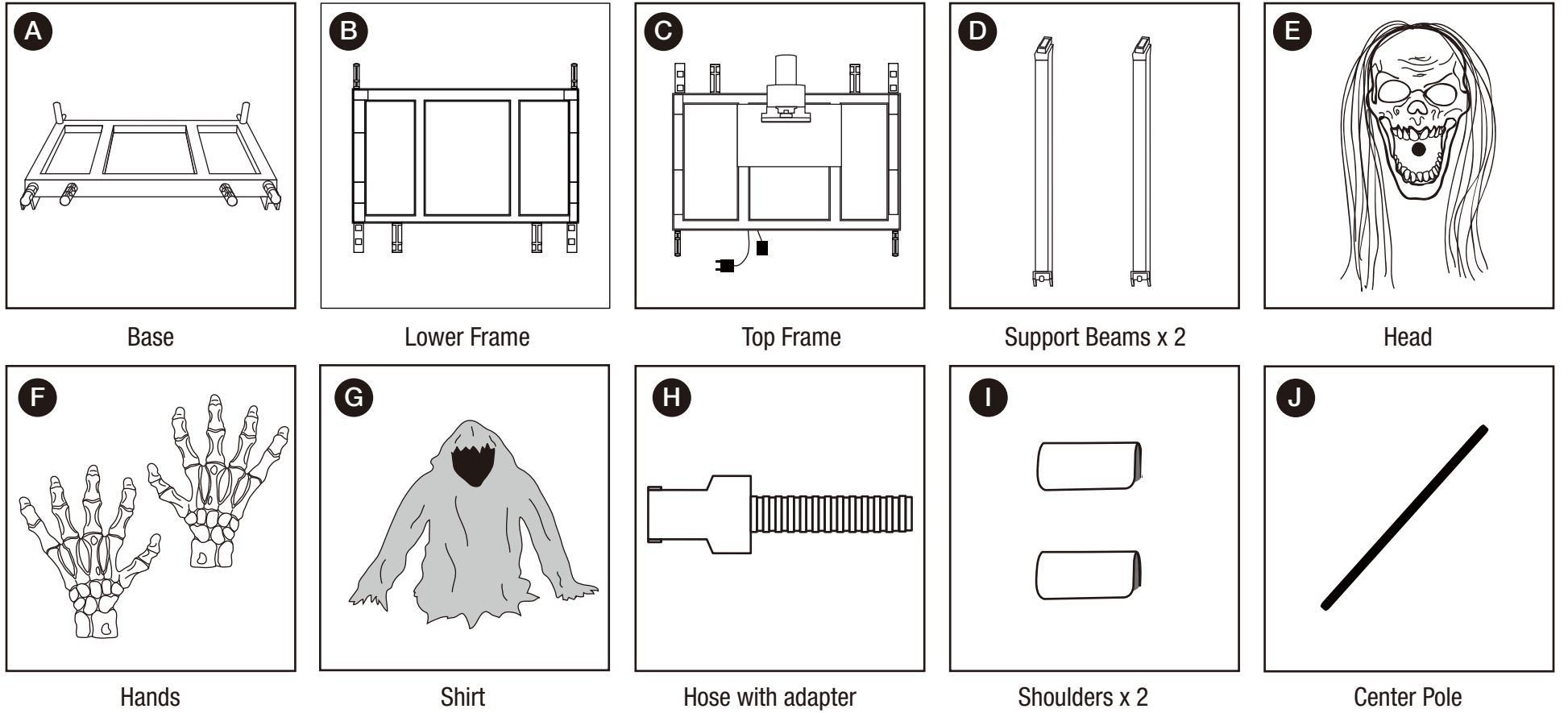
WARNING

This item is not a toy and should be used for decoration only. This item contains small parts that can be a choking hazard. Keep all plastic and wire parts away from children.

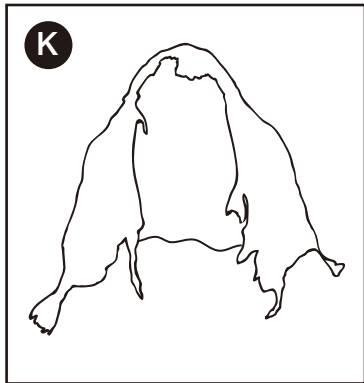
1. Please use the adapter supplied by manufacturer.
2. Please assemble item according to instructions. Connect all wires according to matching color.
3. Children should be supervised by adults. Item should not be grabbed, as it becomes a tipping hazard. Keep all away from the adapter, as it heats up during operation.

Please view all instructions carefully before assembling. Save this instruction sheet for future reference.

Parts:



BEFORE ASSEMBLING, REMOVE ALL THE ABOVE PARTS FROM BOX. IF ANY PART IS MISSING, DO NOT ATTEMPT TO ASSEMBLE THE PRODUCT AND CONTACT CUSTOMER SERVICE FROM 8:30AM TO 5:30PM PST AT 1-877-527-0313.



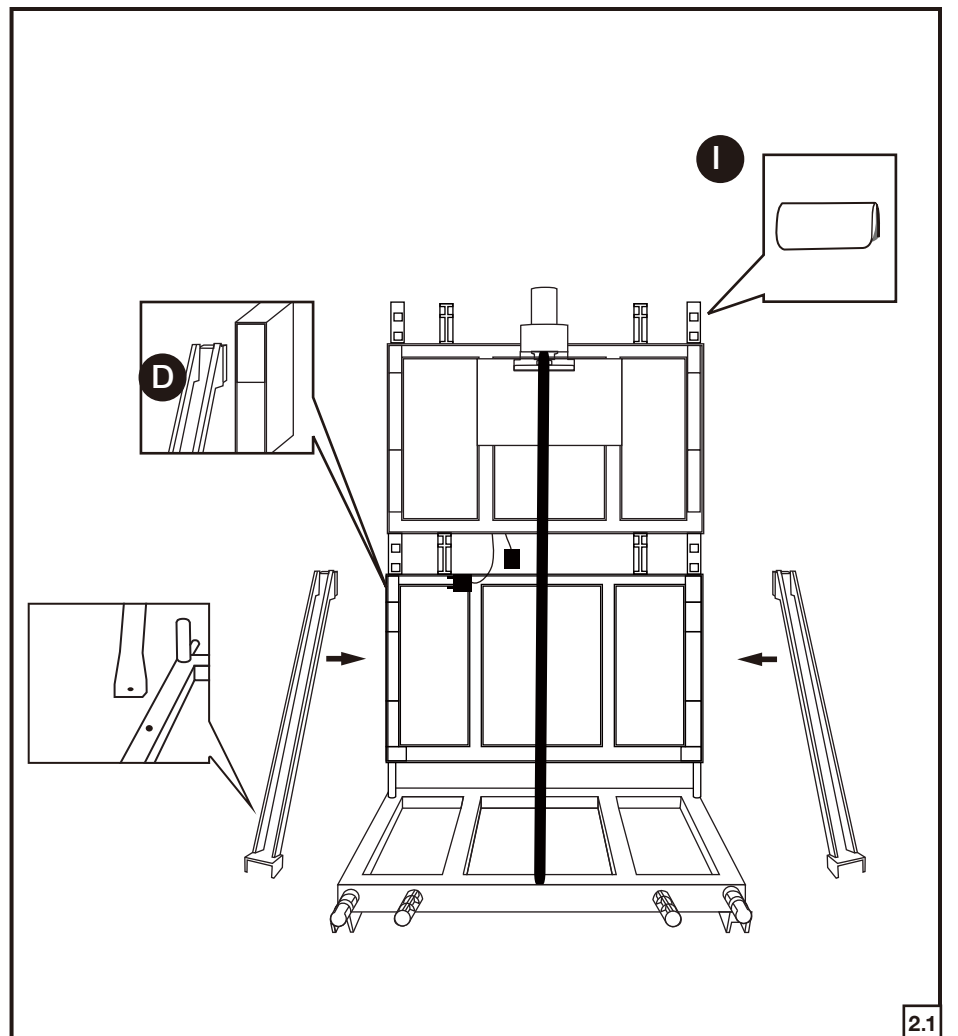
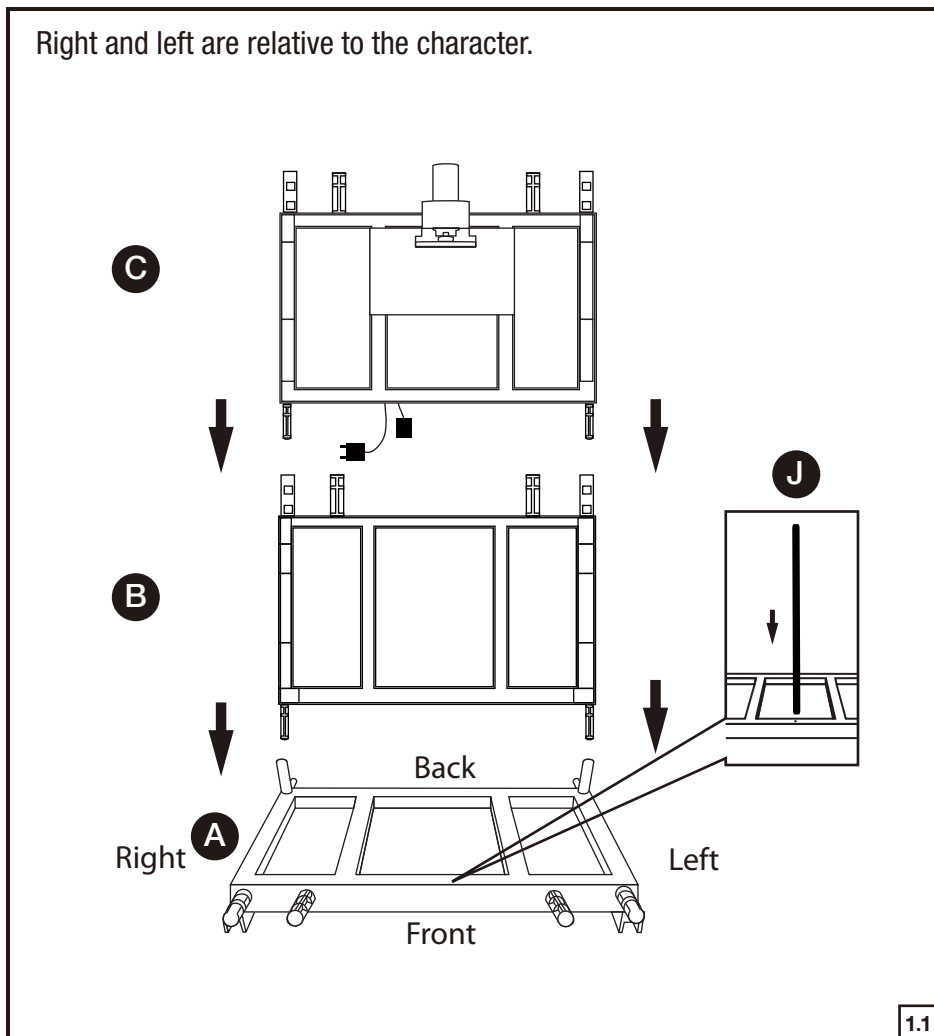
Cloak

Caution: changes or modifications not expressly approved by the party responsible for compliance could void the user's authority to operate the equipment.
 NOTE: This equipment has been tested and found to comply with the limits for a Class B digital device, pursuant to Part 15 of the FCC Rules. These limits are designed to provide reasonable protection against harmful interference in a residential installation. This equipment generates, uses and can radiate radio frequency energy and, if not installed and used in accordance with the instructions, may cause harmful interference to radio communications. However, there is no guarantee that interference will not occur in a particular installation. If this equipment does cause harmful interference to radio or television reception, which can be determined by turning the equipment off and on, the user is encouraged to try to correct the interference by one or more of the following measures; Reorient or relocate the receiving antenna. Increase the separation between the equipment and receiver. Connect the equipment into an outlet on a circuit different from that to which the receiver is connected. Consult the dealer or experienced radio/TV technician for help.

TROUBLE SHOOTING:

- Ensure that the item's adapter is plugged into Function Control Box and in the wall.
- Ensure that the switch on the function control box is on the desired setting.
- Be sure nothing is blocking movement or caught in moving parts.
- Ensure that the floor or surface that the item sits on is flat and level.

ASSEMBLY INSTRUCTIONS:



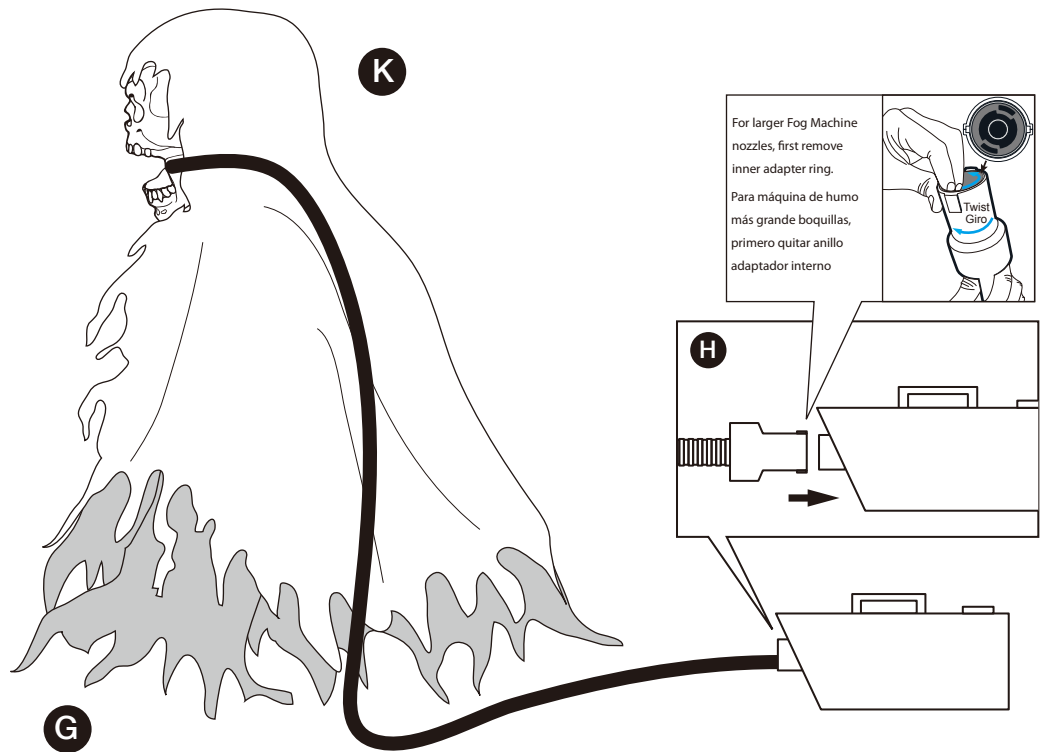
NOTE: The front of the costume opens and closes with hook & loop fastener tabs.



3.1

For use with fog machines (not included), run the connector hose up the inside-back of the costume and over the top of the "head support bracket" and into the back of the head as shown. Guide the small end of the connector hose through the head so that the tip plugs into the mouth hole. Connect the other end to your fog machine nozzle.

NOTE: The connector hose comes with an adaptor ring included that is to be used for most standard 400W or 700W fog machines. Remove the adaptor ring for use with most standard 1000W fog machines.

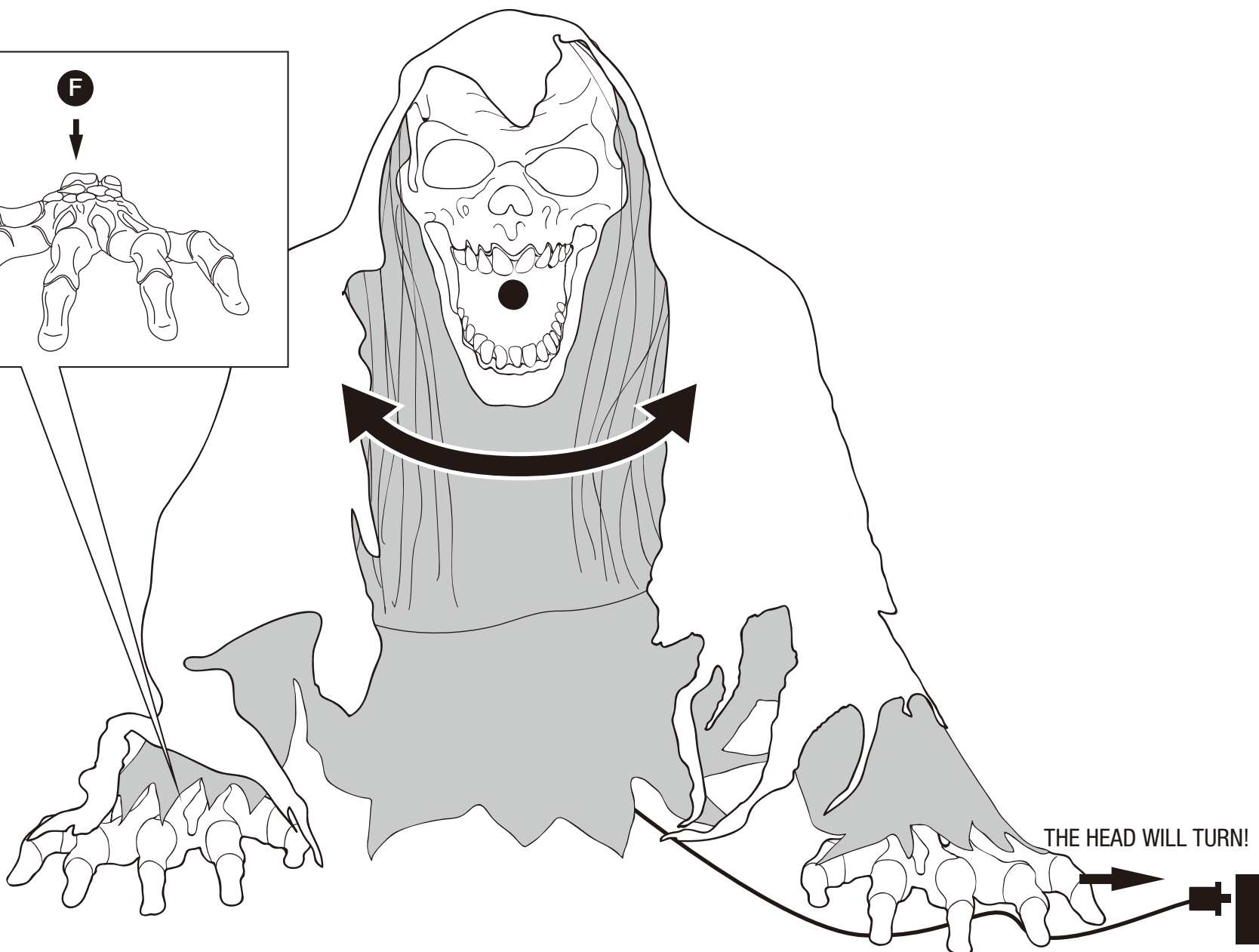
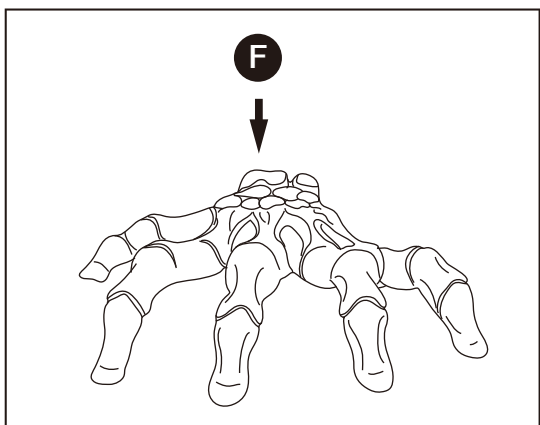


For larger Fog Machine nozzles, first remove inner adapter ring.
Para máquina de humo más grande boquillas, primero quitar anillo adaptador interno



4.1

NOTE: For added realism, stuff the sleeves with balled-up newspaper (not included).
Your Wretched Reaper is now fully assembled. Plug in and turn on to let the fun begin!
Operate the fog machine according to the instructions provided by the manufacturer.



5.1