

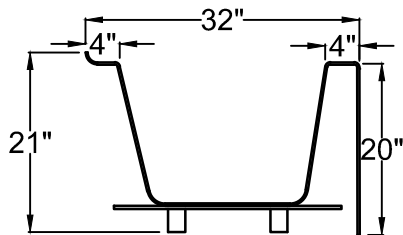
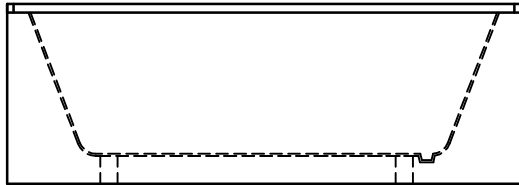
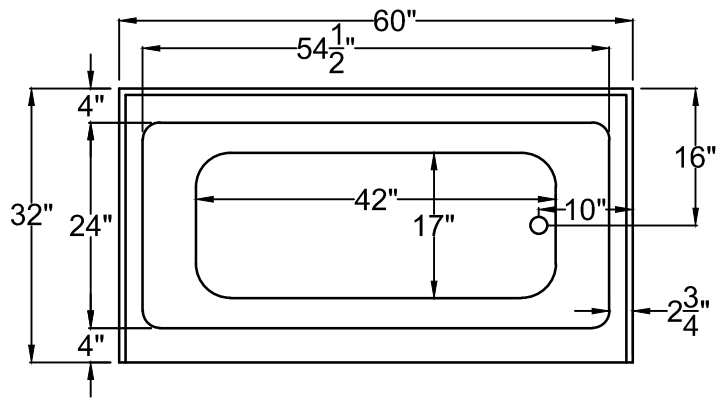
Universal tubs

your doorway to independent bathing

Thank you for choosing Universal Tubs the nationwide manufacturer of walk-in tubs, bathtubs and bathroom fixtures exclusively made for the Home Depot.



For toll-free information or to speak to a knowledgeable representative simply call **1-877-360-4454** or visit us online at **www.UniversalTubs.com** or email us at **info@UniversalTubs.com**.



3260S

32" x 60" x 20"

FOR MAINTENANCE OR REPAIR: The shell can be removed by flipping the tub over, locating and removing the 4 plastic nubs and loosening the securing screws underneath. Then the entire shell can easily be removed.

GENERAL SPECIFICATIONS:

Material Acrylic
Plumbed Weight : 135lbs / 61kg
Soaker Weight : 105lbs / 48kg
Average Fill: 53gal to above jet level

ELECTRICAL SPECIFICATIONS:

Required Electrical Service 110 Volt
 Air Bath or Whirlpool 1-15 amp GFCI
 Whirlpool with Inline Heater 1-20 amp GFCI
 Soaker

PACKAGES AND OPTIONS

Hydrotherapy Package	Package Contents	Part #
Soaker	Soaking bath - no jets, textured bottom	3260SS
Whirlpool	Adjustable pointed-massage jets, 1-hp pump, textured bottom	3260SH
Air Bath	Air jets, Air blower, Textured bottom	3260SA

- OPTIONS
- Colors Available - White
- Quick Ship - reduces lead time - call for availability
- Inline Heater with Pump - Whirlpool
- Lift & Turn Drain Kit -Chrome,Brushed Nickel, White
- Color Match Jets.

IMPORTANT INFORMATION

- Before ordering or installing, please consider future access to equipment.
- Please measure tub on-site before installation
- Jet, pump & blower locations are predetermined and cannot be changed.
- Make certain the floor structure is level and adequate to support installation.
- Building codes require that a panel(s) be constructed to allow ample clearance for plumbing repairs and pump service or removal
- Please note that installer(s) must be certified or warranty will be voided.
- Specifications and configurations are subject to change without notice.
- Measurements are +1/2" and are subject to change without notice.
- Measurements herein supersede all others published prior to publication date shown below.