



# Installation Guide

## Required Tools

- Level
- Plastic Shims (for leveling if necessary)
- Drill
- Tapcon 3/16" x 2 3/4" Stainless Steel Screws Drill Bit for concrete pilot holes
- 1/4" Stainless Steel Washers
- 3/16" Tapcon Drill Bit for concrete pilot holes (typically is provided with screws)
- 1/8" Drill Bit for Pilot Holes)
- Clamps (with rubber pads)
- Carpenter's Square
- Tape Measure

## NOTICE:

It is essential that you use the provided stainless steel screws to attach your cabinetry together. Failure to use specified screws will render warranty null and void.

### INSTALLATION TO EXTERIOR WALL:

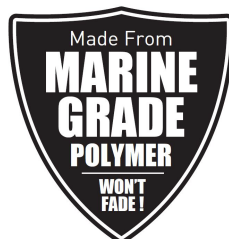
If you are permanently fastening your cabinets to stucco, brick, or concrete block walls, Stainless Steel Tapcon® fasteners are recommended (3/16" x 2 3/4"), sold separately. For base cabinets two fasteners are recommended.

### PRODUCT LIMITATIONS:

WeatherStrong can be installed indoors or out. Temperatures in excess of 140° F may result in warping. In extremely warm climates consider airflow if installing in direct sunlight. Only free-standing grills with adequate space from direct heat are recommended.

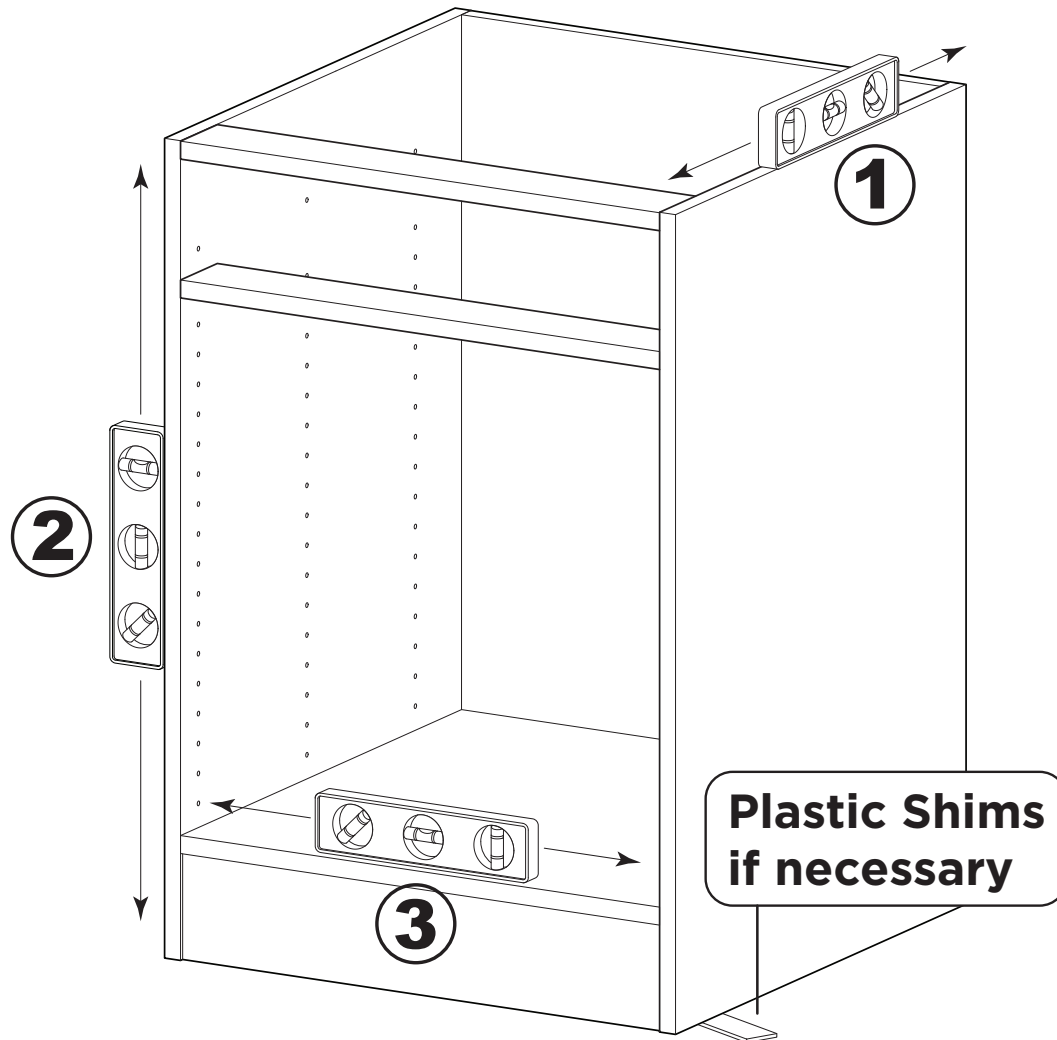
### SALT WATER ENVIRONMENTS:

Oceanfront environments with salt air and sea spray will require regular maintenance and cleaning to prevent rust from forming on the handles, hinges and drawer runners. Clean stainless steel surfaces at least two times a month to keep the chemical reaction from the salt from gaining a foothold on the hardware. With regular cleaning, your cabinets will look like new for many years. To achieve maximum corrosion and stain resistance, the surface of the stainless steel must be kept clean.



# Leveling the Cabinets

Leveling the cabinets is the most important part of installation, to ensure doors align properly and countertop sets evenly. They are to be level and square. Use plastic or polymer shims as needed.



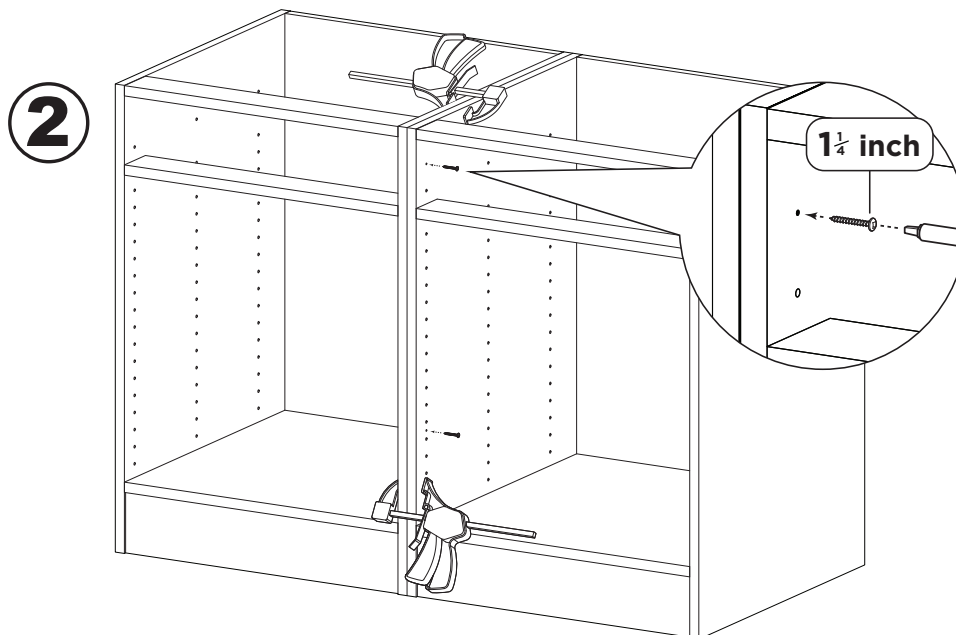
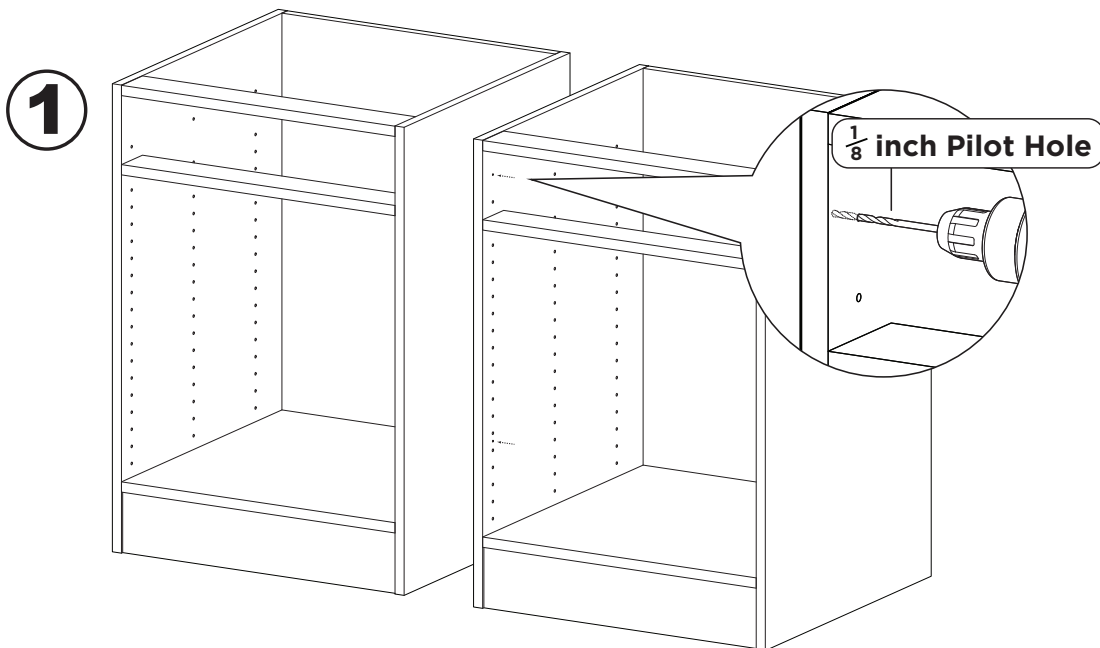
Be sure to level your cabinets in all three directions:

1. Front to Back
2. Vertically
3. Horizontally

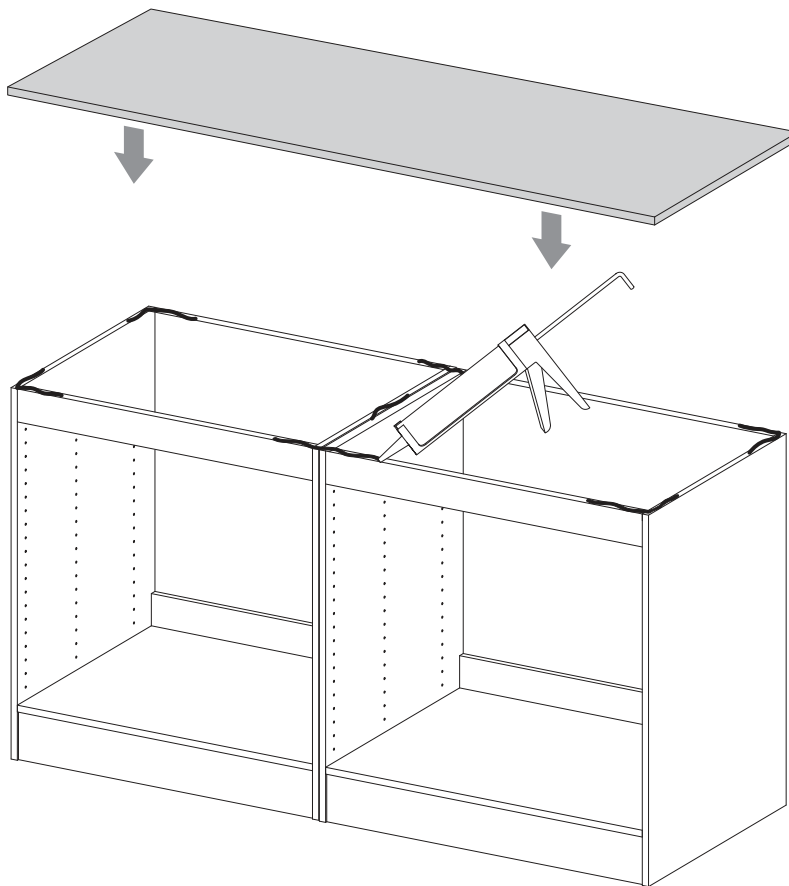
# Fastening Cabinets Together

Secure the cabinets together, along the front edge. This will help reduce gaps between cabinets and maintain alignment

1. To secure cabinets together, use the 1 1/4" stainless steel screw provided. Pre-drill a 1/8" pilot hole in one end panel. Try to choose a location not visible, along the front.
2. Use clamps to hold cabinet panel in alignment. Insert the screw through the pilot hole into the second cabinet end panel - Be careful not to countersink the head.



The WeatherStrong countertop is a compact laminate material. There is no need to mechanically fasten the tops to the cabinets. All that is needed is an outdoor rated adhesive like the Loctite® Power Grab Ultimate Construction Adhesive.



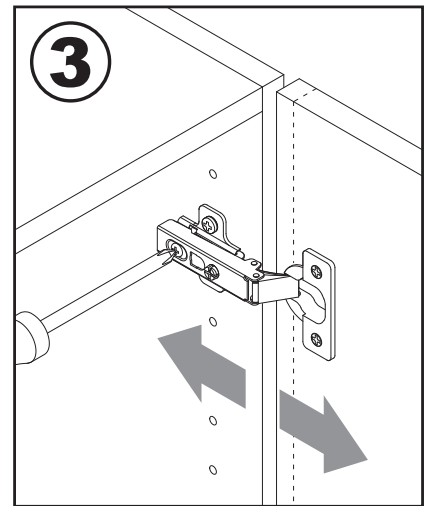
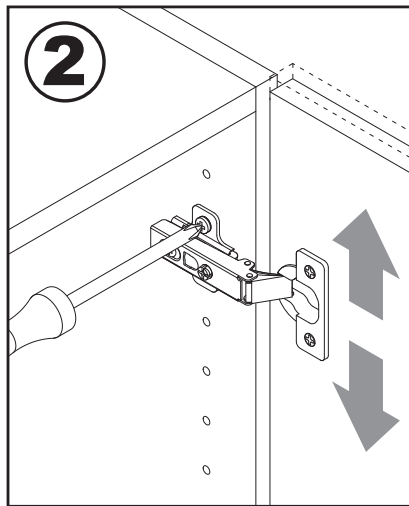
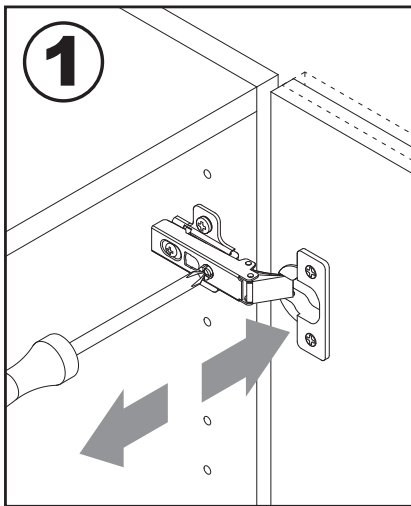
1. Apply small beads of adhesive along the top of the cabinet.
2. Place the countertop direct onto the cabinets, into the adhesive.  
Be sure you adjust the top to get the desired overhang on each end.
3. Once in place, wipe off any excess adhesive and let cure to the manufacturer's instructions.

# Adjusting Door Alignment

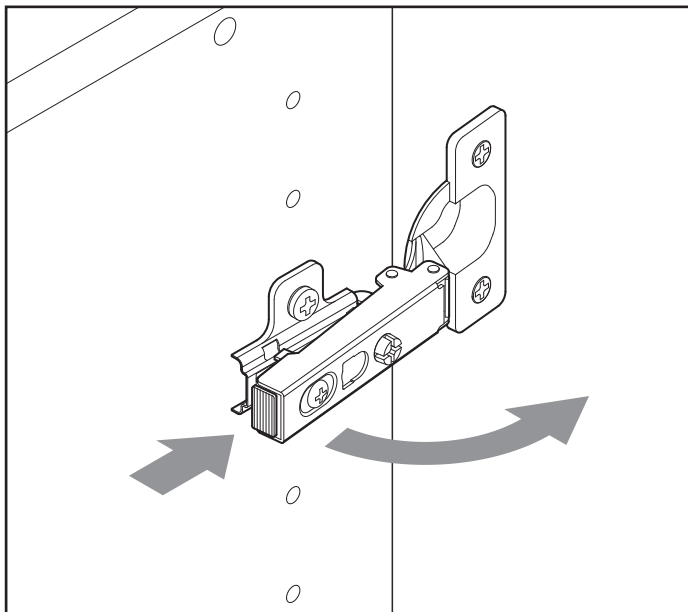
## Door Alignment

WeatherStrong Cabinets feature a 6-way adjustable hinge that will allow you to adjust and align all the doors after installation

1. The center screw face will adjust the door from side to side
2. The top and bottom screws allow adjustment up and down
3. The back screw face will adjust the door in and out



## Removing Doors



Hinges can be removed from the hinge plate by simply pressing in the release button on the end of the hinge, and pulling away from the cabinet. They are re-attached by hooking the hinge to the plate and snapping the pressure release into place.