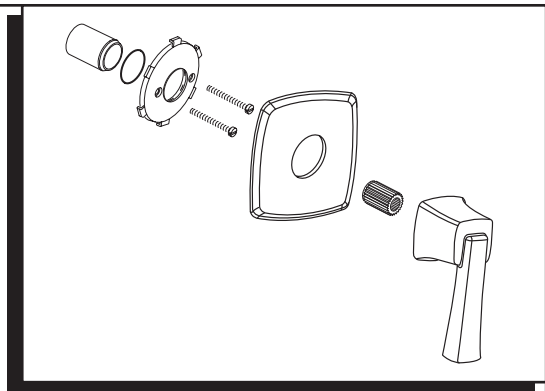


**TOWNSEND®  
ON/OFF VOLUME CONTROL TRIM**

Thank you for selecting American Standard...  
the benchmark of fine quality for over 100 years.

To ensure that your installation proceeds smoothly-please read  
these instructions carefully before you begin.

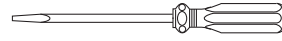


Certified to comply with ANSI A112.18.1M

**RECOMMENDED TOOLS**

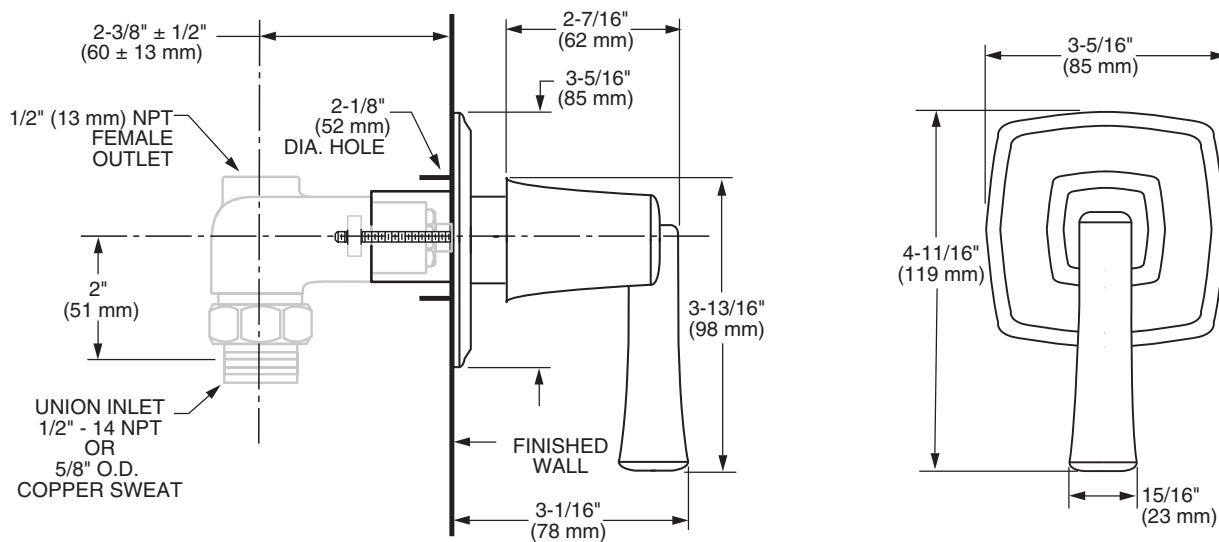


Phillips Screwdriver



Flat Blade Screwdriver

**ROUGHING-IN DIMENSIONS**



**CARE INSTRUCTIONS:**

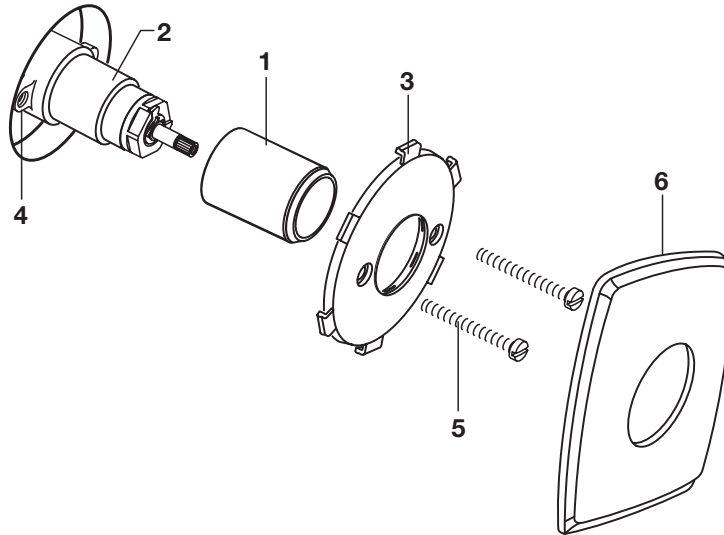
- To keep your new faucet looking new, please follow these simple care instructions:
  - DO:** – Simply rinse the faucet clean with clear water.
  - Dry the faucet with a soft cotton cloth.
  - DO NOT:**
    - Do not use any abrasive cleaners, cloths, or paper towels.
    - Do not use any cleaning agents containing acids, polish abrasives, or harsh cleaners or soaps.
- Regular and routine cleaning will reduce the need for heavy cleaning and polishing. If heavy cleaning is required, the following procedures are recommended:

- Remove as much surface dirt and film using clear water and soft cotton cloth **(as described above)**.
  - Use any of the following to remove tough surface film and build-up:
    - Mild liquid detergents
    - Clear ammonia free liquid glass cleaners
    - Non-acidic, non-abrasive gentle liquid or fully dissolved powder cleansers mixed according to manufacturers directions
    - Non-abrasive liquid polishers
- Once clean, rinse faucet again with clear water to thoroughly remove cleaner or polish and blot dry with a soft cotton cloth.

**Failure to follow these care instructions may damage the Faucet's finish.**

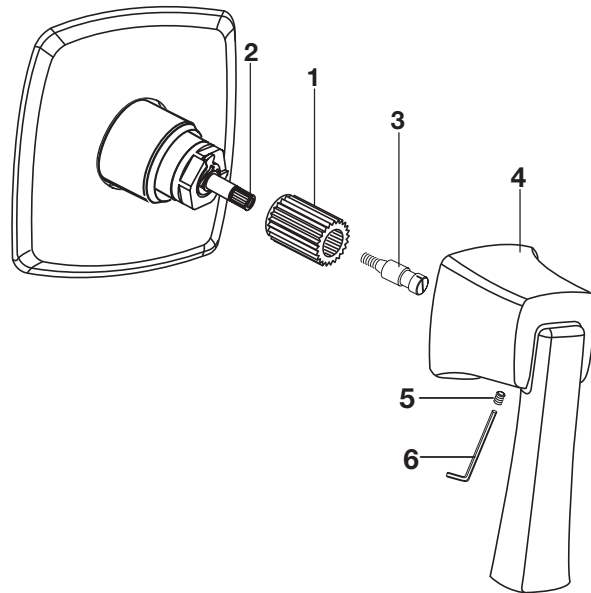
## 1 TRIM INSTALLATION

- Push VALVE COVER (1) over VALVE CARTRIDGE (2) until it is seated against the stop.
- Place ESCUTCHEON HOLDER (3) over VALVE COVER (1). Line up holes in ESCUTCHEON HOLDER (3) with THREADED TABS (4) on VALVE.
- Install MOUNTING SCREWS (5) through ESCUTCHEON HOLDER (3) and into THREADED TABS (4). Tighten SCREWS securely.
- Place ESCUTCHEON (6) over ESCUTCHEON HOLDER (3) and push evenly for a snap fit.



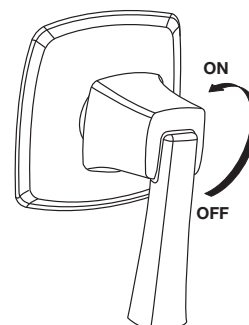
## 2 HANDLE INSTALLATION

- Install HANDLE ADAPTER (1) onto VALVE STEM (2).
- Install HANDLE SCREW (3) and tighten.
- Align HANDLE (4) and push onto HANDLE ADAPTER (1).
- Tighten SET SCREW (5) with HEX WRENCH (6) supplied with trim kit.



## 3 OPERATING THE VALVE

- Turn HANDLE into OFF position.
- Turn on water supplies, and check all connections for leaks.
- Operate HANDLE to flush water lines thoroughly.
- Turn handle OFF.

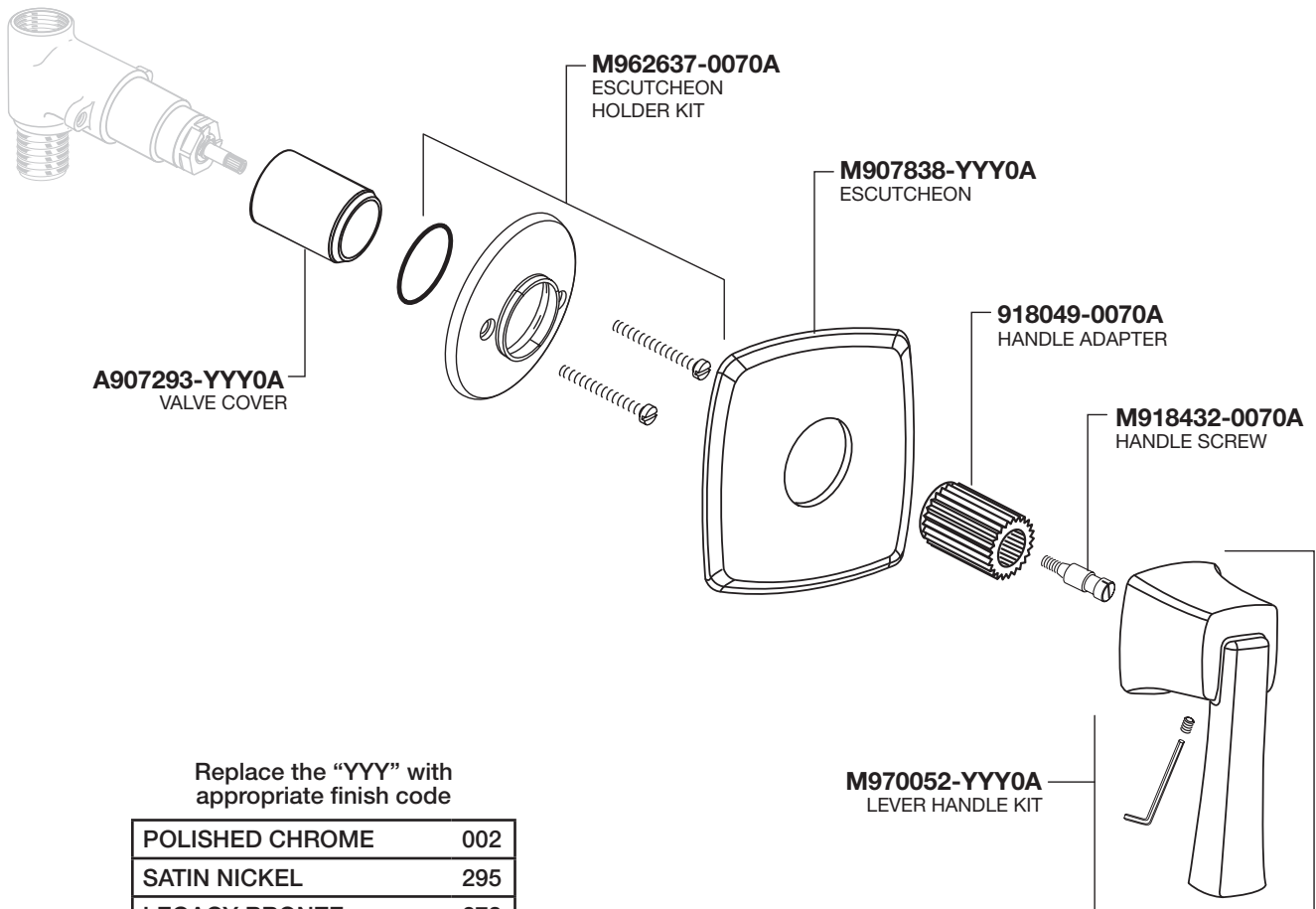


# American Standard

## TOWNSEND® ON/OFF VOLUME CONTROL TRIM

MODEL NUMBER

**T353.700**



Replace the "YYY" with appropriate finish code

POLISHED CHROME	002
SATIN NICKEL	295
LEGACY BRONZE	278
POLISH NICKEL	013

### HOT LINE FOR HELP

For toll-free information and answers to your questions, call:  
1 (800) 442-1902

Mon. - Fri. 8:00 a.m. to 8:00 p.m. EST  
Saturday 10:00 a.m. to 4:00 p.m. EST

IN CANADA 1-800-387-0369  
(TORONTO 1-905-306-1093)

Weekdays 8:00 a.m. to 7:00 p.m. EST

IN MEXICO 01-800-839-1200



PART OF **LIXIL**