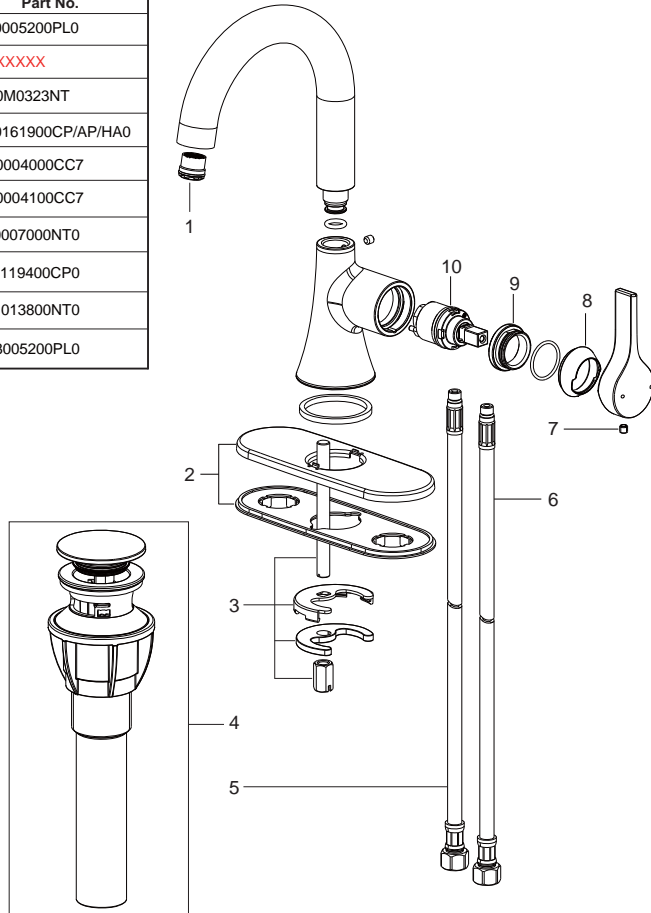


**MFF-VARC1-CP**  
**MFF-VARC1-BN**  
**MFF-VARC1-ORB**  
**MFF-VAR-MB**

No.	Description	Part No.
1	Aerator Assembly	5E0005200PL0
2	Deck Plate Assembly	XXXXXXX
3	Lavatory Spout Mounting Hardware	5Q0M0323NT
4	Push Drain Assembly	5Y0161900CP/AP/HA0
5	Braided Hose(Hot)	5G0004000CC7
6	Braided Hose(Cold)	5G0004100CC7
7	Set Screw	5T0007000NT0
8	Dome	5L0119400CP0
9	Nut	5T1013800NT0
10	Cartridge	5D8005200PL0



# Varenne Collection

Single Handle Lavatory Faucet

# Fontaine

by Italia



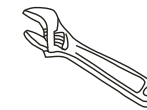
## Installation/Installation/Instalación

**CUSTOMER SERVICE**  
**TOLL-FREE 1-877-482-5422**

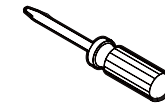
**MFF-VARC1-CP - Polished Chrome**  
**MFF-VARC1-BN - PVD Brushed Nickel**  
**MFF-VARC1-ORB - Oil Rubbed Bronze**  
**MFF-VARC1-MB - Matte Black**



### Tools You Will Need / Outils dont vous aurez besoin / Herramientas necesarias



Adjustable Wrench  
 Clé à molette  
 Llave ajustable



Phillips Screwdriver  
 Tournevis Phillips  
 Destornillador cruciforme

### SAFETY TIPS

- If you use soldering for the installation of the faucet, the seats, cartridges and washers will have to be removed before using flame. Otherwise, warranty will be void on those parts.
- Cover your drain to avoid losing parts.
- 0°C~55°C.

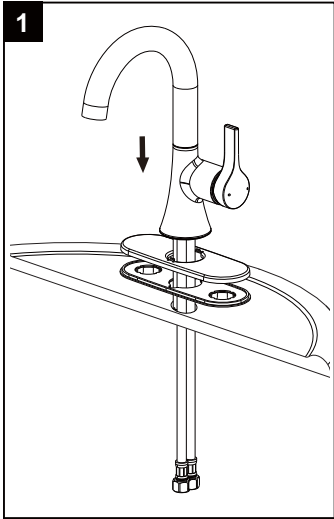
### CONSIGNES DE SÉCURITÉ

- Si vous posez le robinet par brasage, il est essentiel de retirer les sièges, les cartouches et les rondelles avant d'appliquer la flamme, faute de quoi la garantie sur ces pièces sera annulée.
- Couvrez le drain pour ne pas perdre des pièces.
- 0°C~55°C.

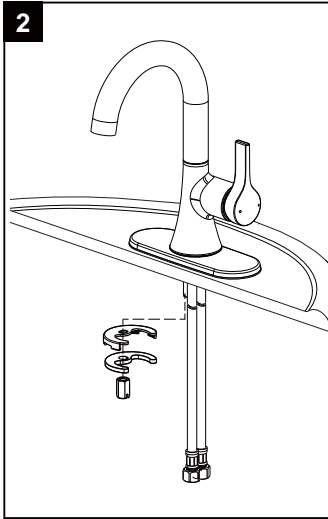
### CONSEJOS DE SEGURIDAD

- En el caso de utilizar soldadura para instalar el grifo, remueva los asientos, cartuchos y arandelas antes de usar la llama. De lo contrario, se anulará la garantía para esos componentes.
- Tape la boca del desagüe para prevenir la pérdida de piezas pequeñas.
- 0°C~55°C.

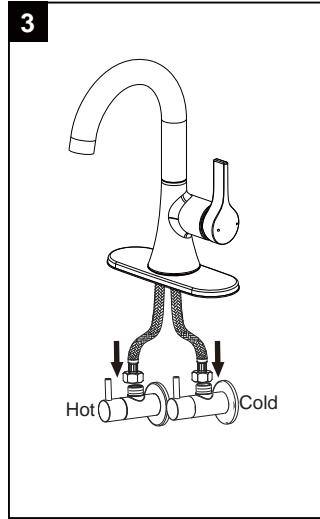
MFF-VARC1-CP  
MFF-VARC1-BN  
MFF-VARC1-ORB  
MFF-VAR-MB



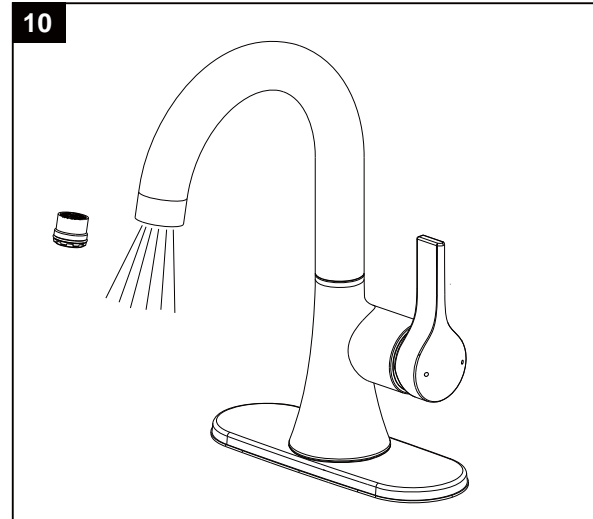
1  
Install the faucet through the mounting hole.



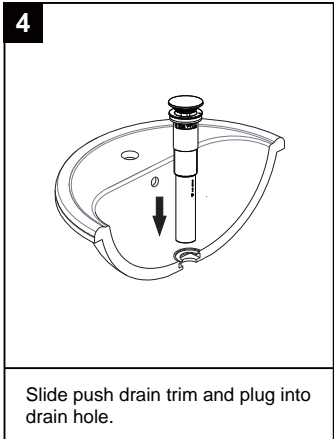
2  
Carefully tighten Spout Mounting hardware to secure faucet.



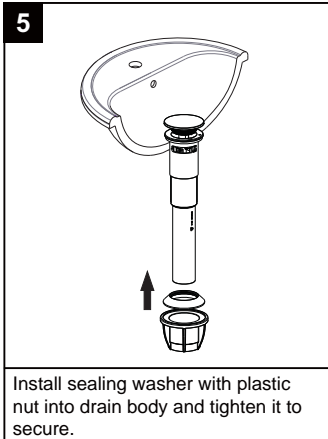
3  
Connect the water supply lines to the hot and cold angle stops.



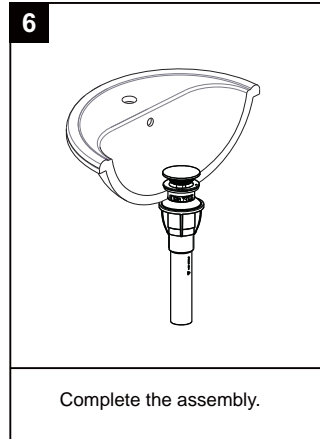
10  
Remove aerator with coin and flush out debris. Reinstall aerator.



4  
Slide push drain trim and plug into drain hole.



5  
Install sealing washer with plastic nut into drain body and tighten it to secure.



6  
Complete the assembly.