

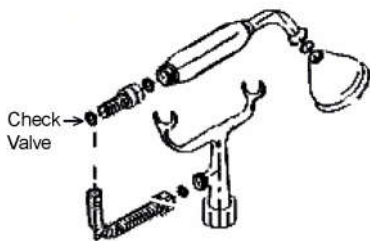
TUB FILLER WITH DIVERTER, HANDSHOWER SHOWERHEAD & RING

Cat. No.

4063



Shower Rod: 48"W x 24"D
 Wall Support: 10"
 Ceiling Support: 30"
 Spout Length: 5-3/4"



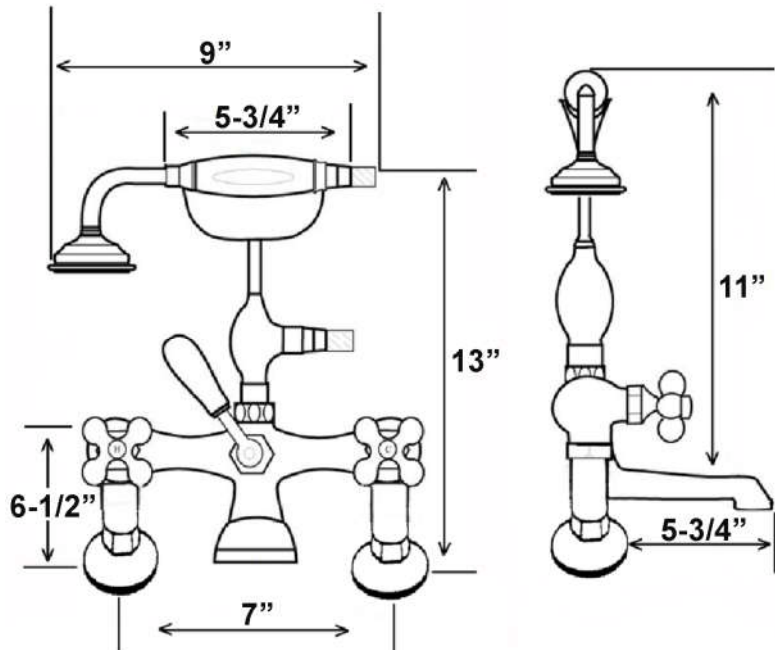
Features:

- ▶ Elephant spout has a flow rate of 3.7 GPM
- ▶ Telephone style handshower with cradle and 59" hose
- ▶ Backflow preventor in handshower
- ▶ Sunflower showerhead has flow rate of 2.44 GPM
- ▶ Includes 62" riser and rectangular shower rod
- ▶ 6" Elbow mounts included
- ▶ 1/4 Turn ceramic disc cartridges
- ▶ 7" Centers for deck mounting installation on acrylic or cast iron tubs
- ▶ Flow rate for handshower is 2.5 GPM
- ▶ Available with porcelain lever (**4063-PL**) or metal cross (**4063-MC**) handles
- ▶ Includes wall support **4195WS**
- ▶ Can be used with freestanding supplies (**#4502-PL**) or straight bath supplies (**#5577**) depending on application

Finishes:

BP Polished Brass
CP Polished Chrome
PN Polished Nickel

SN Brushed Nickel
ORB Oil Rubbed Bronze



Dimensions are nominal and may vary. Dimensions and specifications subject to change without notice.