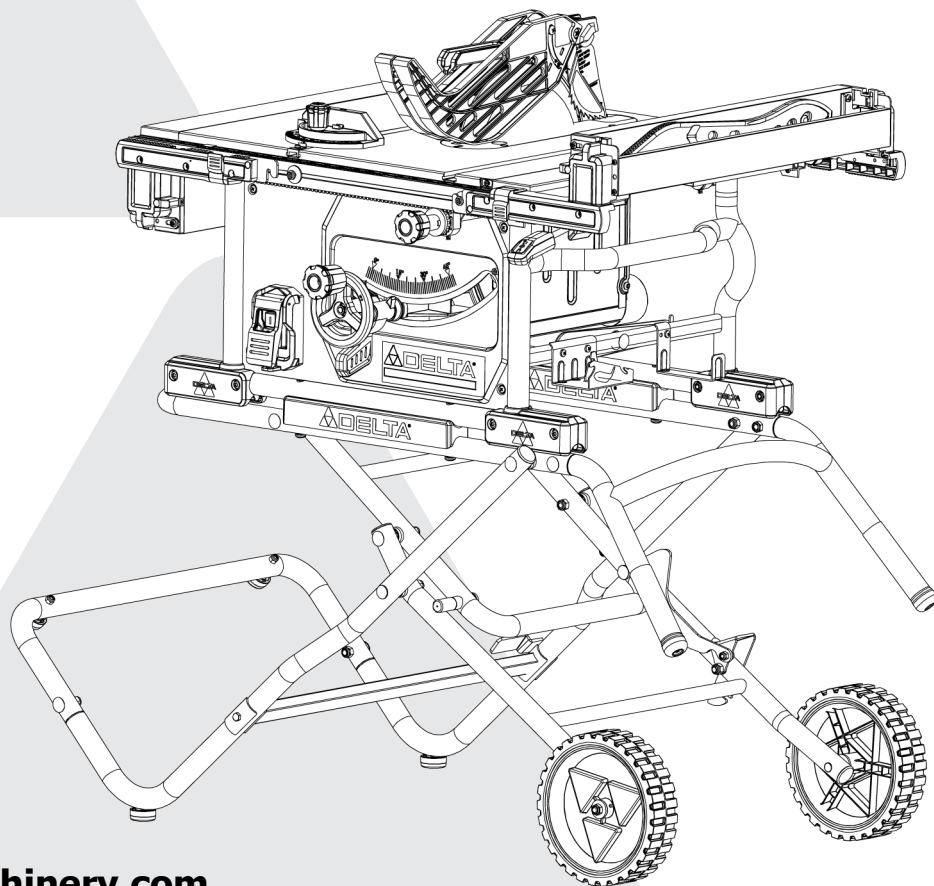


# DELTA<sup>®</sup>

## 10-INCH PORTABLE CONTRACTOR TABLE SAW

SCIE SUR TABLE PORTABLE CONTRACTER DE 10 PO SIERRA DE MESA  
DE CONTRATISTA PORTÁTIL DE 10 PULGADAS



Français (46)  
Español (91)

[www.DeltaMachinery.com](http://www.DeltaMachinery.com)

Instruction Manual  
Manuel d'utilisation  
Manual de instrucciones

# 36-6023

**▲ WARNING:** To reduce risk of serious injury, thoroughly read and comply with all warnings and instructions in this manual and on product.  
KEEP THIS MANUAL NEAR YOUR SAW FOR EASY REFERENCE AND TO INSTRUCT OTHERS



# TABLE OF CONTENTS

<b>FUNCTIONAL DESCRIPTION</b> .....	<b>2</b>	LARGE PANEL CUTS .....	28
<b>IMPORTANT SAFETY INSTRUCTIONS</b> .....	<b>3</b>	NON-THROUGH CUTS.....	28
<b>SAFETY-SYMBOLS-DEFINITIONS</b> .....	<b>3</b>	MAKING A NON-THROUGH CUT .....	28
<b>GENERAL SAFETY RULES</b> .....	<b>4</b>	<b>CUTTING AIDS AND ACCESSORIES</b> .....	<b>29</b>
<b>TABLE SAW SAFETY RULES</b> .....	<b>5</b>	PUSH STICK .....	29
TERMINOLOGY.....	5	AUXILIARY MITER GAUGE FACING .....	30
SAW BLADE GUARD, ANTI-KICKBACK PAWLS AND RIVING		PUSH BLOCK .....	30
KNIFE ASSEMBLY.....	6	FEATHERBOARD .....	31
MAKING A PUSH STICK .....	6	CUT OFF GAUGE .....	31
KICKBACKS.....	6	JIGS.....	31
<b>PROPOSITION 65 WARNING</b> .....	<b>7</b>	<b>MAKING ADJUSTMENTS</b> .....	<b>32</b>
<b>POWER CONNECTIONS</b> .....	<b>8</b>	LEVELING THE THROAT PLATE .....	32
POWER SOURCE.....	8	SQUARING THE BLADE VERTICALLY TO THE TABLE .....	32
EXTENSION CORDS.....	8	ADJUSTING THE BEVEL STOPS .....	33
<b>UNPACKING</b> .....	<b>9</b>	ADJUSTING THE BLADE HEIGHT .....	34
PACKAGE CONTENTS.....	9	CHANGING THE BEVEL.....	34
CONTENTS OF HARDWARE BAGS .....	10	USING THE MITER GAUGE.....	35
<b>ASSEMBLY</b> .....	<b>10</b>	INSTALLING THE FENCE.....	36
ASSEMBLING THE STAND .....	11	USING COLOR CODED SCALES.....	37
ATTACH SAW TO STAND ASSEMBLY .....	15	ADJUSTING THE RAIL SYSTEM .....	40
HEIGHT ADJUSTMENT KNOB INSTALLATION.....	16	<b>RIVING KNIFE POSITION AND ALIGNMENT</b> .....	<b>41</b>
BLADE AND GUARDS .....	16	RIVING KNIFE HEIGHT SETTING.....	41
ATTACH THE BLADE .....	17	RIVING KNIFE ALIGNMENT.....	42
INSERT THROAT PLATE .....	18	<b>MAINTENANCE</b> .....	<b>44</b>
ANTI-KICKBACKS PAWLS AND BLADE GUARD .....	20	<b>TROUBLESHOOTING</b> .....	<b>44</b>
ONBOARD STORAGE .....	22	<b>ACCESSORIES</b> .....	<b>45</b>
<b>OPERATION</b> .....	<b>23</b>	<b>WARRANTY</b> .....	<b>45</b>
TURNING THE SAW ON/OFF .....	24	<b>FRENCH</b> .....	<b>46</b>
TRANSPORTING THE SAW .....	24	<b>SPANISH</b> .....	<b>91</b>
<b>MAKING CUTS</b> .....	<b>25</b>		
RIP CUTS .....	26		
BEVEL RIPPING.....	26		
CROSSCUTTING .....	27		
BEVEL CROSSCUTTING.....	27		
MITER CUTS.....	27		
COMPOUND MITER CUTS .....	28		

## FUNCTIONAL DESCRIPTION

The DELTA® #36-6023 series 10-inch Contractor Table Saw is designed for portability and high quality performance. It includes: basic machine, sturdy tubular steel stand, integral 2 1/2" dust chute, a fence system, T-slot miter gauge, 15-amp motor, on/off switch, cast aluminum table, extension wing, see-through blade guard with anti-kickback fingers, and 10-inch carbide blade.

**This tool can only be used with woodworking saw blades.**

## SPECIFICATIONS

Max depth of cut at 90 degrees:	3-1/2"
Max depth of cut at 45 degrees:	2-1/2"
Max rip to right of blade:	32.5"
Max rip to left of blade:	22"
<b>MOTOR SPECIFICATIONS:</b>	
Amps	15
Voltage	120

**NOTICE:** The manual cover illustrates the current production model. All other illustrations contained in the manual are representative only and may not be exact depictions of the actual labeling or accessories included. They are intended for illustrative purposes only.

## IMPORTANT SAFETY INSTRUCTIONS

**CAREFULLY READ AND FOLLOW ALL WARNINGS AND INSTRUCTIONS ON YOUR PRODUCT AND IN THIS MANUAL. SAVE THIS MANUAL. MAKE SURE ALL USERS ARE FAMILIAR WITH ITS WARNINGS AND INSTRUCTIONS WHEN USING THE TOOL.**

Improper operation, maintenance or modification of tools or equipment could result in serious injury and/or property damage.

# SAFETY LOGOS

This manual contains information that is important for you to know and understand. This information relates to protecting YOUR SAFETY and PREVENTING EQUIPMENT PROBLEMS. To help you recognize this information, we use the symbols below. Please read the manual and pay attention to these sections.








**⚠ DANGER:** Indicates an imminently hazardous situation which, if not avoided, will result in death or serious injury.

**⚠ WARNING:** Indicates a potentially hazardous situation which, if not avoided, could result in death or serious injury.

**⚠ CAUTION:** Indicates a potentially hazardous situation which, if not avoided, may result in minor or moderate injury.

**CAUTION:** Used without the safety alert symbol indicates potentially hazardous situation which, if not avoided, may result in property damage.

Additional information regarding the safe and proper operation of this tool is available from the following sources:  
 Power Tool Institute, 1300 Sumner Avenue, Cleveland, OH 44115-2851 or on-line at [www.powertoolinstitute.com](http://www.powertoolinstitute.com)  
 National Safety Council, 1121 Spring Lake Drive, Itasca, IL 60143-3201  
 American National Standards Institute, 25 West 43rd Street, 4 floor, New York, NY 10036 [www.ansi.org](http://www.ansi.org) - ANSI 01.1 Safety Requirements for Woodworking Machines  
 U.S. Department of Labor regulations [www.osha.gov](http://www.osha.gov)

Some of the following symbols may be used on this tool. Please study them and learn their meaning. Proper interpretation of these symbols will allow you to operate the tool better and safer.		
SYMBOL	NAME	DESIGNATION/EXPLANATION
	Safety Alert	Indicates a potential personal injury hazard.
	Read Operator's Manual	To reduce the risk of injury, user must read and understand operator's manual before using this product.
	Eye Protection	Always wear eye protection with side shields marked to comply with ANSI Z87.1.
	No Hands Symbol	Failure to keep your hands away from the blade will result in serious personal injury.
	Wet Conditions Alert	Do not expose to rain or use in damp locations.
	Pinch Warning	Always watch for movement paying extra attention to potential areas where pinching could occur.
V	Volts	Voltage
A	Amperes	Current
Hz	Hertz	Frequency (cycles per second)
min	Minutes	Time
~	Alternating Current	Type of current
n <sub>0</sub>	No Load Speed	Rotational speed, at no load
.../min	Per Minute	Revolutions, strokes, surface speed, orbits, etc., per minute
A.C	Alternating Current	Type of current
Kg	Kilograms	Unit of weight
RPM	Revolutions Per Minute	Speed of rotation of machine
	Double Insulation	To reduce the risk of electric shock, this equipment has a polarized plug (one blade is wider than the other). This plug will fit in a polarized outlet only one way. If the plug does not fit fully in the outlet, reverse the plug. If it still does not fit, contact a qualified electrician to install the proper outlet. <b>DO NOT</b> change the plug in any way.

# GENERAL POWER TOOL SAFETY WARNINGS

**⚠ WARNING:** Read all safety warnings, instructions, illustrations and specifications provided with this power tool. Failure to follow all instructions listed below may result in electric shock, fire and/or serious injury.

Save all warnings and instructions for future reference.

The term "power tool" in the warnings refers to your mains-operated (corded) power tool or BATTERY-operated (cordless) power tool.

## 1. Work area safety

- a. **Keep work area clean and well lit.** Cluttered or dark areas invite accidents
- b. **Do not operate power tools in explosive atmospheres, such as in the presence of flammable liquids, gases or dust.** Power tools create sparks which may ignite the dust or fumes.
- c. **Keep children and bystanders away while operating a power tool.** Distractions can cause you to lose control.

## 2. Electrical safety



- a. **Power tool plugs must match the outlet. Never modify the plug in any way. Do not use any adapter with earthed (grounded) power tools.** Unmodified plugs and matching outlets will reduce risk of electric shock
- b. **Avoid body contact with earthed or grounded surfaces, such as pipes, radiators, ranges and refrigerators.** There is an increased risk of electric shock if your body is earthed or grounded.
- c. **Do not expose power tools to rain or wet conditions.** Water entering a power tool will increase the risk of electric shock.
- d. **Do not abuse the cord. Never use the cord for carrying, pulling or unplugging the power tool. Keep cord away from heat oil, sharp edges or moving parts.** Damaged or entangled cords increase the risk of electric shock.
- e. **When operating a power tool outdoors, use an extension cord suitable for outdoor use.** Use of a cord suitable for outdoor use reduces the risk of electric shock.
- f. **If operating a power tool in a damp location is unavoidable, use a ground fault circuit interrupter (GFCI) protected supply.** Use of an GFCI reduces the risk of electric shock.

## 3. Personal safety

- a. **Stay alert, watch what you are doing and use common sense when operating a power tool. Do not use a power tool while you are tired or under the influence of drugs, alcohol or medication.** A moment of inattention while operating power tools may result in serious personal injury.
- b. **Use personal protective equipment. Always wear eye protection.** Protective equipment such as dust mask, non-skid safety shoes, hard hat, or hearing protection used for appropriate conditions will reduce personal injuries.
- c. **Prevent unintentional starting. Ensure the switch is in the off-position before connection to power source, picking up, or carrying the tool.** Carrying power tools with your finger on the switch or energising power tools that have the switch on invites accidents.
- d. **Remove any adjusting key or wrench before turning the power tool on.** A wrench or a key left attached to a rotating part of the power tool may result in personal injury.
- e. **Do not overreach. Keep proper footing and balance at all times.** This enables better control of the power tool in unexpected situations
- f. **Dress properly. Do not wear loose clothing or jewelry. Keep your hair, clothing and gloves away from moving parts.** Loose clothes, jewelry or long hair can be caught in moving parts.
- g. **If devices are provided for the connection of dust extraction and collection facilities, ensure these are connected and properly used.** Use of dust collection can reduce dust-related hazards.
- h. **Do not let familiarity gained from frequent use of tools allow you to become complacent and ignore tool safety principles.** A careless action can cause severe injury within a fraction of a second.

## 4. Power tool use and care

- a. **Do not force the power tool. Use the correct power tool for you application.** The correct power tool will do the job better and safer at the rate for which it was designed.
- b. **Do not use the power tool if the switch does not turn it on and off.** Any power tool that cannot be controlled with the switch is dangerous and must be repaired.
- c. **Disconnect the plug from the power source before making any adjustments, changing accessories, or storing power tools.** Such preventive safety measures reduce the risk of starting the power tool accidentally.
- d. **Store idle power tools out of the reach of children and do not allow persons unfamiliar with the power tool or these instructions to operate the power tool.** Power tools are dangerous in the hands of untrained users.
- e. **Maintain power tools and accessories. Check for misalignment or binding of moving parts, breakage of parts and any other condition that may affect the power tool's operation. If damaged, have the power tool repaired before use.** Many accidents are caused by poorly maintained power tools.
- f. **Keep cutting tools sharp and clean.** Properly maintained cutting tools with sharp cutting edges are less likely to bind and are easier to control.
- g. **Use the power tool, accessories and tools bits etc. in accordance with these instructions, taking into account the working conditions and the work to be performed.** Use of the power tool for operations different from those intended could result in a hazardous situation.
- h. **Keep handles and grasping surfaces dry, clean and free from oil and grease.** Slippery handles and grasping surfaces do not allow for safe handling and control of the tool in unexpected situations.

## 5. Service

- a. **Have your power tool serviced by a qualified repair person using only identical replacement parts.** This will ensure that the safety of the power tool is maintained.

# TABLE SAW SAFETY RULES

**⚠ WARNING:** Failure to follow these rules may result in serious personal injury.

**SEE GENERAL POWER TOOL SAFETY SECTION OF THIS MANUAL.** Read entire instruction manual before operating saw. Learning the saw's proper applications, limitations, and specific potential hazards will greatly minimize the possibility of accidents and injury. Make sure all users are familiar with its warnings and instructions before using saw.

**SEE POWER CONNECTION SECTION OF THIS MANUAL** for instructions and warnings regarding power cords and connections.

## TERMINOLOGY

The following terms will be used throughout the manual and you should become familiar with them.

- Through-cut refers to any cut that completely cuts through the workpiece.
- Non-through cut refers to any cut that does not completely cut through the workpiece.
- Push stick refers to a wooden or plastic stick, usually homemade, that is used to push a small workpiece through the saw and keeps the operator's hands clear of the blade.
- Kickback occurs when the saw blade binds in the cut or between the blade and the fence and thrusts the workpiece back toward the operator or lowering the workpiece down to the blade.
- Re-sawing – Flipping material to make a cut the saw is not capable of making in one pass.
- Cove cutting – Also known as coving, cove cutting is an operation where the work is fed at an angle across the blade.
- Freehand refers to cutting without the use of a miter gauge or rip fence or any other means of guiding or holding the workpiece other than the operator's hand.
- Plunge cutting refers to blind cuts in the workpiece made by either raising the blade through the workpiece the workpiece. Accessories for use with your saw are available at extra cost from your local dealer or authorized service center.

**⚠ WARNING:** Failure to follow these rules may result in serious personal injury.

## TABLE SAW SPECIFIC SAFETY RULES

**⚠ WARNING READ ALL SAFETY WARNINGS DESIGNATED BY THE SYMBOL AND ⚠ ALL INSTRUCTIONS.**

### 1. GUARDING RELATED WARNINGS (FOR TABLE SAW, 62841-3-1)

- a. **Keep guards in place. Guards must be in working order and be properly mounted.** A guard that is loose, damaged, or is not functioning correctly must be repaired or replaced.
- b. **Always use saw blade guard, riving knife and anti-kickback device for every through-cutting operation.** For through-cutting operations where the saw blade cuts completely through the thickness of the workpiece, the guard and other safety devices help reduce the risk of injury.
- c. **Immediately reattach the guarding system after completing an operation (such as rabbeting or resawing cuts) which requires removal of the guard, riving knife and/or anti-kickback device.** The guard, riving knife, and anti-kickback device help to reduce the risk of injury.
- d. **Make sure the saw blade is not contacting the guard, riving knife or the workpiece before the switch is turned on.** Inadvertent contact of these items with the saw blade could cause a hazardous condition.
- e. **Adjust the riving knife as described in this instruction manual.** Incorrect spacing, positioning and alignment can make the riving knife ineffective in reducing the likelihood of kickback.
- f. **For the riving knife and anti-kickback device to work, they must be engaged in the workpiece.** The riving knife and anti-kickback device are ineffective when cutting workpieces that are too short to be engaged with the riving knife and anti-kickback device. Under these conditions a kickback cannot be prevented by the riving knife and antikickback device.
- g. **Use the appropriate saw blade for the riving knife.** For the riving knife to function properly, the saw blade diameter must match the appropriate riving knife and the body of the saw blade must be thinner than the thickness of the riving knife and the cutting width of the saw blade must be wider than the thickness of the riving knife.

### 2. CUTTING PROCEDURES WARNINGS

- a. **DANGER: Never place your fingers or hands in the vicinity or in line with the saw blade.** A moment of inattention or a slip could direct your hand towards the saw blade and result in serious personal injury.
- ⚠** b. **Feed the workpiece into the saw blade or cutter only against the direction of rotation.** Feeding the workpiece in the same direction that the saw blade is rotating above the table may result in the workpiece, and your hand, being pulled into the saw blade.
- c. **Never use the mitre gauge to feed the workpiece when ripping and do not use the rip fence as a length stop when cross cutting with the mitre gauge.** Guiding the workpiece with the rip fence and the mitre gauge at the same time increases the likelihood of saw blade binding and kickback.
- d. **When ripping, always apply the workpiece feeding force between the fence and the saw blade.** Use a push stick when the distance between the fence and the saw blade is less than 150 mm, and use a push block when this distance is less than 50 mm. "Work helping" devices will keep your hand at a safe distance from the saw blade.
- e. **Use only the push stick provided by the manufacturer or constructed in accordance with the instructions.** This push stick provides sufficient distance of the hand from the saw blade.
- f. **Never use a damaged or cut push stick.** A damaged push stick may break causing your hand to slip into the saw blade.
- g. **Do not perform any operation "freehand".** Always use either the rip fence or the mitre gauge to position and guide the workpiece. "Freehand" means using your hands to support or guide the workpiece, in lieu of a rip fence or mitre gauge. Freehand sawing leads to misalignment, binding and kickback.
- h. **Never reach around or over a rotating saw blade.** Reaching for a workpiece may lead to accidental contact with the moving saw blade.
- i. **Provide auxiliary workpiece support to the rear and/or sides of the saw table for long and/or wide workpieces to keep them level.** A long and/or wide workpiece has a tendency to pivot on the table's edge, causing loss of control, saw blade binding and kickback.
- j. **Feed workpiece at an even pace. Do not bend or twist the workpiece.** If jamming occurs, turn the tool off immediately, unplug the tool then clear the jam. Jamming the saw blade by the workpiece can cause kickback or stall the motor.

# TABLE SAW SAFETY RULES

- k. **Do not remove pieces of cut-off material while the saw is running.** The material may become trapped between the fence or inside the saw blade guard and the saw blade pulling your fingers into the saw blade. Turn the saw off and wait until the saw blade stops before removing material.
- l. **Use an auxiliary fence in contact with the table top when ripping workpieces less than 2 mm thick.** A thin workpiece may wedge under the rip fence and create a kickback.
- m. **Never Cut Metals, Cement Board or Masonry.** Certain man-made materials have special instructions for cutting on table saws. Follow the manufacturer's recommendations at all times to avoid overheating the saw blade tips as well as melting the plastic. Avoid overheating blade tips by pushing material through blade evenly. Forcing material to fast can cause heating and damage to blade or workpiece. If cutting plastics is permitted, to avoid melting the plastic.

## 3. Kickback causes and related warnings

Kickback is a sudden reaction of the workpiece due to a pinched, jammed saw blade or misaligned line of cut in the workpiece with respect to the saw blade or when a part of the workpiece binds between the saw blade and the rip fence or other fixed object.

- a. **Most frequently during kickback, the workpiece is lifted from the table by the rear portion of the saw blade and is propelled towards the operator.** Kickback is the result of saw misuse and/or incorrect operating procedures or conditions and can be avoided by taking proper precautions as given below.
- b. **Never stand directly in line with the saw blade.** Always position your body on the same side of the saw blade as the fence. Kickback may propel the workpiece at high velocity towards anyone standing in front and in line with the saw blade.
- c. **Never reach over or in back of the saw blade to pull or to support the workpiece.** Accidental contact with the saw blade may occur or kickback may drag your fingers into the saw blade.
- d. **Never hold and press the workpiece that is being cut off against the rotating saw blade.** Pressing the workpiece being cut off against the saw blade will create a binding condition and kickback.
- e. **Align the fence to be parallel with the saw blade.** A misaligned fence will pinch the workpiece against the saw blade and create kickback.
- f. **Use a featherboard to guide the workpiece against the table and fence when making non-through cuts such as rabbeting, or resawing cuts.** A featherboard helps to control the workpiece in the event of a kickback.
- g. **Use extra caution when making a cut into blind areas of assembled workpieces.** The protruding saw blade may cut objects that can cause kickback.
- h. **Support large panels to minimise the risk of saw blade pinching and kickback.** Large panels tend to sag under their own weight. Support(s) must be placed under all portions of the panel overhanging the table top.
- i. **Use extra caution when cutting a workpiece that is twisted, knotted, warped or does not have a straight edge to guide it with a mitre gauge or along the fence.** A warped, knotted, or twisted workpiece is unstable and causes misalignment of the kerf with the saw blade, binding and kickback.
- j. **Never cut more than one workpiece, stacked vertically or horizontally.** The saw blade could pick up one or more pieces and cause kickback.
- k. **When restarting the saw with the saw blade in the workpiece, centre the saw blade in the kerf so that the saw teeth are not engaged in the material.** If the saw blade binds, it may lift up the workpiece and cause kickback when the saw is restarted.
- l. **Keep saw blades clean, sharp, and with sufficient set.** Never use warped saw blades or saw blades with cracked or broken teeth. Sharp and properly set saw blades minimize binding, stalling and kickback.

## 4. Table saw operating procedure warnings

- a. **Turn off the table saw and disconnect the power cord when removing the table insert, changing the saw blade or making adjustments to the riving knife, ant kickback device or saw blade guard, and when the machine is left unattended.** Precautionary measures will avoid accidents.
- b. **Never leave the table saw running unattended.** Turn it off and don't leave the tool until it comes to a complete stop. An unattended running saw is an uncontrolled hazard.
- c. **Locate the table saw in a well-lit and level area where you can maintain good footing and balance.** It should be installed in an area that provides enough room to easily handle the size of your workpiece. Cramped, dark areas, and uneven slippery floors invite accidents.
- d. **Frequently clean and remove sawdust from under the saw table and/or the dust collection device.** Accumulated sawdust is combustible and may self-ignite.
- e. **The table saw must be secured.** A table saw that is not properly secured may move or tip over.
- f. **Remove tools, wood scraps, etc. from the table before the table saw is turned on.** Distraction or a potential jam can be dangerous.
- g. **Always use saw blades with correct size and shape (diamond versus round) of arbor holes.** Saw blades that do not match the mounting hardware of the saw will run off-center, causing loss of control.
- h. **Never use damaged or incorrect saw blade mounting means such as flanges, saw blade washers, bolts or nuts.** These mounting means were specially designed for your saw, for safe operation and optimum performance.
- i. **Never stand on the table saw, do not use it as a stepping stool.** Serious injury could occur if the tool is tipped or if the cutting tool is accidentally contacted.
- j. **Make sure that the saw blade is installed to rotate in the proper direction.** Do not use grinding wheels, wire brushes, or abrasive wheels on a table saw. Improper saw blade installation or use of accessories not recommended may cause serious injury.
- k. **DO NOT REMOVE A WORKPIECE** without first turning off the saw and unplugging it from the power source.

# TABLE SAW SAFETY RULES

## SAW BLADE GUARD, ANTI-KICKBACK PAWLS AND RIVING KNIFE ASSEMBLY

Your table saw is equipped with a blade guard, anti-kickback pawls and riving knife assembly that covers the blade and reduces the possibility of accidental blade contact. The riving knife is a flat plate that fits into the cut made by the saw blade and effectively fights kickback by lessening the tendency of the blade to bind in the cut. Two anti-kickback pawls are located on the sides of the riving knife that allow the wood to pass through the blade in the cutting direction but reduce the possibility of the material being thrown backwards toward the operator. The blade guard and anti-kickback pawls can only be used when making through cuts that sever the wood. When making rabbets and other non-through cuts, the blade guard and anti-kickback pawls must be removed and riving knife lowered to the non-through cut position marked on the riving

### KICKBACKS

Kickbacks can cause serious injury. A kickback occurs when a part of the workpiece binds between the saw blade and the rip fence, or other fixed object, and rises from the table and is thrown toward the operator. Kickbacks can be avoided by attention to the following conditions.

#### HOW TO REDUCE THE RISK OF KICKBACKS AND PROTECT YOURSELF FROM POSSIBLE INJURY:

Be certain that the rip fence is parallel to the saw blade.

**DO NOT** rip by applying the feed force to the section of the workpiece that will become the cut-off (free) piece. Feed force when ripping should always be applied between the saw blade and the fence; use a push stick for narrow work, 6 inches (152 mm) wide or less.

Keep saw blade guard, riving knife and anti-kickback assembly in place and operating properly. The riving knife must be in alignment with the saw blade and the anti-kickback assembly

Use saw blade guard, anti-kickback pawls, and riving knife assembly for every possible operation, including all through-cut sawing.

Push the workpiece past the saw blade prior to releasing control.

**NEVER** rip a workpiece that is twisted or warped, or does not have a straight edge to guide along the fence.

**NEVER** saw a large workpiece that cannot be controlled.

knife.

Use all components of the guarding system (blade guard assembly, riving knife and anti-kickback pawls) for every operation for which they can be used including all through-cutting. If you elect not to use any of these components for a particular application, exercise additional caution regarding control of the workpiece, the use of push sticks, the position of your hands relative to the blade, the use of safety glasses, the means to avoid kickback and all other warnings contained in this manual and on the saw itself. Replace the guarding systems as soon as you return to through-cutting operations. Keep the guard assembly in working order.

must stop a kickback once it has started. Check their action before ripping by pushing the wood under the anti-kickback assembly. The teeth must prevent the wood from being pulled toward the front of the saw. If any part of assembly is not operational, return to the nearest authorized service center for repair.

Plastic and composite materials (like hardboard) may be cut on your saw. However, since these are usually quite hard and slippery, the anti-kickback pawls may not stop a kickback. Therefore, be especially attentive to following proper set up and cutting procedures for ripping.

**NEVER** use the fence as a guide or length stop when crosscutting.

**NEVER** saw a workpiece with loose knots, flaws, nails or other foreign objects.

**NEVER** rip a workpiece shorter than 10 inches (254 mm).

**NEVER** use a dull blade. A dull blade should be replaced or re-sharpened.

## PROPOSITION 65 WARNING:

Dust created by power sanding, sawing, grinding, drilling, and other construction activities may contain chemicals known to the state of California to cause cancer, birth defects or other reproductive harm. Some examples are:

- Lead from lead-based paints
- Crystalline silica from bricks and cement and other masonry products
- Asbestos dust
- Arsenic and chromium from chemically-treated lumber

Your risk from these exposures varies depending on how often you do this type of work. To reduce your exposure to these chemicals: work in a well-ventilated area and work with approved safety equipment, such as dust masks that are specifically designed to filter out microscopic particles.

Avoid prolonged contact with dust from power sanding, sawing, grinding, drilling, and other construction activities. Wear protective clothing and wash exposed areas with soap and water.

If you have any questions or concerns relative to the use of your tool or the contents of this manual, stop using the tool and call DELTA® Customer Care at 1-800-223-7278.

### SAVE THESE INSTRUCTIONS.

Refer to them often and use them to instruct others.  
If tool is loaned to someone, also loan them these instructions.

# POWER CONNECTIONS

## POWER SOURCE

This saw is equipped with a 15-amp motor for use with a 120-volt, 60-HZ alternating current. See instructions below regarding proper connections for your saw as wired.

For voltage, the wiring in a shop is as important as the motor's rating. A line intended only for lights may not be able to properly carry the current needed for a power tool motor; wire that is heavy enough for a short distance may be too light for a greater distance; and a line that can support one power tool may not be able to support two or three. A separate electrical circuit should be used for your machines. This circuit should not be less than #12 wire and should be protected with a 20-amp time lag fuse. If an extension cord is used, use only

3-wire extension cords which have 3-prong grounding-type plugs and matching receptacle which will accept the machine's plug. Before connecting the machine to the power line, make sure the switch (s) is in the "OFF" position and be sure that the electric current is of the same characteristics as indicated on the machine. A substantial voltage drop will cause a loss of power and overheat the motor. It may also damage the machine.

**⚠ WARNING:** DO NOT EXPOSE THE MACHINE TO RAIN OR OPERATE THE MACHINE IN DAMP LOCATIONS.

## EXTENSION CORDS

**⚠ DANGER:** Never use a damaged extension cord. Check extension cords before each use. If damaged, replace immediately. Touching the damaged area could cause electrical shock resulting in serious injury.

**⚠ CAUTION:** Keep the extension cord clear of the work area. Position the cord so it will not get caught on lumber, tools or other obstructions.

Use proper extension cords. Make sure your extension cord is a 3-wire extension cord which has a 3-prong grounding type plug and matching receptacle which will accept the machine's plug, as described in this manual's Grounding Instructions. When using an extension cord, be sure to use one heavy enough to carry the current of the machine. An undersized cord will cause a drop in line voltage, resulting in loss of power and overheating. The table below shows the maximum gauge to use depending on the cord length. If in doubt, use the next heavier gauge. The smaller the gauge number, the heavier the cord. Only round, jacketed cords listed by Underwriter's Laboratories (UL) should be used.

MINIMUM GAUGE EXTENSION CORD RECOMMENDED SIZES FOR USE WITH STATIONARY ELECTRIC MACHINES			
Ampere Rating	Volts	Total Length of Cord in Feet	Gauge of Extension Cord
0-6	240	up to 50	18 AWG
0-6	240	50-100	16 AWG
0-6	240	100-200	16 AWG
0-6	240	200-300	14 AWG
6-10	240	up to 50	18 AWG
6-10	240	50-100	16 AWG
6-10	240	100-200	14 AWG
6-10	240	200-300	12 AWG
10-12	240	up to 50	16 AWG
10-12	240	50-100	16 AWG
10-12	240	100-200	14 AWG
10-12	240	200-300	12 AWG
12-16	240	up to 50	14 AWG
12-16	240	50-100	12 AWG

MINIMUM GAUGE EXTENSION CORD RECOMMENDED SIZES FOR USE WITH STATIONARY ELECTRIC MACHINES			
Ampere Rating	Volts	Total Length of Cord in Feet	Gauge of Extension Cord
0-6	120	up to 25	18 AWG
0-6	120	25-50	16 AWG
0-6	120	50-100	16 AWG
0-6	120	100-150	14 AWG
6-10	120	up to 25	18 AWG
6-10	120	25-50	16 AWG
6-10	120	50-100	14 AWG
6-10	120	100-150	12 AWG
10-12	120	up to 25	16 AWG
10-12	120	25-50	16 AWG
10-12	120	50-100	14 AWG
10-12	120	100-150	12 AWG
12-16	120	up to 25	14 AWG
12-16	120	25-50	12 AWG
12-16	120	GREATER THAN 50 FEET	NOT RECOMMENDED



# UNPACKING

- The machine is heavy, two people are required to unpack and lift.
- Use a safety strap to avoid tip over when lifting machine.
- Prior to tool assembly and use, read this manual thoroughly to familiarize yourself with proper assembly, maintenance and safety procedures.

Check shipping carton and machine for damage before unpacking. Carefully remove components in top foam layer. Remove the top layer of foam then remove all components in the bottom layer of foam. Lay out all parts on a piece of cardboard or other clean, flat surface. Two or more people are needed to lift the saw out of the carton. Always check for and remove protective shipping materials around motors and moving parts. Do not discard shipping carton and packing materials until you have carefully inspected the contents, assembled the machine and are satisfied that it operates correctly.

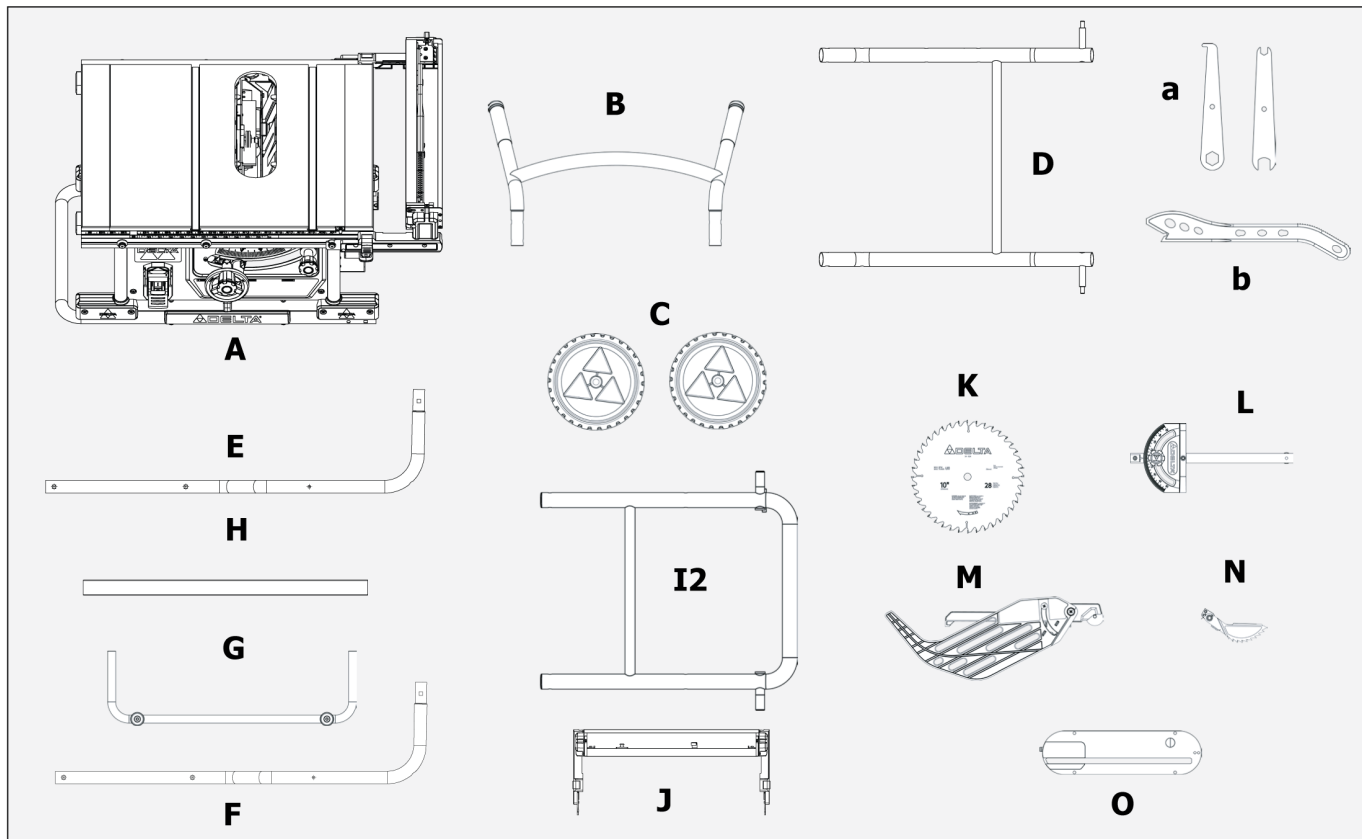
Compare package contents to Component Parts List and Hardware Package List prior to assembly to make sure all items are present. Carefully inspect parts to make sure no damage occurred during shipping. If any parts are missing, damaged or pre-assembled, do not assemble. Instead, call DELTA® Customer Care at 1-800-223-7278 for assistance.

After assembly remove any protective materials and coatings from all of the parts and the table saw. The protective coatings can be removed by spraying WD-40® on them and wiping them off with a soft cloth. This may need to be redone several times before all of the protective coatings are removed completely.

After cleaning, apply a good quality paste wax to any unpainted cast iron surfaces. Make sure to buff out the wax before assembly.

## PACKAGE CONTENTS DESCRIPTION (QTY)

- |                                |                                |  |
|--------------------------------|--------------------------------|--|
| A. Saw                         | H. Cross Connect Assembly      | N. Anti-Kickback Pawls   |
| B. Stand Handle                | I2. Upper Stand Assembly       | O. Throat Plate  |
| C. Wheels                      | J. Fence                       | The following items can be found in their respective storage areas located on the saw: |
| D. Pedal Assembly              | K. 10 in. Carbide Tipped Blade | a. Blade wrenches (2)  |
| E. Right Support Rod           | L. Miter Gauge                 | b. Push Stick  |
| F. Left Support Rod            | M. Blade Guard Assembly        |  |
| G. Support Rod Connection Tube |                                |  |

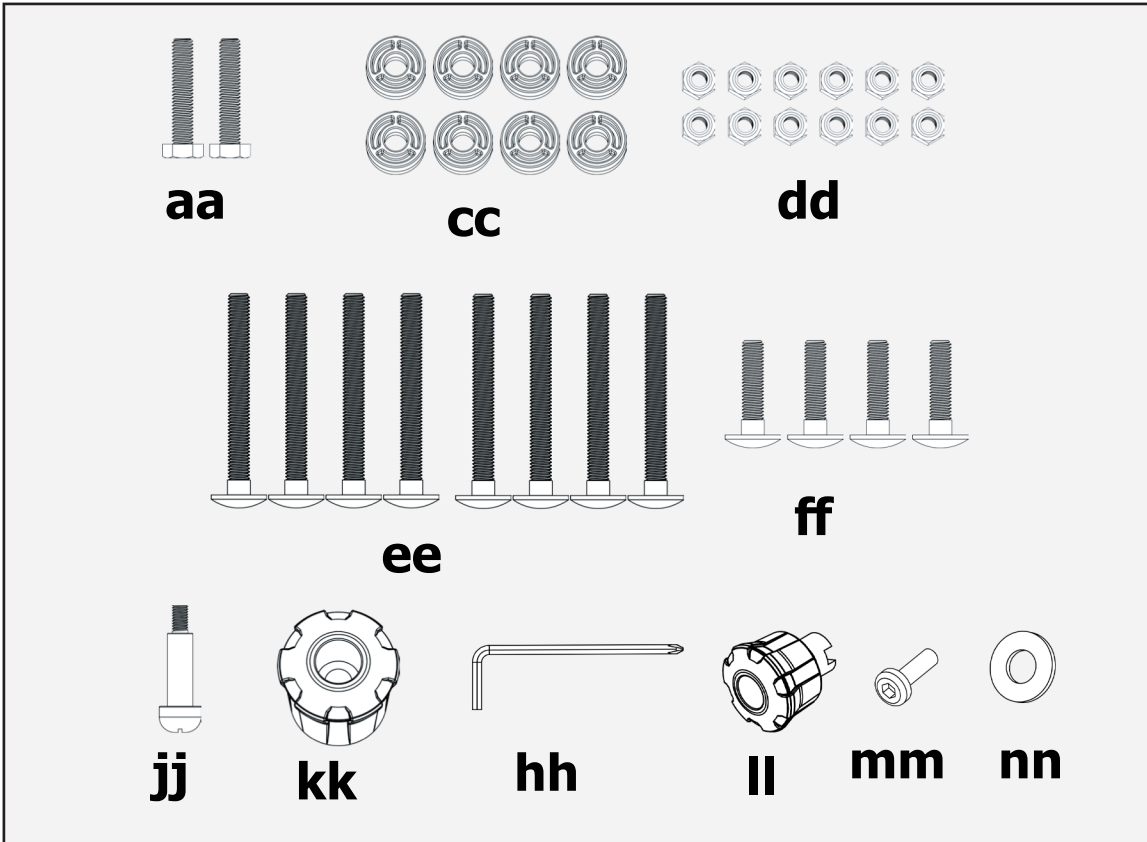


# UNPACKING

## CONTENTS OF HARDWARE BAGS

- aa. M6 x 50 Hex Bolt (2)
- cc. Plastic Spacer (8)
- dd. M8 Locknut (12)
- ee. M8 x 75 Carriage Screw (8)
- ff. M8 x 35 Carriage Screw (4)
- hh. 4mm Allen Wrench (1)

- jj. Wheel Handle Shoulder Screw (1)
- kk. Height Adjustment Wheel Knob
- ll. Rack & pinion Knob
- mm. M6X20L Hex Socket Round Head Screw (1)
- nn. Flat washer 6X14X1T



To measure fastener length, refer to page 7 of Parts List.

# ASSEMBLY

### ⚠ CAUTION:

- Do not lift saw without help. Hold it close to your body while lifting. Keep knees bent and lift with your legs, not your back.
- Fully assemble saw with stand prior to use.
- Stand assembly is an integral and necessary part of the support structure for this saw.
- Do not modify saw, or create accessories not recommended for use with this saw.
- Make sure power switch is in "OFF" position before connecting to power supply. Do not connect to power supply until assembly is complete.

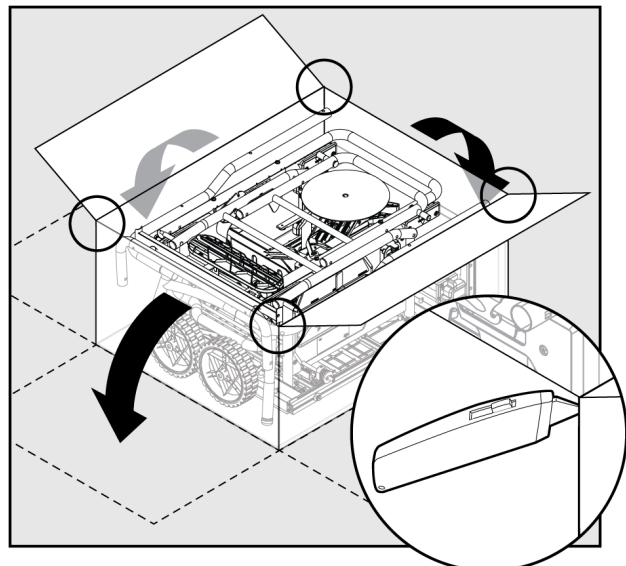
### ⚠ CAUTION:

- Avoid contact with blade teeth. Keep blade stored or lowered when possible.

## UNPACKING

1. Cut sides of box at all four corners.

**IMPORTANT:** Before assembly, separate upper and lower packing trays. Leave base section in lower tray while completing steps for stand assembly.



# ASSEMBLY

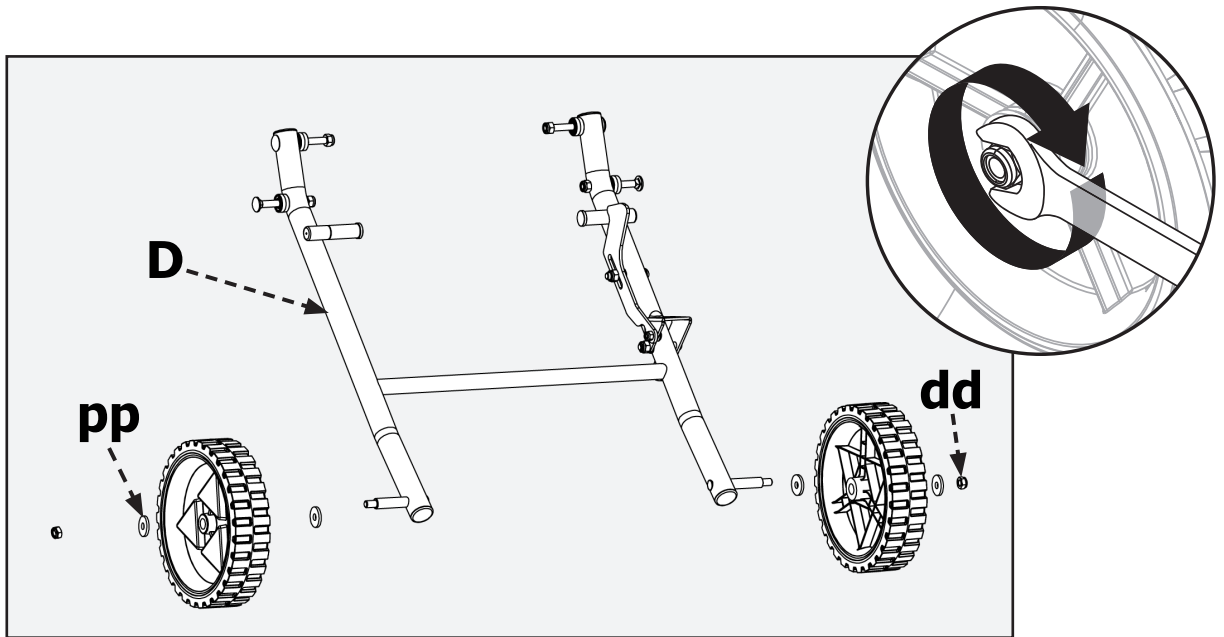


FIGURE 1

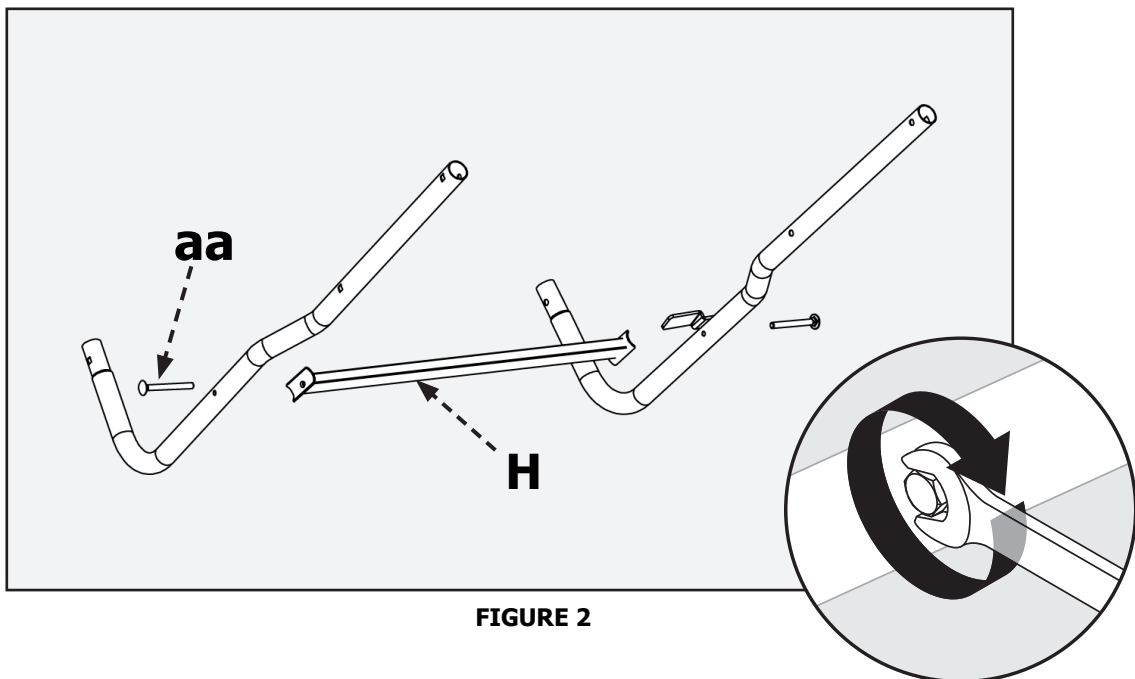


FIGURE 2

## ASSEMBLING THE STAND

First remove washers (pp) and nuts (dd) from lower right leg assembly, then attach wheels (C) to lower right leg assembly (D) with washers (pp) and nut (dd). Check orientation of wheels and if wheels rub against frame, reverse orientation. Set wheel assembly aside for later use.

Attach leg cross piece (H) to left support rod (F) and right support rod (E) with M6 x 50 bolts (aa).

# ASSEMBLY

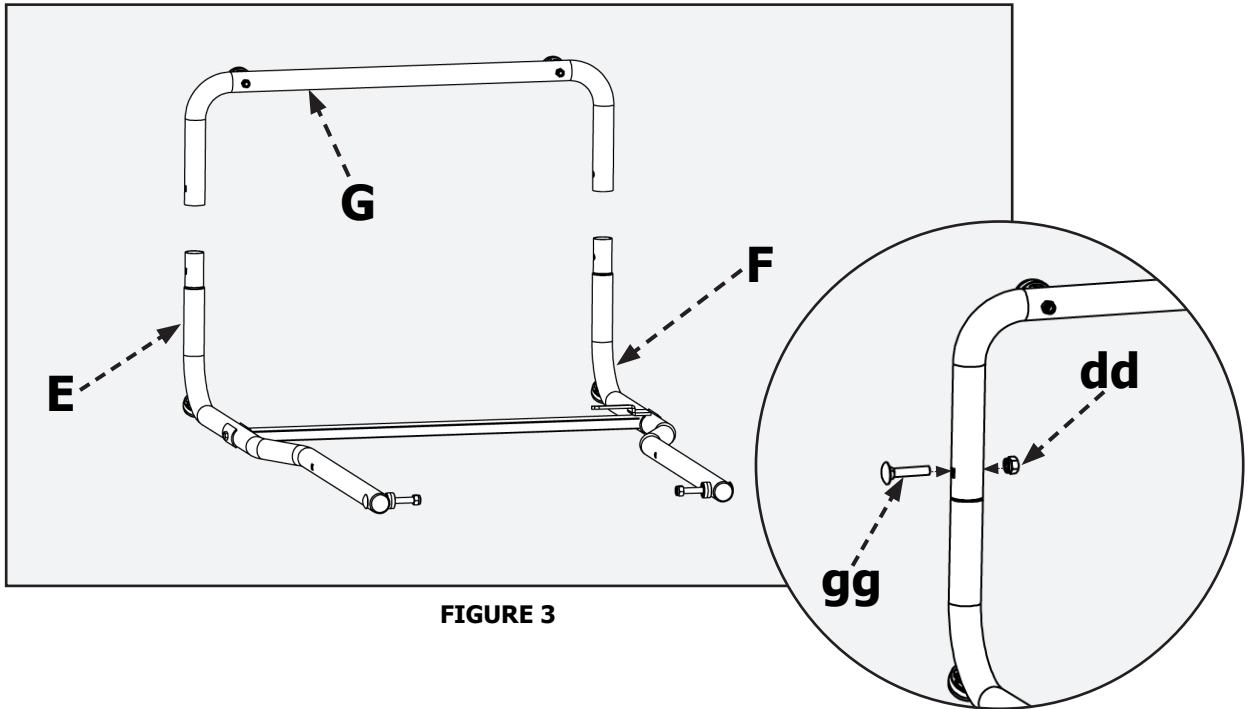


FIGURE 3

Attach Support Rod Connection Tube (G) onto the leg assembly from step Figure 2. Secure with M8 x 35mm (1.38") cap screw (ff) and nut (dd).

**NOTE:** The feet Support Rod Connection Tube (G) should face to the outside (left).

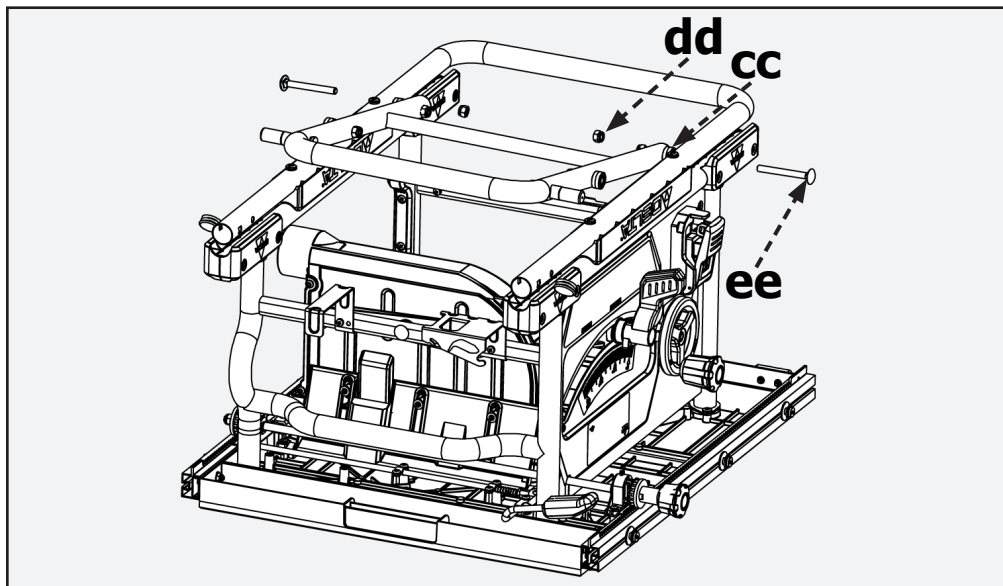
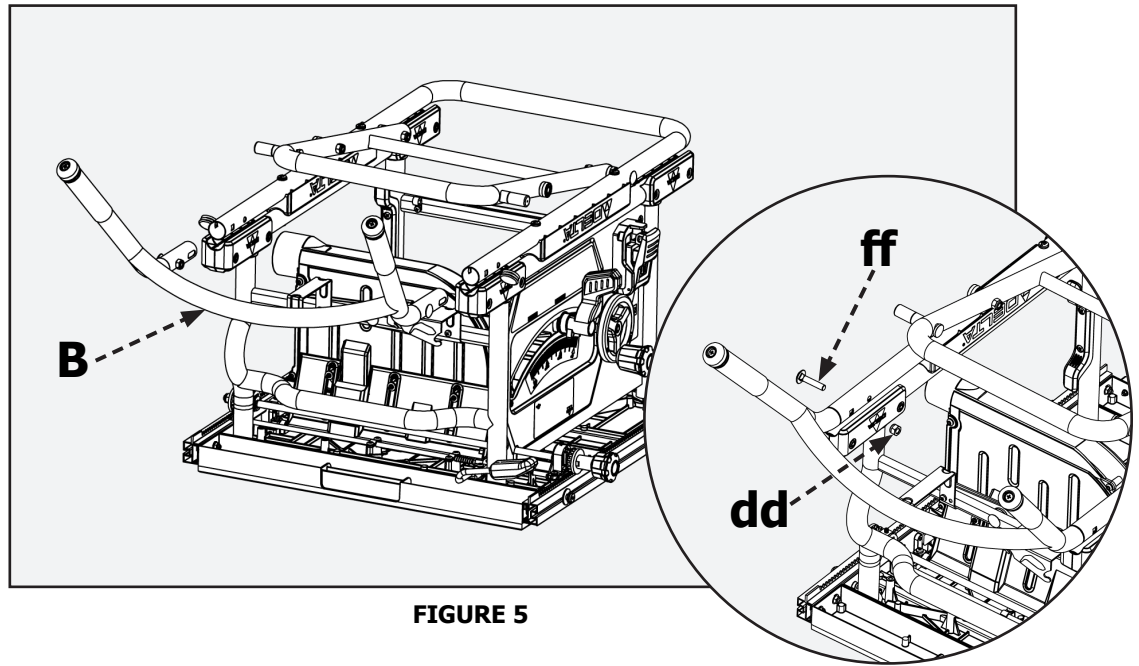


FIGURE 4

Secure Upper Stand Support Part 2 (I2) to Upper Stand Support Part 1 (pre-attached to saw) with M8 x 75 Carriage Screw (ee), Plastic Spacer (cc), and M8 Locknut (dd).

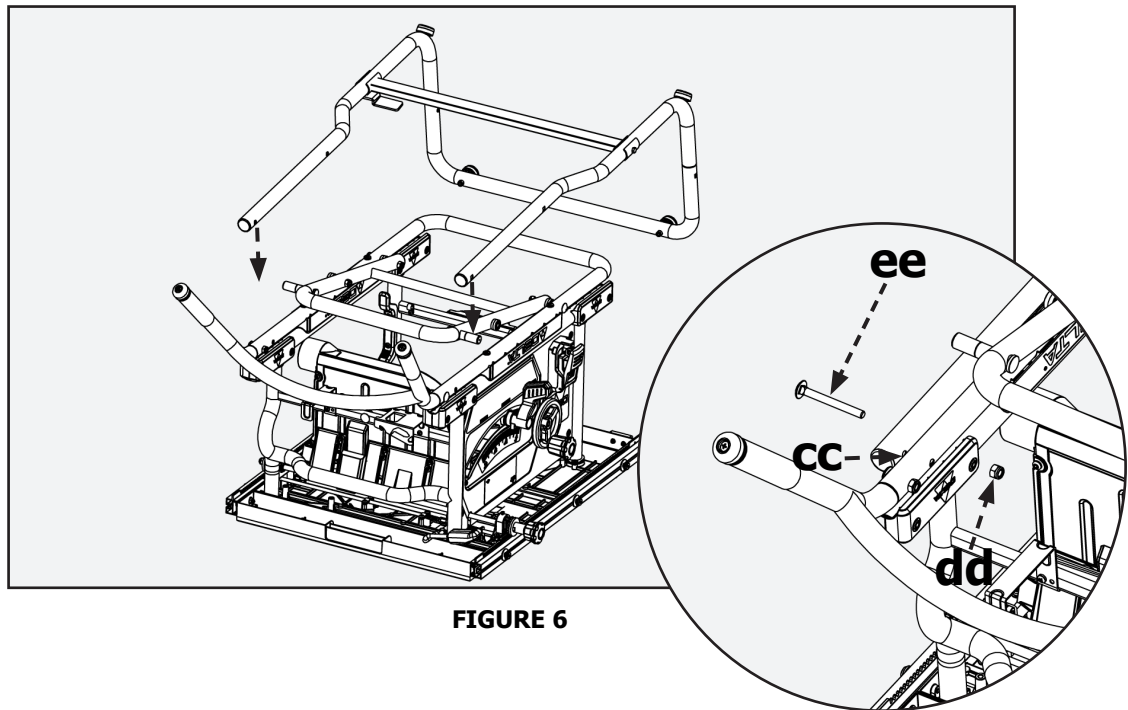
# ASSEMBLY



**FIGURE 5**

With table still in lower packing tray, attach stand handle (B) to table with 1-3/8 in. cap screw (ff) and nut (dd).

**NOTE:** Square and round holes can be aligned together.

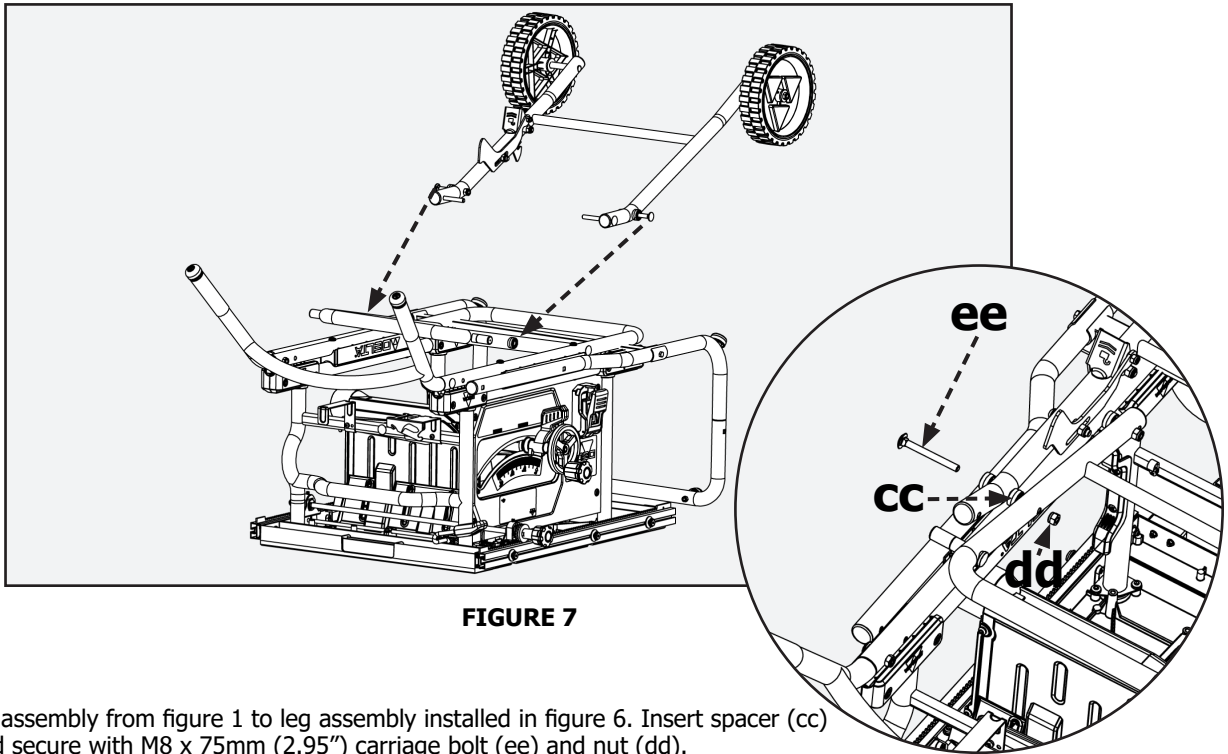


**FIGURE 6**

Attach leg assembly to table. Insert spacer (cc) between legs and secure with M8 x 75mm (2.95") carriage bolt (ee) and nut (dd).

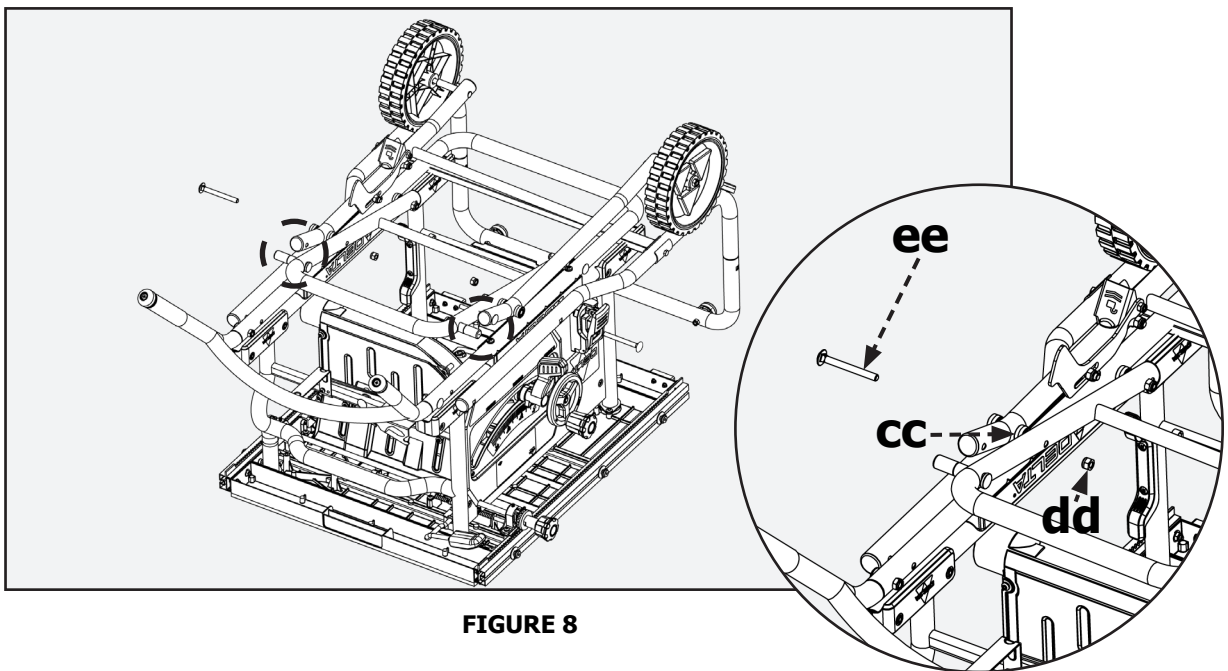
**NOTE:** Cut zip tie securing the pre-assembled upper leg in place.

# ASSEMBLY



**FIGURE 7**

Install the wheel assembly from figure 1 to leg assembly installed in figure 6. Insert spacer (cc) between legs and secure with M8 x 75mm (2.95") carriage bolt (ee) and nut (dd).



**FIGURE 8**

Raise the narrowest part of the stand to help align the holes. Insert spacer (cc) between legs and secure with M8 x 75mm (2.95") cap screw (ee) and nut (dd).

**NOTE:** Do Not overtighten. Cut zip tie securing pedal.

# ASSEMBLY

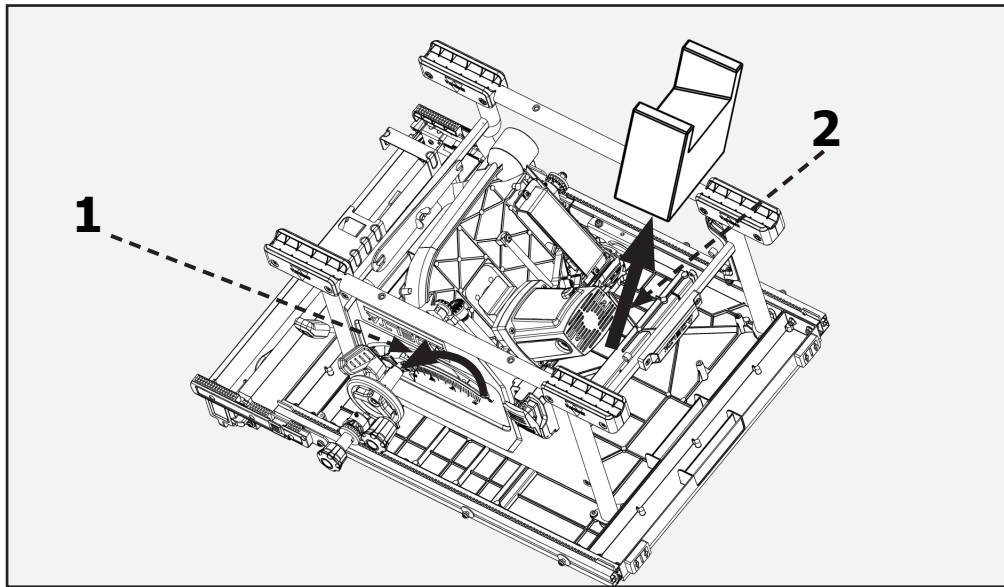


FIGURE 9

## ATTACH SAW TO STAND ASSEMBLY

Unlock the bevel lock tilt and rotate the motor assembly enough to remove the shipping foam protecting the saw motor as shown in Figure 9.

**⚠ WARNING:** DO NOT turn the handwheel during this step.

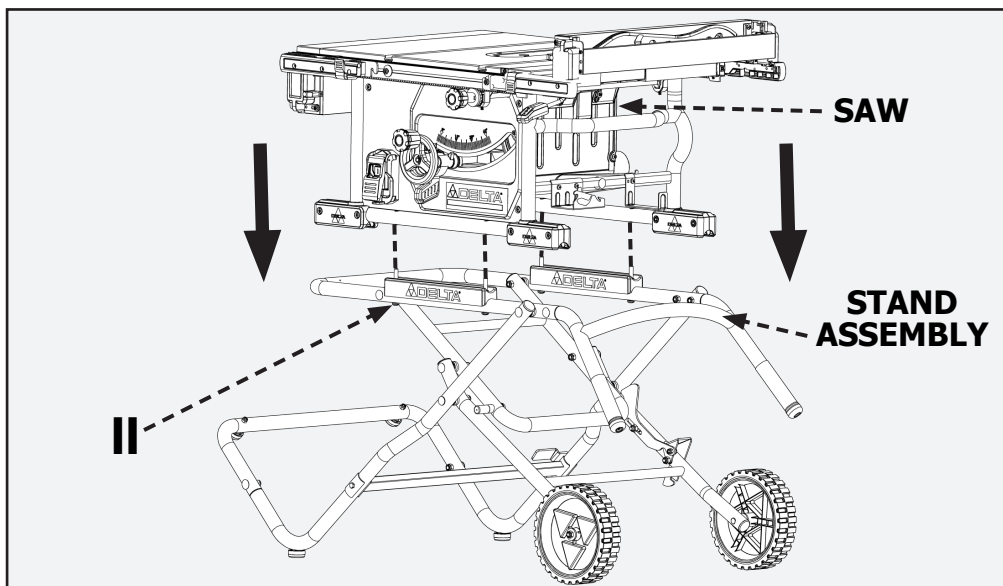


FIGURE 10

Place saw on stand and align threaded holes in saw with through holes on stand secure with four M8 x 55 button head socket screws (II).

See Figure 10.

# ASSEMBLY

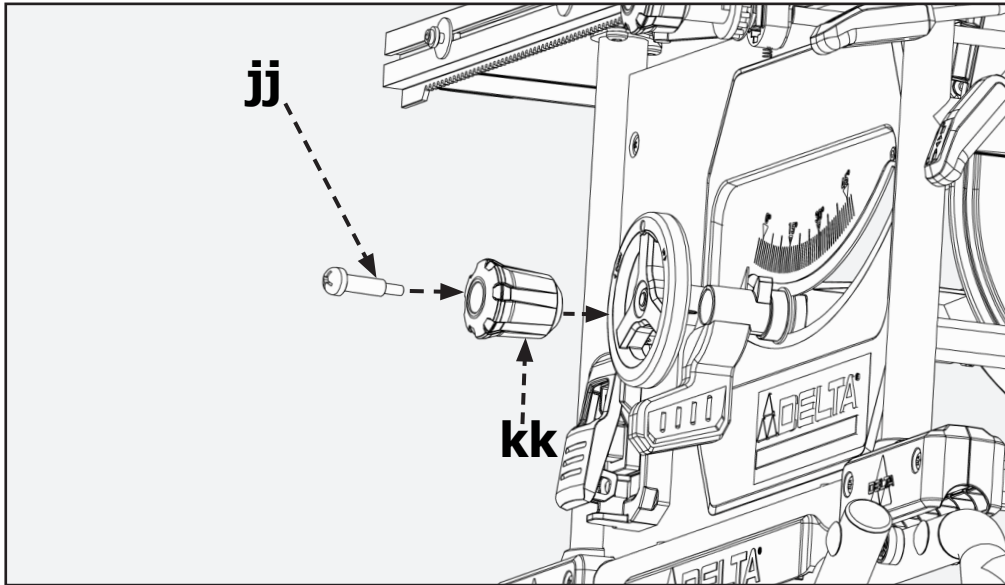


FIGURE 11

## HEIGHT ADJUSTMENT KNOB INSTALLATION

1. Insert wheel handle shoulder screw (jj) into height adjustment wheel knob (kk) as shown in Figure 11.
2. Tighten shoulder screw with Phillips Screw Driver into the Hand Wheel. Height adjustment wheel knob should rotate freely around shoulder screw when raising or lowering the blade with the Height Adjustment Hand Wheel.

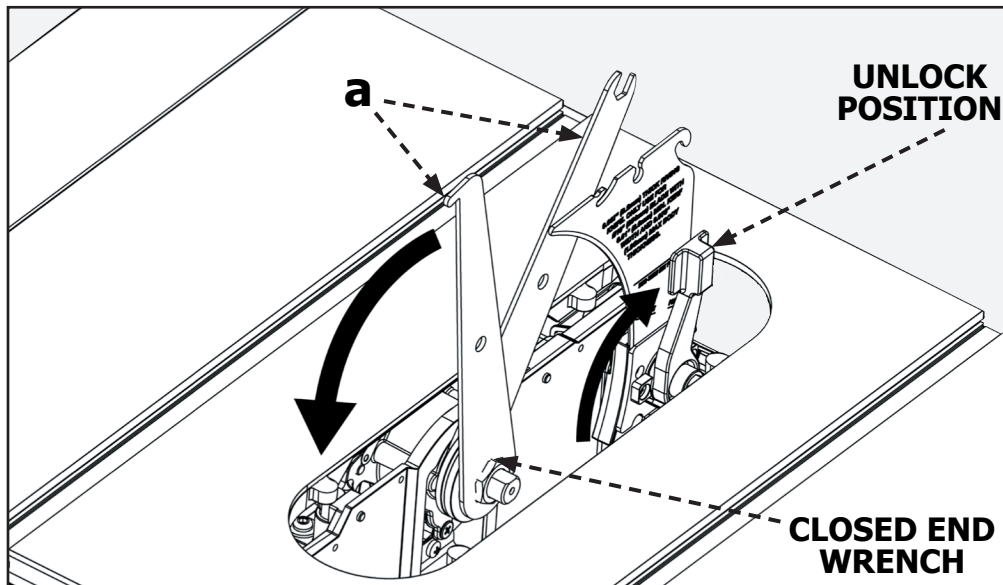


FIGURE 12

## BLADE AND GUARDS

### Attach the Blade

After installing height adjustment knob as shown in Figure 11, raise motor/arbor assembly to the upper most position to provide easy access to riving knife lock lever and arbor assembly. Ensure riving knife lock lever is in unlock position. See Figure. 12. Detach the on-board wrenches located on the right side of the saw by loosening and removing M8 wing nut. Place the open-ended wrench (a) on the spindle shoulder between the arbor flange and inner flange. Place the closed end wrench (a) over the arbor nut. Holding the spindle shaft in place, loosen and remove the arbor nut and arbor flange. See Figure 12. **NOTE:** Use only 10" (254 mm) diameter blades with 5/8" (16 mm) arbor holes, rated at 5,000 rpm or higher, 0.10" (2.6 mm) min. kerf width and 0.073" (1.85 mm) max body thickness. Only use 10 in. blades designed for woodcutting. Use only a saw blade diameter in accordance with the markings on the saw.



# ASSEMBLY

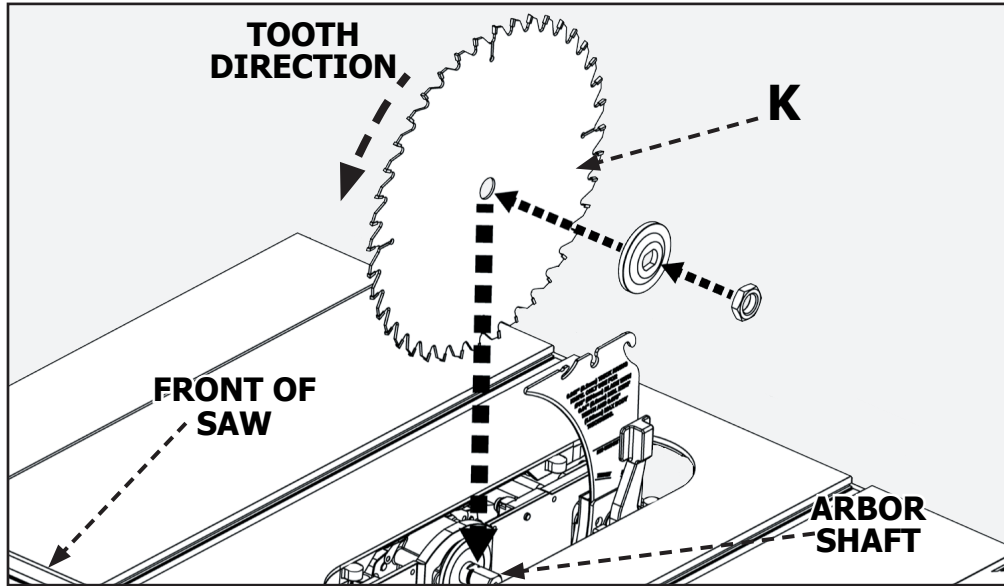


FIGURE 13

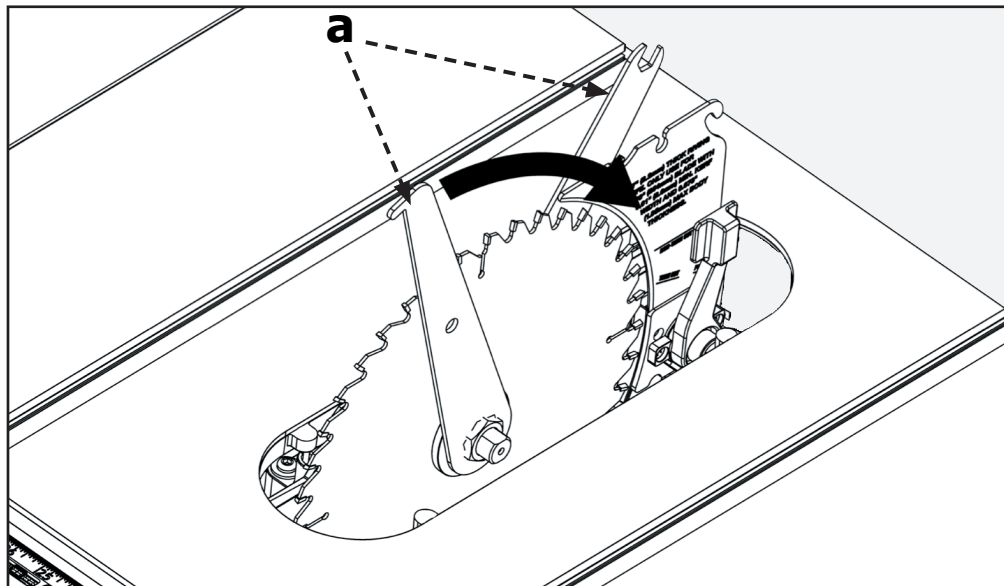


FIGURE 14

Place blade (K) on the arbor shaft with the teeth on the blade pointing toward the front of the saw. Place flanged washer on the shaft with the large side of the washer against the blade, then secure blade assembly with nut. See Figure. 13.

Tighten nut with blade wrenches (a). Open end wrench will fit on the arbor shaft between the inner flange washer and the motor assembly (if necessary, turn arbor shaft to align flats on the arbor shaft to the wrench). Closed end wrench will fit on the nut. See Figure 14.

Return wrenches (a) to onboard storage location. Position the riving knife in the "Thru-cut" position prior to installation of throat plate.

Details for positioning the riving knife are on page 44 RIVING KNIFE POSITION AND ALIGNMENT Section. See Figure 15.

# ASSEMBLY

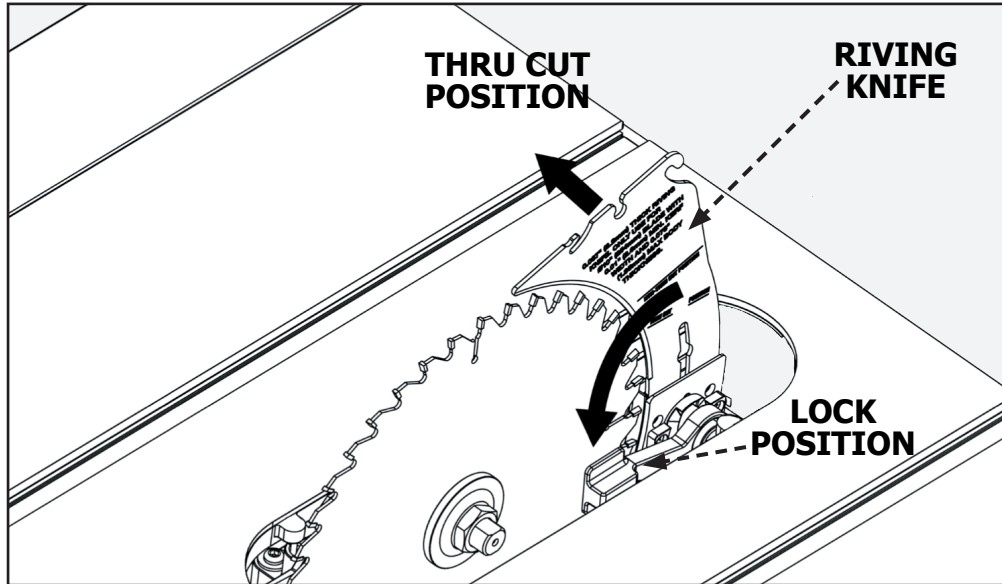


FIGURE 15

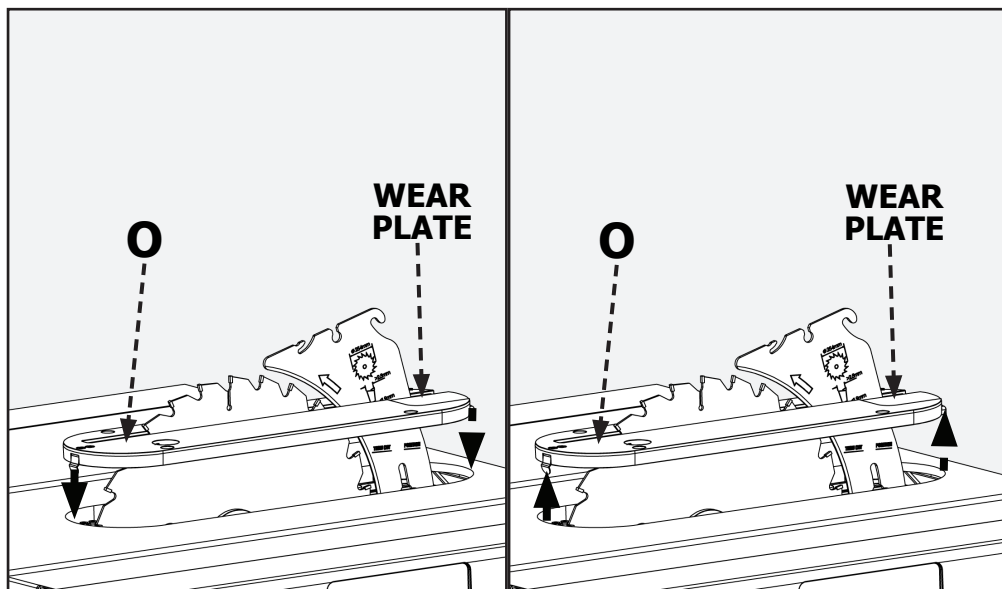


FIGURE 16

**⚠ WARNING:** To reduce the risk of serious injury,

- The riving knife must be installed for every through cut and for every non-through cut unless the riving knife would interfere with the cut.
- The riving knife provided with the table saw shall be thicker than the body of the matching saw blades provided with the table saw but thinner than the kerf width of that saw blades.
- Always use a blade with the correct thickness to match the riving knife. (0.10" (2.6mm) min. kerf width and 0.073" (1.85mm) max body thickness).
- The riving knife must be securely positioned in the "up" or "through cut" position when using the antikickback pawls and blade guard.
- Make sure the riving knife is properly aligned to the blade. (See Riving Knife Position and Alignment, Page 42).

## INSERT THROAT PLATE

Refer to Figure 16.

Place the throat plate (O) in place with the wear plate on the rear.

Engage the rear tab on the throat plate under the table and press the front end down until the front tab snaps into place on the table. To remove throat plate, lower blade below tabletop, then carefully slide the throat plate from out from the rear of the table to the front, keeping the blade centered within the slot on the throat plate.



# ASSEMBLY

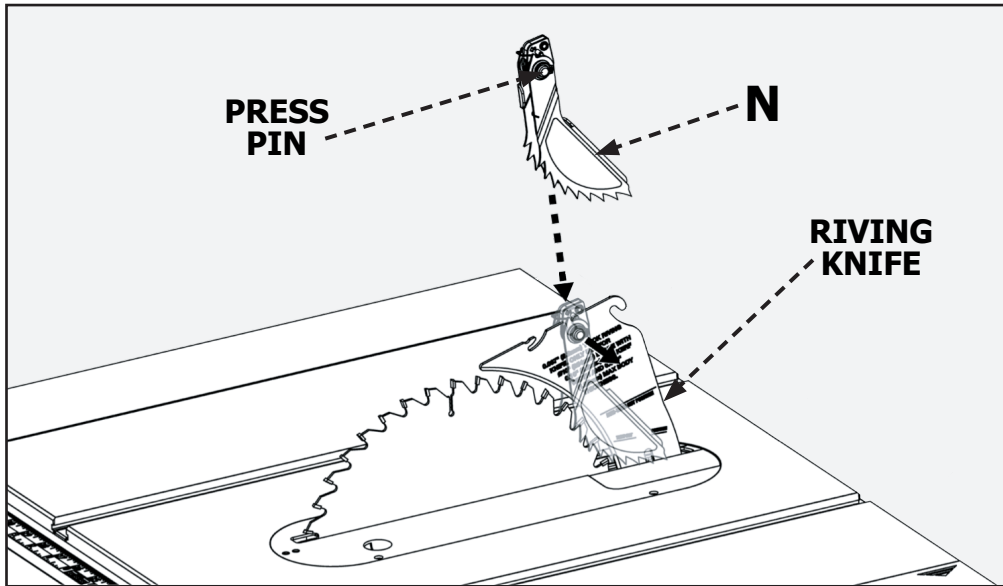


FIGURE 19

## ANTI-KICKBACK PAWLS AND BLADE GUARD

### ANTI-KICKBACK PAWLS

**⚠ WARNING:** To reduce the risk of serious personal injury, anti-kickback pawls must be in place when making a through cut.

To remove the anti-kickback pawls, depress the stem (B) and pull the anti-kickback assembly off the riving knife.

1. Refer to Figure 19 and locate the anti-kickback pawls mounting slot (A) in the middle of the top edge of the riving knife.
2. Slide slot in the middle of the anti-kickback pawls assembly along the top of the riving knife until the stem (B) locates the center slot on the riving knife.
3. Depress the stem on the anti-kickback pawls assembly (B) to allow the assembly to drop into the slot. Push down on the anti-kickback pawls assembly until it snaps into place and locks. Release stem. **NOTE:** Pull up on the anti-kickback pawls to make sure it is locked in place.

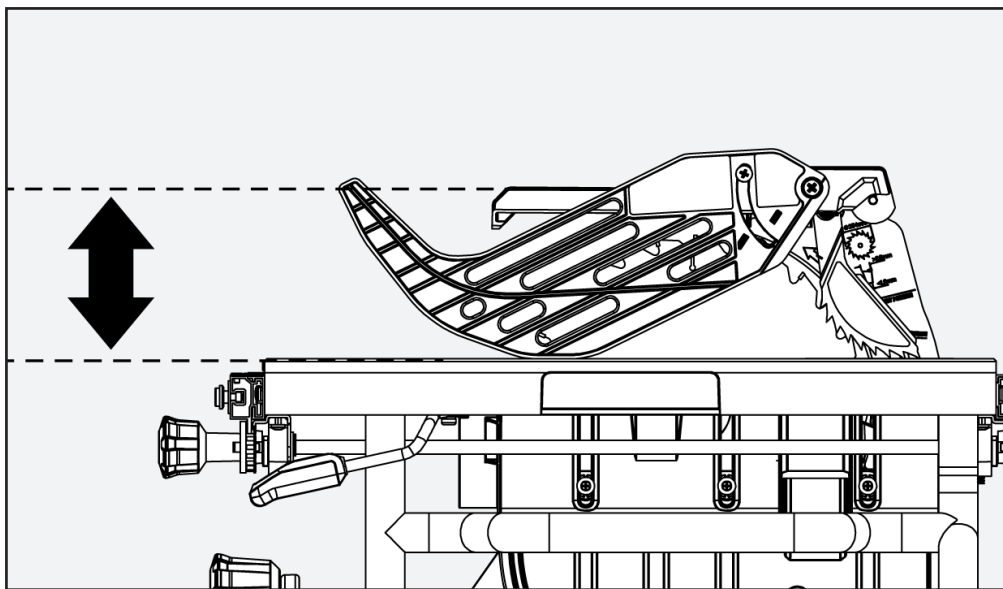


FIGURE 19B

If blade guard is not parallel to table, riving knife is not in raised (through cut) position. Raise and lower each side of the blade guard to verify free movement of the guard system. Be sure the guard system can be raised enough to clear your workpiece.

**Note:** Blade alignment with riving knife can be adjusted. **See: Checking and Aligning Riving Knife and Saw Blade, page 41.** Check the blade guard for clearances and free movement.

# ASSEMBLY

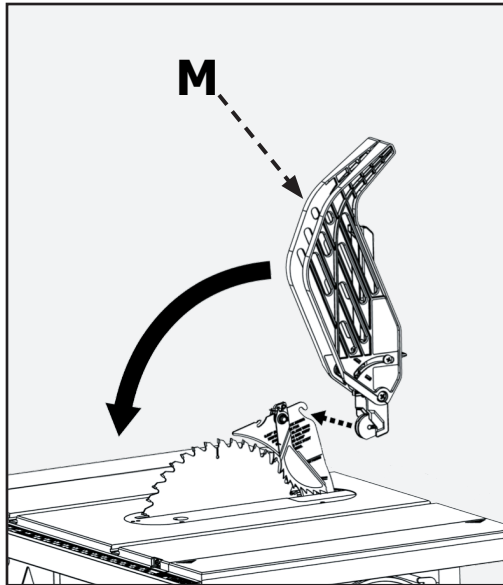


FIGURE 20

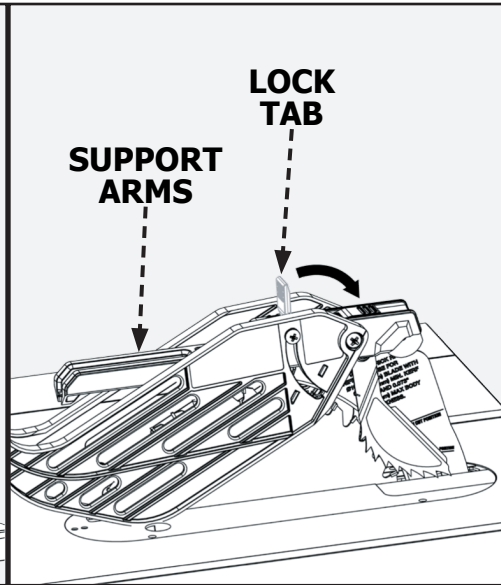


FIGURE 21

## BLADE GUARD

**⚠ WARNING:** To reduce the risk of serious personal injury, the blade guard must be in place when making a through cut.

1. While holding the blade guard assembly (A) in a vertical position, hook the locating pin (B) at the back end of the blade guard assembly into the slot at the back edge of the riving knife.
2. Rotate the blade guard assembly toward the front of the saw until the metal portion (C) of the blade guard assembly is parallel to the table as shown in Figure 20.
3. While holding down on the front of the metal portion of the guard (C) press the blade guard lock lever (D) down until it snaps into the locked position. Check to make sure the guard is locked onto the riving knife by pulling on the guard. If the guard is not locked, the blade guard lock lever will flip up to the unlocked position.

**⚠ WARNING:** If the metal portion of the blade guard assembly (C) is not parallel to the table, the riving knife is not in the raised position. Remove blade guard assembly and anti-kickback pawls and raise riving knife, then reinstall the antikickback pawls and the blade guard assembly.

To remove the blade guard assembly:

1. Lift the blade guard assembly lock lever (D) to the unlocked position.
2. Rotate the guard back and slide the pin (B) from the riving knife slot.

**NOTE:** If blade guard is not parallel to table, riving knife is not in raised (through cut) position. Raise and lower each side of the blade guard to verify free movement of the guard system. Be sure the guard system can be raised enough to clear your workpiece.

**NOTE:** Blade alignment with riving knife can be adjusted. **See: RIVING KNIFE HEIGHT SETTINGS, page 38.** Check the blade guard for clearances and free movement.

# ASSEMBLY

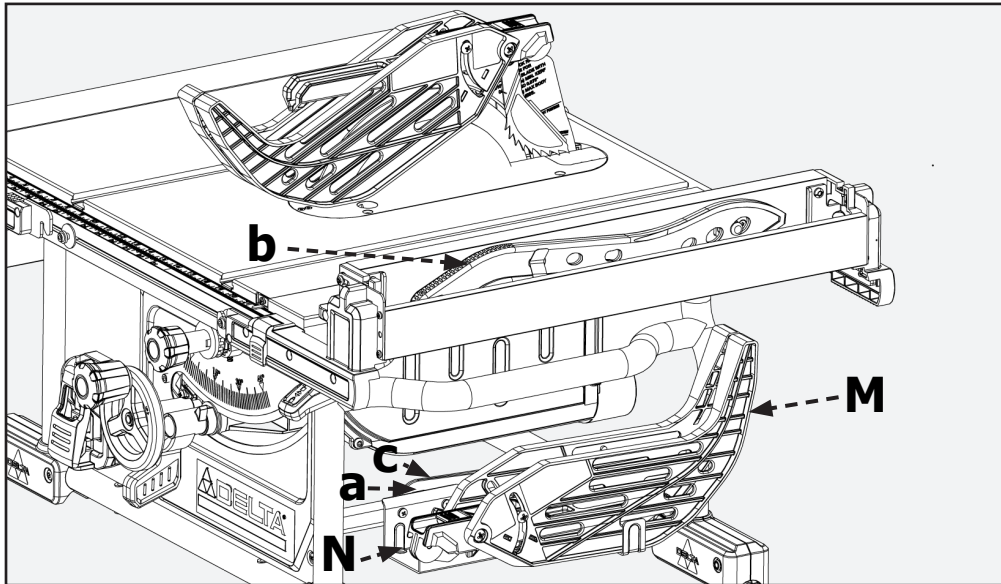


FIGURE 22

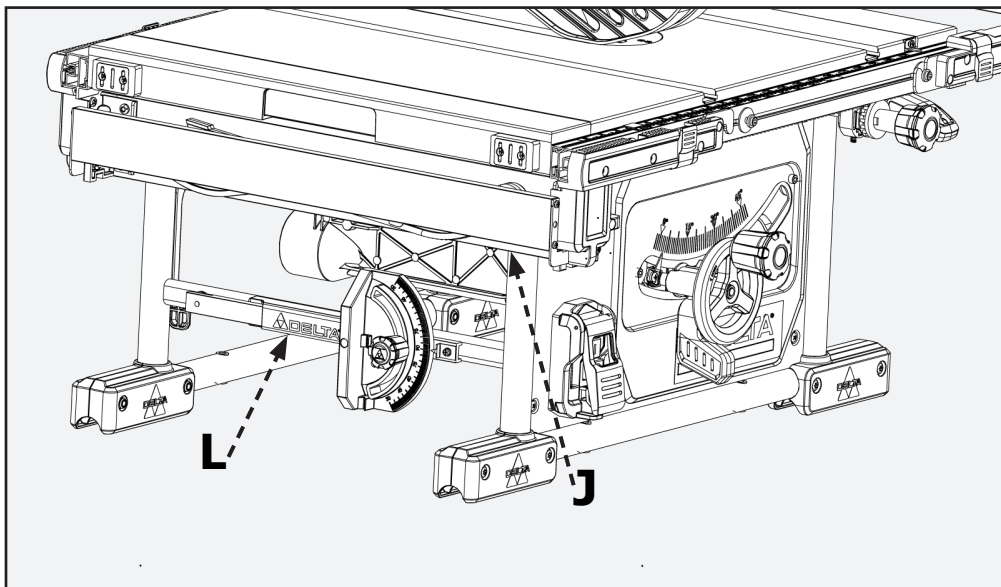


FIGURE 23

**NOTE:** Prior to placing the rip fence in the storage position you must temporarily remove the miter gauge from the storage position.

## ON-BOARD STORAGE

Storage is located on the left panel, right panel and back side of the tool as shown in Figures 22 & 23.

- b. Push Stick
- N. Anti-kickback assembly (Stored behind Blade Guard Assembly)
- a. Wrenches
- M. Blade guard assembly
- J. Fence
- L. Miter gauge
- c. Riving knife storage

# OPERATION

**▲ WARNING:** Failure to comply with the following the warnings may result in serious personal injury.

**READ ENTIRE MANUAL.** In addition to reading these operating instructions, it is important to read and understand the entire manual before operating this saw. Follow all applicable instructions regarding assembly, preparation, and adjustment prior to making any cuts and comply with all safety rules and warnings in this section and elsewhere throughout this manual.

1. Each time you use the saw, run through the following checklist:
  - Are the power source and power connections adequate for the saw?
  - Are the saw and work area free of clutter and by-standers?
  - Is the blade tight and properly aligned?
  - Does the riving knife thickness match the blade?
  - Are the blade and riving knife properly aligned?
  - Is the operator qualified to make the cut and familiar with all of the relevant safety rules, warnings and instructions included in this manual?
  - Is the operator and everyone in proximity to the saw wearing appropriate eye, hearing and respiratory equipment?
  - Are the bevel angle and height adjustment knobs locked in the proper position?
  - Is the blade set at the proper height?
  - If ripping, is the rip fence parallel to the blade and securely locked in position?
  - If crosscutting, is the miter gauge knob tight?
  - If making through cuts with a standard blade, are the blade guard riving knife and anti-kickback pawls properly attached and properly functioning with both guards contacting the table surface?
  - Is there proper clearance and support for the workpiece as it leaves the blade?
  - Are any cutting aids needed? If so, are they in place, or within reach for proper use?
2. The use of attachments and accessories not recommended by Delta Power Equipment Corporation may result in injury.
3. Replace or sharpen the anti-kickback fingers when the points become dull.
4. Make sure saw is stable and cutting can be accomplished without tipping the saw. Do not attempt to cut large workpieces without securing saw to a stable surface.
5. Never use the fence and miter gauge together without using a cutoff block as previously described.
6. The proper throat plate must be in place at all times.
7. If your saw makes an unfamiliar noise or if it vibrates excessively, cease operating immediately until the source has been located and the problem corrected.
8. Never perform freehand cutting, plunge cutting, re-sawing or cove cutting.

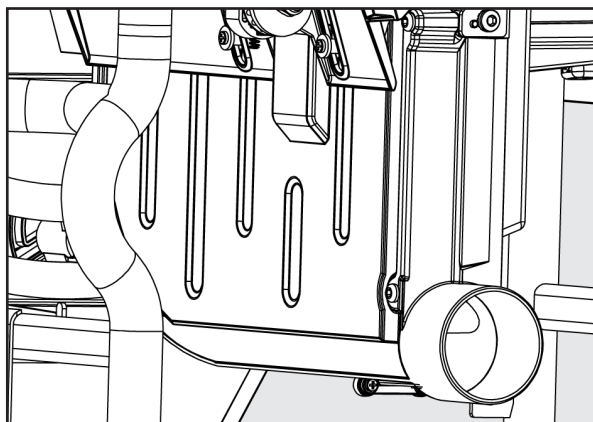
## AVOID KICKBACK

A kickback can occur when the workpiece pinches the blade, or binds between the saw blade and the rip fence or other fixed object. This can cause the workpiece to rise from the table and/or be thrown back toward the operator. See instructions for reducing the risk of kickback on page 6 of this manual.

**IF KICKBACK OCCURS**, turn the saw "OFF" and verify proper alignment of the blade, riving knife and miter gauge or rip fence, and the proper functioning of the riving knife, anti-kickback assembly and blade guard assembly before resuming work.

## DUST COLLECTOR

Connect a shop vacuum or dust collection hose to dust port on back of saw for best dust collection.



**Example 1**

# OPERATION

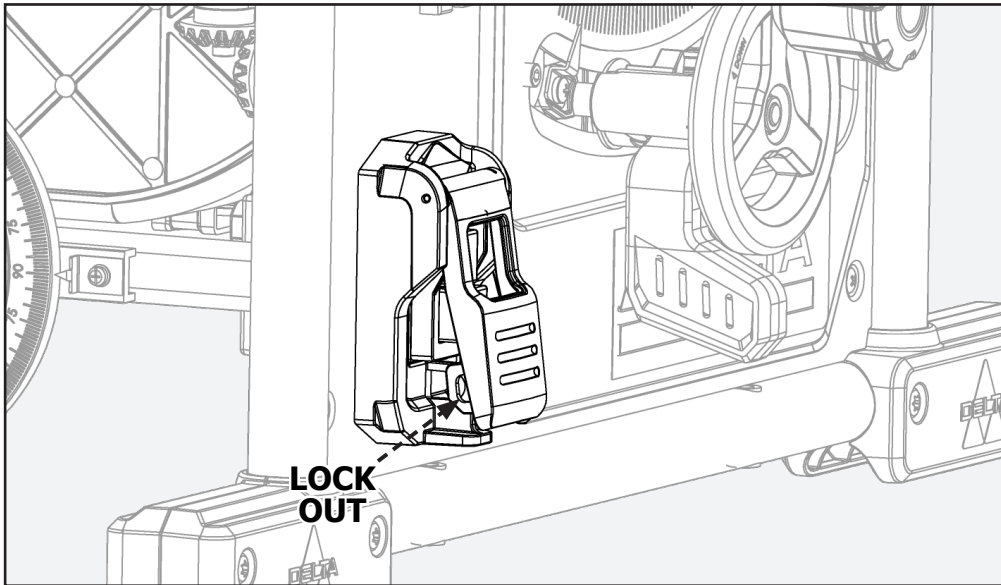


FIGURE 24

## TURNING THE SAW ON AND OFF

The ON/OFF paddle switch is located on the left side of the front panel of the saw.

Press the green "ON" button. Press the switch down to turn the saw OFF.

When not in use, the saw should be turned off and the power switch locked out to prevent unauthorized use. To lock out power switch, use a standard long shackle lock, with a shackle post no larger than 9/32-inch (7mm) thick.

See Figure 24.

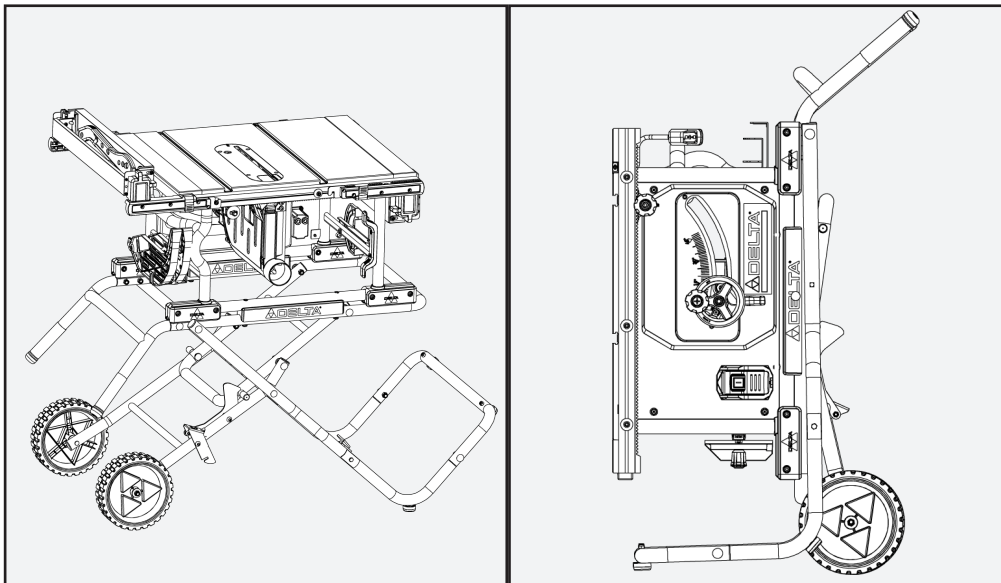


FIGURE 25

FIGURE 26

## TRANSPORTING THE SAW

To fold stand for moving, return side and rear extension tables to inner position lock side extension into place. Stow rip fence and miter gauge. Grasping handle bar, push the stand release pedal with foot and tilt up and forward until the saw rests on the wheels and stand feet.

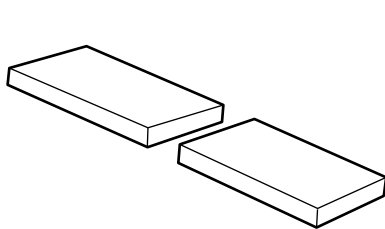
See Figures 25 & 26.



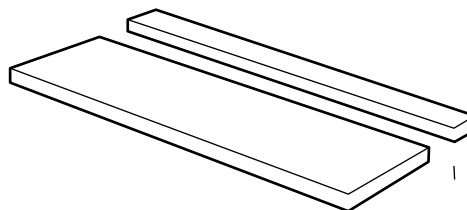
# MAKING CUTS

**⚠ WARNING:** Failure to comply with the following warnings may result in serious personal injury.

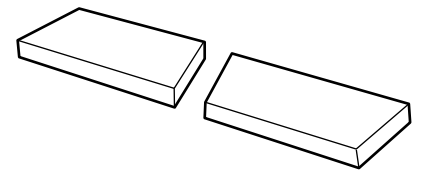
- Never touch the free end of the workpiece or a free piece that is cut off, while the power is on and/or the saw blade is rotating. Blade contact or binding may occur, resulting in a thrown workpiece.
- When sawing a long workpiece or a panel, use a work support, such as a sawhorse, rollers or outfeed table at the same height as the table surface of the saw.
- Never try to pull the workpiece back or lift it off the table, turn the switch off, allow the blade to stop, raise the anti-kickback teeth on each side of the riving knife if necessary, and slide the workpiece out.
- Before connecting the table saw to the power source or operating the saw, always inspect the blade guard assembly and riving knife for proper alignment and clearance with the saw blade. Check alignment after each change of beveling angle.
- A rip fence should **ALWAYS** be used for ripping operations to prevent loss of control and personal injury. Always lock the fence to the rail. **NEVER** perform a ripping operation freehand.
- When making bevel cuts, place the fence on the right side of the blade so that the blade is tilted away from the fence and hands. Keep hands clear of the blade and use a push stick to feed the workpiece unless the workpiece is large enough to allow you to hold it more than 6 inches (152 mm) from the table.
- Before leaving the saw unattended, lock out power switch, or take other appropriate measures to prevent unauthorized use of the saw.



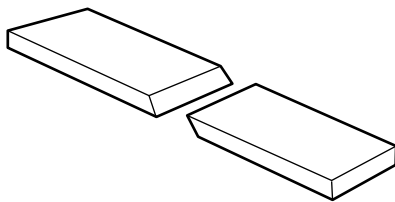
**Cross Cut**



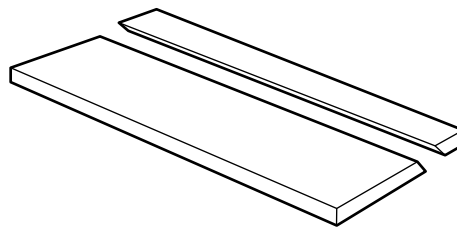
**Rip Cut**



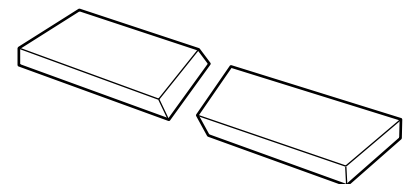
**Mitered Crosscut**



**Beveled Cross Cut**



**Beveled Rip Cut**



**Compound Miter Cut**

# MAKING CUTS

## RIP CUTS

- Rip cutting: Rip cutting is performed predominantly in a parallel direction with the grain of the wood.
  - Make sure blade is parallel to miter gauge slot prior to cutting. Instructions for adjustment on page 29.
1. Remove miter gauge.
  2. Make sure bevel angle is set to  $0^\circ$ .
  3. Set blade to correct height for workpiece.
  4. Install rip fence and lock it down parallel with and at desired distance from blade.
  5. Keep fingers at least 6 inches from the blade at all times. When the hand cannot be safely out between the blade and the rip fence, select a larger workpiece, or use a push stick and other cutting aids, as needed, to control the workpiece.
  6. Make sure the workpiece is clear of the blade (at least 1 inch or 25 mm away) before starting the saw.
  7. Turn saw on.
  8. Hold the workpiece flat on the table and against the fence (A). The workpiece must have a straight edge against the fence and must not be warped, twisted or bowed. See proper hand position in Figure 27.
  9. Let blade build up to full speed before moving workpiece into the blade.
  10. Both hands can be used while starting the cut as long as hands remain 6 inches from the blade.
  11. Keep the workpiece against the table and fence and slowly feed the workpiece rearward all the way through the saw blade. Do not overload the motor by forcing the workpiece into the blade.

12. Use the push stick and any other cutting aids, as needed, to hold the workpiece against the table and fence, and push the workpiece past the blade. A push stick is included with this saw, and instructions are included to make additional push sticks and other cutting aids.
13. Do not push or hold onto the free or cut-off side of the workpiece.
14. Continue pushing the workpiece until it is clear of the blade. Do not overload the motor by forcing the workpiece into the blade.
15. When cut is complete, turn saw off. Wait for blade to come to a complete stop before removing workpiece from table.

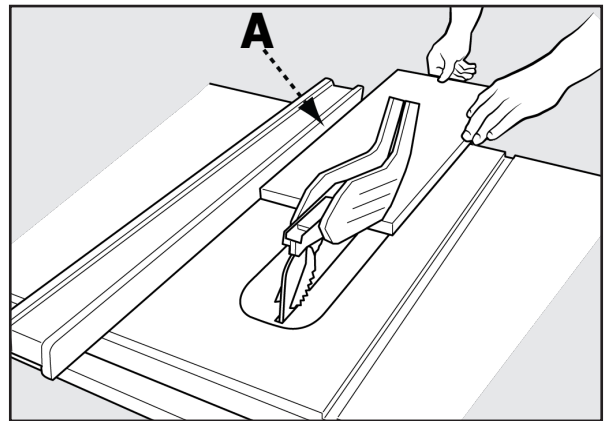


FIGURE 27

## BEVEL RIPPING

Bevel ripping is the same as ripping except the bevel angle (A) is set to an angle other than  $0^\circ$ . When making a bevel rip cut, place the fence on the right side of the blade so that the blade is tilted away from the fence and hands.

See Figure 28.

- **DO NOT** attempt compound miter cuts, with blade beveled and miter fence angled, until you are thoroughly familiar with the basic cuts and understand how to avoid kickback.
- Avoid bevel rip cuts with majority of material on left side of blade.

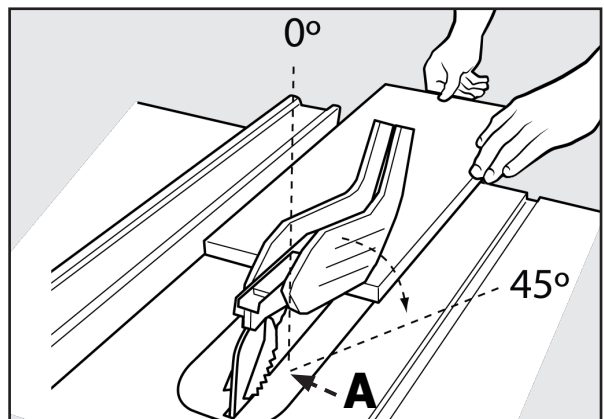


FIGURE 28

# MAKING CUTS

## CROSSCUTTING

- Cross cutting: Cross cutting is performed predominantly in a perpendicular direction with the grain of the wood.
- Make sure blade is parallel to miter gauge slot prior to cutting. Instructions for adjustment on page 29.
- **NEVER** use the fence as a guide or length stop when crosscutting, unless you are using the fence as described on page 31 Figure 38 of this manual.
- The cut-off piece must never be confined in any through-sawing (cutting completely through the workpiece) operation—to prevent pinching blade which may result in a thrown workpiece and possibly injury.
- When using a block as a cut-off gauge, the block must be at least 3/4-inch (19mm) thick. It is very important that the rear end of the block be secured in a position where the workpiece is clear of the block before it enters the blade to prevent binding of the workpiece.

You can use the miter gauge in either table slot on nonbevel cuts. To increase surface area of miter gauge face, add an auxiliary face (See Cutting Aids section on page 32 of this manual.)

**To make a crosscut, refer to Figure 35 and follow this process:**

1. Remove rip fence.
2. Make sure bevel angle is set to 0°.
3. Set blade to correct height for workpiece.
4. Place miter gauge in either miter slot.
5. Set miter gauge to 90° and tighten miter gauge lock knob
6. Hands must remain at least 6 inches from blade throughout entire cut. If workpiece is too small to keep hands at least 6 inches away from the blade, select

a larger workpiece, or attach an auxiliary face to the miter gauge and attach workpiece to auxiliary face, For instructions about making auxiliary faces, see CUTTING AIDS section on page 29 of this manual.

7. Make sure the workpiece is clear of the blade - at least 1 inch or 25mm away - before starting the saw.
8. Turn saw on.
9. Let blade build up to full speed before moving workpiece into the blade.
10. Hand closest to blade should be placed on miter gauge lock knob and hand farthest from blade should hold workpiece firmly against the miter gauge face. Do not push or hold onto the free or cut-off side of the workpiece.
11. Slowly feed the workpiece rearward all the way through the saw blade. Do not overload the motor by forcing the workpiece into the blade.
12. When cut is complete, turn saw off. Wait for blade to come to a complete stop before removing cut off piece from table.

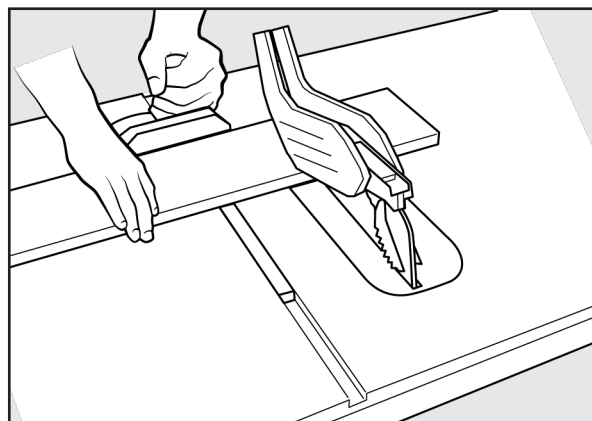


FIGURE 29

## BEVEL CROSSCUTTING

Bevel crosscutting is the same as crosscutting except the bevel angle (A) is set to an angle other than 0°. When making a bevel crosscut, place the miter gauge in the right miter slot so that the blade is tilted away from the gauge and hands. See Figure 30.

## MITER CUTS

Miter cuts are cross cuts with the miter gauge set at an angle other than 90°. Miter gauge can be adjusted to one of the 8 positive stop angles or as desired to an individual angle increment.

### ⚠ WARNING:

- Miter angles more than 45° may force the blade guard assembly into the saw blade causing damage to the blade guard assembly and personal injury. Before starting the motor, test the operation by feeding the workpiece into the blade guard assembly. If the blade guard assembly contacts the blade, place the workpiece under the blade guard assembly but not touching the blade - before starting the motor.
- Certain workpiece shapes, such as molding may not lift the blade guard assembly properly. With the power off, feed the workpiece slowly into the blade guard area and until the workpiece touches the blade. If the blade guard assembly contacts the blade, place the workpiece under the blade guard assembly - but not touching the blade - before starting the motor.

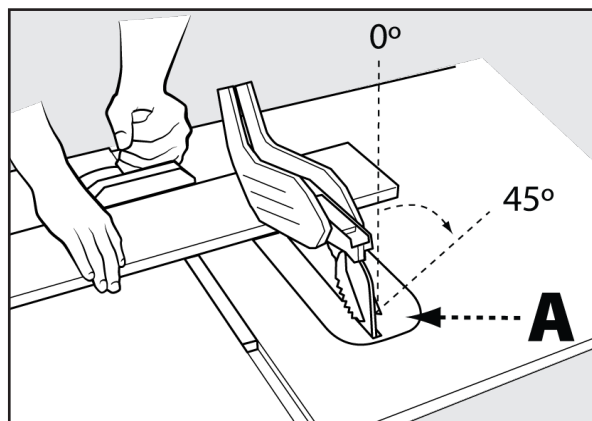


FIGURE 30

# MAKING CUTS

## COMPOUND MITER CUTS

This is a combination of bevel crosscutting and mitering. Refer to Figure 31 and follow the instructions for both bevel crosscutting and mitering. Remember to use the right miter slot on the right side of the blade for all bevel cuts.

## LARGE PANEL CUTS

Place workpiece supports at the same height as the saw table behind saw to support the cut workpiece, and alongside (s) of saw, as needed. Depending on shape of panel, use rip fence or miter gauge to control workpiece. If a workpiece is too large to use either a rip fence or a miter gauge, it is too large for this saw.

## NON-THROUGH CUTS

The use of a non-through cut is essential to cutting grooves, and rabbets. Non-through cuts can be made using a standard blade having a diameter of 10 inches. Non-through cuts are the only type of cuts that should be made without the blade guard assembly installed. Make sure the blade guard assembly is reinstalled upon completion of this type of cut.

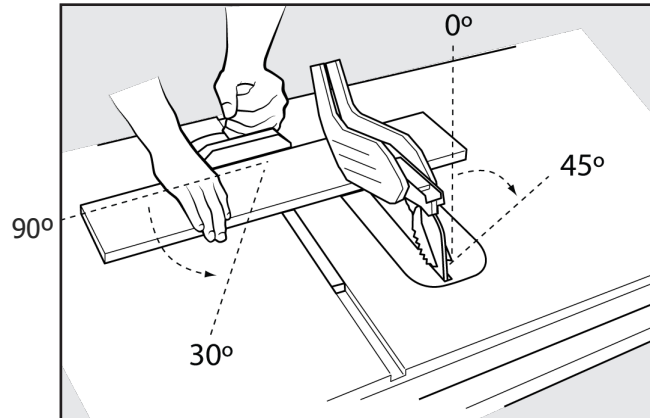


FIGURE 31

### ⚠ WARNING:

- When making non-through cuts, follow all applicable warnings and instructions listed below in addition to those listed above for the relevant through cut.
- When making a non-through cut, blade is covered by workpiece during most of cut. Be alert to exposed blade at start and finish of every cut.
- Never feed wood with hands when making any non-through cuts such as rabbets or grooves. Always use miter gauge, push blocks or push sticks, and featherboards where appropriate.
- In addition to this section, read the appropriate section which describes the type of through or cut. For example, if your non-through cut is a straight cross cut, read and understand the section on straight cross cuts before proceeding.
- Once all non-through cuts are completed, unplug saw and return riving knife to through cut position. Install anti-kickback pawls and blade guard.
- Carefully follow the instructions accompanying any specialized blades for proper installation, set up and operation.

## MAKING A NON-THROUGH CUT

- Once all non-through cuts are completed, unplug saw and reinstall riving knife in raised position. Install anti-kickback pawls and blade guard.
  1. Unplug saw.
  2. Unlock bevel lock.
  3. Adjust bevel angle to 0°.
  4. Lock bevel lock.
  5. Remove blade guard and anti-kickback pawls.
  6. Place riving knife in "lowered" position. See RIVING KNIFE POSITION AND ALIGNMENT Section on page 41.
  7. Set blade to correct depth for workpiece.
  8. Depending on shape and size of wood, use either rip fence or miter gauge.
  9. Plug saw into power source and turn saw on.
  10. Let blade build up to full speed before moving workpiece into blade.
  11. Always use push blocks, push sticks, and/or featherboards when making non-through cuts to reduce the risk of serious injury.
  12. When cut is made, turn saw off. Wait for blade to come to a complete stop before removing workpiece.
  13. When cut is complete re-adjust riving knife to position as detailed on page 41.

# MAKING CUTS

## HEELING (PARALLELING) BLADE TO MITER GAUGE GROOVE

- Blade (A) must be parallel to miter gauge groove so that wood does not bind, resulting in kickback. Failure to do so could result in serious personal injury.
- To reduce risk of injury from kickback, align rip fence to blade (A) following any blade adjustments.

**DO NOT** loosen any screws for this adjustment until alignment has been checked with a square to be sure adjustments are necessary. Once screws are loosened, items **must** be reset.

**Note:** Unplug saw. Remove blade guard and anti-kickback pawls. Raise the blade (A) by turning height adjusting wheel.

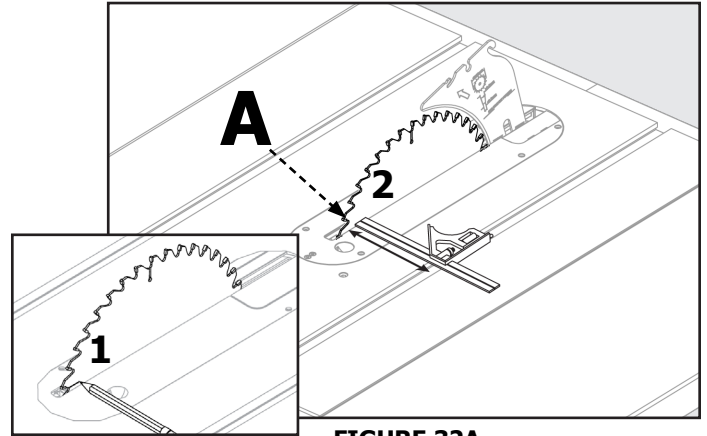


FIGURE 32A

1. Mark beside one of blade teeth at front of blade (A). Place a combination square even with front of saw table and side of saw blade (A) as shown.
2. Turn blade (A) so that marked tooth is at back. Move combination square to the rear and again measure the distance. If the distances are the same, blade (A) is square.

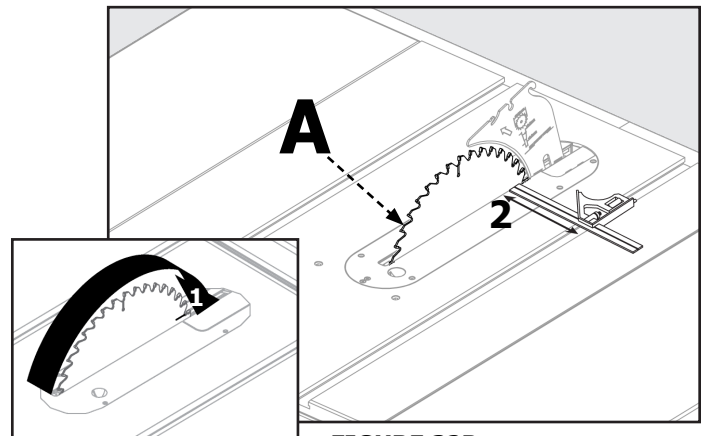


FIGURE 32B

# CUTTING AIDS AND ACCESSORIES

## PUSH STICK

In order to operate your table saw safely, you must use a push stick whenever the size or shape of the workpiece would otherwise cause your hands to be within 6-inches (152mm) of the saw blade or other cutter. A push stick is included with this saw.

No special wood is needed to make additional pushsticks as long as it is sturdy and long enough with no knots, checks or cracks. A length of approximately 15.7 inches (400mm) is recommended with a notch that fits against the edge of the workpiece to prevent slipping. It's a good idea to have several push sticks of the same minimum length, 15.7 inches (400mm), with different size notches for different workpiece thicknesses.

The shape can vary to suit your own needs as long as it performs its intended function of keeping your hands away from the blade. Angling the notch so the push stick can be held at a 20 to 30-degree angle from the saw's table will help you to hold down the workplace while also moving the saw.

To construct a push stick, refer to the layout shown in Figure 33.

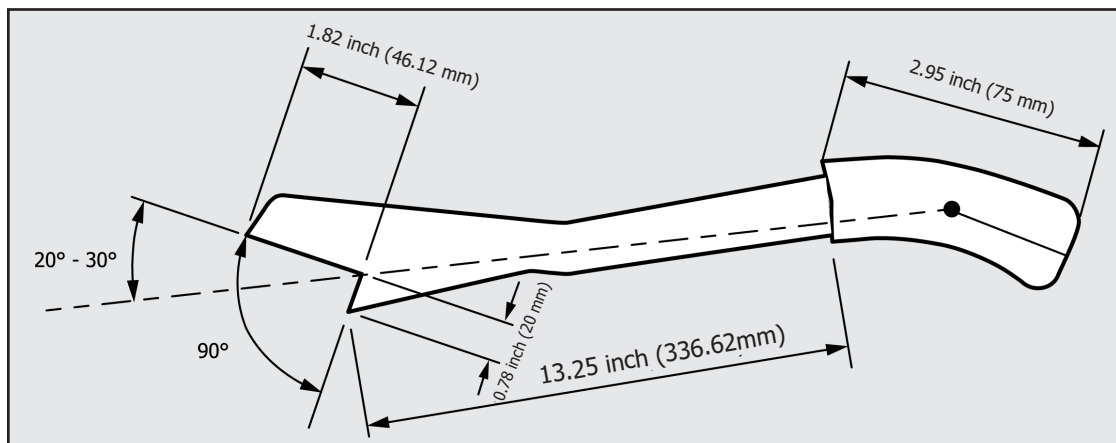


FIGURE 33

## AUXILIARY MITER GAUGE FACING

An auxiliary miter gauge facing is used to increase the surface area of the miter gauge face.

The use of miter gauge with auxiliary facing is the same as original miter gauge (without auxiliary facing). See Page 35 for the use of miter gauge.

If desired, you can fit the miter gauge with an auxiliary wood facing that should be at least 1-inch (25mm) higher than the maximum depth of cut, and at least as wide as the miter gauge.

This auxiliary wood facing can be fastened to the front of the miter gauge by using (2) M6 or 1/4-20 flat head screws and nuts, placing the nuts into the slots provided in the face of the miter gauge body.

See Figure 34.

Make sure the screws are long enough to secure the facing.

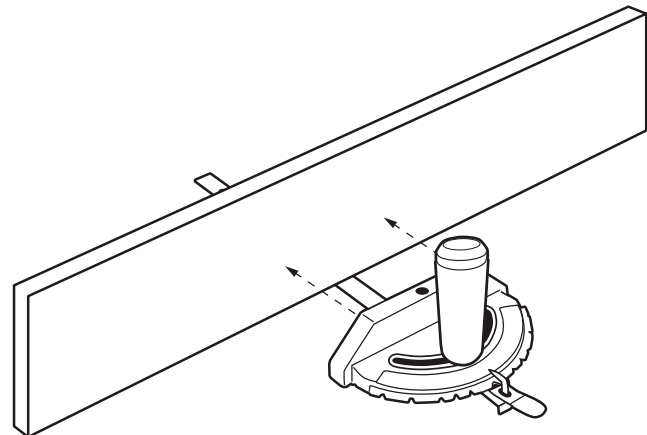


FIGURE 34

**⚠ WARNING:** Flat head screws must be recessed into face of board.

## PUSH BLOCK

Push blocks are blocks used to securely hold down the workpiece against the table. They include some gripping surface or handle to hold the block. Any screws running through the underside of the block to fasten the handle should be recessed in order to avoid contact with the workpiece.

1. Select a piece of wood about 4-inches wide, 6-inches long and 1- to 2-inches thick (a cutoff from a 2 by 4 makes a good blank for a push block).
2. Drill a hole in the block and glue in a dowel to use as a handle (you can angle the hole to provide a more comfortable grip on the handle).
3. Glue a piece of rough or soft material such as sandpaper or rubber to the bottom of the block to grip the workpiece (old mouse pads work well).

See Figure 35.

## GROOVING AND RABBETING

Clamping a featherboard in front of the blade can increase safety during non-through cuts, like grooving and rabbeting, and through cuts. Use a featherboard to guide the workpiece against the table and fence when making non-through cuts such as rabbeting. A featherboard helps to control the kickback.

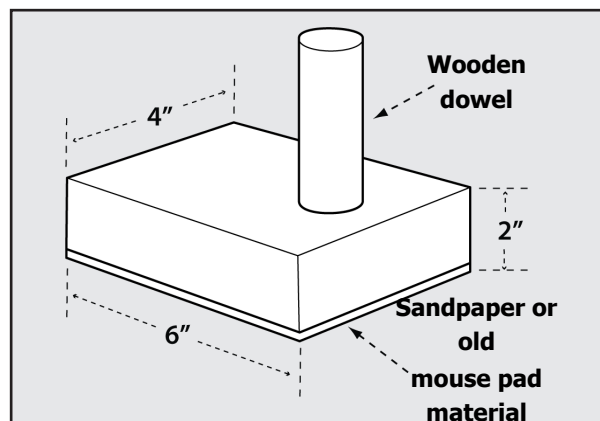


FIGURE 35

# CUTTING AIDS AND ACCESSORIES

## FEATHERBOARD

Featherboards are used to keep the workpiece in contact with the fence and table (Figure 36), and help prevent kickback. Featherboards are especially useful when ripping small workpieces and for completing non-through cuts. The end is angled with a series of narrow slots to give a friction hold on the workpiece. It is locked in place on the table or fence with a c-clamp.

**⚠ WARNING:** To avoid binding between the workpiece and the blade, make sure a horizontal feather board presses only on the uncut portion of the workpiece in front of the blade.

Dimensions for making a typical featherboard are shown in Figure 36. Make your featherboard from a straight piece of wood that is free of knots and cracks. Clamp featherboards to the fence and/or table so that the featherboard will hold the workpiece against the fence or table. Clamping a featherboard in front of the blade can increase safety during non-through cuts and through cuts.

1. Select a solid piece of lumber approximately 3/4-inch thick, 2 1/2-inches wide and 12-inches long.
2. Mark the center width on one end of stock. Miter width to 70° (see miter cut section for information on miter cuts).
3. Set rip fence to allow approximately a 1/4-inch "finger" to be cut in the stock.
4. Feed stock only to mark previously made at 6 inches.
5. Turn saw off and allow blade to completely stop rotating before removing stock.
6. Reset rip fence and cut spaced rips into workpiece to allow approximately 1/4-inch fingers and 1/8-inch spaces between fingers.

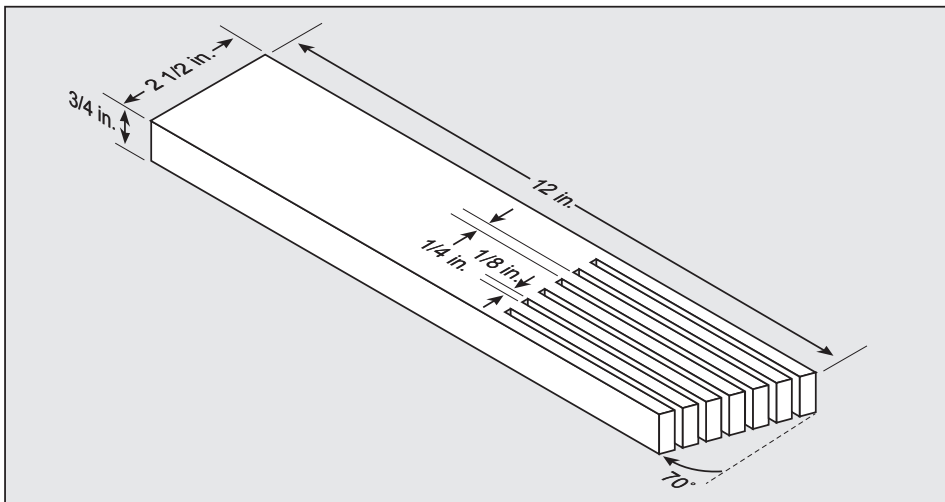


FIGURE 36

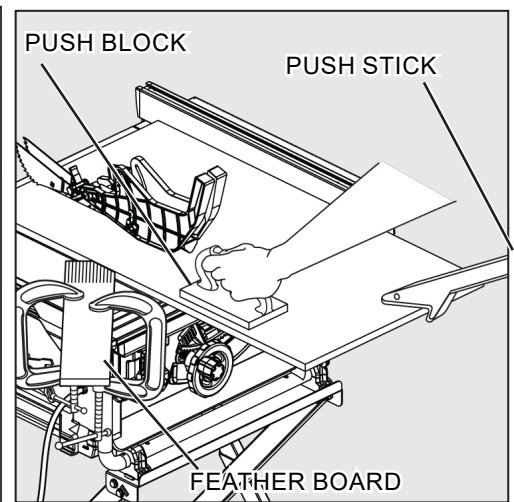


FIGURE 36A

## CUT OFF GAUGE

When crosscutting a number of pieces to the same length, you can clamp a block of wood (A) (See Figure 37) to the fence and use it as a cut-off gauge. The block (A) must be at least 3/4-inch (19 mm) thick to prevent the cut off piece from binding between the blade and the fence. Once the cut-off length is determined, lock the fence and use the miter gauge to feed the workpiece into the blade.

**⚠ CAUTION:** Always position the cut-off gauge in front of the saw blade.

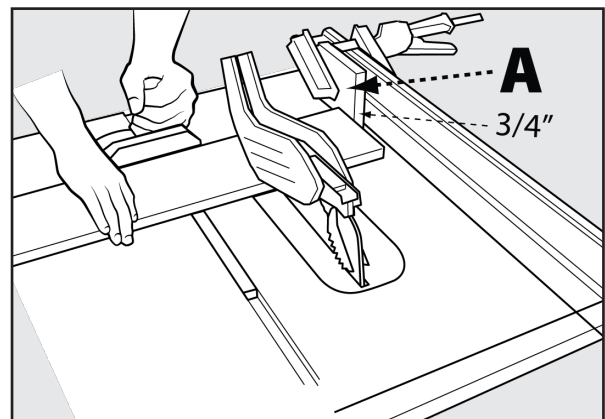


FIGURE 37

## JIGS

Jigs may be created with a variety of special set-ups to control particular workpiece shapes for particular cuts. Guidance on how to make specialized jigs can be found in woodworking and carpentry websites and publications.

**⚠ CAUTION:** Do not attempt to create or use a jig unless you are thoroughly familiar with table saw safety. Do not use any jig that could result in pinching a kerf or jamming the workpiece between the jig and the blade. Incorrect setups may cause kickback which could result in serious injury.

# MAKING ADJUSTMENTS

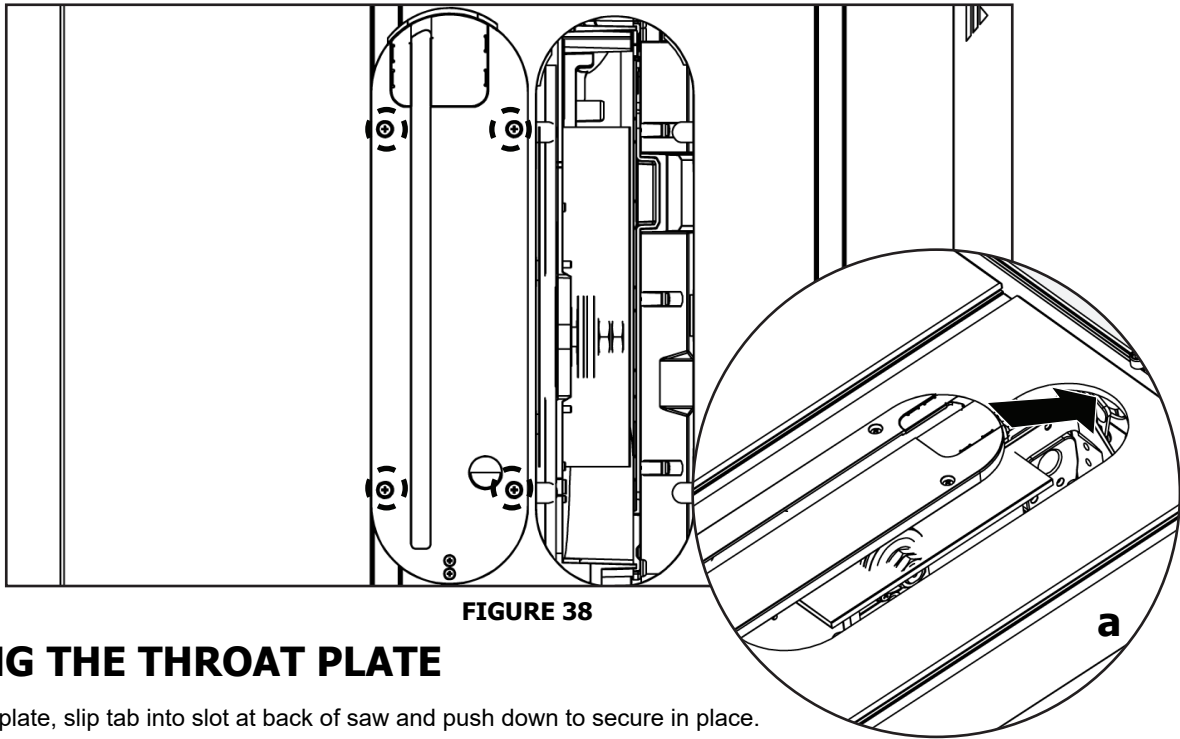


FIGURE 38

## LEVELING THE THROAT PLATE

To install throat plate, slip tab into slot at back of saw and push down to secure in place. See Figures 38 & 38a.

**NOTE:** There are four screws pre-assembled to the throat plate that can be used for leveling the throat plate if necessary. Turn screws clockwise to raise the throat plate, counter clockwise to lower. Plate should be even or slightly below table surface. Plate should not be above or more than 1/4 inch (0.7 MM) below the table on infeed side. On outfeed side plate should be below or no more than 1/4 inch (0.7 MM) above the table.

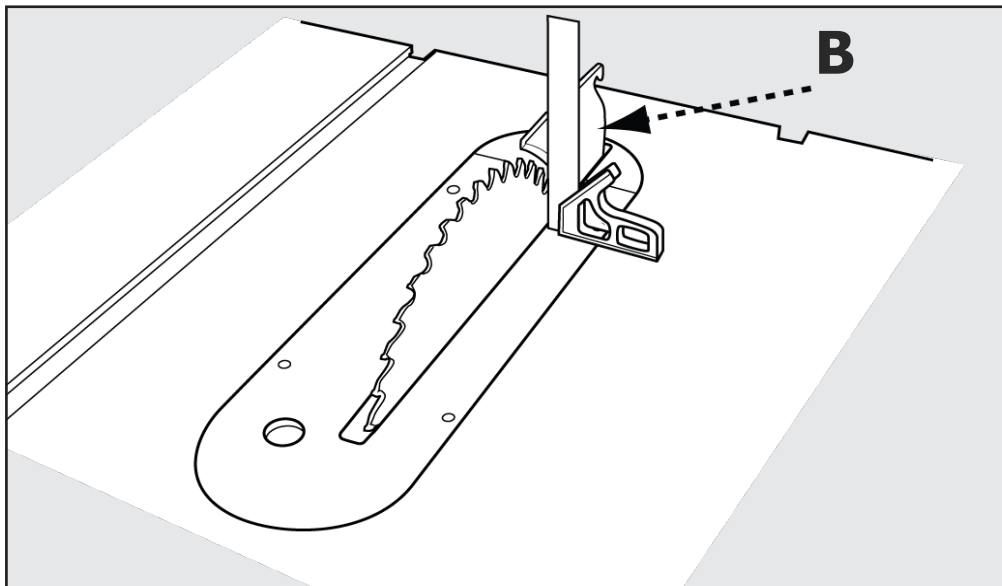


FIGURE 39

## SQUARING THE BLADE VERTICALLY TO THE TABLE

Place a framing square (B) on the table surface and against both blade and riving knife. The framing square should be in full contact with the blade face and riving knife. See Figure 39.

If it is not square, adjust the 0-degree stop as shown in "Adjusting The Bevel Stops" below. See Figures 40, 40a, 41 and 41a.



# MAKING ADJUSTMENTS

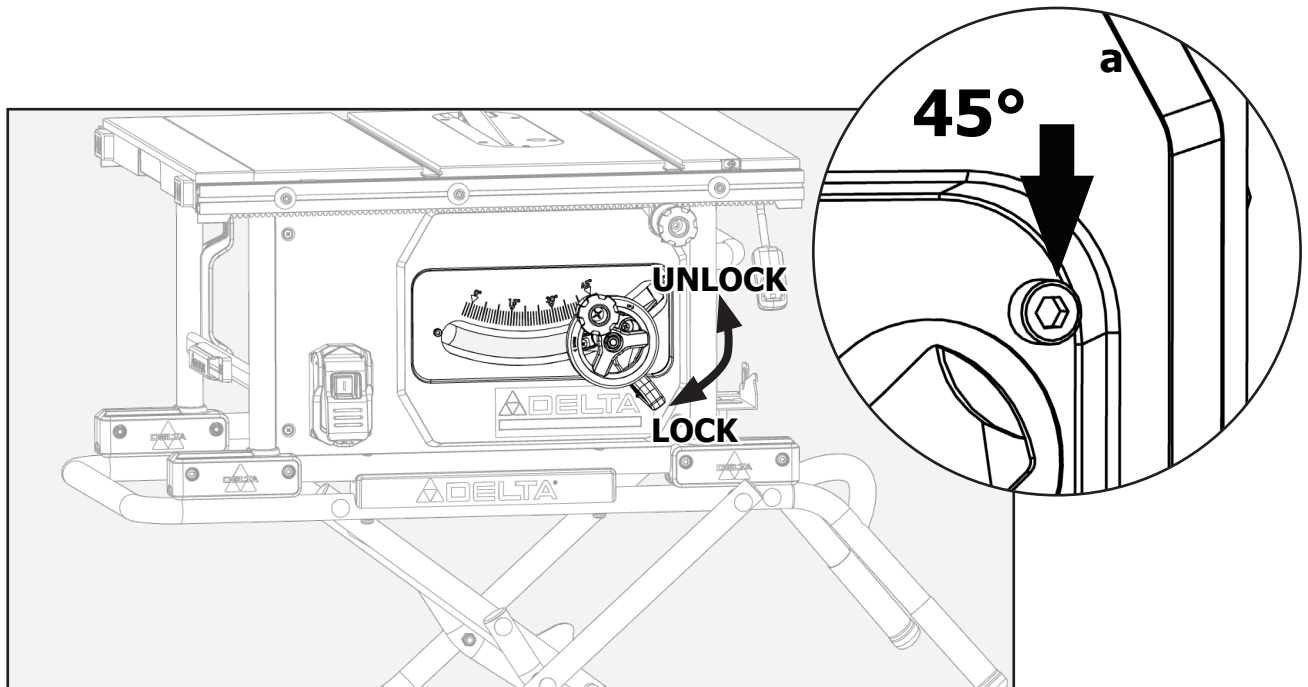


FIGURE 40

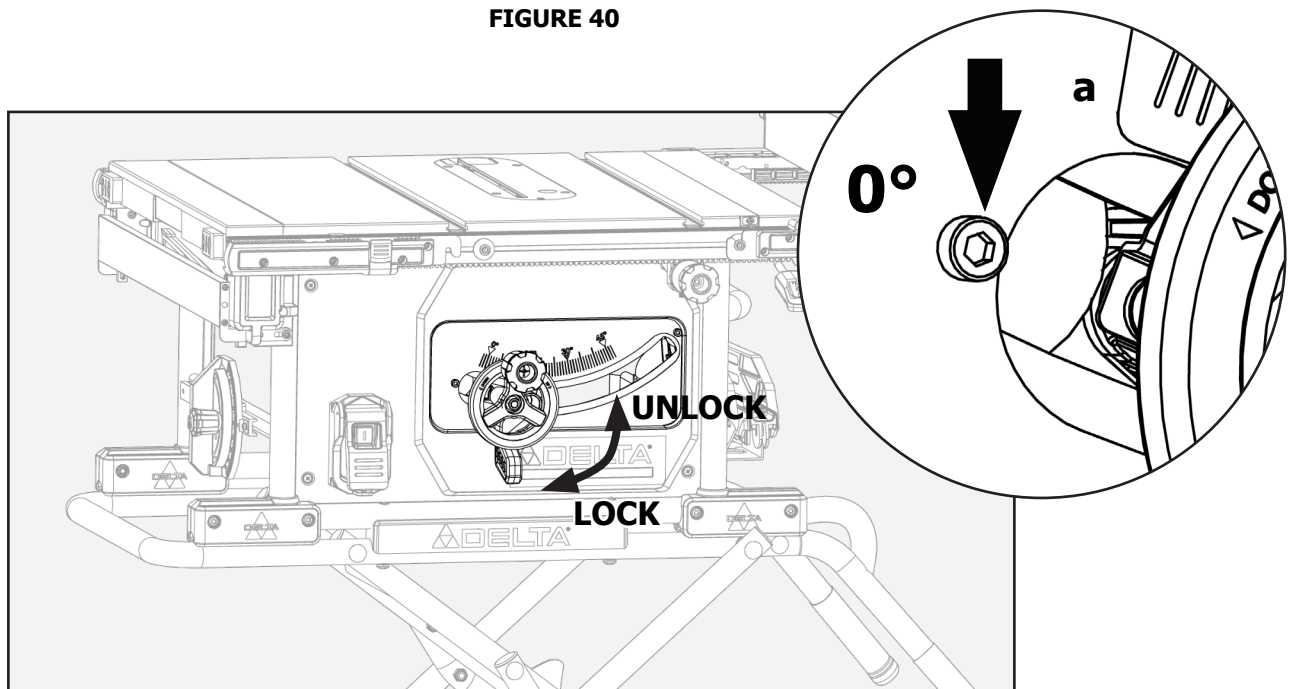


FIGURE 41

## ADJUSTING THE BEVEL STOPS

If the blade is not vertically square with the table, you must adjust the 0-degree positive stop located on the inside of the bevel track at the left end of the bevel track opening as shown in Figures 41 and 41a.

Unlock the bevel/height adjustment locking lever and position the adjustment wheel to the right in order to gain easy access to the 0-degree positive stop. Then lock the adjustment lever.

Turn the 0-degree positive stop set screw to right or left to adjust stop location.

Unlock the adjustment wheel, return the blade to the 0-degree position, making sure it makes contact with the positive stop, and re-lock the adjustment wheel in place.

Recheck the position of the blade to the table surface using a framing square (See "SQUARING THE BLADE VERTICALLY TO THE TABLE" ON THIS PAGE).

Continue repeating previous two steps until the blade is vertically square to the table.

You can use this same procedure in order to check the 45-degree positive stop, located at the far right end of the bevel track maximum 45°, just inside the bevel track opening as shown in Figures 40 & 40a.

# MAKING ADJUSTMENTS

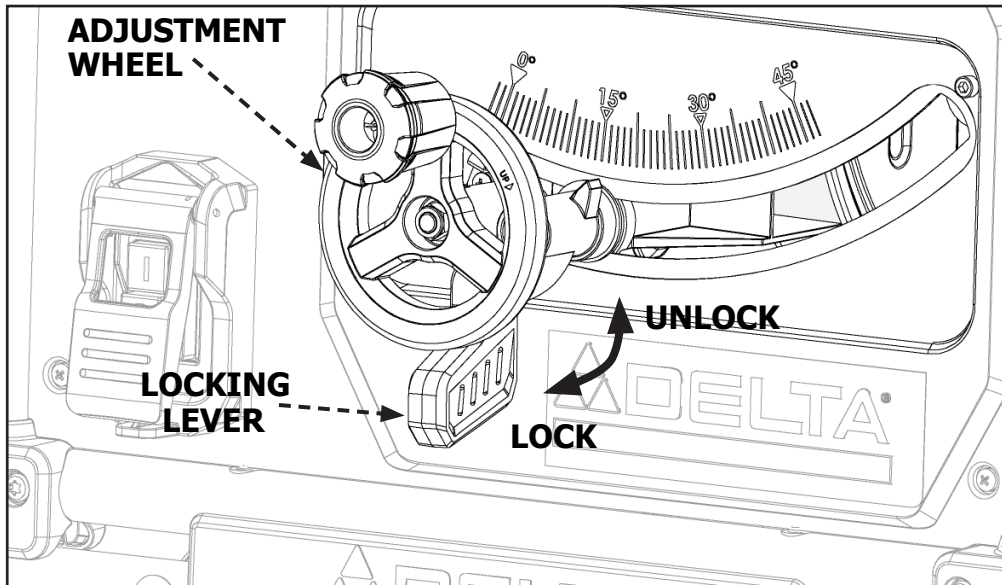


FIGURE 42

## ADJUSTING THE BLADE HEIGHT

For all through cuts, the top of the blade points should be above the workpiece and the bottom of the blade gullets are below the top surface of workpiece.

For non-through cuts, the top of the blade points should be set to the depth of the cut.

To adjust the height of the blade, refer to Figure 42 and do the following:

Make sure the bevel/height adjustment locking lever is in the locked position.

Adjust the blade height by turning the bevel/height adjustment wheel. Clockwise will raise the blade and counterclockwise lowers it.

---

## CHANGING THE BEVEL

Unlock the bevel/height adjustment locking lever by pulling it into the unlock position.

Holding knob/wheel, slide the bevel indicator to the desired angle.

When the blade is at desired angle, lock the bevel/height adjustment locking lever by pushing it down to the lock position.

See Figure 42.

# MAKING ADJUSTMENTS

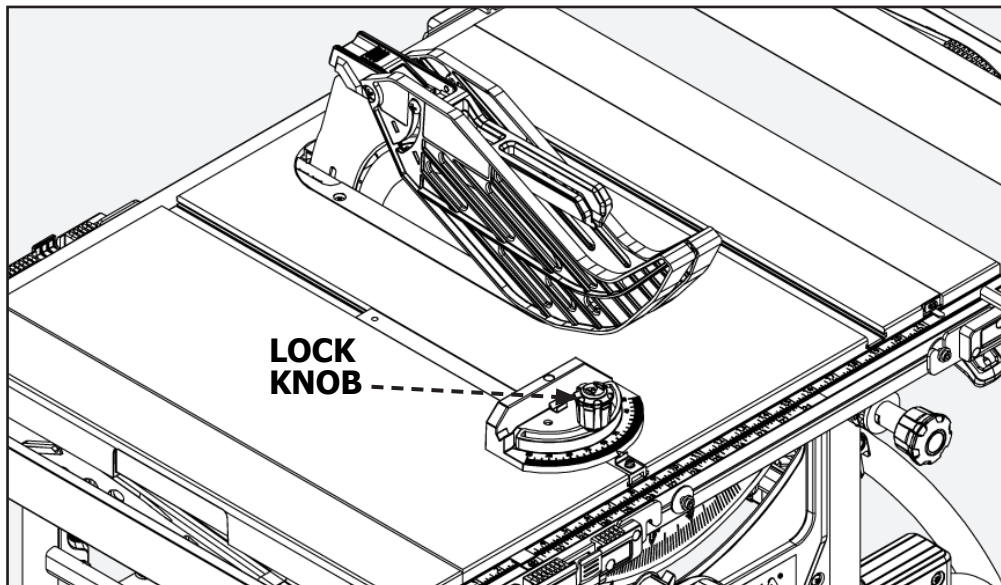


FIGURE 43

## USING THE MITER GAUGE

There are two miter gauge grooves, one on either side of the blade, maximum 30°. When making a 90° cross cut, use either groove. For beveled cross cut use the groove on right so that the blade is tilted away from miter gauge and hands.

Loosen the miter gauge lock knob. Rotate the gauge until desired angle on scale is reached. Retighten lock knob.

See Figure 43.

# MAKING ADJUSTMENTS

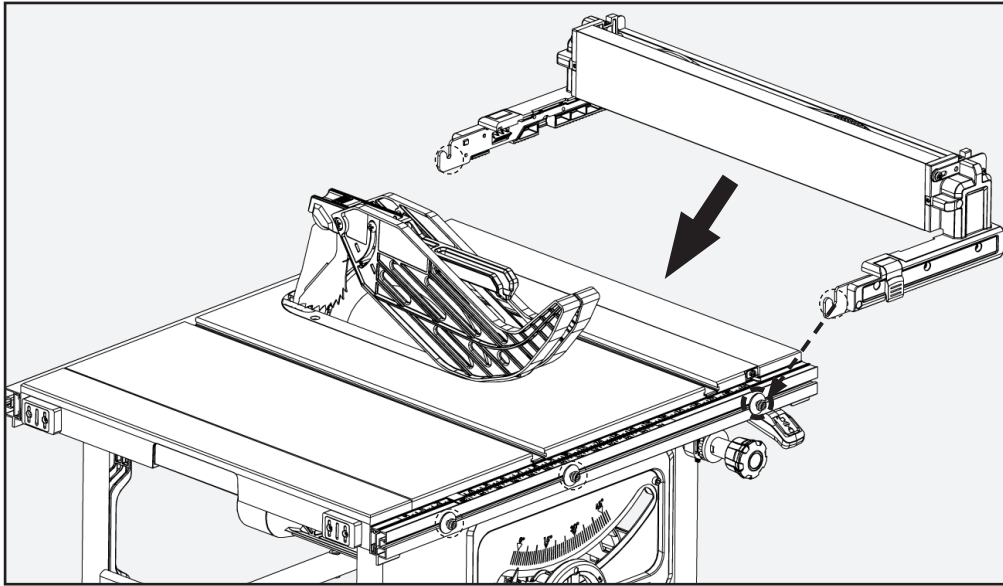


FIGURE 44

## Installing the Fence

The fence can be positioned on both the left and right side of the table.

- Tilt the fence at a slight angle.
- Insert the notch on both sides of the fence system into corresponding tabs on the rail system.
- Lower the fence until it locks into place.

See Figure 44.

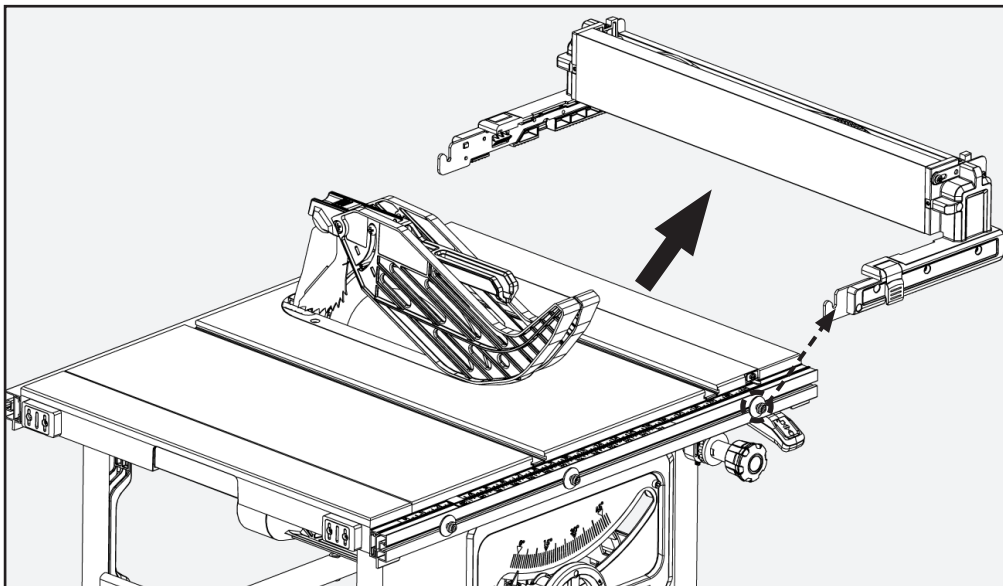


FIGURE 45

## Removing The Fence

- Lift the blue tabs on the fence.
- Tilt the fence at a slight angle.
- Remove notch on fence system from tabs on rail.

See Figure 45.

# MAKING ADJUSTMENTS

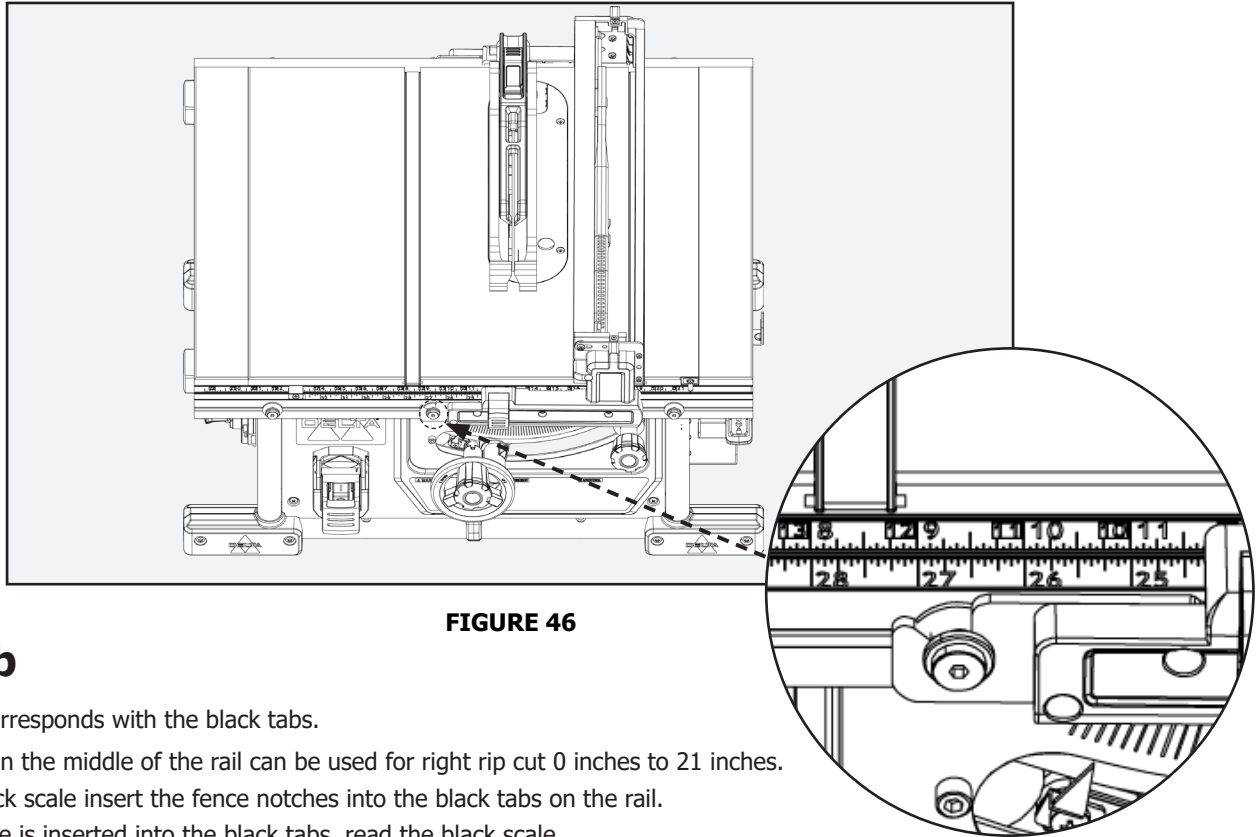


FIGURE 46

## Black Tab

The black scale corresponds with the black tabs.

- The black tab in the middle of the rail can be used for right rip cut 0 inches to 21 inches.
- To use the black scale insert the fence notches into the black tabs on the rail.
- When the fence is inserted into the black tabs, read the black scale.

See Figure 46.

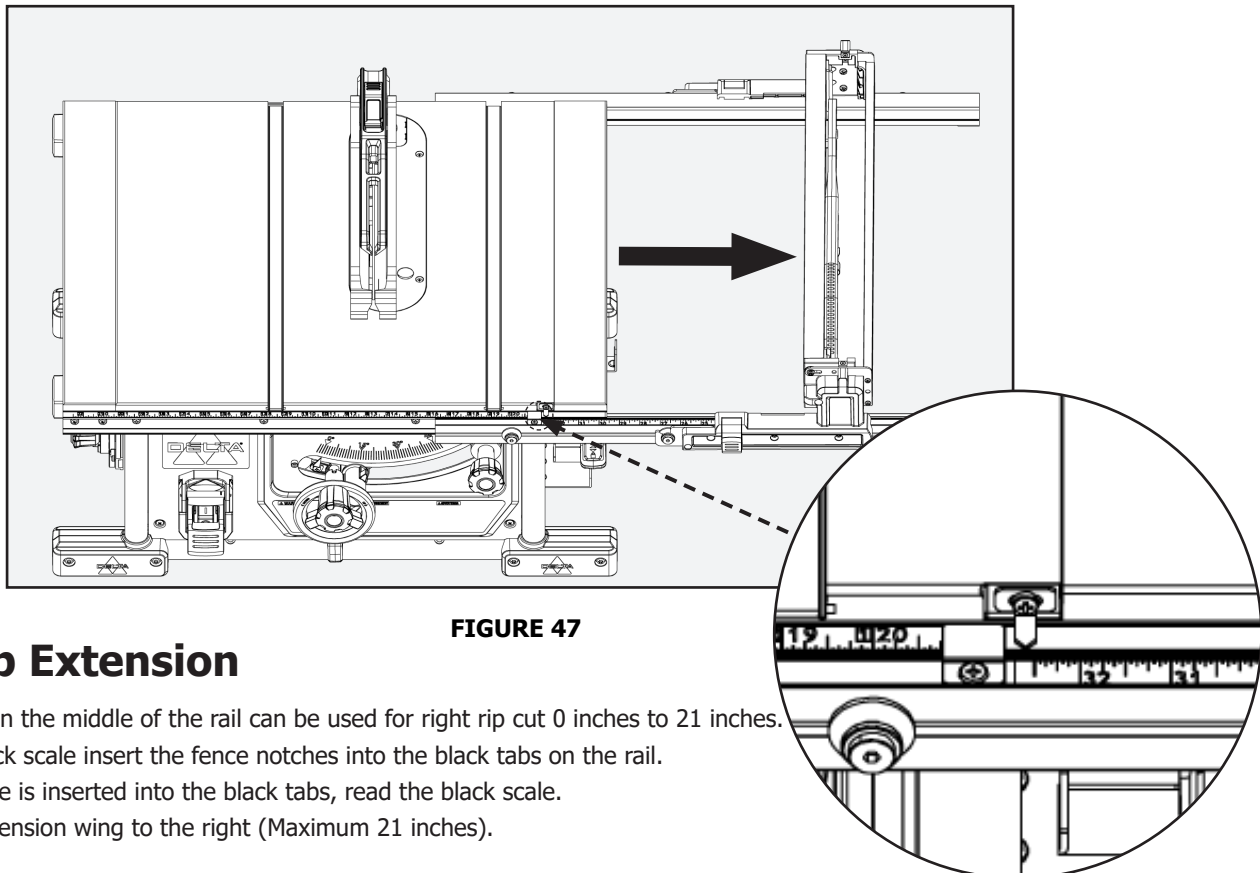


FIGURE 47

## Black Tab Extension

- The black tab in the middle of the rail can be used for right rip cut 0 inches to 21 inches.
- To use the black scale insert the fence notches into the black tabs on the rail.
- When the fence is inserted into the black tabs, read the black scale.
- Extend the extension wing to the right (Maximum 21 inches).

See Figure 47.

# MAKING ADJUSTMENTS

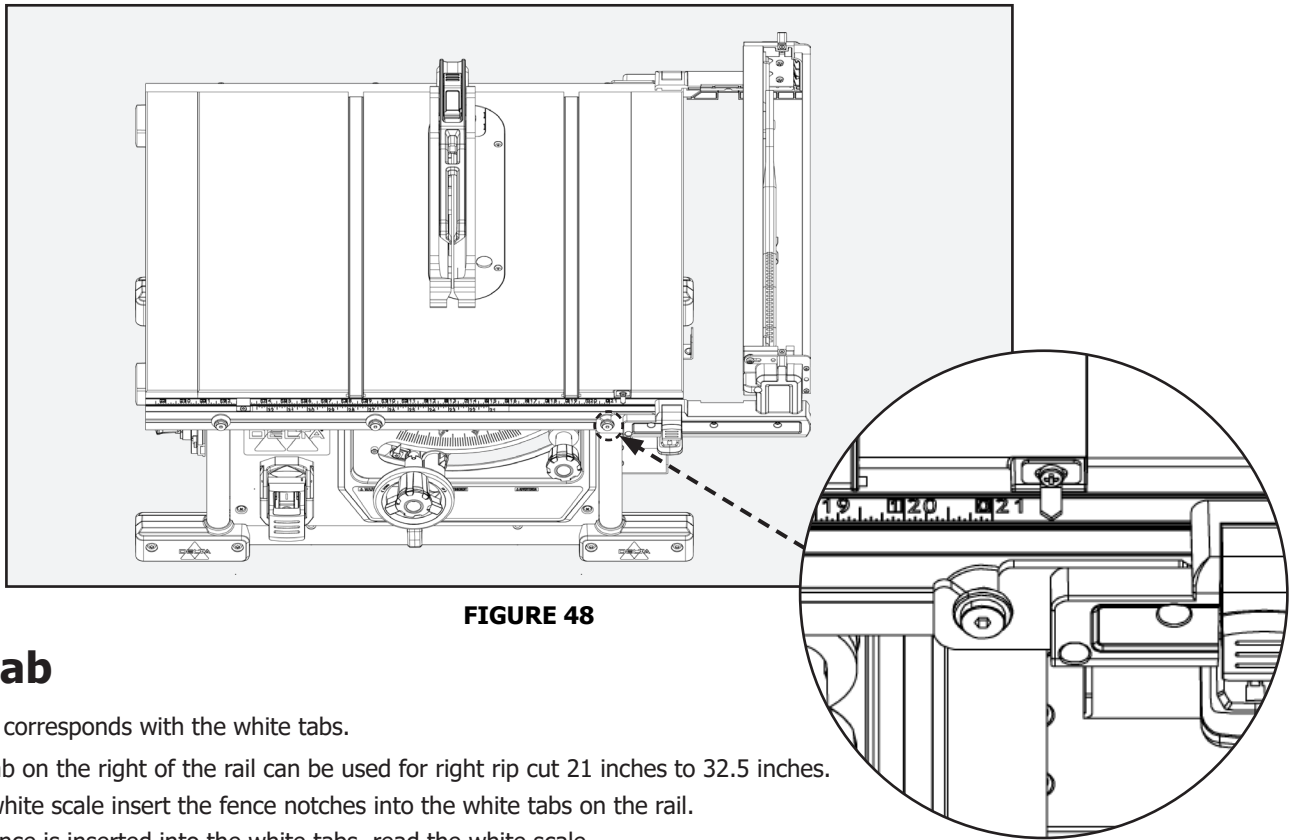


FIGURE 48

## White Tab

The white scale corresponds with the white tabs.

- The white tab on the right of the rail can be used for right rip cut 21 inches to 32.5 inches.
- To use the white scale insert the fence notches into the white tabs on the rail.
- When the fence is inserted into the white tabs, read the white scale.

See Figure 48.

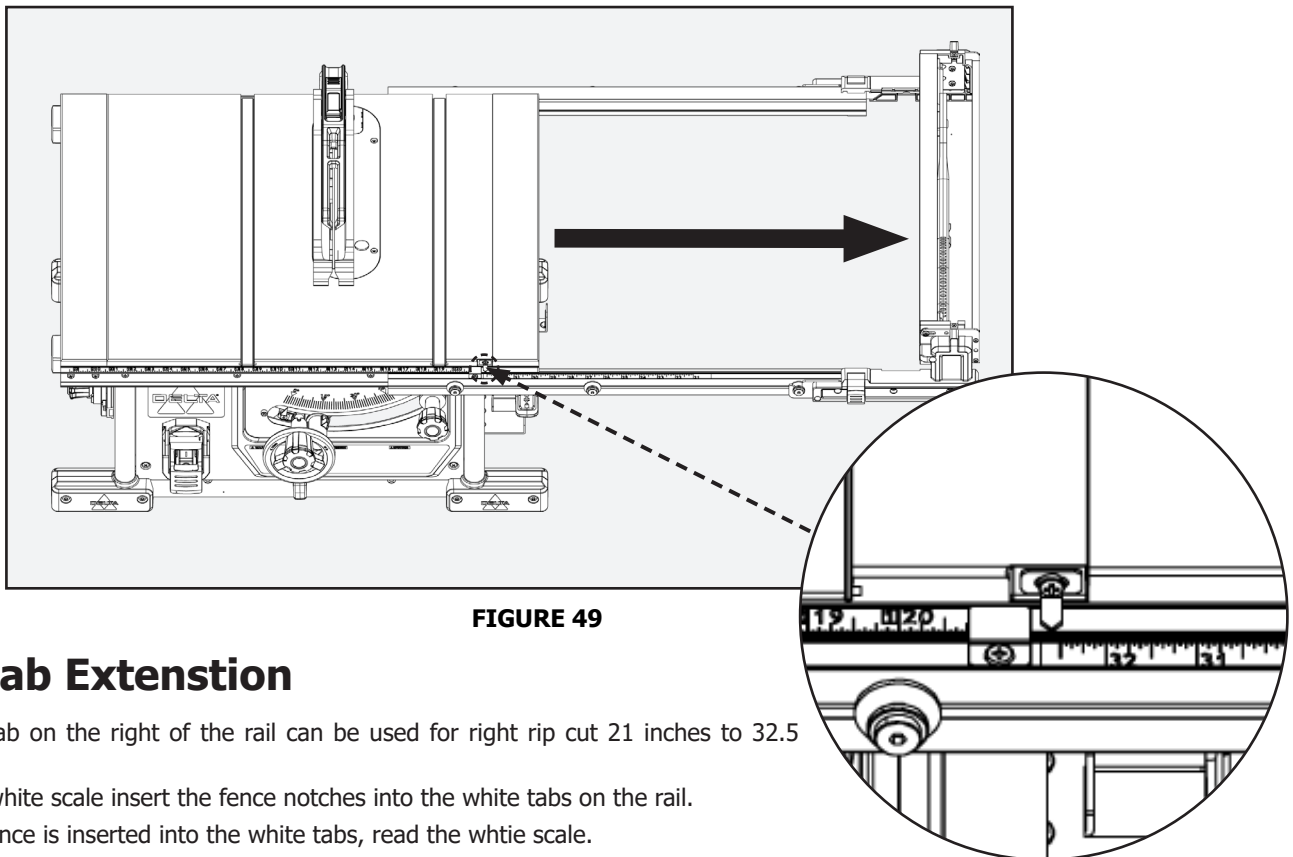


FIGURE 49

## White Tab Extension

- The white tab on the right of the rail can be used for right rip cut 21 inches to 32.5 inches.
- To use the white scale insert the fence notches into the white tabs on the rail.
- When the fence is inserted into the white tabs, read the white scale.
- Extend the extension wing to the right (Maximum 32.5 inches).

See Figure 49.

# MAKING ADJUSTMENTS

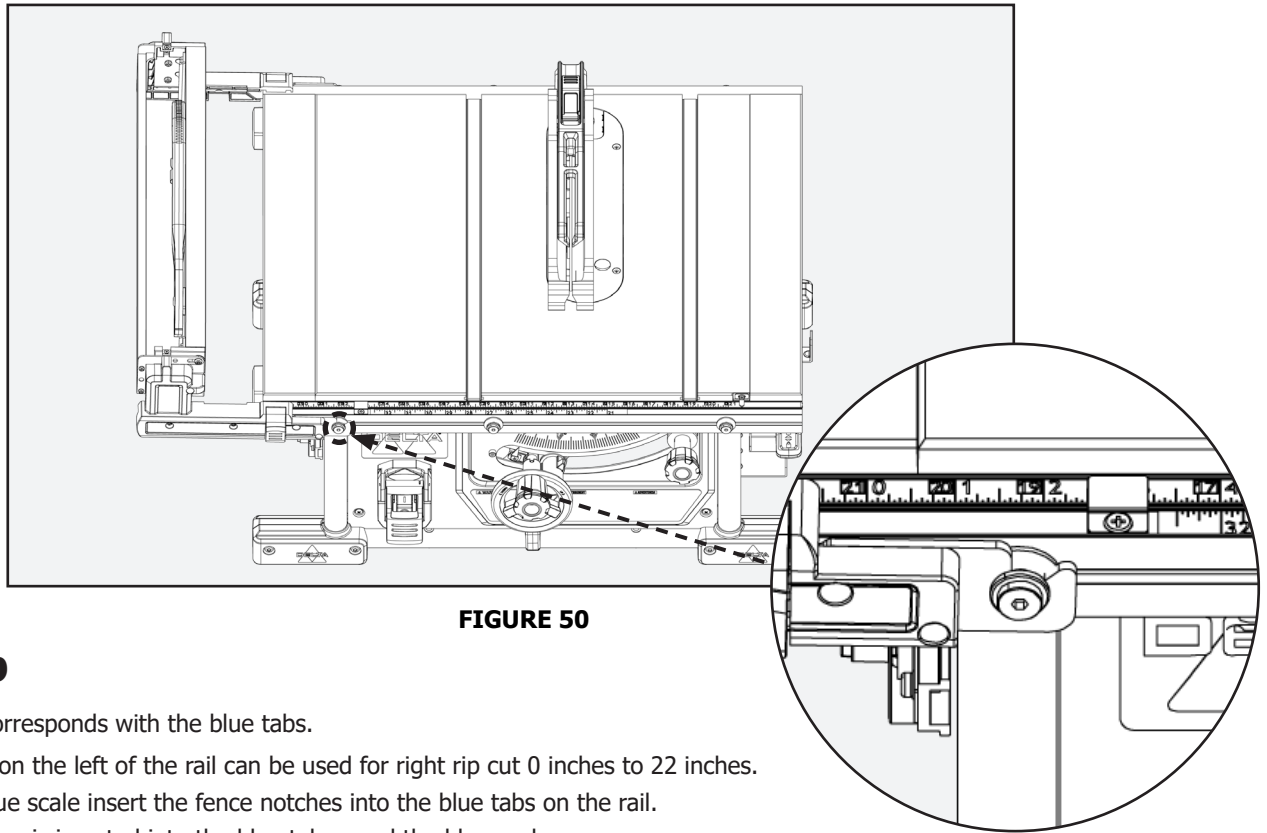


FIGURE 50

## Blue Tab

The blue scale corresponds with the blue tabs.

- The blue tab on the left of the rail can be used for right rip cut 0 inches to 22 inches.
- To use the blue scale insert the fence notches into the blue tabs on the rail.
- When the fence is inserted into the blue tabs, read the blue scale.

See Figure 50.

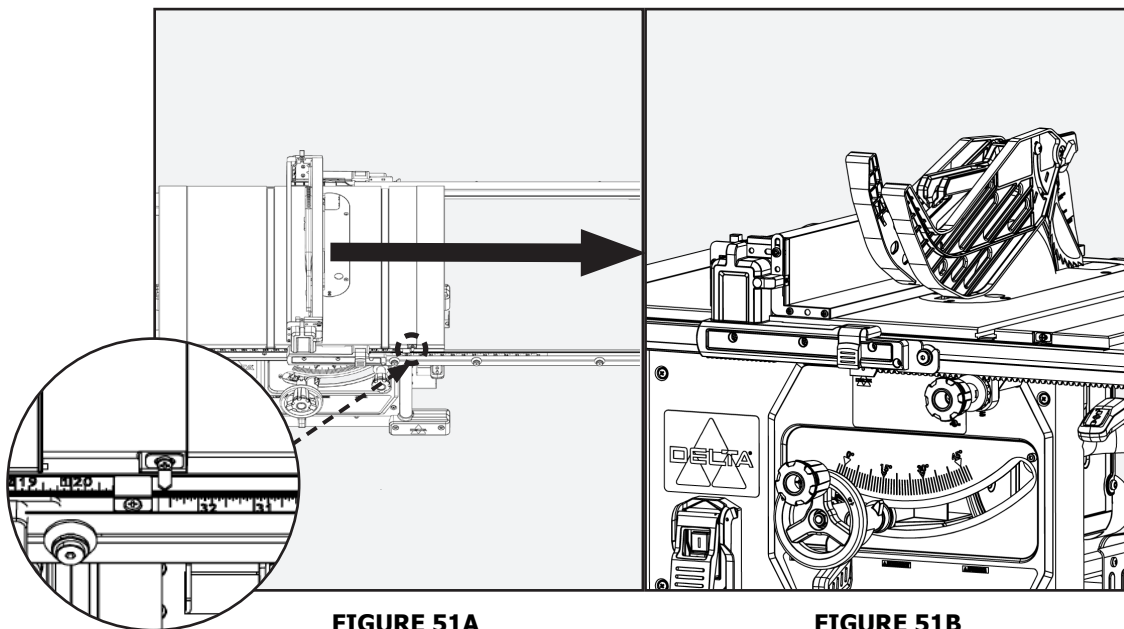


FIGURE 51A

FIGURE 51B

## Blue Tab Extension

- The blue tab on the left of the rail can be used for right rip cut 0 inches to 22 inches.
- To use the blue scale insert the fence notches into the blue tabs on the rail.
- When the fence is inserted into the blue tabs, read the blue scale.
- Extend the extension wing to the right (Maximum 22 inches).

See Figure 51A.

For thin materials use the fence on the left of the blade. Fold down the thin fence to allow use of the blade guard. Subtract 2 inches (50.8 mm) from the scale for accurate measurements.

See Figure 51B.

# MAKING ADJUSTMENTS

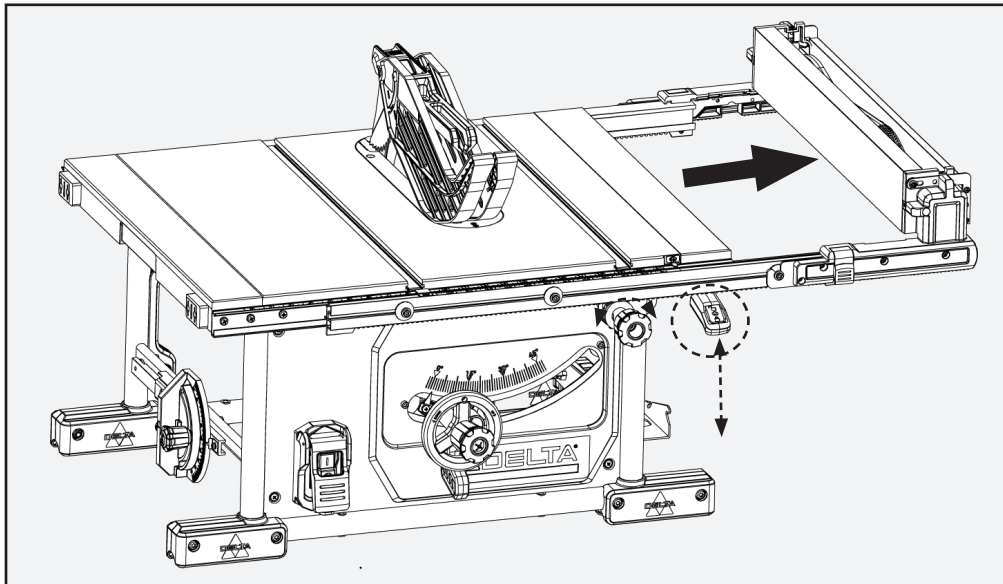


FIGURE 52

## Adjusting Rail System

- Lift rail lever lock to unlock position.
- Rotate extension knob until the desired cutting dimension is achieved.
- Push rail lever lock down to engage the lock.

See Figure 52.

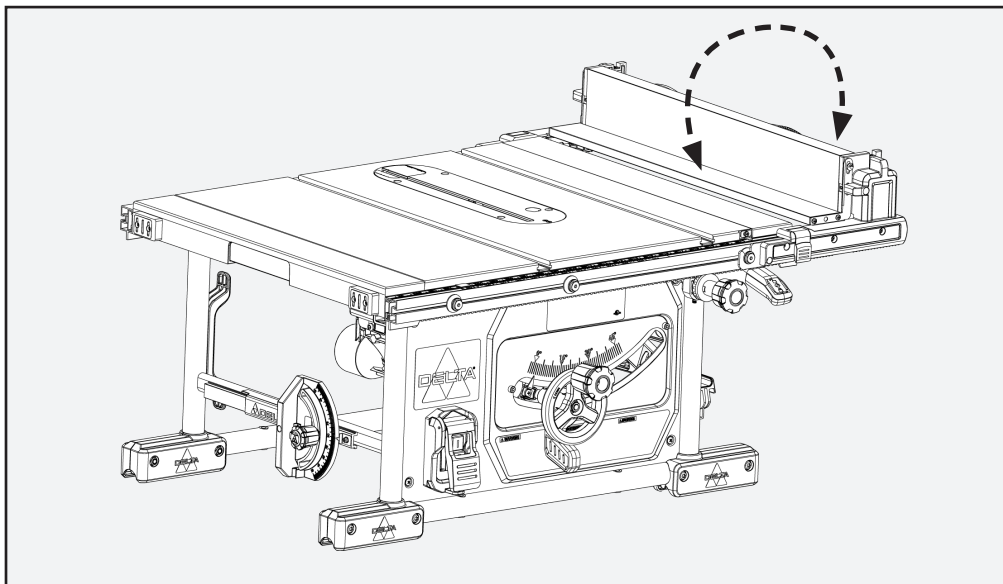


FIGURE 53

## Engaging Work Piece Support

When working with large pieces of material that extend beyond the table surface flip the work piece support towards the blade side of the table to provide proper support.

- Locate work piece support on right side of fence.
- Push up on work piece support to flip.
- Flip workpiece support over fence toward the blade side of table.
- Slide workpiece support into place on left side of fence until it is in line with the table.

See Figure 53.



# RIVING KNIFE POSITION AND ALIGNMENT

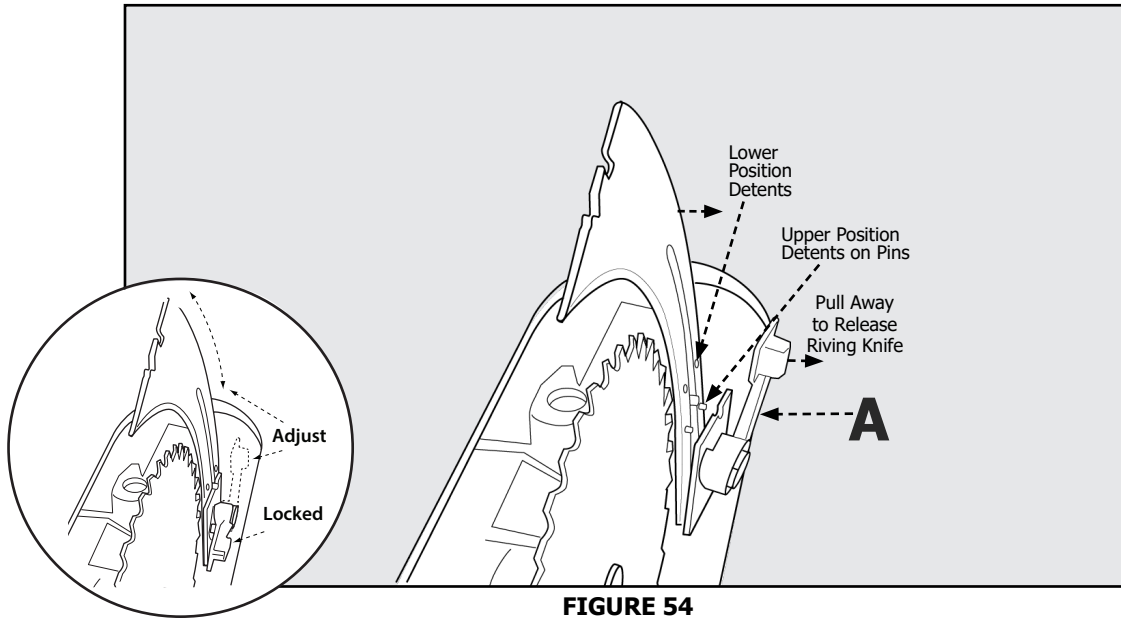


FIGURE 54

## RIVING KNIFE HEIGHT SETTINGS

The height of the riving knife should be adjusted based on the type of cut being made. For all through cuts (when the wood is completely severed), it should be in the raised position, with anti-kickback fingers and guard installed. For non-through cuts (when the blade does not penetrate the top of the workpiece), the riving knife should be in the lowered position and anti-kickback fingers and guard removed.

### TO RAISE OR LOWER THE RIVING KNIFE:

1. Remove the throat plate and raise blade to the full height above the table.
2. Locate the Locking Cam Lever near the base of the riving knife.
3. Rotate the Cam Lever by turning clockwise to unlock and release the riving knife from its locked position.
4. Using your hand positioned near the top of the knife, lean the knife outward away from the two locking pins beside its middle slot. This now frees the knife to slide into the upward/ cut through position.
5. Lift the knife upward along the sliding slot until you feel the new locking pins position.
6. Release the knife and it should snap into its new position; wiggle if necessary.
7. Return the locking cam lever to the locked position. If you have done this properly the riving knife will be aligned with the blade. If it is not retrace your steps until it does.

**NOTE: When adjusting the riving knife up or down, be sure to pull in a radial motion, as shown.**

**⚠ WARNING:** DO NOT operate saw unless riving knife is securely clamped in the raised position for through-cutting or the lowered position for non through-cutting.

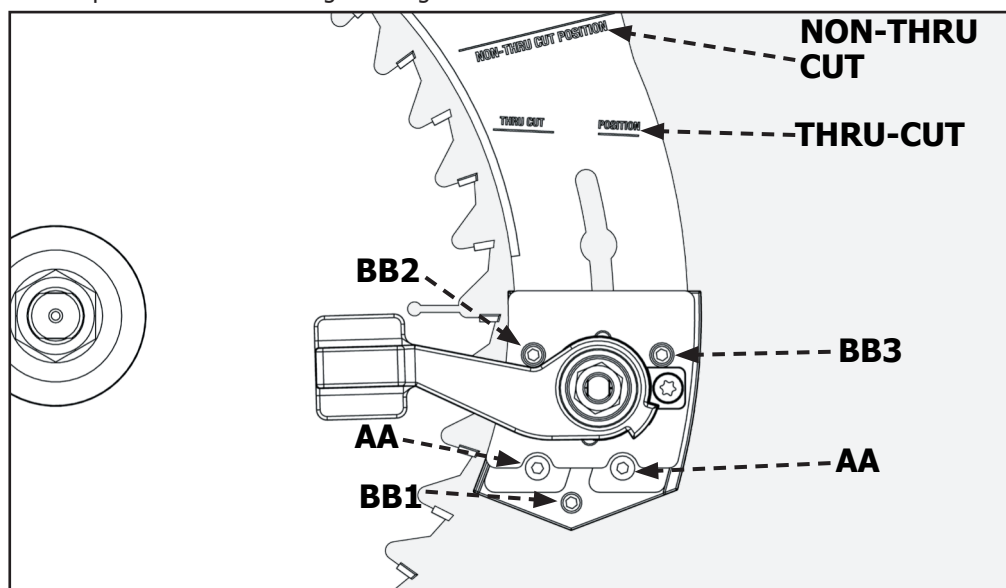


FIGURE 55

Location point for NON-THRU CUT POSITION.

**NOTE:** Riving knife is located in this position for "NON-THRU" cuts and is also in this position when packaged for shipment.

Location point for THRU CUT POSITION as shown in Figure 55. (Operator should adjust the riving knife to this position when making "THRU" cuts.)

**(NOTE:** You must locate the riving in THRU CUT position prior to making any alignment adjustments to the riving knife alignment to the blade.)

# RIVING KNIFE POSITION AND ALIGNMENT

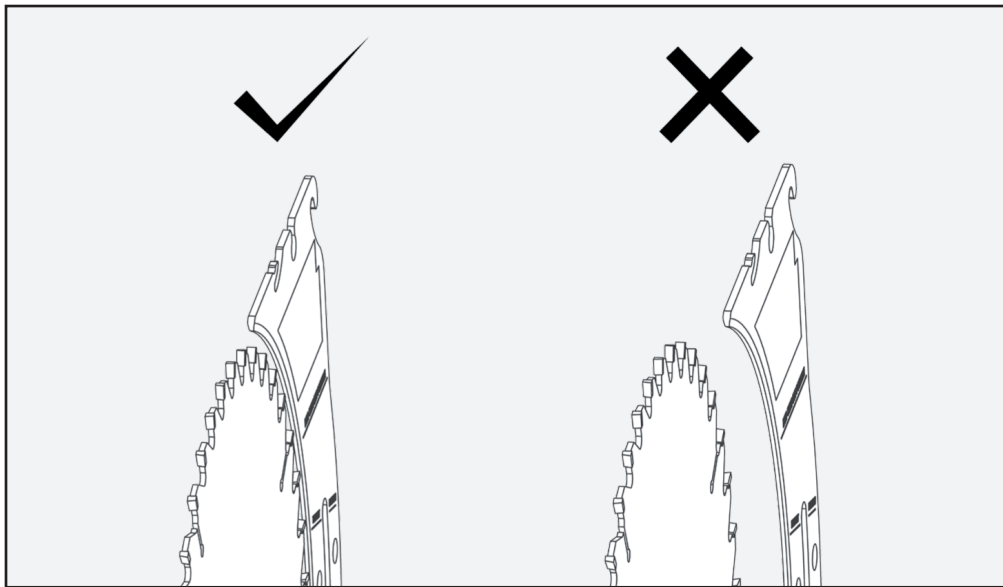


FIGURE 56

## RIVING KNIFE ALIGNMENT

### Parallel Alignment

The plane of the riving knife is parallel to the plane of the blade but the riving knife and the blade are not in line with each other. If a parallel adjustment is required use Figure 55 and Figure 56 to make the following adjustments:

1. Loosen the two hex socket head screws (AA).
2. Tighten or loosen the adjustment screw (BB1) to adjust the datum line of the riving knife to be aligned with the blade.
3. Adjust set screw (BB2) and (BB3), to assist with the alignment of the riving knife to be parallel to the blade.
4. Tighten hex socket head screws (AA).

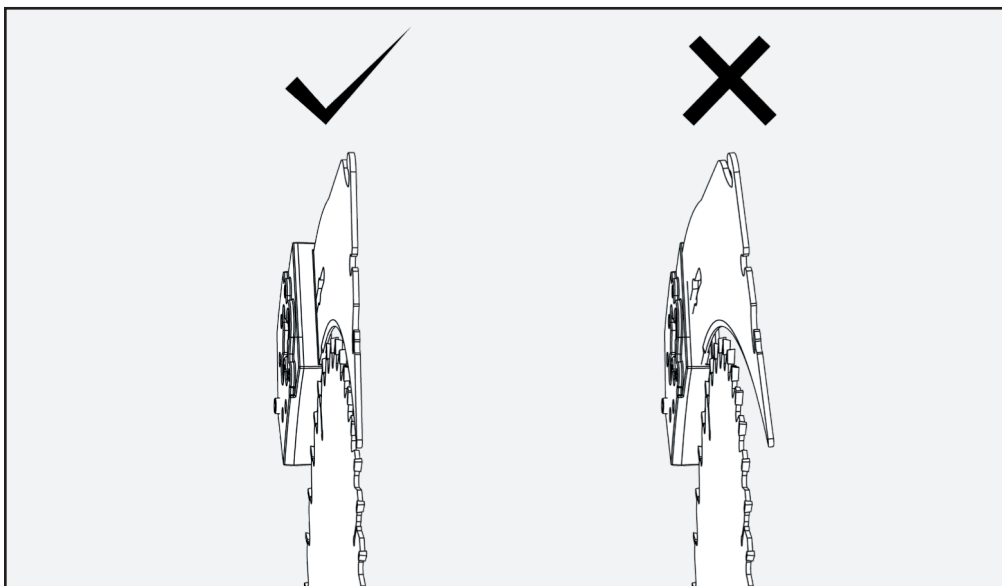


FIGURE 57

## HORIZONTAL ALIGNMENT

The plane of the riving knife appears to be twisted in comparison to the plane of the blade. (Can be seen looking straight down on the blade and riving knife.)

If the riving knife has horizontal misalignment, adjust as follows using Figure 55 and Figure 57.

1. Loosen the two hex socket head screws (AA).
2. Adjust screw (BB2) to align the riving knife to the blade, if still out of alignment then adjust (BB3) until proper alignment is achieved. Do not adjust (BB1).
3. Tighten screws (AA).

# RIVING KNIFE POSITION AND ALIGNMENT

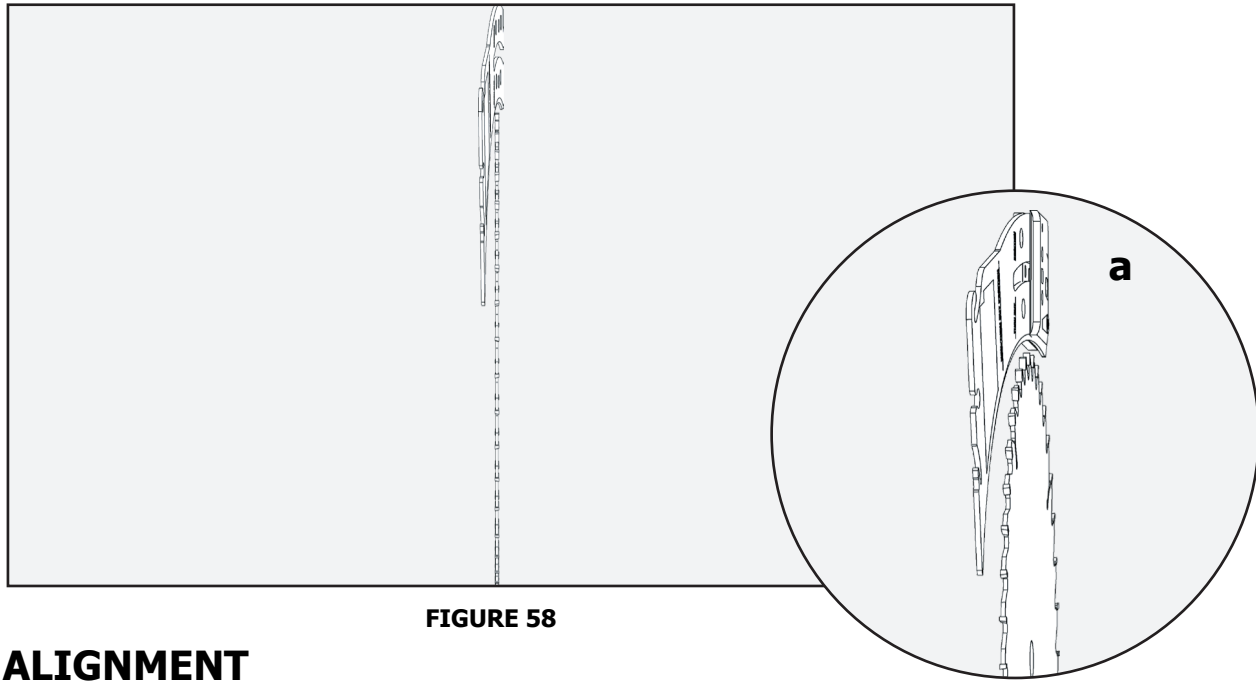


FIGURE 58

## VERTICAL ALIGNMENT

The plane of the riving knife appears to be twisted in comparison to the plane of the blade from the bottom of the riving knife to top of the riving knife. (Can be seen looking from the front of the saw.)

If the riving knife has vertical misalignment, adjust as follows using Figure 55 and Figure 58.

1. Loosen the two hex socket head screws (AA)
2. Make adjustments to (BB2) and (BB3), to align riving knife to the blade. No adjustment is needed for (BB1).
3. Tighten screws (AA).

# MAINTENANCE

**⚠ WARNING:** To reduce the risk of injury, turn unit off and disconnect it from power source before cleaning or servicing, before installing and removing accessories, before adjusting and when making repairs. An accidental start-up can cause injury.

## KEEP MACHINE CLEAN

Periodically blow out all air passages with dry compressed air. All plastic parts should be cleaned with a soft damp cloth. **NEVER** use solvents to clean plastic parts. They could possibly dissolve or otherwise damage the material.

**⚠ WARNING:** Wear certified safety equipment for eye, hearing and respiratory protection while using compressed air.

For best performance use a shop vacuum or blower to keep saw blade area, the dust collection system, the guarding system and rails free of saw dust and other debris.

## MAINTENANCE REMINDERS

**⚠ WARNING:**

Wear certified safety equipment for eye, hearing and respiratory protection while using compressed air.

Specific areas which require regular maintenance include:

**RIVING KNIFE CLAMP PLATE:** Keep this area free of dust and debris buildup. Blow out area regularly with compressed air.

**NOTE:** If the riving knife clamp can't move freely, have the saw serviced by authorized Delta Power Equipment Corporation service center personnel.

**WORM GEARS:** Keep the bevel gears free of dust and debris buildup. Blow out area regularly with compressed air. Use a lithium-based multipurpose grease as needed on these gears.

**CLEAN SAWDUST BUILDUP OUT OF CABINET PERIODICALLY:** **NOTE:** Debris can also be removed from the saw from below the throat plate, inside the dust port.

# TROUBLESHOOTING

For assistance with your machine, visit our website at [www.DeltaMachinery.com](http://www.DeltaMachinery.com) for a list of service centers or call Delta Power Equipment Corporation Customer Care at 1-800-223-7278.

## FAILURE TO START

If your machine fails to start, check to make sure the prongs on the cord plug are making good contact in the receptacle, and check reset button on power switch housing. Also, check for blown fuses or open circuit breakers in your power line.

# ACCESSORIES

For accessories please visit our Web Site for an on-line catalog or for the name of your nearest supplier.

**▲ WARNING:** Since accessories other than those offered by DELTA® have not been tested with this product, use of such accessories could be hazardous. For safest operation, only DELTA® recommended accessories should be used with this product

## PARTS, SERVICE OR WARRANTY ASSISTANCE

All DELTA® Machines and accessories are manufactured to high quality standards and are serviced by a network of an Authorized Service Centers. To obtain additional information regarding your product or to obtain parts, service, warranty assistance, or the location of the nearest service center, please call 1-800-223-7278.

### FIVE YEAR LIMITED WARRANTY

**1. WHAT IS COVERED.** Delta Power Equipment Corporation ("Company") will, at its option, repair or replace this product, if purchased at retail in the United States or Canada and the product, with normal use, has proven to be defective in workmanship or material, subject to the conditions stated in this Limited Warranty. This Limited Warranty covers only materials and labor. All transportation costs are Customer's responsibility.

**2. WARRANTY PERIOD.** All warranty claims must be submitted within five years from the date of retail purchase. For all service parts and factory refurbished products, the warranty period is 180 days.

**3. HOW TO OBTAIN SERVICE.** To obtain warranty service, you must return the defective product, at your expense, to a service center authorized by Company to perform warranty service (a "Company Authorized Service Center") within the applicable warranty period, together with acceptable proof of purchase, such as your original receipt bearing the date of purchase, or product registration number. Company reserves the right to restrict warranty claim service to the country where the purchase was made and/or to charge for the cost to export service parts or provide warranty service in a different country. For this purpose, on-line purchases are deemed made in the United States. For the location of your nearest Company Authorized Service Center, call Company's Customer Care Center at (800) 223-7278.

#### 4. EXCLUSIONS.

- Company does not offer any warranty on products purchased in used or damaged condition.
- Company does not warrant any products purchased outside the United States or Canada.
- Company will not be responsible for any damage that has resulted from normal wear, misuse, abuse or any repair or alteration made by anyone other than a Company Authorized Service Center or a designated representative of Company's Customer Care Center.

**All IMPLIED WARRANTIES** are expressly limited to the warranty period identified above.

**Company will not be liable for INCIDENTAL OR CONSEQUENTIAL** damages.

This limited warranty is Company's sole warranty and sets forth the customer's exclusive remedy with respect to defective products; all other warranties, express or implied, whether of merchantability, fitness for purpose, or otherwise, are expressly disclaimed by Company, except as expressly stated in this warranty statement.

Some states do not allow the exclusion or limitation of incidental or consequential damages, or the limitation of implied warranties, so the above limitations or exclusions may not apply to you. This warranty gives you specific legal rights and you may have other rights which vary in certain states or provinces. For further details of warranty coverage and warranty repair information, call (800) 223-7278. To register your products on-line, we encourage you to visit our website and register for a FREE DELTA® Member Account at <http://www.deltamachinery.com/register>.

**LATIN AMERICA:** This warranty does not apply to products sold in Latin America. For products sold in Latin America, call the local company or see website for warranty information.

## REPLACEMENT PARTS

This power tool is provided with Type Y attachment power supply cord. If the replacement of the SUPPLY CORD is necessary, this has to be done by the manufacturer or his agent in order to avoid a safety hazard. Use only identical replacement parts. For a parts list or to order parts, visit our website at [www.DeltaMachinery.com/service](http://www.DeltaMachinery.com/service). You can also order parts from your nearest Authorized Warranty Service Center or by calling Technical Service Manager at 1-800-223-7278 to receive personalized support from one of our highly-trained representatives.

## FREE WARNING LABEL REPLACEMENT

If your warning labels become illegible or are missing, call 1-800-223-7278 for a free replacement.

## SERVICE AND REPAIRS

All quality tools will eventually require servicing and/or replacement of parts. For information about Delta Power Equipment Corporation, its factory-owned branches, or to locate an Authorized Warranty Service Center, visit our website at [www.DeltaMachinery.com/service](http://www.DeltaMachinery.com/service) or call Customer Care at 1-800-223-7278. All repairs made by our service centers are fully guaranteed against defective material and workmanship. We cannot guarantee repairs made or attempted by others. By calling this number you can also find answers to most frequently asked questions 24 hours/day. You can also write to us for information at Delta Power Equipment Corporation, 2651 New Cut Road, Spartanburg, SC 29303 Attention: Technical Service Manager. Be sure to indicate all of the information shown on the nameplate of your saw (model number, type, serial number, date code, etc.).

# TABLE DES MATIÈRES

<b>DESCRIPTION DU FONCTIONNEMENT.....</b>	<b>46</b>	<b>EFFECTUER DES COUPES.....</b>	<b>70</b>
<b>CONSIGNES IMPORTANTES DE SÉCURITÉ .....</b>	<b>47</b>	COUPES LONGITUDINALES .....	71
<b>SYMBOLES DE SÉCURITÉ - DÉFINITIONS.....</b>	<b>47</b>	COUPE LONGITUDINALE EN BISEAU.....	71
<b>AVERTISSEMENTS DE SÉCURITÉ GÉNÉRAUX POUR</b>		COUPES TRANSVERSALES .....	72
<b>OUTILS ÉLECTRIQUES.....</b>	<b>48</b>	COUPES TRANSVERSALES EN BISEAU .....	72
<b>RÈGLES DE SÉCURITÉ DE LA SCIE CIRCULAIRE À</b>		COUPES D'ONGLETS.....	72
<b>TABLE.....</b>	<b>49</b>	COUPES D'ONGLETS COMPOSÉES .....	73
TERMINOLOGIE.....	49	COUPES DE GRANDS PANNEAUX .....	73
RÈGLES DE SÉCURITÉ GÉNÉRALES POUR LES OUTILS		COUPES INCOMPLÈTES .....	73
ÉLECTRIQUES.....	49	EFFECTUER UNE COUPE INCOMPLÈTE.....	73
MONTAGE DU PROTÈGE-LAME, DES GRIFFES ANTI-		<b>AIDES DE COUPE ET ACCESSOIRES.....</b>	<b>74</b>
REBOND ET DU COUTEAU DIVISEUR .....	51	POUSSOIR.....	74
REBONDS.....	51	FACE DE GUIDE D'ONGLET AUXILIAIRE.....	75
<b>PROPOSITION 65 AVERTISSEMENT .....</b>	<b>52</b>	BLOC POUSSOIR.....	75
<b>BRANCHEMENTS D'ALIMENTATION .....</b>	<b>52</b>	CALE-GUIDE.....	76
SOURCE D'ALIMENTATION .....	52	GABARITS.....	76
RALLONGES.....	52	<b>EFFECTUER DES RÉGLAGES.....</b>	<b>77</b>
<b>DÉBALLAGE .....</b>	<b>53</b>	MISE À NIVEAU DE LA PLAQUE À GORGE.....	77
DESCRIPTION DU CONTENU DE L'EMBALLAGE		ÉQUERRAGE LA LAME VERTICALEMENT À LA	
(QTÉ).....	53	TABLE.....	77
CONTENU DES SACS DE MATÉRIEL .....	54	RÉGLAGE DES CAMES DE BUTÉE.....	78
<b>MONTAGE .....</b>	<b>54</b>	RÉGLAGE DE LA HAUTEUR DE LA SCIE.....	79
MONTAGE DU SUPPORT.....	55	CHANGEMENT DU BISEAU.....	79
FIXER LA SCIE À L'ENSEMBLE DU SUPPORT.....	59	UTILISATION DU GUIDE D'ONGLET.....	80
INSTALLATION DU BOUTON DE RÉGLAGE DE		INSTALLATION DE LA CLÔTURE.....	81
HAUTEUR.....	60	UTILISATION D'ÉCHELLES CODÉES EN COULEURS.....	82
LAME ET PROTECTIONS .....	61	AJUSTER LE SYSTEME FERROVIAIRE.....	85
FIXER LA LAME .....	61	<b>POSITION ET ALIGNEMENT DU COUTEAU DIVISEUR..</b>	<b>86</b>
INSÉRER LA PLAQUE À GORGE .....	63	ENSEMBLE DE HAUTEUR DE COUTEAU DIVIN.....	86
GRIFFES ANTI-REBOND ET PROTÈGE-LAME.....	65	ALIGNEMENT DU COUTEAU DIVISEUR.....	87
PROTÈGE-LAME.....	66	<b>ENTRETIEN.....</b>	<b>89</b>
RANGEMENT.....	67	<b>DÉPANNAGE.....</b>	<b>89</b>
<b>FONCTIONNEMENT.....</b>	<b>68</b>	<b>ACCESSOIRES.....</b>	<b>90</b>
METTRE EN MARCHÉ ET ARRÊTER LA SCIE .....	69	<b>GARANTIE.....</b>	<b>90</b>
TRANSPORT DE LA SCIE .....	69	<b>FRANÇAIS.....</b>	<b>46</b>
		<b>ESPANOL .....</b>	<b>91</b>

## DESCRIPTION DU FONCTIONNEMENT

La scie sur table Contractor DELTA® de 10 pouces no. de série 36-6023 est conçue pour la portabilité et une performance de haute qualité. Elle comprend : la machine de base, un support en acier tubulaire solide, une chute à poussière de 2 1/2 po, un système de guide en T, un guide d'onglets avec fente en T, un moteur de 15 ampères, un interrupteur marche/arrêt, une table en fonte d'aluminium, une aile d'extension, un protège-lame transparent avec griffes anti-rebond et une lame au carbure de 10 po.

**Cet outil ne peut être utilisé qu'avec des lames de scie à bois.**

## FICHE TECHNIQUE

Profondeur de coupe maximale à 90 :	3-1/2 po
Profondeur de coupe maximale à 45 :	2-1/2 po
Refente max. à droite de la lame	32.5 po
Refente max. à gauche de la lame :	22 po
<b>CARACTÉRISTIQUES TECHNIQUES DU MOTEUR</b>	
Amps	15 ampères
TENSION	120 Volts

**AVIS :** La couverture du guide d'utilisation illustre le modèle du produit actuel. Toutes les autres illustrations contenues dans le guide sont uniquement à titre indicatif et peuvent ne pas être des représentations exactes de l'étiquetage réel ou des accessoires inclus. Elles sont destinées à titre indicatif seulement.

# CONSIGNES IMPORTANTES DE SÉCURITÉ

**⚠ AVERTISSEMENT** **LIRE ATTENTIVEMENT ET SUIVRE TOUS LES AVERTISSEMENTS ET INSTRUCTIONS SUR VOTRE PRODUIT ET DANS CE GUIDE. CONSERVEZ CE GUIDE. S'ASSURER QUE TOUS LES UTILISATEURS SONT FAMILIERS AVEC LES AVERTISSEMENTS ET INSTRUCTIONS LORS DE L'UTILISATION DE L'OUTIL.** Un mauvais fonctionnement, un mauvais entretien ou une modification des outils ou du matériel peuvent entraîner des blessures graves et/ou des dommages matériels.

## SYMBOLES DE SÉCURITÉ - DÉFINITIONS

Ce guide contient des informations qu'il est important que vous connaissiez et compreniez. Ces informations concernent VOTRE SÉCURITÉ et la PRÉVENTION DE PROBLÈMES AVEC L'ÉQUIPEMENT. Pour vous aider à reconnaître ces informations, nous utilisons les symboles ci-dessous. Veuillez lire le guide et prêter attention à ces sections.

**⚠ DANGER:** Indique une situation dangereuse imminente qui, si elle n'est pas évitée, entraînera la mort ou des blessures graves.

**⚠ AVERTISSEMENT** Indique une situation dangereuse potentielle qui, si elle n'est pas évitée, pourrait entraîner la mort ou des blessures graves.

**⚠ MISE EN GARDE :** Indique une situation dangereuse potentielle qui, si elle n'est pas évitée, pourrait entraîner des blessures mineures ou modérées.

**MISE EN GARDE :** L'utilisation sans le symbole d'alerte de sécurité indique une situation potentiellement dangereuse qui, si elle n'est pas évitée, pourrait entraîner des dommages matériels.

Certains des symboles ci-dessous peuvent être utilisés sur l'outil. Veiller à les étudier et à apprendre leur signification. Une interprétation correcte de ces symboles permettra d'utiliser l'outil plus efficacement et de réduire les risques.		
SYMBOLE	NOM	DÉSIGNATION / EXPLICATION
	Symbole d'alerte de sécurité	Indique un risque de blessure potentiel.
	Lire le manuel d'utilisation	Pour réduire les risques de blessures, l'utilisateur doit lire et veiller à bien comprendre le manuel d'utilisation avant d'utiliser ce produit.
	Protection oculaire	Toujours porter une protection oculaire avec écrans latéraux certifiée conforme à la norme ANSI Z87.1.
	Symbole Mains à l'écart	Le non-respect de cette mise en garde peut entraîner des blessures graves.
	Avertissement concernant l'humidité	Ne pas exposer à la pluie ou l'humidité.
	Avertissement de pincement	Faites toujours attention au mouvement, surtout là où il y a risque du pincement.
V	Volts	Tension
A	Ampères	Intensité
Hz	Hertz	Fréquence (cycles par seconde)
min	Minutes	Temps
~	Courant alternatif	Type de courant
n <sub>0</sub>	Vitesse à vide	Vitesse de rotation à vide
.../min	Par minute	Tours, coups, vitesse périphérique, orbites, etc., par minute
A.C	Courant alternatif	Type de courant
Kg	kilogrammes	Unité de poids
RPM	Révolutions par minute	Vitesse de rotation de la machine
	Double Isolation	Pour réduire les risques d'électrocution, cet appareil est doté d'une fiche polarisée (une lame est plus large que l'autre). Cette fiche ne peut être insérée dans une prise polarisée. Si la fiche ne s'insère pas complètement dans la prise, inversez-la. Si le problème persiste, contactez un électricien qualifié pour installer la prise appropriée. NE PAS changer la fiche de quelque façon que ce soit.

# AVERTISSEMENTS DE SÉCURITÉ GÉNÉRAUX POUR OUTILS ÉLECTRIQUES

**⚠ AVERTISSEMENT :** Lisez tous les avertissements, instructions, illustrations et spécifications fournis avec cet outil électrique. Le non-respect de toutes les instructions citées ci-dessous peut causer une décharge électrique, un incendie ou une blessure grave.

Conservez tous les avertissements et instructions pour consultation future.

Le terme « outil électrique » dans les avertissements désigne votre outil électrique qui fonctionne avec l'alimentation du secteur (avec fil) ou celui qui fonctionne avec une PILE (sans fil).

## 1. Sécurité de l'espace de travail

- Tenez votre espace de travail propre et bien éclairé.** Un endroit encombré et mal éclairé provoque les accidents
- Ne faites pas fonctionner l'outil électrique en présence de risque d'explosion; par exemple, dans le cas à proximité de liquides, gaz ou poussières inflammables.** Les outils électriques génèrent des étincelles susceptibles d'enflammer le liquide, les poussières ou les vapeurs.
- Ne permettez pas à des enfants ou des observateurs de rester proches lorsque vous faites fonctionner un outil électrique.** Les distractions peuvent vous faire perdre le contrôle.

## 2. Sécurité électrique

- Les fiches de l'outil doivent correspondre à la prise. Ne modifiez jamais la fiche d'aucune façon. N'utilisez pas d'adaptateurs avec les outils électriques mis à terre.** Les fiches non modifiées et les prises appropriées réduisent les risques de décharges électriques.
- Évitez de toucher à des surfaces mises à terre telles que les tuyaux, les calorifères, les cuisinières et les réfrigérateurs.** Le risque de décharges électriques est plus grand si votre corps est en contact avec une mise à la terre.
- Ne placez pas les outils électriques sous la pluie ou dans un environnement humide.** L'eau qui s'infiltré dans l'outil électrique augmentera le risque de décharges électriques.
- N'abîmez pas le cordon. N'utilisez jamais le cordon pour transporter, tirer ou débrancher l'outil électrique. Éloignez le cordon de toute source de chaleur, de bordures coupantes, de l'huile et de toute pièce mobile.** Un cordon endommagé ou entremêlé augmente les risques de décharges électriques.
- Si vous faites fonctionner l'outil électrique à l'extérieur, utilisez une rallonge conçue pour cette fin.** L'utilisation d'un cordon conçu pour l'extérieur réduit les risques de décharges électriques.
- Si vous faites fonctionner l'outil électrique dans un endroit mouillé, veillez à utiliser un circuit protégé avec un disjoncteur différentiel de fuite à la terre (DDFT).** L'utilisation d'un DDFT réduit les risques de décharges électriques.



## 3. Sécurité personnelle

- Restez vigilant et attentif à ce que vous faites et faites preuve de bon jugement lorsque vous utilisez un outil électrique. N'utilisez pas l'outil électrique si vous êtes fatigué ou sous l'influence de drogues, d'alcool ou de médicaments.** Un moment d'inattention lors de l'utilisation d'outils électriques peut entraîner des blessures graves.
- Utilisez des équipements de protection. Portez toujours des lunettes de sécurité.** Les équipements de protection tels que les masques antipoussières, les chaussures antidérapantes, les casques de sécurité et les bouchons pour les oreilles, réduisent les risques de blessures corporelles.
- Évitez le démarrage accidentel. Veillez à ce que l'interrupteur soit à la position d'arrêt avant de brancher l'outil électrique à la source d'alimentation transporter.** Des accidents peuvent se produire si vous transportez des outils électriques lorsque votre doigt est sur l'interrupteur ou s'il est sous tension.
- Retirez toute clé de serrage ou de réglage avant de mettre l'outil électrique sous tension.** Une clé de serrage ou de réglage attachée à une pièce rotative peut entraîner des blessures corporelles.
- Ne vous étirez pas. Gardez votre équilibre en tout temps.** Ceci permet un meilleur contrôle de l'outil électrique dans le cas d'un événement inattendu.
- Portez des vêtements appropriés. Ne portez pas des vêtements amples ou des bijoux. Maintenez les cheveux, les vêtements et les bijoux loin des pièces rotatives.** Les vêtements amples, les bijoux et les cheveux longs peuvent être pris dans les pièces rotatives.
- Veillez à ce que les dispositifs fournis pour la récupération et la collecte de poussières soient bien connectés et utilisés adéquatement.** L'utilisation d'un système de collecte de poussière réduit les dangers associés.
- L'utilisation fréquente de l'outil ne doit pas faire place à la complaisance et au non-respect des principes de sécurité.** La négligence en une fraction de seconde peut causer des blessures graves.

## 4. Fonctionnement et entretien de l'outil électrique

- Ne forcez pas l'outil électrique. Utilisez l'outil électrique approprié pour votre application.** L'outil électrique approprié fera le travail plus efficacement et de manière plus sécuritaire au rythme pour lequel il est conçu.
- N'utilisez pas l'outil électrique si l'interrupteur ne fonctionne plus.** Tout outil électrique dont l'interrupteur ne fonctionne plus devient dangereux et doit être réparé immédiatement.
- Débranchez l'outil électrique de la source d'alimentation ou retirez le bloc-piles avant d'effectuer tout réglage, de changer un accessoire ou d'entreposer l'outil électrique.** Ces mesures de sécurité préventive réduisent les risques de démarrage accidentel de l'outil électrique.
- Gardez les outils électriques hors tension loin de la portée des enfants et ne permettez pas à des personnes qui ne connaissent pas l'outil électrique ou les instructions présentes de faire fonctionner l'outil.** Les outils électriques sont dangereux entre les mains d'une personne non formée.
- Prenez soin des outils et leurs accessoires. Veillez à ce que les pièces rotatives ne soient pas désalignées et qu'elles ne se coincent pas, qu'aucune pièce n'est brisée ainsi que toute condition qui affecte le fonctionnement de l'outil électrique est absente. N'utilisez pas un outil électrique endommagé et faites-le réparer immédiatement.** Plusieurs accidents sont causés par des outils électriques mal entretenus.
- Maintenez les outils de coupe bien aiguisés et propres.** Les outils de coupe bien entretenus avec des lames aiguisées sont moins susceptibles de coincer et sont plus faciles à manier.
- Utilisez l'outil électrique, les mèches, les accessoires, etc. conformément aux présentes instructions en prenant en considération l'environnement et le travail à être effectué.** L'utilisation de l'outil électrique pour des fins autres que pour lesquelles il est conçu peut entraîner des situations dangereuses.
- Gardez les poignées et les surfaces de saisie sèches, propres et exemptes d'huile ou de gras.** Les poignées et les surfaces de saisie glissantes ne permettent pas une manipulation et un contrôle sécuritaires de l'outil en cas d'événement inattendu.

## 5. Entretien

- Demandez à un technicien qualifié d'entretenir votre outil électrique en utilisant des pièces de rechange identiques.** Ceci assure le maintien de la sécurité de l'outil électrique.



# RÈGLES DE SÉCURITÉ DE LA SCIE CIRCULAIRE À TABLE

## TERMINOLOGIE

Les termes suivants seront utilisés dans le guide et vous devez vous familiariser avec eux.

- Coupe complète - toute coupe qui coupe complètement à travers la pièce.
- Coupe incomplète - toute coupe qui ne coupe complètement la pièce.
- Poussoir - un bâton en bois ou en plastique, généralement fait maison, qui est utilisé pour pousser une petite pièce dans la scie et garder les mains éloignées de la lame.
- Rebond - lorsque la lame de la scie se coince dans la coupe ou que la pièce se coince entre la lame et le guide et qu'elle est repoussée vers l'utilisateur. — A main levée - coupe sans l'utilisation du guide

- d'onglet ou du guide longitudinal ou tout autre moyen de guidage, ou maintenir la pièce avec autre chose que la main de l'opérateur.
- Coupe en plongée - coupes dans la pièce de travail faites par élévation de la lame à travers la pièce ou l'abaissement de la pièce vers la lame.
- Resciage - retournement de la pièce de travail pour compléter une coupe que la scie est incapable de prendre en un seul passage.
- Coupe de moulure - une opération où la pièce de travail est poussée à un angle sur la lame. (Également connu sous le nom de « coving »)

**⚠ AVERTISSEMENT LE NON-RESPECT DES CONSIGNES SUIVANTES PEUT ENTRAÎNER DES BLESSURES**

## RÈGLES DE SÉCURITÉ SPÉCIFIQUES POUR LA SCIE À TABLE

**⚠ AVERTISSEMENT LISEZ TOUS LES AVERTISSEMENTS DE SÉCURITÉ INDIQUÉS PAR LE ⚠ SYMBOLE ET TOUTES LES INSTRUCTIONS.**

### 1. AVERTISSEMENTS RELATIFS AU SYSTÈME DE PROTÈGE-LAME

- Gardez les protecteurs en place.** Ils doivent être en état de fonctionnement et bien installés. Un protège-lame desserré, endommagé ou qui ne fonctionne pas bien doit être réparé ou remplacé.
- Utilisez toujours un protège-lame de scie, un couteau diviseur et un dispositif anti-rebond pour toutes les opérations de coupe traversante.** Le protecteur et les autres dispositifs de sécurité permettent de réduire les risques de blessure lorsque vous effectuez des coupes traversantes, c'est-à-dire lorsque la lame traverse complètement l'épaisseur de la pièce à travailler.
- Rattachez le système de protège-lame immédiatement après avoir terminé une opération (comme une feuillure un refendage) qui nécessite le retrait du protecteur, du couteau diviseur ou du dispositif anti-rebond.** Le protecteur, le couteau diviseur et le dispositif anti-rebond permettent de réduire les risques de blessure.
- Assurez-vous que la lame de scie n'entre pas en contact avec le protecteur, le couteau diviseur ou la pièce à travailler avant de mettre l'interrupteur à la position de marche.** Un contact accidentel entre ces pièces et la lame de scie pourrait entraîner des risques.
- Ajustez le couteau diviseur conformément au manuel d'instructions.** Un espacement, un positionnement et un alignement incorrects peuvent rendre le couteau diviseur inapte à réduire les risques de rebond.
- Pour que le couteau diviseur et le dispositif anti-rebond fonctionnent, ils doivent être engagés dans la pièce à travailler.** Le couteau diviseur et le dispositif anti-rebond sont inefficaces lors de la coupe de pièces trop courtes, car ils ne peuvent pas s'engager dans celles-ci. Dans de telles conditions, le couteau diviseur et le dispositif anti-rebond ne peuvent pas éviter les rebonds.
- Utilisez la lame appropriée pour le couteau diviseur.** Pour que le couteau diviseur fonctionne correctement, le diamètre de la lame de scie doit correspondre au couteau diviseur approprié et le corps de la lame de scie doit être plus mince que l'épaisseur du couteau diviseur. De plus, la largeur de coupe de la lame de scie doit être plus large que l'épaisseur du couteau diviseur.

### 2. AVERTISSEMENTS RELATIFS AUX PROCÉDURES DE COUPE



- DANGER : Ne placez jamais vos doigts ou vos mains à proximité de la lame de scie ou en ligne droite avec celle-ci.** Un moment d'inattention ou une chute pourrait entraîner votre main vers la lame de scie et occasionner des blessures graves.
- Glissez la pièce à travailler vers la lame de scie ou le couteau dans le sens contraire du mouvement de rotation seulement.** Si vous glissez la pièce à travailler vers la lame de scie dans le sens du mouvement de rotation de celle-ci, la pièce à travailler et votre main pourraient être entraînées vers la lame de scie.
- N'utilisez jamais le guide d'onglet pour pousser la pièce à travailler lorsque vous sciez en long et n'utilisez pas le guide longitudinal comme butée réglable lorsque vous tronçonnez à l'aide du guide d'onglet.** Pousser la pièce à travailler à l'aide du guide longitudinal et du guide d'onglet en même temps augmente les risques d'enrayement et de rebond de la lame de scie.
- Pour le sciage en long, appliquez toujours une pression entre le guide et la lame de scie lorsque vous faites glisser la pièce à travailler. Utilisez un poussoir lorsque la distance entre le guide et la lame de scie est inférieure à 150 mm et utilisez un bloc-poussoir lorsque cette distance est inférieure à 50 mm.** Les dispositifs « d'aide au travail » permettent de garder votre main à une distance sécuritaire de la lame de scie.
- Utilisez seulement le poussoir fourni par le fabricant ou construit conformément aux instructions.** Ce poussoir garde la main à une distance suffisante de la lame de scie.
- N'utilisez jamais un poussoir endommagé ou coupé.** Un poussoir endommagé pourrait se briser et entraîner votre main vers la lame de scie.
- N'effectuez aucune coupe à « main libre ».** Utilisez toujours le guide longitudinal ou le guide d'onglet pour placer et guider la pièce à travailler. Une coupe à « main libre » consiste à utiliser votre main pour tenir ou guider la pièce à travailler plutôt que d'utiliser un guide longitudinal ou un guide d'onglet. Effectuer des coupes à main libre pourrait entraîner un désalignement, un enrayement et des rebonds.
- N'approchez jamais vos doigts d'une lame de scie en rotation.** Ne vous étirez pas pour atteindre une pièce à travailler; cela pourrait entraîner un contact accidentel avec la lame de scie en mouvement.
- Afin de maintenir de niveau les pièces à travailler longues ou larges, installez un support auxiliaire pour celles-ci à l'arrière ou sur le côté du banc de scie.** Une pièce longue ou large a tendance à pivoter sur le bord de la table, ce qui peut entraîner une perte de contrôle, un enrayement de la lame de scie et un rebond.
- Glissez la pièce à travailler à un rythme constant. Évitez de plier ou de tordre la pièce à travailler.** Si un blocage survient, éteignez l'outil immédiatement, débranchez-le, puis décoinchez le matériau. Un blocage de la lame de scie à cause de la pièce à travailler peut entraîner un rebond ou le calage du moteur.
- Ne retirez pas des morceaux de matériau découpé pendant que la scie est en marche.** Le matériau pourrait se coincer entre le guide ou l'intérieur du protège-lame et la lame de scie, ce qui pourrait entraîner vos doigts vers la lame de scie. Éteignez la scie et attendez que la lame se soit arrêtée avant de retirer le matériau.

# RÈGLES DE SÉCURITÉ DE LA SCIE CIRCULAIRE À TABLE

- l. **Pour le sciage en long de pièces de moins de 2 mm d'épaisseur, utilisez un guide auxiliaire en contact avec le plateau.** Une pièce à travailler mince pourrait se glisser sous le guide longitudinal et occasionner un rebond.
- m. **NE JAMAIS COUPER DE MÉTAUX, DE PANNEAUX DE CIMENT OU DE MAÇONNERIE.** Certains matériaux synthétiques ont des instructions spéciales pour la coupe sur les scies à table. Suivez les recommandations du fabricant en tout temps éviter de surchauffer les pointes des lames de scie et de faire fondre le plastique. Évitez de surchauffer les extrémités des lames en poussant le matériau à travers la lame de manière uniforme. Forcer le matériau à être rapide peut provoquer un échauffement et des dommages à la lame ou à la pièce. Si la coupe de plastique est autorisée, pour éviter de faire fondre le plastique

## 3. Causes des rebonds et avertissements connexes

**Un rebond est une réaction soudaine de la pièce à travailler qui se produit lorsqu'une lame est coincée, bloquée ou mal alignée sur la pièce à travailler, ou encore lorsqu'une partie de la pièce à travailler se coince entre la lame de scie et le guide longitudinal ou tout autre objet fixe.**

- a. **Lorsqu'un rebond se produit, il est fréquent que la pièce à travailler soit soulevée de la table par la partie arrière de la lame de scie et projetée vers l'utilisateur.** Le rebond est le résultat d'un usage inapproprié de la scie ou encore de procédures ou de conditions d'utilisation incorrectes. Il peut être évité en prenant les précautions appropriées présentées ci-dessous.
- b. **Ne vous placez jamais directement en face de la lame de scie.** Placez toujours votre corps et le guide du même côté de la lame. Les rebonds peuvent projeter la pièce à travailler à grande vitesse vers une personne se tenant devant la lame de scie et en ligne droite avec celle-ci.
- c. **Ne vous penchez jamais au-dessus de la lame de scie pour tirer ou tenir la pièce à travailler.** Un contact accidentel avec la lame de scie peut se produire ou des rebonds peuvent entraîner vos doigts vers la lame de scie.
- d. **N'appliquez jamais une pression sur la pièce à travailler coupée dans le sens contraire du mouvement de rotation de la lame de scie.** Cela pourrait occasionner un enrayement et un rebond.
- e. **Placez le guide pour qu'il soit parallèle à la lame de scie.** Un guide mal aligné coince la pièce contre la lame de scie, ce qui entraînera un rebond.
- f. **Utilisez un guide d'appui à languette pour guider la pièce à travailler contre la table et le guide lorsque vous effectuez des coupes non traversantes telles que des feuillures, ou des refendages.** Le guide d'appui à languette aide à maîtriser la pièce à travailler en cas de rebond.
- g. **Redoublez de prudence lorsque vous effectuez des coupes dans des endroits dissimulés de pièces à travailler assemblées.** La lame de scie saillante pourrait couper des objets susceptibles de causer un rebond.
- h. **Soutenez les panneaux de grande taille pour minimiser les risques de blocage et de rebond de la lame de scie.** Les panneaux de grande taille ont tendance à s'affaisser sous leur poids. Vous devez placer des supports sous toutes les parties du panneau surplombant le plateau.
- i. **Redoublez de prudence lorsque vous coupez une pièce tordue, déformée, qui comporte des nœuds ou dont le bord n'est pas droit.** Guidez-la à l'aide d'un guide d'onglet ou le long du guide. Une pièce déformée, tordue ou qui comporte des nœuds est instable et entraîne un mauvais alignement de la voie avec la lame de scie, des enrayements et des rebonds.
- j. **Ne coupez jamais plusieurs pièces à travailler à la fois, qu'elles soient empilées à la verticale ou à l'horizontale.** La lame de scie pourrait se prendre dans une ou plusieurs pièces et entraîner un rebond.
- k. **Lorsque vous redémarrez la scie avec la lame de scie dans la pièce à travailler, centrez la lame de scie dans la voie afin que les dents de la scie ne soient pas engagées dans le matériau.** Si la lame est coincée, elle pourrait se soulever ou rebondir de la pièce à travailler au moment où vous redémarrez la scie.
- l. **Gardez les lames de scie propres, affûtées et bien réglées.** N'utilisez jamais une lame déformée ou dont les dents sont fissurées ou brisées. Des lames de scie affûtées et bien réglées réduisent les enrayements, les rebonds et les risques de calage du moteur.

## 4. Avertissements relatifs au mode d'emploi de la scie à table

- a. **Arrêtez la scie à table et débranchez le cordon d'alimentation lorsque l'appareil est laissé sans surveillance ou que vous retirez la plaque amovible,** remplacez la lame de scie ou effectuez des réglages sur le couteau diviseur, le dispositif anti-rebond ou le protège-lame de scie. Les mesures de précaution permettent d'éviter les accidents.
- b. **Ne laissez jamais la scie à table en marche sans supervision.** Éteignez-la et ne vous éloignez pas de l'outil tant qu'il ne s'est pas complètement arrêté. Une scie en marche sans surveillance est un risque non contrôlé.
- c. **Placez la scie à table dans un endroit bien éclairé et de niveau, où vous pourrez avoir une posture sécuritaire et un bon équilibre.** Elle doit être installée dans une zone offrant suffisamment de place pour que vous puissiez facilement manipuler l'ensemble de votre pièce à travailler. Les espaces restreints, les endroits sombres et les planchers glissants et inégaux sont propices aux accidents.
- d. **Nettoyez fréquemment sous le banc de scie et retirez la sciure qui s'y trouve ou accumulée dans le dispositif de dépoussiérage.** La sciure accumulée est combustible et auto-inflammable.
- e. **La scie à table doit être bien fixée.** Une scie à table qui n'est pas bien fixée pourrait se déplacer ou se renverser.
- f. **Retirez les outils, les résidus de bois et tout autre objet de la table avant de mettre la scie à table en marche.** La distraction ou un blocage potentiel peuvent être dangereux.
- g. **Utilisez toujours des lames de scie dont l'alésage central est de la bonne taille et de la bonne forme (en losange plutôt que rond).** Les lames de scie qui ne correspondent pas à la quincaillerie de fixation de la scie créent des coupes décentrées et entraînent des pertes de contrôle.
- h. **N'utilisez jamais une fixation de lame de scie endommagée ou inappropriée, par exemple des brides, des rondelles, des boulons ou des écrous.** Ces moyens de fixation ont été spécialement conçus pour votre scie afin d'assurer son fonctionnement sécuritaire et son rendement optimal.
- i. **Ne vous tenez jamais debout sur la scie à table et ne l'utilisez pas comme un escabeau.** Des blessures graves peuvent survenir si l'outil se renverse ou qu'un contact accidentel se produit avec l'outil tranchant.
- j. **Assurez-vous que la lame de scie est installée pour tourner dans le bon sens.** N'utilisez pas de meules, de brosses métalliques ou de meules abrasives sur une scie à table. Une installation incorrecte de la lame de scie ou l'utilisation d'accessoires non recommandés peuvent causer des blessures graves.
- k. **NE PAS RETIRER UNE PIÈCE DE TRAVAIL PIÉTRÉE** sans d'abord éteindre la scie et la débrancher de la source d'alimentation.

# RÈGLES DE SÉCURITÉ DE LA SCIE CIRCULAIRE À TABLE

## MONTAGE DU PROTÈGE-LAME, DES GRIFFES ANTI-REBOND ET DU COUTEAU DIVISEUR

Votre scie circulaire à table est équipée d'un protège-lame, de griffes anti-rebond et d'un couteau diviseur qui couvrent la lame et réduisent la possibilité de contact accidentel avec la lame. Le couteau diviseur est une plaque plane qui tient dans la coupe faite par la lame de la scie et protège efficacement contre les rebonds en diminuant la tendance de la lame de se coincer dans la coupe. Deux griffes anti-rebond sont situées sur les côtés du couteau diviseur permettant au bois de passer à travers la lame dans la direction de coupe, mais réduisant la possibilité que le matériau ne soit projeté vers l'arrière en direction de l'opérateur. Le protège-lame et les griffes anti-rebond ne peuvent être utilisés que lors des coupes complètes qui rompent le bois. Lors de feuillures et autres coupes non traversantes, le protège-lame et les griffes anti-rebond doivent être enlevés

et le couteau diviseur abaissé à la position de coupe incomplète marquée sur le couteau diviseur. Utilisez toutes les composantes du système de protection (protège-lame, couteau diviseur et griffes anti-rebond) pour chaque opération pour laquelle ils peuvent être utilisés, y compris toutes les coupes complètes. Si vous choisissez de ne pas utiliser un de ces composants pour une application particulière, faire preuve de prudence supplémentaire en matière de contrôle de la pièce, l'utilisation de poussoirs, la position de vos mains par rapport à la lame, l'utilisation de lunettes de sécurité, les moyens d'éviter les rebonds et toutes autres mises en garde contenues dans ce guide et sur la scie elle-même. Replacer les systèmes de protection dès que vous revenez aux coupes complètes. Maintenir ces systèmes en bonne condition de fonctionnement.

## REBONDS

Les rebonds peuvent causer des blessures graves. Un rebond se produit quand une partie de la pièce se coince entre la lame de la scie et le guide longitudinal, ou tout autre objet fixe, et s'élève de la table et est projetée vers l'opérateur. Le risque de rebond peut être minimisé par l'attention aux directives suivantes

### COMMENT RÉDUIRE LES RISQUES DE REBONDS ET VOUS PROTÉGER CONTRE D'ÉVENTUELLES BLESSURES:

- S'assurer que le guide longitudinal est parallèle à la lame de la scie.
- **NE PAS** effectuer de coupe longitudinale en appliquant de la pression de coupe à la section de la pièce qui deviendra la pièce coupée (libre). La pression de coupe des coupes longitudinales doit toujours être appliquée entre la lame de la scie et le guide; utiliser un poussoir pour tout travail étroit de 6 pouces (152 mm) de largeur ou moins.
- Garder le protège-lame, le couteau diviseur et les griffes anti-rebond en place et fonctionnant correctement. Le couteau diviseur doit être dans l'alignement de la lame de la scie et les griffes anti-rebond doivent arrêter un rebond une fois qu'il a commencé. Vérifier leur action avant une coupe longitudinale en poussant le bois sous l'ensemble des griffes anti-rebond. Les griffes doivent empêcher le bois d'être tiré vers l'avant de la scie. Si une partie de l'ensemble ne fonctionne pas, retourner au centre de service autorisé pour la réparation.

- Les matières plastiques et composites (comme les panneaux durs) peuvent être découpées sur votre scie. Cependant, puisque ceux-ci sont généralement assez durs et glissants, les griffes anti-rebond peuvent ne pas arrêter un rebond. Par conséquent, il faut être particulièrement attentif à la mise en place et aux procédures de coupe suivantes lors des coupes longitudinales.
- Utiliser le protège-lame, les griffes anti-rebond et le couteau diviseur pour chaque opération possible, y compris toutes les coupes complètes.
- Pousser la pièce au-delà de la lame de la scie avant de relâcher le contrôle.
- **NE JAMAIS** faire de coupe longitudinale sur une pièce qui est tordue ou déformée, ou qui n'a pas un bord droit pour guider le long du guide.
- **NE JAMAIS** scier une grande pièce qui ne peut être contrôlée.
- **NE JAMAIS** utiliser le guide comme guide ou butée de longueur lors de coupes transversales.
- **NE JAMAIS** scier une pièce avec des nœuds lâches, des défauts, des clous ou autres objets étrangers.
- **NE JAMAIS** faire de coupe longitudinale sur une pièce de moins de 10 pouces (254 mm).
- **NE JAMAIS** utiliser une lame émoussée. Une lame émoussée doit être remplacée ou aiguisée de nouveau

# PROPOSITION 65 AVERTISSEMENT :

## ⚠ AVERTISSEMENT

Des poussières créées par le ponçage, sciage, meulage, perçage et autres opérations de construction contiennent des produits chimiques reconnus par l'État de la Californie pour causer le cancer, des malformations congénitales ou autres problèmes de reproduction. Voici certains exemples :

- Plomb dans les peintures à base de plomb
- Silice cristalline provenant de briques et ciment et autres produits de maçonnerie
- Poussière d'amiante
- Arsenic et chrome de bois traité chimiquement

- Votre risque à l'exposition de ces produits varie en fonction de la fréquence de ce type de travail. Pour réduire votre exposition à ces produits chimiques, travaillez dans un endroit bien aéré et utilisez des équipements de sécurité approuvés tels que des masques de protection spécialement conçus pour filtrer les particules microscopiques.
- Éviter le contact prolongé avec la poussière de ponçage, de sciage, de meulage, de perçage et autres activités de construction. Porter des vêtements de protection et nettoyer les parties exposées avec de l'eau et du savon. Si vous avez des questions ou des préoccupations au sujet de l'utilisation de l'outil ou du contenu de ce guide, cesser d'utiliser l'outil et contacter le service à la clientèle de DELTA® au 1-800-223-7278.

## CONSERVER CES DIRECTIVES.

Reportez-vous souvent à ces directives et utilisez-les pour informer les autres.  
Si vous prêtez cet appareil à quelqu'un, prêtez-lui aussi ces directives.

# BRANCHEMENTS D'ALIMENTATION

## RALLONGES

**⚠ DANGER:** Ne jamais utiliser une rallonge endommagée. Vérifier les rallonges avant chaque

utilisation. Si une rallonge est endommagée, remplacez-la immédiatement. Ne jamais utiliser l'appareil avec un cordon endommagé, car toucher la zone endommagée pourrait causer une électrocution et des blessures graves.

**⚠ DANGER:** Garder la rallonge éloignée de la zone de travail. Disposer le cordon afin

qu'il ne se prenne pas sur les pièces de bois, appareils et autres obstacles.

- Utiliser des rallonges appropriées. Lorsque vous utilisez une rallonge, assurez-vous d'utiliser un calibre suffisant pour le courant nécessaire à l'appareil. Un cordon de calibre faible provoquera une chute de tension dans la ligne, entraînant une surchauffe et une perte d'alimentation. Le tableau montre le calibre maximal à utiliser en fonction de la longueur du cordon. En cas de doute, utiliser le calibre supérieur. Plus le numéro de calibre est petit, plus le cordon est puissant. N'utilisez uniquement que les câbles à gaine ronde homologués par Underwriters Laboratories (UL).
- Lors du travail avec l'outil à l'extérieur, utiliser une rallonge conçue pour une utilisation à l'extérieur.

CALIBRE MINIMUM DE RALLONGE TAILLES RECOMMANDÉES AVEC MACHINES ÉLECTRIQUES			
INTENSITÉ NOMINALE	Volts	LONGUEUR TOTALE DE CORDON EN PIEDS	calibre de la rallonge
0-6	120	jusqu'à 25	18 AWG
0-6	120	25-50	16 AWG
0-6	120	50-100	16 AWG
0-6	120	100-150	14 AWG
6-10	120	jusqu'à 25	18 AWG
6-10	120	25-50	16 AWG
6-10	120	50-100	14 AWG
6-10	120	100-150	12 AWG
10-12	120	jusqu'à 25	16 AWG
10-12	120	25-50	16 AWG
10-12	120	50-100	14 AWG
10-12	120	100-150	12 AWG
12-16	120	jusqu'à 25	14 AWG
12-16	120	25-50	12 AWG
12-16	120	SUPÉRIEUR À 50 PIEDS DÉCONSEILLÉ	NON RECOMMANDÉ

# DÉBALLAGE

## ⚠ AVERTISSEMENT

- La machine est lourde et deux personnes sont nécessaires pour la déballer et la soulever.
- Avant de monter et d'utiliser cet outil, lisez ce guide pour vous familiariser avec le montage, l'entretien et les procédures de sécurité.

Vérifiez la boîte d'emballage pour tout dommage avant de déballer. Retirez délicatement les composants de la couche supérieure de mousse. Retirez la couche supérieure de mousse puis retirez tous les composants dans la couche inférieure de mousse. Disposez toutes les pièces sur un morceau de carton ou autre surface plane et propre. Deux personnes ou plus sont nécessaires pour soulever la scie hors du carton.

Vérifiez toujours les matériaux de protection autour des

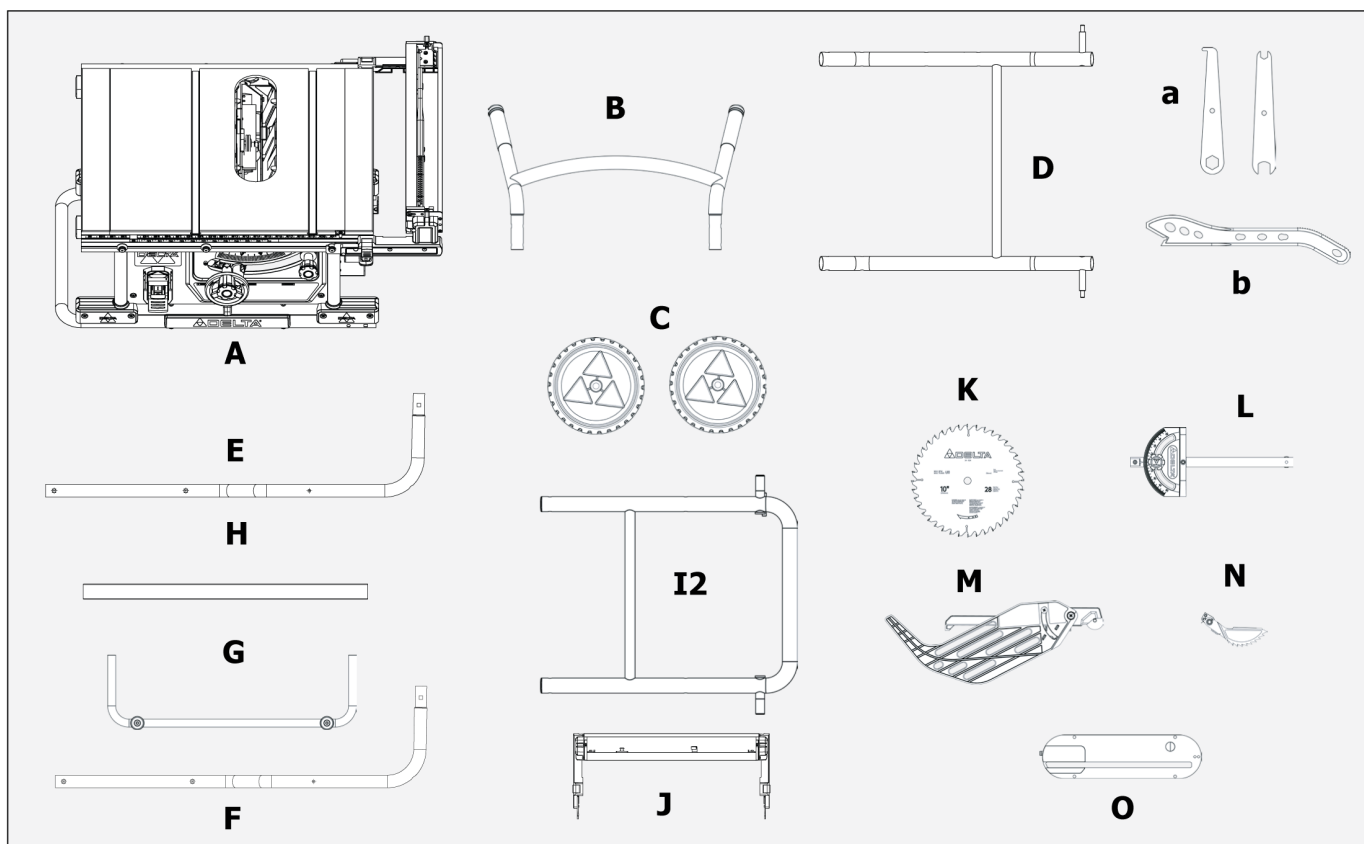
moteurs et des pièces mobiles et retirez-les. Ne jetez pas le carton et les matériaux d'emballage avant d'avoir soigneusement inspecté le contenu, monté l'appareil et l'avoir fait fonctionner correctement et à votre satisfaction. Comparez le contenu de l'emballage à la liste des pièces des composants et du matériel avant le montage pour vous assurer que tous les éléments sont présents. Inspectez soigneusement les pièces pour vérifier qu'aucun dommage n'est survenu pendant l'expédition. Si des pièces sont manquantes, endommagées ou prémontées, ne montez pas l'appareil. Au lieu de cela, appelez l'assistance à la clientèle de DELTA® au 1-800-223-7278 pour de l'assistance. Après le montage retirez tous les matériaux et les revêtements de protection de toutes les parties et de la scie à table.

## DESCRIPTION DU CONTENU DE L'EMBALLAGE (QTÉ)

- A. Scie
- B. Poignée du support
- C. Roues
- D. Ensemble de la pédale
- E. Tige de soutien droite
- F. Tige de soutien gauche
- G. Tube de connexion de la tige de soutien
- H. Ensemble de branchement croisé

- I2. Ensemble du support supérieur, deuxième partie
- J. Guide carré en T
- K. Lame à pointe au carbure de 10 po
- L. Guide d'onglet
- M. Ensemble de protège-lame
- N. Griffes anti-rebond

- O. Plaque à gorge Les éléments suivants peuvent être trouvés dans leurs zones de rangement respectives situées sur la scie :
  - a. Clés de lame (2)
  - b. Poussoir



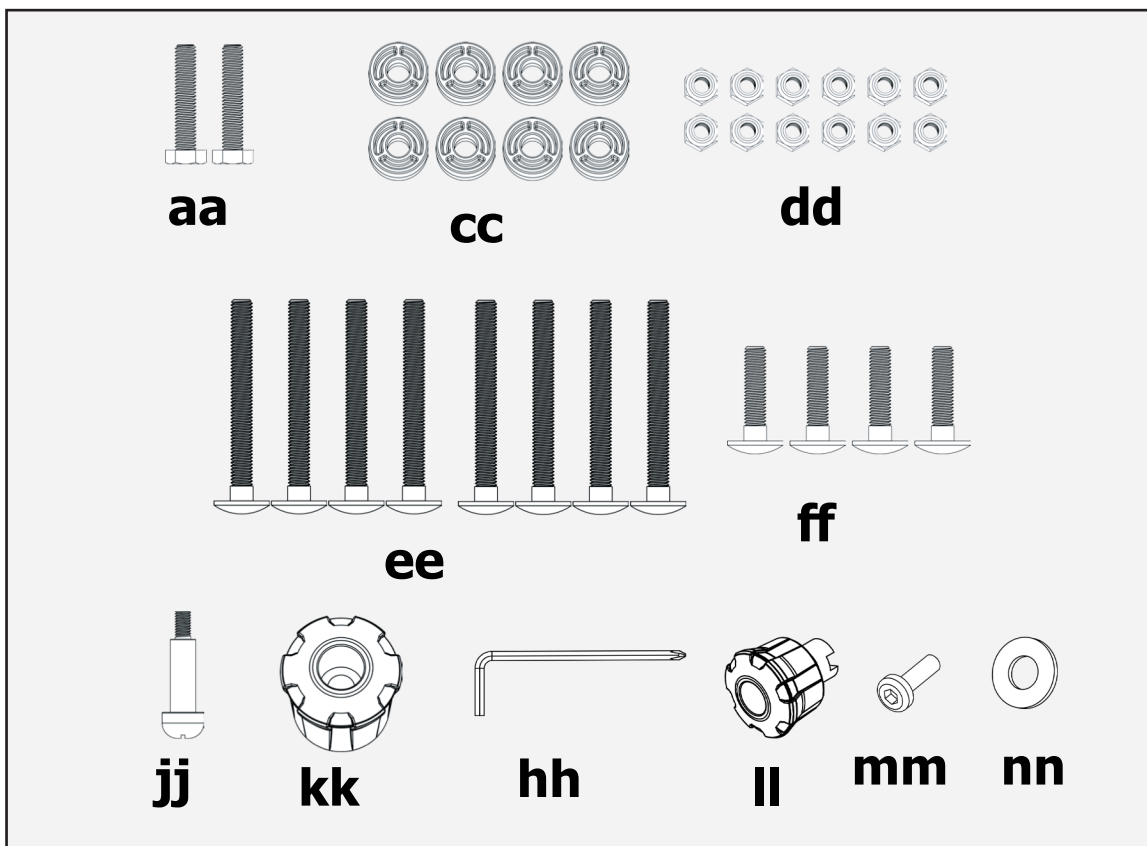
# DÉBALLAGE

## CONTENU DES SACS DE MATÉRIEL

aa. Boulons hex. M6 x 50 (2)  
cc. Rondelle en plastique (8)  
dd. Écrou M8 (12)  
ee. Vis charriot M8 x 75 (8)

ff. Vis charriot M8 x 35 (4)  
hh. Clé Allen 4mm (1)  
jj. Vis à épaulement de poignée de roue (1)  
kk. Bouton de molette de réglage de hauteur

ll. Bouton pignon et crémaillère  
mm. Vis à tête ronde à six pans creux M6X20L (1)  
nn. Rondelle plate 6X14X1T



Pour mesurer la longueur de fixation, reportez-vous à la page 7 de la liste des pièces.

## MONTAGE

### ⚠ MISE EN GARDE :

- Ne pas soulever la scie sans aide. La tenir près de votre corps tout en la soulevant. Garder les genoux pliés et soulever avec vos jambes, et non votre dos.
- Monter entièrement la scie avec le support avant de l'utiliser.
- L'ensemble du support est une partie intégrante et nécessaire de la structure de soutien de cette scie.
- Ne pas modifier la scie, ou créer des accessoires non recommandés pour utilisation avec cette scie.
- S'assurer que l'interrupteur d'alimentation est en position « ARRÊT » avant de brancher à l'alimentation. Ne pas brancher sur l'alimentation avant que le montage ne soit terminé.

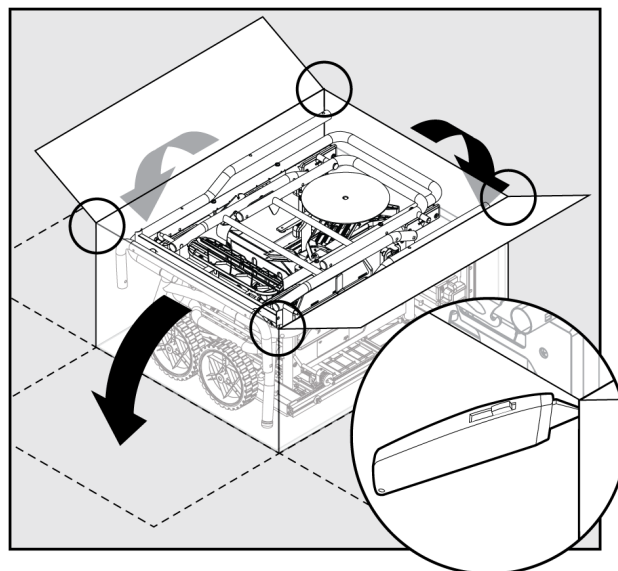
### ⚠ MISE EN GARDE :

- Éviter le contact avec les dents de la lame. Tenez la lame rangée ou abaissée, lorsque possible.

## DÉBALLAGE

1. Coupez les côtés de la boîte au niveau des quatre coins.

**IMPORTANT:** Avant l'assemblage, séparez les plateaux d'emballage supérieur et inférieur. Laissez la section de la base dans le plateau inférieur pendant que vous effectuez les étapes pour montage de stand.



# MONTAGE

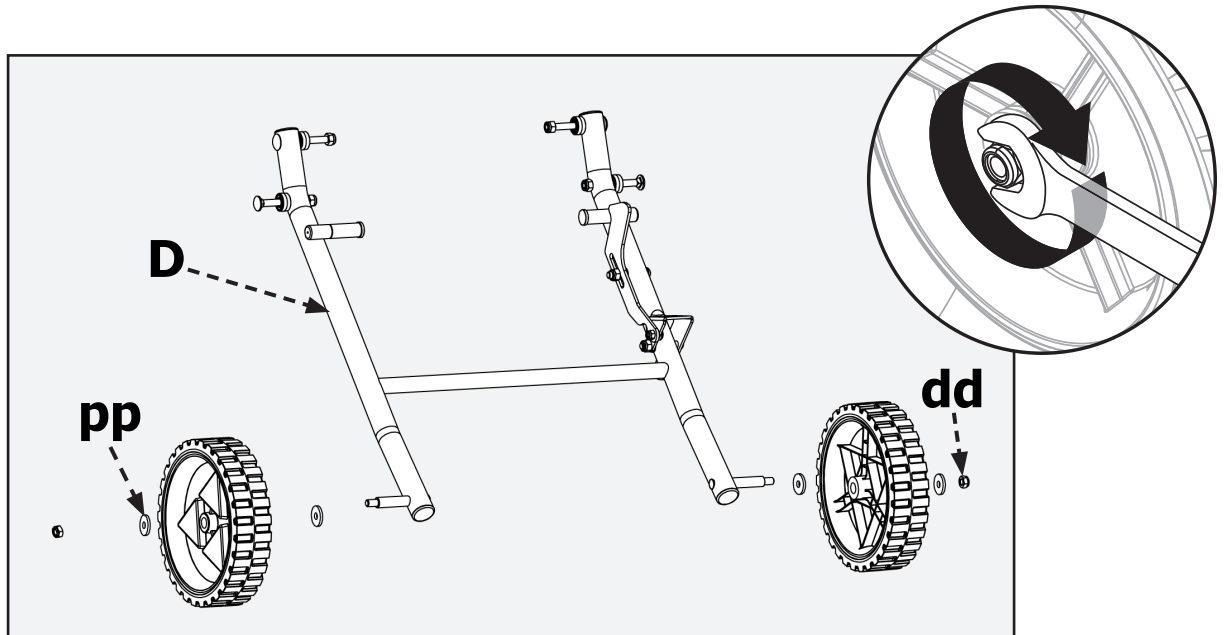


FIGURE 1

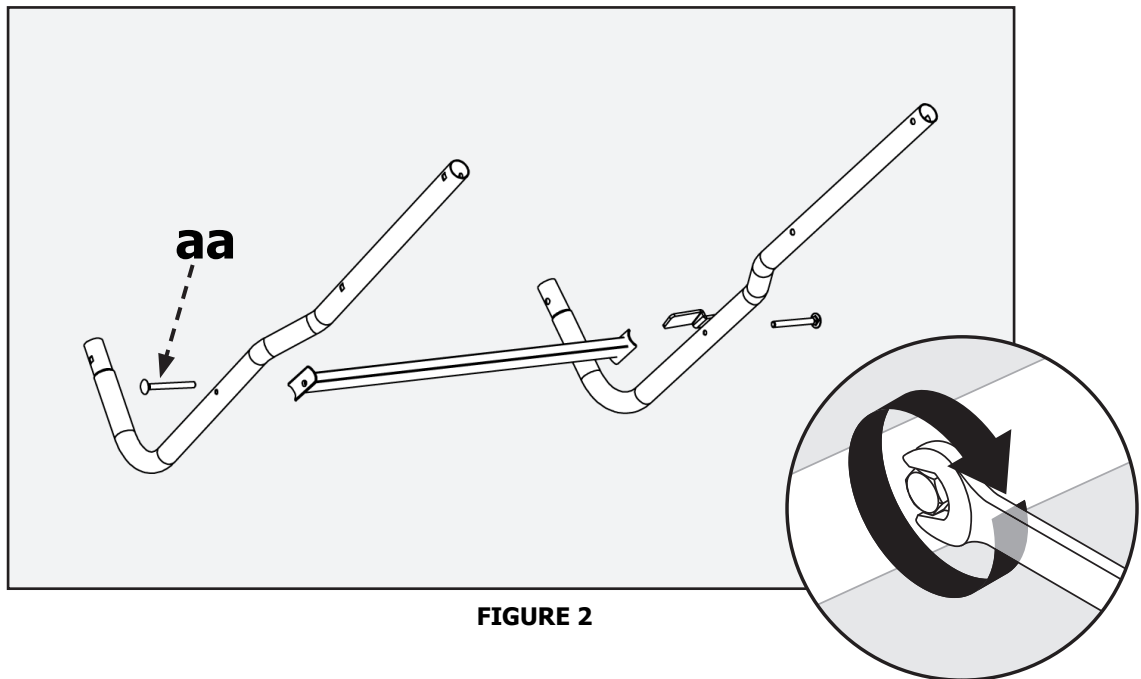


FIGURE 2

## SUPPORT DE MONTAGE

1. Commencez par retirer les rondelles (pp) et les écrous (dd) de la jambe inférieure droite, puis fixez les roues (C) à la jambe inférieure droite (D) avec des rondelles (pp) et un écrou (dd). Vérifiez l'orientation des roues et si les roues frottent contre le cadre, inversez l'orientation. Mettez la roue de côté pour une utilisation ultérieure.
2. Fixez la traverse de jambe (H) à la tige de support gauche (F) et à la tige de support droite (E) à l'aide de boulons M6 x 50 (aa).

# MONTAGE

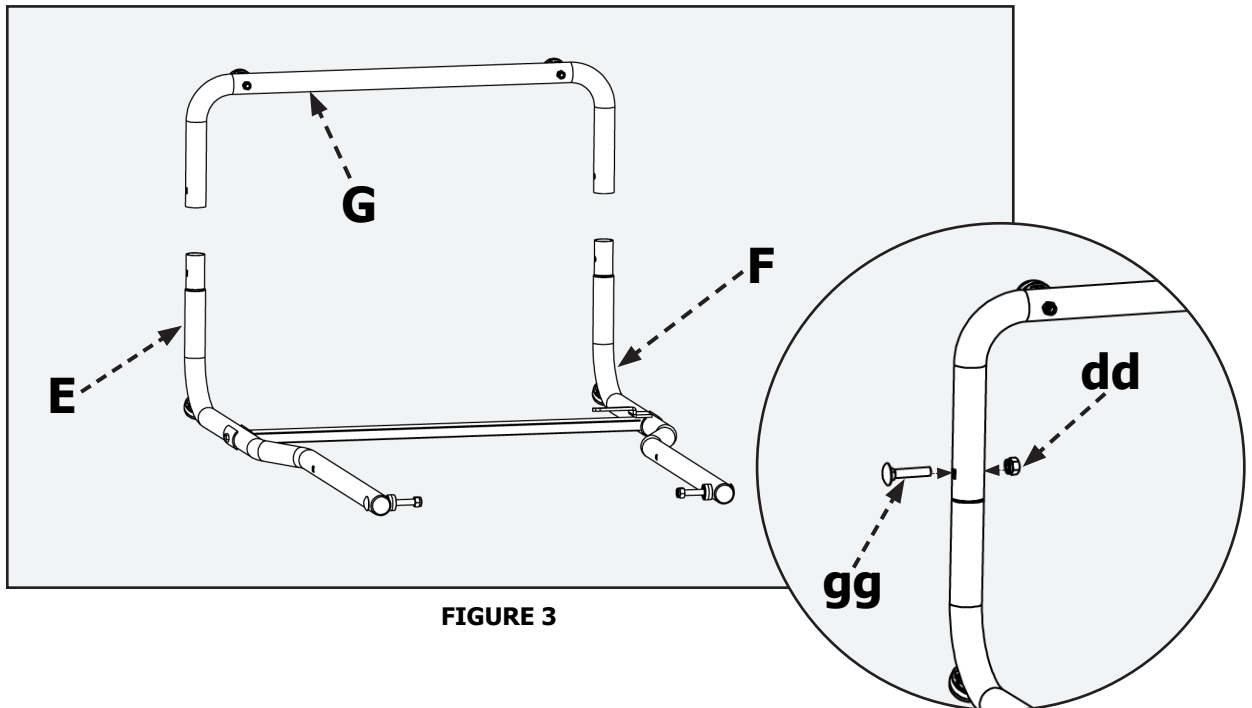


FIGURE 3

Fixez le tube de connexion de la tige de support (G) à la jambe de la Figure 2. Fixez-le avec M8 x 35mm. vis à tête cylindrique (ff) et écrou (dd).

**REMARQUE:** le tube de raccordement de la tige de support des pieds (G) doit être tourné vers l'extérieur (gauche).

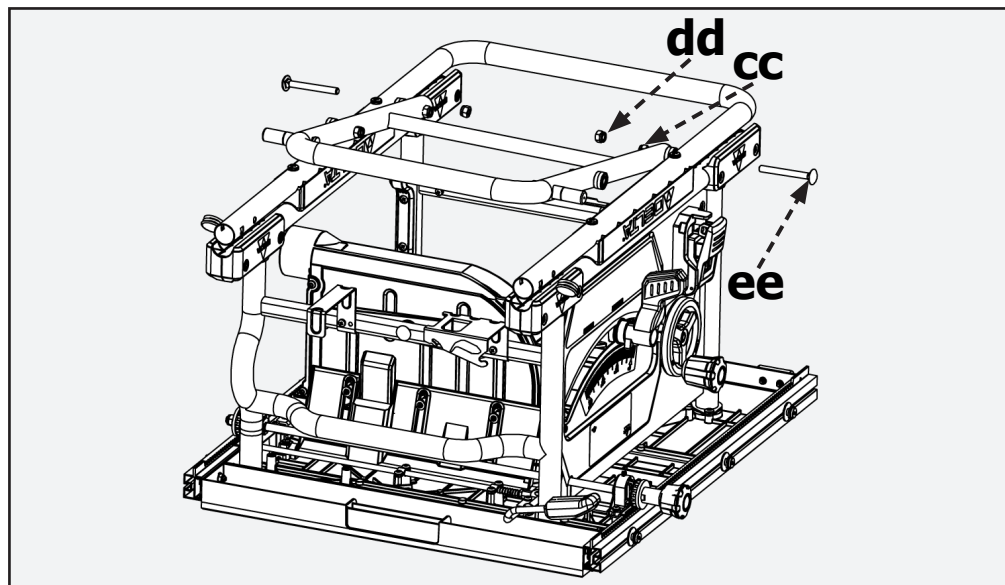


FIGURE 4

Sécurisez le support 2 de support de pied supérieur (12) sur la pièce de support de pied supérieur 1 (prémontée sur la scie) avec la vis de carrosserie M8 x 75 (ee), l'entretoise en plastique (cc) et le contre-écrou M8 (dd).



# MONTAGE

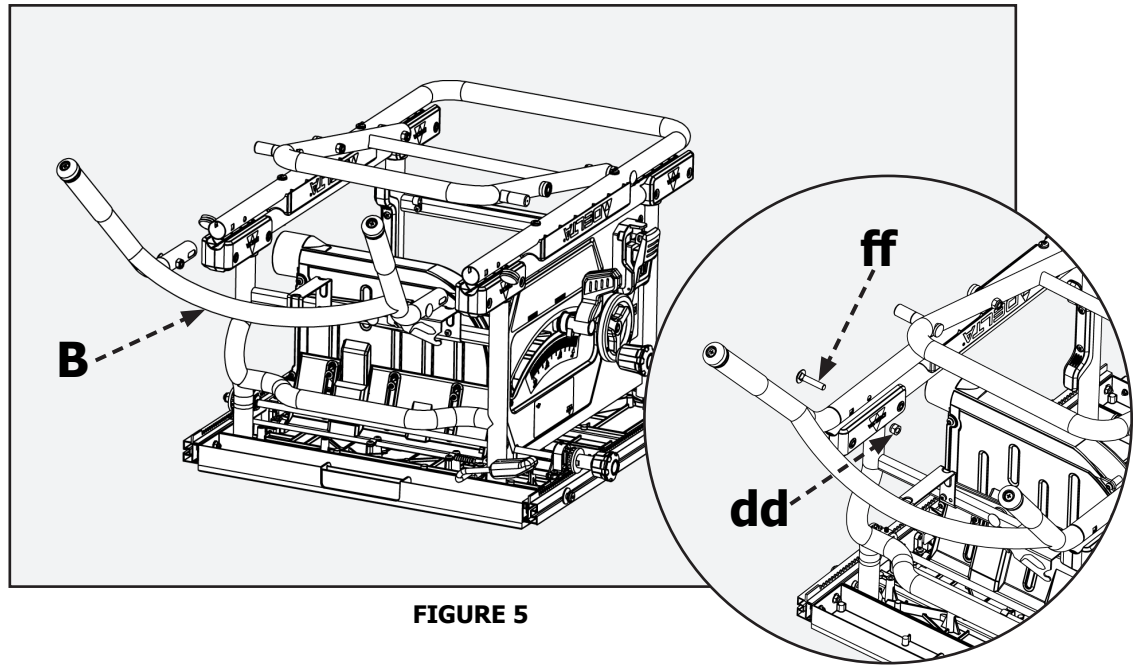


FIGURE 5

La table étant toujours dans le bac inférieur, fixez la poignée du support (B) à la table à l'aide de la vis à capuchon 1-3 / 8 po (ff) et de l'écrou (dd).

**REMARQUE:** les trous carrés et ronds peuvent être alignés.

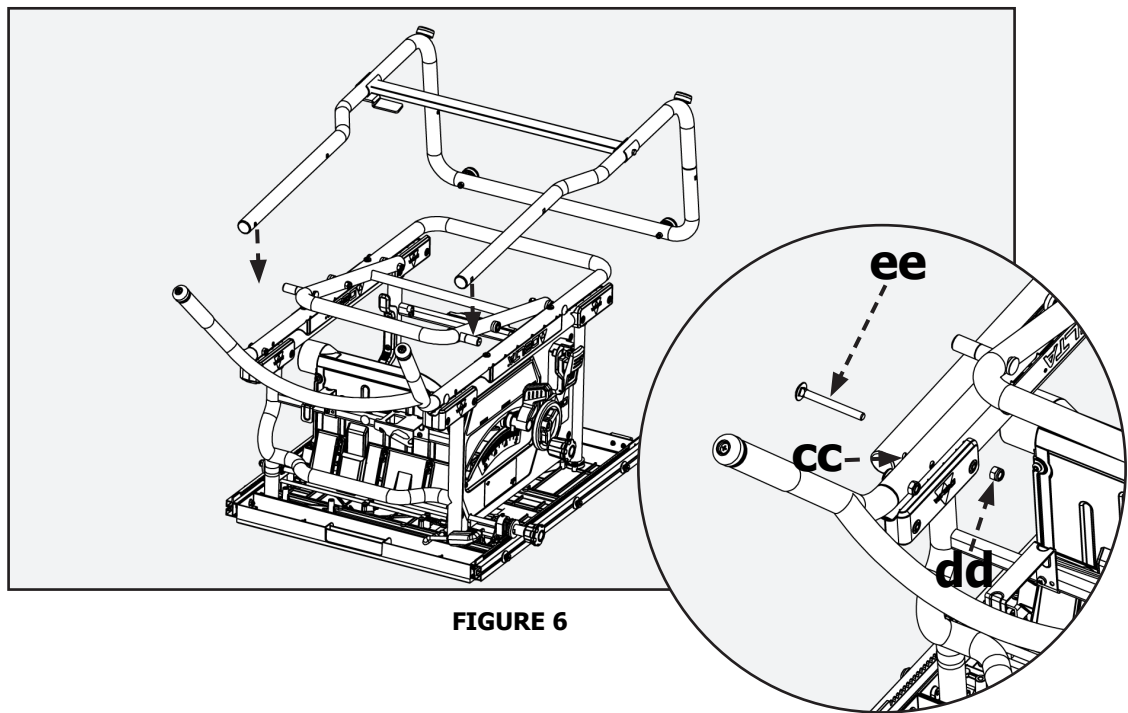


FIGURE 6

Fixez la jambe à la table. Insérez l'entretoise (cc) entre les pieds et fixez-la avec un boulon de carrosserie M8 x 75mm (2.95 ") et un écrou (dd).

**REMARQUE:** Coupez l'attache pour la fixation de la jambe supérieure pré-assemblée.

# MONTAGE

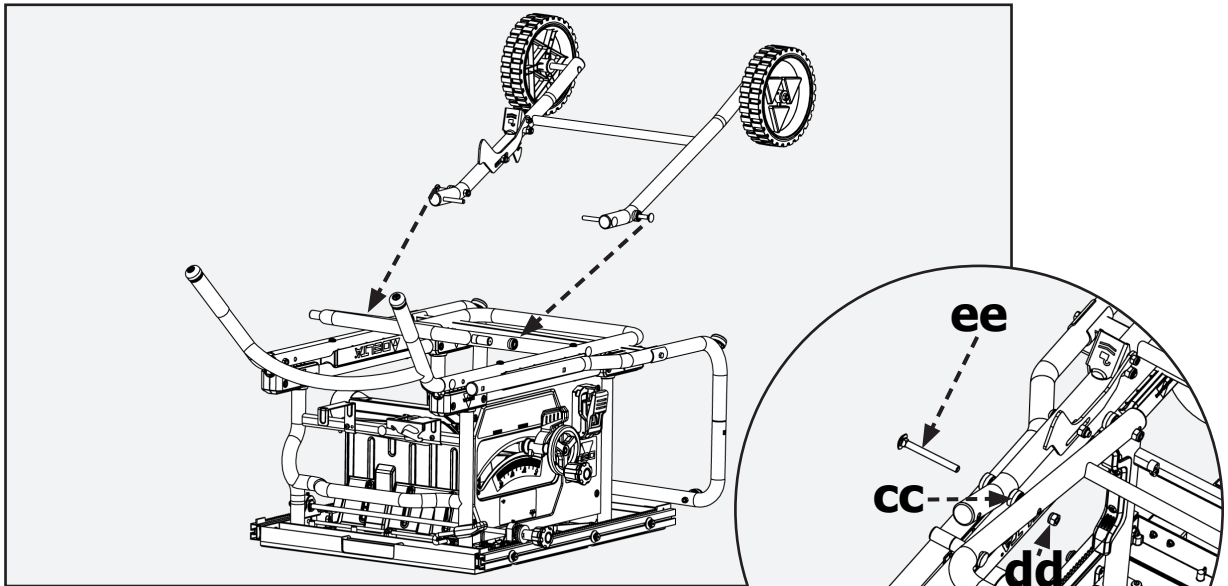


FIGURE 7

Installer la roue de la figure 1 à la jambe installée à la figure 6. Insérer l'entretoise (cc) entre les pieds et fixez avec un boulon de carrosserie (ee) et un écrou (dd) de M8 x 75mm (2.95 ").

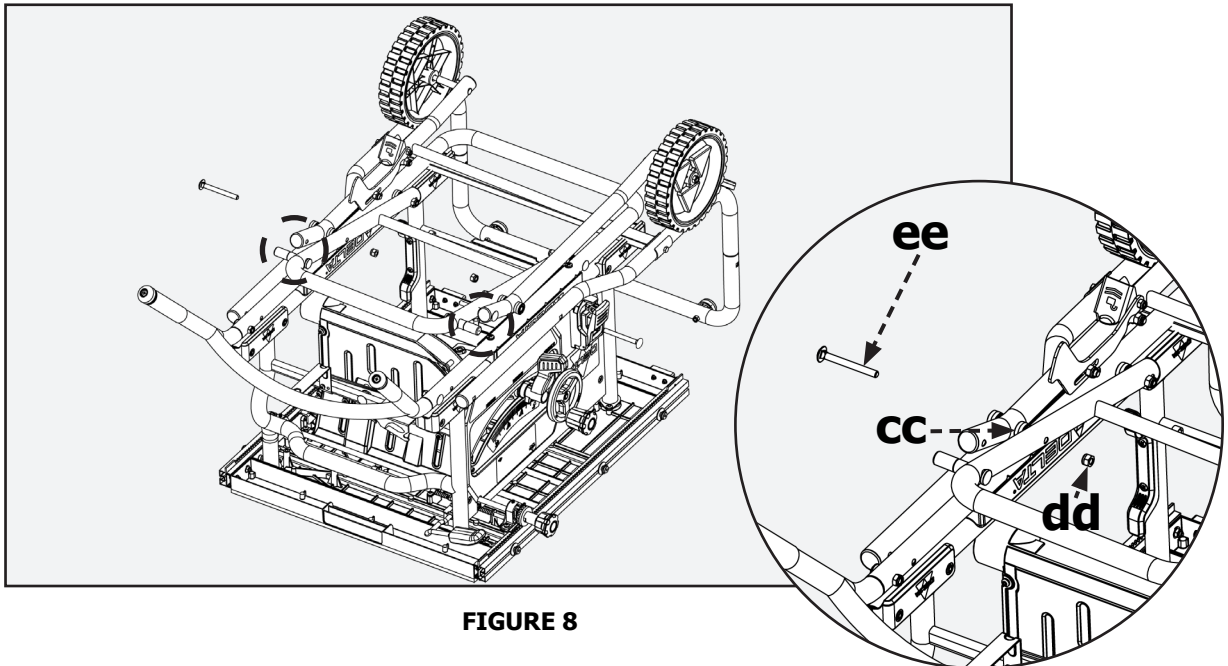


FIGURE 8

Soulevez la partie la plus étroite du support pour aider à aligner les trous. Insérez l'entretoise (cc) entre les pieds et fixez-la à l'aide de la vis d'assemblage M8 x 75mm (2.95 ") (ee) et de l'écrou (dd).

**REMARQUE:** ne pas trop serrer. Couper la cravate de fixation de la pédale.

# MONTAGE

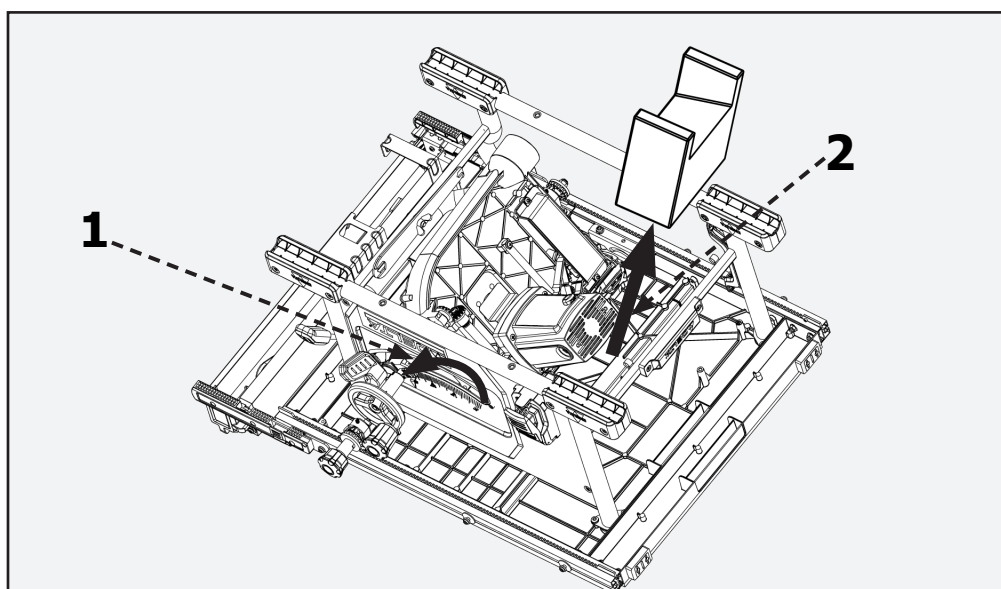


FIGURE 9

## FIXER LA SCIE À L'ENSEMBLE DU SUPPORT

Déverrouiller le levier de verrouillage de biseau et faire tourner l'ensemble du moteur suffisamment pour éliminer la mousse de protection pour le transport du moteur de la scie, comme le montre la figure 9.

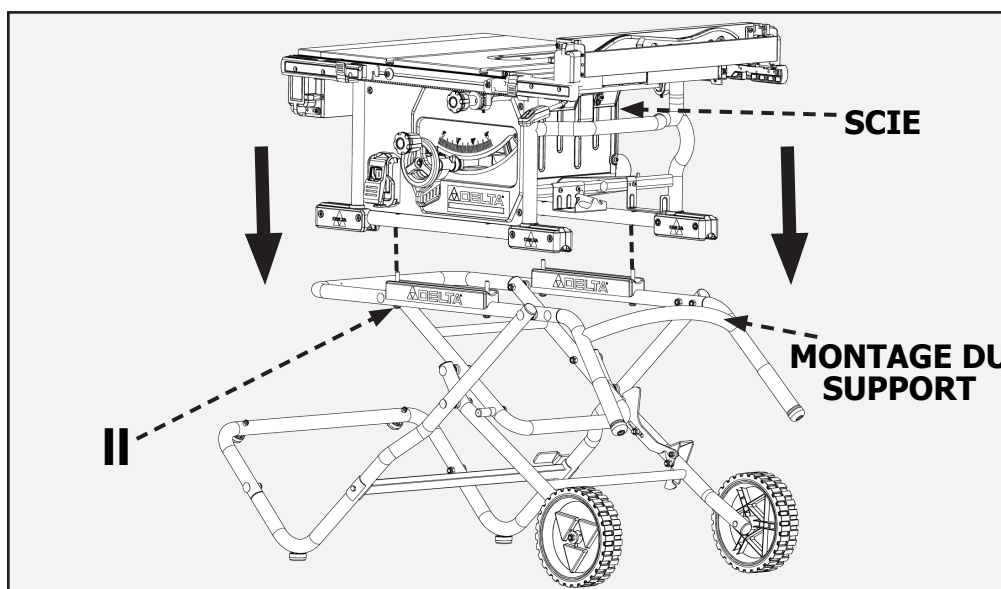


FIGURE 10

Placer la scie sur le support et aligner les trous filetés dans la scie avec les trous du support et fixer avec quatre boulons à tête creuse M8 x 55 (II). Voir figure 10.

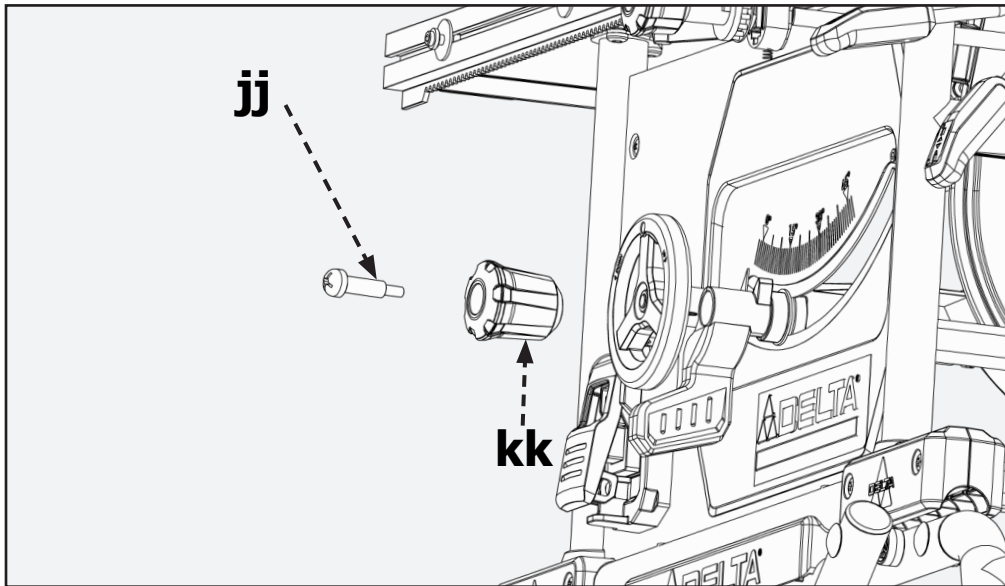


FIGURE 11

## Installation du bouton de réglage de hauteur

1. Insérer la vis à épaulement de la poignée de la roue (jj) dans le bouton de réglage de hauteur de la roue (kk), tel qu'illustré à la figure 11.
2. Serrer la vis à épaulement avec le tournevis Phillips dans la molette. La molette de réglage de la hauteur doit tourner librement autour de la vis à épaulement lors du lever ou de l'abaissement de la lame avec la molette de réglage de hauteur.

# MONTAGE

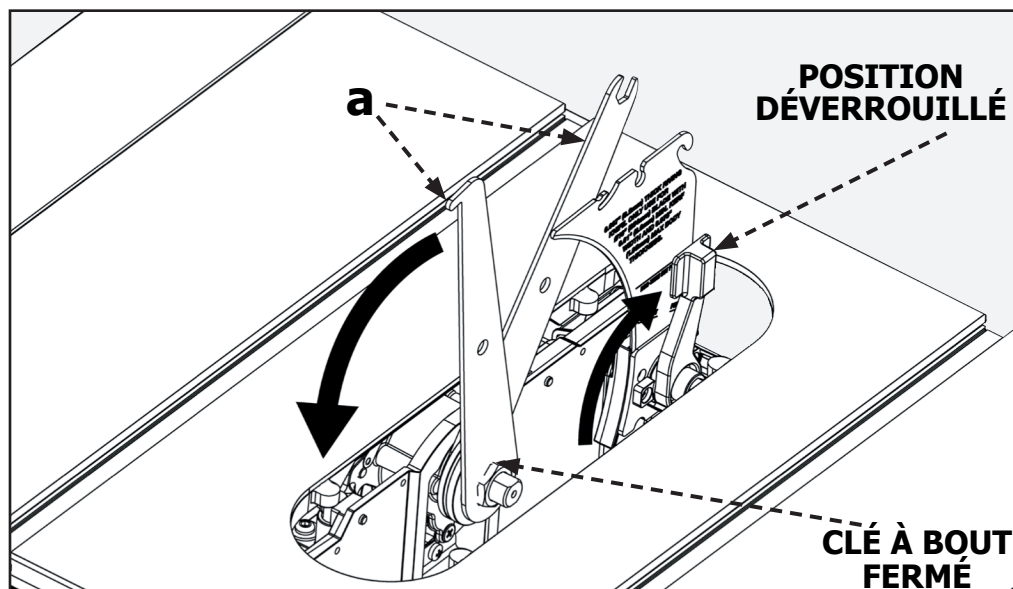


FIGURE 12

## LAME ET PROTECTIONS

### Fixer la lame

Après avoir installé le bouton de réglage de hauteur comme indiqué à la figure 11, lever l'ensemble du moteur/mandrin à la position la plus haute pour fournir un accès facile au levier de verrouillage du couteau diviseur et de l'ensemble du mandrin.

S'assurer que le levier de verrouillage du couteau diviseur est en position déverrouillée. Voir figure 12.

Détacher les clés intégrées situées sur le côté droit de la scie en desserrant et en enlevant les vis papillon M8.

Placer la clé à fourche (a) sur l'épaulement d'arbre entre l'ailette du mandrin et de la bride intérieure. Placer la clé à bout fermé (a) sur l'écrou du mandrin. Tenir l'arbre de broche en place, desserrer et retirer l'écrou de l'arbre et la bride de l'arbre.

Voir figure 12. **REMARQUE:** Utilisez uniquement des lames de 10 "(254 mm) de diamètre avec des trous de 5/8" (16 mm), prévus à 5 000 tr / min ou plus, 0,10 "(2,6 mm) min. largeur de trait et épaisseur de corps maximale de 1,83 mm (0,073 po). N'utilisez que des lames de 10 po conçues pour la coupe du bois. Utilisez uniquement un diamètre de lame conforme aux indications de la scie.

# ASSEMBLY

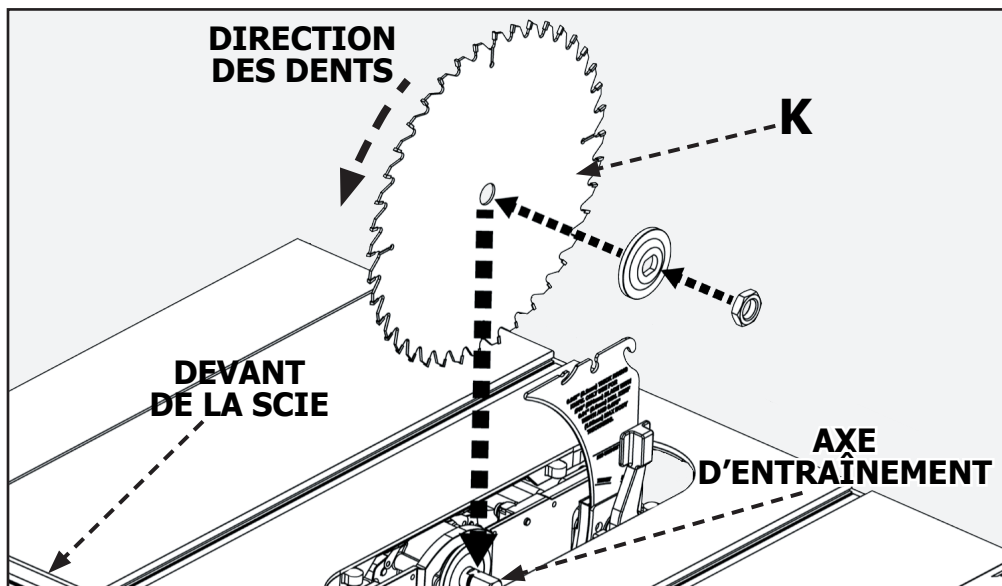


FIGURE 13

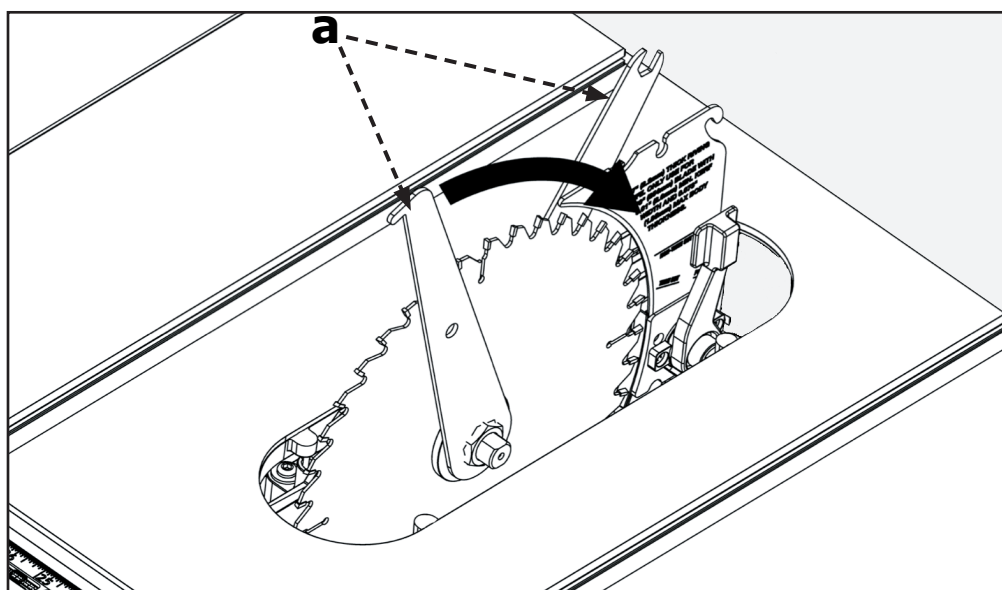


FIGURE 14

Placer la lame (K) sur l'axe d'entraînement avec les dents de la lame tournées vers l'avant de la scie. Placer la rondelle à bride sur l'arbre avec le grand côté de la rondelle contre la lame, puis fixer la lame avec écrou. (Figure 13)

Serrer l'écrou avec les clés de la lame (a). La clé à fourche entrera dans l'arbre entre la rondelle d'accouplement et le moteur (si nécessaire, tourner l'arbre pour aligner sur l'arbre à la clé). La clé à extrémité fermée entrera dans l'écrou. Voir figure 14.

Replacer les clés (a) dans le panneau de rangement.

Positionner le couteau diviseur à la position « coupe complète » avant l'installation de la plaque à gorge.

Les détails pour positionner le couteau diviseur se trouvent à la page 86, à la section POSITION DU COUPEAU DIVISEUR ET ALIGNEMENT.

Voir figure 15.

# MONTAGE

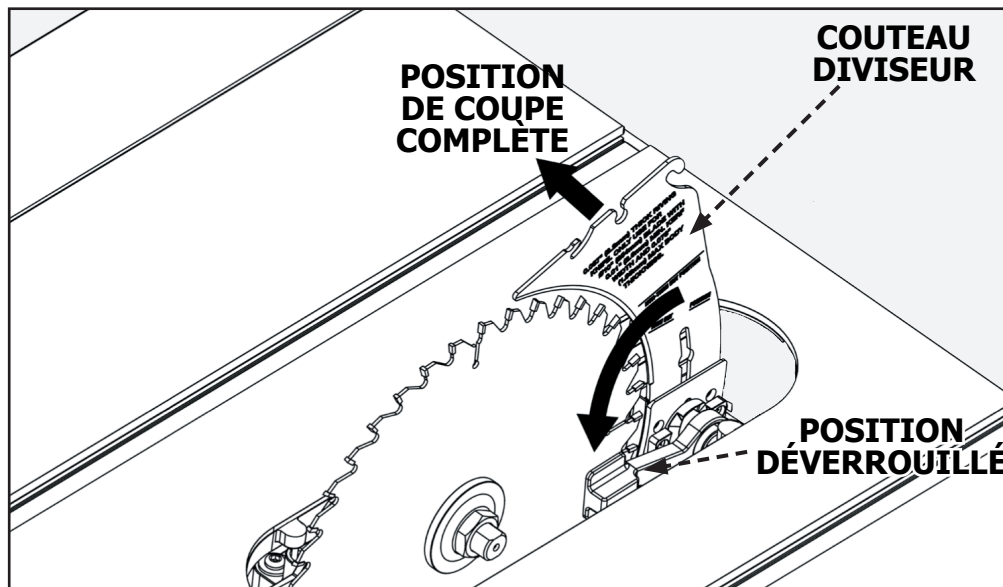


FIGURE 15

**⚠ AVERTISSEMENT** Pour réduire le risque de blessures,

- le couteau diviseur doit être installé pour chaque coupe complète et pour chaque coupe incomplète à moins que le couteau diviseur nuise à la coupe.
- Le couteau diviseur fourni avec la scie à table doit être plus épais que le corps des lames de scie correspondantes fournies avec la scie à table, mais plus mince que la largeur de trait de scie de ces lames.
- toujours utiliser une lame de la bonne épaisseur correspondant au couteau diviseur. (0,10 po (2,6 mm) largeur min du trait de coupe et 0,73 po (1,85 mm) d'épaisseur du corps max.)
- Le couteau diviseur doit être à la position « HAUT » ou « coupe complète » lors de l'utilisation des griffes anti-rebond et du protège-lame.
- S'assurer que le couteau diviseur est correctement aligné sur la lame. (Voir Position et alignement du couteau diviseur, page 86.)

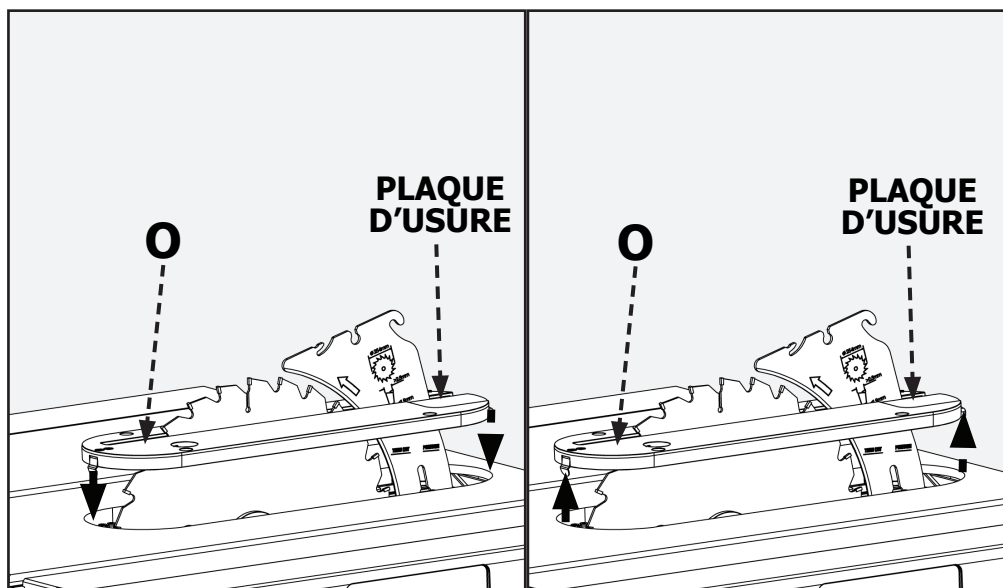


FIGURE 16

## INSÉRER LA PLAQUE À GORGE

Reportez-vous à la figure 16.

Placer la plaque de la gorge (O) en place avec la plaque d'usure à l'arrière.

Engager la patte arrière sur la plaque à gorge sous la table et appuyer sur l'extrémité avant vers le bas jusqu'à ce que la patte avant se mette en place sur la table. Pour retirer la plaque à gorge, abaissez la lame sous le plateau, puis faites glisser délicatement la plaque à gorge de l'arrière de la table vers l'avant, en maintenant la lame centrée dans la fente de la plaque à gorge.

# MONTAGE

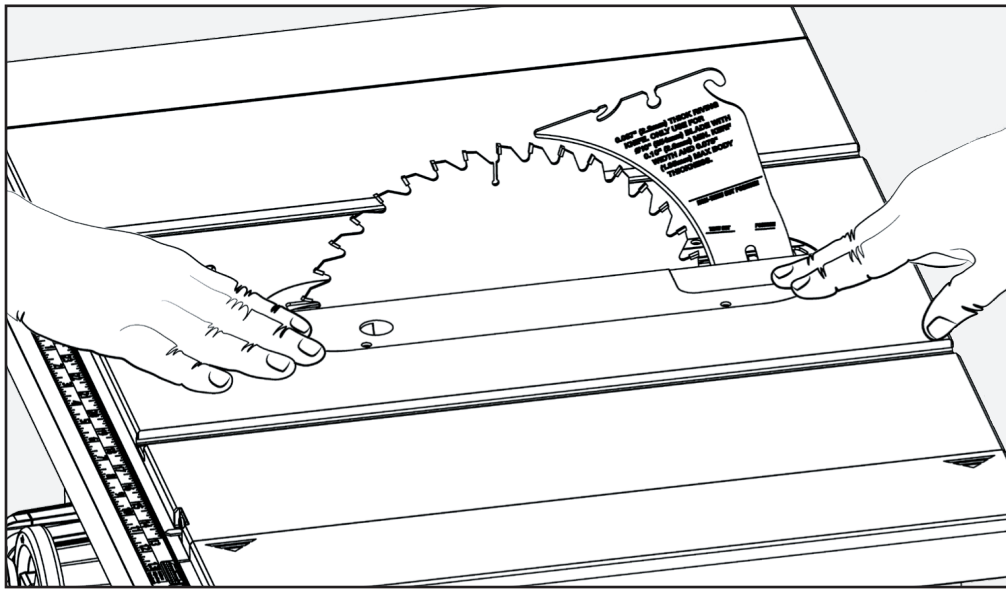


FIGURE 17

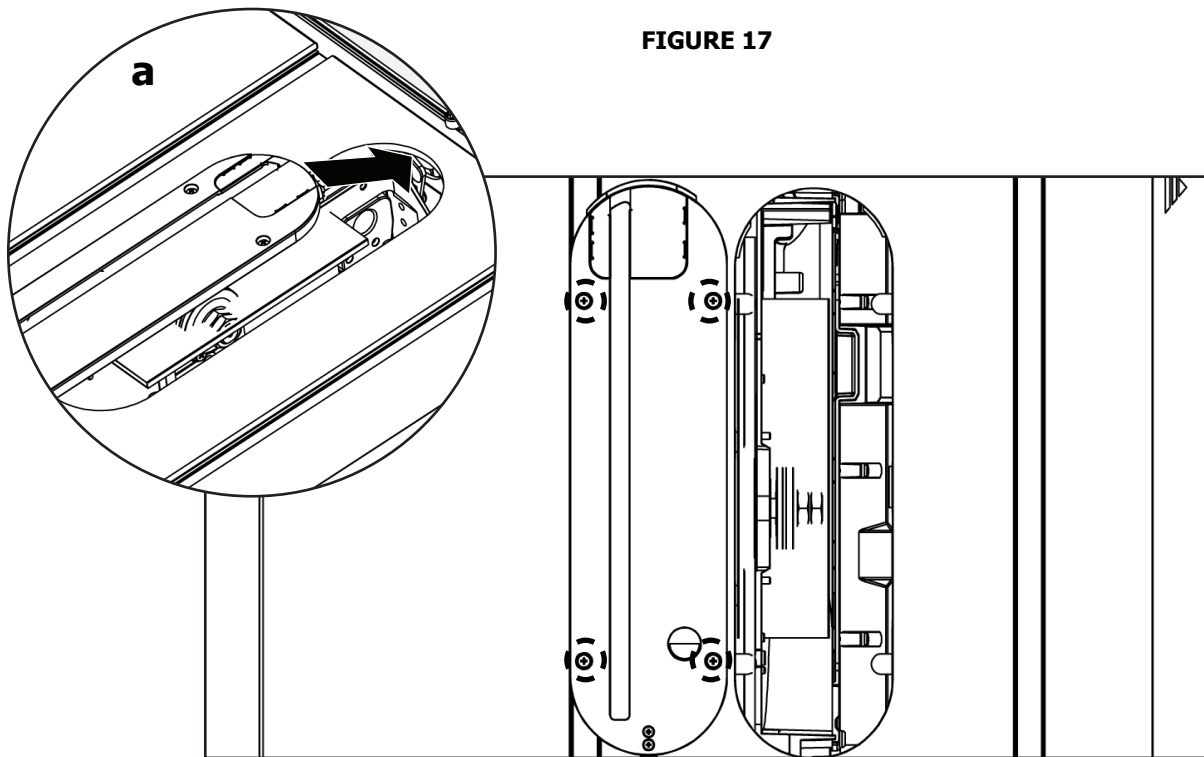


FIGURE 18

Placer la plaque de la gorge au niveau de la table en utilisant (4) vis à tête plate. Voir figures 17 et 18. Pour plus de détails sur le nivellement de la plaque à gorge, voir page 77.

Pour installer la plaque de gorge, glissez la patte dans la fente à l'arrière de la scie et poussez-la vers le bas pour la maintenir en place.

**REMARQUE :** Il y a une cinquième vis à tête plate sous la plaque à gorge ajustée pour fournir un appui sous la plaque d'usure. Régler cette vis au besoin pour fournir un appui.

**⚠ AVERTISSEMENT** Pour réduire les risques de blessures graves, ne pas essayer de fixer la plaque à gorge à la table à l'aide des vis de nivellement de la plaque à gorge.

**Remarque:** Il y a quatre vis préassemblées à la plaque de gorge que vous pouvez utiliser pour mettre à niveau la plaque de gorge si nécessaire. Tourner les vis dans le sens des aiguilles d'une montre pour soulever la plaque de gorge, dans le sens contraire des aiguilles d'une montre pour l'abaisser. La plaque doit être égale ou légèrement inférieure à la surface de la table. La plaque ne doit pas se situer au-dessus ou à plus de 0,7 mm (1/4 po) sous la table du côté de l'alimentation. Lors de la sortie, la plaque latérale doit être au-dessous ou au plus à 1/4 de pouce (0,7 MM) au-dessus du tableau.



# MONTAGE

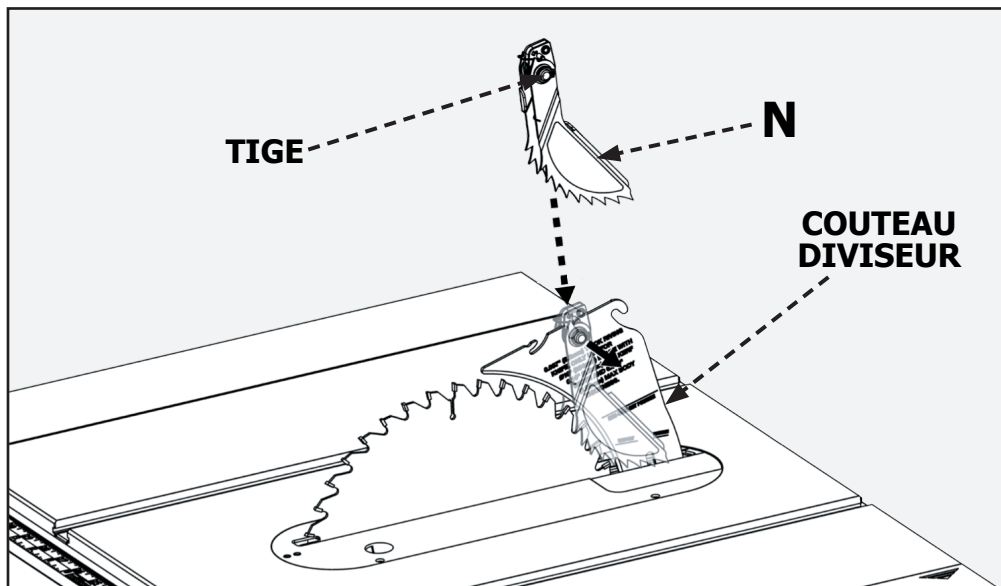


FIGURE 19

## DOIGTS ANTI-RETOUR ET PROTÈGE-LAME

### DOIGTS ANTI-RETOUR

**⚠ AVERTISSEMENT** Pour réduire le risque de blessures graves, les doigts anti-retour doivent être en place lorsque vous effectuez une coupe traversante.

Pour retirer les doigts anti-retour, appuyez sur la tige (B) et tirez l'ensemble de doigts anti-retour hors du couteau diviseur.

1. Reportez-vous à la Figure 19 et localisez la fente de montage des doigts anti-retour (A) au milieu du bord supérieur du couteau diviseur.
2. Faites coulisser la fente au milieu de l'ensemble de doigts anti-retour le long de la partie supérieure du couteau diviseur jusqu'à ce que la tige (B) localise la fente centrale sur le couteau diviseur.
3. Enfoncez la tige sur l'ensemble de doigts anti-retour (B) pour permettre à l'ensemble de tomber dans la fente. Appuyez sur l'ensemble de doigts anti-retour jusqu'à ce qu'il s'enclenche et se verrouille. Relâchez la tige. **REMARQUE** : Tirez sur les doigts anti-retour pour vous assurer qu'ils sont bien verrouillés en place.

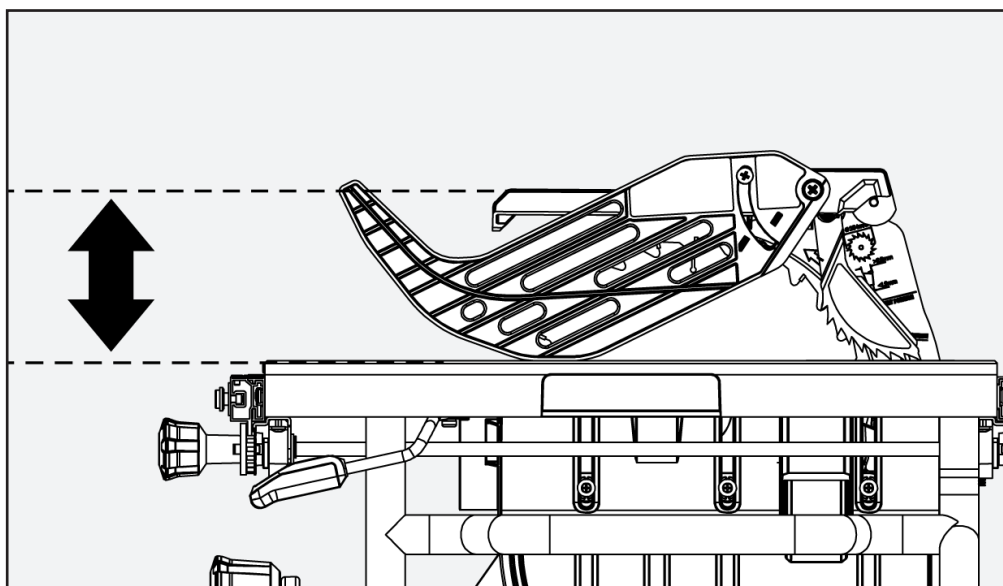


FIGURE 19B

Si le protège-lame n'est pas parallèle à la table, le couteau diviseur n'est pas en position relevée (traversée). Soulevez et abaissez chaque côté du protège-lame pour vérifier le libre mouvement du système de protection. Assurez-vous que le système de protection peut être suffisamment élevé pour dégager votre pièce. **Remarque**: l'alignement de la lame avec le couteau diviseur peut être ajusté. Reportez-vous à la section: Vérification et alignement du couteau diviseur et de la lame de scie, page 86. Vérifiez que le protège-lame ne comporte ni jeu ni mouvement.

# MONTAGE

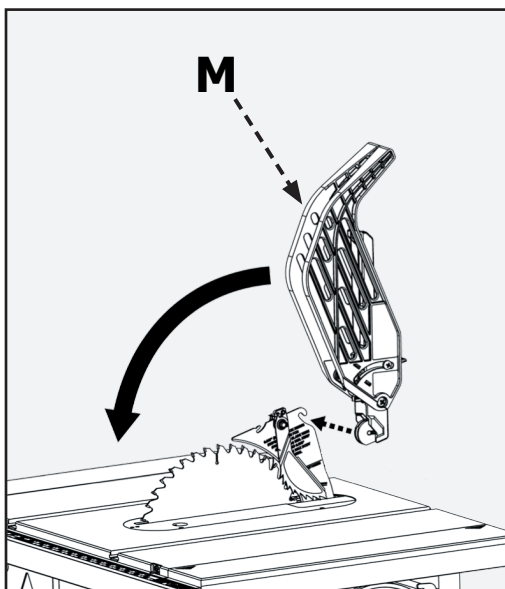


FIGURE 20

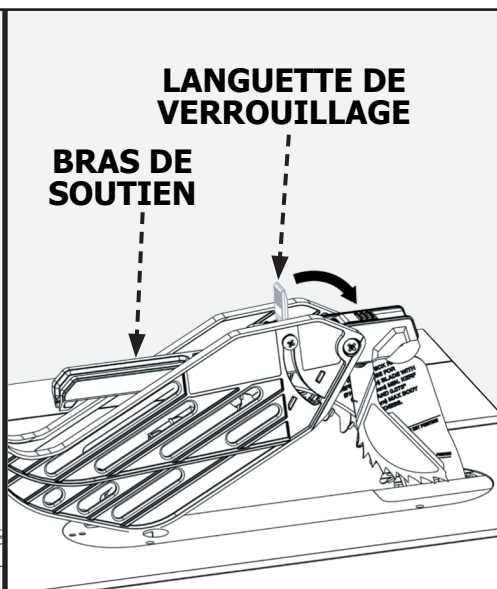


FIGURE 21

## PROTÈGE-LAME

### ⚠ AVERTISSEMENT

Pour réduire le risque de blessures graves, le protège-lame doit être en place lorsque vous effectuez une coupe transversante.

1. Tout en maintenant l'ensemble protège-lame (A) en position verticale, accrochez le goujon de guidage (B) à l'extrémité arrière de l'ensemble protège-lame dans la fente sur le bord arrière du couteau diviseur.
2. Faites tourner l'ensemble protège-lame vers l'avant de la scie jusqu'à ce que la partie métallique (C) de l'ensemble protège-lame soit parallèle à la table comme le montre la Figure 20.
3. Tout en maintenant enfoncé l'avant de la partie métallique du protège-lame (C), appuyez sur le levier de verrouillage du protège-lame (D) jusqu'à ce qu'il s'enclenche en position verrouillée. Assurez-vous que le protège-lame est verrouillé sur le couteau diviseur en tirant sur le protège-lame. Si le protège-lame n'est pas verrouillé, le levier de verrouillage du protège-lame retournera à la position déverrouillée.

### ⚠ AVERTISSEMENT

Si la partie métallique de l'ensemble protège-lame (C) n'est pas parallèle à la table, le couteau diviseur n'est pas dans la position relevée. Retirez l'ensemble protège-lame et les doigts anti-retour et relevez le couteau diviseur, puis réinstallez les doigts anti-retour et l'ensemble protège-lame.

Pour retirer l'ensemble protège-lame :

1. Soulevez le levier de verrouillage du protège-lame (D) à la position déverrouillée.
2. Tournez le protège-lame vers l'arrière et faites glisser le goujon (B) hors de la fente du couteau diviseur.

**REMARQUE:** Si le protège-lame n'est pas parallèle à la table, le couteau diviseur n'est pas en position relevée (traversée). Soulevez et abaissez chaque côté du protège-lame pour vérifier le libre mouvement du système de protection. Assurez-vous que le système de protection peut être suffisamment élevé pour dégager votre pièce.

**REMARQUE:** l'alignement de la lame avec le couteau diviseur peut être ajusté. Voir: RÉGLAGES DE HAUTEUR DE COUPEAU À PIVOT, page 86. Vérifiez que le protège-lame présente un jeu suffisant.

# MONTAGE

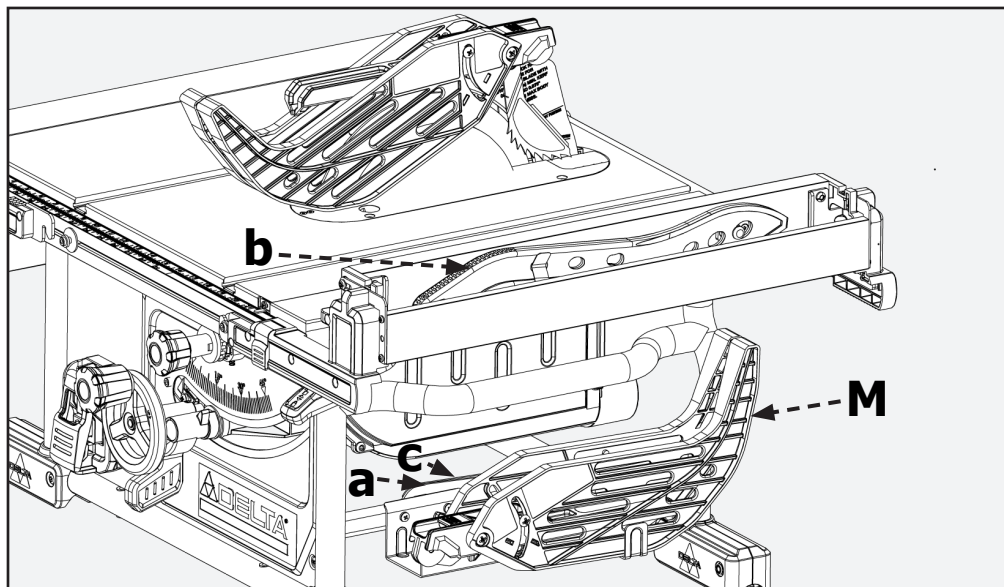


FIGURE 22

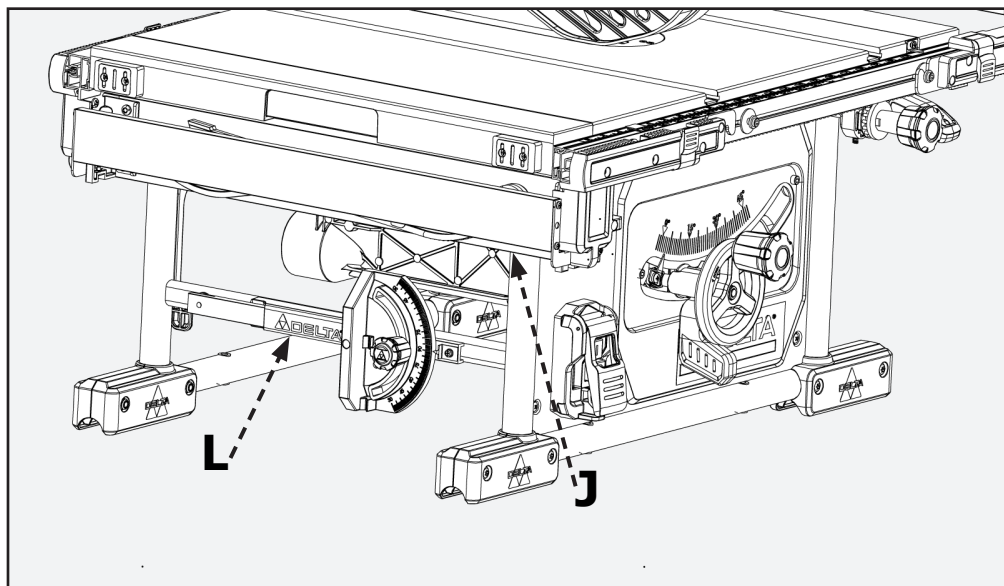


FIGURE 23

**REMARQUE:** Avant de placer le guide de refente dans la position de stockage, vous devez temporairement retirer la jauge d'onglet à partir de la position de stockage.

## RANGEMENT

Les espaces de rangements sont situés sur le panneau de gauche, sur le panneau de droite et sur le côté arrière de l'outil, comme illustré dans les figures 22 et 23.

- b. Poussoir
- N. Ensemble anti-rebond
- a. Clés
- M. Ensemble du protège-lame
- J. Guide
- L. Guide d'onglets
- c. Rangement des couteaux

# FONCTIONNEMENT

**⚠ AVERTISSEMENT** Le non-respect des avertissements suivants peut entraîner des blessures graves.

**LIRE LE MANUEL EN ENTIER.** En plus de lire ces instructions de fonctionnement, il est important de lire et comprendre le manuel en entier avant d'utiliser cette scie. Suivez toutes les instructions en vigueur concernant l'assemblage, la préparation et l'ajustement avant d'effectuer des coupes et conformez-vous à toutes les règles de sécurité et tous les avertissements dans **cette** section et dans le reste de ce manuel.

1. Chaque fois que vous utilisez la scie, parcourez la liste de vérification suivante :
  - La source d'alimentation et les raccordements électriques sont-ils adaptés à la scie?
  - La scie et la zone de travail sont-elles libres de tout encombrement et de spectateurs?
  - La lame est-elle bien serrée et bien alignée?
  - L'épaisseur du couteau diviseur correspond-elle à la lame?
  - La lame et le couteau diviseur sont-ils correctement alignés?
  - L'opérateur est-il qualifié pour effectuer des coupes et s'est-il familiarisé avec l'ensemble des règles, avertissements et instructions de sécurité figurant dans ce manuel?
  - L'opérateur et les autres personnes se trouvant à proximité de la scie portent-ils des équipements de protection oculaire, auditive et respiratoire adéquats?
  - Les boutons de réglage de l'angle de biseau et de la hauteur sont-ils verrouillés dans la bonne position?
  - La lame est-elle réglée à la bonne hauteur?
  - En cas de coupes longitudinales, le guide longitudinal est-il parallèle à la lame et est-il bien verrouillé en position?
  - En cas de coupes transversales, le bouton du guide à onglets est-il bien serré?
  - En cas de coupes traversantes avec une lame standard, le protège-lame, le couteau diviseur et les doigts anti-retour sont-ils correctement reliés et fonctionnent-ils correctement avec les deux protèges-lame en contact avec la surface de la table?
  - Y a-t-il un dégagement et un soutien adéquats pour la pièce lorsqu'elle quitte la lame?

- Des accessoires de coupe sont-ils nécessaires? Si oui, sont-ils en place ou à portée de main pour une utilisation correcte?
2. L'utilisation de pièces et accessoires non recommandés par DELTA® Power Equipment Corporation peut entraîner des blessures.
  3. Remplacez ou affûtez les doigts anti-retour lorsque les pointes deviennent ternes.
  4. Assurez-vous que la scie est stable et que la coupe peut être réalisée sans renverser la scie. N'essayez pas de couper de grandes pièces sans fixer la scie à une surface stable. Pour fixer correctement la scie, voir les instructions dans la section intitulée Fixer la scie au sol à de ce manuel.
  5. Ne jamais utiliser la butée et le guide à onglets en même temps sans l'aide d'un bloc coupée, comme décrit précédemment.
  6. La plaque à gorge appropriée doit être en place en permanence.
  7. Si votre scie produit un bruit étrange ou si elle vibre excessivement, arrêtez-la immédiatement jusqu'à ce que la cause soit localisée et le problème corrigé.
  8. Ne jamais effectuer de coupe à main levée, coupe en plongée, recoupe ou coupe courbée.

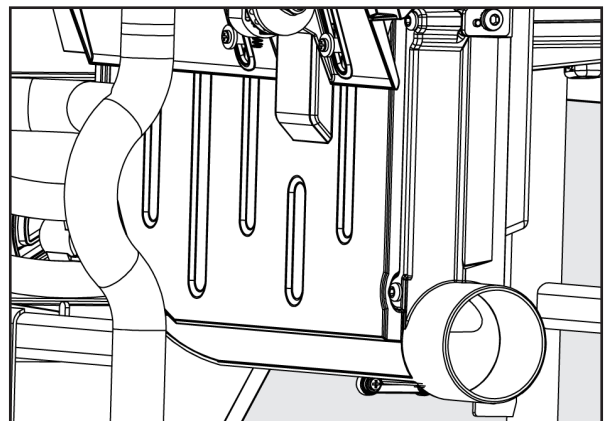
## ÉVITER LE REBOND

Un rebond peut se produire lorsque la pièce pince la lame ou se coince entre la lame et le guide longitudinal ou tout autre élément fixe. Cela peut entraîner le soulèvement et/ou la projection de la pièce vers l'opérateur. Voir les instructions pour réduire le risque de rebond à la page 38 de ce manuel.

**EN CAS DE REBOND**, éteignez la scie (« OFF ») et vérifiez le bon alignement de la lame, du couteau diviseur et du guide à onglets ou du guide longitudinal et le bon fonctionnement du couteau diviseur, de l'ensemble anti-retour et de l'ensemble protège-lame avant de reprendre le travail.

## COLLECTEUR DE POUSSIÈRE

Branchez un aspirateur ou un tuyau de dépoussiérage d'atelier sur l'orifice à poussière situé à l'arrière de la scie pour obtenir un dépoussiérage optimal.



Exemple 1

# FONCTIONNEMENT

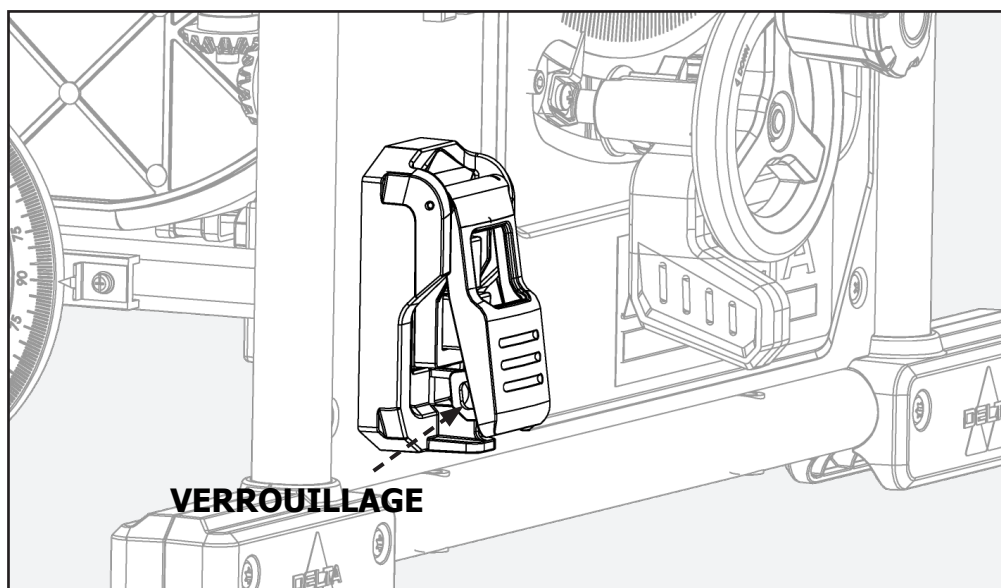


FIGURE 24

## METTRE EN MARCHÉ ET ARRÊTER LA SCIE

Pour plier le support pour le déplacer, retourner la table latérale et la table arrière à la position interne et verrouiller l'extension en place.

Ranger le guide longitudinal et le guide d'onglets. Saisir la barre de poignée, appuyer sur la pédale de relâchement avec le pied et incliner vers le haut et l'avant jusqu'à la scie repose sur les roues et les pieds du support.

Voir figures 25 et 26. .

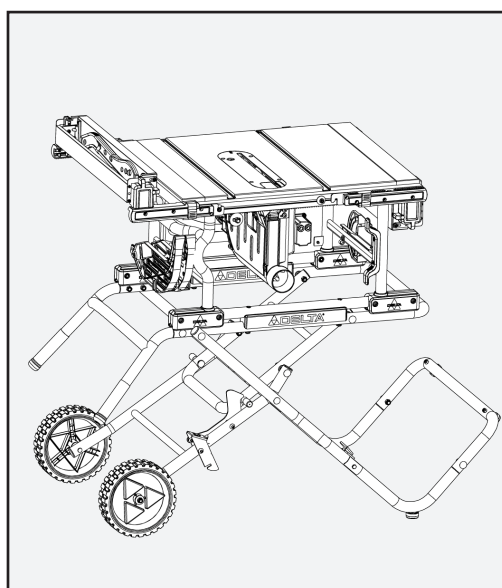


FIGURE 25

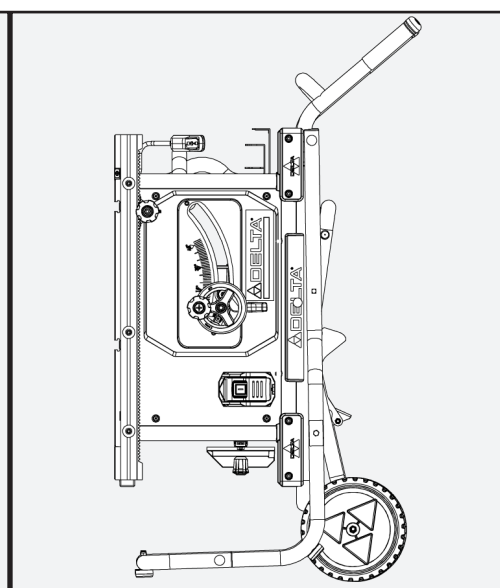


FIGURE 26

## TRANSPORT DE LA SCIE

Pour plier le support pour le déplacer, retourner la table latérale et la table arrière à la position interne et verrouiller l'extension en place.

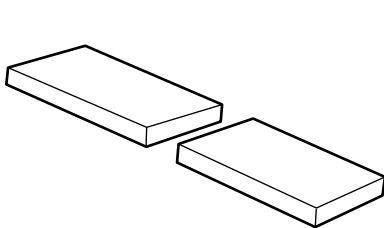
Ranger le guide longitudinal et le guide d'onglets. Saisir la barre de poignée, appuyer sur la pédale de relâchement avec le pied et incliner vers le haut et l'avant jusqu'à la scie repose sur les roues et les pieds du support.

Voir figures 25 et 26.

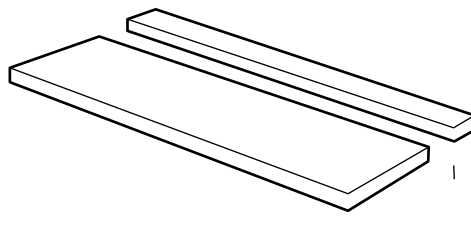
# EFFECTUER DES COUPES

**Le non-respect des consignes suivantes peut entraîner des blessures graves.**

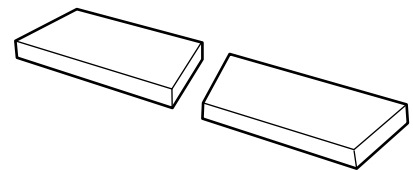
- Ne jamais toucher l'extrémité libre de la pièce ou d'une pièce libre qui est coupée, tandis que l'appareil est sous tension et/ou que la lame de la scie tourne. Un contact avec la lame ou un blocage pourrait se produire, projetant la pièce de travail.
- Lors du sciage d'une longue pièce ou d'un panneau, utiliser un support de travail, comme un chevalet, des rouleaux ou une table de sortie à la même hauteur que la surface de la table de la scie.
- Ne jamais essayer de retirer la pièce ou la soulever de la table, éteindre l'interrupteur, laisser la lame s'arrêter, soulever les griffes anti-rebond de chaque côté du couteau diviseur, si nécessaire, et faire glisser la pièce.
- Avant de brancher la scie à la source d'alimentation ou de faire fonctionner la scie, toujours vérifier l'ensemble du protège-lame et couteau diviseur pour un bon alignement et l'espace avec la lame de la scie. Vérifier l'alignement après chaque changement d'angle de biseautage.
- Le guide longitudinal doit toujours être utilisé pour les coupes longitudinales pour éviter la perte de contrôle et des blessures. Toujours verrouiller le guide au rail. NE JAMAIS effectuer une coupe longitudinale à main levée.
- Lorsque vous effectuez des coupes en biais, placer le guide sur le côté droit de la lame de telle sorte que la lame soit inclinée de l'autre côté du guide et des mains. Garder les mains éloignées de la lame et utiliser un poussoir pour faire avancer la pièce à moins que la pièce soit assez grande pour vous permettre de la tenir à plus de 6 pouces (152 mm) de la table.
- Avant de laisser la scie sans surveillance, verrouiller l'interrupteur d'alimentation, ou prendre d'autres mesures appropriées pour prévenir l'utilisation non autorisée de la scie.



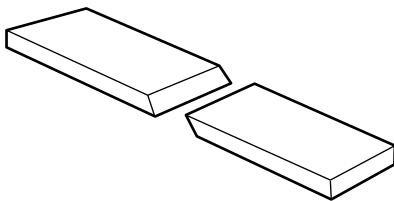
**Coupe transversale**



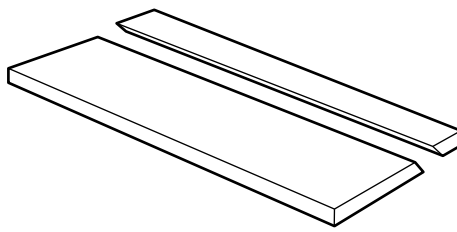
**Coupe longitudinale**



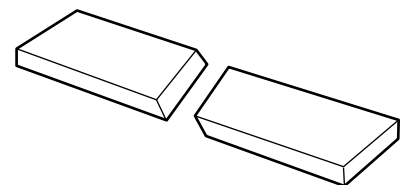
**Coupe d'onglet transversale**



**Coupe transversale biseautée**



**Coupe longitudinale biseautée**



**Coupe d'onglet composée**

# EFFECTUER DES COUPES

## COUPES LONGITUDINALES

- Découpe à la déchirure: la coupe à la déchirure est effectuée principalement dans une direction parallèle au grain du bois.
- Assurez-vous que la lame est parallèle à la fente du calibre d'onglet avant de couper. Instructions de réglage à la page 74.

1. Retirer le guide d'onglets.
2. S'assurer que l'angle de biseau est réglé à 0.
3. Régler la lame à la bonne hauteur pour la pièce de travail.
4. Installer le guide longitudinal et le verrouiller parallèlement et à distance souhaitée de la lame.
5. Garder les doigts à au moins 6 pouces de la lame en tout temps. Si la main ne peut pas être placée en toute sécurité entre la lame et le guide longitudinal, sélectionner une pièce plus grande ou utiliser un poussoir et autres aides de coupe, si nécessaire, pour contrôler la pièce.
6. S'assurer que la pièce est à au moins 1 pouce, ou 25 mm, de distance de la lame avant de démarrer la scie.
7. Mettre la scie en marche.
8. Tenir la pièce à plat sur la table et contre le guide (A). La pièce doit avoir un bord droit contre le guide et ne doit pas être déformée, tordue ou courbée. Voir la bonne position des mains à la figure 27.
9. Laisser la lame atteindre sa vitesse maximale avant de déplacer la pièce vers la lame.
10. Les deux mains peuvent être utilisées lors du démarrage de la coupe aussi longtemps qu'elles restent à 6 pouces de la lame.
11. Garder la pièce contre la table et le guide et pousser lentement la pièce vers l'arrière complètement dans la lame de scie. Ne pas surcharger le moteur en forçant la pièce dans la lame.

12. Utiliser le poussoir et d'autres aides de coupe, si nécessaire, pour maintenir la pièce contre la table et le guide, et pousser la pièce au-delà de la lame. Un poussoir est inclus avec cette scie, et des directives sont incluses pour fabriquer des poussoirs supplémentaires et d'autres aides de coupe.
13. Ne pas pousser ou se tenir sur le côté libre ou de coupe de la pièce.
14. Continuer à pousser la pièce jusqu'à ce qu'elle ait dépassé la lame. Ne pas surcharger le moteur en forçant la pièce dans la lame.
15. Lorsque la coupe est terminée, arrêter la scie. Attendre que la lame vienne à un arrêt complet avant de retirer la pièce de la table.

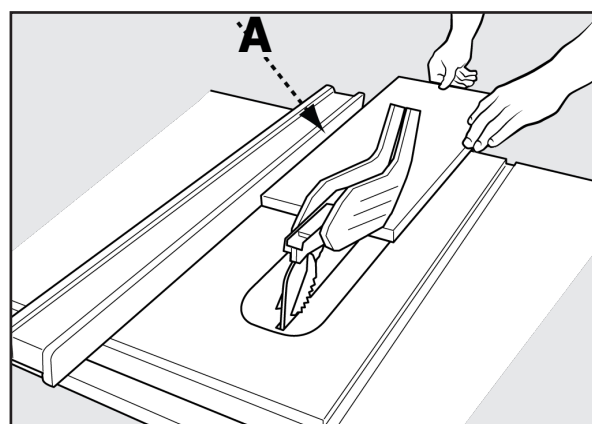


FIGURE 27

## COUPE LONGITUDINALE EN BISEAU

Les coupes longitudinales en biseau sont pareilles aux coupes longitudinales sauf que l'angle de biseau (A) est réglé à un angle autre que 0. Lors des coupes longitudinales en biseau, placer le guide sur le côté droit de la lame de telle sorte qu'elle soit inclinée de l'autre côté du guide et des mains.

Voir figure 28

- Ne tentez pas d'effectuer des coupes à onglets combinées, avec la lame en biseau et le guide d'onglets, avant d'être entièrement familier avec les coupes de base et de bien comprendre les méthodes de prévention des reculs.
- Évitez les coupes en biseau avec une majorité de matériau sur le côté gauche de la lame.

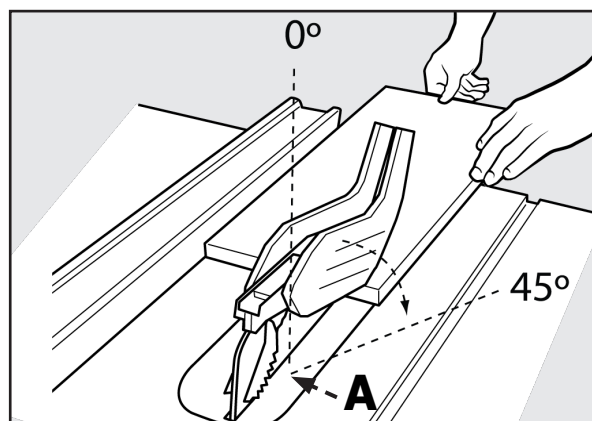


FIGURE 28

# EFFECTUER DES COUPES

## COUPES TRANSVERSALES

- Coupe transversale: La coupe transversale est effectuée principalement dans une direction perpendiculaire au grain du bois.
- Assurez-vous que la lame est parallèle à la fente du calibre d'onglet avant de couper. Instructions de réglage à la page 74.

### ⚠ AVERTISSEMENT

- **NE JAMAIS** utiliser le guide comme butée de longueur lors de coupes transversales, sauf si vous utilisez le guide comme décrit à la page 76, figure 37, de ce guide.
- La pièce de découpe ne doit jamais être confinée dans toute coupe complète (coupe complète à travers la pièce) pour éviter de pincer la lame, ce qui peut entraîner que la pièce soit projetée et causer des blessures.
- Lors de l'utilisation d'un bloc comme jauge de coupure, le bloc doit être d'au moins 3/4 po (19 mm) d'épaisseur. Il est très important que l'extrémité arrière du bloc soit fixée à une position à laquelle la pièce est dégagée du bloc avant son entrée dans la lame pour empêcher que la pièce se coince. Vous pouvez utiliser le guide d'onglet dans l'une ou l'autre des fentes de table lors de coupes non biseautées. Pour augmenter la surface de la face du guide d'onglet, ajouter une face auxiliaire (voir la section sur les aides de coupe à la page 74 de ce guide.)

**Pour faire une coupe transversale, reportez-vous à la figure 38 et suivre ce processus :**

1. Retirer le guide longitudinal.
2. S'assurer que l'angle de biseau est réglé à 0°.
3. Régler la lame à la bonne hauteur pour la pièce de travail.
4. Placer le guide d'onglet dans l'une des fentes.
5. Régler le guide d'onglet à 90° et serrer le bouton de verrouillage.
6. Les mains doivent rester à au moins 6 pouces de la

## COUPES TRANSVERSALES EN BISEAU

Les coupes transversales en biseau sont pareilles aux coupes transversales sauf que l'angle de biseau (A) est réglé à un angle autre que 0°. Lors d'une coupe transversale en biseau, placer le guide d'onglet dans la fente d'onglet à droite de sorte que la lame soit inclinée de l'autre côté de la jauge et des mains. Voir figure 36

## COUPES D'ONGLETS

Les coupes d'onglets sont des coupes transversales avec le guide d'onglets réglé à un angle autre que 90°. Le guide d'onglets peut être réglé à l'un des 8 angles de butée positive ou comme désiré à un incrément individuel d'angle.

### ⚠ AVERTISSEMENT

- Les angles d'onglet de plus de 45° peuvent forcer l'ensemble du protège-lame dans la lame de la scie et causer des dommages à l'ensemble du protège-lame et des blessures. Avant de démarrer le moteur, vérifier le fonctionnement en poussant la pièce dans l'ensemble du protège-lame. Si l'ensemble du protège-lame entre en contact avec la lame, placer la pièce sous l'ensemble du protège-lame, mais ne touchant pas la lame, avant de démarrer le moteur.

lame pendant toute la coupe. Si la pièce est trop petite pour garder les mains à au moins 6 pouces de la lame, sélectionner une pièce plus grande, ou joindre une face auxiliaire au guide d'onglets et fixer la pièce à face auxiliaire; pour des directives sur les faces auxiliaires, voir la section sur les aides de coupe à la page 80 de ce guide.

7. S'assurer que la pièce est à au moins 1 pouce, ou 25 mm de distance de la lame, avant de démarrer la scie.
8. Mettre la scie en marche.
9. Laisser la lame atteindre sa vitesse maximale avant de déplacer la pièce vers la lame.
10. La main la plus proche de la lame doit être placée sur bouton de verrouillage du guide d'onglet et la plus éloignée de la lame doit tenir la pièce fermement contre la face du guide d'onglet. Ne pas pousser ou se tenir sur le côté libre ou de coupe de la pièce.
11. Pousser lentement la pièce vers l'arrière complètement dans la lame de la scie. Ne pas surcharger le moteur en forçant la pièce dans la lame.
12. Lorsque la coupe est terminée, arrêter la scie. Attendre que la lame vienne à un arrêt complet avant de retirer la pièce de la table.

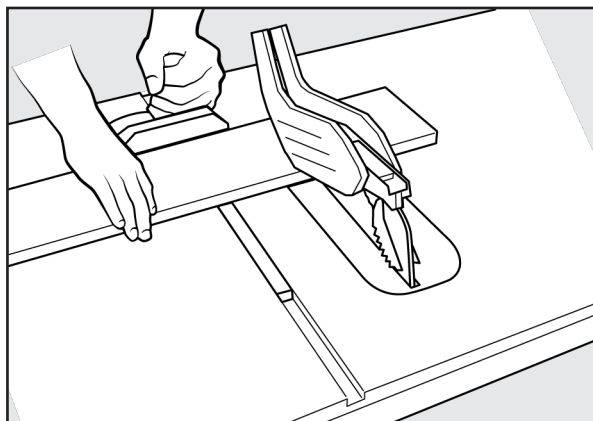


FIGURE 29

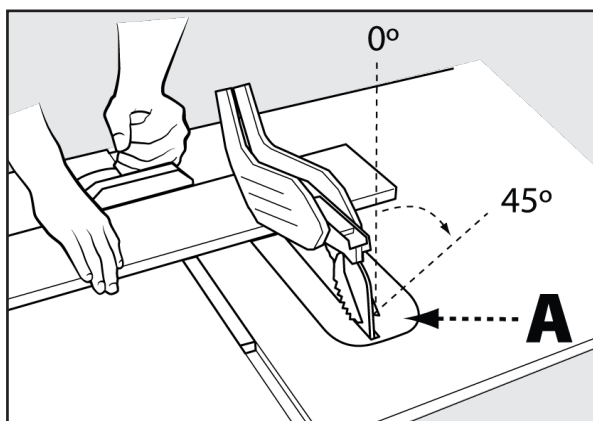


FIGURE 30

- Certaines formes de pièces, telles que les moulures peuvent ne pas lever l'ensemble du protège-lame correctement. Avec la mise hors tension, pousser la pièce lentement dans la zone du protège-lame et jusqu'à ce que la pièce touche la lame. Si l'ensemble du protège-lame entre en contact avec la lame, placer la pièce sous l'ensemble du protège-lame, mais ne touchant pas la lame, avant de démarrer le moteur.



# EFFECTUER DES COUPES

## COUPES D'ONGLETS COMPOSÉES

Ceci est une combinaison de coupe transversale en biseau et d'onglet. Voir la figure 31 et suivre les directives pour les coupes transversales en biseau et d'onglet. Utiliser la fente d'onglet à droite sur le côté droit de la lame pour toutes les coupes en biseau.

## COUPES DE GRANDS PANNEAUX

Placer les supports de pièce à la même hauteur que la table de scie, derrière la scie pour soutenir la pièce de coupe, et aux côtés de la scie, au besoin. Selon la forme du panneau, utiliser le guide longitudinal ou le guide d'onglet pour contrôler la pièce. Si une pièce est trop grande pour utiliser un guide longitudinal ou le guide d'onglet, elle est trop grande pour cette scie.

## COUPES INCOMPLÈTES

L'utilisation d'une coupe incomplète est essentielle pour tailler des rainures et des feuillures. Les coupes incomplètes peuvent être réalisées en utilisant une lame standard ayant un diamètre de 10 pouces.

Les coupes incomplètes sont le seul type de coupes qui devraient être faites sans l'ensemble du protège-lame installé. S'assurer que l'ensemble du protège-lame est réinstallé à la fin de ce type de coupe.

### ⚠ AVERTISSEMENT

- Pour les coupes incomplètes, suivre tous les avertissements et les directives indiqués ci-dessous, en plus de ceux énumérés ci-dessus pour la coupe en question.
- Lors d'une coupe incomplète, la lame est couverte par la pièce pendant presque toute la coupe. Il faut être attentif à la lame exposée au début et à la fin de chaque coupe.

## EFFECTUER UNE COUPE INCOMPLÈTE

- Une fois que vous avez complété toutes vos coupes non traversantes, débranchez la scie et remplacez le couteau séparateur en position surélevée. Réinstallez aussi les cliquets antirecul et le protège-lame.
  1. Débrancher la scie.
  2. Déverrouiller le verrouillage de biseau.
  3. Ajuster l'angle de biseau à 0°.
  4. Verrouiller le verrouillage de biseau.
  5. Retirer le protège-lame et les griffes anti-rebond.
  6. Placer le couteau diviseur en position « abaissé ». Voir POSITION ET ALIGNEMENT DU COUPEUR DIVISEUR à la page 86.
  7. Régler la lame à la bonne profondeur pour la pièce de travail.
  8. Selon la forme et la taille du bois, utiliser le guide longitudinal ou le guide d'onglet.

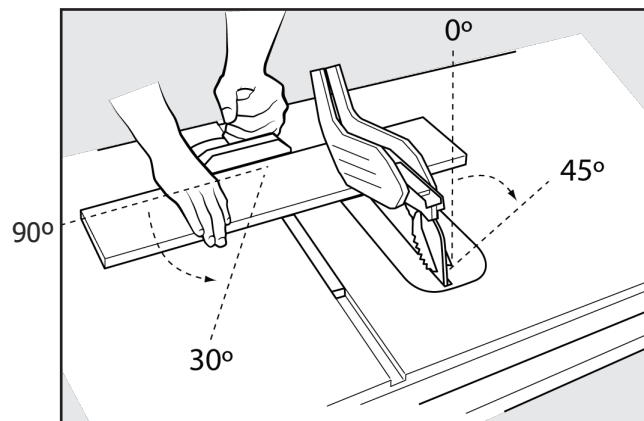


FIGURE 31

- Ne jamais pousser le bois avec les mains lors de coupes incomplètes telles que les feuillures ou rainures. Toujours utiliser le guide d'onglet, les poussoirs et un cale-guide le cas échéant.
- En plus de cette section, lisez la section appropriée qui décrit le type de coupe. Par exemple, si votre coupe incomplète est une coupe transversale droite, il faut lire et comprendre la section sur les coupes transversales droites avant de poursuivre.
- Une fois que toutes les coupes incomplètes sont terminées, débrancher la scie et retourner le couteau diviseur à la position de coupe complète. Installer les griffes anti-rebond et le protège-lame.
- Suivre attentivement les directives accompagnant des lames spécialisées pour une bonne installation, mise en place et fonctionnement.
  9. Brancher la scie dans la source d'alimentation et la mettre en marche.
  10. Laisser la lame atteindre sa vitesse maximale avant de déplacer la pièce vers la lame.
  11. Utilisez toujours des blocs-poussoirs, des bâtons poussoirs et/ou cale-guides lors des coupes incomplètes pour réduire le risque de blessures graves.
  12. Lorsque la coupe est terminée, arrêter la scie. Attendre que la lame vienne à un arrêt complet avant de retirer la pièce de la table.
  13. Une fois la coupe terminée, réajustez le couteau diviseur pour le positionner comme indiqué à la page 86.

## EFFECTUER DES COUPES

### AJUSTER LA LAME PARALLÈLE À LA RAINURE DU GUIDE D'ONGLETS

- La lame (A) doit être parallèle à la rainure du guide d'onglets afin d'éviter que le bois se coince, ce qui entraînerait un recul. Le non-respect de cette directive pourrait entraîner des blessures graves.
- Pour réduire le risque de blessures causées par un recul, alignez le guide de refente à la lame (A) après tout ajustement de la lame.

Ne desserrez pas les vis pour cet ajustement avant que l'alignement ait été vérifié à l'aide d'une équerre, afin de valider si un ajustement est nécessaire. Une fois les vis desserrées, tous les réglages **doivent** être refaits.

**Note:** Débranchez la scie. Retirez le protège-lame et les cliquets antirecul. Élevez la lame (A) en tournant le volant d'ajustement de la hauteur.

1. Faites une marque sur le côté de l'une des dents, à l'avant de la lame (A). Placez une équerre combinée à égalité avec l'avant de la table et le côté de la lame (A), tel qu'illustré.
2. Faites tourner la lame (A) afin que la dent marquée se retrouve à l'arrière. Déplacez l'équerre combinée à l'arrière et mesurez la distance à nouveau. Si les deux distances sont égales, la lame (A) est droite.

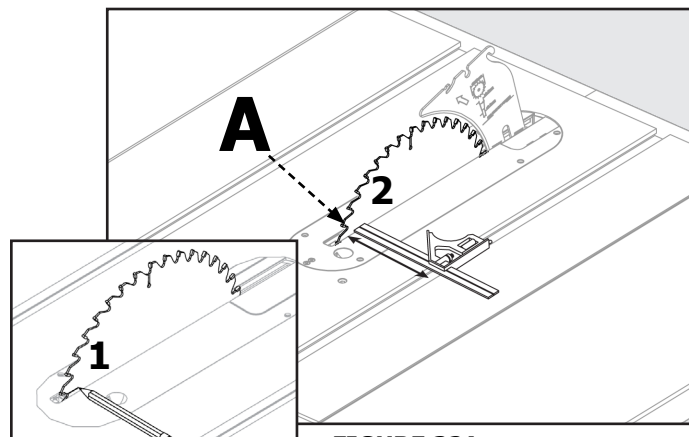


FIGURE 32A

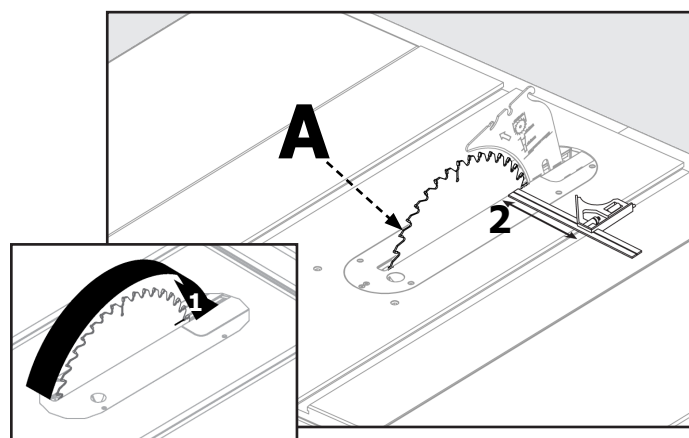


FIGURE 32B

## AIDES DE COUPE ET ACCESSOIRES

### POUSSOIR

Afin de faire fonctionner la scie circulaire à table en toute sécurité, vous devez utiliser un poussoir chaque fois que la taille ou la forme de la pièce ferait en sorte que vos mains seraient à

6 pouces (152 mm) de la lame de la scie ou autre outil de coupe. Un poussoir est fourni avec cette scie.

Aucun bois spécial n'est nécessaire pour fabriquer des poussoirs supplémentaires tant qu'ils sont robustes et assez longs et que le bois est exempt de nœuds, de craques et de fissures. Une longueur de 16 pouces (400 mm) est recommandée avec une encoche qui s'accote contre le bord de la pièce pour l'empêcher de glisser. C'est une bonne idée d'avoir plusieurs poussoirs de la même longueur minimum, 16 pouces (400 mm), avec différentes tailles d'encoches pour les différentes épaisseurs de pièces.

La forme peut varier en fonction de vos besoins tant que le poussoir remplit sa fonction prévue de garder vos mains loin de la lame. Placer l'encoche de sorte que le poussoir puisse être maintenu à un angle de 20 à 30 degrés par rapport à la table de la scie vous aidera à maintenir la pièce tout en déplaçant la scie.

Pour construire un poussoir, reportez-vous à l'illustration de la figure 33.

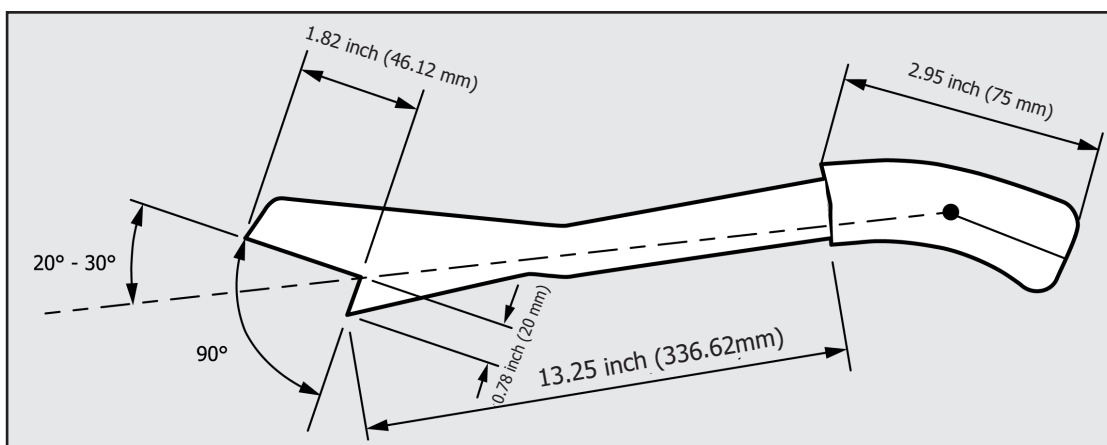


FIGURE 33

# AIDES DE COUPE ET ACCESSOIRES

## FACE DE GUIDE D'ONGLET AUXILIAIRE

Une face de guide d'onglet auxiliaire est utilisée pour augmenter la zone de surface de la face du guide d'onglet. L'utilisation de la jauge à onglets avec revêtement auxiliaire est identique à celle d'origine (sans revêtement auxiliaire). Voir page 80 pour l'utilisation de la jauge à onglets.

Si vous le souhaitez, vous pouvez adapter le guide à onglets avec un parement de bois auxiliaire qui doit être d'au moins 1 pouce (25 mm) plus haut que la profondeur de coupe maximale, et au moins aussi large que le guide d'onglet. Ce parement de bois auxiliaire peut être fixé à l'avant du guide d'onglet en utilisant (2) vis M6 ou de 1/4-20 écrous à tête plate, en plaçant les écrous dans les fentes prévues dans la face du corps du guide d'onglet. Voir figure 40.

**⚠ AVERTISSEMENT** S'assurer que les vis sont suffisamment longues pour fixer le parement.

La tête plate doit être encastrée dans la face du parement.

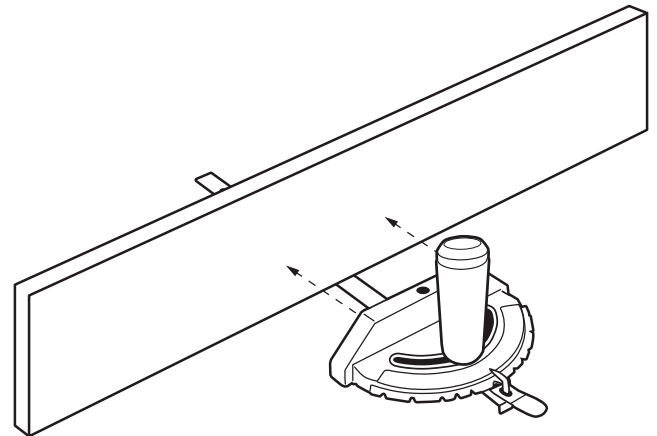


FIGURE 34

## BLOC POUSSOIR

Les blocs de poussée sont des blocs utilisés pour maintenir fermement la pièce contre la table. Ils comprennent une surface de préhension ou une poignée pour maintenir le bloc. Toute vis traversant le bloc pour fixer la poignée doit être encastrée afin d'éviter tout contact avec la pièce.

1. Sélectionner un morceau de bois d'environ 4 pouces de large, 6 pouces de long et de 1 à 2 pouces d'épaisseur (une découpe de 2 par 4 fait un bon morceau pour un bloc de poussée).
2. Percer un trou dans le bloc et coller une cheville pour l'utiliser comme poignée (vous pouvez faire le trou en angle pour avoir une bonne prise de main sur la poignée).
3. Coller un morceau de matériau brut ou mou comme du papier de verre ou du caoutchouc au fond du bloc pour saisir la pièce (un ancien tapis de souris fonctionne bien).

Voir figure 35.

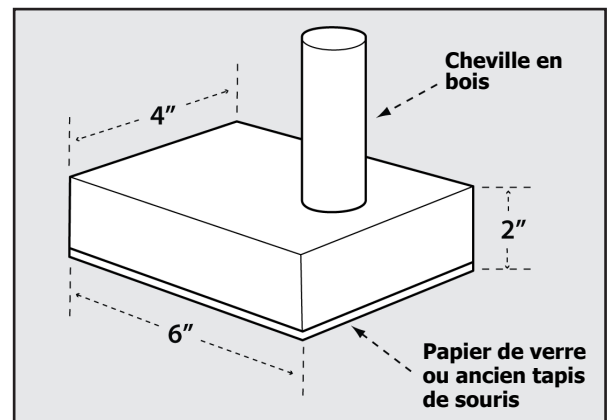


FIGURE 35

## RAINURAGE ET FEUILLETAGE

Le serrage d'une planche de plumes devant la lame peut augmenter la sécurité lors de coupes non profondes, telles que le rainurage et le frottis, et les coupes traversantes. Utilisez une planche de plumes pour guider la pièce contre la table et la clôture lors de coupes non traversantes telles que le feuilletage. Une planche de plumes aide à contrôler le recul.

# AIDES DE COUPE ET ACCESSOIRES

## CALE-GUIDE

Les cale-guides sont utilisés pour maintenir la pièce en contact avec le guide et la table (figure 36) et aider à prévenir les rebonds. Les cale-guides sont particulièrement utiles lors de la coupe de petites pièces et pour compléter les coupes incomplètes. L'extrémité est inclinée avec une série de fentes étroites pour donner une prise de frottement sur la pièce; il est verrouillé en place sur la table ou le guide avec un étau en C.

**⚠ AVERTISSEMENT** Pour éviter un coincement entre la pièce et la lame, s'assurer que le cale-guide s'appuie seulement sur la partie non coupée de la pièce en face de la lame.

Les dimensions pour la fabrication d'un cale-guide typique sont présentées à la figure 37. Faites votre caleguide à partir d'un morceau de bois rectiligne qui est exempt de nœuds et de fissures. Fixer le cale-guide au guide ou à la table de sorte qu'il tienne la pièce contre le guide ou la table. Le serrage d'une planche de plumes devant la lame peut augmenter la sécurité lors de coupes non traversées et transversales.

1. Sélectionner un morceau de bois d'environ 3/4 de pouce d'épaisseur, 2 1/2 pouces de large et 12 pouces de long.
2. Marquer la largeur du centre sur une extrémité. Largeur d'onglet à 70° (voir la section sur les coupes d'onglet pour des informations sur les coupes d'onglet).
3. Régler le guide longitudinal pour permettre à un « doigt » 1/4 pouce d'être coupé.
4. Pousser seulement jusqu'à la marque précédemment faite à 6 pouces.
5. ARRÊTER la scie et laisser la lame s'arrêter complètement de tourner avant de retirer la pièce.
6. Régler le guide longitudinal de nouveau et couper des coupes longitudinales espacées dans la pièce pour avoir des espaces d'environ 1/4 pouce et 1/8 pouce entre les doigts.

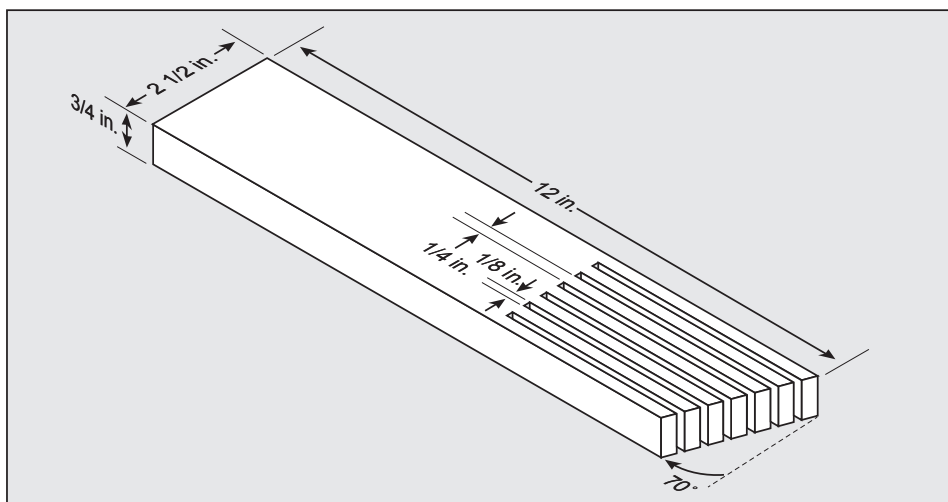


FIGURE 36

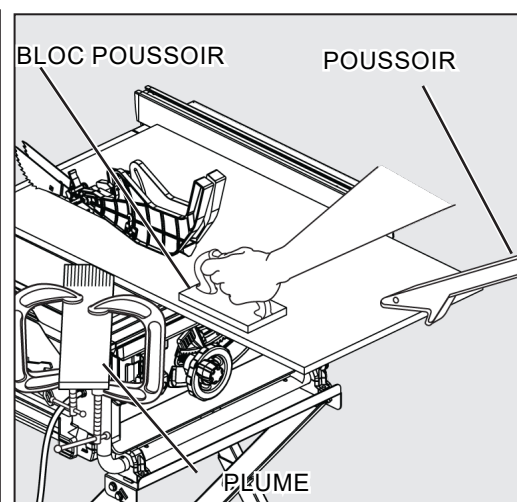


FIGURE 36A

## JAUGE DE DÉCOUPE

Lors de la coupe transversale d'un certain nombre de pièces de la même longueur, vous pouvez fixer un bloc de bois (A) (voir figure 37) au guide et l'utiliser comme une jauge de découpe. Le bloc (A) doit être d'au moins 3/4 po (19 mm) d'épaisseur pour empêcher la pièce coupée de se coincer entre la lame et le guide. Une fois que la longueur de découpe est déterminée, verrouiller le guide et utiliser le guide d'onglet pour pousser la pièce dans la lame.

**⚠ MISE EN GARDE :** Toujours placer la jauge de découpe complète en face de la lame de la scie.

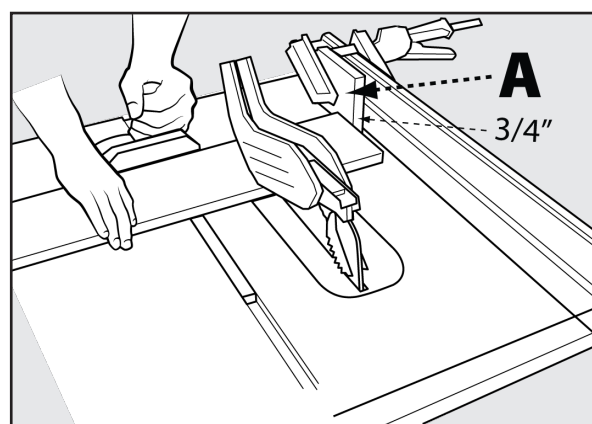


FIGURE 37

## GABARITS

Des gabarits peuvent être créés avec une variété de réglages spéciaux pour contrôler des formes particulières de pièces pour des coupes particulières. Des conseils sur la façon de faire des gabarits spécialisés peut être trouvés sur les sites Web et dans les publications sur les travaux de bois et de menuiserie.

**⚠ MISE EN GARDE :** Ne pas essayer de créer ou d'utiliser un gabarit, sauf si vous êtes familier avec les mesures de sécurité de la scie. Ne pas utiliser de gabarit qui pourrait causer un pincement de saignée ou un coincement de pièce entre le gabarit et la lame. Des configurations incorrectes pourraient causer un rebond qui pourrait entraîner des blessures graves.

## EFFECTUER DES RÉGLAGES

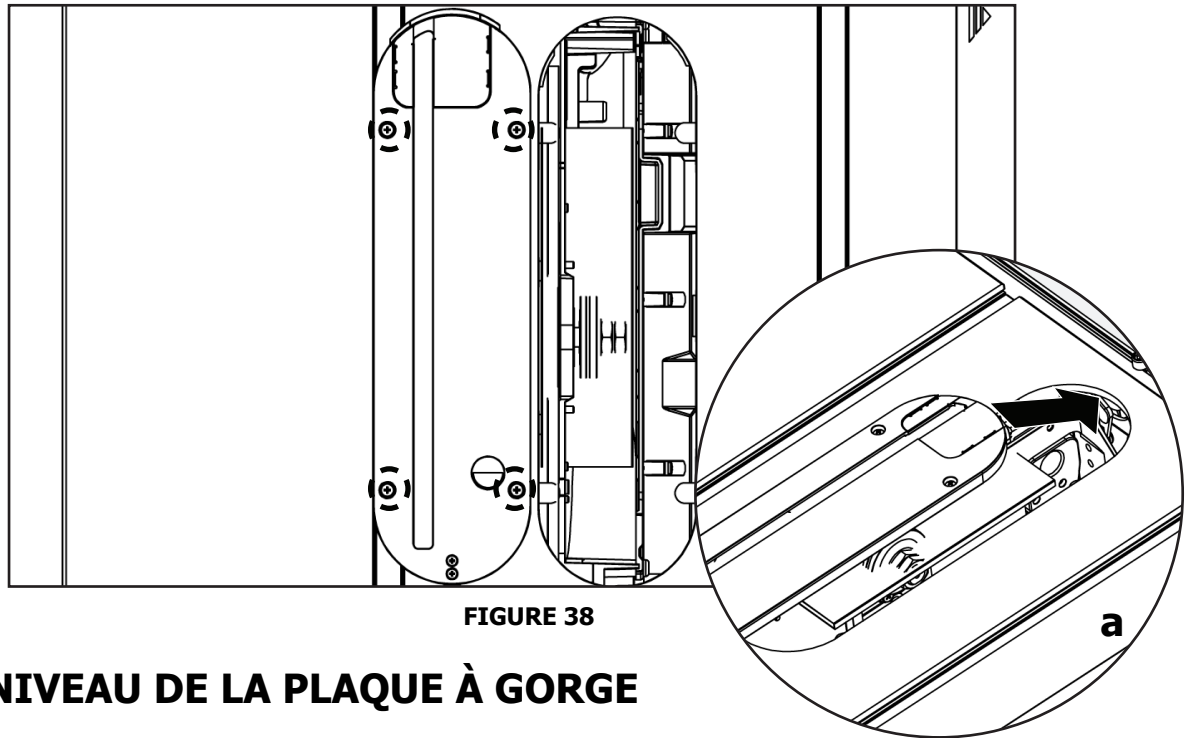


FIGURE 38

### MISE À NIVEAU DE LA PLAQUE À GORGE

Pour installer la plaque de gorge, glissez la patte dans la fente à l'arrière de la scie et poussez-la vers le bas pour la maintenir en place. Voir figures 38 et 38a. .

**Remarque :** Il y a quatre vis préassemblées à la plaque de gorge que vous pouvez utiliser pour mettre à niveau la plaque de gorge si nécessaire. Tourner les vis dans le sens des aiguilles d'une montre pour soulever la plaque à gorge, dans le sens contraire des aiguilles d'une montre pour l'abaisser. La plaque doit être égale ou légèrement inférieure à la surface de la table. La plaque ne doit pas se situer au-dessus ou à plus de 0,7 mm (1/4 po) sous la table du côté de l'alimentation. Lors de la sortie, la plaque latérale doit être au-dessous ou au plus à 1/4 de pouce (0,7 MM) au-dessus du tableau.

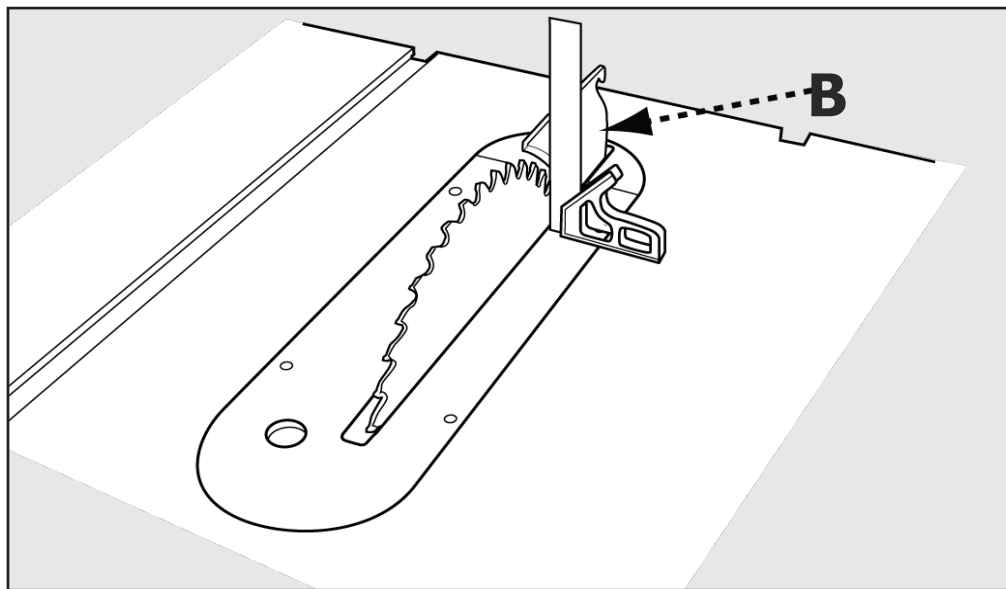


FIGURE 39

### ÉQUERRAGE LA LAME VERTICALEMENT À LA TABLE

Placer une équerre (B) sur la surface de la table et contre la lame et le couteau diviseur. L'équerre doit être entièrement en contact avec la face de la lame et le couteau diviseur. Voir figure 39.  
Si elle est pas à l'équerre, régler la butée à 0 degrés comme indiqué à la section de « Réglage de la came de butée à 0 » ci-dessous. Voir figures 38, 38a, 39 et 39a.

## EFFECTUER DES RÉGLAGES

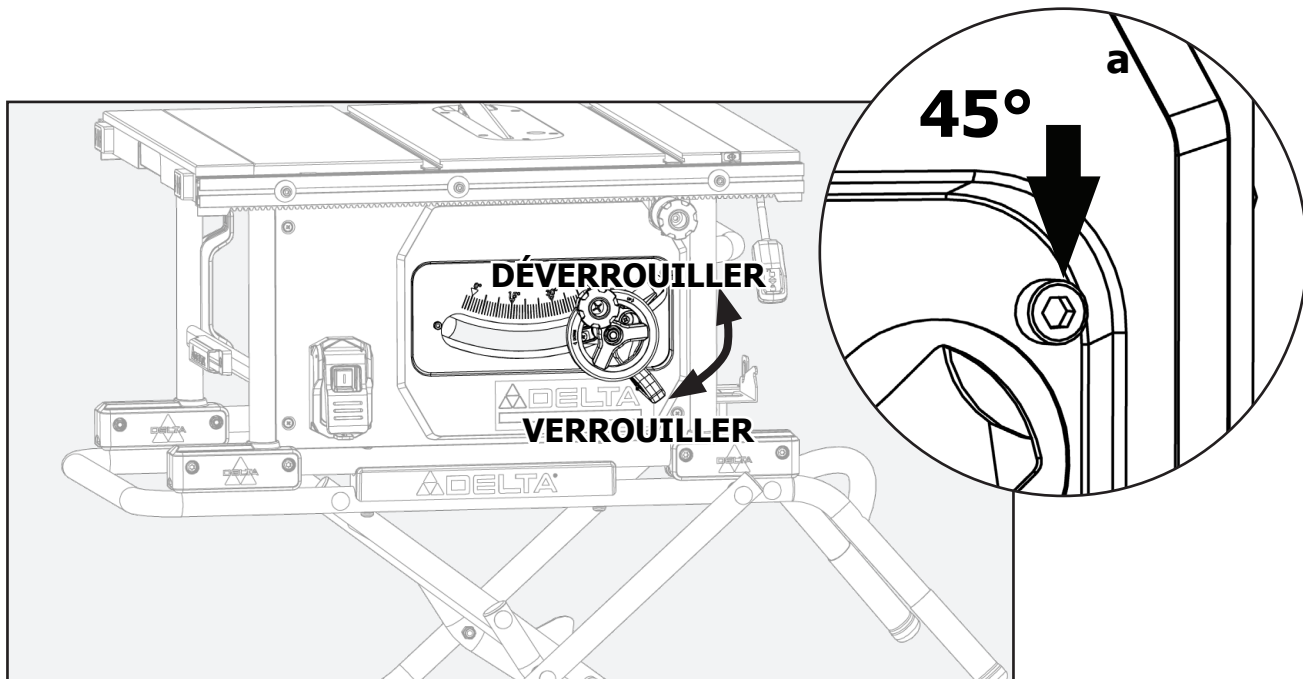


FIGURE 40

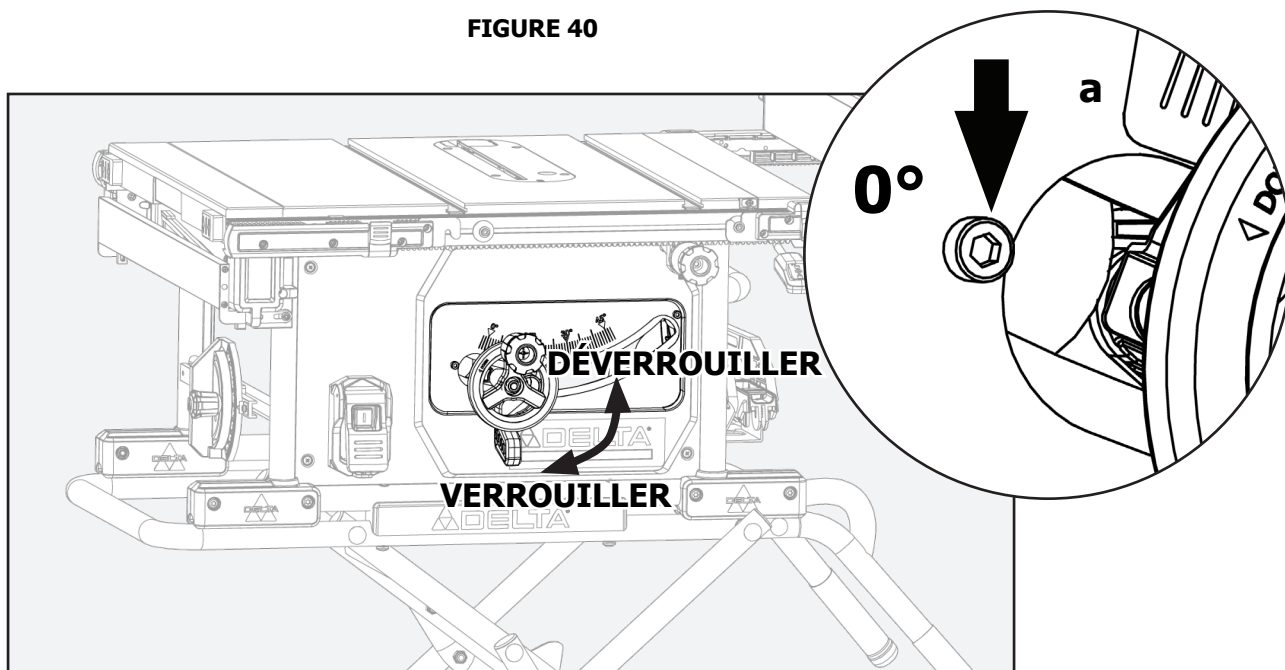


FIGURE 41

### RÉGLAGE DES CAMES DE BUTÉE

Si la lame n'est pas verticalement à l'équerre par rapport à la table, vous devez régler la butée à 0 degré située à l'intérieur du rail de biseau à l'extrémité gauche de l'ouverture du rail de biseau comme illustré aux figures 41 et 41a. Déverrouiller le levier de verrouillage du réglage de biseau/hauteur et placer la molette de réglage vers la droite afin d'obtenir un accès facile à la butée d'arrêt positif à 0 degré. Ensuite, verrouiller le levier de réglage. Tourner la vis de réglage de la butée d'arrêt positif à 0 degré à droite ou à gauche pour régler l'emplacement de la butée.

Débloquer la molette de réglage, retourner la lame à la position 0 degré, en s'assurant qu'elle est en contact avec la butée, et re-verrouiller la molette de réglage en place.

Vérifier la position de la lame à la surface de la table en utilisant une équerre (voir la section « ÉQUERRAGE DE LA LAME VERTICALEMENT PAR RAPPORT À LA TABLE » SUR CETTE PAGE).

Continuer de répéter les deux étapes précédentes jusqu'à ce que la lame soit verticalement à l'équerre par rapport à la table.

Vous pouvez utiliser la même procédure pour vérifier la butée de 45 degrés, situé à l'extrémité droite du rail de biseau maximum 45 °, juste à l'intérieur de l'ouverture du rail de biseau comme illustré aux figures 40 et 40a.

## EFFECTUER DES RÉGLAGES

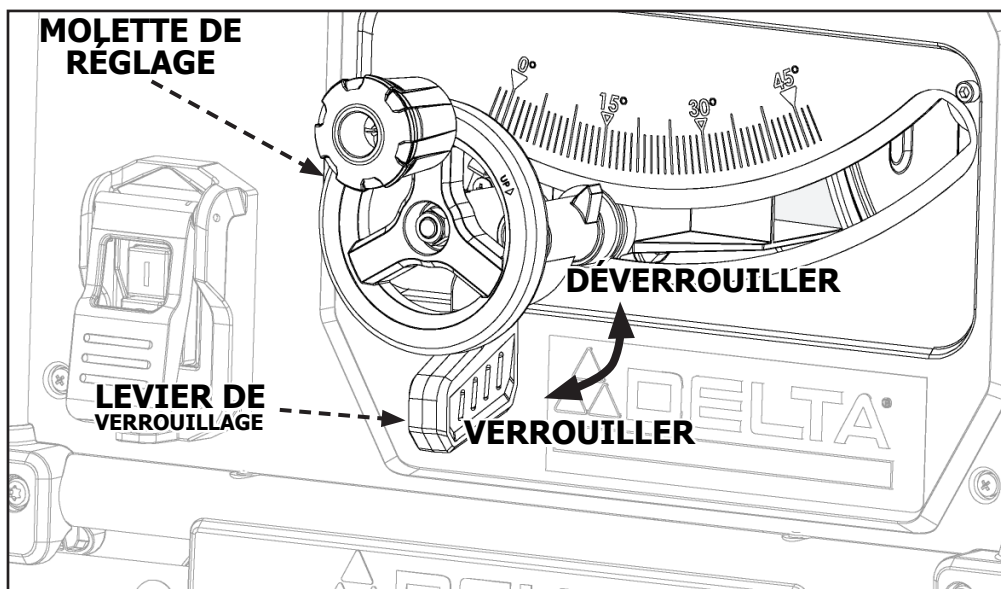


FIGURE 42

### RÉGLAGE DE LA HAUTEUR DE LA SCIE

Pour toutes les coupes complètes, le haut des pointes de la lame doit être au-dessus de la pièce et le bas de la lame en dessous de la surface supérieure de la pièce.

Pour les coupes incomplètes, le haut des pointes de la lame doit être réglé à la profondeur de la coupe.

Pour régler la hauteur de la lame, se reporter à la figure 42 et procéder comme suit :

S'assurer que le levier de verrouillage de biseau est à la position verrouillée.

Régler la hauteur du biseau/de la lame en tournant la molette de réglage de hauteur. Tourner dans le sens horaire lèvera la lame et dans le sens antihoraire abaissera la lame.

### CHANGEMENT DU BISEAU

Déverrouiller le levier de verrouillage du biseau/de hauteur en le montant à la position déverrouillé.

En tenant la molette, faire glisser l'indicateur de biseau à l'angle désiré.

Lorsque la lame est à l'angle désiré, verrouiller le levier de verrouillage de biseau/de hauteur en le poussant à la position verrouillé.

Voir figure 42.

## EFFECTUER DES RÉGLAGES

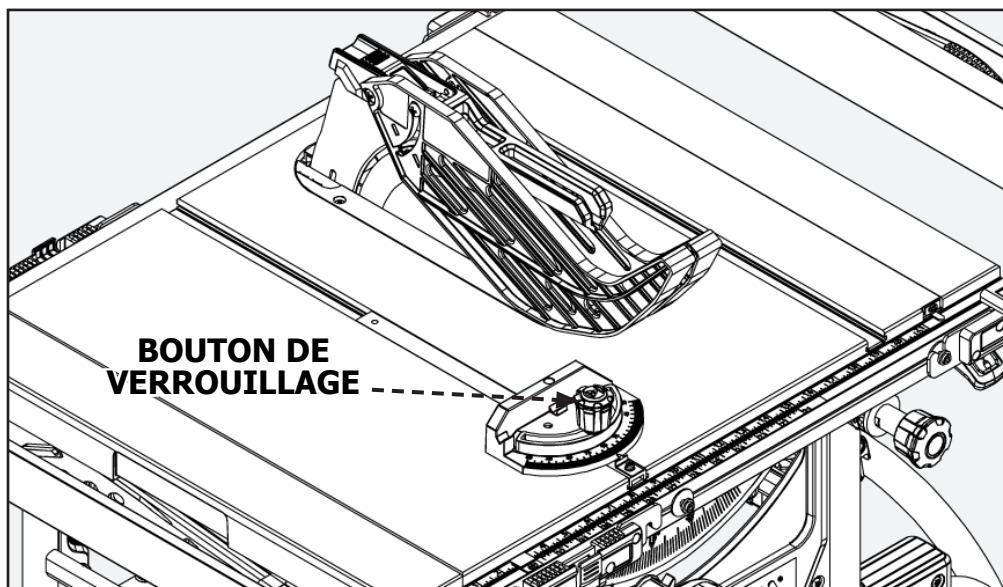


FIGURE 43

### UTILISATION DU GUIDE D'ONGLET

Il y a deux rainures de guide d'onglets. Un de chaque côté de la lame, maximum 30 °. Lors de coupes transversales à 90°, utiliser l'une des rainures. Pour les coupes transversales biseautées, utiliser la rainure de droite de sorte que la lame soit inclinée de l'autre côté du guide d'onglets des mains.

Desserrer le bouton de verrouillage du guide d'onglets. Tourner le guide jusqu'à ce que l'angle désiré sur l'échelle soit atteint. Resserrer le bouton de verrouillage.

Voir figure 43.



# EFFECTUER DES RÉGLAGES

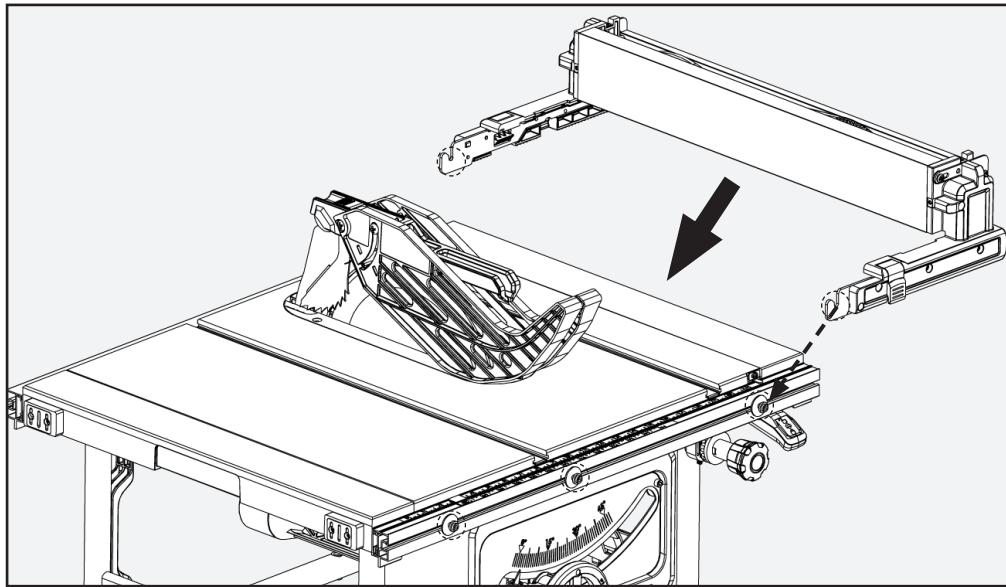


FIGURE 44

## Installation de la clôture

La clôture peut être positionnée à gauche et à droite de la table.

- Inclinez légèrement la clôture.
- Insérez l'encoche des deux côtés du système de clôture dans les onglets correspondants du système de rail.
- Abaissez le guide jusqu'à ce qu'il se verrouille en place.

Voir la figure 44.

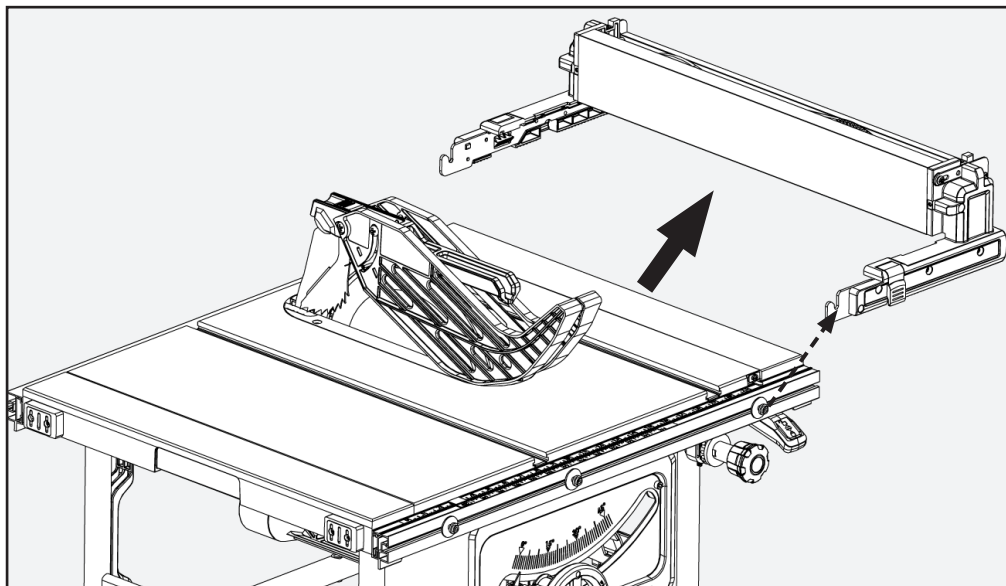


FIGURE 45

## Enlever la clôture

- Soulevez les languettes bleues de la clôture.
- Tuile la clôture à un léger angle.
- Retirez l'encoche du système de clôture des languettes du rail.

Voir la figure 45.

# EFFECTUER DES RÉGLAGES

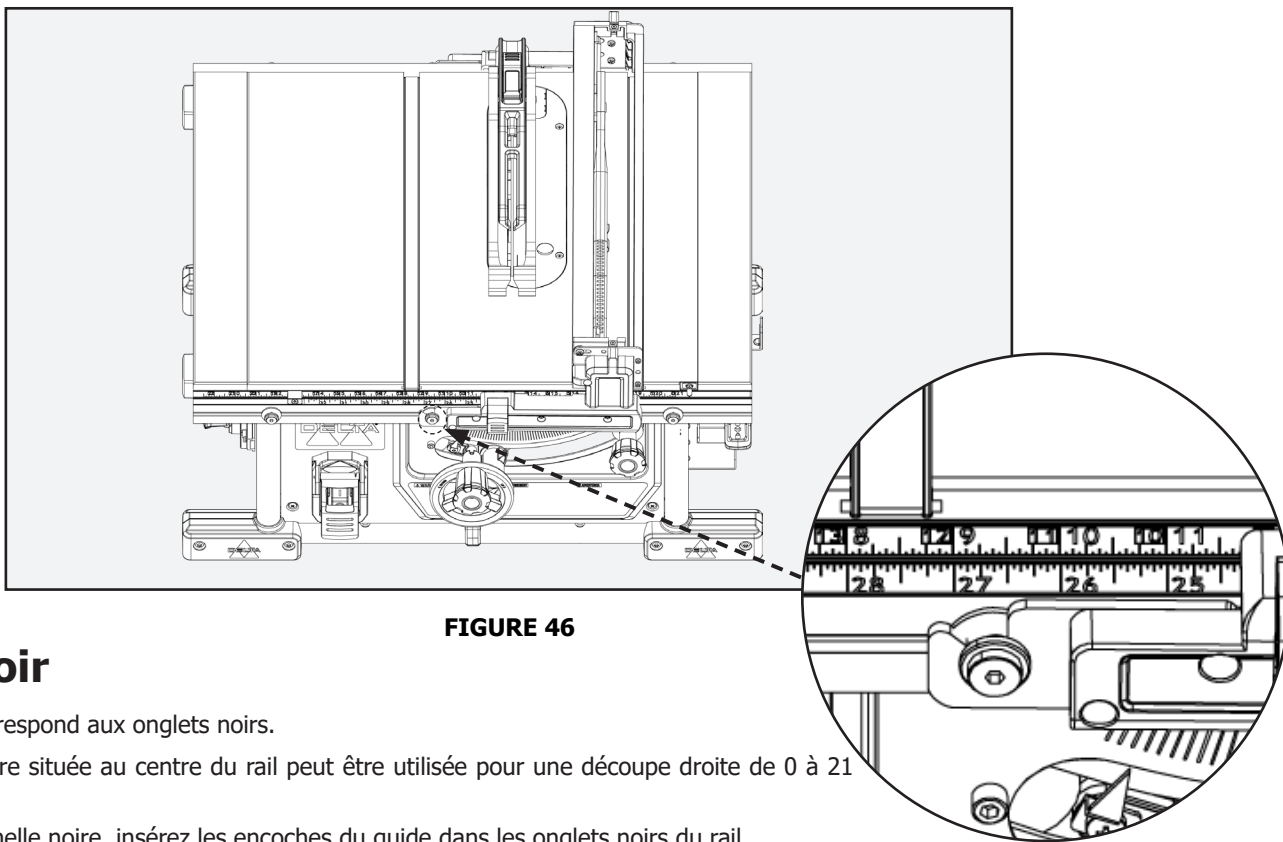


FIGURE 46

## Onglet noir

L'échelle noire correspond aux onglets noirs.

- La languette noire située au centre du rail peut être utilisée pour une découpe droite de 0 à 21 pouces.
- Pour utiliser l'échelle noire, insérez les encoches du guide dans les onglets noirs du rail.
- Lorsque la clôture est insérée dans les languettes noires, lisez l'échelle noire.

Voir la figure 46.

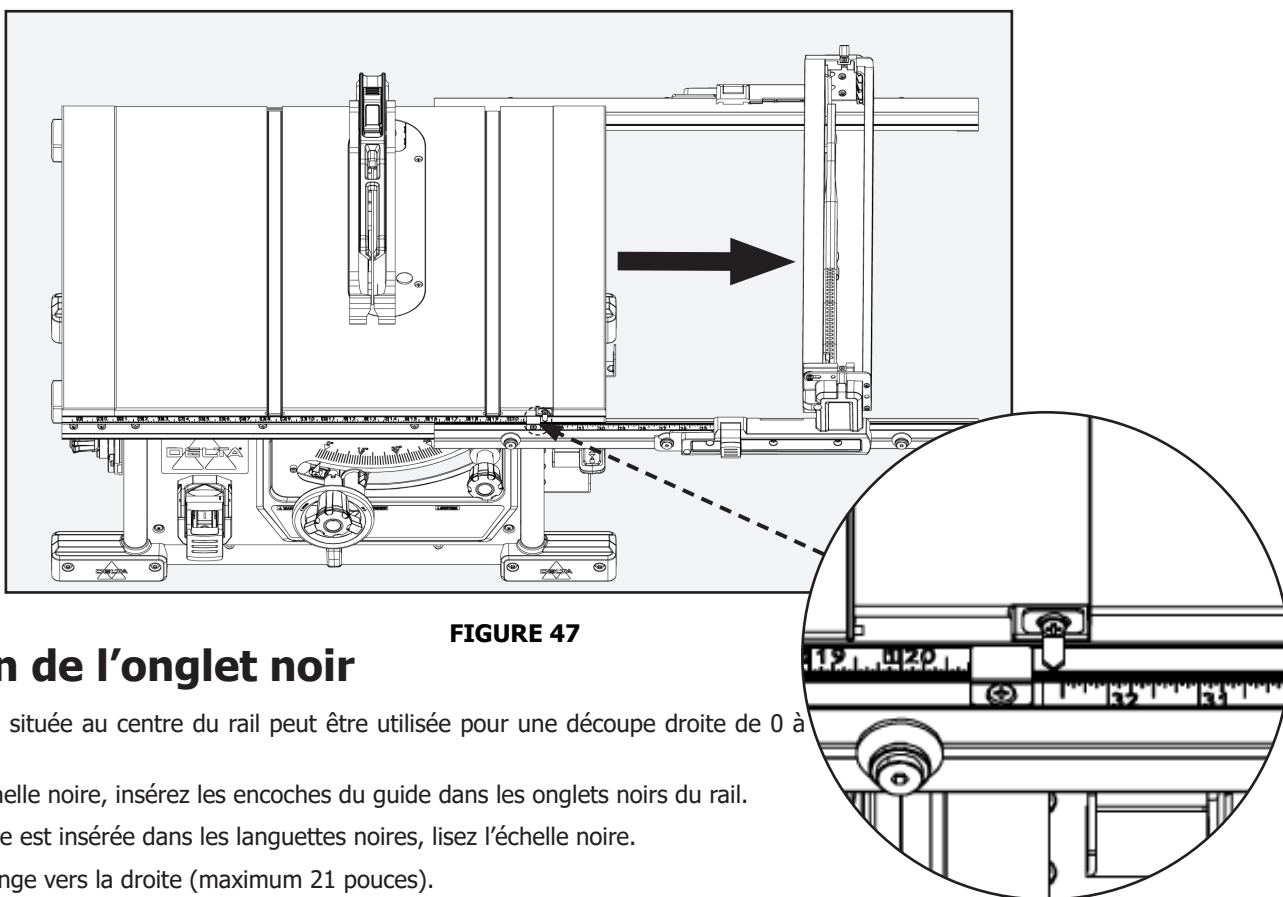


FIGURE 47

## Extension de l'onglet noir

La languette noire située au centre du rail peut être utilisée pour une découpe droite de 0 à 21 pouces.

- Pour utiliser l'échelle noire, insérez les encoches du guide dans les onglets noirs du rail.
- Lorsque la clôture est insérée dans les languettes noires, lisez l'échelle noire.
- Déployez la rallonge vers la droite (maximum 21 pouces).

Voir la figure 47.

# EFFECTUER DES RÉGLAGES

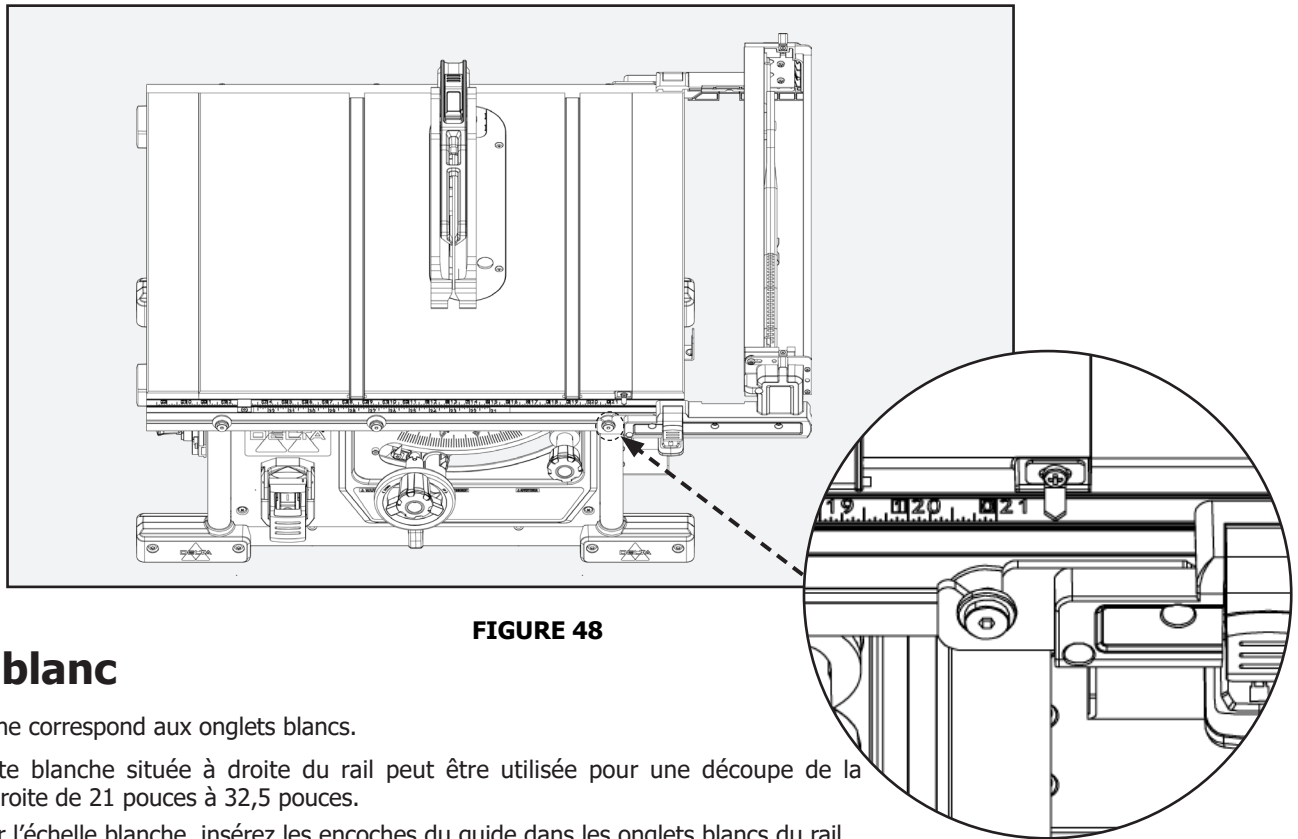


FIGURE 48

## Onglet blanc

L'échelle blanche correspond aux onglets blancs.

- La languette blanche située à droite du rail peut être utilisée pour une découpe de la déchirure droite de 21 pouces à 32,5 pouces.
- Pour utiliser l'échelle blanche, insérez les encoches du guide dans les onglets blancs du rail.
- Lorsque la clôture est insérée dans les onglets blancs, lisez l'échelle de blanc.

Voir la figure 48.

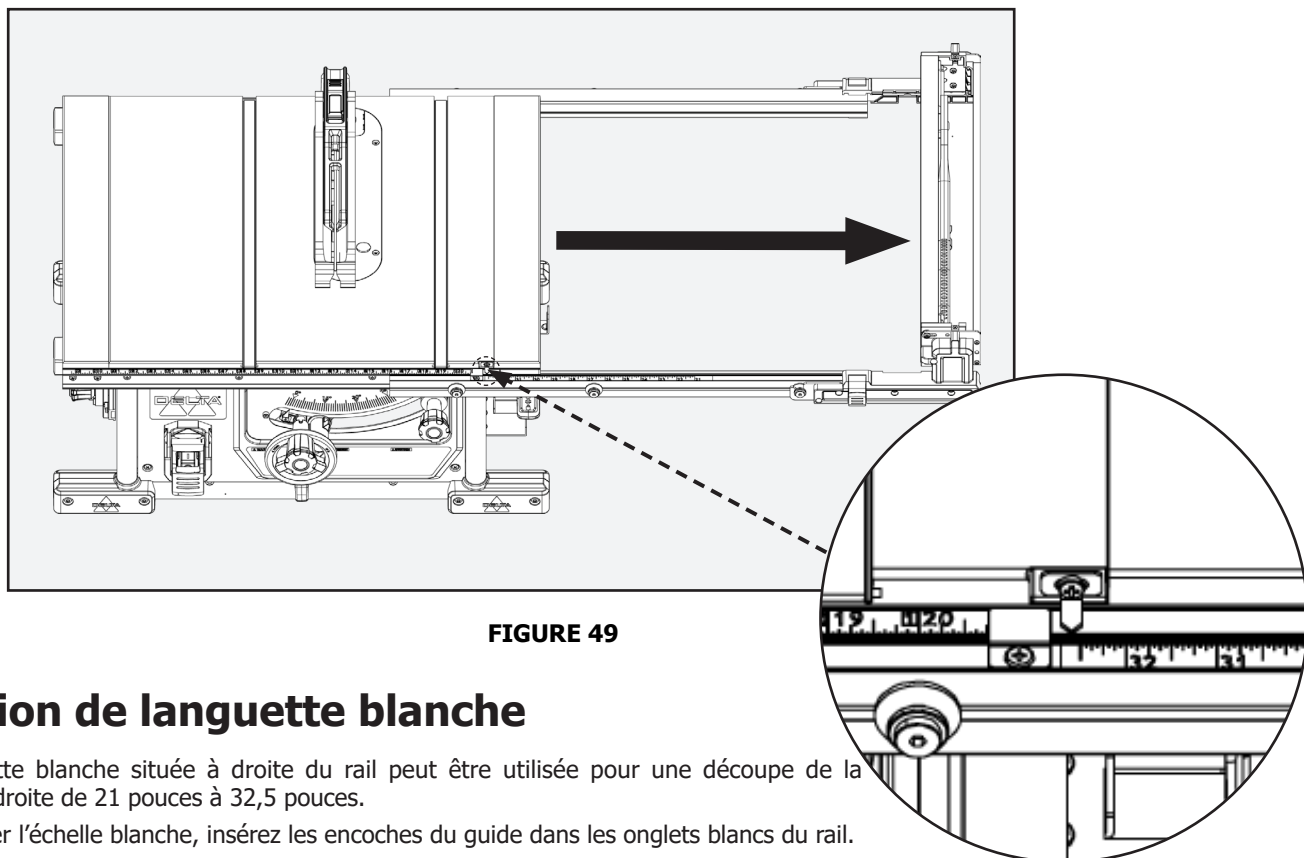


FIGURE 49

## Extension de languette blanche

- La languette blanche située à droite du rail peut être utilisée pour une découpe de la déchirure droite de 21 pouces à 32,5 pouces.
- Pour utiliser l'échelle blanche, insérez les encoches du guide dans les onglets blancs du rail.
- Lorsque la clôture est insérée dans les onglets blancs, lisez l'échelle de blanc.
- Déployez l'aile d'extension vers la droite (maximum 32,5 pouces).

Voir la figure 49.

# EFFECTUER DES RÉGLAGES

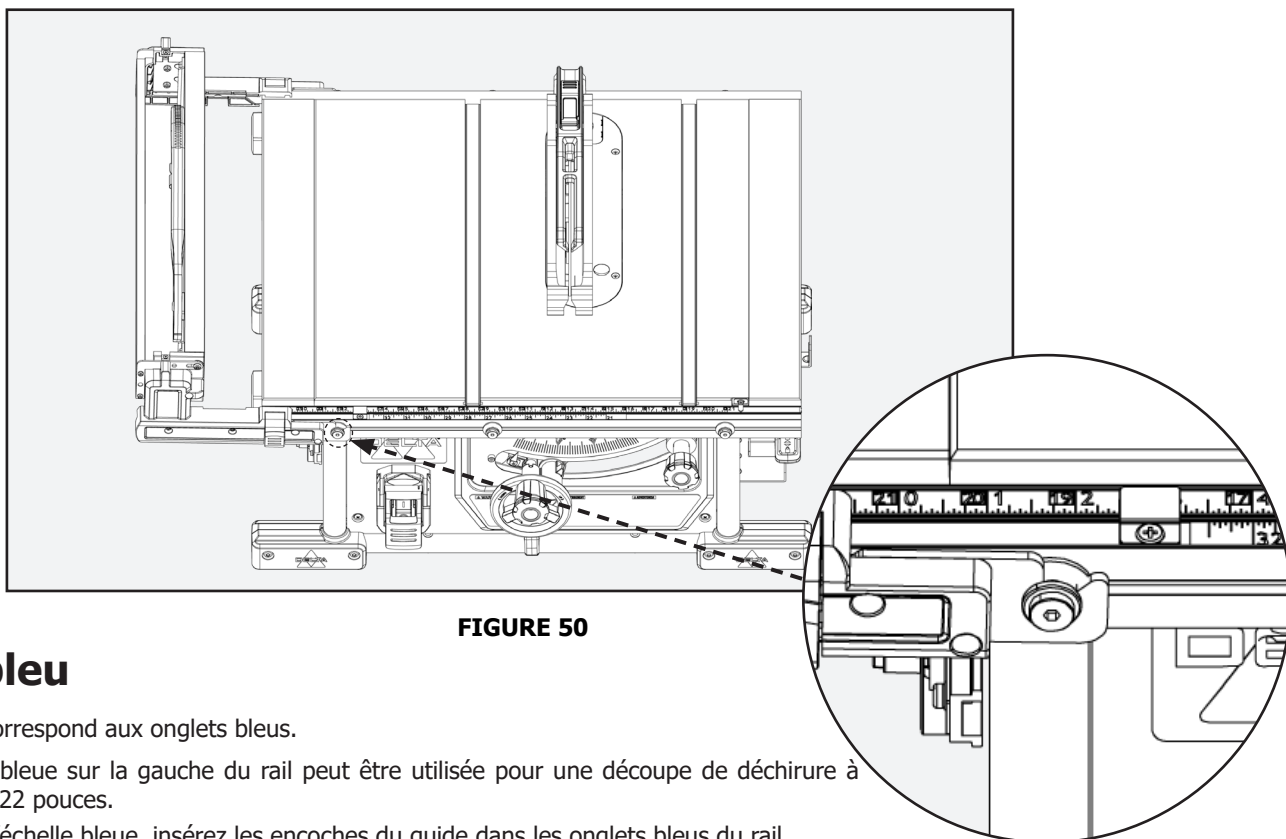


FIGURE 50

## Onglet bleu

L'échelle bleue correspond aux onglets bleus.

- La languette bleue sur la gauche du rail peut être utilisée pour une découpe de déchirure à droite de 0 à 22 pouces.
- Pour utiliser l'échelle bleue, insérez les encoches du guide dans les onglets bleus du rail.
- Lorsque la clôture est insérée dans les onglets bleus, lisez l'échelle bleue..

Voir la figure 50.

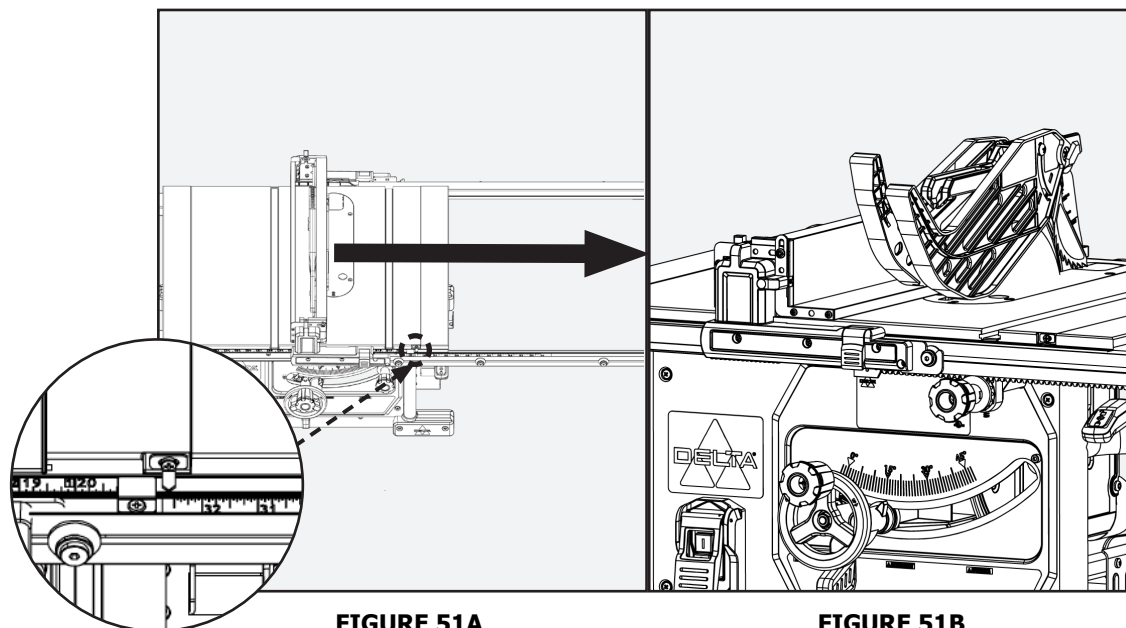


FIGURE 51A

FIGURE 51B

## Extension de l'onglet bleu

- La languette bleue sur la gauche du rail peut être utilisée pour une découpe de déchirure à droite de 0 à 22 pouces.
- Pour utiliser l'échelle bleue, insérez les encoches du guide dans les onglets bleus du rail.
- Lorsque la clôture est insérée dans les onglets bleus, lisez l'échelle bleue.
- Déployez la rallonge vers la droite (22 pouces maximum).

Voir la figure 51A.

Pour les matériaux fins, utilisez le guide situé à gauche de la lame. Repliez le guide fin pour permettre l'utilisation du protège-lame. Soustrayez 50,8 mm (2 pouces) de l'échelle pour des mesures précises. Voir la figure 51B.

# EFFECTUER DES RÉGLAGES

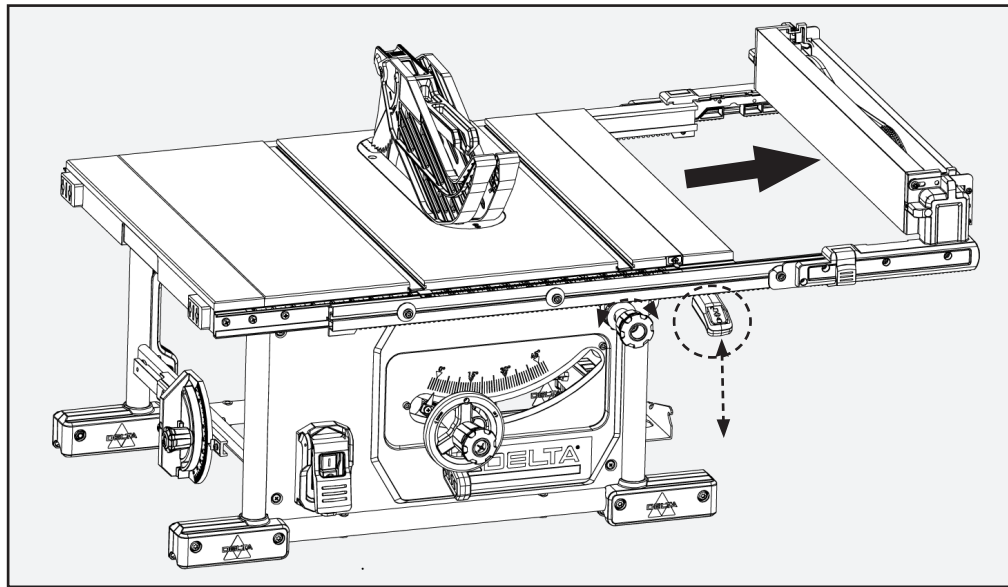


FIGURE 52

## Système de rail de réglage

- Soulever le verrou du rail pour déverrouiller la position.
- Tourner le bouton d'extension jusqu'à obtenir la cote de coupe souhaitée.
- Appuyez sur le verrou du levier du rail pour engager le verrou.

Voir la figure 52.

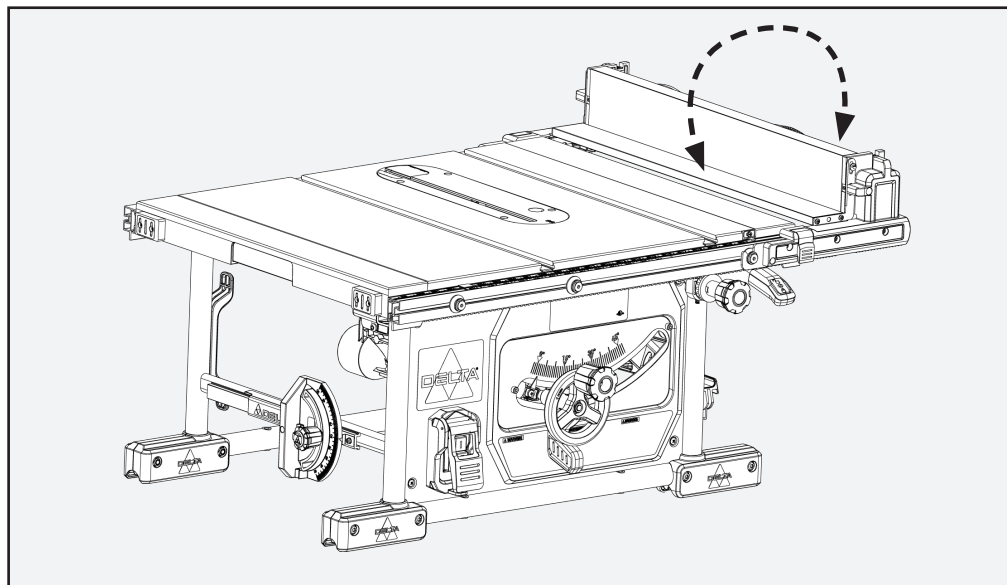


FIGURE 53

## Soutien de la pièce de travail

Lorsque vous travaillez avec de gros morceaux de matériau qui s'étendent au-delà de la surface de la table, faites basculer le support de la pièce vers le côté lame de la table pour obtenir un support adéquat.

- Localisez le support de pièce sur le côté droit de la clôture.
- Relevez le support de la pièce à travailler.
- Basculez le support de la pièce à usiner par-dessus le guide vers le côté lame de la table.
- Faites glisser le support de pièce à travailler en place sur le côté gauche du guide jusqu'à ce qu'il soit aligné avec la table.

Voir la figure 53.

# POSITION ET ALIGNEMENT DU COUPEAU DIVISEUR

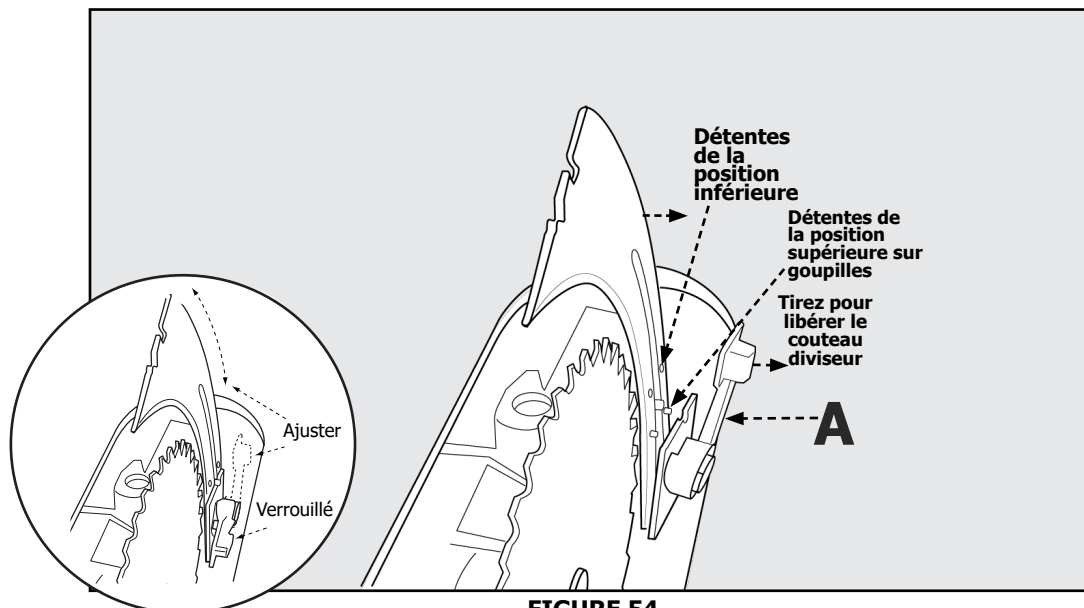


FIGURE 54

## RIVING SET HAUTEUR DE COUPEAU

La hauteur du coupeau diviseur doit être ajustée en fonction du type de coupe effectuée. Pour toutes les coupes traversantes (lorsque le bois est complètement coupé), il devrait être en position levée, avec les doigts anti-recul et la protection installés. Pour les coupes non traversantes (lorsque la lame ne pénètre pas dans la partie supérieure de la pièce), le coupeau diviseur doit être en position abaissée et les doigts et le garde anti-recul sont enlevés.

### POUR RELEVER OU ABAISSER LE COUPEAU RIVING:

1. Retirez la plaque à gorge et élevez la lame à la hauteur maximale au-dessus de la table.
2. Localisez le levier de verrouillage à came près de la base du coupeau diviseur.
3. Faites pivoter le levier à came en le tournant dans le sens des aiguilles d'une montre pour déverrouiller et libérer le coupeau diviseur de sa position verrouillée.
4. Avec votre main placée près du haut du coupeau, penchez-le vers l'extérieur des deux goupilles de verrouillage à côté de la fente du milieu. Ceci permet maintenant au coupeau de glisser dans la position ascendante / coupée.
5. Soulevez le coupeau le long de la fente coulissante jusqu'à ce que vous sentiez la nouvelle position des goupilles de verrouillage.
6. Relâchez le coupeau et il devrait s'enclencher dans sa nouvelle position; remuer si nécessaire.
7. Remettez le levier de verrouillage de la came en position verrouillée. Si vous avez fait cela correctement, le coupeau diviseur sera aligné avec la lame. Si ce n'est pas le cas, revenez sur vos pas.

**REMARQUE:** Lors du réglage du coupeau diviseur en hauteur, veillez à effectuer un mouvement radial, comme indiqué.

**⚠ MISE EN GARDE :** NE PAS faire fonctionner la scie à moins que le coupeau diviseur ne soit bien serré dans la position relevée pour la coupe traversante ou dans la position abaissée pour la coupe non traversante.

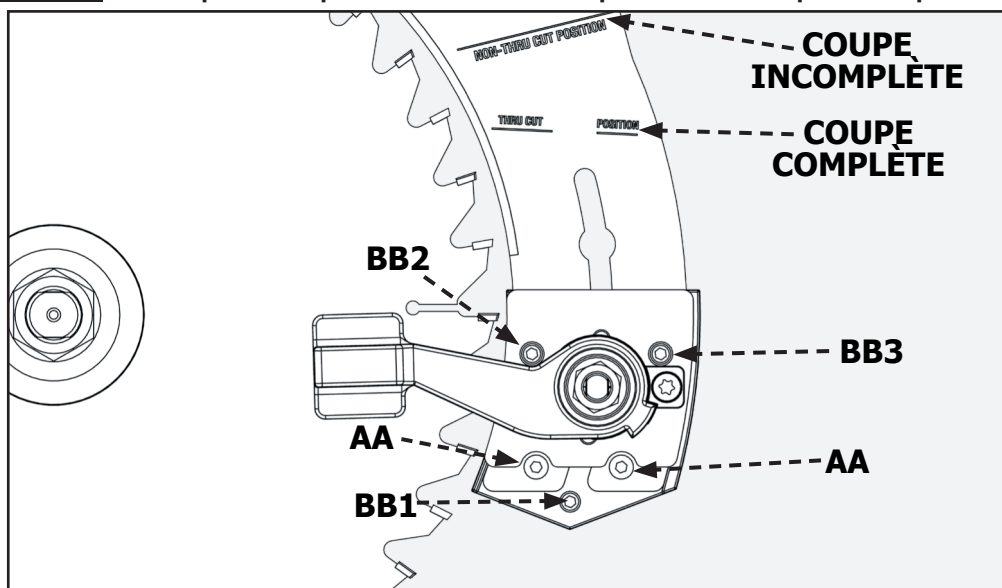


FIGURE 55

Point de localisation de la POSITION DE COUPE INCOMPLÈTE

**REMARQUE :** Le coupeau diviseur se trouve dans cette position pour les coupes « INCOMPLÈTES » et également dans cette position lorsqu'il est emballé pour l'expédition.

Le point de localisation pour la POSITION DE COUPE INCOMPLÈTE est tel qu'illustré à la figure 55. (L'opérateur doit ajuster le coupeau diviseur à cette position lors de coupes « INCOMPLÈTES »)

**(REMARQUE :** Le coupeau diviseur doit être en position de « COUPE INCOMPLÈTE » avant de faire des réglages pour l'alignement du coupeau diviseur de la lame.)

# POSITION ET ALIGNEMENT DU COUTEAU DIVISEUR

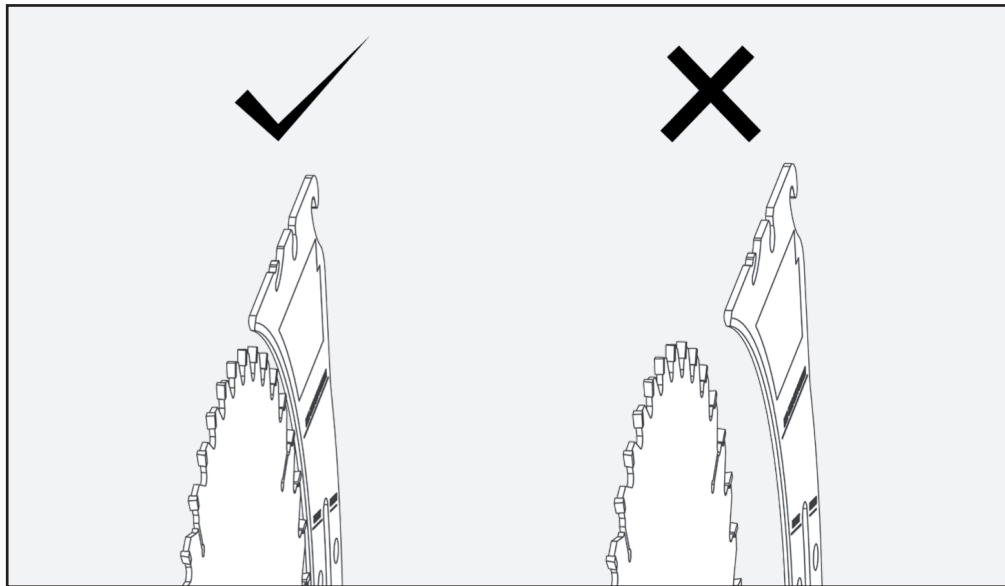


FIGURE 56

## ALIGNEMENT DU COUTEAU DIVISEUR

### Alignement parallèle

Le plan du couteau diviseur est parallèle au plan de la lame, mais le couteau diviseur et la lame ne sont pas alignés ensemble. Si un ajustement en parallèle est nécessaire, utiliser les figure 55 et 56 pour faire les ajustements suivants:

1. Desserrer les 2 vis à six pans creux (AA).
2. Serrer ou desserrer la vis de réglage (BB1) pour ajuster la ligne de référence pour que le couteau diviseur soit aligné avec la lame.
3. Régler les vis de réglage (BB2) et (BB3), pour aider à l'alignement du couteau diviseur à être parallèle à la lame.
4. Serrer les vis à six pans creux (AA).

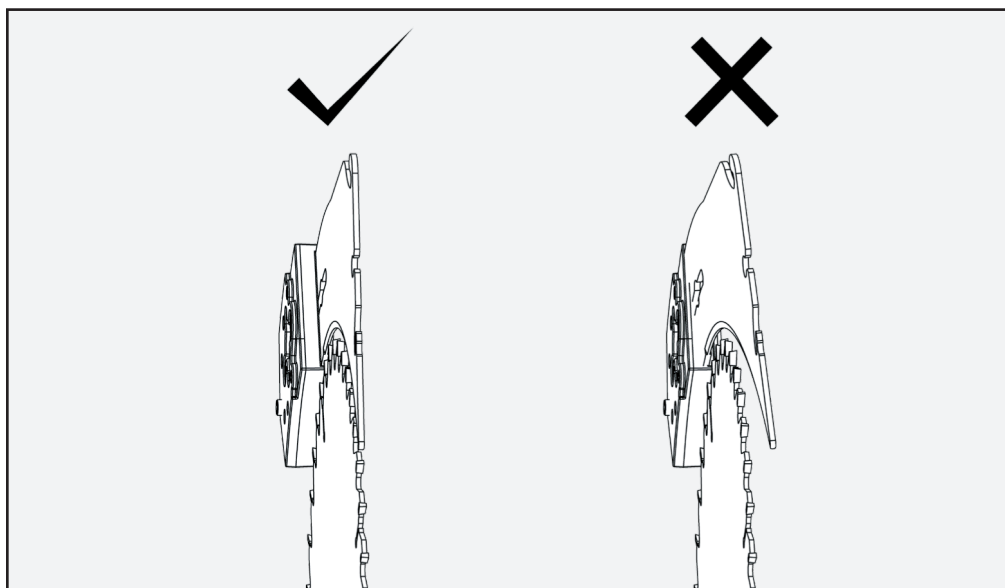


FIGURE 57

### ALIGNEMENT HORIZONTAL

Le plan du couteau diviseur ne semble pas être droit par rapport au plan de la lame. (se voit en regardant la lame et le couteau diviseur par le haut.)

Si le couteau diviseur a un mauvais alignement horizontal, le régler comme suit en utilisant les figures 56 et 57 :

1. Desserrer les 2 vis à six pans creux (AA).
2. Régler la vis (BB2) pour aligner le couteau diviseur avec la lame si elle est toujours désalignée, puis régler (BB3) jusqu'à ce que l'alignement correct soit atteint. Ne pas régler (BB1).
3. Serrer les vis (AA).

# POSITION ET ALIGNEMENT DU COUTEAU DIVISEUR

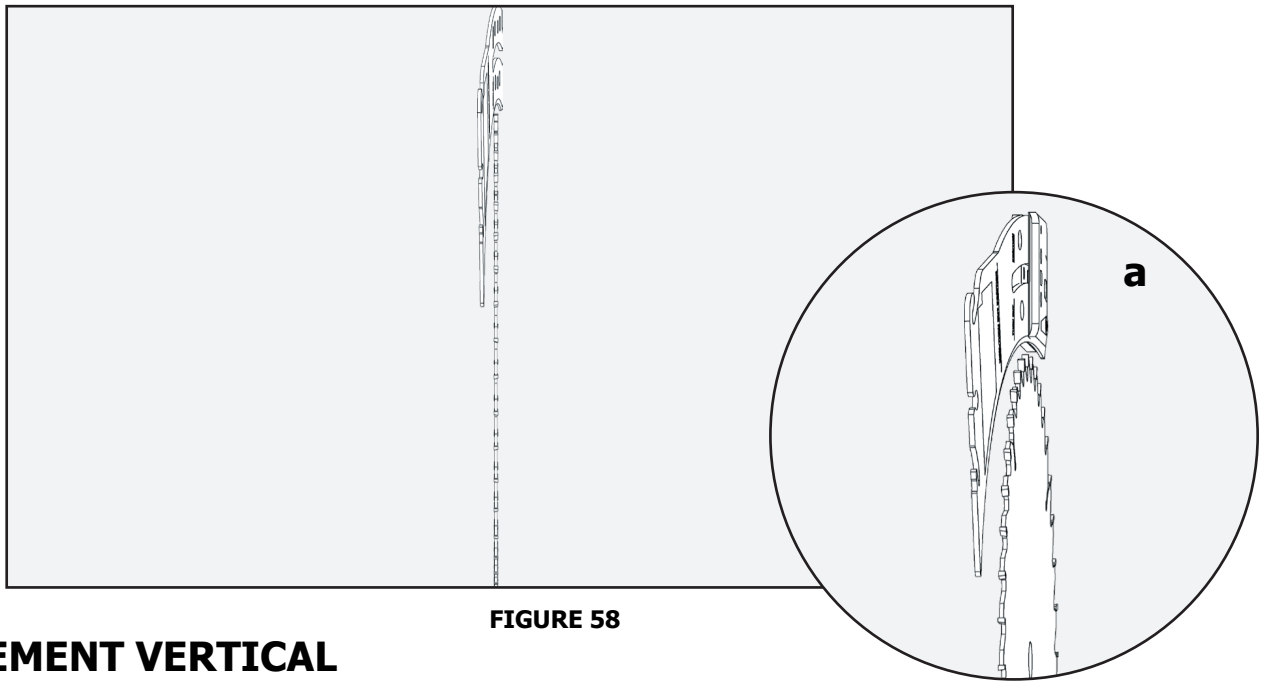


FIGURE 58

## ALIGNEMENT VERTICAL

Le plan du couteau diviseur ne semble pas être droit par rapport au plan de la lame du bas jusqu'au haut du couteau diviseur.  
(se voit en regardant le devant de la lame.)

Si le couteau diviseur a un mauvais alignement vertical, le régler comme suit en utilisant les figures 56 et 58 :

1. Desserrer les 2 vis à six pans creux (AA).
2. Procéder à des réglages (BB2) et (BB3) pour aligner le couteau diviseur avec la lame. Aucun réglage n'est nécessaire pour (BB1).
3. Serrer les vis (AA).



# ENTRETIEN

**⚠ AVERTISSEMENT** Pour réduire les risques de blessures, éteindre l'appareil et le débrancher de la source d'alimentation avant le nettoyage ou l'entretien, avant d'installer et de retirer tout accessoire, avant de faire des réglages et lors de réparations. Un démarrage accidentel peut causer des blessures.

## TENIR LA MACHINE PROPRE

Dégager régulièrement tous les passages d'air avec de l'air comprimé sec. Toutes les pièces en plastique doivent être nettoyées avec un chiffon doux et humide. NE JAMAIS utiliser de solvants pour nettoyer les pièces en plastique. Ils pourraient dissoudre ou endommager le matériel.

**⚠ AVERTISSEMENT** Porter des équipements de sécurité oculaires, auditifs et respiratoires lors de l'utilisation d'air comprimé.

Pour de meilleures performances, utilisez un aspirateur ou une soufflante d'atelier pour garder la zone de la lame de scie, le système de collecte de poussière, le système de protection et les rails exempts de sciure et autres débris.

## RAPPELS D'ENTRETIEN

### ⚠ AVERTISSEMENT

Porter des équipements de sécurité oculaires, auditifs et respiratoires lors de l'utilisation d'air comprimé.

Les zones spécifiques qui nécessitent un entretien régulier comprennent :

**PLAQUE DE SERRAGE DU COUTEAU DIVISEUR :** Garder cette zone exempte de poussière et d'accumulation de débris. Nettoyer cette zone régulièrement avec de l'air comprimé.

**REMARQUE :** Si la plaque de serrage du couteau ne peut pas se déplacer librement, faire entretenir la scie par le personnel autorisé des centres de service DELTA® Power Equipment Corporation.

**VIS SANS FIN:** Garder les engrenages coniques exempts de poussière et d'accumulation de débris. Nettoyer cette zone régulièrement avec de l'air comprimé. Utiliser une graisse à base de lithium à usages multiples en fonction des besoins sur ces engrenages.

**NETTOYER L'ACCUMULATION DE BRAN DE SCIE RÉGULIÈREMENT : REMARQUE :** Les débris peuvent également être retirés de la scie en dessous de la plaque à gorge, à l'intérieur de l'orifice à poussière.

# DÉPANNAGE

Pour de l'aide avec votre appareil, visitez notre site Web au [www.DeltaMachinery.com](http://www.DeltaMachinery.com) pour une liste des centres de service ou appelez le service à la clientèle de DELTA® Power Equipment Corporation au 1-800-223-7278.

## DÉMARRAGE IMPOSSIBLE

Si votre machine ne démarre pas, assurez-vous que les broches de la fiche du cordon sont bien en contact dans la prise, et vérifiez le bouton de réinitialisation sur le commutateur. De plus, vérifiez s'il y a des fusibles grillés ou des disjoncteurs ouverts dans votre ligne électrique.

# ACCESSOIRES

Pour les accessoires, veuillez visiter notre site Web pour un catalogue en ligne ou pour le nom de votre fournisseur le plus proche.

**⚠ AVERTISSEMENT :** Puisque les accessoires autres que ceux offerts par DELTA® n'ont pas été testés avec ce produit, l'utilisation de ces accessoires peut être dangereuse. Pour une utilisation sécuritaire, seulement les accessoires DELTA® recommandés doivent être utilisés avec ce produit.

## ASSISTANCE POUR PIÈCES, SERVICE OU GARANTIE

Les machines et accessoires DELTA® sont fabriqués selon des normes de haute qualité et peuvent être réparés dans le réseau de centres de service autorisés. Pour obtenir des informations supplémentaires au sujet de votre produit ou pour obtenir des pièces, du service, l'assistance en vertu de la garantie ou l'emplacement du centre de service le plus proche, appelez au 1-800-223-7278.

### Garantie limitée de cinq ans

**1. CE QUI EST GARANTI.** Delta Power Equipment Corporation (la « Société ») réparera ou remplacera, à son entière discrétion, ce produit qui a été acheté au détail aux États-Unis ou au Canada et qui, avec une utilisation normale, s'est avéré comporter des défauts de fabrication ou de matériau, sous réserve des conditions énoncées dans la présente garantie limitée. Cette garantie limitée couvre uniquement les matériaux et la main-d'œuvre. Tous les frais de transport sont la responsabilité du client.

**2. PÉRIODE DE GARANTIE.** Toutes les réclamations de garantie doivent être soumises dans les cinq ans suivant la date d'achat au détail. Pour toutes les pièces d'entretien et les produits remis à neuf en usine, la période de garantie est de 180 jours.

**3. COMMENT FAIRE POUR OBTENIR LE SERVICE.** Pour obtenir un service en vertu de la garantie, vous devez retourner le produit défectueux, ainsi qu'une preuve d'achat acceptable, telle que votre reçu original portant la date d'achat, ou le numéro d'enregistrement du produit, à vos frais et dans la période de garantie applicable, à un centre de service autorisé par la Société (un « centre de service autorisé ») pour que le personnel du centre effectue le service en vertu de la garantie. La Société réserve le droit de restreindre le service de réclamation en vertu de la garantie dans le pays où l'achat a été effectué et/ou de facturer le coût pour l'exportation de pièces de rechange ou pour fournir un service en vertu de la garantie dans un pays différent. À cette fin, les achats en ligne sont réputés être effectués aux États-Unis. Pour l'emplacement de votre centre de service autorisé le plus proche, appelez le service à la clientèle de la société au 1-800-223-7278.

#### 4. EXCLUSIONS.

- La Société n'offre aucune garantie sur les produits achetés en état usagé ou endommagé.
- La Société ne garantit pas les produits achetés à l'extérieur des États-Unis ou du Canada.
- La société ne sera pas tenue responsable des dommages résultant de l'usure normale, d'une mauvaise utilisation, d'abus ou de réparations ou modifications apportées par un tiers autre qu'un centre de service agréé ou un représentant désigné par le service à la clientèle de la société.

**TOUTES LES GARANTIES IMPLICITES** sont expressément limitées à la période de garantie indiquée ci-dessus.

**La société n'est pas responsable des dommages ACCESSOIRES OU IMMATÉRIELS.**

Cette garantie limitée est la seule garantie de la Société et énonce le recours exclusif du client par rapport à des produits défectueux; toutes les autres garanties, expresses ou implicites, qu'il s'agisse de la qualité marchande, d'aptitude à l'usage ou autre, sont expressément rejetées par la Société, sauf mention expresse dans la présente déclaration de garantie.

Certains États n'autorisent pas l'exclusion ou la limitation des dommages accessoires ou immatériels, ni la limitation des garanties implicites, de sorte que les limitations ou exclusions ci-dessus peuvent ne pas s'appliquer à vous. Cette garantie vous donne des droits légaux spécifiques et vous pouvez avoir d'autres droits, qui varient d'un état ou province à l'autre. Pour plus de détails sur la couverture de garantie et de l'information sur les réparations sous garantie, composez le 1-800-223-7278. Pour enregistrer vos produits en ligne, nous vous encourageons à visiter notre site Web et à vous inscrire pour un compte de membre GRATUIT DELTA® à <http://www.deltamachinery.com/register>.

**AMÉRIQUE LATINE :** Cette garantie ne couvre pas les produits vendus en Amérique latine. Pour les produits vendus en Amérique latine, appeler l'entreprise locale ou consulter le site Web pour obtenir des informations de garantie.

## PIÈCES DE REMPLACEMENT

Cet outil électrique est fourni avec un cordon d'alimentation électrique de type Y. Si le remplacement du CORDON D'ALIMENTATION est nécessaire, cela doit être fait par le fabricant ou son agent afin d'éviter tout risque pour la sécurité. N'utiliser que des pièces de rechange identiques. Pour une liste de pièces ou pour commander des pièces, visitez notre site Web au [www.DeltaMachinery.com/service](http://www.DeltaMachinery.com/service). Vous pouvez également commander des pièces de votre centre de service de garantie autorisé le plus proche ou en appelant le directeur du service technique au 1-800-223-7278 pour recevoir un soutien personnalisé de l'un de nos représentants hautement qualifiés.

## REEMPLACEMENT GRATUIT DES ÉTIQUETTES DE SÉCURITÉ

Si vos étiquettes d'avertissement deviennent illisibles ou sont manquantes, composez le 1-800-223-7278 pour un remplacement gratuit.

## ENTRETIEN ET RÉPARATIONS

Tous les outils de qualité nécessiteront éventuellement un entretien et/ou un remplacement des pièces. Pour plus d'informations sur Delta Power Equipment

Corporation et ses succursales ou pour localiser un centre de réparation autorisé, visitez notre site Web à [www.DeltaMachinery.com/service](http://www.DeltaMachinery.com/service) ou communiquez avec le service à la clientèle au 1-800-223-7278. Toutes les réparations effectuées par nos centres de service sont entièrement garanties contre les défauts de matériau et de fabrication. Nous ne pouvons garantir les réparations effectuées ou tentées par des tierces. En appelant ce numéro, vous pouvez également trouver des réponses aux plus fréquentes questions 24 heures par jour.

Pour plus d'informations, vous pouvez également nous écrire à Delta Power Equipment Corporation, 2651 New Cut Road, Spartanburg, SC 29303 –

Au soin de : Directeur des services techniques. Veuillez à indiquer toutes les informations figurant sur la plaque signalétique de votre scie (numéro de modèle, type, numéro de série, code de date, etc.),

# ÍNDICE

<b>DESCRIPCIÓN FUNCIONAL.....</b>	<b>91</b>	CORTES DE INGLETE .....	117
<b>INSTRUCCIONES DE SEGURIDAD IMPORTANTES.....</b>	<b>92</b>	CORTES EN INGLETE COMPUESTOS .....	118
<b>SÍMBOLOS DE SEGURIDAD- DEFINICIONES.....</b>	<b>92</b>	CORTES DE PANEL LARGOS .....	118
<b>NORMAS DE SEGURIDAD GENERALES.....</b>	<b>93</b>	CORTES NO PASANTES .....	118
<b>REGLAS DE SEGURIDAD DE LA SIERRA DE MESA.....</b>	<b>94</b>	REALIZACIÓN DE UN CORTE NO PASANTE .....	118
TERMINOLOGÍA .....	94	<b>AUXILIARES Y ACCESORIOS DE CORTE .....</b>	<b>119</b>
SEGURIDAD GENERAL DE HERRAMIENTAS		VARILLA DE EMPUJE .....	119
MOTORIZADAS.....	94	REFRENTADO DEL MEDIDOR DE INGLETE	
CONJUNTO DE PROTECCIÓN DE LA HOJA,		AUXILIAR.....	120
SEPARADOR Y TRINQUETES DE PREVENCIÓN DE		BLOQUE DE EMPUJE.....	120
CONTRAGOLPES.....	96	TABLAS DE CUÑA.....	121
CONTRAGOLPES .....	96	CALIBRE DE CORTE.....	121
<b>CONEXIONES DE LA ALIMENTACIÓN.....</b>	<b>97</b>	PLANTILLAS.....	121
FUENTE DE ALIMENTACIÓN.....	97	<b>CÓMO REALIZAR AJUSTES .....</b>	<b>122</b>
CABLES DE EXTENSIÓN.....	97	NIVELADO DE LA PLACA DE GARGANTA .....	122
<b>ADVERTENCIA DE LA PROPUESTA 65:.....</b>	<b>97</b>	CÓMO COLGAR LA HOJA EN POSICIÓN	
<b>CÓMO DESEMPACAR.....</b>	<b>98</b>	VERTICAL A LA MESA EN ESCUADRA .....	122
DESCRIPCIÓN DE LOS CONTENIDOS DEL		AJUSTE DE LOS TOPES DE BISEL.....	123
PAQUETE (CDAD).....	98	AJUSTE DE LA ALTURA DE LA HOJA .....	124
CONTENIDO DE LA BOLSA DE TORNILLERÍA.....	99	CAMBIO DEL BISEL .....	124
<b>MONTAJE .....</b>	<b>99</b>	USO DE LA GALGA DE INGLETE .....	125
MONTAJE DEL SOPORTE.....	100	INSTALANDO LA VALLA.....	126
ACOPLE LA SIERRA AL CONJUNTO DE SOPORTE...	104	USO DE ESCALAS CODIFICADAS POR COLOR.....	127
INSTALACIÓN DE LA PERILLA DE AJUSTE DE		AJUSTE DEL SISTEMA DE CARRIL.....	130
ALTURA.....	105	<b>POSICIÓN Y ALINEACIÓN DE LA ALTURA DEL</b>	
HOJA Y PROTECCIONES.....	106	<b>SEPARADOR.....</b>	<b>131</b>
ACOPLE DE LA HOJA.....	106	SET DE ALTURA DE CUCHILLO DE BUCEO.....	131
INSERTAR LA PLACA DE GARGANTA .....	108	ALINEACIÓN DEL SEPARADOR .....	132
TRINQUETES DE PREVENCIÓN DE CONTRAGOLPES Y		<b>MANTENIMIENTO .....</b>	<b>134</b>
PROTECCIÓN DE LA HOJA .....	110	<b>RESOLUCIÓN DE PROBLEMAS .....</b>	<b>134</b>
GUARDA PARA HOJA.....	111	<b>ACCESORIOS .....</b>	<b>135</b>
ALMACENAMIENTO INCORPORADO.....	112	<b>GARANTÍA.....</b>	<b>135</b>
<b>FUNCIONAMIENTO .....</b>	<b>113</b>	<b>FRANÇAIS .....</b>	<b>46</b>
ENCENDIDO Y APAGADO DE LA SIERRA .....	114	<b>ESPAÑOL .....</b>	<b>91</b>
TRANSPORTE DE LA SIERRA.....	114		
<b>CÓMO REALIZAR LOS CORTES .....</b>	<b>115</b>		
CORTE AL HILO BISELADO .....	116		
CORTE TRANSVERSAL .....	117		
CORTE TRANSVERSAL BISELADO .....	117		

## DESCRIPCIÓN FUNCIONAL

La sierra de mesa de contratista portátil de 10 pulgadas. de la serie DELTA® #36-6023 está diseñada para portabilidad y un rendimiento de alta calidad. Incluye: máquina básica, soporte de acero tubular robusta, conducto para polvo integral de 2 1/2", un sistema de tope guía cuadrado en T, un calibrador de inglete de ranura en T, motor de 15 amperios, interruptor de encendido/apagado, mesa de aluminio moldeado, ala de extensión, protección de disco transparente con protección contragolpes a los dedos, y una hoja de carburo de 10 pulgadas.

**Esta herramienta solo se puede utilizar con hojas de sierra para trabajar la madera.**

## ESPECIFICACIONES

Profundidad de corte máxima a 90 grados:	3-1/2"
Profundidad de corte máxima a 45 grados:	2-1/2"
Corte longitudinal máximo a la derecha de la hoja:	32.5"
Corte longitudinal máximo a la izquierda de la hoja:	22"
<b>ESPECIFICACIONES DEL MOTOR</b>	
Amperes	15 amperes
TENSIÓN	120 voltios

**NOTA:** La portada del manual contiene una ilustración del modelo de producción actual. Todas las otras ilustraciones que figuran en el manual son tan solo representativas y pueden no ser representaciones exactas de las etiquetas o accesorios reales incluidos. Son para fines ilustrativos solamente

# INSTRUCCIONES DE SEGURIDAD IMPORTANTES

**⚠ ADVERTENCIA** LEA Y SIGA CUIDADOSAMENTE TODAS LAS ADVERTENCIAS E INSTRUCCIONES QUE SE ENCUENTRAN EN EL PRODUCTO Y EN ESTE MANUAL. CONSERVE ESTE MANUAL. AL UTILIZAR LA HERRAMIENTA, ASEGÚRESE DE QUE TODOS LOS USUARIOS ESTÉN FAMILIARIZADOS CON LAS ADVERTENCIAS E INSTRUCCIONES.

Una utilización, mantenimiento o modificación incorrectos de las herramientas o equipamiento podrían causar lesiones graves y/o daños materiales. modification des outils ou du matériel peuvent entraîner des blessures graves et/ou des dommages matériels.

## SÍMBOLOS DE SEGURIDAD- DEFINICIONES

Este manual contiene información que es importante que usted conozca y entienda. Esta información se refiere a la protección de SU SEGURIDAD y PREVIENE PROBLEMAS DEL EQUIPO. Para ayudarlo a reconocer esta información, usamos los símbolos debajo. Lea el manual y preste atención a estas secciones.








**⚠ PELIGRO:** Indica una situación de peligro inminente que, si no se evita, provocará muertes o lesiones graves.

**⚠ ADVERTENCIA** Indica una situación potencialmente peligrosa que, si no se evita, podría causar muertes o lesiones graves

**⚠ PRECAUCIÓN:** Indica una situación potencialmente peligrosa que, si no se evita, podría causar lesiones menores o moderadas.

**PRECAUCIÓN:** Utilizada sin el símbolo de advertencia de seguridad indica una situación potencialmente peligrosa que, si no se evita, podría causar daño a la propiedad.

Es posible que se empleen en esta herramienta algunos de los siguientes símbolos. Le suplicamos estudiarlos y aprender su significado. Una correcta interpretación de estos símbolos le permitirá utilizar mejor y de manera más segura la herramienta.

SÍMBOLO	NOMBRE	DENOMINACIÓN/EXPLICACIÓN
	Alerta de seguridad	Indica un peligro posible de lesiones personales.
	Lea el manual del operador	Para reducir el riesgo de lesiones, el usuario debe leer y comprender el manual del operador antes de usar este producto.
	Protección ocular	Siempre póngase protección ocular con protección lateral con la marca de cumplimiento de la norma ANSI Z87.1.
	Símbolo de no acercar las manos	Si no mantiene las manos alejadas de la hoja de corte, se causará serias lesiones corporales.
	Alerta de condiciones húmedas	No exponga la unidad a la lluvia ni la use en lugares húmedos.
	Peligro de pellizco	Siempre observe el movimiento prestando atención en particular a lugares donde puede ocurrir un pellizco.
V	Volts	Voltaje
A	Amperes	Corriente
Hz	Hertz	Frecuencia (ciclos por segundo)
min	Minutos	Tiempo
~	Corriente alterna	Tipo de corriente
$n_0$	Velocidad en vacío	Velocidad de rotación, en vacío
.../min	Por minuto	Revoluciones, carreras, velocidad superficial, órbitas, etc., por minuto
A.C	Corriente alterna	Tipo de corriente
Kg	Kilogramos	unidad de peso
RPM	Revoluciones por minuto	velocidad de rotaciones de la máquina
	Aislamiento doble	Para reducir el riesgo de descarga eléctrica, este equipo tiene un enchufe polarizado (una cuchilla es más ancha que la otra). Este enchufe encajará en una toma de corriente polarizada de una sola manera. Si el enchufe no encaja completamente en el tomacorriente, invierta el enchufe. Si aún no encaja, comuníquese con un electricista calificado para instalar el tomacorriente adecuado. No cambie el enchufe de ninguna manera.

# ADVERTENCIAS DE SEGURIDAD DE LA HERRAMIENTA ELÉCTRICA GENERAL

**⚠ ADVERTENCIA:** Lea todas las advertencias de seguridad, instrucciones, ilustraciones y especificaciones suministradas con esta herramienta motorizada. No seguir todas las instrucciones detalladas a continuación podría provocar descargas eléctricas, incendios y/o lesiones graves.


Guarde todas las advertencias e instrucciones para consulta futura.

El término "herramienta motorizada" en las advertencias hace referencia a la herramienta motorizada (con cable) que funciona con energía eléctrica o a la herramienta motorizada (sin cable) que funciona a BATERÍA.

## 1. Seguridad en el área de trabajo

- Mantenga el área de trabajo limpia y bien iluminada. Las áreas desordenadas u oscuras están propensas a accidentes.
- No utilice las herramientas motorizadas en atmósferas explosivas, como bajo la presencia de líquidos inflamables, gases o polvo. Las herramientas motorizadas generan chispas que podrían encender el polvo o los gases.
- Mantenga alejados a los niños y personas que están observando durante el uso de una herramienta motorizada. Las distracciones pueden provocar una pérdida de control.

## 2. Seguridad eléctrica

- El enchufe de la herramienta motorizada deberá coincidir con el tomacorriente. Nunca modifique el enchufe de ninguna manera. No utilice ningún adaptador con las herramientas motorizadas de conexión a tierra. Los enchufes no modificados y los tomacorrientes que coincidan con el enchufe reducirán el riesgo de descargas eléctricas.
- Evite el contacto del cuerpo con superficies de conexión a tierra, como tuberías, radiadores, estufas y heladeras. Existe un riesgo mayor de descarga eléctrica si su cuerpo está conectado a tierra.
-  No exponga las herramientas motorizadas a la lluvia o condiciones húmedas. El ingreso de agua en una herramienta motorizada aumentará el riesgo de descargas eléctricas.
- No realice un uso incorrecto del cable. Nunca utilice el cable para transportar, tirar o desenchufar la herramienta motorizada. Mantenga el cable alejado de aceite caliente, bordes filosos o piezas móviles. Los cables dañados o enredados aumentan el riesgo de descargas eléctricas.
- Al utilizar una herramienta motorizada en exteriores, utilice un cable de extensión adecuado para el uso en exteriores. Emplear un cable adecuado para el uso en exteriores reduce el riesgo de descargas eléctricas.
- Si es inevitable el uso de una herramienta motorizada en una ubicación húmeda, utilice una fuente de alimentación con protección por parte de un interruptor de circuito con pérdida a tierra (GFCI, por sus siglas en inglés). El uso de un GFCI reduce el riesgo de descargas eléctricas.

## 3. Seguridad personal

- Manténgase alerta, preste atención a la tarea que está realizando y utilice el sentido común al utilizar una herramienta motorizada. No utilice una herramienta motorizada si está cansado o bajo la influencia de drogas, alcohol o medicamentos. Un momento de distracción durante el uso de herramientas eléctricas puede provocar una lesión personal grave.
- Utilice equipamiento de protección personal. Siempre utilice protección ocular. El equipamiento de protección, como la máscara antipolvo, los zapatos de seguridad antideslizantes, casco duro o protección auditiva, utilizado para las condiciones apropiadas, reducirá las lesiones personales.
- Evita el arranque accidental. Asegúrese de que el interruptor se encuentre en la posición de apagado antes de la conexión con la fuente de alimentación o el transporte de la herramienta. El transporte de las herramientas motorizadas con el dedo en el interruptor o las herramientas motorizadas energizadas que tienen el interruptor en la posición de encendido pueden generar accidentes.
- Extraiga cualquier llave de ajuste antes de encender la herramienta motorizada. Si deja una llave fijada a una pieza giratoria de la herramienta motorizada, podrían provocarse lesiones personales.
- No intente estirarse en exceso. Mantenga los pies bien colocados y el equilibrio en todo momento. Esto permite lograr un mejor control de la herramienta motorizada en situaciones inesperadas.
- Utilice la vestimenta adecuada. No utilice vestimenta o joyas sueltas. Mantenga su cabello, vestimenta y guantes alejados de las piezas móviles. La vestimenta floja, las joyas o el cabello largo pueden quedar atrapados por las piezas móviles.
- Si se proporcionan dispositivos para la conexión de equipos de extracción y recolección de polvo, asegúrese de que estén conectados y se utilicen de forma correcta. El uso de la recolección de polvo puede reducir los peligros relacionados con el polvo.
- No permita que la confianza obtenida a partir del uso frecuente de las herramientas lo vuelva descuidado e ignore los principios de seguridad de las herramientas. Una acción imprudente puede causar lesiones graves en una fracción de segundo.

## 4. Uso y mantenimiento de la herramienta motorizada

- No fuerce la herramienta motorizada. Utilice la herramienta motorizada correcta para su aplicación. La herramienta motorizada correcta le permitirá realizar el trabajo de forma más eficiente y segura a la velocidad a la que fue diseñada.
- No utilice la herramienta motorizada si el interruptor no se puede colocar en la posición de encendido y apagado. Cualquier herramienta motorizada que no pueda controlarse con el interruptor es peligrosa y deberá repararse.
- Desconecte el enchufe de la fuente de alimentación de la herramienta motorizada antes de realizar cualquier ajuste, cambiar accesorios o almacenar la herramienta motorizada. Dichas medidas de seguridad de prevención reducen el riesgo de un arranque accidental de la herramienta motorizada.
- Almacene las herramientas motorizadas que no utilice lejos del alcance de los niños y no permita que personas que no están familiarizadas con la herramienta motorizada o sus instrucciones utilicen la herramienta motorizada. Las herramientas motorizadas son peligrosas en las manos de usuarios no capacitados.
- Realice un mantenimiento de las herramientas motorizadas y accesorios. Compruebe si existe una alineación incorrecta o atasco de las piezas móviles, rotura de las piezas o cualquier otra condición que podría afectar el funcionamiento de la herramienta motorizada. Si está dañada, haga reparar la herramienta motorizada antes de su uso. Muchos accidentes están causados por un mantenimiento incorrecto de las herramientas motorizadas.
- Mantenga las herramientas de corte afiladas y limpias. Las herramientas de corte con un mantenimiento correcto y bordes de corte afilados están menos propensas a atascarse y son más fáciles de controlar.
- Utilice la herramienta motorizada, accesorios, puntas de herramientas, etc. de acuerdo con estas instrucciones, tomando en cuenta las condiciones de trabajo y la tarea que se realizará. El uso de la herramienta motorizada para operaciones que sean diferentes de aquellas para las que se la diseñó podría derivar en una situación peligrosa.
- Mantenga secas, limpias y sin aceite y grasa las manijas y las superficies de agarre. Las manijas y las superficies de agarre resbalosas no permiten una sujeción y control seguros de la herramienta en situaciones inesperadas.

## 5. Servicio técnico

- Solicite el servicio técnico de su herramienta motorizada a una persona de reparación calificada que utilice únicamente piezas de reemplazo idénticas. Esto garantizará que se mantenga la seguridad de la herramienta motorizada.

# REGLAS DE SEGURIDAD DE LA SIERRA DE MESA

## TERMINOLOGÍA

Los siguientes términos se utilizan en todo el manual y deberá estar familiarizado con estos.

- Corte pasante - cualquier corte que atraviese por completo la pieza de trabajo.
- Corte no pasante - cualquier corte que no atraviese por completo la pieza de trabajo.
- Varilla de empuje - una varilla de madera o plástico, generalmente casera, que se utiliza para empujar una pieza de trabajo pequeña a través de la sierra y que permite mantener las manos del operario lejos de la hoja.
- Contragolpe - cuando la hoja de sierra se empasta en el corte o la pieza de trabajo se empasta entre la hoja y el tope guía y la pieza de trabajo se expulsa hacia el operario.

- A pulso - corte sin el uso de una galga de inglete o tope guía o cualquier otro medio de guía o sujeción de la pieza de trabajo más allá de las manos del operario.
- Corte de penetración - cortes ciegos en la pieza de trabajo realizados elevando la hoja a través de la pieza de trabajo o bajando la pieza de trabajo hacia la hoja.
- Reaserramiento - volteo de la pieza de trabajo para completar un corte que la sierra no puede realizar en una sola pasada.
- Corte cóncavo - operación donde la pieza de trabajo pasa a un ángulo por la hoja. (También conocido como "corte en bóveda")

**⚠ ADVERTENCIA NO SEGUIR ESTAS REGLAS PODRÍA PROVOCAR LESIONES PERSONALES GRAVES.**

## REGLAS ESPECÍFICAS DE SEGURIDAD DE LA SIERRA DE MESA

**⚠ ADVERTENCIA LEA TODAS LAS ADVERTENCIAS DE SEGURIDAD DESIGNADAS POR EL SÍMBOLO, ⚠ ADEMÁS DE TODAS LAS INSTRUCCIONES.**

### 1. ADVERTENCIAS RELACIONADAS CON LA PROTECCIÓN

- Mantenga los protectores en su lugar. Los protectores deben estar en buen estado de funcionamiento y montados correctamente.** Se debe reparar o reemplazar cualquier protector que esté suelto, dañado o que no funcione correctamente.
- Utilice siempre un protector de hoja de sierra, un separador y un dispositivo anticontragolpe para cada operación de corte.** Para operaciones de corte en las que la hoja de sierra corta completamente a través del grosor de la pieza de trabajo, el protector y otros dispositivos de seguridad ayudan a reducir el riesgo de lesiones.
- Vuelva a colocar inmediatamente el sistema de protección después de completar una operación (como ranurar, frisar o volver a aserrar cortes) que requiera retirar la protección, el separador o el dispositivo anticontragolpe.** El protector, el separador y el dispositivo anticontragolpe ayudan a reducir el riesgo de lesiones.
- Asegúrese de que la hoja de sierra no esté en contacto con el protector, el separador o la pieza de trabajo antes de encender el interruptor.** El contacto involuntario de estos elementos con la hoja de sierra podría causar una condición peligrosa.
- Regule el separador tal como se describe en este manual.** La separación, el posicionamiento y la alineación incorrecta puede provocar que el separador funcione de manera ineficaz para reducir la probabilidad de contragolpes.
- Para que el separador y el dispositivo anticontragolpe funcionen, deben estar acoplados a la pieza de trabajo.** El separador y el dispositivo anticontragolpe son ineficaces cuando se cortan piezas demasiado cortas para que estos dispositivos las sujeten. En estas condiciones, el separador y el dispositivo anticontragolpe no pueden evitar un contragolpe.
- Use la hoja de sierra apropiada para el separador.** Para que el separador funcione correctamente, el diámetro de la hoja de sierra debe coincidir con el separador adecuado, el cuerpo de la hoja de sierra debe ser más delgado que el grosor del separador y el ancho de corte de la hoja de sierra debe ser más amplio que el grosor del separador.

### 2. ADVERTENCIAS PARA LOS PROCEDIMIENTOS DE CORTE

- PELIGRO: nunca coloque los dedos o las manos cerca o en línea con la hoja de sierra.** Un momento de falta de atención o un resbalón podría dirigir su mano hacia la hoja de sierra y provocar lesiones personales graves.
- Introduzca la pieza de trabajo en la hoja de sierra o en el cortador solo en sentido contrario a la dirección de giro.** Si se introduce la pieza de trabajo en la misma dirección en la que gira la hoja de sierra por encima de la mesa, es posible que la pieza de trabajo y su mano se vean impulsadas hacia la hoja de sierra.
- Nunca utilice el medidor de ingletes para introducir la pieza de trabajo al aserrar y no utilice la guía de corte longitudinal como tope de longitud al cortar transversalmente con el medidor de ingletes.** Si se guía la pieza de trabajo con la guía de corte longitudinal y el medidor de ingletes al mismo tiempo, aumenta la probabilidad de que la hoja de sierra se atasque y se produzca un contragolpe.
- Al aserrar, aplique siempre la fuerza de avance de la pieza de trabajo entre la guía y la hoja de sierra.** Utilice una vara para empujar cuando la distancia entre la guía y la hoja de sierra sea inferior a 150 mm, y utilice un bloque de presión cuando esta distancia sea inferior a 50 mm. Los dispositivos de "ayuda para el trabajo" mantendrán su mano a una distancia segura de la hoja de sierra.
- Utilice únicamente la vara para empujar proporcionada por el fabricante o una fabricada de acuerdo con las instrucciones.** Esta vara para empujar proporciona una distancia adecuada entre la mano y la hoja de sierra.
- Nunca utilice una vara para empujar dañada o rota.** Una vara para empujar dañada puede romperse, lo que provocaría que su mano se deslice hacia la hoja de sierra.
- No realice ninguna operación "a mano alzada".** Utilice siempre la guía de corte longitudinal o el medidor de ingletes para posicionar y guiar la pieza de trabajo. Por "a mano alzada" se entiende el uso de las manos para apoyar o guiar la pieza de trabajo, en lugar de una guía de corte longitudinal o un medidor de ingletes. El aserrado a mano alzada provoca desalineación, atascamiento y contragolpe.
- Nunca extienda la mano alrededor de una sierra giratoria ni sobre ella.** Tratar de alcanzar una pieza de trabajo puede provocar un contacto accidental con la hoja de sierra en movimiento.
- Cuando utilice piezas de trabajo largas o anchas, proporcione soporte auxiliar para la pieza de trabajo en la parte posterior o en los lados de la mesa de la sierra con el fin de mantenerla nivelada.** Una pieza de trabajo larga o ancha tiende a oscilar en el borde de la mesa, lo que causa pérdida de control, atascamiento de la hoja de sierra y contragolpe.
- Haga avanzar la pieza de trabajo a un ritmo uniforme. No doble ni retuerza la pieza de trabajo.** Si se produce un atasco, apague la herramienta inmediatamente, desenchufe la herramienta y luego elimine el atasco. Si se atasca la hoja de sierra en la pieza de trabajo, se puede producir un contragolpe o un fallo en el.
- No retire piezas de material de corte mientras la sierra esté en marcha.** El material puede quedar atrapado entre la guía o dentro del protector de la hoja de sierra, y la hoja de sierra puede arrastrar sus dedos hacia la hoja de sierra. Apague la sierra y espere hasta que la hoja de sierra se detenga antes de retirar el material.
- Utilice una guía auxiliar en contacto con la cubierta de mesa cuando corte piezas de menos de 2 mm de grosor.** Una pieza de trabajo delgada puede atascarse debajo de la guía de corte longitudinal y crear un contragolpe.

# TABLA DE REGLAS DE SEGURIDAD DE LA SIERRA

m. **NUNCA CORTE METALES, TABLERO DE CEMENTO O MASONERÍA.** Ciertos materiales hechos por el hombre tienen instrucciones especiales para cortar en sierras de mesa. Siga las recomendaciones del fabricante en todo momento para evitar el sobrecalentamiento de las puntas de la hoja de sierra y derretir el plástico.. Evite sobrecalentar las puntas de la cuchilla empujando el material a través de la cuchilla de manera uniforme. Forzar el material a rápido puede causar calentamiento y daños a la cuchilla o pieza de trabajo. Si se permite cortar plásticos, para evitar derretir el plástico.

## 3. Causas del contragolpe y advertencias relacionadas

**El contragolpe es una reacción repentina de la pieza de trabajo debido a una hoja de sierra apretada y atascada, o a una línea de corte desalineada en la pieza de trabajo con respecto a la hoja de sierra, o cuando una parte de la pieza de trabajo se une entre la hoja de sierra y la guía de corte longitudinal o cualquier otro objeto fijo.**

- a. **Con mayor frecuencia durante el contragolpe, la parte posterior de la hoja de sierra levanta la pieza de trabajo de la mesa y la propulsa hacia el operador.** El contragolpe es la consecuencia del uso inadecuado de la sierra o de condiciones o procedimientos de funcionamiento incorrectos, y se puede evitar al tomar precauciones adecuadas como se indica a continuación.
- b. **Nunca se pare directamente en línea con la hoja de sierra. Sitúe siempre el cuerpo en el mismo lado de la hoja de sierra que la guía.** El contragolpe puede propulsar la pieza de trabajo a alta velocidad hacia cualquiera que se encuentre de pie delante y en línea con la hoja de sierra.
- c. **Nunca extienda la mano por encima o por detrás de la hoja de sierra para jalar o sostener la pieza de trabajo.** Puede producirse un contacto accidental con la hoja de sierra o el contragolpe puede arrastrar los dedos hacia la hoja de sierra.
- d. **Nunca sostenga y presione la pieza de trabajo que está cortando contra la hoja de sierra giratoria.** Presionar la pieza de trabajo que se está cortando contra la hoja de sierra creará una condición de atascamiento y contragolpe.
- e. **Alinear la guía para que quede paralela a la hoja de sierra.** Una guía desalineada pellizcará la pieza de trabajo contra la hoja de sierra y creará un contragolpe.
- f. **Utilice una tabla con canto biselado para guiar la pieza de trabajo contra la mesa y la guía cuando haga cortes sin traspaso, como ranuras, o cortes de reaserrado.** Una tabla con canto biselado ayuda a controlar la pieza de trabajo en caso de contragolpe.
- g. **Tenga mucho cuidado cuando haga un corte en áreas no visibles de piezas de trabajo ensambladas.** La hoja de sierra sobresaliente puede cortar objetos que pueden causar contragolpe.
- h. **Tenga mucho cuidado cuando haga un corte en áreas no visibles de piezas de trabajo ensambladas.** La hoja de sierra sobresaliente puede cortar objetos que pueden causar contragolpe.
- i. **Tenga especial precaución al cortar una pieza de trabajo que esté torcida, anudada, deformada o que no tenga un borde recto para guiarla con un medidor de ingleses o a lo largo de la guía.** Una pieza de trabajo deformada, anudada o torcida es inestable y causa desalineación de la entalladura con la hoja de sierra, atascamiento y contragolpe.
- j. **Nunca corte más de una pieza de trabajo, apilada vertical u horizontalmente.** La hoja de sierra puede tomar una o más piezas y causar un contragolpe.
- k. **Al volver a arrancar la sierra con la hoja de sierra en la pieza de trabajo, centre la hoja de sierra en la entalladura de modo que los dientes de la sierra no estén enganchados en el material.** Si la hoja de la sierra se atasca, es posible que levante la pieza de trabajo y cause un contragolpe al volver a arrancar la sierra.
- l. **Mantenga las hojas de sierra limpias, afiladas y con un ajuste adecuado.** Nunca utilice hojas de sierra deformadas ni hojas de sierra con dientes rotos o agrietados. Las hojas de sierra afiladas y ajustadas adecuadamente minimizan el enredo, el atascamiento y el contragolpe.

## 4. Advertencias sobre los procedimientos de operación de la sierra de mesa

- a. **Apague la sierra de mesa y desconecte el cable de alimentación cuando retire el accesorio de la mesa,** cambie la hoja de sierra o realice ajustes en el separador, en el dispositivo anticontragolpe o en el protector de la hoja de sierra, además de cuando deje la máquina desatendida. Las medidas de precaución evitan accidentes.
- b. **Nunca deje la sierra de mesa funcionando desatendida.** Apáguela y no suelte la herramienta hasta que no se detenga completamente. Una sierra en funcionamiento desatendida es un peligro incontrolable.
- c. **Ubique la sierra de mesa en un área bien iluminada y nivelada donde pueda mantener un buen apoyo de los pies y un buen equilibrio.** Se debe instalar en un área que proporcione suficiente espacio para manejar fácilmente el tamaño de su pieza de trabajo. Las áreas estrechas y oscuras, además de los pisos irregulares y resbaladizos favorecen los accidentes.
- d. **Limpie y retire con frecuencia el aserrín de debajo de la mesa de la sierra o del dispositivo de recolección de polvo.** El aserrín acumulado es combustible y puede encenderse solo.
- e. **La sierra de mesa debe estar asegurada.** Una sierra de mesa que no está debidamente asegurada puede moverse o volcarse.
- f. **Retire las herramientas, los restos de madera, etc. de la mesa antes de encender la sierra de mesa.** La distracción o un atasco potencial pueden ser peligrosos.
- g. **Siempre use hojas de sierra con orificios para el eje del tamaño y la forma correctos (diamante en comparación con redondo).** Las hojas de sierra que no coinciden con los aditamentos de montaje de la sierra funcionarán descentrados y causarán una pérdida de control.
- h. **Nunca utilice medios de montaje de la hoja de sierra dañados o incorrectos, tales como bridas, arandelas de la hoja de sierra, pernos o tuercas.** Estos medios de montaje se diseñaron especialmente para la sierra, con el fin de brindar un funcionamiento seguro y un rendimiento óptimo.
- i. **Nunca se pare sobre la sierra de mesa, no la use como banco.** Si la herramienta se voltea o si la herramienta de corte se toca accidentalmente, se pueden producir lesiones graves.
- j. **Asegúrese de que la hoja de sierra esté instalada para que gire en la dirección correcta. No use discos de pulido, cepillos de alambre o discos abrasivos en una sierra de mesa. La instalación incorrecta de la hoja de sierra o el uso de accesorios no recomendados pueden causar lesiones graves.**
- k. **NO RETIRE LA PIEZA DE TRABAJO ATRAPADA sin apagar primero la sierra y desconectar la sierra de la fuente de alimentación.**

# REGLAS DE SEGURIDAD DE LA SIERRA DE MESA

## CONJUNTO DE PROTECCIÓN DE LA HOJA, SEPARADOR Y TRINQUETES DE PREVENCIÓN DE CONTRAGOLPES

La sierra está equipada con un conjunto de protección de la hoja, separador y trinquetes de prevención de contragolpes que cubre la hoja y reduce las posibilidades de un contacto accidental con la hoja. El separador es una placa plana que se acomoda en el corte realizado por la hoja de sierra y combate eficazmente el contragolpe reduciendo la tendencia de la hoja a atascarse en el corte. Dos trinquetes de prevención de contragolpes se encuentran a los lados del separador que permiten el paso de la madera por la hoja en la dirección del corte pero reduce la posibilidad de que el material se expulse hacia el operario. La protección de la hoja y los trinquetes de prevención de contragolpes solo pueden utilizarse cuando se realizan cortes completos que separan la madera. Al realizar rebajos y otros cortes no pasantes, deben quitarse la protección de la hoja y los trinquetes de prevención de contragolpes; además,

el separador debe bajarse a la posición de corte no pasante marcada en el separador. Utilice todos los componentes del sistema de protecciones (conjunto de la protección de la hoja, separador y trinquetes de prevención de contragolpes) para cada operación en la cual pueden usarse, incluidos todos los cortes pasantes. Si elige no usar ninguno de estos componentes para una aplicación en particular, tenga especial cuidado en cuanto al control de la pieza de trabajo, el uso de varillas de empuje, la posición de sus manos con respecto a la hoja, el uso de gafas de seguridad, los medios para evitar contragolpes y el resto de las advertencias mencionadas en este manual y en la misma sierra. Reemplace los sistemas de protecciones en cuanto regrese a operaciones de corte pasante. Mantenga el conjunto de la protección en buenas condiciones de utilización.

## CONTRAGOLPES

Los contragolpes pueden causar lesiones graves. Un contragolpe ocurre cuando una parte de la pieza de trabajo se atasca entre la hoja de sierra y el tope guía u otro objeto fijo, se eleva de la mesa y es expulsada hacia el operario. Se puede reducir el riesgo de contragolpes prestando atención a las siguientes instrucciones

### CÓMO REDUCIR EL RIESGO DE CONTRAGOLPES Y PROTEGERSE DE POSIBLES LESIONES:

- Asegúrese de que el tope guía esté paralelo a la hoja de sierra.
- **NO** realice un corte al hilo aplicando la fuerza de avance a la sección de la pieza de trabajo que se convertirá en la pieza cortada (libre). Cuando realice un corte al hilo, la fuerza de avance siempre debe aplicarse entre la hoja de la sierra y la guía; utilice una varilla de empuje para trabajos angostos, 6 pulgadas (152 mm) de ancho o menos.
- Mantenga el conjunto de protección de la hoja, separador y trinquetes de prevención de contragolpes de la sierra en su lugar y funcionando de forma correcta. El separador debe estar alineado con la hoja de sierra y el conjunto de prevención de contragolpes debe detener un contragolpe una vez que se ha iniciado. Verifique su acción antes de cortar al hilo empujando la madera por abajo del conjunto de prevención de contragolpes. Los dientes deben evitar que la madera se jale hacia el frente de la sierra. Si alguna parte del conjunto no está operativa, regrese la máquina al

centro de servicio técnico autorizado más cercano para su reparación.

- Los materiales de plástico y compuestos (como madera prensada) pueden cortarse en la sierra. Sin embargo, puesto que usualmente estos son bastante duros y resbalosos, los trinquetes de prevención de contragolpes podría no detener un contragolpe. Por lo tanto, ponga atención especial a la siguiente preparación y procedimientos adecuados para cortar al hilo.
- Use el conjunto de protección de la hoja, separador y trinquetes de prevención de contragolpes en cada operación posible, incluidos todos los cortes pasantes.
- Empuje la pieza de trabajo más allá de la hoja de sierra antes de soltarla.
- **NUNCA** corte al hilo una pieza de trabajo que esté torcida o deformada, o bien que no tenga un borde recto para guiarla por el tope guía.
- **NUNCA** corte una pieza de trabajo larga que no pueda controlar.
- **NUNCA** use el tope guía como una guía o tope de largo al realizar un corte transversal.
- **NUNCA** corte una pieza de trabajo con nudos sueltos, defectos, clavos u otros objetos extraños.
- **NUNCA** corte al hilo una pieza de trabajo con una longitud menor a 10 pulgadas (254 mm).
- **NUNCA** use una hoja desafilada. Una hoja desafilada debe reemplazarse o afilarse.

## CONSERVE ESTAS INSTRUCCIONES.

Refiérase a las mismas a menudo y utilícelas para instruir a otros. Si presta la herramienta a otra persona, también préstele estas instrucciones



# CONEXIONES A LA FUENTE DE PODER

**⚠ PELIGRO:** NO EXPONGA LA MÁQUINA A LA LLUVIA NI LA UTILICE EN LUGARES HÚMEDOS..

## INSTRUCCIONES PARA LA CONEXIÓN A TIERRA

En caso de un mal funcionamiento o avería, la conexión a tierra proporciona a la corriente eléctrica una ruta de menor resistencia para reducir el riesgo de una descarga eléctrica. Esta máquina está equipada con un cable eléctrico que tiene un conductor a tierra para equipos y un enchufe con conexión a tierra. El enchufe debe conectarse a un tomacorriente adecuado que esté debidamente instalado y conectado a tierra de conformidad con todos los códigos y ordenanzas locales.

No modifique el enchufe que se proporciona con la sierra o

que un electricista haya recableado. Si no es posible conectarlo al tomacorriente, pida a un electricista calificado que instale un tomacorriente adecuado. La conexión inadecuada del conductor a tierra para equipos puede resultar en un riesgo de descarga eléctrica. El conductor con aislamiento que tiene una superficie exterior verde con o sin rayas amarillas es el conductor a tierra. Si es necesario reparar o reemplazar el cable eléctrico o enchufe, no conecte el conductor a tierra para equipo a una terminal energizada.

## CABLES DE EXTENSIÓN

**⚠ PELIGRO:** Nunca use un cable de extensión dañado. Revise los cables de extensión antes de cada uso. Si están dañados, reemplácelos de inmediato. Tocar el área dañada podría provocar una descarga eléctrica que resultaría en una lesión grave.

**⚠ PRECAUCIÓN:** Mantenga los cables de extensión lejos del área de trabajo. Coloque el cable de manera que no quede atrapado en la madera, herramientas ni otras obstrucciones.

Cuando use un cable de extensión, asegúrese de usar uno suficientemente pesado para soportar la corriente de la máquina. Un cable de menor calibre provocará una caída en el voltaje de línea, lo que provocará una pérdida de energía y sobrecalentamiento. La siguiente tabla muestra el calibre máximo a usar dependiendo de la longitud del cable. En caso de dudas, use el siguiente calibre más pesado. Entre más pequeño sea el número de calibre, más pesado será el cable. Deben usarse únicamente cables revestidos y redondos indicados por Underwriter's Laboratories (UL).

TAMAÑO DE CALIBRE MÍNIMO DE CABLES DE EXTENSIÓN RECOMENDADOS PARA USARSE CON MÁQUINAS ELÉCTRICAS ESTACIONARIAS			
Amperaje	Voltios	Longitud total del cable en pies	Calibre del cable de extensión
0-6	240	Hasta 50	18 AWG
0-6	240	50-100	16 AWG
0-6	240	100-200	16 AWG
0-6	240	200-300	14 AWG
6-10	240	Hasta 50	18 AWG
6-10	240	50-100	16 AWG
6-10	240	100-200	14 AWG
6-10	240	200-300	12 AWG
10-12	240	Hasta 50	16 AWG
10-12	240	50-100	16 AWG
10-12	240	100-200	14 AWG
10-12	240	200-300	12 AWG
12-16	240	Hasta 50	14 AWG
12-16	240	50-100	12 AWG

TAMAÑO DE CALIBRE MÍNIMO DE CABLES DE EXTENSIÓN RECOMENDADOS PARA USARSE CON MÁQUINAS ELÉCTRICAS ESTACIONARIAS			
Amperaje	Voltios	Longitud total del cable en pies	Calibre del cable de extensión
0-6	120	Hasta 25	18 AWG
0-6	120	25-50	16 AWG
0-6	120	50-100	16 AWG
0-6	120	100-150	14 AWG
6-10	120	Hasta 25	18 AWG
6-10	120	25-50	16 AWG
6-10	120	50-100	14 AWG
6-10	120	100-150	12 AWG
10-12	120	Hasta 25	16 AWG
10-12	120	25-50	16 AWG
10-12	120	50-100	14 AWG
10-12	120	100-150	12 AWG
12-16	120	Hasta 25	14 AWG
12-16	120	25-50	12 AWG
12-16	120	NO SE RECOMIENDAN LONGITUDES MAYORES A 50 PIES	

## ADVERTENCIA DE LA PROPUESTA 65:

**⚠ ADVERTENCIA** El polvo creado por la lijadora, sierra, esmeriladora, perforadora, y otras actividades de construcción eléctricas contiene químicos, que se sabe en el Estado de California producen cáncer, defectos de nacimiento, u otro daño reproductivo. Algunos ejemplos:

- Plomo de pinturas a base de plomo
- Sílice cristalina de los ladrillos y cemento y otros productos de albañilería
- Polvo de asbesto
- Arsénico y cromo de madera con tratamiento químico

• Su riesgo al exponerse a estos químicos varía, dependiendo de la frecuencia con al que realice este tipo de trabajo. Para reducir su exposición, trabaje en un área bien ventilada y con el equipo de seguridad aprobado, como máscaras para el polvo que estén especialmente diseñadas para filtrar partículas microscópicas.

• Evite el contacto prolongado con el polvo proveniente del lijado, corte, esmerilado, perforación y de otras actividades de construcción. Use vestimentas protectoras y lave las áreas expuestas con agua y jabón.

Si posee alguna duda o inquietud relativa al uso de su herramienta o el contenido de este manual, deje de usar la herramienta y comuníquese con el Servicio de Atención al Cliente de DELTA® al 1-800-223-7278.

# CÓMO DESEMPACAR

## FUENTE DE ALIMENTACIÓN

- La máquina es pesada, se requieren dos personas para desempacarla y levantarla.
- Antes del ensamble y uso de la herramienta, lea este manual detenidamente para familiarizarse con el ensamble adecuado, los procedimientos de mantenimiento y seguridad.

Revise el cartón de envío en búsqueda de daño antes de proceder al desempaque. Remueva cuidadosamente los componentes en la capa de espuma superior. Retire la capa de espuma superior y luego retire todos los componentes en la capa de espuma inferior. Coloque todas las piezas en un cartón o en otra superficie plana, limpia. Se precisan dos o más personas para levantar la sierra fuera del cartón.

Siempre verifique y retire los materiales de envío

protectores alrededor de los motores y piezas móviles. No descarte la caja de cartón de envío y los materiales de empaque hasta que haya inspeccionado los contenidos cuidadosamente, ensamblado la máquina y esté satisfecho con la forma en que funciona.

Compare los contenidos del empaque con la Lista de piezas del componente y la Lista de empaque de tornillería antes del ensamblaje para asegurarse se encuentren todos los elementos. Inspeccione las piezas con cuidado para asegurarse de que no haya ocurrido daño durante el envío. Si falta cualquier parte, o estuviese dañada o pre-ensamblada, no ensamble el equipo.

En cambio, comuníquese con Atención al Cliente al 1-800-223-7278 para obtener asistencia.

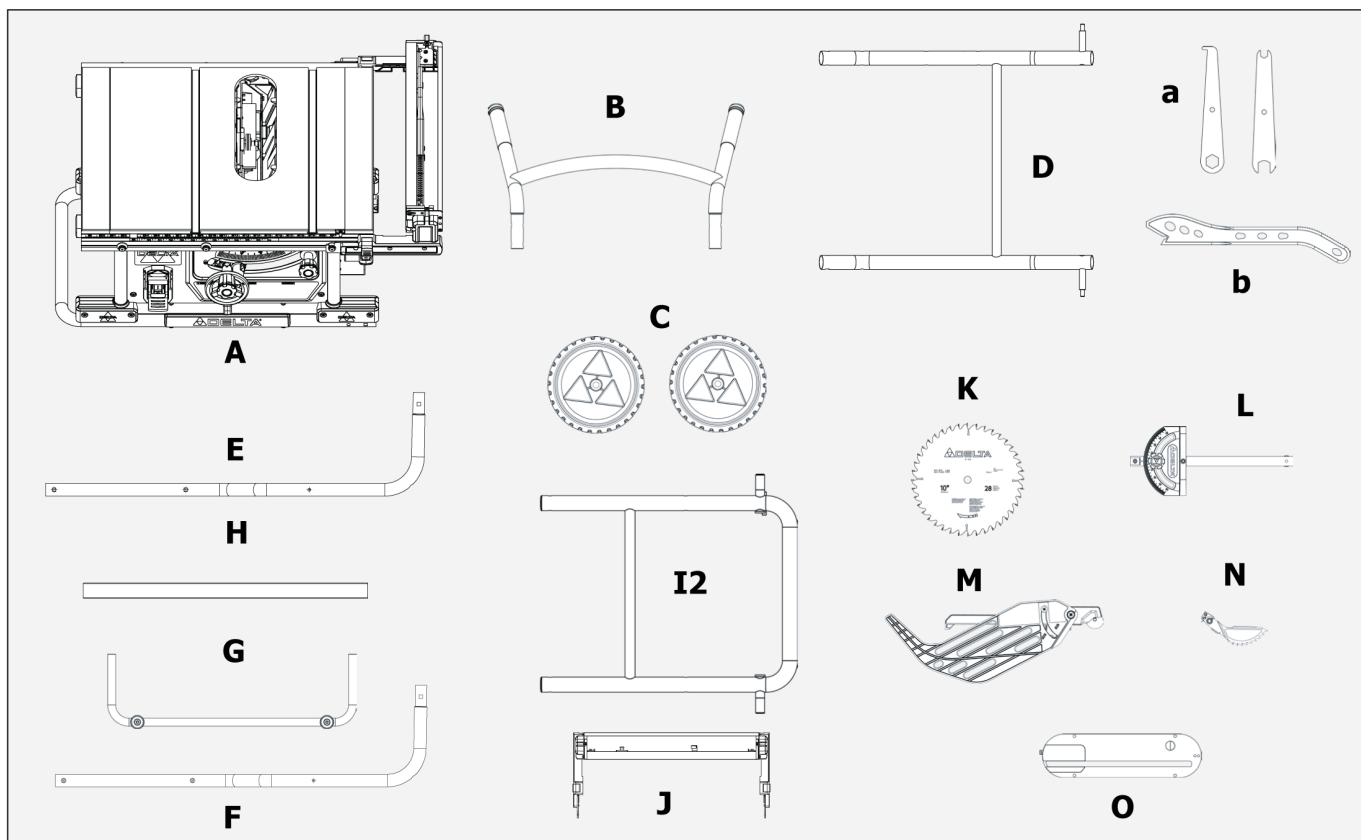
Después de proceder al ensamblaje, retire cualquier material y cubierta protectora de todas las piezas y de la sierra de la mesa.

## DESCRIPCIÓN DE LOS CONTENIDOS DEL PAQUETE (CDAD)

- A. Sierra
- B. Manija de soporte
- C. Ruedas
- D. Conjunto del pedal
- E. Varilla de soporte derecho
- F. Varilla de soporte izquierdo
- G. Tubo de conexión de varilla de soporte
- H. Conjunto de conexión cruzada

- I2. Montaje del soporte superior Parte 2
- J. Tope guía cuadrado en T
- K. Hoja con punta de carburo de 10 pulg.
- L. Galga de inglete
- M. Conjunto de protección de la hoja

- N. Trinquetes de prevención de contragolpes
  - O. Placa de garganta
- Los siguientes elementos pueden encontrarse en sus áreas de almacenamiento respectivo ubicadas en la sierra:
- a. Llaves para hojas (2)
  - b. Varilla de empuje



# CÓMO DESEMPACAR

## CONTENIDO DE LA BOLSA DE TORNILLERÍA

aa. Perno hexagonal M6 x 30 (2)

cc. Espaciador plástico (8)

dd. Contratuerca M8 (12)

ee. Tornillo de cabeza redonda M8 x 75 (8)

ff. Tornillo de cabeza redonda M8 x 35 (4)

hh. Llave Allen de 4 mm (1)

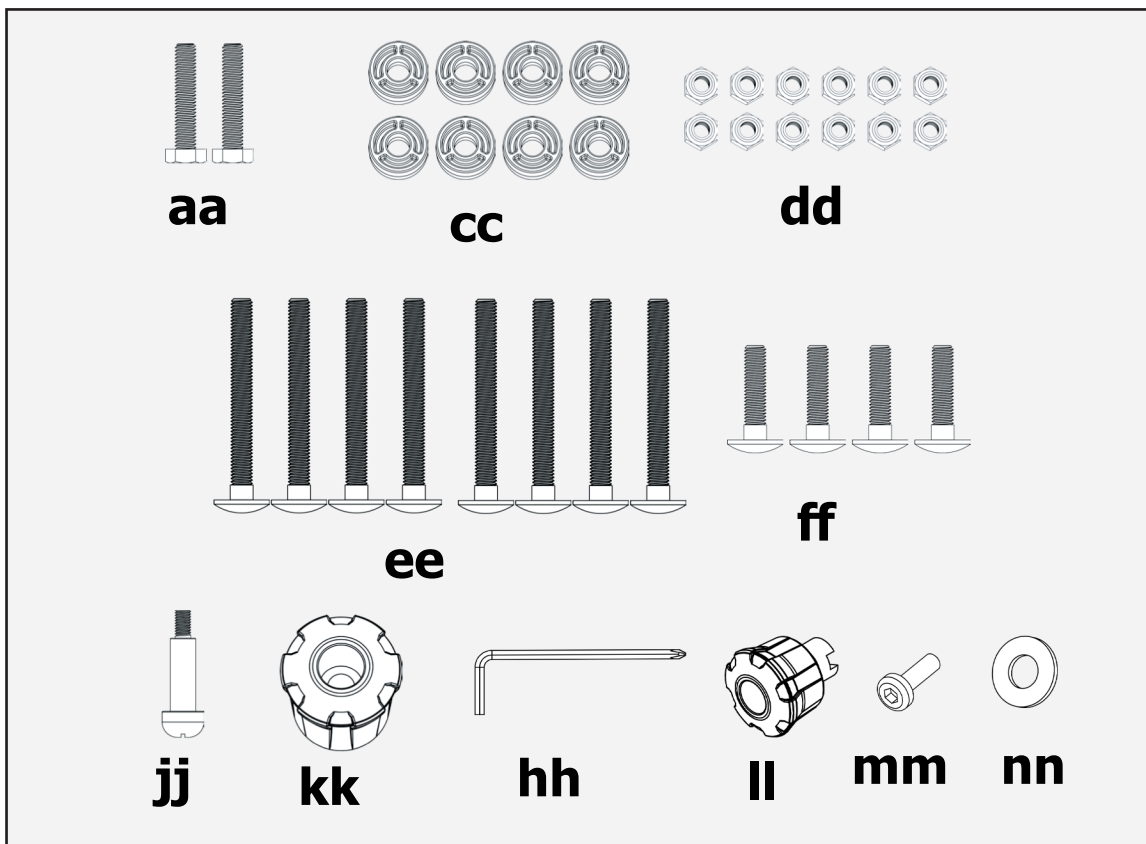
jj. Tornillo de hombro manija de la rueda (1)

kk. Perilla de la rueda de ajuste de altura

ll. Perilla de cremallera y piñón

mm. Tornillo de cabeza redonda hexagonal M6X20L (1)

nn. Arandela plana 6X14X1T



Para medir la longitud del elemento de fijación, véase la página 7 de la lista de piezas.

## MONTAJE

### ⚠ PRECAUCIÓN:

- No levante la sierra sin ayuda. Sujétela cerca de su cuerpo al levantarla. Mantenga las rodillas dobladas y levántela con sus piernas, no con la espalda.
- Ensamble la sierra en su totalidad con el soporte antes del uso.
- El conjunto del soporte es una pieza integral y necesaria para la estructura de apoyo de la sierra.
- No modifique la sierra ni cree accesorios no recomendados para el uso con esta sierra.
- Asegúrese de que el interruptor se encuentra en la posición "APAGADO" antes de realizar la conexión con la fuente de alimentación. No realice la conexión con la fuente de alimentación hasta que no se complete el ensamble.

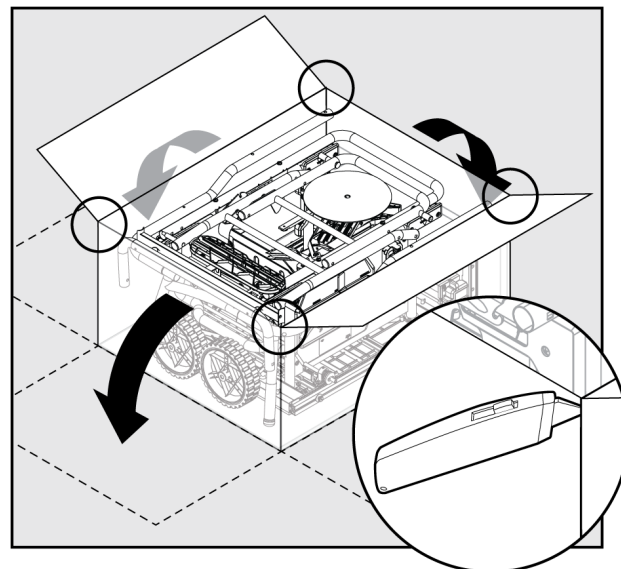
### ⚠ PRECAUCIÓN:

- Evite el contacto con los dientes de la hoja. Mantenga la hoja guardada o en la posición hacia abajo siempre que sea posible.

## DESEMPAQUETADO

1. Coupez les côtés de la boîte au niveau des quatre coins.

**IMPORTANTE:** Antes de ensamblar, separe las bandejas superior e inferior del empaque. Deje la sección de base en la bandeja inferior mientras termina los pasos para montaje de stand.



# MONTAJE

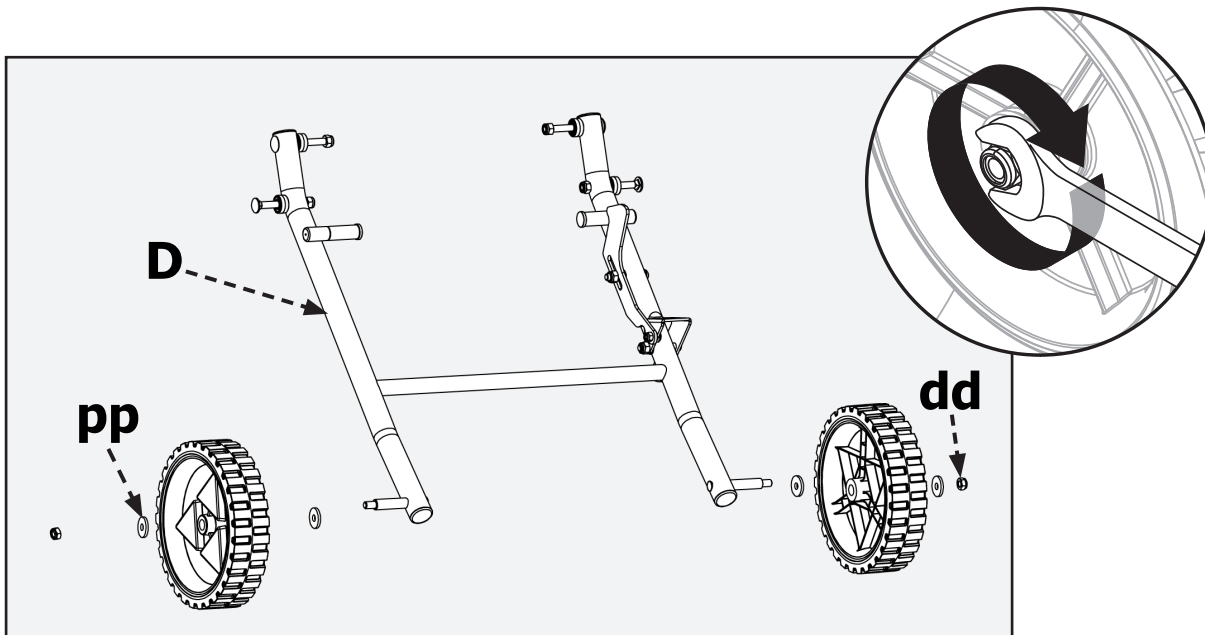


FIGURA 1

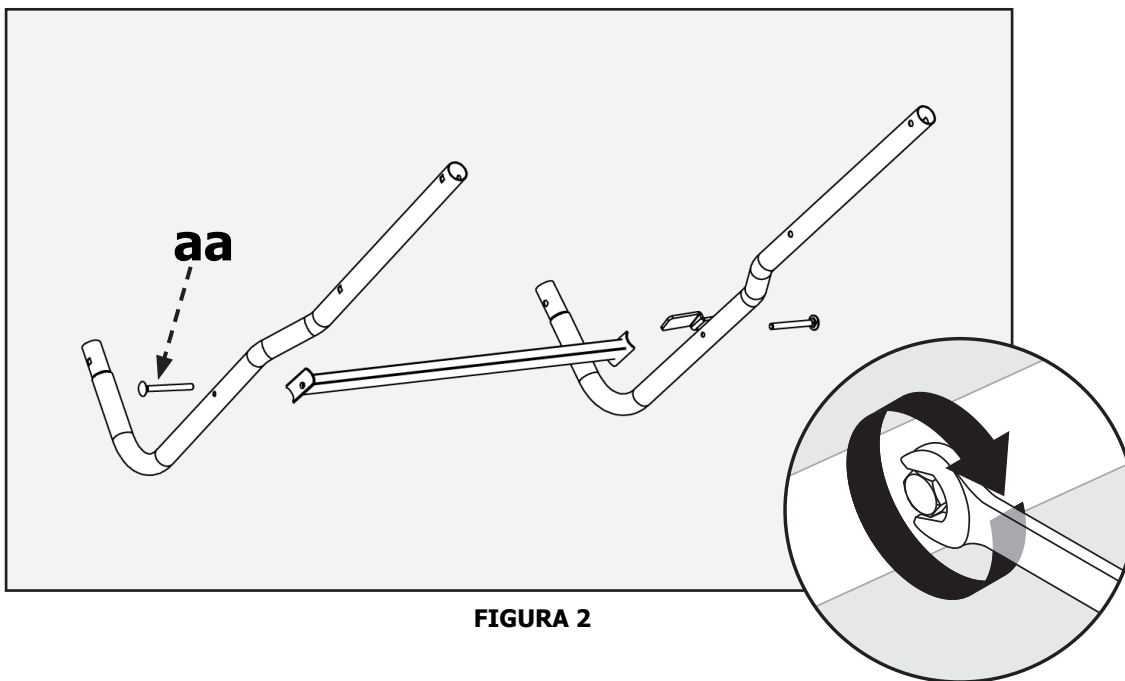


FIGURA 2

## SOPORTE DE MONTAJE

1. Primero retire las arandelas (pp) y las tuercas (dd) del ensamblaje inferior de la pata derecha, luego fije las ruedas (C) al ensamblaje inferior de la pata derecha (D) con las arandelas (pp) y la tuerca (dd). Verifique la orientación de las ruedas y si las ruedas rozan el marco, invierta la orientación. Coloque el conjunto de la rueda a un lado para su uso posterior.
2. Conecte la pieza transversal de la pata (H) a la barra de soporte izquierda (F) y a la barra de soporte derecha (E) con los pernos M6 x 50 (aa).

# MONTAJE

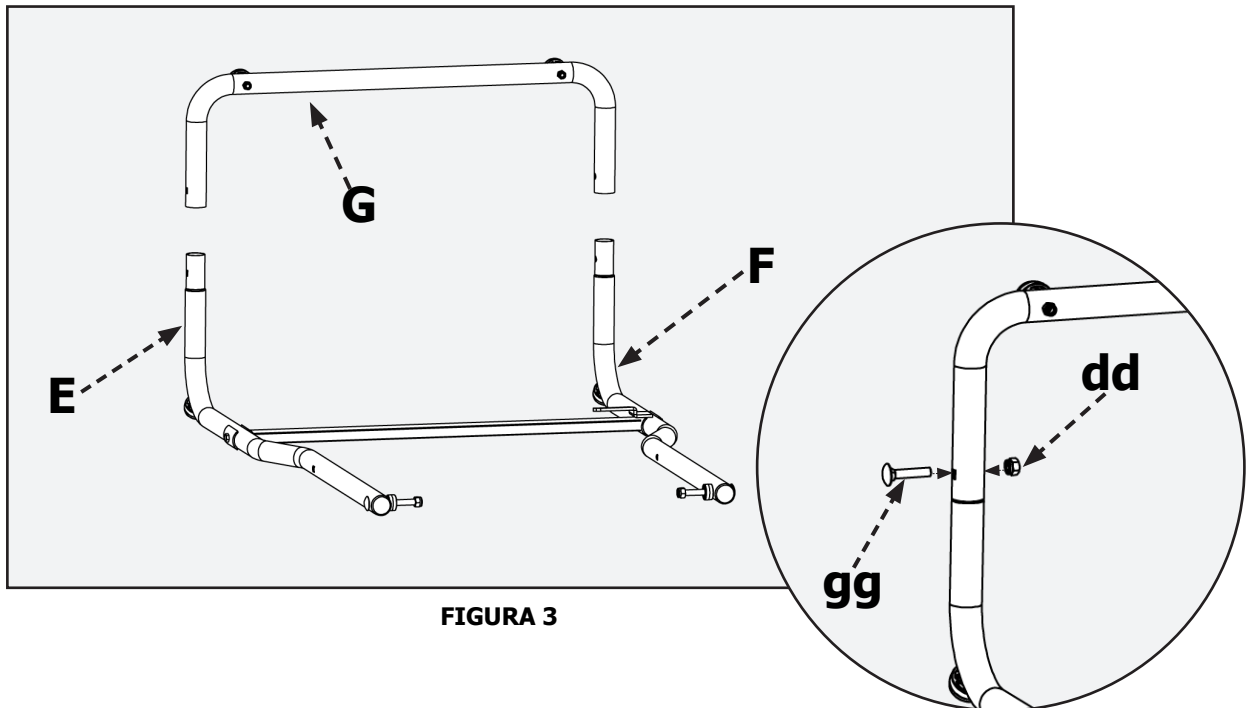


FIGURA 3

Instale el tubo de conexión de la barra de soporte (G) en el ensamblaje de la pata del paso Figura 2. Asegúrelo con M8 x 35 mm (1.38 "). tornillo de cabeza (ff) y tuerca (dd).

**NOTA:** El tubo de conexión de la varilla de soporte de los pies (G) debe mirar hacia el exterior (izquierda).

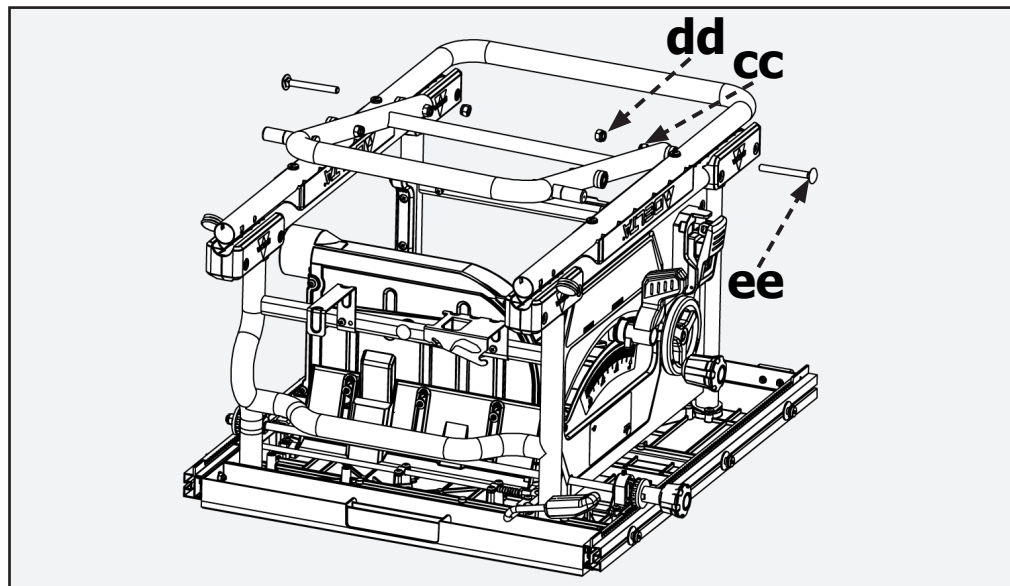


FIGURA 4

Asegure el soporte del soporte superior parte 2 (I2) a la parte del soporte del soporte superior 1 (previamente acoplado a la sierra) con el tornillo de carro M8 x 75 (ee), el espaciador de plástico (cc) y la contratuerca M8 (dd).

# MONTAJE

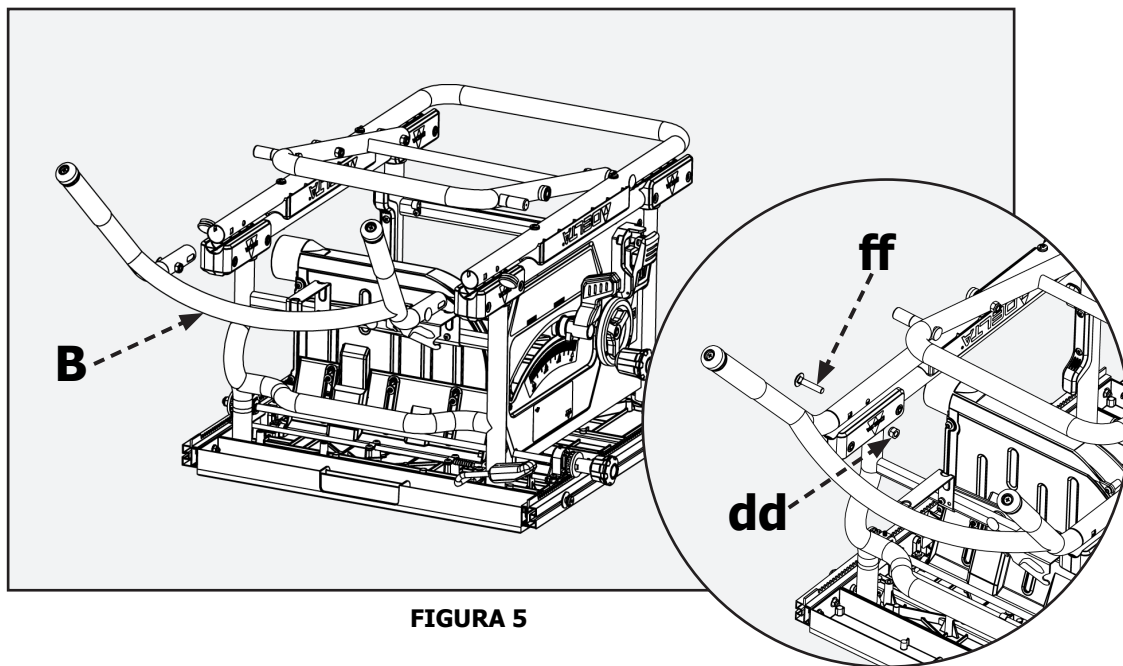


FIGURA 5

Con la mesa aún en la bandeja de empaque inferior, fije la manija del soporte (B) a la mesa con un tornillo de tapa de 1-3 / 8 pulg. (Ff) y una tuerca (dd).

**NOTA:** Los agujeros cuadrados y redondos se pueden alinear juntos.

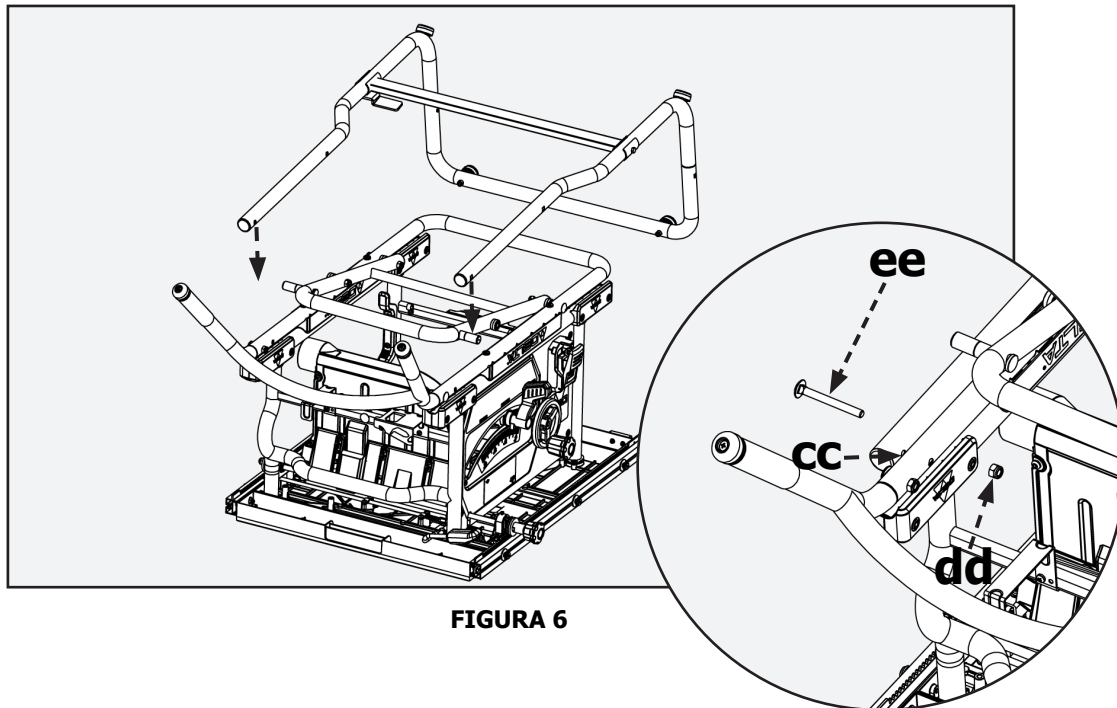


FIGURA 6

Fije el ensamblaje de la pierna a la mesa. Inserte el espaciador (cc) entre las patas y asegúrelo con el perno de transporte (ee) y la tuerca (dd) de M8 x 75 mm (2.95 ").

**NOTA:** Corte la brida que sujeta la pata superior premontada en su lugar.

# MONTAJE

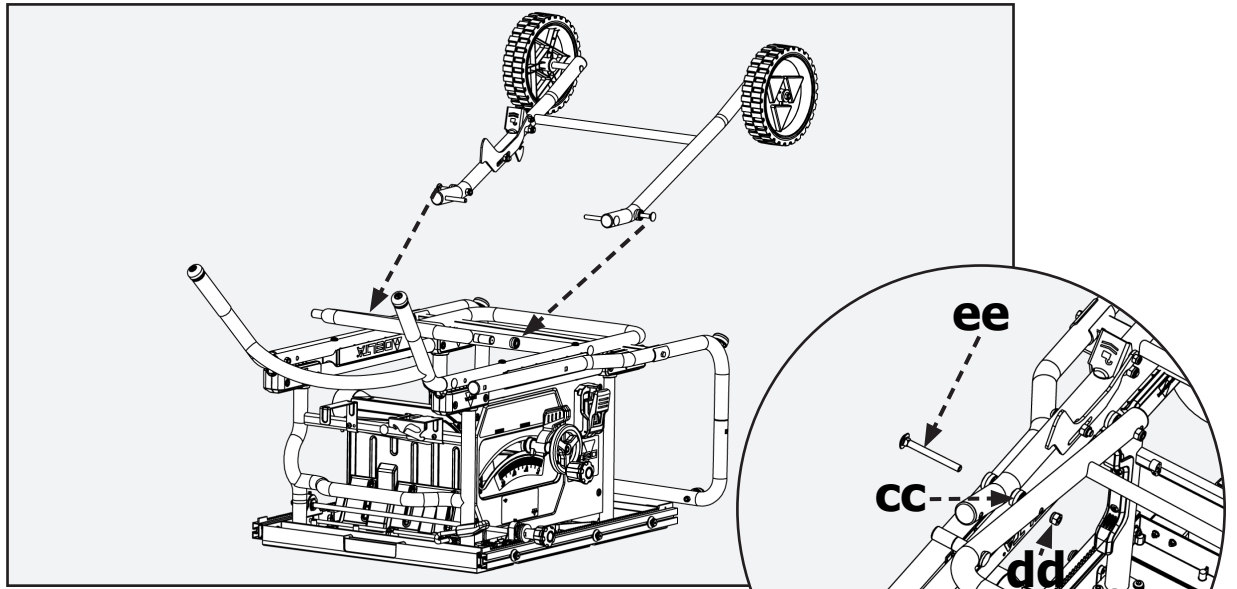


FIGURE 7

Instale el conjunto de la rueda de la figura 1 en el conjunto de patas instalado en la figura 6. Inserte el espaciador (cc) entre las patas y asegúrelas con el perno de transporte M8 x 75 mm (2.95 ") (ee) y la tuerca (dd).

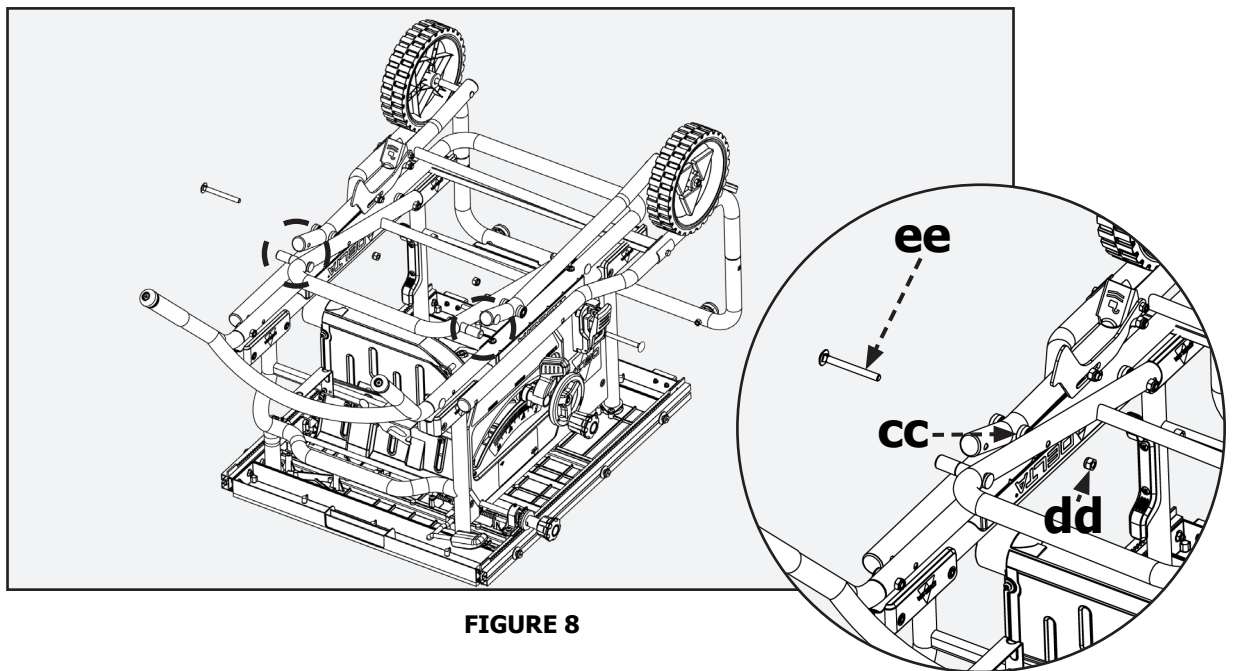


FIGURE 8

Levante la parte más estrecha del soporte para ayudar a alinear los orificios. Inserte el espaciador (cc) entre las patas y asegúrelo con el tornillo de cabeza (ee) y la tuerca (dd) de M8 x 75 mm (2.95 ").

**NOTA:** No apriete demasiado. Corta el pedal de sujeción de la cremallera.

# MONTAJE

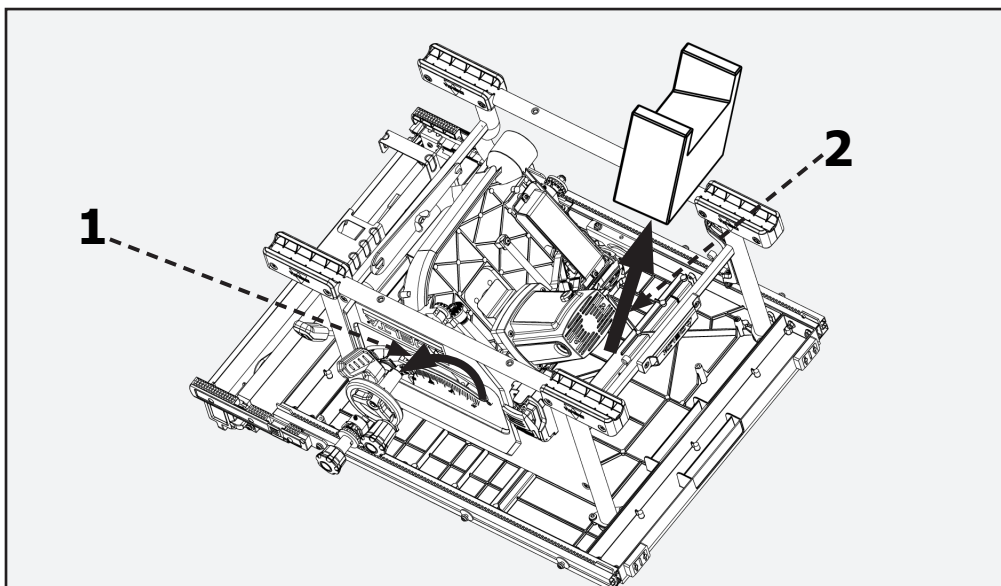


FIGURA 9

## ACOPLE LA SIERRA AL CONJUNTO DE SOPORTE

Desbloquee el inclinador de bloqueo de bisel y gire el conjunto del motor lo suficiente para eliminar la espuma de envío que protege el motor de sierra como se muestra en la Figura 9

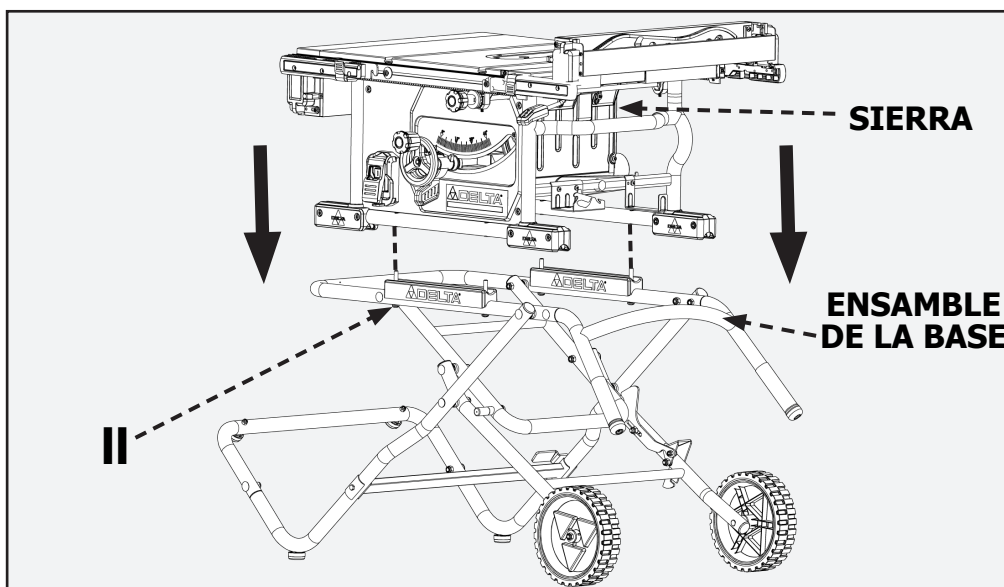


FIGURA 10

Coloque la sierra sobre el soporte y alinee los orificios roscados en la sierra con los orificios que atraviesan el soporte, asegure con cuatro tornillos de compresión de cabeza de botón M8 x 55 (II).

Consulte la Figura 10.



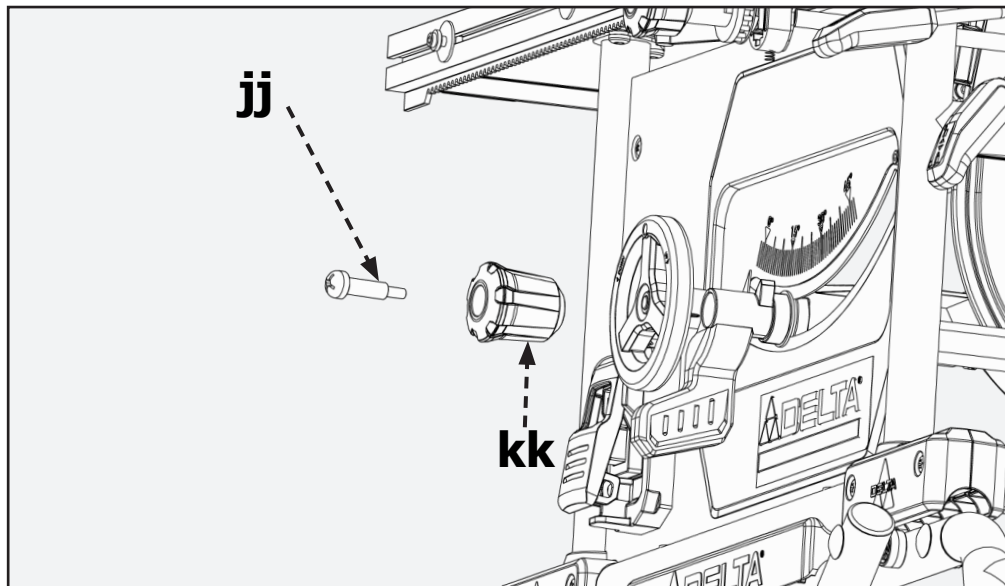


FIGURA 11

## INSTALACIÓN DE LA PERILLA DE AJUSTE DE ALTURA

1. Inserte el tornillo del hombro de la manija de la rueda (jj) en la perilla de rueda de ajuste de altura (kk) como se muestra en la Figura 11.
2. Apriete el tornillo de resalto con un destornillador Phillips en la manivela. La perilla de rueda de ajuste de altura deberá girar libremente alrededor del tornillo de resalto al levantar o bajar la hoja con la manivela de ajuste de altura.

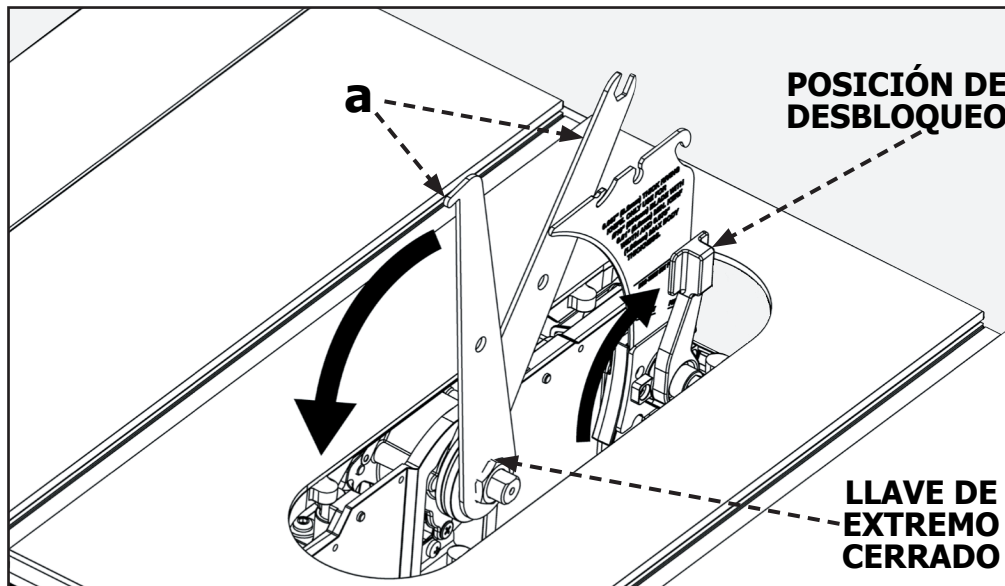


FIGURA 12

## HOJA Y PROTECCIONES

### Acople de la hoja

Después de instalar la perilla de ajuste de altura como se indica en la Figura 11, levante el conjunto del motor/mandril en la posición más superior para proporcionar fácil acceso a la palanca de bloqueo del separador y el conjunto del mandril. Asegúrese de que la palanca de bloqueo del separador esté en la posición de desbloqueo. Consulte la Figura 12. Desacople las llaves incorporadas ubicadas sobre el lado derecho de la sierra aflojando y eliminando la tuerca de mariposa M8.

Abra la llave de extremo abierto (a) en el hombro del husillo entre la brida del mandril y la brida interior. Coloque la llave del extremo cerrado (a) sobre la tuerca del mandril. Sosteniendo el eje del mandril en su lugar, afloje y retire la tuerca del mandril y la brida del mandril. Consulte la Figura 12. **NOTA:** Utilice solo cuchillas de 10 "(254 mm) de diámetro con orificios de eje de 5/8" (16 mm), con una capacidad nominal de 5,000 rpm o más, 0.10 "(2.6 mm) mín. ancho de la ranura y grosor máximo del cuerpo de 0.073 "(1.85 mm). Utilice solo cuchillas de 10 pulg. Diseñadas para cortar leña. Use solo un diámetro de hoja de sierra de acuerdo con las marcas en la sierra.

# MONTAJE

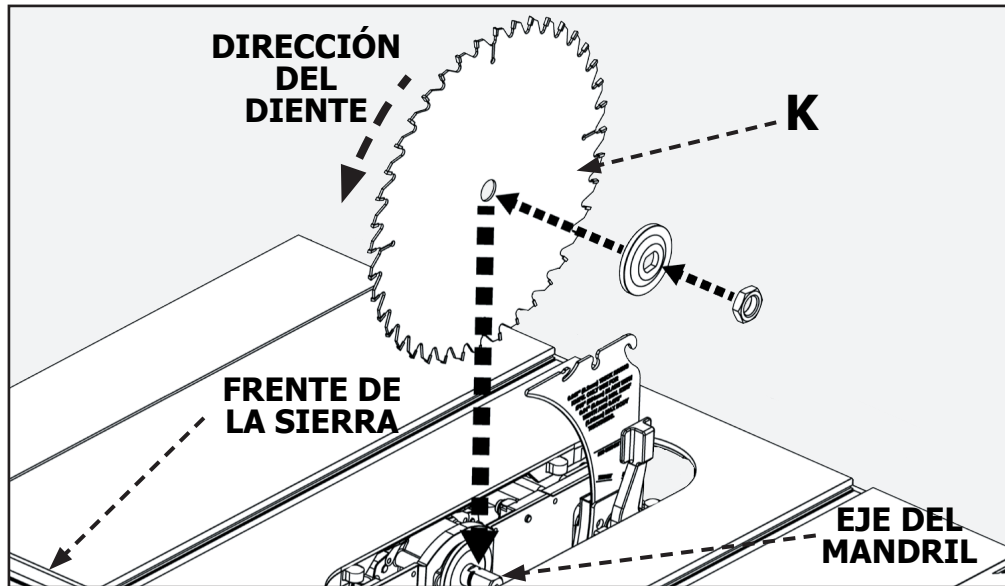


FIGURA 13

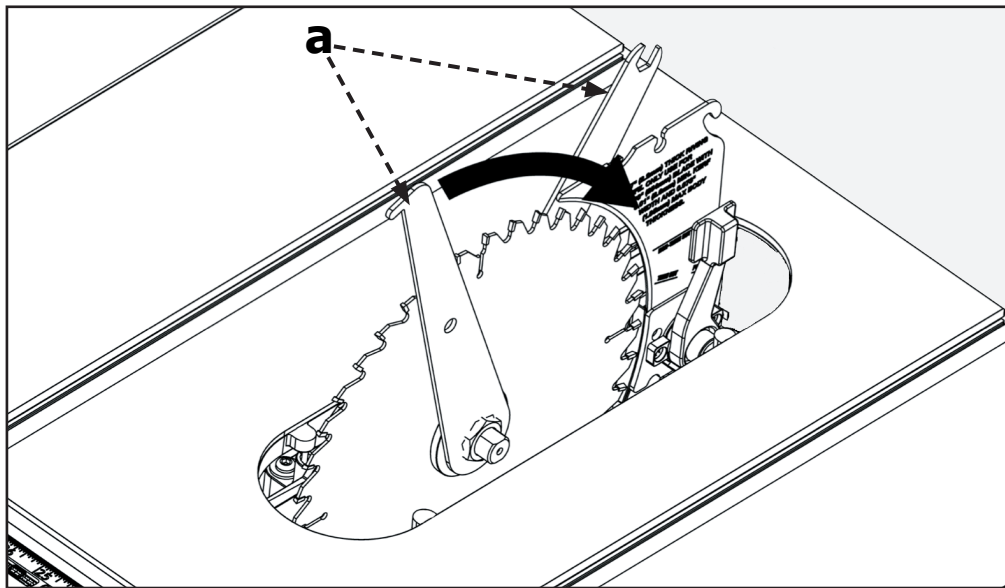


FIGURA 14

Coloque la hoja (K) en el eje con los dientes de la hoja apuntando hacia la parte frontal de la sierra. Coloque la arandela bridada en el eje con el lado grande de la arandela contra la hoja y, a continuación, fije con el conjunto de la hoja con la tuerca. (Figura 13)

Ajuste la tuerca con las llaves de la hoja (a). La llave de punta abierta podrá colocarse en el eje del mandril entre la arandela bridada interna y el conjunto del motor (si es necesario, gire el eje del mandril para alinear las partes planas en el eje del mandril con la llave). Una llave de punta cerrada podrá colocarse en la tuerca. Consulte la Figura 14.

Regrese las llaves (a) a la ubicación de almacenamiento integrado.

Coloque el separador en la posición de "corte pasante" antes de la instalación de la placa de garganta.

Los detalles para la colocación del separador están en la página 131, Sección de POSICIÓN Y ALINEACIÓN DEL SEPARADOR.

Consulte la Figura 15.

# MONTAJE

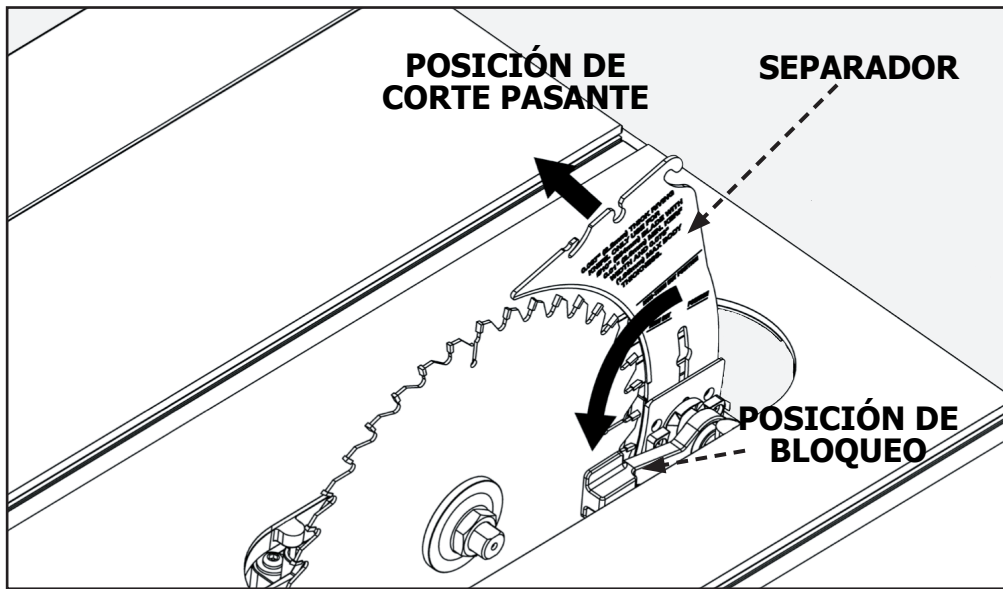


FIGURA 15

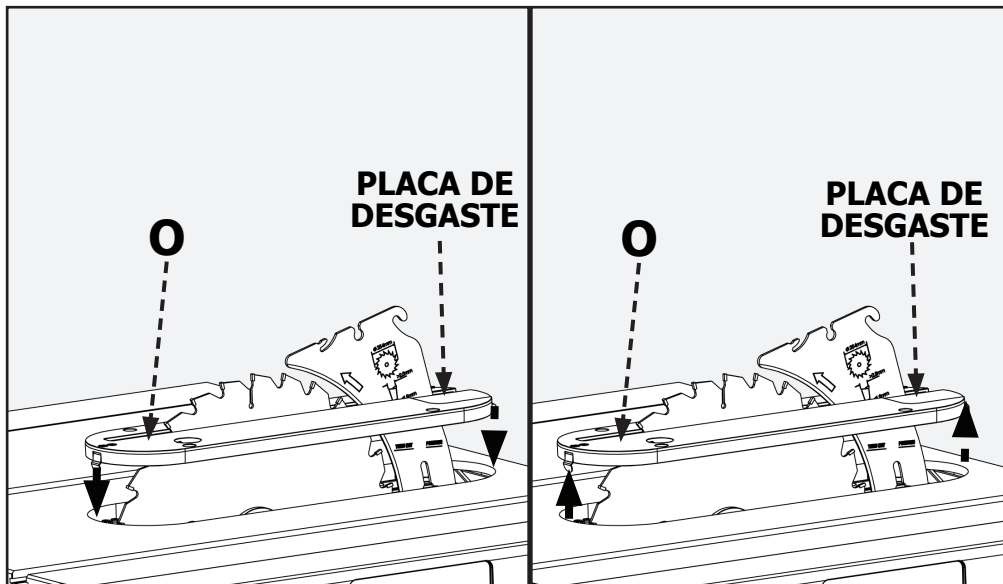


FIGURA 16

- Para reducir el riesgo de lesiones graves, el separador deberá instalarse para cada corte pasante y no pasante, a menos que el separador interfiera con el corte.
- La cuchilla separadora provista con la sierra de mesa debe ser más gruesa que el cuerpo de las hojas de sierra correspondientes provistas con la sierra de mesa, pero más delgada que el ancho de la hoja de sierra.
- utilice siempre una hoja con el espesor correcta para que coincida con el separador (ancho de corte mín. de 0,10" (2,6 mm) y espesor de estructura máx. de 0,073" (1,85 mm)).
- el separador deberá estar colocado de forma segura en la posición "arriba" o "corte pasante" al utilizar los trinquetes de prevención de contragolpes y la protección de la hoja.
- asegúrese de que el separador esté alineado de forma correcta con la hoja. (Consulte Posición y Alineación del separador en la página 132).

## INSERTAR LA PLACA DE GARGANTA

Consulte la Figura 16.

Coloque la placa de garganta (O) en su lugar con la placa de desgaste en la parte posterior.

Coloque la pestaña posterior en la placa de garganta debajo de la mesa y presione el extremo delantero hacia abajo hasta que la pestaña delantera entre en su lugar en la mesa. Para retirar la placa de la garganta, baje la hoja por debajo de la mesa, luego deslice con cuidado la placa de la garganta desde la parte trasera de la mesa hacia la parte delantera, manteniendo la hoja centrada dentro de la ranura en la placa de la garganta.

# MONTAJE

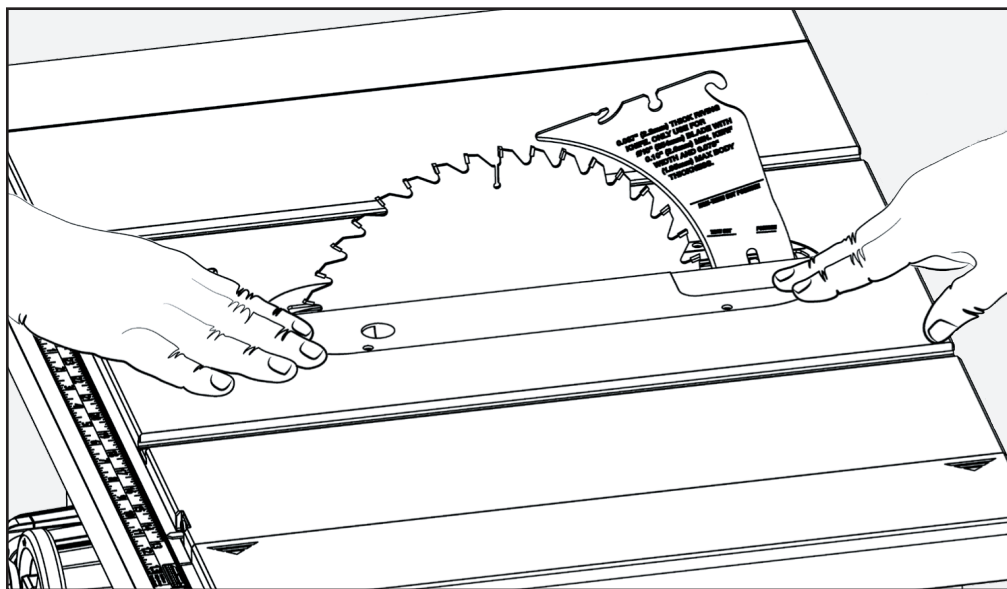


FIGURA 17

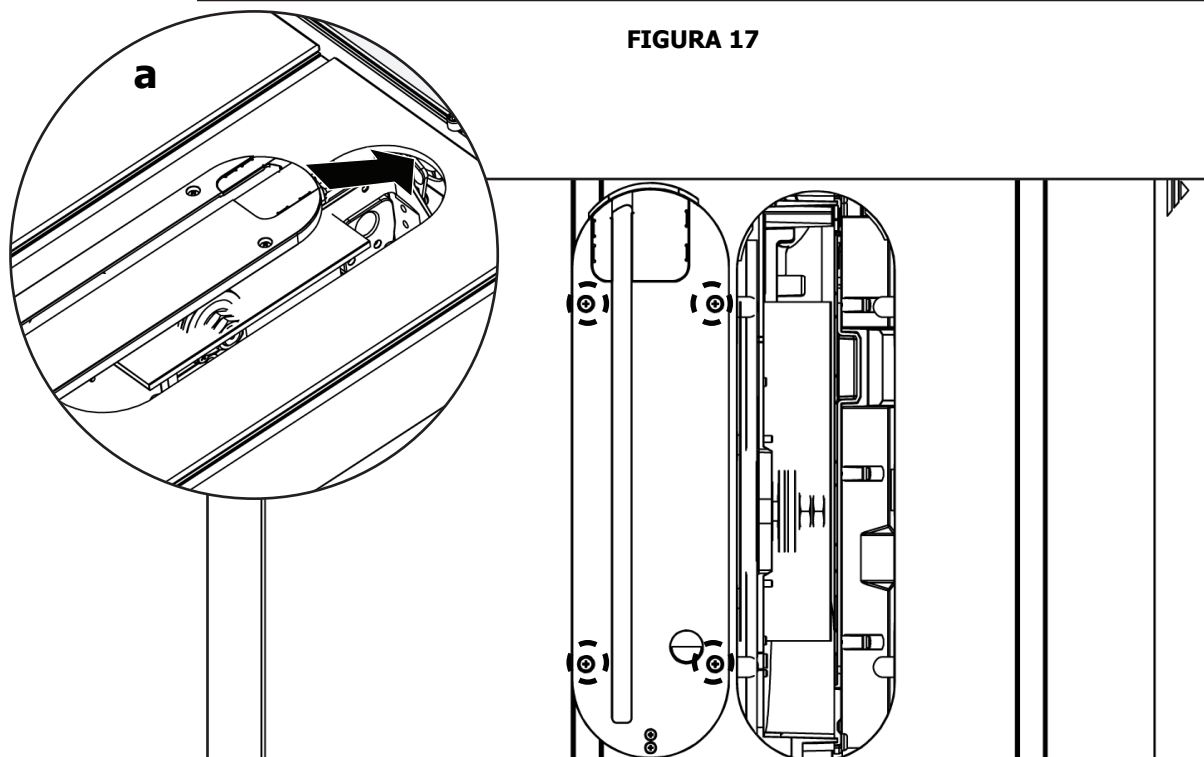


FIGURA 18

Nivele la placa de garganta con la parte superior de la mesa utilizando (4) tornillos de cabeza plana. Consulte las Figuras 17 y 18. Para obtener más detalles acerca de la nivelación de la placa de garganta, consulte la página 122.

**NOTA:** Existe un quinto tornillo de cabeza plana debajo de la placa de garganta que se ajusta para proporcionar apoyo debajo de la placa de desgaste. Ajuste este tornillo dado que precisamos brindar soporte.

**⚠ ADVERTENCIA** Para reducir el riesgo de lesiones graves, no intente asegurar la placa de garganta a la mesa usando los tornillos niveladores de la placa de garganta.

Para instalar la placa de aguja, deslice la pestaña en la ranura en la parte posterior de la sierra y empuje hacia abajo para asegurarla en su lugar.

**Nota:** La mesa tiene cuatro tornillos pre ensamblados (V) que se encuentran debajo de la placa-aguja y que pueden usarse para nivelarla en caso de ser necesario. Gire los tornillos en el sentido de las agujas del reloj para levantar la placa de garganta, en sentido contrario a las agujas del reloj para bajar. La placa debe ser uniforme o ligeramente por debajo de la superficie de la mesa. La placa no debe estar por encima o más de 1/4 de pulgada (0.7 MM) por debajo de la mesa en el lado de alimentación. La placa lateral de salida debe estar debajo o no más de 1/4 de pulgada (0.7 MM) por encima de la mesa.

# MONTAJE

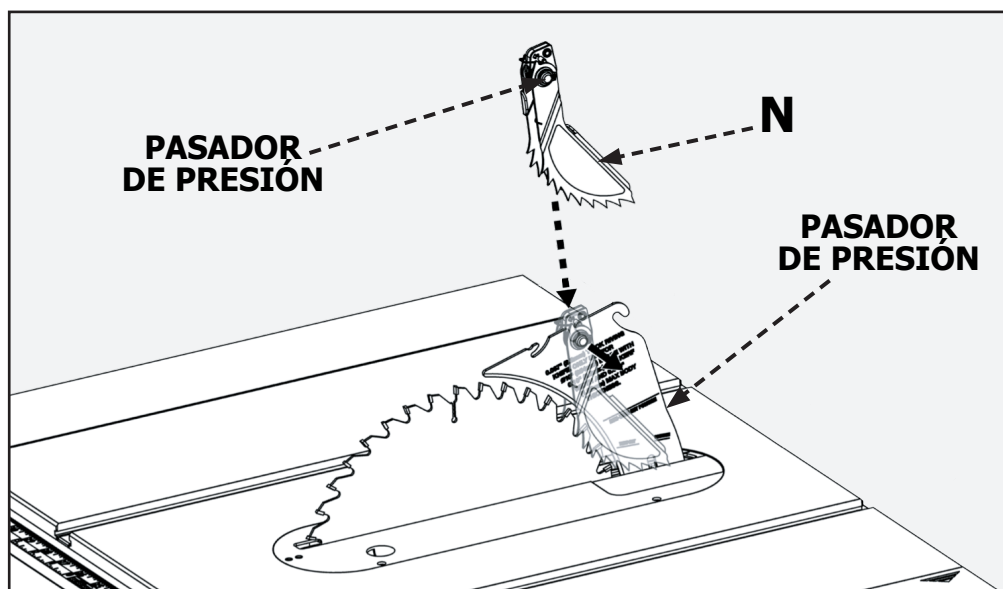


FIGURA 19

## TRINQUETES ANTI CONTRAGOLPE Y GUARDA PARA HOJA

### TRINQUETES ANTI CONTRAGOLPE

**⚠ ADVERTENCIA** Para reducir el riesgo de lesiones graves personales, los trinquetes anti contragolpe deben colocarse cuando se realiza un corte completo.

Para quitar los trinquetes anti contragolpe, empuje el vástago (B) y jale del ensamble de anti contragolpes para retirarlo del separador.

1. Consulte la Figura 19 y ubique la ranura de montaje de los trinquetes anti contragolpe (A) en medio del borde superior del separador.
2. Deslice la ranura situada en medio del ensamble de los trinquetes anti contragolpe por la parte superior del separador hasta que el vástago (B) encuentre la ranura central en el separador.
3. Empuje el vástago en el ensamble de trinquetes anti contragolpe (B) para dejar que el ensamble caiga dentro de la ranura. Empuje el ensamble de trinquetes anti contragolpe hacia abajo hasta escuchar un chasquido y que quede firme. Suelte el vástago. **NOTA:** Jale los trinquetes anti contragolpe hacia arriba para comprobar que estén correctamente sujetos.

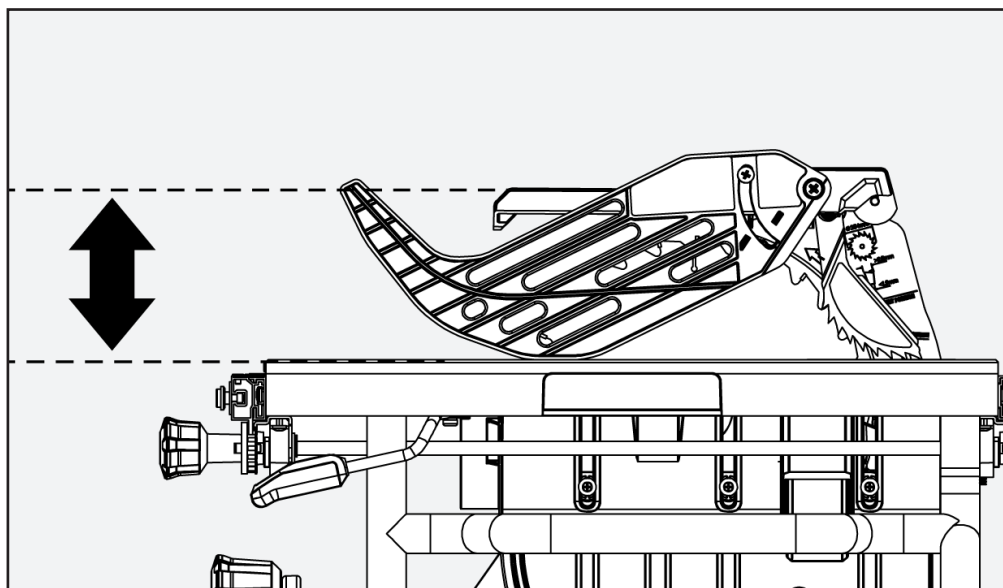


FIGURA 19B

Si el protector de la cuchilla no está paralelo a la mesa, la cuchilla separadora no está en posición levantada (corte transversal). Levante y baje cada lado del protector de la cuchilla para verificar el movimiento libre del sistema de protector. Asegúrese de que el sistema de protección pueda elevarse lo suficiente para despejar la pieza de trabajo. Nota: Se puede ajustar la alineación de la cuchilla con la cuchilla separadora. **Consulte:** Revisión y alineación de la cuchilla hueca y la hoja de sierra, página 131. Verifique que el protector de la hoja no tenga holguras ni movimiento libre.

# MONTAJE

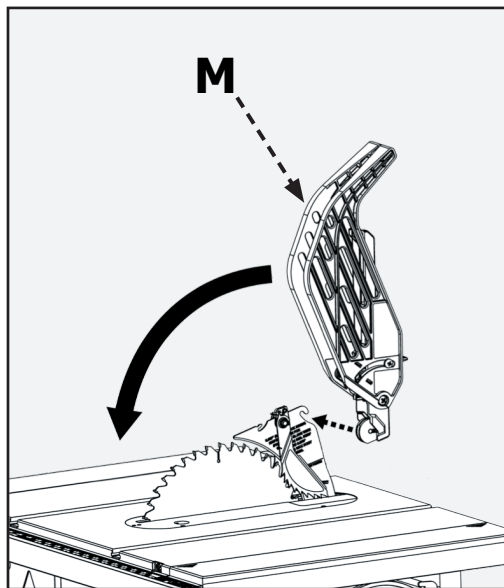


FIGURA 20

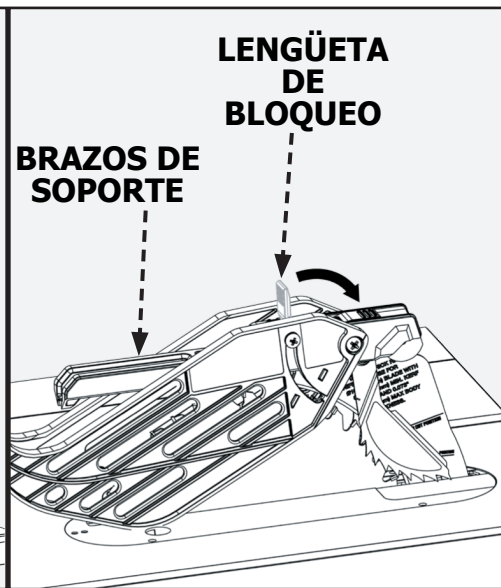


FIGURA 21

## GUARDA PARA HOJA

**⚠ ADVERTENCIA** Para reducir el riesgo de lesiones graves personales, la guarda para hoja debe colocarse cuando se realiza un corte completo.

1. Al tiempo que sostiene el ensamblaje de guarda para hoja (A) en posición vertical, enganche el pasador de posicionamiento (B) situado en la parte posterior del ensamblaje de guarda para hoja dentro de la ranura situada en el borde posterior del separador.
2. Gire el ensamblaje de guarda para hoja hacia la parte frontal de la sierra hasta que la parte metálica (C) del ensamblaje de guarda para hoja esté paralelo con la mesa como se muestra en la Figura 20.
3. Al tiempo que sujeta la parte frontal de la parte metálica de la guarda (C) presione la palanca de bloqueo de la guarda para hoja (D) hacia abajo hasta escuchar un chasquido para trabarla en su lugar. Verifique que la guarda esté enganchada al separador jalando de la misma. Si la guarda no está sujeta, la palanca de bloqueo de la guarda para hoja se levantará a la posición de desbloqueo..

**⚠ ADVERTENCIA** Si la parte metálica del ensamblaje de guarda para hoja (C) no está paralela a la mesa, el separador no está en la posición elevada. Retire el ensamblaje de guarda para hoja y los trinquetes anti contragolpe y suba el separador, luego vuelva a instalar los trinquetes anti contragolpe y el ensamblaje de guarda para hoja.

Para retirar el ensamblaje de la guarda para hoja:

1. Levante la palanca de bloqueo del ensamblaje de la guarda para hoja (D) a la posición de desbloqueo.
2. Gire la guarda hacia atrás y deslice el pasador (B) de la ranura del separador.

**NOTA:** Si el protector de la cuchilla no está paralelo a la mesa, la cuchilla de clavado no está levantada (a través del corte). Levante y baje cada lado de la protección de la cuchilla para verificar el movimiento libre del sistema de protección. Asegúrese de que el sistema de protección pueda elevarse lo suficiente para despejar la pieza de trabajo.

**NOTA:** Se puede ajustar la alineación de la hoja con la cuchilla separadora. Consulte: AJUSTES DE LA ALTURA DEL CUCHILLO RIVING, página 131. Verifique que el protector de la cuchilla no tenga holguras ni movimiento libre.

# MONTAJE

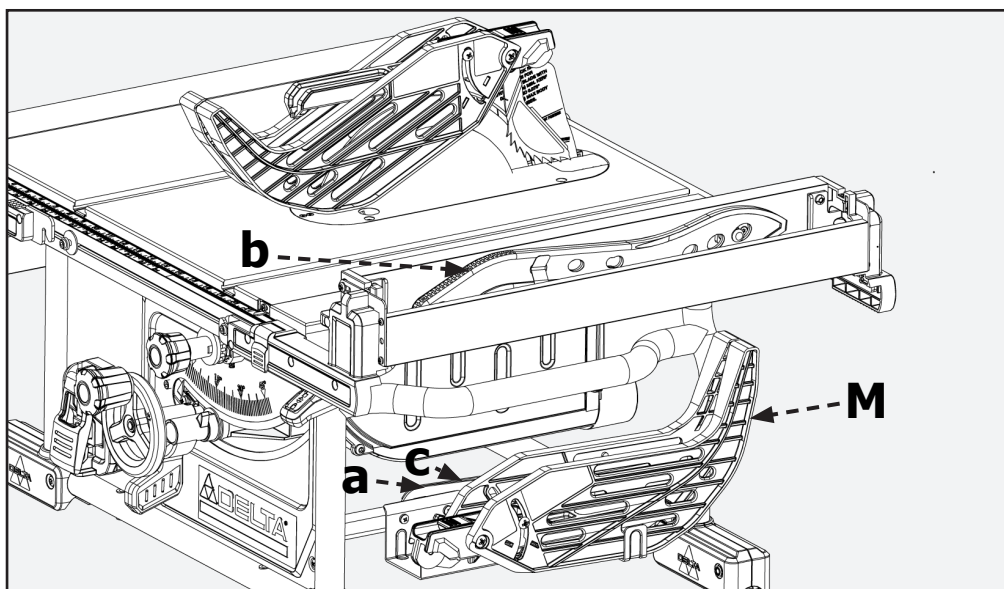


FIGURA 22

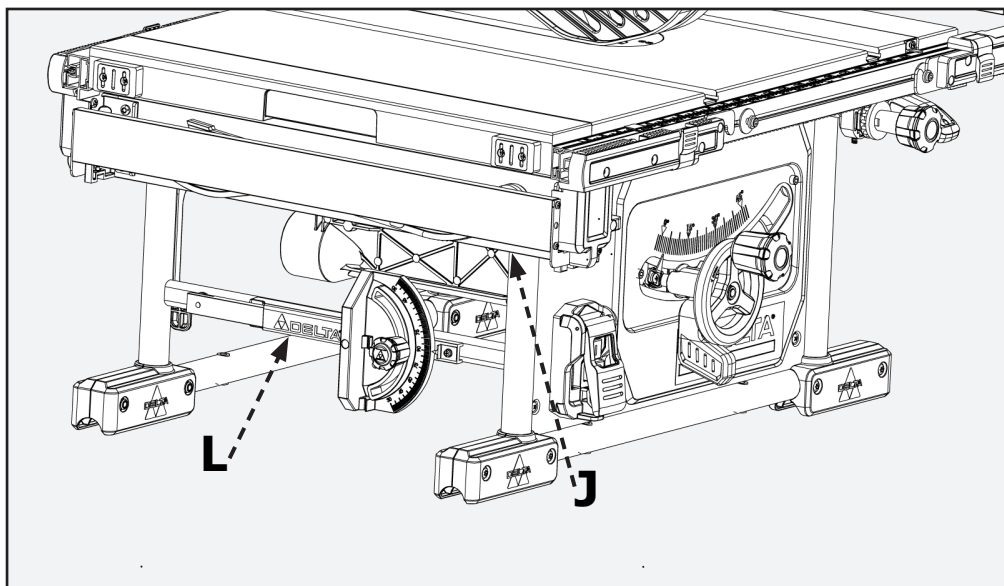


FIGURA 23

**NOTA:** Antes de colocar la guía de corte en la posición de almacenamiento debe quitar temporalmente la guía de ingletes de la posición de almacenamiento.

## ALMACENAMIENTO INCORPORADO

El almacenamiento se ubica en el panel izquierdo, panel derecho y lado posterior de la herramienta como se muestra en las Figuras 22 y 23.

- b. Varilla de empuje
- N. Conjunto de prevención de contragolpes
- a. Llaves
- M. Conjunto de protección de la hoja
- J. Guía tope
- L. Galga de inglete
- c. Almacenamiento de cuchillo de buceo



# FUNCIONAMIENTO

**⚠ ADVERTENCIA** No seguir estas reglas podría provocar lesiones personales graves..

**LEA TODO EL MANUAL.** Además de leer estas instrucciones de funcionamiento, es importante leer y entender todo el manual antes de operar esta sierra. Siga todas las instrucciones aplicables con respecto al montaje, preparación y ajuste antes de realizar cualquier corte y cumpla con todas las normas de seguridad y las advertencias en esta sección y en otras partes de todo este manual.

**1. Cada vez que use la sierra, repase la siguiente lista de verificación:**

- ¿Son adecuadas la fuente de alimentación y las conexiones a la fuente de alimentación para la sierra?
- ¿La sierra y el área de trabajo están libres de obstrucciones y curiosos?
- ¿Está la hoja apretada y correctamente alineada?
- ¿El grosor del separador coincide con la hoja?
- ¿La hoja y el separador están correctamente alineados?
- ¿El operario está calificado para realizar el corte y familiarizado con todas las reglas, advertencias e instrucciones de seguridad relevantes que se incluyen en este manual?
- ¿El operario y todas las personas que están cerca de la sierra están usando protección ocular, auditiva y equipo respiratorio adecuados?
- ¿El ángulo de bisel y las perillas de ajuste de altura están bloqueados en la posición correcta?
- ¿La hoja está situada en la altura adecuada?
- Si realiza un corte al hilo, ¿el tope guía para corte al hilo está paralelo con la hoja y enganchado firmemente en la posición?
- Si realiza un corte transversal, ¿está apretada la perilla de la galga de inglete?
- Si realizan cortes pasantes con una hoja estándar, ¿están la protección de la hoja, separador y trinquetes de prevención de contragolpes correctamente instalados y funcionando adecuadamente con ambas protecciones tocando la superficie de la mesa?
- ¿Existe espacio libre y soporte adecuados para la pieza de trabajo a medida que sale de la hoja?
- ¿Es necesario tener auxiliares de corte? Si es así, ¿están instalados o al alcance para su uso correcto?

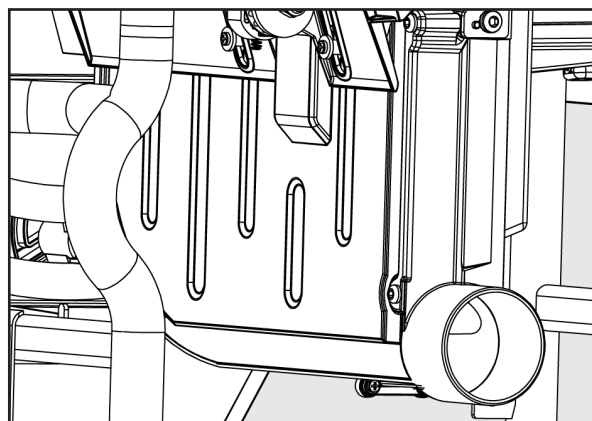
- 2. El uso de aditamentos y accesorios no recomendados por DELTA® Power Equipment Corporation podrían causar lesiones.**
- 3. Reemplace o afile los trinquetes de prevención de contragolpes cuando las puntas se desafilan.**
- 4. Asegúrese de que la sierra esté estable y puedan realizarse cortes sin volcar la sierra.**
- 5. Jamás use una guía tope y galga de inglete juntas sin usar un bloque de recorte como se describió anteriormente.**
- 6. La placa de garganta adecuada debe estar instalada en todo momento.**
- 7. Si la sierra produce un ruido desconocido o si vibra en exceso, deje de usarla inmediatamente hasta ubicar y corregir la fuente del problema.**
- 8. Nunca realice un corte a pulso, corte de penetración, reaserramiento o corte cóncavo.**

**EVITE LOS CONTRAGOLPES** Un contragolpe puede ocurrir cuando la pieza de trabajo presiona la hoja o se atasca entre la hoja de sierra y el tope guía u otro objeto fijo. Esto puede causar que la pieza de trabajo se eleve de la mesa o sea expulsada hacia el operario. Consulte las instrucciones para reducir el riesgo de contragolpes en la página 7 de este manual.

**SI OCURRE UN CONTRAGOLPE**, "APAGUE" la sierra y verifique la alineación de la hoja, el separador y la galga de inglete o el tope guía, y el funcionamiento adecuado del separador, conjunto de prevención de contragolpes y conjunto de la protección de la hoja antes de reanudar el trabajo.

## COLECTOR DE POLVO

Conecte una manguera de recolección de polvo o aspiradora de taller al puerto para polvo en la parte posterior de la sierra para obtener la mejor recolección de polvo.



**Ejemplo 1**

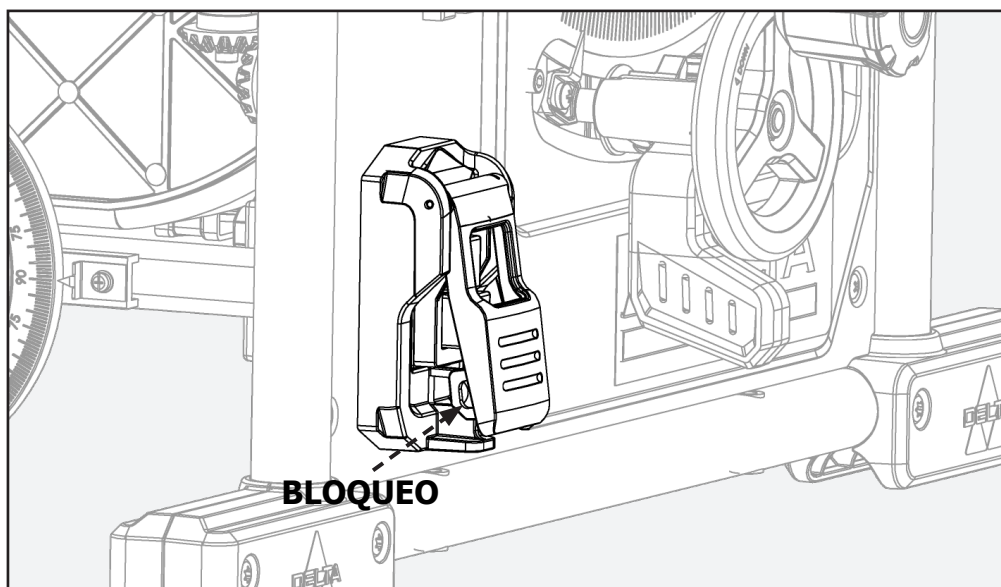


FIGURA 24

## ENCENDIDO Y APAGADO DE LA SIERRA

El interruptor ENCENDIDO/APAGADO está ubicado en la parte izquierda del panel frontal de la sierra. Para ENCENDER la sierra, levante el interruptor. Presione el interruptor hacia abajo para APAGAR la sierra. Cuando no esté en uso, la sierra deberá estar apagada y el interruptor de encendido/apagado deberá estar bloqueado a fin de evitar un uso no autorizado. Para bloquear el interruptor de encendido, utilice un cierre de grillete, con postes de grillete que no sean más largos de 9/32 pulgadas (7mm) de espesor.

Consulte la Figura 24.

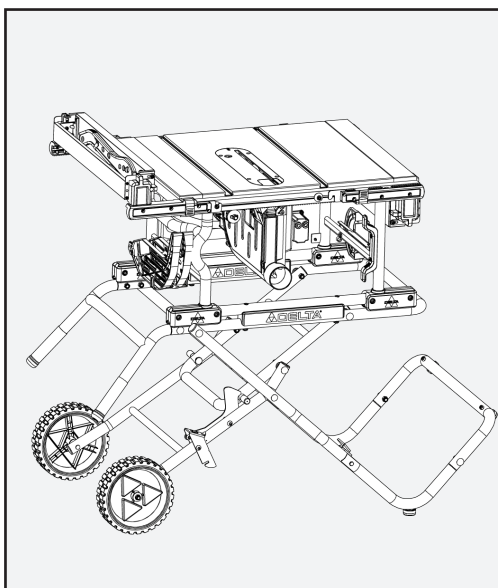


FIGURA 25

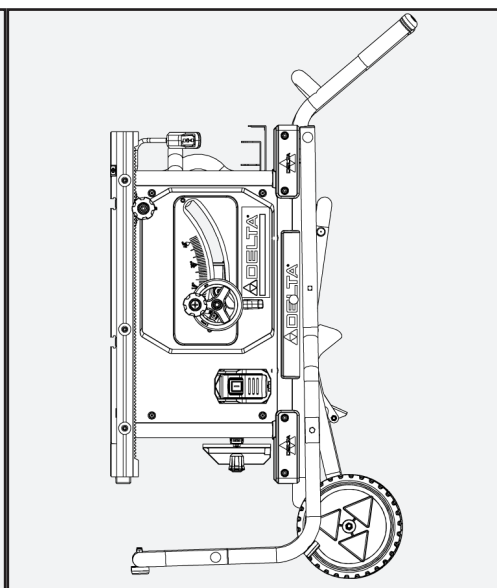


FIGURA 26

## TRANSPORTE DE LA SIERRA

Para doblar el soporte para moverlo, vuelva a colocar las mesas lateral y posterior en su lugar de extensión lateral de bloqueo de posición interna.

Guarde la guía lateral y la galga de inglete. Tomando la barra de manija, empuje el soporte, libere el pedal con el pie e incline hacia arriba y adelante hasta que la sierra descansa sobre las ruedas y pies de soporte.

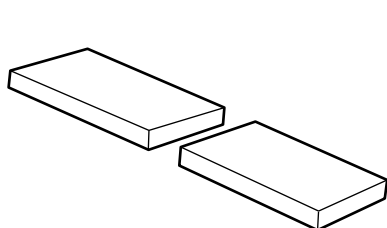
Consulte las Figuras 25 y 26. .

# CÓMO REALIZAR LOS CORTES

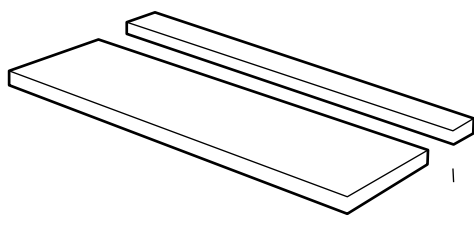
**⚠ ADVERTENCIA** No cumplir con las siguientes advertencias puede resultar en una lesión personal grave.

- Nunca toque el extremo suelto de la pieza de trabajo o una pieza suelta cortada, mientras la sierra esté encendida o la hoja de la sierra esté girando. Puede ocurrir un contacto o atasco con la hoja lo que a su vez provocará la expulsión de la pieza de trabajo.
- Al aserrar una pieza de trabajo o panel largo, use un apoyo para la pieza, tal como un caballete, rodillos o mesa de salida que estén a la misma altura que la superficie de la mesa de la sierra.
- Jamás intente retroceder la pieza de trabajo o levantarla de la mesa, apague la sierra, espere a que la hoja se detenga, eleve los dientes de prevención de contragolpes en cada lado del separador si es necesario y retire la pieza de trabajo.
- Antes de conectar la sierra de mesa a la fuente de alimentación o utilizarla, siempre inspeccione el conjunto de la protección de la hoja y el separador para verificar la alineación y el espacio libre con la hoja de sierra. Verifique la alineación después de cada cambio de ángulo de biselado.

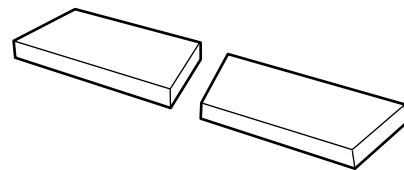
- SIEMPRE debe usar un tope guía para las operaciones de cortes al hilo a fin de evitar perder el control y lesiones personales. Siempre enganche la guía al riel. NUNCA realice una operación de corte al hilo a pulso.
- Cuando realice cortes biselados, coloque la guía en el lado derecho de la hoja de modo que esta se incline en dirección contraria a la guía y las manos. Mantenga las manos alejadas de la hoja y utilice una varilla de empuje para empujar la pieza de trabajo a menos que esta sea suficientemente grande para permitir sujetarla a más de 6 pulgadas (152 mm) de distancia de la mesa.
- Antes de dejar la sierra desatendida, bloquee el interruptor de encendido/apagado o tome otras medidas adecuadas para evitar el uso no autorizado de la sierra.



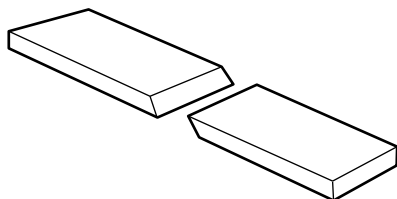
**Corte transversal**



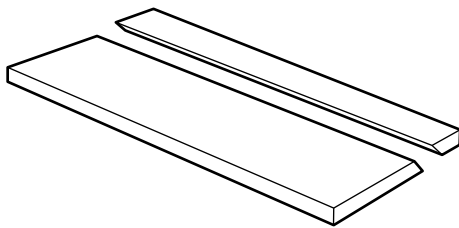
**Corte al hilo**



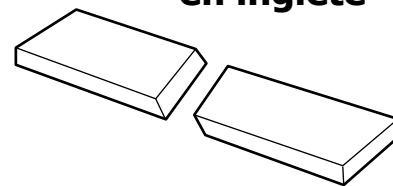
**Corte transversal en inglete**



**Corte transversal biselado**



**Corte al hilo biselado**



**Corte en inglete compuesto**

# CÓMO REALIZAR LOS CORTES

## CORTES AL HILO

- Corte al hilo: el corte al corte se realiza predominantemente en dirección paralela con el grano de la madera.
  - Asegúrese de que la hoja esté paralela a la ranura del calibrador de ingletes antes de cortar. Instrucciones de ajuste en la página 119.
1. Extraiga el medidor de inglete.
  2. Asegúrese de que el ángulo de biselado esté posicionado en  $0^\circ$ .
  3. Ajuste la hoja a la altura correcta para la pieza de trabajo.
  4. Instale el tope guía y engánchelo paralelo con la hoja y a la distancia deseada de la misma.
  5. Mantenga los dedos al menos a 6 pulgadas de distancia de la hoja en todo momento. Cuando la mano no pueda colocarse de manera segura entre la hoja y el tope guía, seleccione una pieza de trabajo más grande o utilice una varilla de empuje y otros auxiliares de corte, según sea necesario, para controlar la pieza de trabajo.
  6. Asegúrese de que la pieza de trabajo esté retirada de la hoja (al menos 1 pulgada o 25 mm de distancia) antes de encender la sierra.
  7. Encienda la sierra.
  8. Sujete la pieza de trabajo horizontalmente sobre la mesa y contra la guía (A). La pieza de trabajo debe tener un borde recto contra la guía y no debe estar deforme, torcida ni doblada. Puede observar la posición correcta de las manos en la Figura 27
  9. Espere a que la hoja alcance la velocidad completa antes de mover la pieza de trabajo hacia la hoja.
  10. Ambas manos pueden usarse al iniciar el corte siempre que estas permanezcan a 6 pulgadas de distancia de la hoja.
  11. Mantenga la pieza de trabajo contra la mesa y guía y empújela lentamente hacia atrás pasando por la hoja

de la sierra hasta el final. No sobrecargue el motor forzando la pieza de trabajo contra la hoja.

12. Utilice la varilla de empuje y cualquier otro auxiliar de corte, según sea necesario, para sujetar la pieza de trabajo contra la mesa y la guía, y empuje la pieza de trabajo hasta que pase por la hoja. Una varilla de empuje se incluye con esta sierra. Además, se incluyen instrucciones para fabricar varillas de empuje adicionales y otros auxiliares de corte.
13. No empuje ni sujete el lado suelto o cortado de la pieza de trabajo.
14. Continúe empujando la pieza de trabajo hasta que esté retirada de la hoja. No sobrecargue el motor forzando la pieza de trabajo contra la hoja.
15. Cuando termine el corte, apague la sierra. Espere a que la hoja se detenga por completo antes de extraer la pieza de trabajo de la mesa.

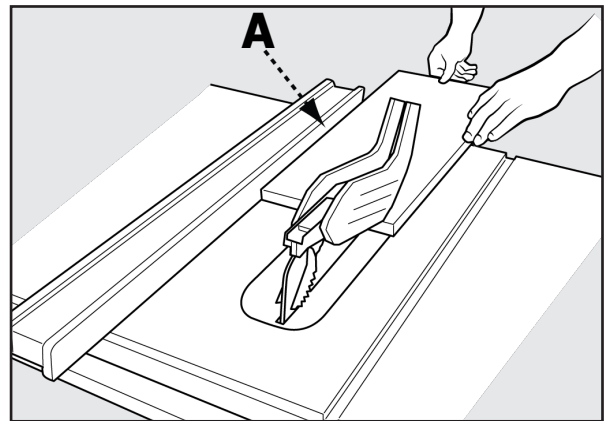


FIGURA 27

## CORTE AL HILO BISELADO

Cortar al hilo biselado es igual al corte al hilo excepto que el ángulo de biselado (A) se ajusta a un ángulo excepto  $0^\circ$ . Cuando realice un corte al hilo biselado, coloque la guía en el lado derecho de la hoja de modo que esta se incline en dirección contraria a la guía y las manos.

Consulte la Figura 28.

- **NO** intente cortes a inglete compuestos, con la hoja en bisel y el tope de ingletes en ángulo, hasta que esté bien familiarizado con los cortes básicos y entienda cómo se evitan los retrocesos.
- Evite los cortes de corte biselado con la mayoría del material en el lado izquierdo de la cuchilla.

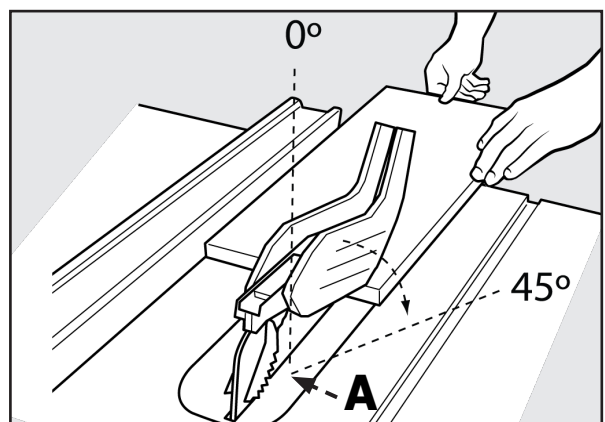


FIGURA 28

# CÓMO REALIZAR LOS CORTES

## CORTE TRANSVERSAL

- Corte transversal: el corte transversal se realiza predominantemente en dirección perpendicular con el grano de la madera.
- Asegúrese de que la hoja esté paralela a la ranura del calibrador de ingletes antes de cortar. Instrucciones de ajuste en la página 119.

**⚠ ADVERTENCIA** NUNCA use el tope guía como una guía o tope de largo al realizar un corte transversal.

- La pieza cortada nunca debe confinarse en ninguna operación de corte pasante (cortar por completo la pieza de trabajo) para evitar pinchar la hoja, lo que puede resultar en la expulsión de la pieza de trabajo y posibles lesiones.
- Al usar un bloque como un calibre de corte, el bloque debe medir al menos 3/4 pulgada (19 mm) de grosor. Es muy importante que el extremo posterior del bloque se fije en una posición donde la pieza de trabajo esté alejada del bloque antes de entrar a la hoja para evitar atascar la pieza de trabajo.

Puede utilizar el medidor de inglete en la ranura de la mesa en cortes sin biselado. Para aumentar el área de superficie de la cara del medidor de inglete, agregue una cara auxiliar (consulte la sección Auxiliares de corte en la página 119 de este manual).

Para realizar un corte transversal, consulte la Figura 29 y siga este proceso:

1. Extraiga el tope guía.
2. Asegúrese de que el ángulo de biselado esté posicionado en 0°.
3. Ajuste la hoja a la altura correcta para la pieza de trabajo.
4. Coloque el medidor de inglete en cualquiera de las ranuras de inglete.
5. Ajuste el medidor de inglete a 90° y apriete la perilla de bloqueo del medidor de inglete.
6. Las manos deben permanecer al menos 6 pulgadas

## CORTE TRANSVERSAL BISELADO

El corte transversal biselado es igual al corte transversal excepto que el ángulo de biselado (A) se ajusta a un ángulo distinto a 0°. Cuando realice un corte transversal biselado, coloque el medidor de inglete en la ranura de inglete derecha de modo que la hoja se incline lejos de la galga y las manos. Consulte la Figura 29.

## CORTES DE INGLETE

El corte transversal biselado es igual al corte transversal excepto que el ángulo de biselado (A) se ajusta a un ángulo distinto a 0°. Cuando realice un corte transversal biselado, coloque el medidor de inglete en la ranura de inglete derecha de modo que la hoja se incline lejos de la galga y las manos. Consulte la Figura 30.

**⚠ ADVERTENCIA**

- Los ángulos de inglete menores a 45° pueden forzar el conjunto de la protección de la hoja contra la hoja de la sierra, lo que provocaría daños al conjunto de la protección de la hoja y lesiones personales. Antes de arrancar el motor, pruebe el funcionamiento empujando la pieza de trabajo por el conjunto de la protección de la hoja. Si el conjunto de la protección de la hoja hace contacto con la hoja, antes de arrancar el motor, coloque la pieza de trabajo abajo del conjunto de la protección de la pero sin tocar la hoja.

de distancia de la hoja durante todo el corte. Si una pieza de trabajo es demasiado pequeña para mantener las manos al menos a 6 pulgadas de distancia de la hoja, seleccione una pieza de trabajo más grande o coloque una cara auxiliar al medidor de inglete y sujete la pieza de trabajo a la parte frontal del auxiliar. Para instrucciones sobre cómo hacer auxiliares, consulte la sección Auxiliares de corte en la página 119 de este manual.

7. Asegúrese de que la pieza de trabajo esté retirada de la hoja - al menos 1 pulgada o 25 mm de distancia - antes de encender la sierra.
8. Encienda la sierra.
9. Espere a que la hoja alcance la velocidad completa antes de mover la pieza de trabajo hacia la hoja.
10. La mano más cercana a la hoja debe colocarse en la perilla de bloqueo del medidor de inglete y la mano más alejada de la hoja debe sujetar la pieza de trabajo firmemente contra la parte frontal del medidor de inglete. No empuje ni sujete el lado suelto o cortado de la pieza de trabajo.
11. Lentamente empuje la pieza de trabajo pasándola por la hoja de sierra. No sobrecargue el motor forzando la pieza de trabajo contra la hoja.
12. Cuando termine el corte, apague la sierra. Espere a que la hoja se detenga por completo antes de extraer la pieza cortada de la mesa.

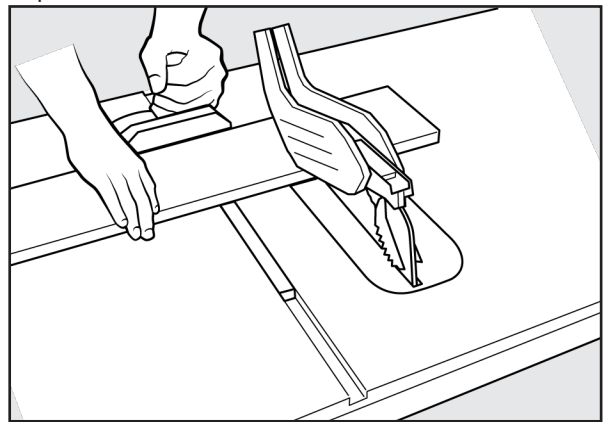


FIGURA 29

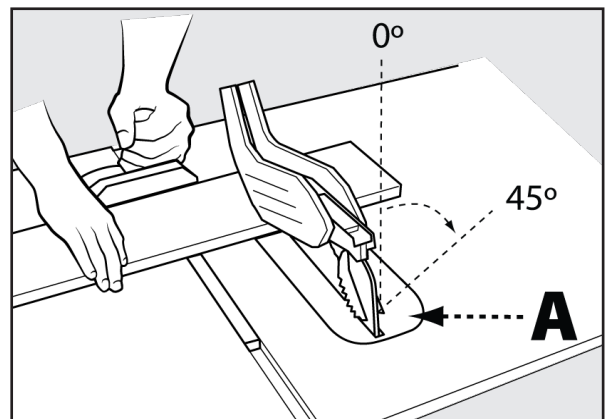


FIGURA 30

- Ciertas formas de piezas de trabajo, tales como molduras, pueden no levantar correctamente el conjunto de la protección de la hoja. Con la sierra apagada, empuje lentamente la pieza de trabajo hacia el área de la protección de la hoja hasta que la pieza de trabajo toque la hoja. Si el conjunto de la protección de la hoja hace contacto con la hoja, antes de arrancar el motor, coloque la pieza de trabajo abajo del conjunto de la protección de la - pero sin tocar la hoja -.

# CÓMO REALIZAR LOS CORTES

## CORTES EN INGLETE COMPUESTOS

Este es una combinación de corte transversal biselado e ingletes. Consulte la Figura 31 y siga las instrucciones para corte transversal biselado e ingletes. Recuerde usar la ranura de inglete derecho para todos los cortes biselados.

## CORTES DE PANEL LARGOS

Coloque los soportes de la pieza de trabajo a la misma altura que la mesa de sierra atrás de la sierra para apoyar la pieza de trabajo cortada y a lo largo de la sierra, si es necesario. Dependiendo de la forma del panel, use el tope guía o medidor de inglete para controlar la pieza de trabajo. Si una pieza de trabajo es demasiado grande para usar ya sea un tope guía o un medidor de inglete, es demasiado larga para esta sierra.

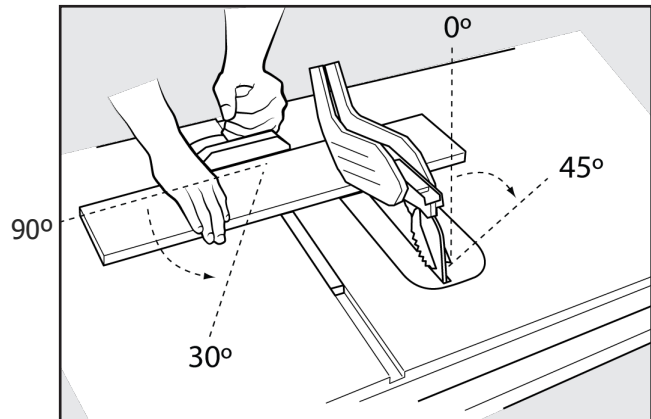


FIGURA 31

## CORTES NO PASANTES

El uso de un corte no pasante es esencial para cortar muescas, rebajos y ranuras. Los cortes no pasantes pueden realizarse usando una hoja estándar con un diámetro de 10 pulgadas. Los cortes no pasantes son el único tipo de corte que deben realizarse sin el conjunto de protección de la hoja instalado. Asegúrese de que el conjunto de la protección de la hoja se vuelva a instalar después de terminar este tipo de corte.

### ⚠ ADVERTENCIA

- Al realizar cortes no pasantes, siga todas las advertencias e instrucciones aplicables enumeradas a continuación además de las mencionadas anteriormente para el corte pasante pertinente.
- Cuando realice un corte no pasante, la pieza de trabajo cubre la hoja durante la mayoría del corte. Esté alerta a la hoja expuesta al inicio y fin de cada corte.
- Nunca empuje madera con las manos cuando realice cualquier corte no pasante, tales como rebajos o ranuras. Siempre use un medidor de inglete, bloques de empuje o varillas de empuje, y tablas de cuñas donde sea adecuado.

## REALIZACIÓN DE UN CORTE NO PASANTE

- Una vez que haya finalizado todos los cortes de mortajas y no pasantes, desenchufe la sierra y reinstale la cuchilla separadora en posición levantada. Instale los trinquetes anti retroceso y el protector de la hoja.

1. Desenchufe la sierra.
2. Desbloquee el bloqueo de bisel.
3. Ajuste el ángulo de biselado en 0°.
4. Boquee el bloqueo de bisel.
5. Extraiga la protección de la hoja y los trinquetes de prevención de contragolpes.
6. Coloque el separador en la posición "hacia abajo". (Consulte la sección AJUSTE DEL SEPARADOR en la página 132).
7. Ajuste la hoja a la profundidad correcta para la pieza de trabajo.

- Lea la sección correspondiente que describe el tipo de corte además de esta sección sobre los cortes no pasantes o de ranuras. Por ejemplo, si el corte no pasante es un corte transversal recto, lea y comprenda esta sección sobre cortes transversales rectos antes de continuar.
- Una vez realizados todos los cortes no pasantes, desenchufe la sierra y regrese el separador a la posición de corte pasante. Instale los trinquetes de prevención de contragolpes y la protección de la hoja.
- Siga con atención todas las instrucciones que acompañan a cualquier hoja especializada tal como hojas para ranurar y cortadores de moldura para la instalación, preparación y funcionamiento adecuados.

8. Dependiendo de la forma y tamaño de la madera, use el tope guía o medidor de inglete.
9. Enchufe la sierra a la fuente de alimentación y enciéndala.
10. Espere a que la hoja alcance la velocidad completa antes de mover la pieza de trabajo hacia la hoja.
11. Siempre utilice bloques de empuje, varillas de empuje y/o tablas de cuña al realizar cortes no pasantes para reducir el riesgo de lesiones graves.
12. Cuando se realice el corte, apague la sierra. Espere a que la hoja se detenga por completo antes de extraer la pieza de trabajo.
13. Cuando se complete el corte, vuelva a ajustar la cuchilla separadora a la posición que se detalla en la página 131.

# CÓMO REALIZAR LOS CORTES

## TALONAJE (EN PARALELO) DE LA HOJA Y LA RANURA DEL CALIBRE DE INGLETES

- La hoja (A) debe estar en paralelo con la ranura del calibre de ingletes para que la madera no se atasque y provoque un retroceso. El no hacer esto podría causar lesiones personales serias.
- Para reducir el riesgo de sufrir una lesión por un retroceso, alinee el tope-guía a la hoja (A) después de cualquier ajuste a la hoja.

**NO** afloje ninguno de los tornillos para este ajuste hasta que haya verificado la alineación con una escuadra para asegurarse de que se requiere realizar ajustes. Una vez que haya aflojado los tornillos, las piezas deben reajustarse.

**Nota:** Desenchufe la sierra. Retire el protector de la hoja y los trinquetes anti retroceso. Levante la hoja (A) girando la rueda para ajustar la altura.

1. Marque al lado de uno de los dientes de la hoja en la parte delantera de la hoja (A). Coloque una escuadra de combinación a nivel del frente de la mesa de la sierra y al lado de la hoja de la sierra (A) como se muestra.
2. Gire la hoja (A) para que el diente marcado quede atrás. Mueva la escuadra de combinación hacia la parte trasera y vuelva a medir la distancia. Si las distancias son las mismas, la hoja (A) está a 90°.

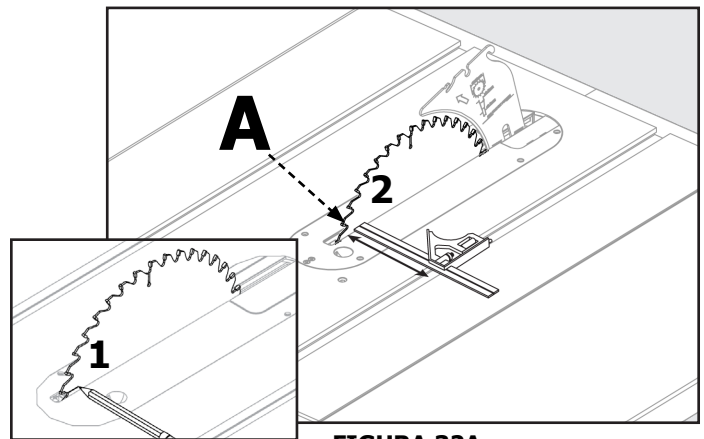


FIGURA 32A

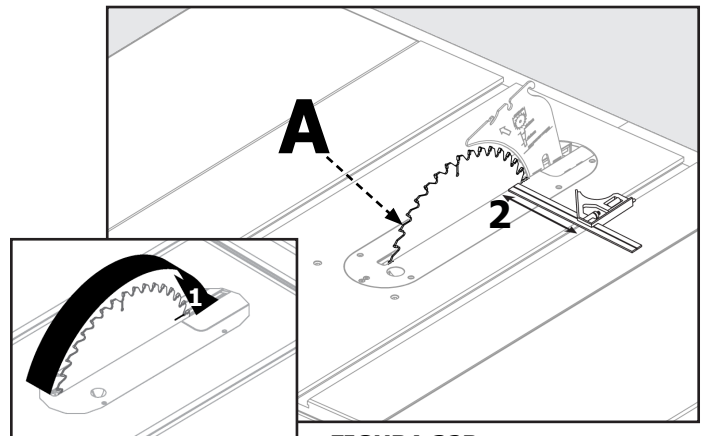


FIGURA 32B

## AUXILIARES Y ACCESORIOS DE CORTE

### VARILLA DE EMPUJE

Para poder utilizar la sierra de mesa de forma segura, debe usar una varilla de empuje cuando el tamaño o la forma de la pieza de trabajo ocasionaría que de alguna manera sus manos estén a 6 pulgadas (152 mm) de la hoja de la sierra u otro cortador. Se incluye una varilla de empuje con esta sierra.

No es necesario ningún tipo especial de madera para fabricar varillas de empuje adicionales siempre que estas sean macizas y suficientemente largas, sin nudos, imperfecciones o grietas. Se recomienda una longitud de 16 pulgadas (400 mm) con una muesca que se ajuste contra el borde de la pieza de trabajo para evitar que se resbale. Es una buena idea tener varias varillas de empuje de la misma longitud mínima, 16 pulgadas (400mm), con muescas de diferentes tamaños para diferentes grosores de piezas de trabajo.

La forma puede variar para adaptarse a sus propias necesidades siempre que realice la función prevista de mantener sus manos alejadas de la hoja. Inclinarse a un ángulo para que la varilla de empuje pueda sostenerse a un ángulo de 20 a 30 grados de la mesa de la sierra le ayudará a sostener la pieza de trabajo al tiempo que pasa por la sierra.

Para fabricar una varilla de empuje, consulte el diagrama que se muestra en la Fig. 33.

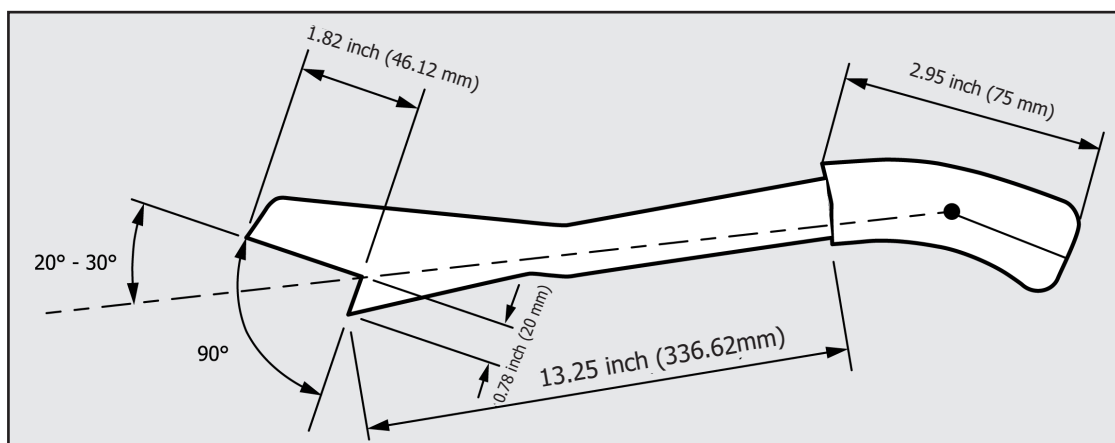


FIGURA 33

## REFRENTADO DEL MEDIDOR DE INGLETE AUXILIAR

Un refrentado del medidor de inglete auxiliar se utiliza para aumentar el área de superficie de la parte frontal del medidor de inglete. El uso del calibrador de ingletes con revestimiento auxiliar es el mismo que el del calibrador de ingletes original (sin revestimiento auxiliar). Vea la página 125 para el uso del calibrador de ingletes.

Si lo desea, puede ajustar el medidor de inglete con un refrentado de madera auxiliar que debe medir al menos 1 pulgada (25 mm) más de altura que la máxima profundidad del corte y al menos del mismo ancho que el medidor de inglete.

Este refrentado de madera auxiliar puede sujetarse a la parte frontal del medidor de inglete usando (2) tornillos de cabeza plana M6 o 1/4-20 o tuercas, colocando las tuercas en las ranuras proporcionadas en la parte frontal del cuerpo del medidor de inglete.

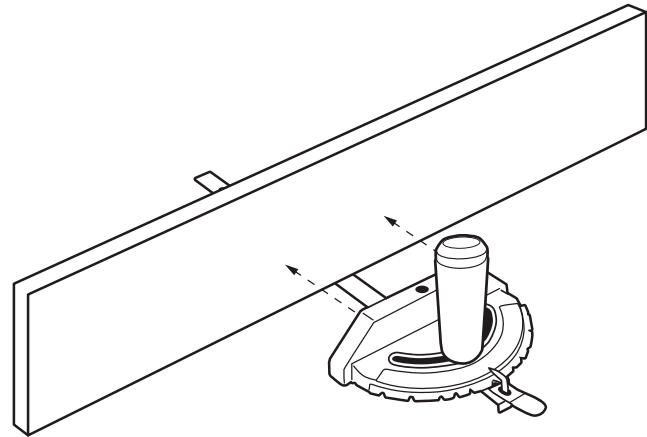


FIGURA 34

Consulte la Figura 34.

Asegúrese de que los tornillos sean suficientemente largos para asegurar el refrentado.

**⚠ ADVERTENCIA** La cabeza plana debe empotrarse en la parte frontal de la placa.

## BLOQUE DE EMPUJE

Los bloques de empuje son bloques que se usan para sostener con seguridad la pieza de trabajo contra la mesa. Incluyen alguna superficie de agarre o asa para sostener el bloque. Cualquier tornillo que pase por la parte inferior del bloque para sujetar la manija debe estar rebajado para evitar el contacto con la pieza de trabajo.

1. Seleccione un trozo de madera de aproximadamente 4 pulgadas de ancho, 6 pulgadas de largo y 1 a 2 pulgadas de grosor (un recorte de una tabla de 2 por 4 sirve como una buena base para un bloque de empuje).
2. Perfore un orificio en el bloque y pegue una espiga para usarla como agarradera (puede hacer el orificio en ángulo para que la sujeción de la agarradera sea más cómoda).
3. Pegue un trozo de material áspero o liso tal como una lija o caucho a la parte inferior del bloque para sujetar la pieza de trabajo (las almohadillas para mouse de computadora son adecuadas para esto).

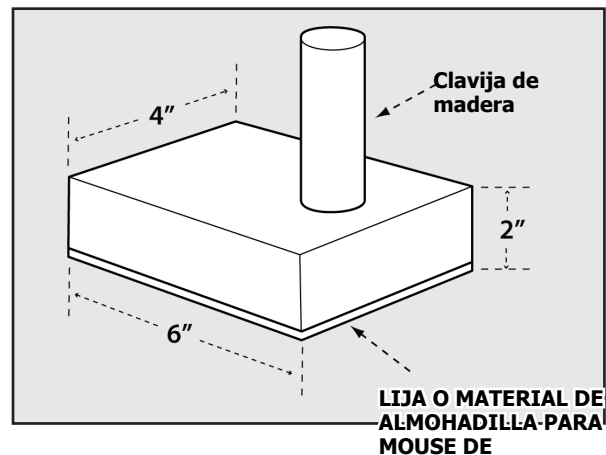


FIGURA 35 COMPUTADORA

Consulte la Figura 35.

## RANURADO Y RANURADO

Sujetar una tabla de plumas en la parte delantera de la cuchilla puede aumentar la seguridad durante los cortes que no atraviesan, como el ranurado y el rizado, y los cortes. Use un tablero de plumas para guiar la pieza de trabajo contra la mesa y la cerca cuando haga cortes que no sean de paso, como la encuadración. Un tablero de plumas ayuda a controlar el retroceso.



# AUXILIARES Y ACCESORIOS DE CORTE

## TABLAS DE CUÑA

Las tablas de cuña se usan para mantener el trabajo en contacto con la guía y la mesa (Fig. 36) y ayudan a evitar los contragolpes. Las tablas de cuña son especialmente útiles al cortar al hilo piezas de trabajo pequeñas y para completar los cortes no pasantes. El extremo está angulado con una serie de ranuras angostas que para ofrecer una sujeción de fricción en la pieza de trabajo, se engancha en la mesa o guía con una abrazadera en C.

**⚠ ADVERTENCIA** Para evitar atascos entre la pieza de trabajo y la hoja, asegúrese de que la tabla de cuña horizontal presione únicamente la parte sin cortar de la pieza de trabajo en la parte frontal de la hoja.

Las dimensiones para fabricar una tabla de cuña típica se muestran en la Fig. 36. Fabrique una tabla de cuña con un trozo de madera recto que no tenga nudos ni grietas. Sujete las tablas de cuña a la guía o a la mesa de modo que la tabla de cuña sujete la pieza de trabajo contra la guía o mesa. Sujetar una tabla de plumas frente a la cuchilla puede aumentar la seguridad en los cortes no atravesados.

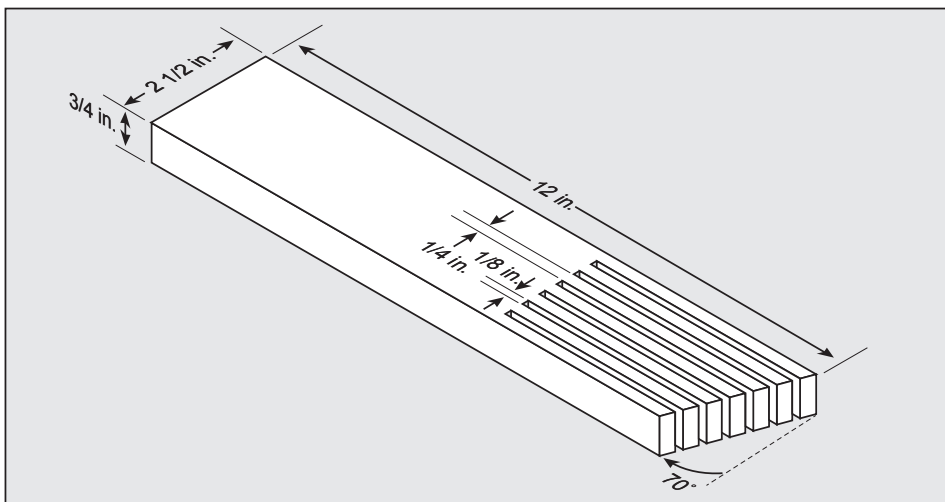


FIGURA 36

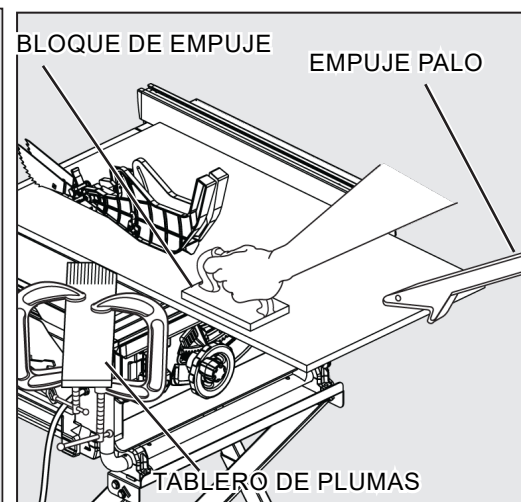


FIGURA 36A

## CALIBRE DE CORTE

Al realizar cortes transversales en varias piezas a la misma longitud, puede sujetar un bloque de madera (A) (consulte la Figura 37) a la guía y usarlo como un calibre de corte. El bloque (A) debe medir al menos 3/4 de pulgada (19 mm) de grosor para evitar que la pieza que está cortando se atasque entre la hoja y la guía. Después de determinar la longitud del corte, enganche la guía y utilice el medidor de inglete para empujar la pieza de trabajo hacia la hoja.

**⚠ PRECAUCIÓN:** Siempre posicione el calibre de corte en la parte frontal de la hoja de sierra.

## PLANTILLAS

Pueden crearse plantillas con una variedad de ajustes especiales para controlar formas particulares de piezas de trabajo para cortes especiales. Las instrucciones sobre cómo hacer plantillas especializadas pueden encontrarse en sitios web y publicaciones de ebanistería y carpintería.

1. Seleccione un trozo sólido de madera de aproximadamente 3/4 de pulgada de grosor, 2 1/2 pulgada de ancho y 12 pulgadas de largo.
2. Marque el ancho central en un extremo del material. Incline el ancho a 70° (consulte la sección de corte de inglete para información sobre los cortes de inglete).
3. Coloque el tope guía de modo que permita el corte de un "dedo" de aproximadamente 1/4 de pulgada en el material.
4. Empuje el material únicamente a la marca realizada anteriormente a 6 pulgadas.
5. Apague la sierra y espere a que la hoja se detenga por completo antes de retirar el material.
6. Vuelva a colocar el tope guía y realice los cortes espaciados en la pieza de trabajo para formar dedos de aproximadamente 1/4 de pulgada y espacios de 1/8 de pulgada entre ellos.

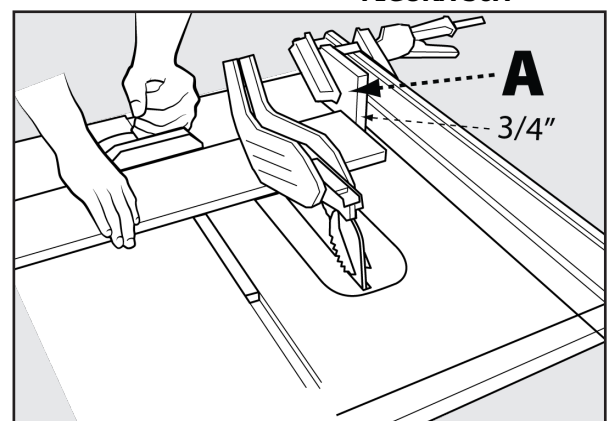


FIGURA 37

**⚠ PRECAUCIÓN:** No intente crear ni usar una plantilla a menos que esté completamente familiarizado con la seguridad de la sierra de mesa. No use ninguna plantilla que podría presionar un corte o atascar la pieza de trabajo entre la plantilla y la hoja. Los ajustes incorrectos pueden provocar contragolpes que podrían provocar lesiones graves.

# CÓMO REALIZAR AJUSTES

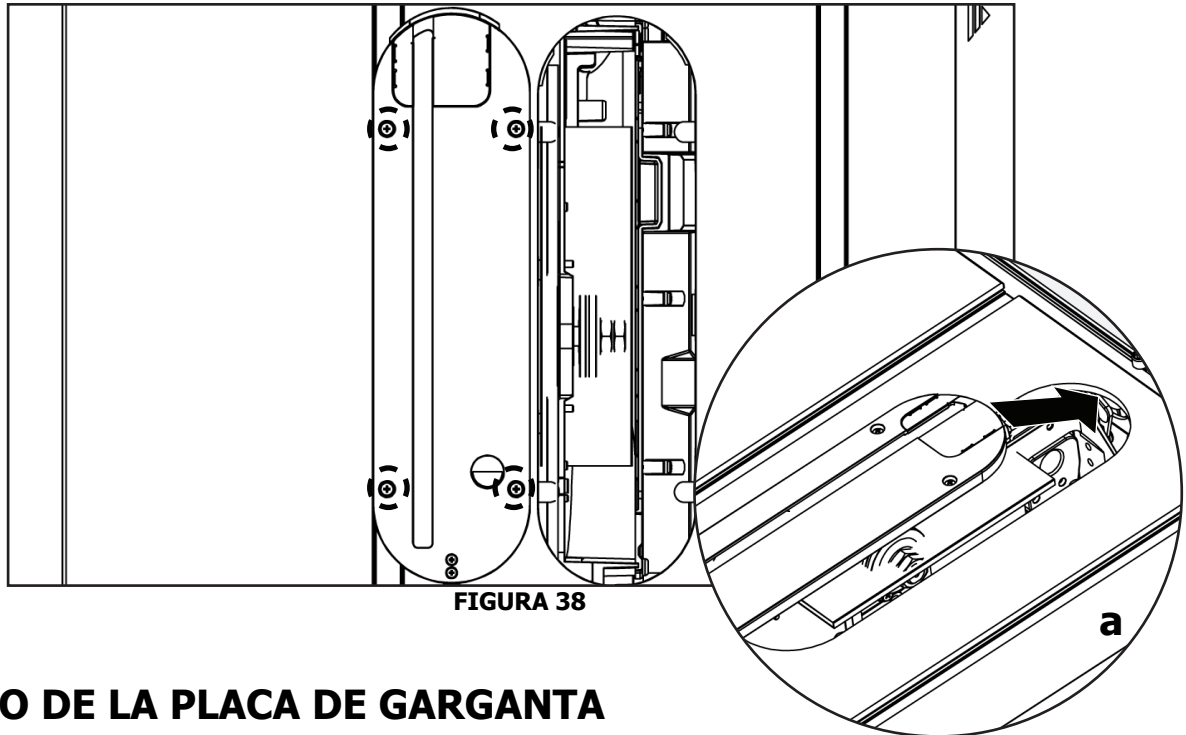


FIGURA 38

## NIVELADO DE LA PLACA DE GARGANTA

Para instalar la placa de aguja (Y), deslice la pestaña en la ranura en la parte posterior de la sierra y empuje hacia abajo para asegurarla en su lugar. Consulte las Figuras 38 y 38a.

**Nota:** La mesa tiene cuatro tornillos pre ensamblados (V) que se encuentran debajo de la placa-aguja y que pueden usarse para nivelarla en caso de ser necesario. Gire los tornillos en el sentido de las agujas del reloj para levantar la placa de garganta, en sentido contrario a las agujas del reloj para bajar. La placa debe ser uniforme o ligeramente por debajo de la superficie de la mesa. La placa no debe estar por encima o más de 1/4 de pulgada (0.7 MM) por debajo de la mesa en el lado de alimentación. La placa lateral de salida debe estar debajo o no más de 1/4 de pulgada (0.7 MM) por encima de la mesa.

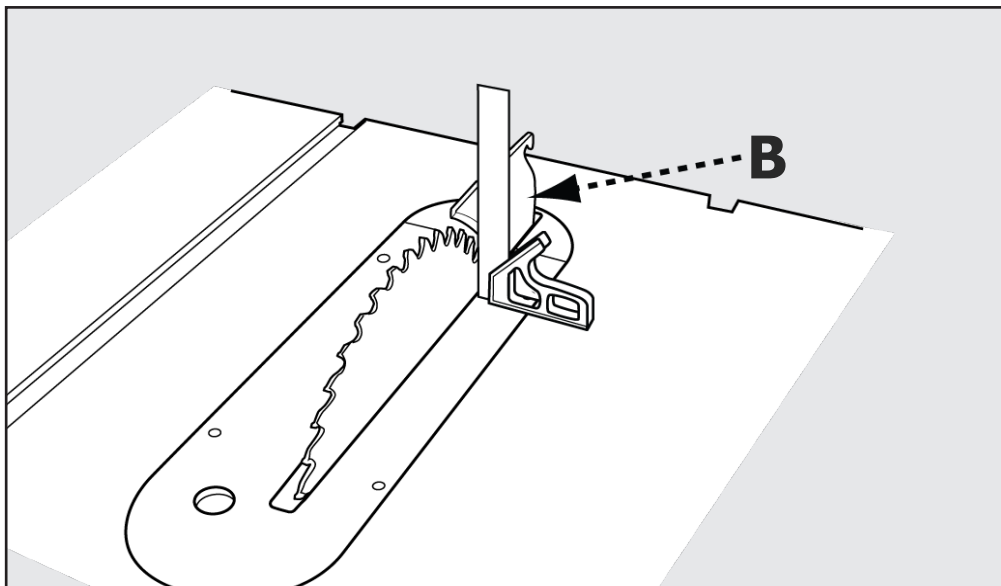


FIGURA 39

## CÓMO COLCAR LA HOJA EN POSICIÓN VERTICAL A LA MESA EN ESCUADRA

Coloque la escuadra (B) en la superficie de la mesa y contra la hoja y el separador. La escuadra deberá estar en contacto con la cara de la hoja y el separador. Consulte la Figura 39.

Si no está en escuadra, ajuste el tope a 0 grados como se muestra en "Ajuste de los toques del bisel" debajo.

Consulte las Figuras 38, 38a, 39 y 39a.

# CÓMO REALIZAR AJUSTES

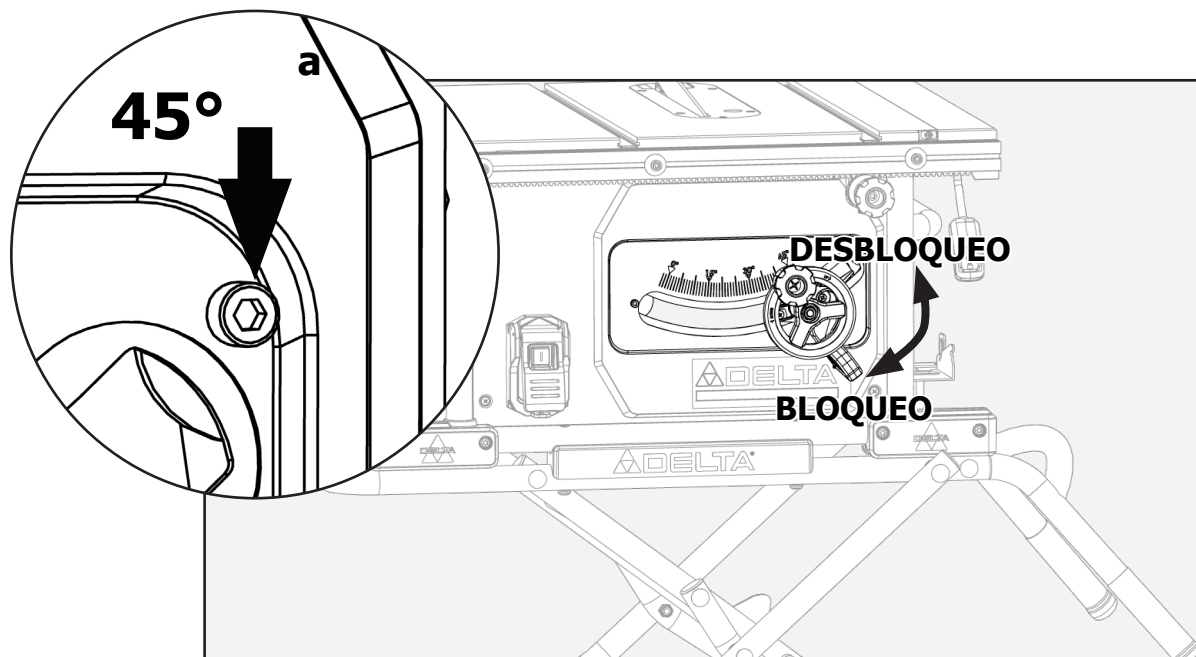


FIGURA 40

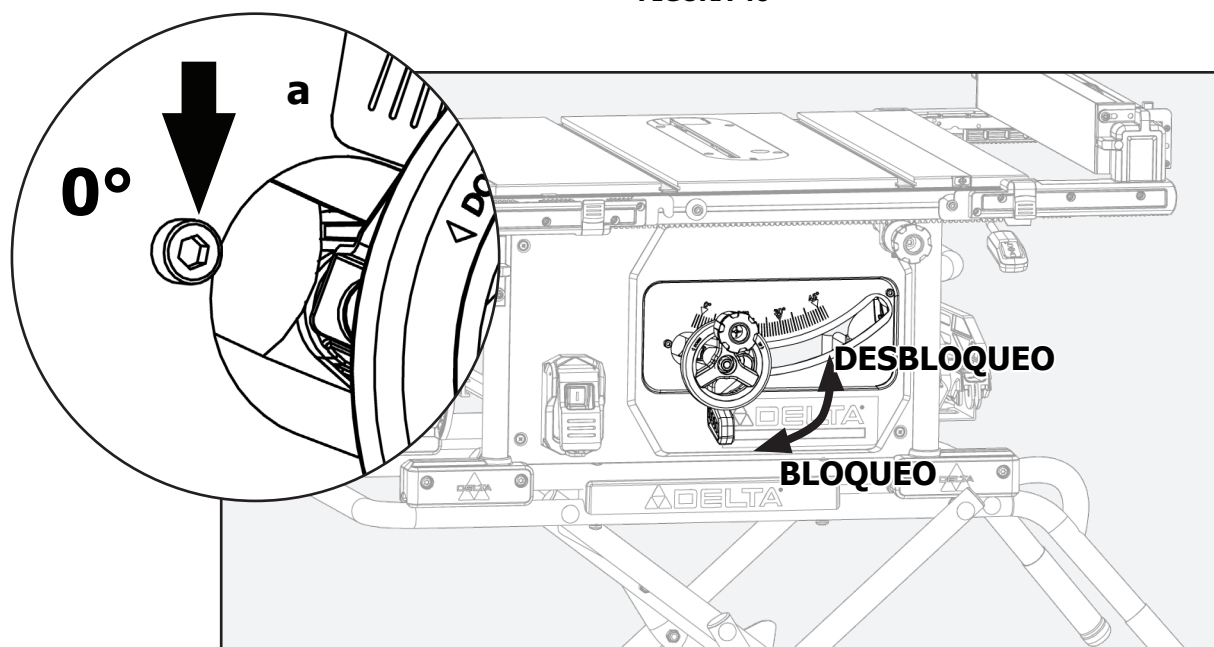


FIGURA 41

## AJUSTE DE LOS TOPES DE BISEL

Si la hoja no está en escuadra con la mesa, debe ajustar el tope positivo a 0 grados ubicado en el lado de la guía de bisel en el extremo izquierdo de la abertura de la guía de bisel como se muestra en las Figuras 40 y 40a.

Desbloquee la palanca de bloqueo de ajuste de bisel/altura y coloque la rueda de ajuste a la derecha para obtener acceso al tope positivo de 0°. Luego bloquee la palanca de ajuste.

Gire el tornillo de presión de tope positivo a 0 grados a la derecha o izquierda para ajustar la ubicación del tope. Desbloquee la rueda de ajuste, gire la hoja a la posición de 0 grados, asegúrese de que entre en contacto con el tope positivo, y vuelva a bloquear la rueda de ajuste en su lugar.

Vuelva a comprobar la posición de la hoja de acuerdo con la superficie de la mesa usando una escuadra (Consulte "CÓMO COLAR LA HOJA EN POSICIÓN VERTICAL A LA MESA EN ESCUADRA" EN ESTA PÁGINA). Continúe repitiendo los dos pasos previos hasta que la hoja esté en posición vertical a la mesa.

Puede usar este mismo procedimiento para comprobar el tope positivo a 45 grados, ubicado en el extremo más hacia la derecha de la guía de bisel máximo 45 °, dentro de la abertura de la guía de bisel como se muestra en las Figuras 41 y 41a.

# CÓMO REALIZAR AJUSTES

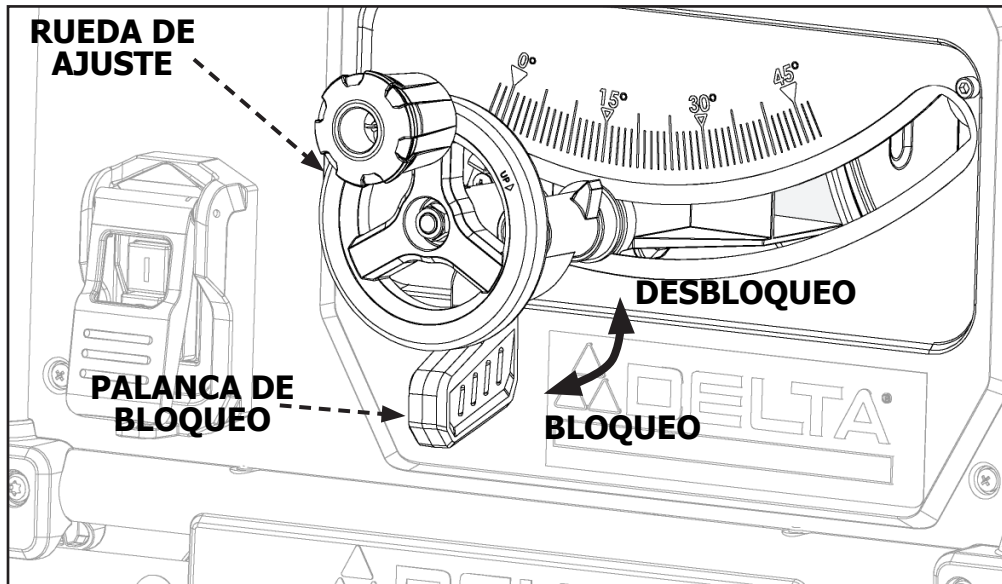


FIGURA 42

## AJUSTE DE LA ALTURA DE LA HOJA

Para todos los cortes no pasantes, la parte superior de los puntos de la hoja deben estar por encima de la pieza de trabajo y la parte inferior de las gargantas de la hoja deben estar por debajo de la superficie superior de la pieza de trabajo.

Para todos los cortes no pasantes, la parte superior de los puntos de la hoja deben estar ajustados en la profundidad del corte.

Para ajustar la altura de la hoja, consulte la Fig. 42 y realice lo siguiente:

Asegúrese de que la palanca de bloqueo de ajuste de bisel/altura se encuentre en la posición bloqueada.

Ajuste la altura de la hoja girando la rueda de ajuste de bisel/altura. Hacia la derecha se levantará la hoja y hacia la izquierda se la bajará.

## CAMBIO DEL BISEL

Desbloquee la palanca de bloqueo de ajuste de bisel/altura llevándola a la posición de desbloqueo.

Sujetando la rueda/perilla, deslice el indicador de bisel hacia el ángulo deseado.

Cuando la hoja se encuentra en el ángulo deseado, bloquee la palanca de ajuste de bloqueo de bisel/altura empujándola hacia abajo a la posición de bloqueo.

Consulte la Figura 42.

# CÓMO REALIZAR AJUSTES

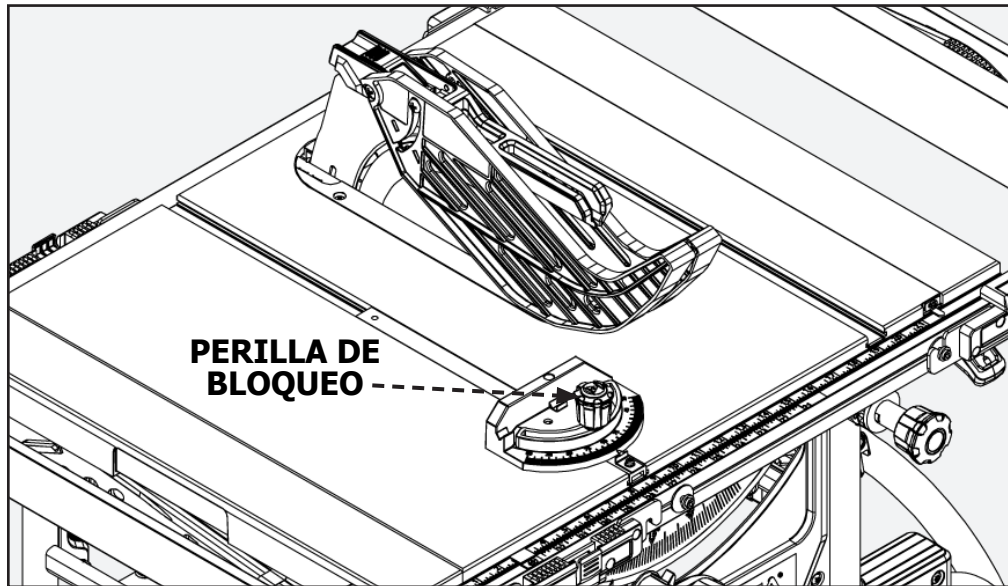


FIGURA 43

## USO DE LA GALGA DE INGLETE

Hay dos ranuras para la galga de inglete. Una a cada lado de la hoja, máximo 30 °. Cuando realice un corte transversal de 90°, utilice cualquiera de las ranuras. Para un corte transversal biselado, utilice la ranura de la derecha de forma tal que la hoja quede inclinada alejada de la galga de inglete y las manos.

Afloje la perilla de bloqueo de la galga de inglete. Gire la galga hasta que se alcance el ángulo deseado en la escala.

Vuelva a ajustar la perilla de bloqueo.

Consulte la Figura 43

# CÓMO REALIZAR AJUSTES

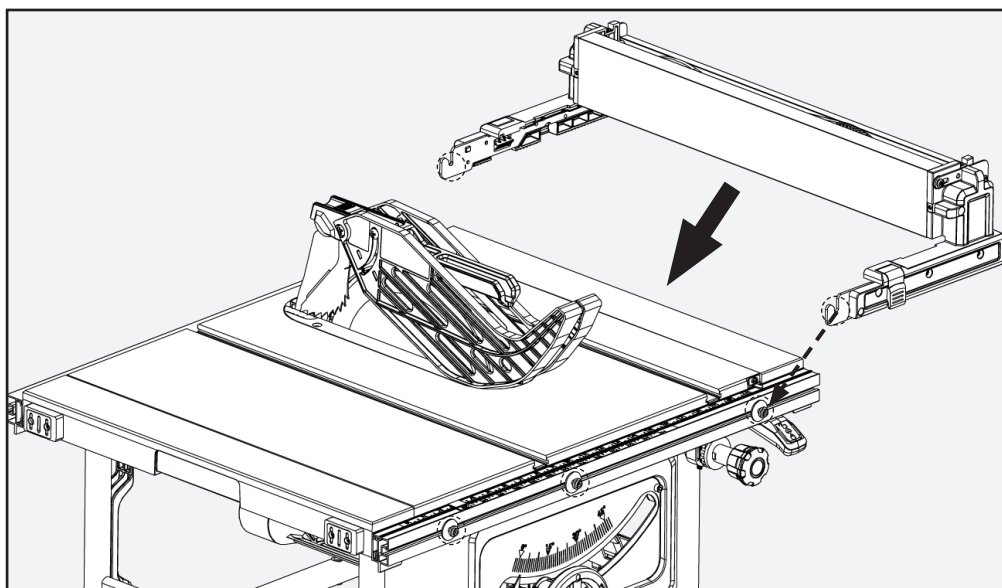


FIGURA 44

## Instalando la valla

La cerca se puede colocar en el lado izquierdo y derecho de la mesa.

- Incline la valla en un ligero ángulo.
- Inserte la muesca en ambos lados del sistema de la cerca en las pestañas correspondientes del sistema de rieles.
- Baje la cerca hasta que encaje en su lugar.

Vea la Figura 44.

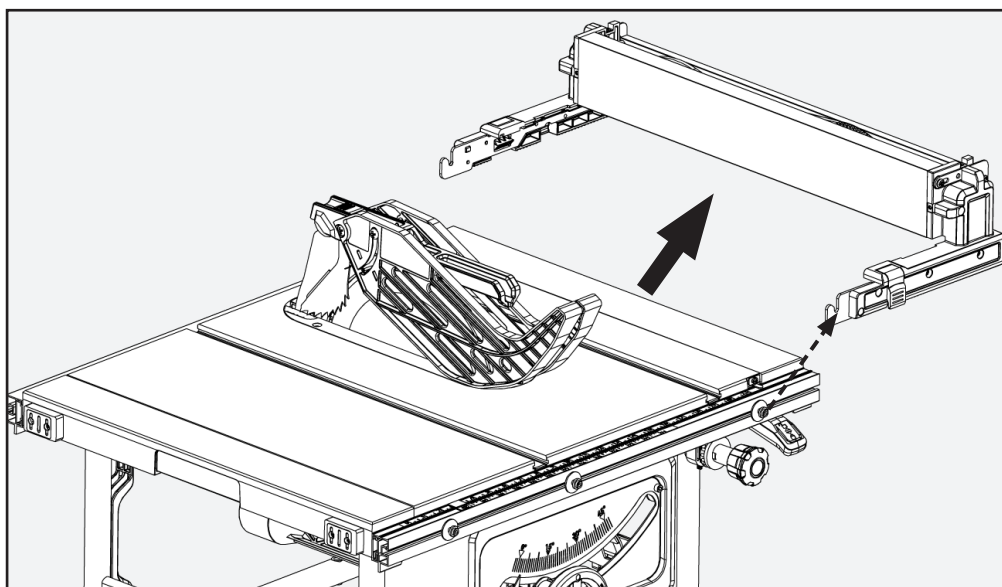


FIGURA 45

## Quitando la valla

- Levante las pestañas azules de la cerca.
- Coloca la cerca en un ángulo ligero.
- Retire la muesca del sistema de la guía de las lengüetas del riel.

Ver Figura 45.

# CÓMO REALIZAR AJUSTES

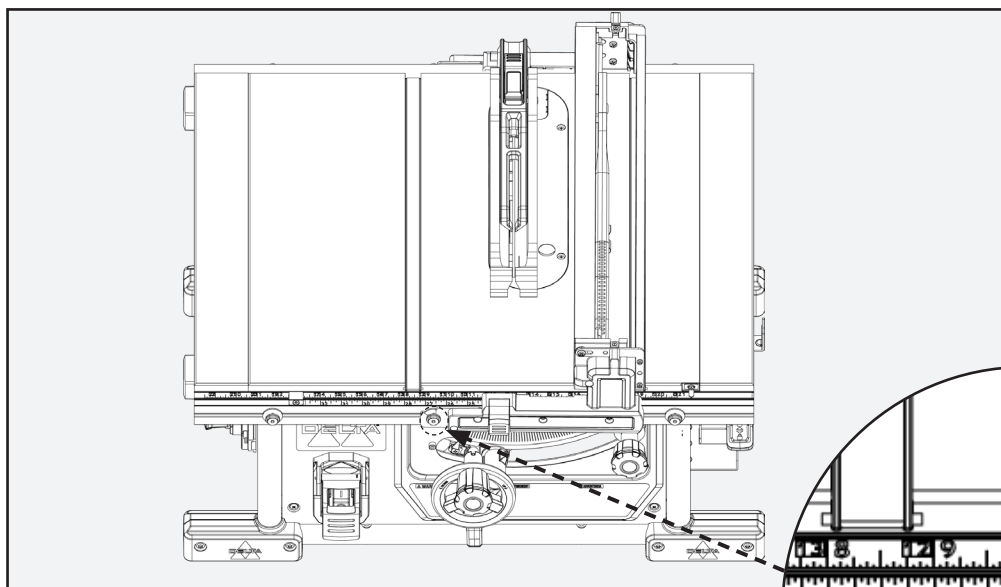


FIGURA 46

## Pestaña negra

La escala negra corresponde con las pestañas negras.

- La lengüeta negra en el medio del riel se puede usar para corte recto de 0 a 21 pulgadas.
- Para usar la escala negra, inserte las muescas de la guía en las pestañas negras del riel.
- Cuando la cerca se inserta en las pestañas negras, lea la escala negra.

Ver Figura 46.

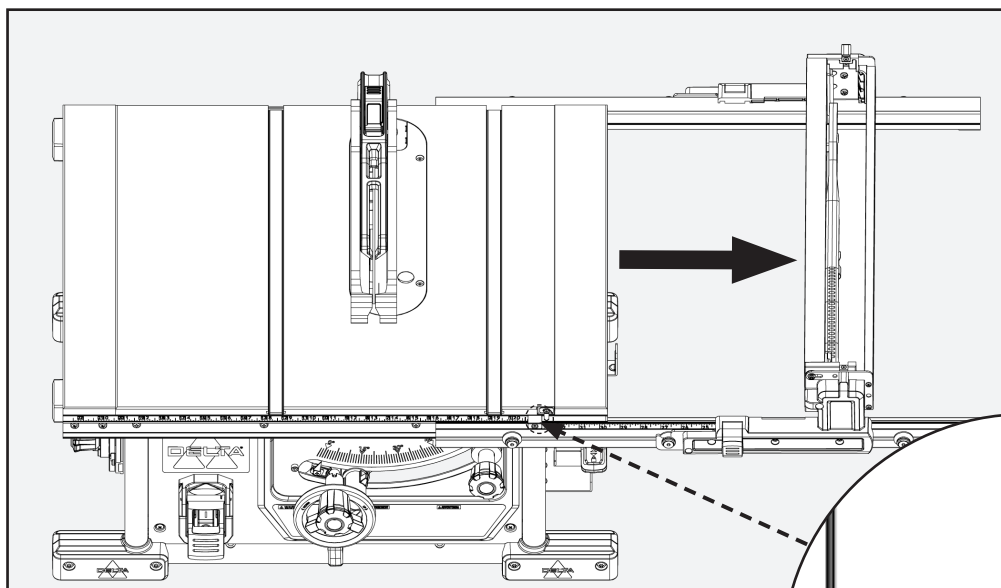


FIGURA 47

## Extensión de pestaña negra

- La lengüeta negra en el medio del riel se puede usar para corte recto de 0 a 21 pulgadas.
- Para usar la escala negra, inserte las muescas de la guía en las pestañas negras del riel.
- Cuando la cerca se inserta en las pestañas negras, lea la escala negra.
- Extienda el ala de extensión hacia la derecha (Máximo 21 pulgadas).

Ver Figura 47.

# CÓMO REALIZAR AJUSTES

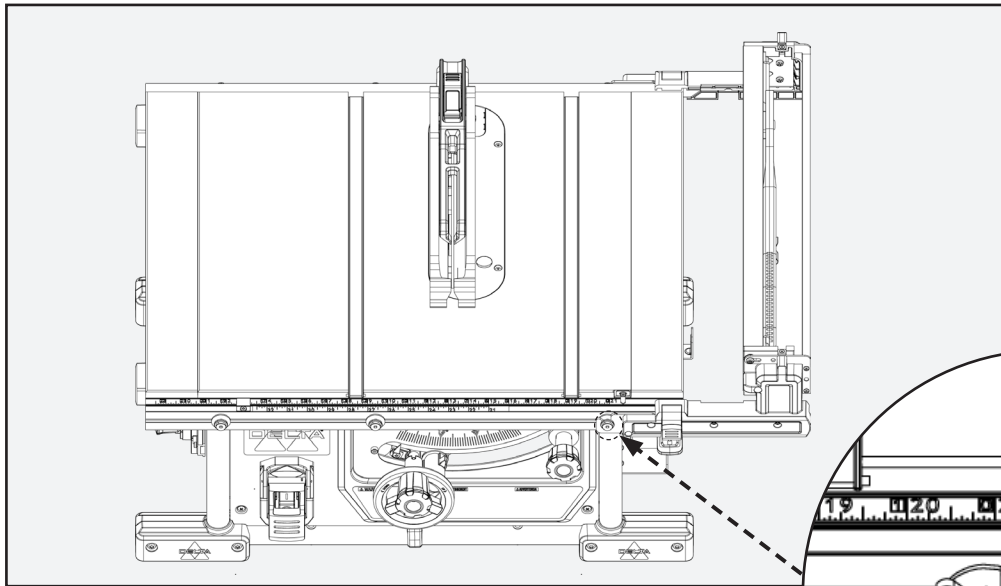


FIGURA 48

## Pestaña blanca

La escala blanca corresponde con las pestañas blancas.

- La pestaña blanca a la derecha del riel se puede usar para un corte al hilo derecho de 21 a 32.5 pulgadas.
- Para usar la escala blanca, inserte las muescas de la guía en las pestañas blancas del riel.
- Cuando la cerca se inserta en las pestañas blancas, lea la escala blanca.

Ver Figura 48.

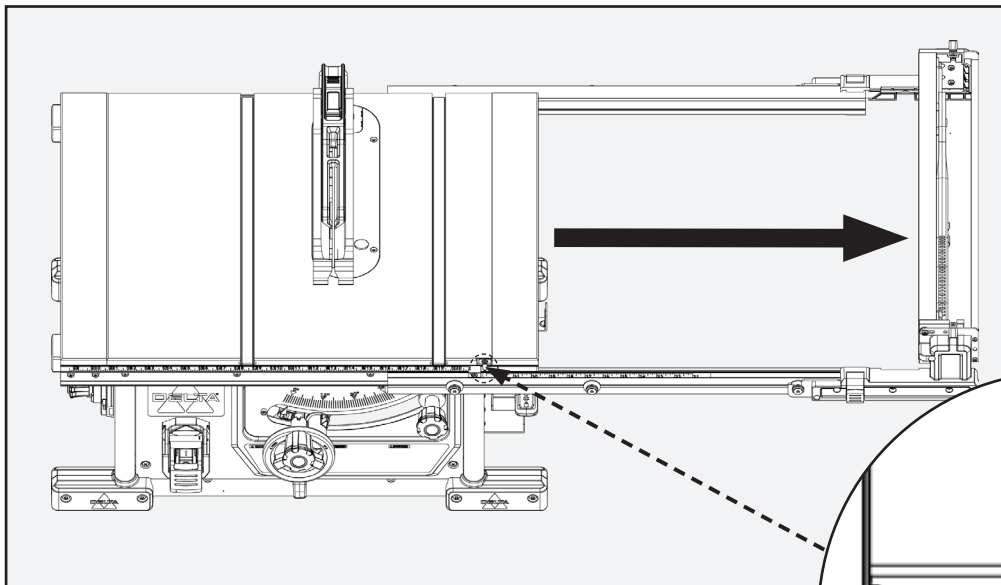


FIGURA 49

## Extensión de la pestaña blanca

- La pestaña blanca a la derecha del riel se puede usar para un corte al hilo derecho de 21 a 32.5 pulgadas.
- Para usar la escala blanca, inserte las muescas de la guía en las pestañas blancas del riel.
- Cuando la cerca se inserta en las pestañas blancas, lea la escala blanca.
- Extienda el ala de extensión hacia la derecha (máximo 32.5 pulgadas).

Ver Figura 49.



# CÓMO REALIZAR AJUSTES

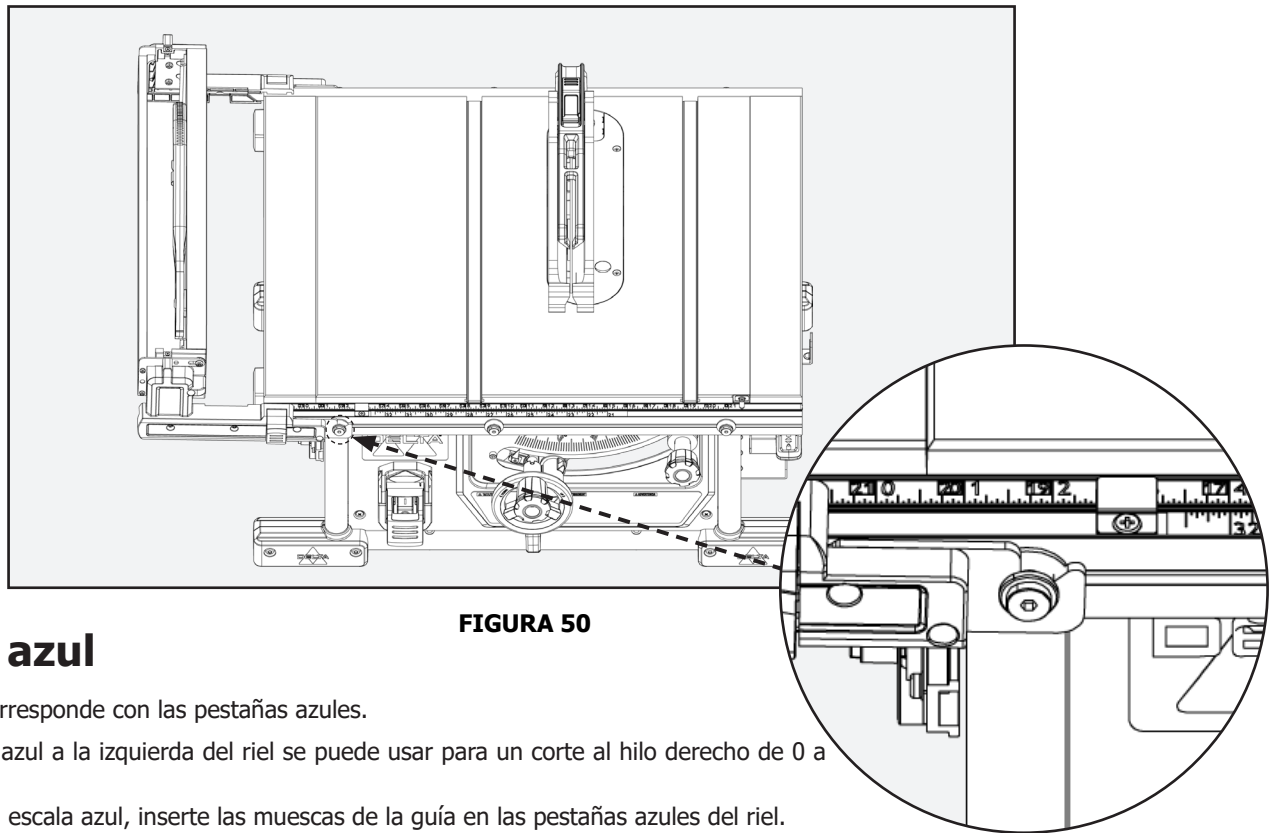


FIGURA 50

## Pestaña azul

La escala azul corresponde con las pestañas azules.

- La pestaña azul a la izquierda del riel se puede usar para un corte al hilo derecho de 0 a 22 pulgadas.
- Para usar la escala azul, inserte las muescas de la guía en las pestañas azules del riel.
- Cuando la cerca se inserta en las pestañas azules, lea la escala azul.

Vea la Figura 50.

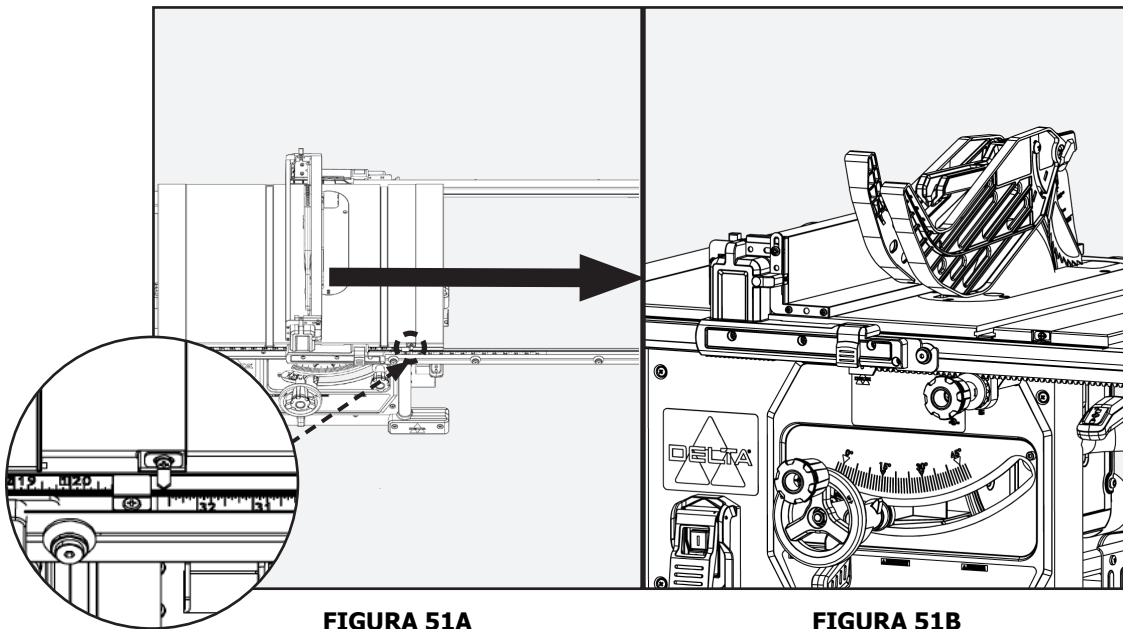


FIGURA 51A

FIGURA 51B

## Extensión de la pestaña azul

- La pestaña azul a la izquierda del riel se puede usar para un corte al hilo derecho de 0 a 22 pulgadas.
- Para usar la escala azul, inserte las muescas de la guía en las pestañas azules del riel.
- Cuando la cerca se inserta en las pestañas azules, lea la escala azul.
- Extienda el ala de extensión hacia la derecha (Máximo 22 pulgadas).

Vea la Figura 51.

Para materiales delgados use la guía a la izquierda de la cuchilla. Doble hacia abajo la cerca delgada para permitir el uso de la protección de la cuchilla. Reste 2 pulgadas (50.8 mm) de la escala para obtener mediciones precisas. Vea la Figura 51B.

# CÓMO REALIZAR AJUSTES

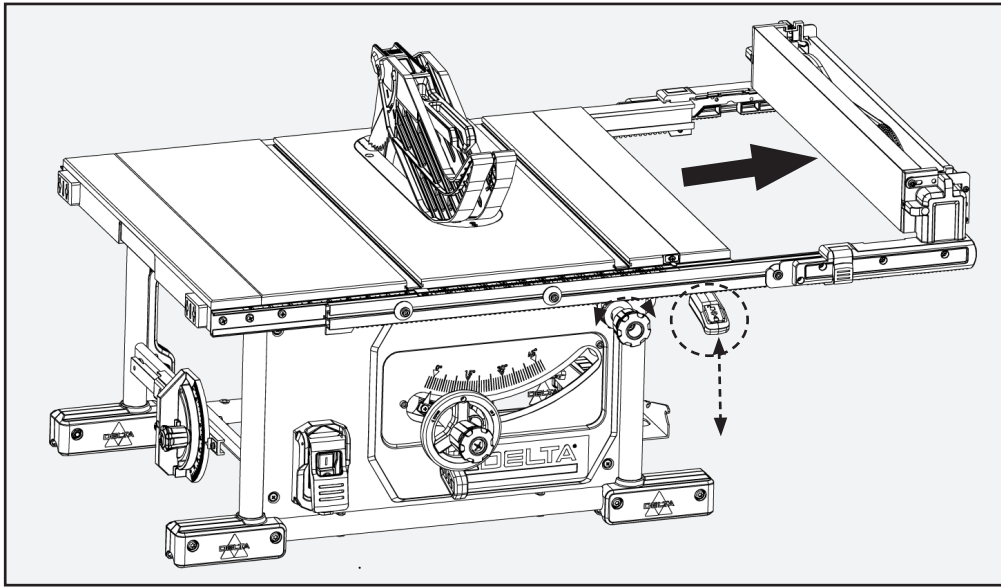


FIGURA 52

## Ajuste del sistema de carril

- Levante el bloqueo de la palanca del riel para desbloquear la posición.
- Gire la perilla de extensión hasta lograr la dimensión de corte deseada.
- Empuje el bloqueo de la palanca del riel hacia abajo para enganchar el bloqueo.

Vea la Figura 52.

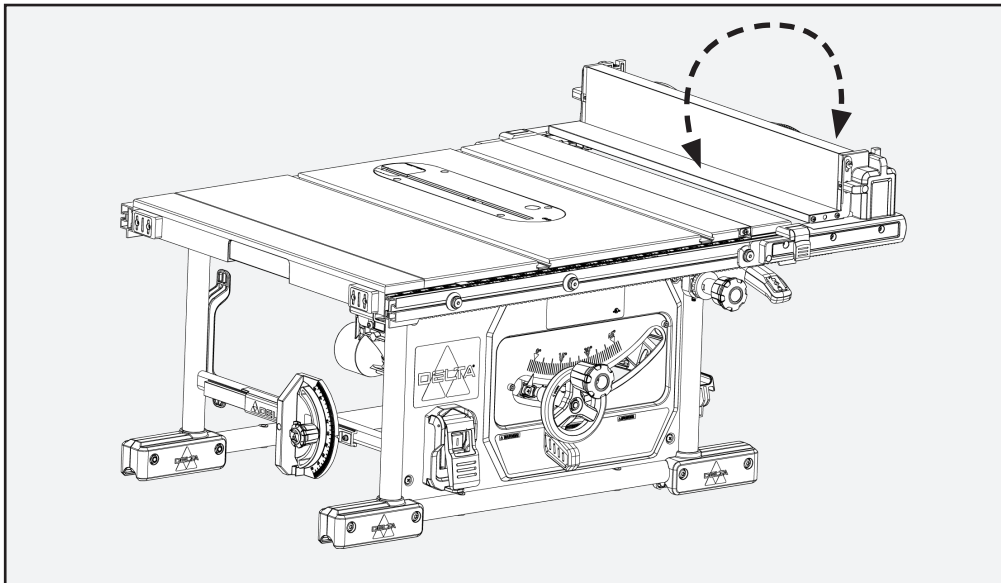


FIGURA 53

## Soporte de pieza de trabajo atractiva

Cuando trabaje con piezas grandes de material que se extiendan más allá de la superficie de la mesa, gire el soporte de la pieza de trabajo hacia el lado de la hoja de la mesa para proporcionar el soporte adecuado.

- Ubique el soporte de la pieza de trabajo en el lado derecho de la cerca.
- Empuje hacia arriba el soporte de la pieza de trabajo para voltear.
- Voltee el soporte de la pieza de trabajo sobre la guía hacia el lado de la hoja de la mesa.
- Deslice el soporte de la pieza de trabajo en su lugar en el lado izquierdo de la cerca hasta que esté en línea con la mesa.

Vea la Figura 53.

# POSICIÓN Y ALINEACIÓN DE LA ALTURA DEL SEPARADOR

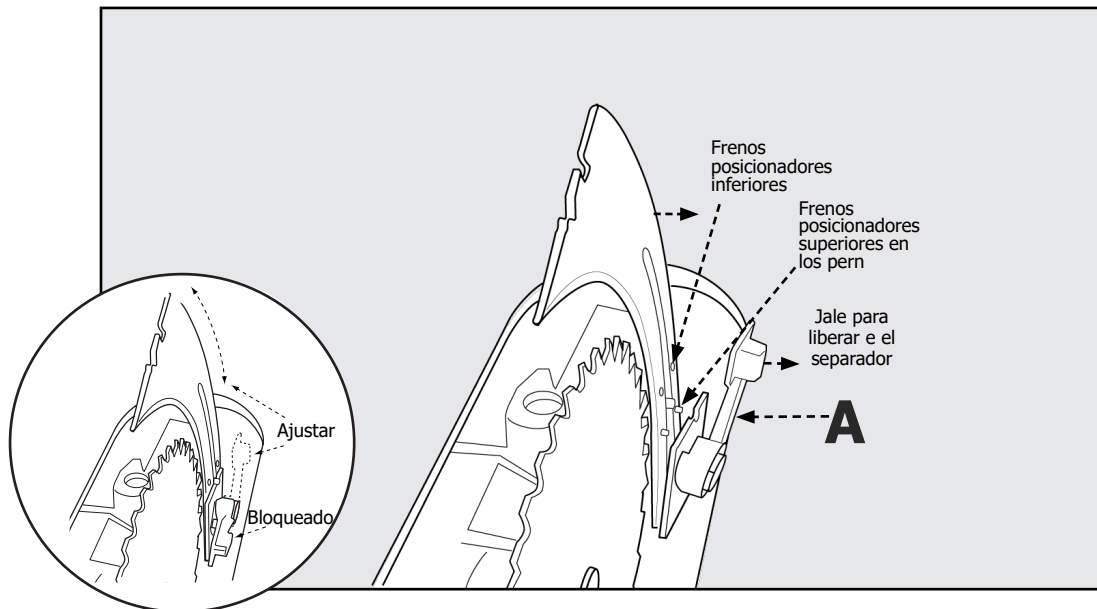


FIGURA 54

## AJUSTES DE ALTURA DEL CUCHILLO RIVING

La altura de la cuchilla separadora debe ajustarse según el tipo de corte que se realice. Para todos los cortes pasantes (cuando la madera está completamente cortada), debe estar en la posición elevada, con los dedos anti-retroceso y la protección instalada. Para cortes que no atraviesan (cuando la hoja no penetra en la parte superior de la pieza de trabajo), la cuchilla separadora debe estar en la posición bajada y se han retirado los dedos y la protección anti-retroceso.

### PARA LEVANTAR O BAJAR EL CUCHILLO RIVING:

1. Retire la placa de la garganta y levante la hoja hasta la altura máxima sobre la mesa.
2. Ubique la palanca de la leva de bloqueo cerca de la base de la cuchilla de clavado.
3. Gire la palanca de la leva girándola hacia la derecha para desbloquear y liberar la cuchilla separadora de su posición bloqueada.
4. Con la mano colocada cerca de la parte superior de la cuchilla, inclínela hacia afuera para alejarla de los dos pasadores de bloqueo que se encuentran junto a su ranura central. Esto ahora libera el cuchillo para deslizarlo hacia arriba / cortar a través de la posición.
5. Levante la cuchilla hacia arriba a lo largo de la ranura deslizante hasta que sienta la nueva posición de los pasadores de bloqueo.
6. Suelte el cuchillo y debería encajar en su nueva posición; menear si es necesario.
7. Vuelva a colocar la palanca de la leva de bloqueo en la posición de bloqueo. Si ha hecho esto correctamente, la cuchilla de tiro se alineará con la cuchilla. Si no es volver sobre sus pasos hasta que lo haga.

**NOTA:** Cuando ajuste la cuchilla de tiro hacia arriba o hacia abajo, asegúrese de hacer un movimiento radial, como se muestra.

**⚠ ADVERTENCIA** NO utilice la sierra a menos que el separador esté sujetado firmemente en la posición elevada para cortes completos o en la posición descendente para cortes sin traspaso.

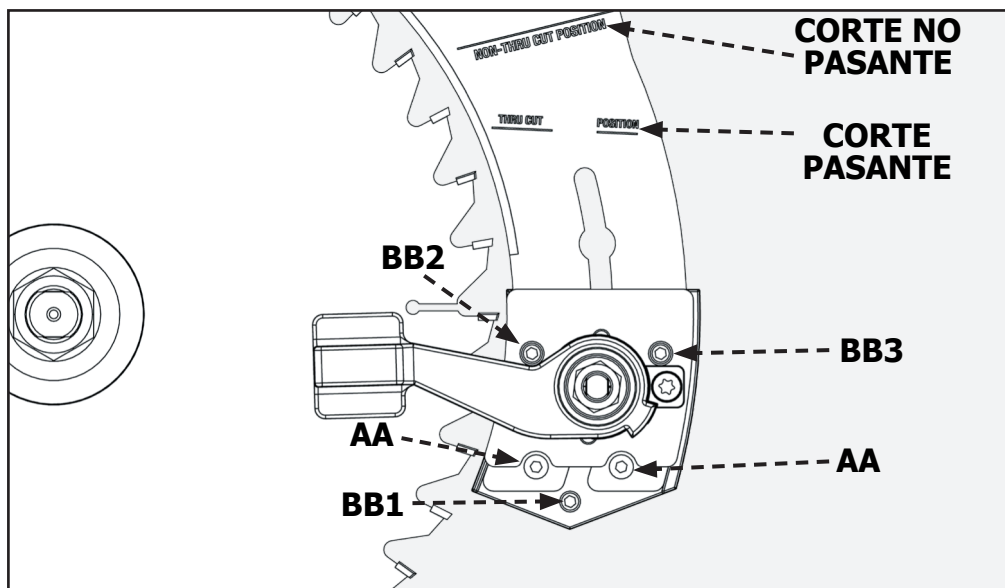


FIGURA 55

Punto de ubicación en la POSICIÓN DE CORTE NO PASANTE

**NOTA:** El separador se ubica en esta posición para los cortes "NO PASANTES" y además en esta posición cuando se lo empaqueta para el envío. Apunte a la ubicación para la POSICIÓN PASANTE como se muestra en la Figura 55. (El operador deberá ajustar el separador en esta posición cuando realice los cortes "PASANTES").

(**NOTA** Debe colocar el separador en la posición PASANTE antes de realizar algún ajuste de alineación del separador de la hoja).

# POSICIÓN Y ALINEACIÓN DE LA ALTURA DEL SEPARADOR

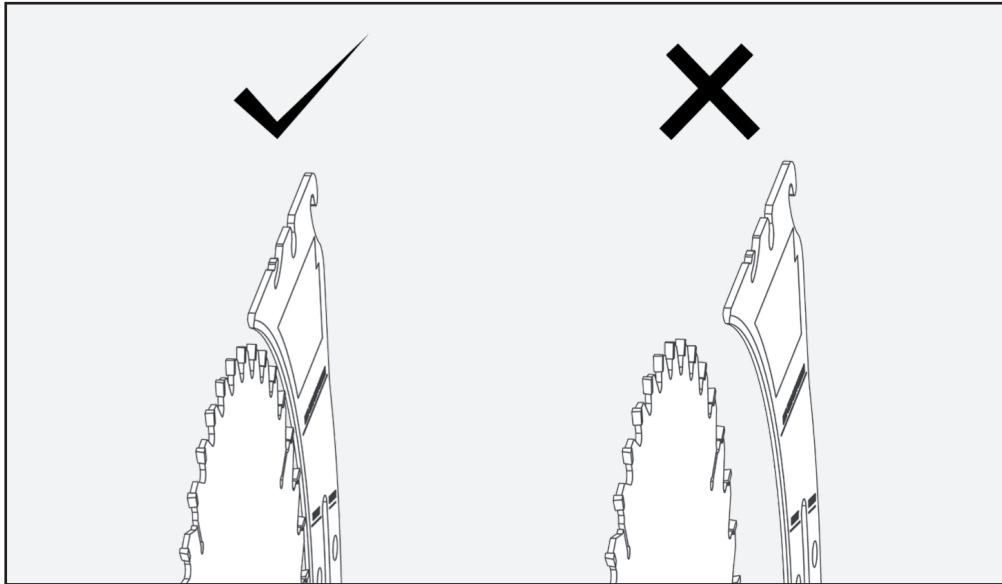


FIGURA 56

## ALINEACIÓN DEL SEPARADOR

### Alineación en paralelo

El plano del separador es paralelo al plano de la hoja pero el separador y la hoja no están en línea entre sí.

Si se requiere un ajuste en paralelo, utilice las Figuras 55 y 56 para realizar los siguientes ajustes:

1. Afloje los 2 tornillos de cabeza hexagonal (AA).
2. Apriete o afloje el tornillo de ajuste (BB1) para ajustar la línea de datum si el separador debe alinearse con la hoja.
3. Ajuste el tornillo de presión (BB2) y (BB3) para asistir con la alineación del separador esté paralela a la hoja.
4. Apriete los tornillos de cabeza hexagonal (AA).

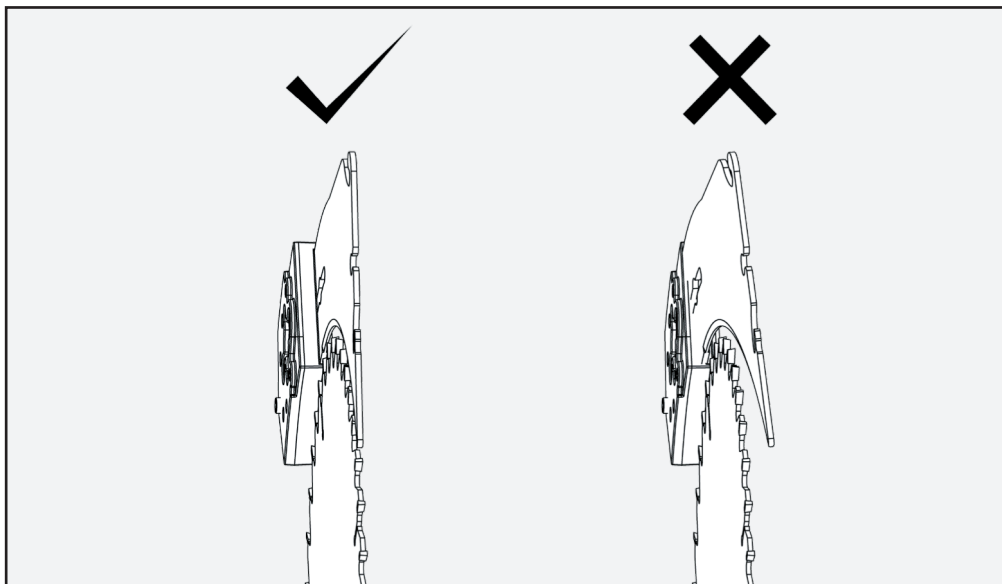


FIGURA 57

### Alineación horizontal

El plano del pasador aparece torcido en comparación con el plano de la hoja. (Puede verse mirando directamente hacia abajo en la hoja y separador).

Si el separador posee una desalineación horizontal, ajuste tal como se describe a continuación en las Figuras 55 y 57:

1. Afloje los 2 tornillos de cabeza hexagonal (AA).
2. Ajuste el tornillo (BB2) para alinear el separador con la hoja. Si continúa la desalineación, ajuste (BB3) hasta que se logre la alineación correcta. No ajuste (BB1).
3. Apriete los tornillos (AA).

# POSICIÓN Y ALINEACIÓN DE LA ALTURA DEL SEPARADOR

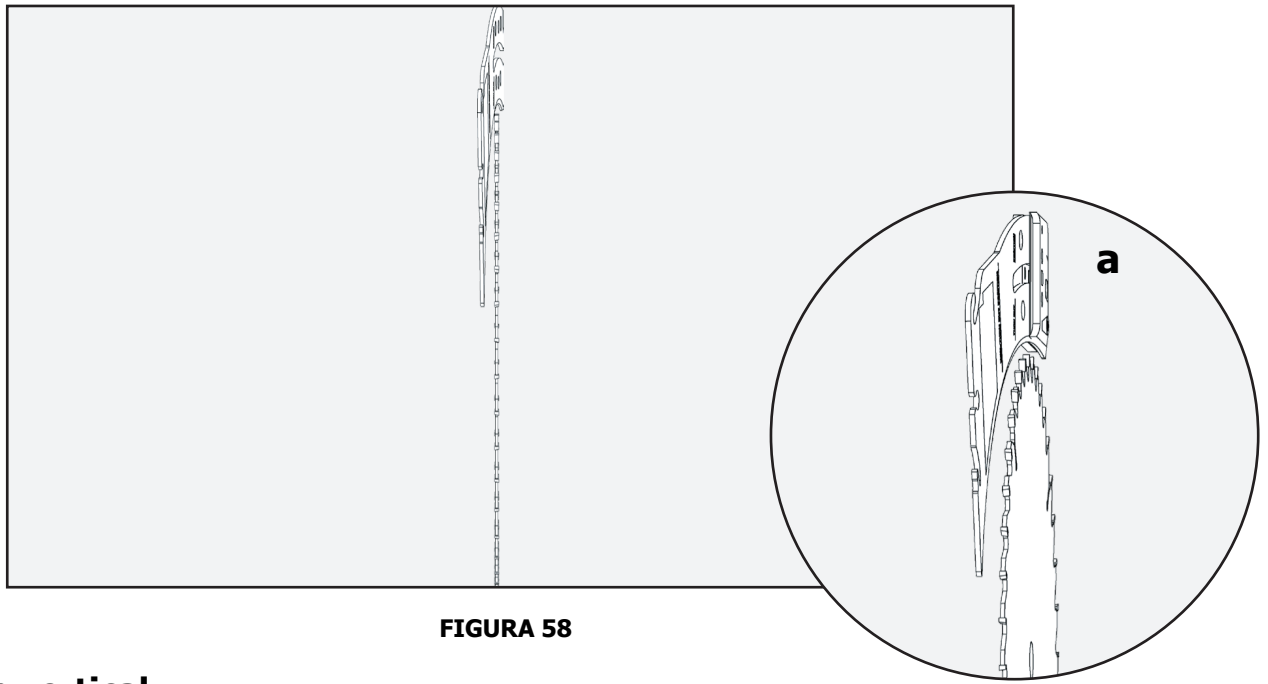


FIGURA 58

## Alineación vertical

El plano del separador aparece retorcido en comparación con el plano de la hoja desde abajo del separador hasta arriba del separador. (Puede verse mirando desde el frente de la sierra).

Si el separador posee una desalineación vertical, ajuste tal como se describe a continuación en las Fig. 55 y 57:

1. Afloje los 2 tornillos de cabeza hexagonal (AA).
2. Realice ajustes a (BB2) y (BB3) para alinear el separador con la hoja. No se requiere ningún ajuste para (BB1).
3. Apriete los tornillos (AA).

# MANTENIMIENTO

**⚠ ADVERTENCIA** Para reducir el riesgo de lesiones, apague la unidad y desconéctela de la fuente de alimentación, antes de limpiar o realizar el mantenimiento, instalar y extraer accesorios, antes de ajustar y al realizar reparaciones. Un arranque accidental puede provocar una lesión.

## MANTENGA LIMPIA LA MÁQUINA

Sopletee periódicamente todos los conductos de aire con aire comprimido seco. Todas las partes de plástico deben limpiarse con un paño húmedo y suave. NUNCA utilice solventes para limpiar las partes de plástico. Pueden disolver o dañar de alguna manera el material.

**⚠ ADVERTENCIA** Use equipo de seguridad certificado para protección ocular, auditiva y respiratoria al usar aire comprimido.

Para obtener el mejor rendimiento, use una aspiradora o soplador para mantener el área de la hoja de sierra, el sistema de recolección de polvo, el sistema de protección y los rieles libres de polvo de sierra y otros desechos.

## RECORDATORIOS DE MANTENIMIENTO

### ⚠ ADVERTENCIA

Use equipo de seguridad certificado para protección ocular, auditiva y respiratoria al usar aire comprimido.

Las áreas específicas que requieren un mantenimiento frecuente incluyen:

**PLACA DE SUJECCIÓN DEL SEPARADOR:** Mantenga esta área libre de polvo y acumulación de basura. Limpie el área frecuentemente con aire comprimido.

**NOTA:** Si la abrazadera del separador no se mueve libremente, solicite el servicio técnico de la sierra al personal de un centro de servicio técnico autorizado de DELTA® Power Equipment Corporation.

**ENGRANAJES SINFIN:** Mantenga los engranajes sinfín libres de polvo y acumulación de basura. Limpie el área frecuentemente con aire comprimido. Utilice una grasa multipropósito a base de litio según sea necesario en estos engranajes.

**LIMPIE PERIÓDICAMENTE LA ACUMULACIÓN DE ASERRÍN EN EL GABINETE: NOTA:** Los residuos también pueden limpiarse de la sierra desde abajo de la placa de garganta, dentro del puerto de polvo.

## RESOLUCIÓN DE PROBLEMAS

Para solicitar ayuda con su máquina, visite nuestro sitio web en [www.DeltaMachinery.com](http://www.DeltaMachinery.com) para acceder a una lista de centros de servicio técnico o comuníquese con DELTA® Power Equipment Corporation al 1-800-223-7278.

## LA SIERRA NO ARRANCA

Si su máquina no arranca, verifique que las clavijas del enchufe tengan un buen contacto con el tomacorriente e inspeccione el botón de restablecimiento en el alojamiento del interruptor de alimentación. Asimismo, verifique que no haya fusibles fundidos o un disyuntor abierto en su línea de alimentación.

# ACCESORIOS

Para obtener información sobre los accesorios, visite nuestro sitio web para acceder a un catálogo en línea o para encontrar el nombre de su distribuidor más cercano.

**⚠ ADVERTENCIA:** Puesto que los accesorios distintos a los ofrecidos por DELTA® aún no han sido probados con este producto, el uso de dichos accesorios podría ser peligroso. Para lograr el funcionamiento más seguro, solo deben usarse accesorios recomendados por DELTA® con este producto.

## ASISTENCIA PARA PIEZAS, SERVICIO O GARANTÍA

Todas las máquinas y accesorios DELTA® están fabricados con los estándares de calidad más altos y su servicio técnico es realizado a través de una red de centros de servicio técnico autorizados. Para obtener información adicional relacionada con el producto o para obtener piezas, solicitar el servicio técnico o asistencia en garantía, o conocer la ubicación del centro de servicio técnico más cercano, comuníquese al 1-800-223-7278.

### GARANTÍA LIMITADA DE 5 AÑOS

**1. COBERTURA.** Delta Power Equipment Corporation (en adelante, "la Empresa"), reparará o reemplazará, a su sola opción, este producto, si se adquirió en un comercio minorista de los Estados Unidos y Canadá y se demostró que el producto, con su uso normal, tiene defectos en los materiales o mano de obra, sujeto a las condiciones establecidas en esta garantía limitada. Esta garantía limitada cubre únicamente materiales y mano de obra. Todos los costos de transporte quedan a cargo del cliente.

**2. PERÍODO DE GARANTÍA.** Todos los reclamos en garantía deberán enviarse en el plazo de 5 años a partir de la fecha de la compra en el comercio minorista. En el caso de piezas de reemplazo y productos reacondicionados de fábrica, el período de garantía será de 180 días.

**3. CÓMO OBTENER EL SERVICIO TÉCNICO EN GARANTÍA.** A fin de obtener el servicio técnico en garantía, deberá devolver el producto defectuoso, a cuenta propia, a un centro de servicio técnico autorizado por la Empresa para la ejecución del servicio técnico en garantía (un "Centro de servicio técnico autorizado por la empresa") dentro del período de garantía aplicable, junto con un comprobante de compra válido, como el recibo original que incluya la fecha de compra o un número de registro del producto. La Empresa se reserva el derecho de restringir el servicio técnico en garantía al país donde se realizó la compra y/o cobrar por el costo de exportar las piezas de reemplazo u ofrecer el servicio técnico en garantía en otro país. Para este propósito, las compras en línea se consideran como realizadas en los Estados Unidos. Para conocer la ubicación del Centro de servicio técnico autorizado por la empresa más cercano, comuníquese con el Centro de atención al cliente de la empresa al 1-800-223-7278.

#### 4. EXCLUSIONES.

- La Empresa no ofrece ninguna garantía a productos adquiridos en condición de usados o dañados.
- La Empresa no concede ninguna garantía a productos adquiridos fuera de los Estados Unidos o Canadá.
- La Empresa no será responsable de ningún daño que surja a partir del desgaste normal, uso indebido, uso incorrecto o cualquier reparación o modificación realizada por personas que no pertenezcan al Centro de servicio técnico autorizado de la Empresa o no sean un representante designado del Centro de atención al cliente de la Empresa.

**Todas las GARANTÍAS IMPLÍCITAS** están limitadas al período de garantía establecido anteriormente.

**La Empresa no será responsable de daños ACCIDENTALES O CONSECUENTES.**

Esta garantía es la única garantía de la Empresa y se establece como la reparación exclusiva del cliente, con respecto a productos defectuosos; la Empresa desconoce todas las otras garantías, expresas o implícitas, sean de comerciabilidad, adecuación para un propósito, excepto que se detalle explícitamente en esta declaración de garantía.

Algunos estados no permiten la exclusión o limitación de los daños accidentales o consecuentes, ni la limitación de las garantías implícitas, por lo tanto, las limitaciones o exclusiones anteriores podrían no aplicarse a su caso. Esta garantía le concede derechos legales específicos y es posible que posea otros derechos, que varían en determinados estados o provincias. Para obtener información detallada sobre la cobertura de la garantía e información sobre la reparación en garantía, comuníquese al 1-800-223-7278. Para registrar sus productos en línea, le recomendamos que visite nuestro sitio web y se registre para obtener una cuenta de miembro de DELTA® gratuita en <http://www.deltamachinery.com/register>.

**LATINOAMÉRICA:** Esta garantía no se aplica a productos comercializados en Latinoamérica. Para productos vendidos en América Latina, llame a la empresa local o visite el sitio web para obtener información sobre la garantía.

### PIEZAS DE REEMPLAZO

Esta herramienta eléctrica se suministra con un cable de suministro de energía de tipo Y. Si es necesario reemplazar el CORDÓN DE SUMINISTRO, esto debe hacerlo el fabricante o su agente para evitar riesgos de seguridad. Utilice solamente piezas de reemplazo idénticas. Para obtener una lista de las piezas o solicitar piezas, visite nuestro sitio web en [www.DeltaMachinery.com/service](http://www.DeltaMachinery.com/service). También puede solicitar las piezas a través del Centro de servicio técnico en garantía autorizado más cercano o comunicándose con el gerente de servicio técnico al 1-800-223-7278 para recibir asistencia personalizada de uno de nuestros representantes altamente capacitados.

### REEMPLAZO GRATIS DE LAS ETIQUETAS DE ADVERTENCIA

Si sus etiquetas de advertencia se tornan ilegibles o faltasen, llame al 1-800-223-7278 para obtener etiquetas gratis de reemplazo.

### MANTENIMIENTO Y REPARACIONES

Todas las herramientas de alta calidad requerirán eventualmente el mantenimiento y/o reemplazo de las piezas. Para obtener información sobre Delta Power Equipment Corporation, sus filiales con fábricas propias o para encontrar un Centro de servicio técnico en garantía autorizado, visite nuestro sitio web [www.DeltaMachinery.com/service](http://www.DeltaMachinery.com/service) o comuníquese con el servicio de atención al cliente al 1-800-223-7278. Todas las reparaciones realizadas por nuestros centros de servicio técnico están totalmente garantizadas frente a defectos en los materiales y mano de obra. No podemos ofrecer una garantía para las reparaciones realizadas o intentadas realizar por otras personas. Al comunicarse con este número, también puede encontrar respuestas a las preguntas más frecuentes las 24 horas del día.

También puede escribirnos para obtener más información a la siguiente dirección: Delta Power Equipment Corporation, 2651 New Cut Road, Spartanburg, SC 29303 -

A la atención de: Gerente de servicio técnico. Asegúrese de incluir toda la información que aparece en la placa de identificación de la sierra (modelo, tipo, número de sierra, código de fecha, etc.).

**2651 New Cut Road  
Spartanburg, SC 29303  
(800) 223-7278  
www.DeltaMachinery.com**

Copyright© 2019 Delta Power Equipment Corporation

DPEC00005497

Rev: 8

09/16/2019

