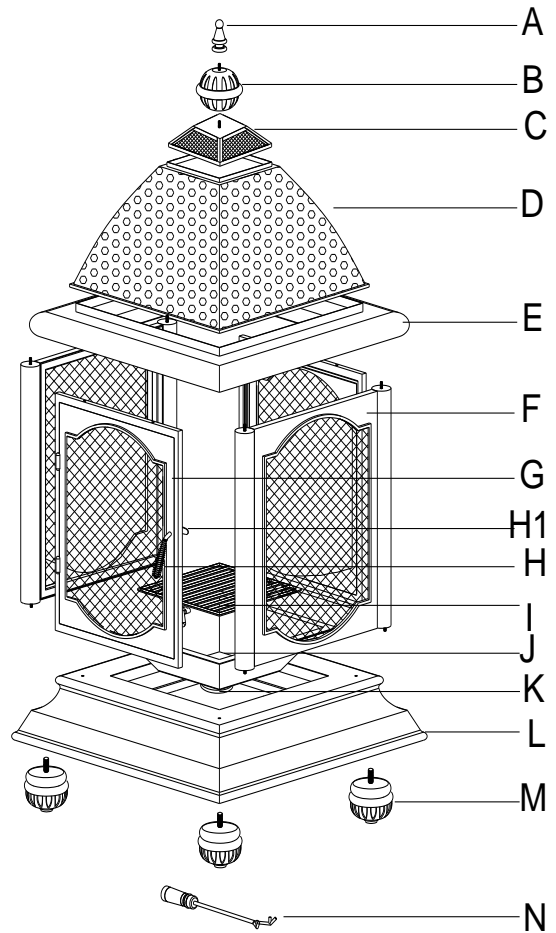


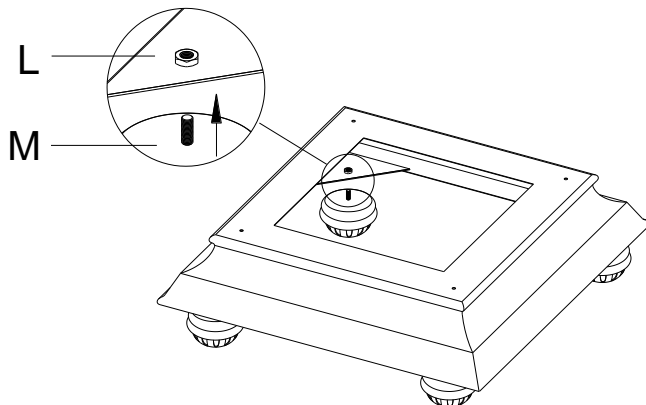
Assembly Instruction D-CM001PST

Part List

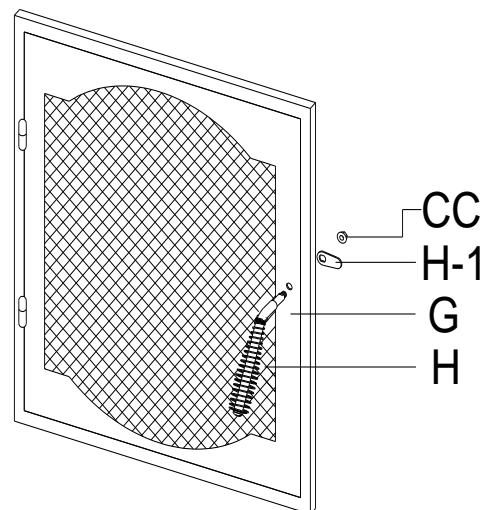
No.	Description	Qty
A	Finial	1
B	Decorative Ball	1
C	Decorative Base	1
D	Top	1
E	Upper base	1
F	Side Panel	2
G	Door	2
H	Handle	2
H-1	Handle 1	2
I	Firedog	1
J	Bowl	1
K	Ash Tray	1
L	Base	1
M	Foot	4
N	Poker	1
AA	Nut M6	8
BB	Bolt M6x15	8
CC	Flange Nut M6	2
DD	Flat Washer M6	16
EE	Bolt M5x10	3
FF	Flange Nut M5	3
GG	Wrench	1



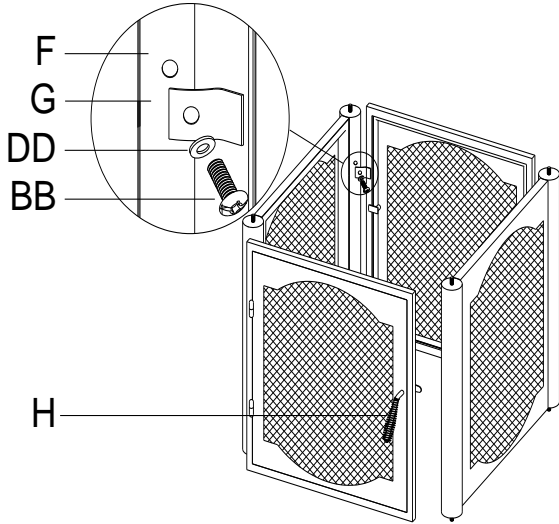
Step 1: Screw Foot (M) to Base (L) tightly.



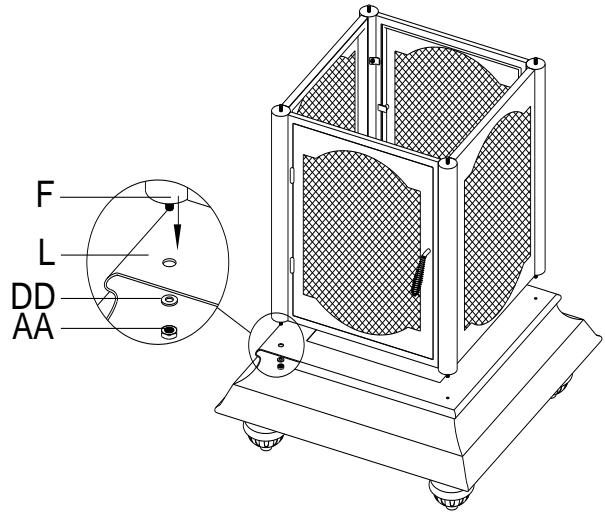
Step 2: Fix Handle (H) and Handle 1 (H-1) to Door (G) by Flange Nut (CC) as show below.



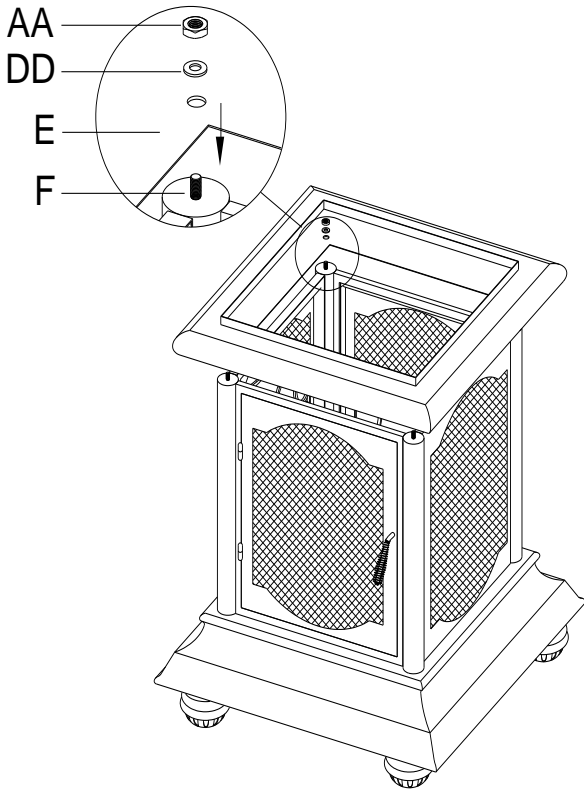
Step 3: Attach Door (G) to Side Panel (F) by Bolt (BB) and Flat Washer (DD). Lock them tightly.
 Note: Handle (H) should be on your right when assembling Door (G).



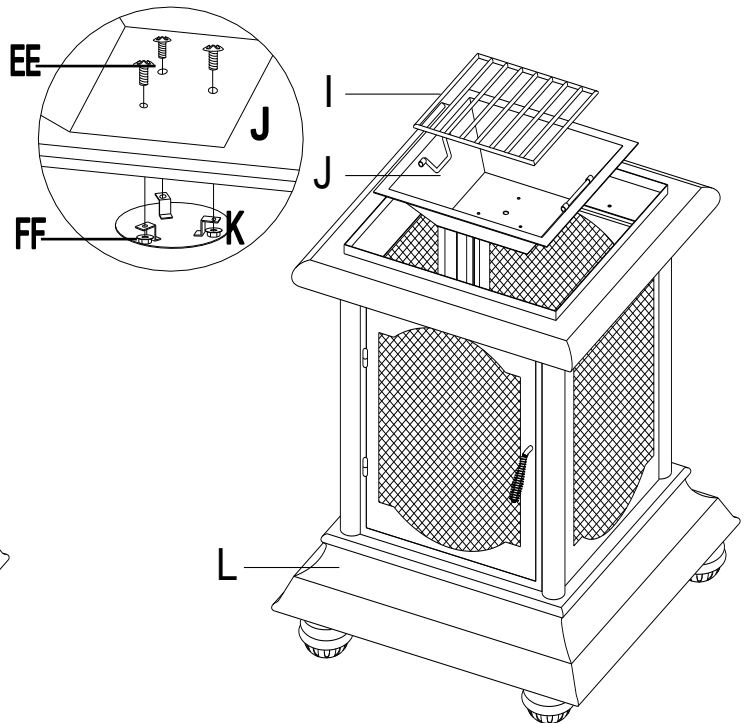
Step 4: Attach Side Panel (F) to Base (L) by Bolt (AA) and Flat Washer (DD). Lock them tightly.
 Note: Turn over the Side Panel (F) and Base (L) when assembling.



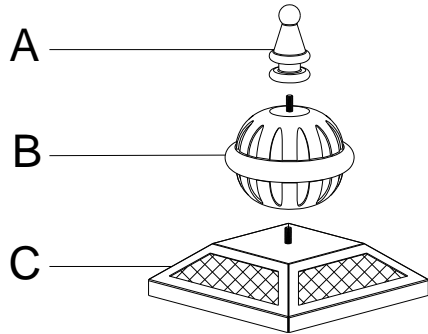
Step 5: Fix Upper base (E) and Side Panel (F) by Bolt (AA) and Flat Washer (DD). Lock them tightly.



Step 6: Fix Bowl (J) and Ash Tray (K) tightly by Bolt (EE) and Flange Nut (FF) as shown below.
 Set Bowl (J) and Firedog (I) into Base (L) in order.

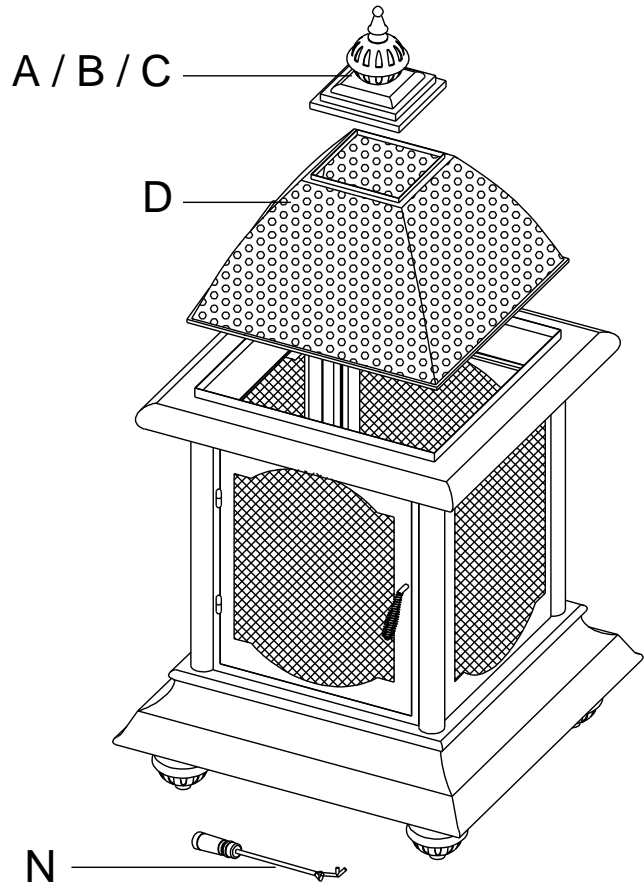


Step 7: Fix Finial (A), Decorative Ball (B) and Decorative Base (C) as below.



Step 8: Put Top (D) and assembled decorative part (A/B/C) on the assembled fireplace as shown below.

Put Poker (N) aside for use.



CAUTION:

1. Read and follow all Safety Statements, Warnings, Assembly Instructions, and Use & Care directions before attempting to assemble.
2. Some parts may contain sharp edges. Wear protective gloves if required.
3. Metal is susceptible to rust. Before using, clean the metal surface completely with a soft dry towel. If rust develops, clean the area by sanding lightly, and then wipe thoroughly and apply touch-up paint.
4. Check Local Fire Regulations before using this fireplace.
5. THE OUTER SURFACE OF THE FIREPLACE CAN REACH EXTREMELY HIGH TEMPERATURES WHEN IT IS IN USE, WHICH WILL CAUSE SERIOUS INJURY TO AN UNPROTECTED HAND. USE A POKER OR A APPROPRIATE HEAT RESISTANT GLOVE OR PAD WHEN HANDLING.

WARNING:

1. This fireplace is intended for outdoor use only. Do not use it on a wooden deck or on a lawn. Keep outdoor furniture, clothing, plants, and other combustible items at least 23.6 inches (0.6 m) away from the fireplace. Do not cover the Chimney lid when the fireplace is in use.
2. This fireplace is designed to burn wooden logs only. Do not overload it with logs. Do not burn coal, leaves, or other combustible materials in the fireplace.
3. Keep children and pets away from the fireplace.
4. The fireplace is hot. Use it with caution. Do not touch the hot fireplace with bare hands. The screen handle and drawer handle can reach extremely high temperatures that will cause injury to an unprotected hand.
5. Never leave a burning fireplace unattended, and always extinguish the fire completely before leaving it. Keep a fire extinguisher nearby.
6. The grate is not intended for cooking, and should not be used for this purpose.
7. In order to avoid discoloration of the fireplace, always handle the surface with a soft cloth, because oil from hands may cause the color to change.

WARRANTY**(1- year warranty)**

Thank you for purchasing this SUNJOY product. These products have been made to demanding, high-quality standards and are guaranteed for domestic use against manufacturing faults. This warranty does not affect your statutory rights.

For technical assistance on assembly or replacement parts. In the continental U.S., you can call us toll-free at 1-866-578-6569 from 8 a.m. to 5 p.m. CST Monday – Friday. In the continental Canada, you can call us toll-free at 1-844-SUNJOY1 (1-844-786-5691) from 8 a.m. to 5 p.m. CST Monday – Friday. You can fax the replacement part form which is in the box to (740)-283-3549 .You can also send us an email to customer.care@sunjoyonline.com.The manufacturer reserves the right to repair or replace the defective product, at its discretion.

The product is guaranteed if used for normal trade purposes. Any warranty is invalid if the product has been overloaded or subject to neglect, improper use or an attempted repair other than by an authorized agent. Heavy-duty or daily professional/commercial usage are not guaranteed. Due to continuous product improvement, we reserve the right to change the product specifications without prior notice.

Made in China