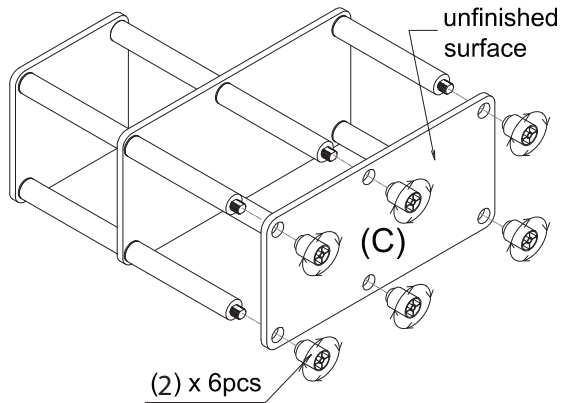
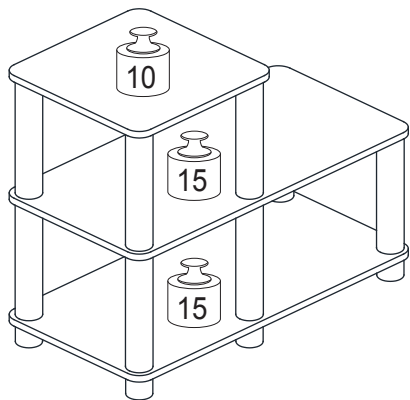


STEP 3

Connect Round Leg (2) & Panel (C) to assembled unit, as shown:



Recommended Maximum Weight



*Unit in Pound(lbs)

WARNING:

>This unit has been designed to support the maximum loads shown. Exceeding these load limits could cause sagging, instability, product collapse, and/or serious injury.

>DO NOT allow children to climb on unit.

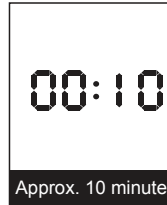
>Put heavier items on lower shelves.



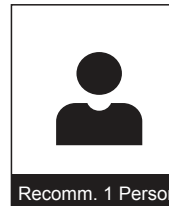
Assembly Instruction

Furinno Turn-N-Tube Accent
Decorative Shelf

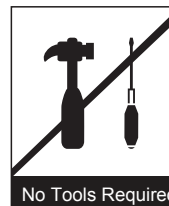
MODEL : 14032



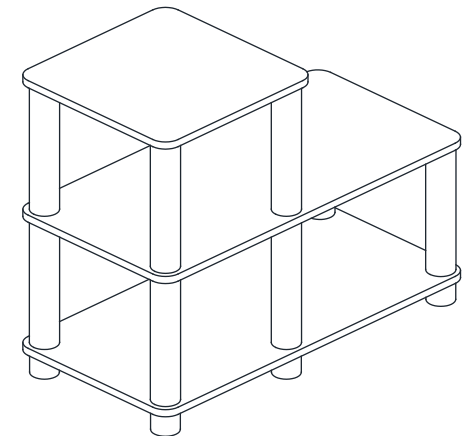
Approx. 10 minutes



Recomm. 1 Person



No Tools Required









Customer Support

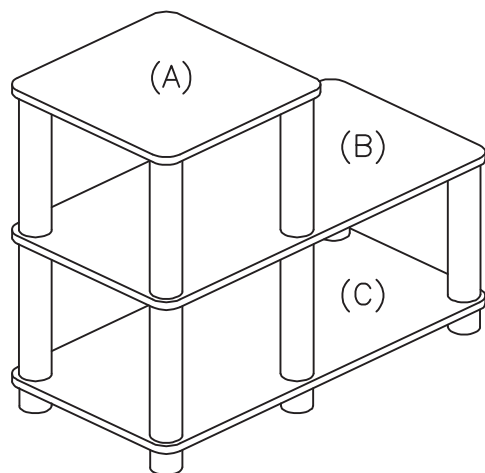
NEED HELP? For replacement requests or product inquiries, please contact our Customer Service Team by emailing us at support@furinno.com. Thank you for selecting Furinno!

www.furinno.com



No	Hardware List	Qty
1	Round Pole 	10pcs
2	Round Leg 	6pcs
3	Round Ring 	4pcs

No	Parts List	Qty
A	Top Panel 	1pcs
B	Shelf Panel 	1pcs
C	Bottom Panel 	1pcs

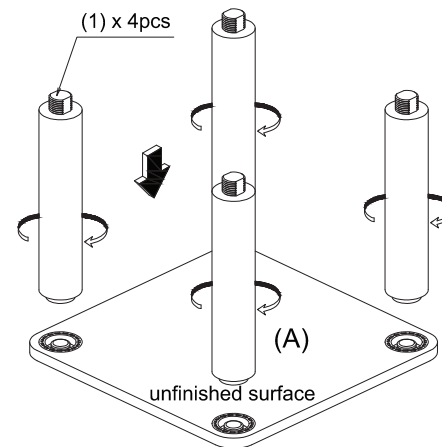


USEFUL HINTS BEFORE YOU START:

1. Read each step carefully before starting.
2. It is important that each step is performed in correct order to avoid difficulties.
3. Identify, sort and count the parts before assembly.
4. Assemble your furniture on packaging cardboard to prevent scratch or damage.
5. Clean the product with mild cleanser using soft damped cloth. Do not use harsh or abrasive cleanser.
6. Using incompatible hardware might cause damage to product.

STEP 1

Attach Round Pole(1) to Panel (A) and tighten it.



STEP 2

Tighten Pole(1) and Round Ring(3) to Panel (B), as shown:

