

Assemble Instruction

1. WARNINGS

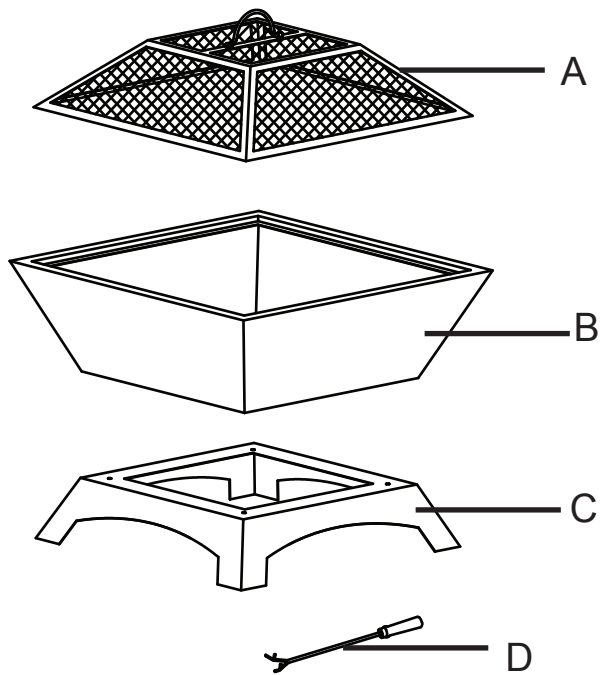
WARNING: SERIOUS INJURY OR DEATH CAN OCCUR IF CAUTION IS NOT USED. TO REDUCE THE RISK OF SERIOUS INJURY, READ ALL IMPORTANT PRECAUTIONS AND INSTRUCTIONS IN THIS MANUAL AND ALL WARNINGS ON YOUR PRODUCT BEFORE USING IT.

1. THIS PRODUCT IS INTENDED FOR OUTDOOR USE ONLY.
2. SOME PARTS MAY CONTAIN SHARP EDGES, ESPECIALLY AS NOTED ON THE MANUAL. WEAR PROTECTIVE GLOVES IF NECESSARY!
3. THE FIRE PIT GETS HOT! DO NOT TOUCH OR ALLOW CHILDREN TO PLAY NEAR THE FIRE PIT WHEN IT IS IN USE. HOT EMBERS CAN FLY OUT OF THE BASIN IN BREEZY CONDITIONS. A FIRE EXTINGUISHER SHOULD BE READILY AVAILABLE.
4. A LAYER OF SAND, 1 1/2" to 2" THICK MUST BE ADDED TO THE BOTTOM OF THE BOWL TO HELP PROTECT AGAINST THE CORROSIVE NATURE OF THE ASHES.
5. ENSURE THAT THE FIRE PIT IS POSITIONED ON A PERMANENT, FLAT, LEVEL, HEAT-RESISTANT, NON-FLAMMABLE SURFACE AWAY FROM FLAMMABLE ITEMS.
6. ENSURE FIRE PIT HAS A MINIMUM OF 6-7 FEET OVER HEAD CLEARANCE AND HAS A MINIMUM OF 6-7 FEET CLEARANCE FROM OTHER SURROUNDING ITEMS.
7. DO NOT USE THIS FIRE PIT ON DECKING OR ANY OTHER FLAMMABLE SURFACES SUCH AS DRY GRASS, WOOD CHIPS, LEAVES, OR DECORATIVE BARK.
8. USE ONLY ON BRICK, CONCRETE, STONE, OR OTHER MASONRY SURFACES.
9. DO NOT USE ON LAWNS OR WOODEN DECKS.
10. KEEP THE OUTDOOR FIRE PIT AWAY FROM BUILDINGS, FLAMMABLE ITEMS, AND VEHICLES.
11. THE OUTDOOR FIRE PIT IS FOR ADULT USE ONLY.
12. DO NOT MOVE THE OUTDOOR FIRE PIT WHILE IT IS BEING USED.
13. DO NOT LEAVE UNATTENDED AT ANY TIME WHILE IN USE.
14. DO NOT USE IN WINDY CONDITIONS.
15. DO NOT OVERLOAD OR USE TO BURN LEAVES OR GARBAGE.
16. KEEP THE SPARK SCREEN IN PLACE WHILE USING.
17. USE CAUTION WHEN REMOVING THE COVER, AS HOT STEAM OR A FLARE UP COULD CAUSE BURNS.
18. BEFORE EACH USE, MAKE SURE THE OUTDOOR FIRE PIT IS IN GOOD WORKING CONDITION.
19. USE CAUTION AFTER THE FIRE HAS BEEN EXTINGUISHED- SURFACES WILL REMAIN HOT FOR SOME TIME.
20. BE SURE ALL COALS ARE COLD BEFORE EMPTYING.
21. THIS FIREPLACE IS NOT INTENDED TO BE USED AS A PRIMARY HEAT SOURCE. DO NOT OVERFILL.
22. DO NOT USE PETROL, WHITE SPIRIT, LIGHTER FLUID, ALCOHOL, OR OTHER SIMILAR CHEMICALS TO LIGHT A FIRE.
23. THIS PRODUCT IS ONLY SUITABLE FOR USE WITH UNTREATED WOOD OR LOGS.
24. THIS PRODUCT IS NOT INTENDED FOR COOKING OR HEATING FOOD.
25. USE THE FIRE POKER AND HOOK PROVIDED TO REMOVE THE SCREEN WHEN IN USE AS THE SCREEN WILL BE HOT.
26. USE HEAT RESISTANT GLOVES DURING THE HANDLING PROCESS.
27. ALWAYS PLACE THE MESH SCREEN ON THE FIRE PIT WHEN IN USE.
28. CHECK LOCAL FIRE REGULATIONS AND MUNICIPAL BY-LAWS FOR SAFE USE.

2. MAIN PARTS

Before reading further, please familiarize yourself with the parts that are labeled in the drawing below.

No.	Part Description	Qty.
A	Mesh screen	1
B	Fire Pit	1
C	Base	1
D	Fire Poker	1
E	Bolt M6*10mm	4



3. ASSEMBLY INSTRUCTIONS

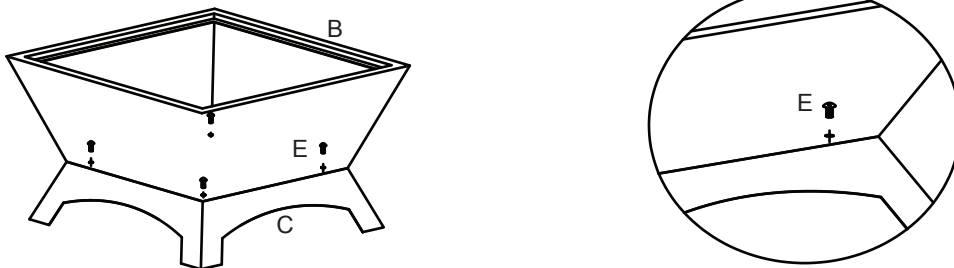
Assembly may require two persons. Place all parts in a cleared area and remove the packing materials. Do not dispose of the packing materials until assembly is completed.

STEP 1

Take parts out of carton and check against parts list

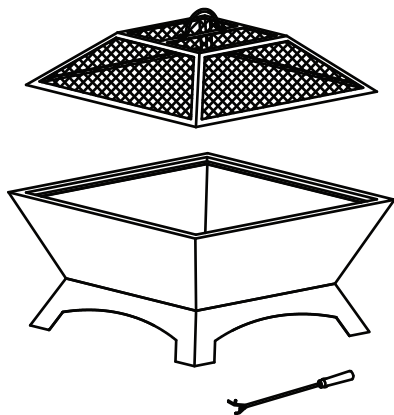
STEP 2

Connect fire pit (B) to the base (C) using M6 Bolts (E).



STEP 3

Place the mesh screen (A) over the fire pit (B).



Now your Fire Pit is ready for use! Enjoy!