



3 PIECE PUB SET

Model Number:	UPC Code:	Color:
DL7938B	0-65857-18281-1	BLACK
DL7938W	0-65857-18282-8	WHITE

Congratulations on your latest furniture purchase! **Dorel Living** furniture has been developed with quality, convenience and style in mind. We trust it will provide you with many years of exceptional comfort and service.

Before beginning assembly, we encourage you to familiarize yourself with your new furniture piece by taking a few minutes to go through this booklet. It contains important information on our warranty and care tips to keep your furniture looking as good as new.

Customer satisfaction is important to us at Dorel Asia. Our agents are available Monday to Friday 8am to 5pm (EST) to answer any question you may have. For faster service, always have the model number ready when calling our toll free number **1-800-295-1980** or emailing us at **das@dorel.com**.

For more great furniture ideas, check out our website at www.dorelliving.com
 You can also keep up to date on all the latest trends by liking our [Facebook page](#).



Date of Purchase: ____ / ____ / ____ Lot Number: _____
 (taken from carton)

DO NOT RETURN PRODUCT TO THE STORE. If a part is missing or damaged, contact our customer service department. We will replace the part **FREE** of charge.
 NOTE: THIS INSTRUCTION BOOKLET CONTAINS **IMPORTANT** SAFETY INFORMATION.
 PLEASE READ AND KEEP FOR FUTURE REFERENCE.

CUSTOMER SERVICE

If you are missing parts or have any questions about this product, contact our customer service representative first!



CALL 1-800-295-1980

You can also order parts by writing to the address listed below. Please include the product model number, color and a detailed description of the part.

**Customer Service Department No. 413
12345 Albert-Hudon Boulevard, Suite 100
Montreal, Quebec
Canada H1G 3L1
E-MAIL: das@dorel.com**

NOTE

- * Ensure that all parts and components are located before beginning assembly.
- * Assemble on a soft surface to prevent damage to the product finish.
- * **DO NOT** use the unit if it is damaged or broken.
- * **DO NOT** use power tools.
- * Caution: Adult assembly required.
- * Assembly will require 2 people.
- * Estimated assembly time: 30 minutes.
- * Phillips head screwdriver (not provided) is required for assembly.

CARE AND CLEANING

Dust regularly with a soft, lint-free cloth to prevent soil build-up. A damp cloth may be used occasionally to clean surface. Dry immediately. Do not use any abrasives that may damage finish. Excessive exposure to sunlight and extreme changes in temperature and moisture can damage wood furniture.

MAINTENANCE

Check bolts/screws periodically and tighten them if necessary.

LIMITED WARRANTY

Dorel warrants its product to be free from defects in material and workmanship and agrees to remedy any such defect. This warranty covers 1 year from the date of original purchase. This warranty is valid only upon presentation of proof of purchase. This is solely limited to the repair or replacement of defective furniture components and no assembly labor is included. This warranty does not apply to any product which has been improperly assembled, subjected to misuse or abuse or which has been altered or repaired in any way. This warranty gives you specific legal rights and you may also have other rights which vary from State to State.



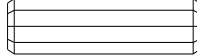



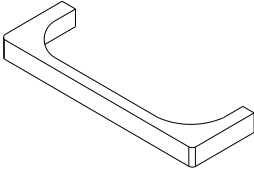
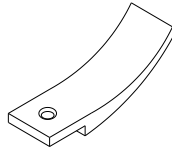
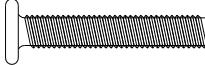
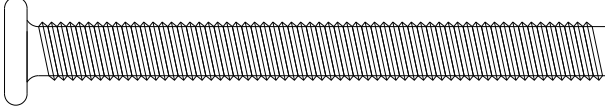


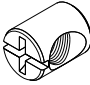
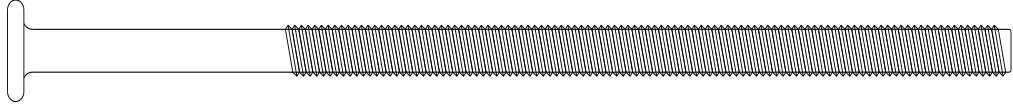


WARNING: Should this product become damaged, d/or components are broken or missing, DO NOT USE.

3 PIECE PUB SET

DL7938W / DL7938B

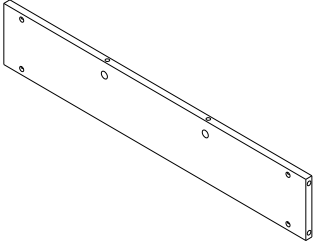
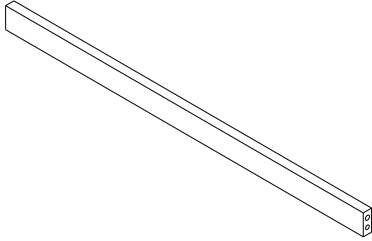
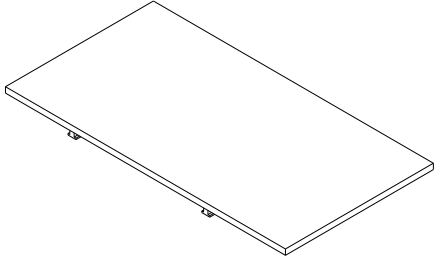
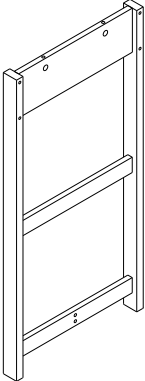
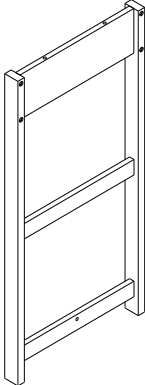
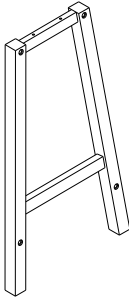
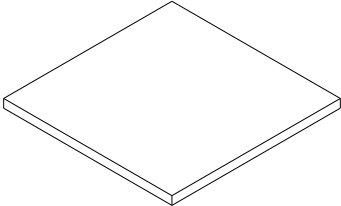
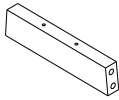
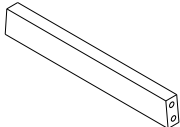
HARDWARE LIST

<p>1</p>  <p>Ø1/4" x 36mm</p>	<p>2</p>  <p>Ø4mm x 25mm</p>	<p>3</p>  <p>Ø8mm x 30mm</p>
<p>CAM BOLT 6 PCS</p>	<p>FLAT HEAD WOOD SCREW 16 PCS</p>	<p>WOOD DOWEL 18 PCS</p>
<p>4</p>  <p>Ø6mm x 3mm x 12mm</p>	<p>5</p>  <p>Ø5/32" x 20mm</p>	<p>6</p>  <p>Ø15mm x 12mm</p>
<p>ROUND WOOD SCREW 2 PCS</p>	<p>ROUND HEAD BOLT 4 PCS</p>	<p>CAM LOCK 6 PCS</p>
<p>7</p>  <p>102mm x 23mm x 8mm</p>	<p>8</p>  <p>57mm x 16mm</p>	<p>9</p>  <p>Ø1/4" x 25mm</p>
<p>HANDLE 2 PCS</p>	<p>DRAWER STOPPER 2 PCS</p>	<p>BOLT 2 PCS</p>
<p>10</p>  <p>Ø1/4" x 65mm</p>		<p>11</p>  <p>Ø4mm x 30mm</p>
<p>BOLT 18 PCS</p>		<p>FLAT HEAD WOOD SCREW 16 PCS</p>
<p>12</p>  <p>4mm</p>	<p>13</p>  <p>Ø9mm x 1/4" x 13mm</p>	
<p>ALLEN KEY 1 PC</p>	<p>BARREL NUT 8 PCS</p>	
<p>14</p>  <p>Ø1/4" x 100mm</p>		
<p>BOLT 8 PCS</p>		

3 PIECE PUB SET

DL7938W / DL7938B

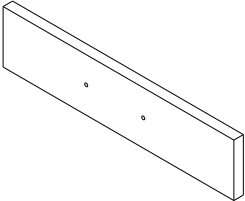
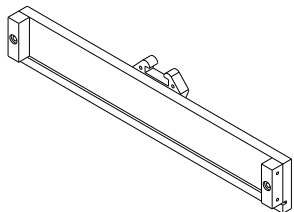
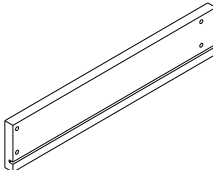
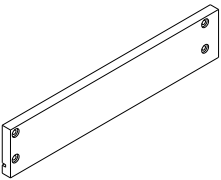
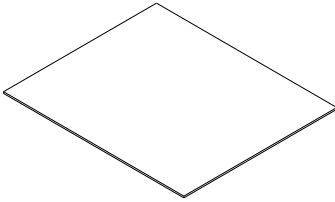
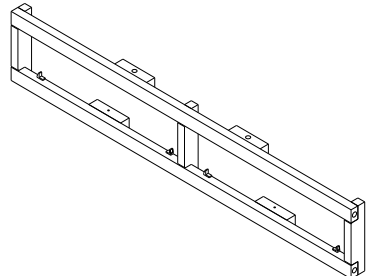
PARTS LIST

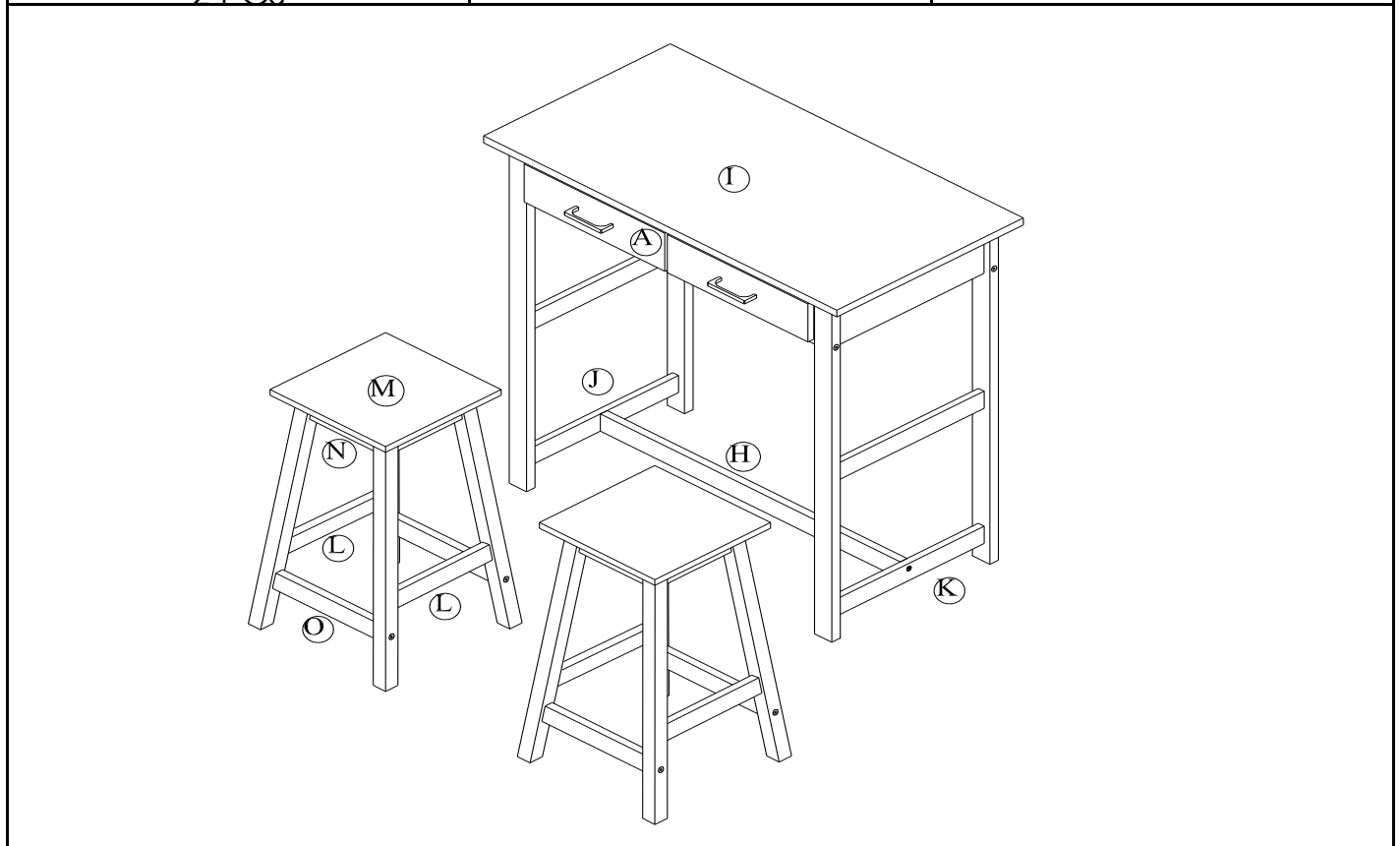
<p>G</p> 	<p>H</p> 	<p>I</p> 
<p>BACK RAIL 1 PC</p>	<p>STRETCHER 1 PC</p>	<p>TABLE TOP 1 PC</p>
<p>J</p> 	<p>K</p> 	<p>L</p> 
<p>LEFT SIDE PANEL 1 PC</p>	<p>RIGHT SIDE PANEL 1 PC</p>	<p>STOOL FRAME 4 PCS</p>
<p>M</p> 	<p>N</p> 	<p>O</p> 
<p>SEAT BOARD 2 PCS</p>	<p>APRON 4 PCS</p>	<p>SIDE STRETCHER 4 PCS</p>

3 PIECE PUB SET

DL7938W / DL7938B

PARTS LIST

<p>A</p> 	<p>B</p> 	<p>C</p> 
<p>DRAWER FRONT 2 PCS</p>	<p>DRAWER BACK 2 PCS</p>	<p>DRAWER LEFT SIDE PANEL 2 PCS</p>
<p>D</p> 	<p>E</p> 	<p>F</p> 
<p>DRAWER RIGHT SIDE PANEL 2 PCS</p>	<p>DRAWER BOTTOM PANEL 2 PCS</p>	<p>FRONT RAIL 1 PC</p>

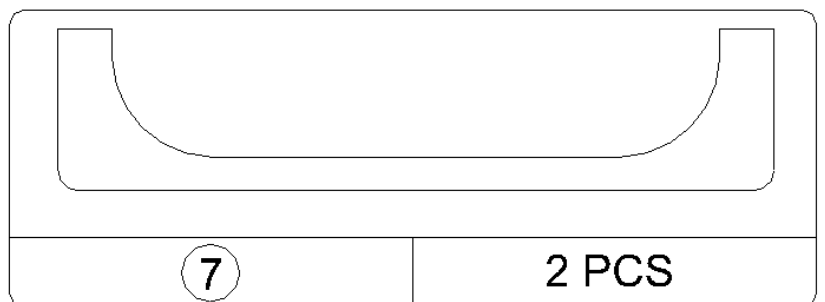
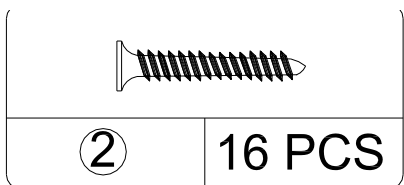
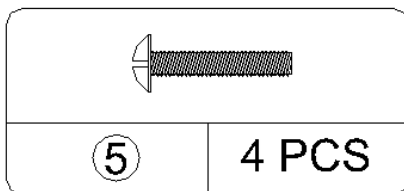
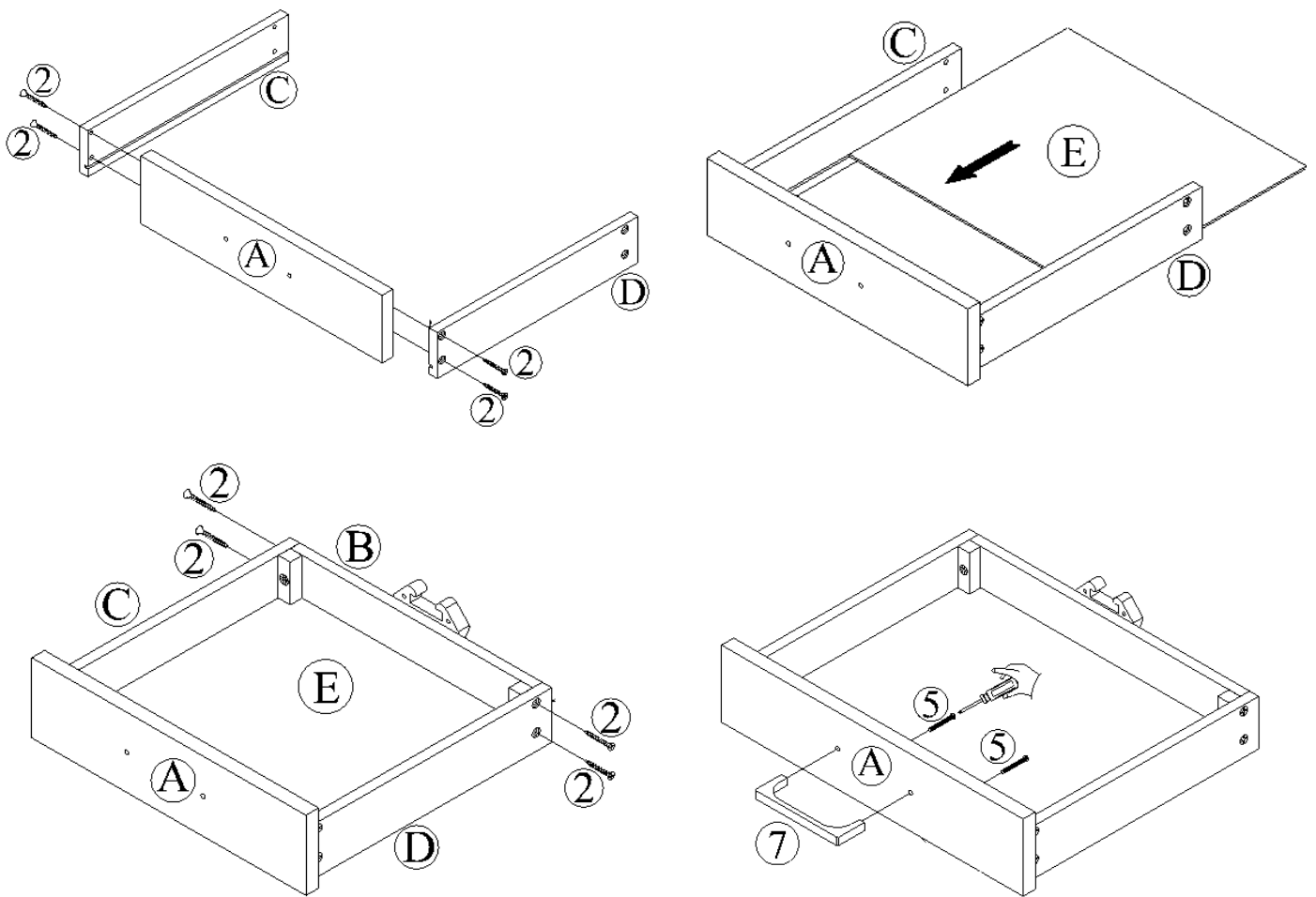


3 PIECE PUB SET

DL7938W / DL7938B

STEP 1:

Attach right and left drawer side (C & D) to drawer front (A) with flat head wood screws (2).
Slide drawer bottom panel (E) into the grooves of the drawer sides (C & D).
Attach drawer back (B) to right and left drawer sides (C & D) with flat head wood screws (2).
Attach handle (7) to drawer front (A) with round head bolts (5).
Use a Phillips head screwdriver (not included) to tighten the screws and bolts.
Repeat this step to assemble the other drawer.

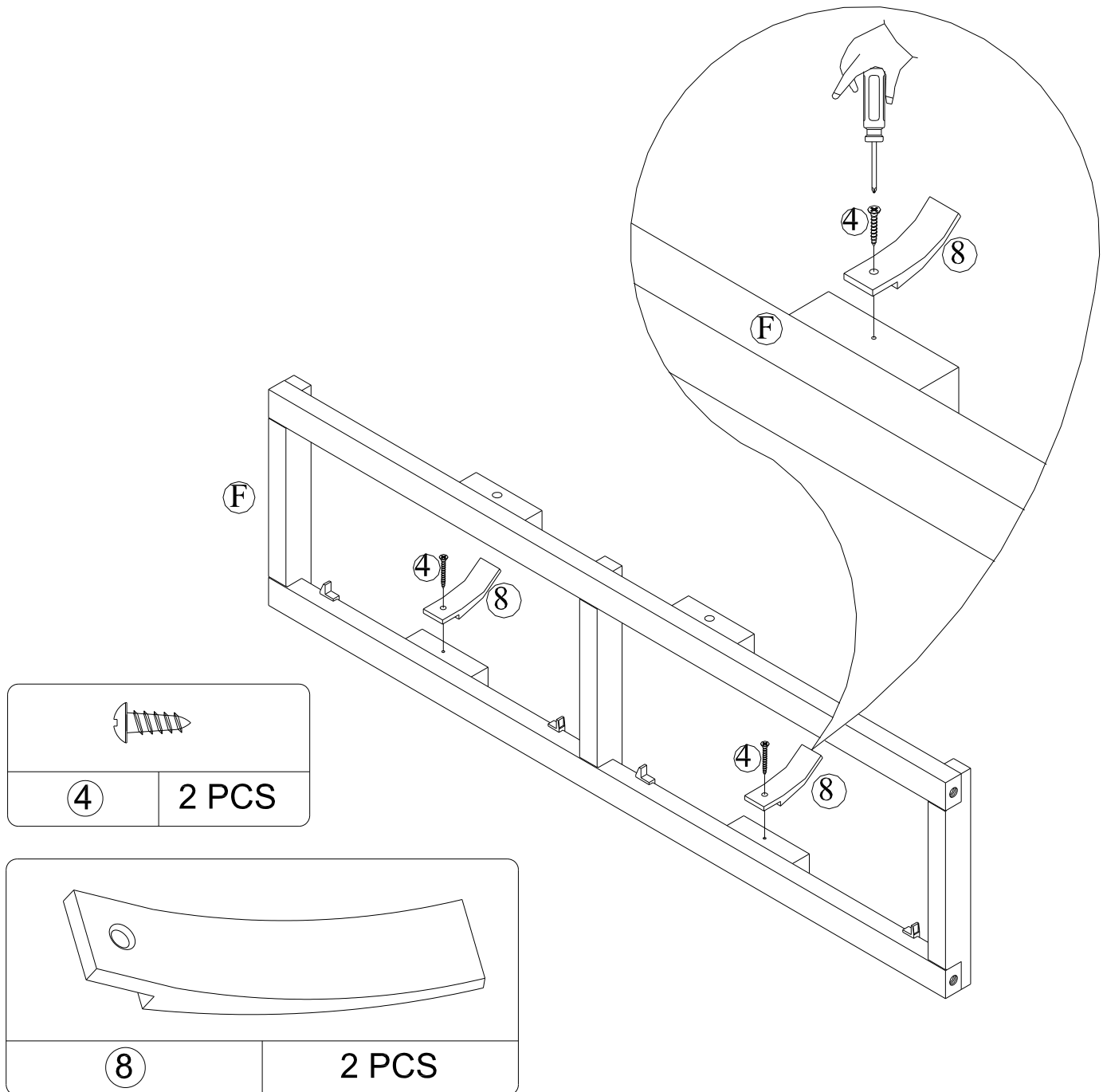


3 PIECE PUB SET

DL7938W / DL7938B

STEP 2:

Attach drawer stopper (8) to front rail (F) with round wood screws (4) using a Phillips head screwdriver (not included).

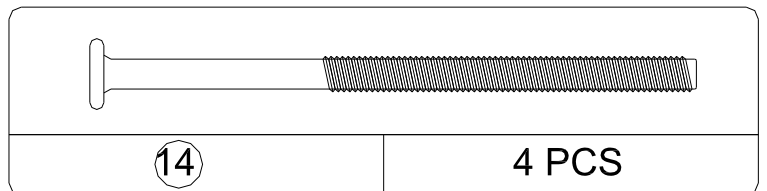
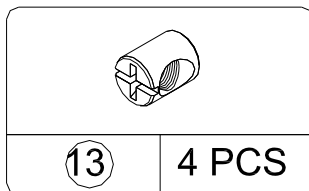
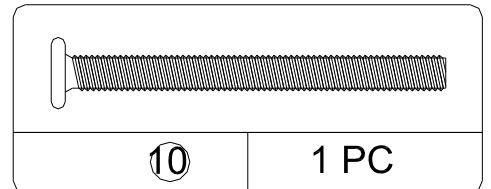
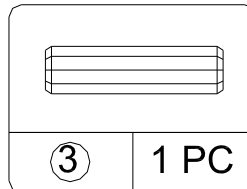
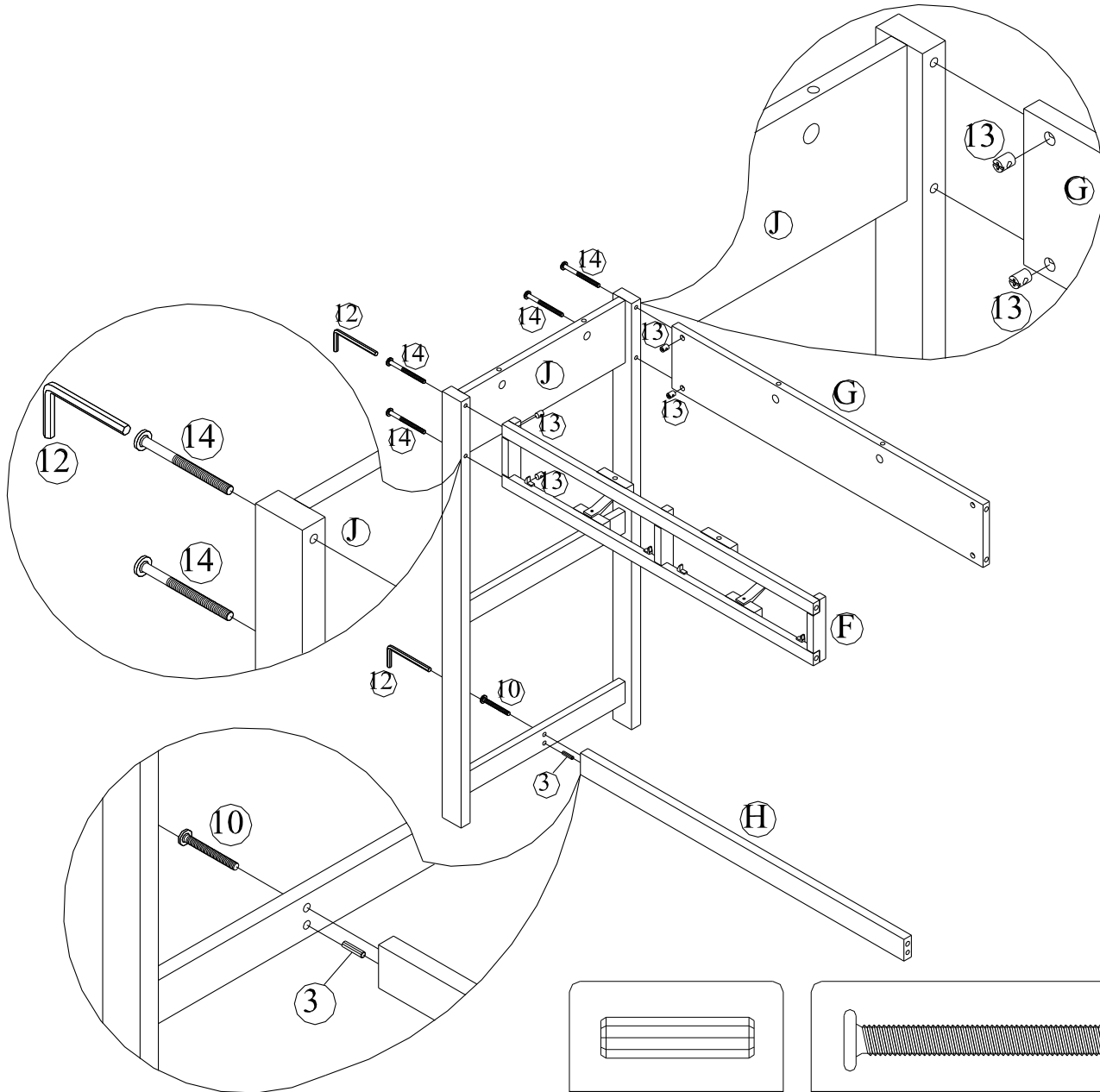


3 PIECE PUB SET

DL7938W / DL7938B

STEP 3:

Attach left side panel (J) to front rail (F) and back rail (G) with barrel nut (13) and bolts (14). Attach stretcher (H) to left side panel (J) with wood dowel (3) and bolts (10). Use Allen key (12) to tighten the bolts.

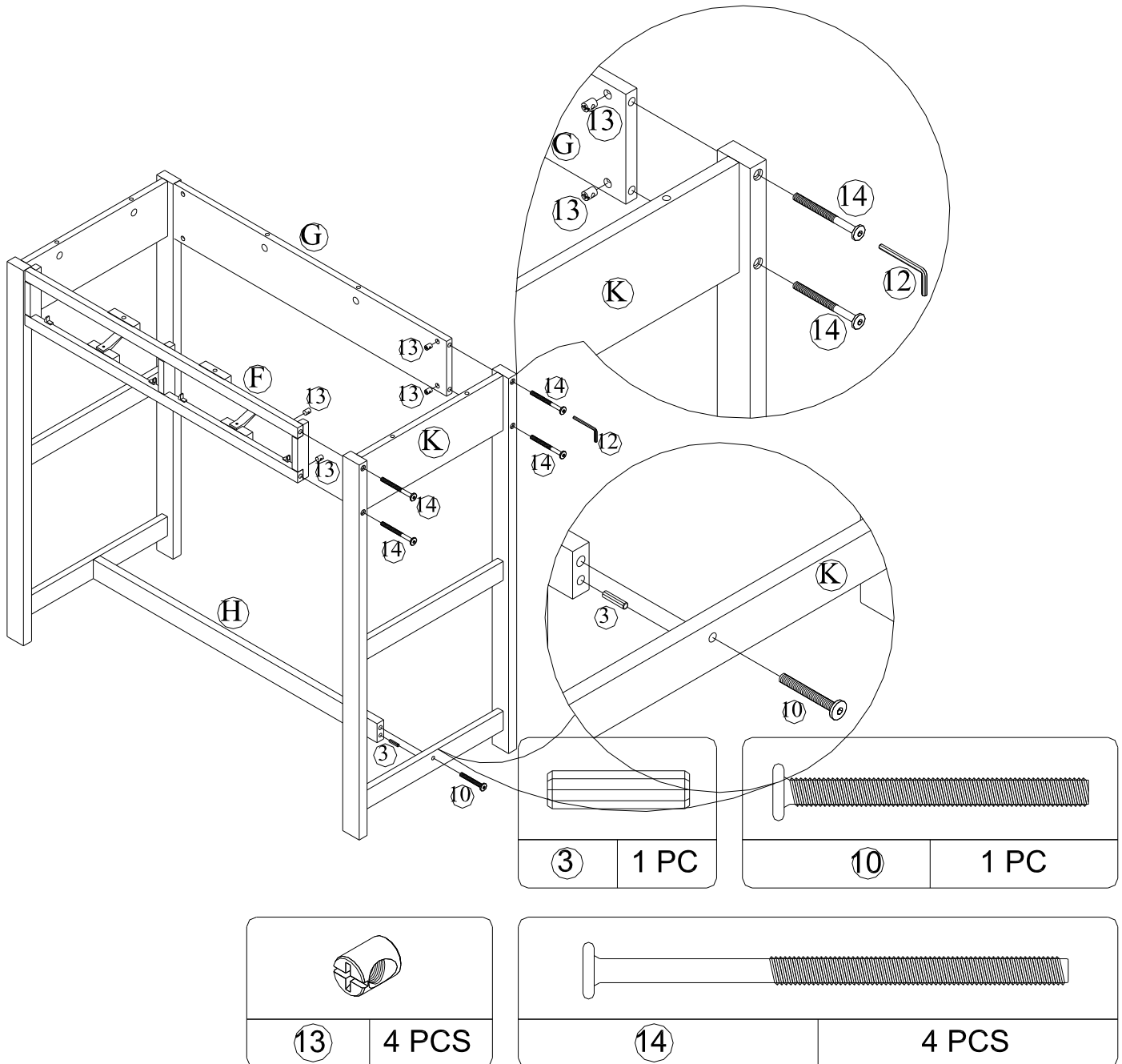


3 PIECE PUB SET

DL7938W / DL7938B

STEP 4

Attach right side panel (K) to front rail (F) and back rail (G) with barrel nut (13) and bolts (14). Attach stretcher (H) to right side panel (K) with wood dowel (3) and bolts (10). Use Allen key (12) to tighten the bolts.

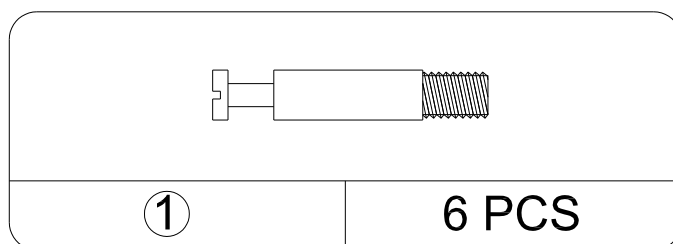
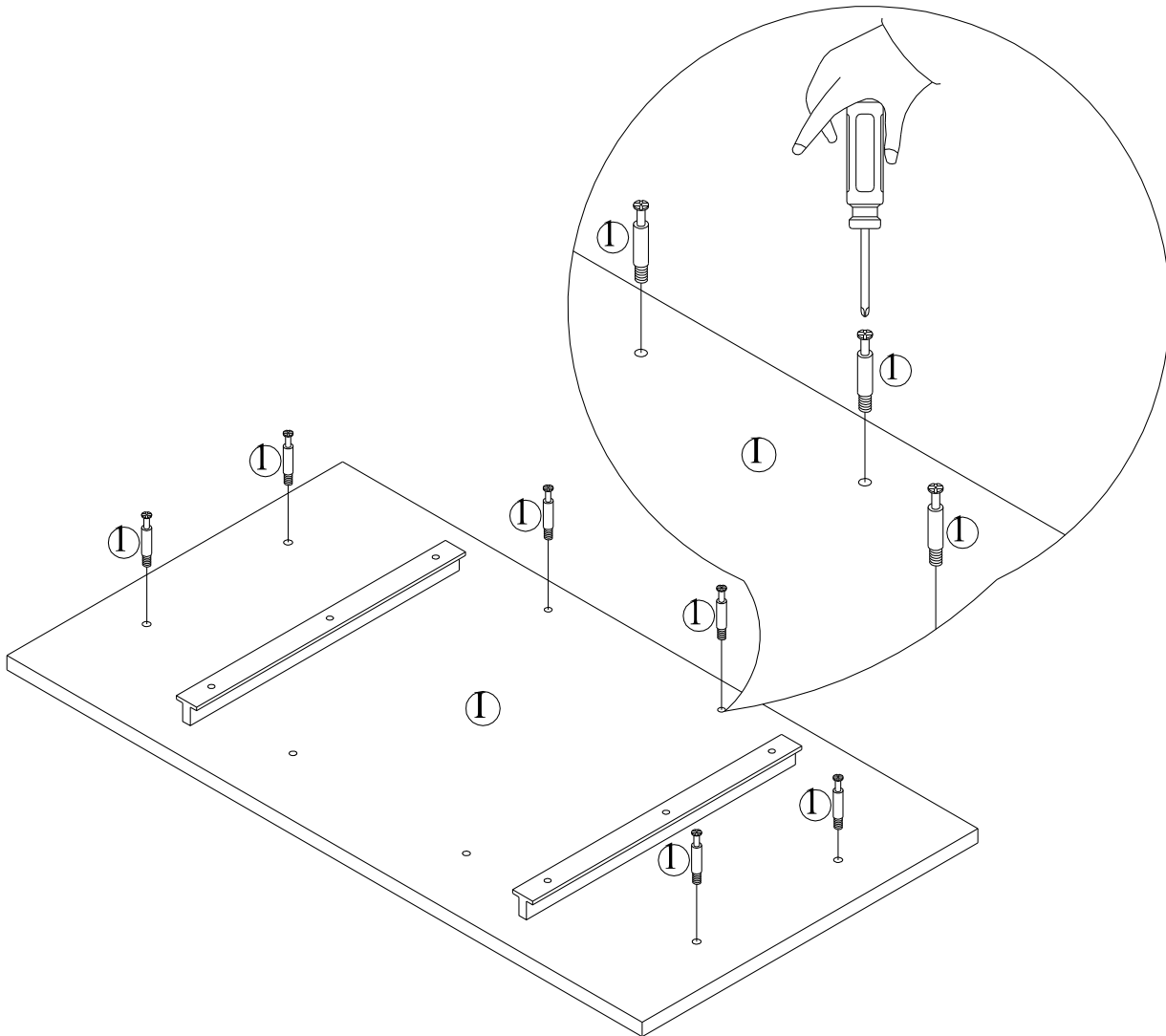


3 PIECE PUB SET

DL7938W / DL7938B

STEP 5:

Insert cam bolts (1) to table top (I) with a Philips head screwdriver (not included).

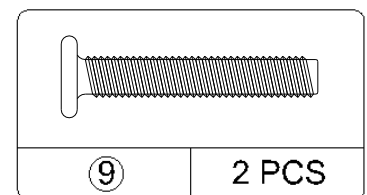
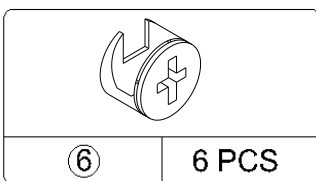
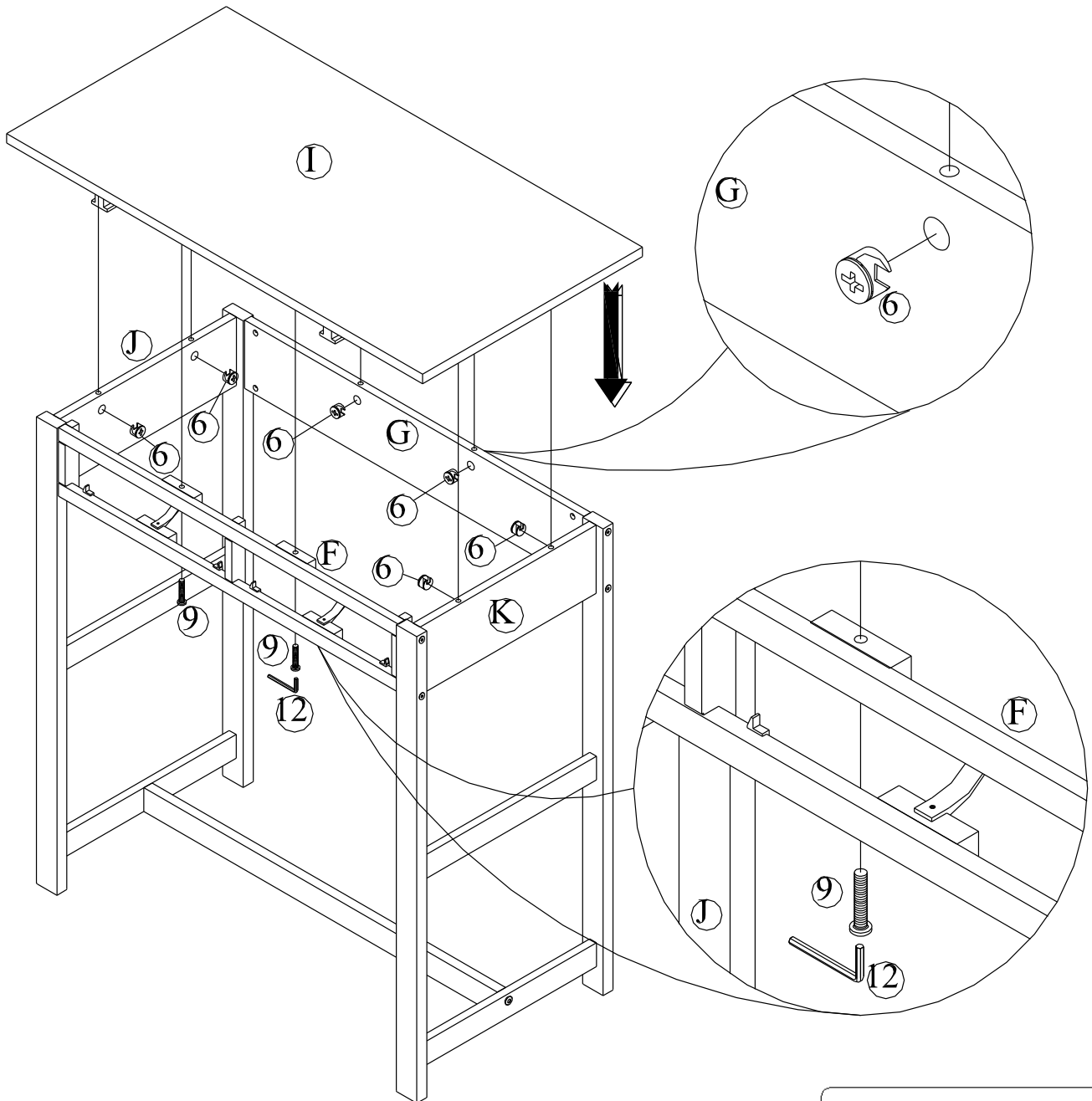


3 PIECE PUB SET

DL7938W / DL7938B

STEP 6:

Attach table top (I) to left and right side panel (J & K) and back rail (G) with cam lock (6) by rotating the cam lock 1/2 turn using the Philips screwdriver (not included).
Further secure the table top (I) to front rail (F) with bolts (9) as shown below.
Use Allen key (12) to tighten the bolts.

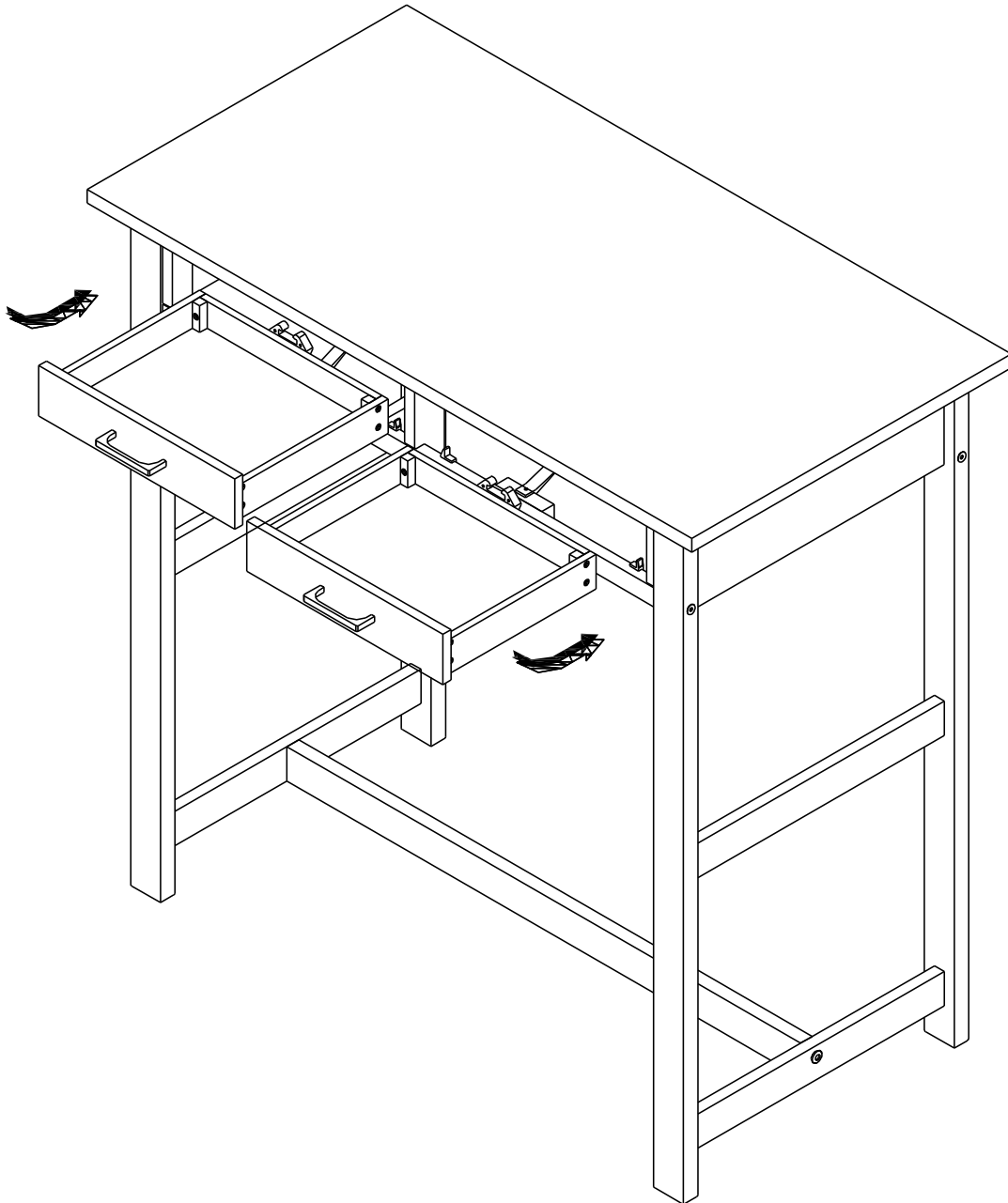


3 PIECE PUB SET

DL7938W / DL7938B

STEP 7:

Insert the drawers into the unit as shown.
You've completed assembly of the table.

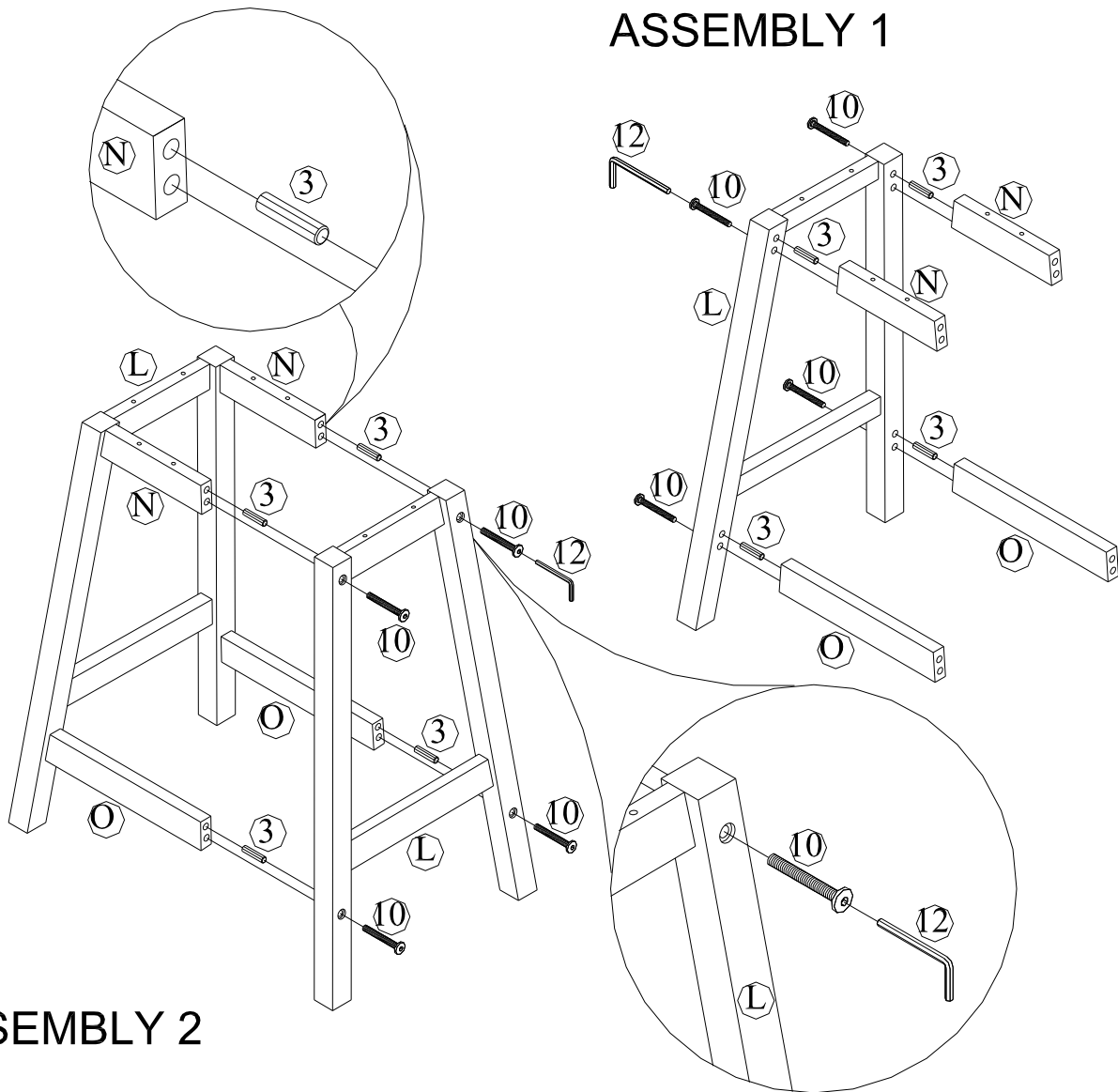


3 PIECE PUB SET

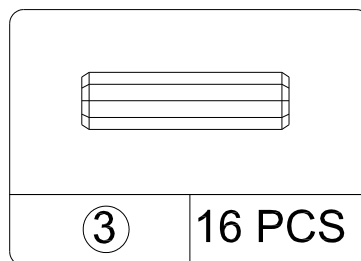
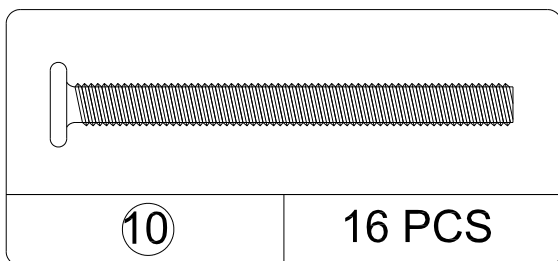
DL7938W / DL7938B

STEP 8:

Attach aprons (N) and stretchers (O) to stool frames (L) with wood dowel (3) and bolts (10) as shown using Allen key (12).



ASSEMBLY 2



3 PIECE PUB SET

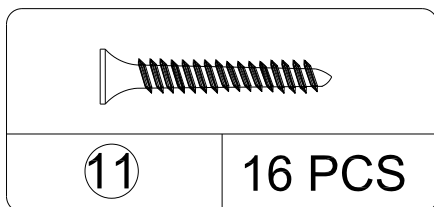
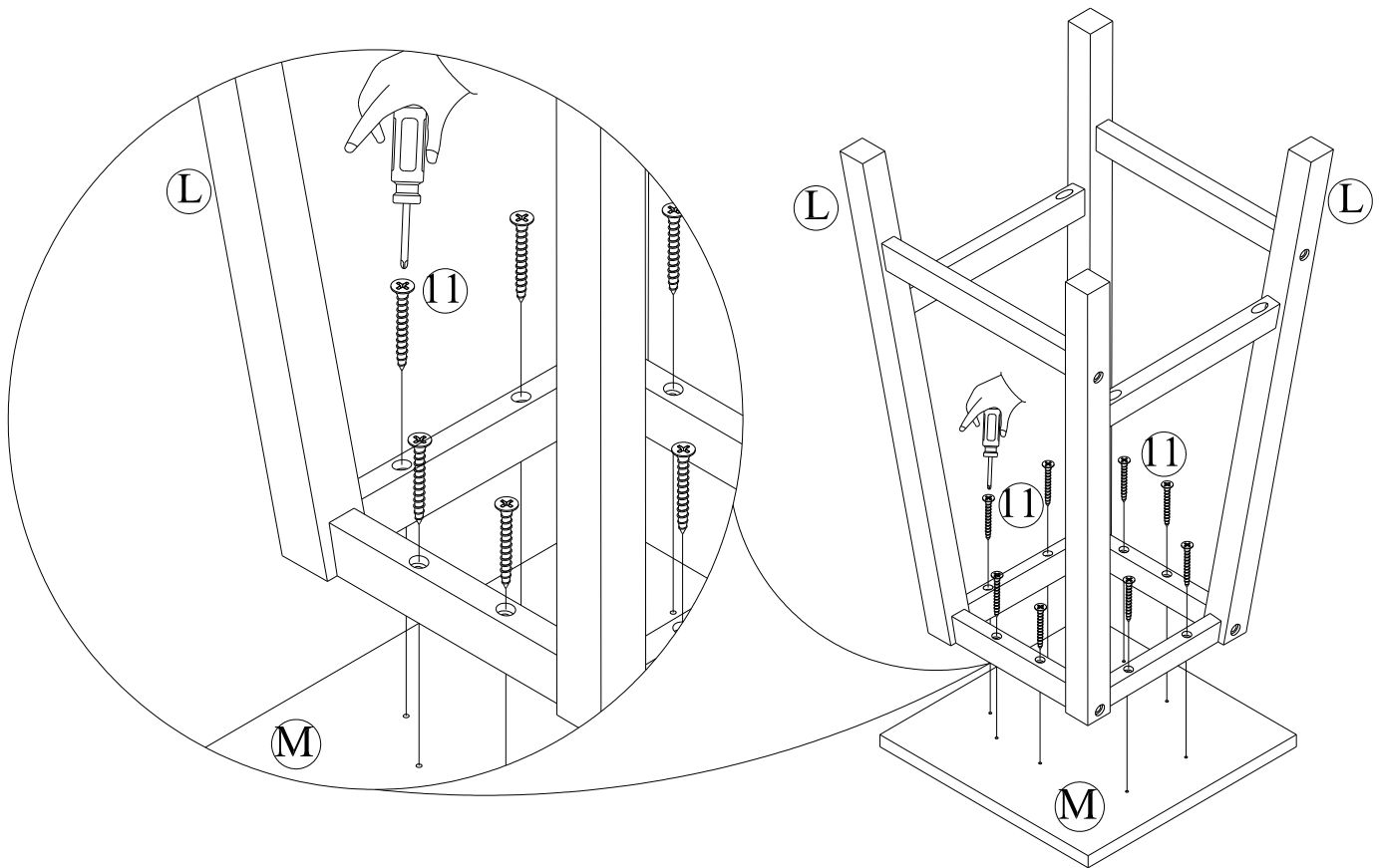
DL7938W / DL7938B

STEP 9:

Attach the assembled unit to seat board (M) with flat head wood screws (11) using a Phillips head screwdriver (not included).

Repeat the step to assemble the other stool.

NOTE: The screws will make their own holes. Do not use power tools to tighten the screws.

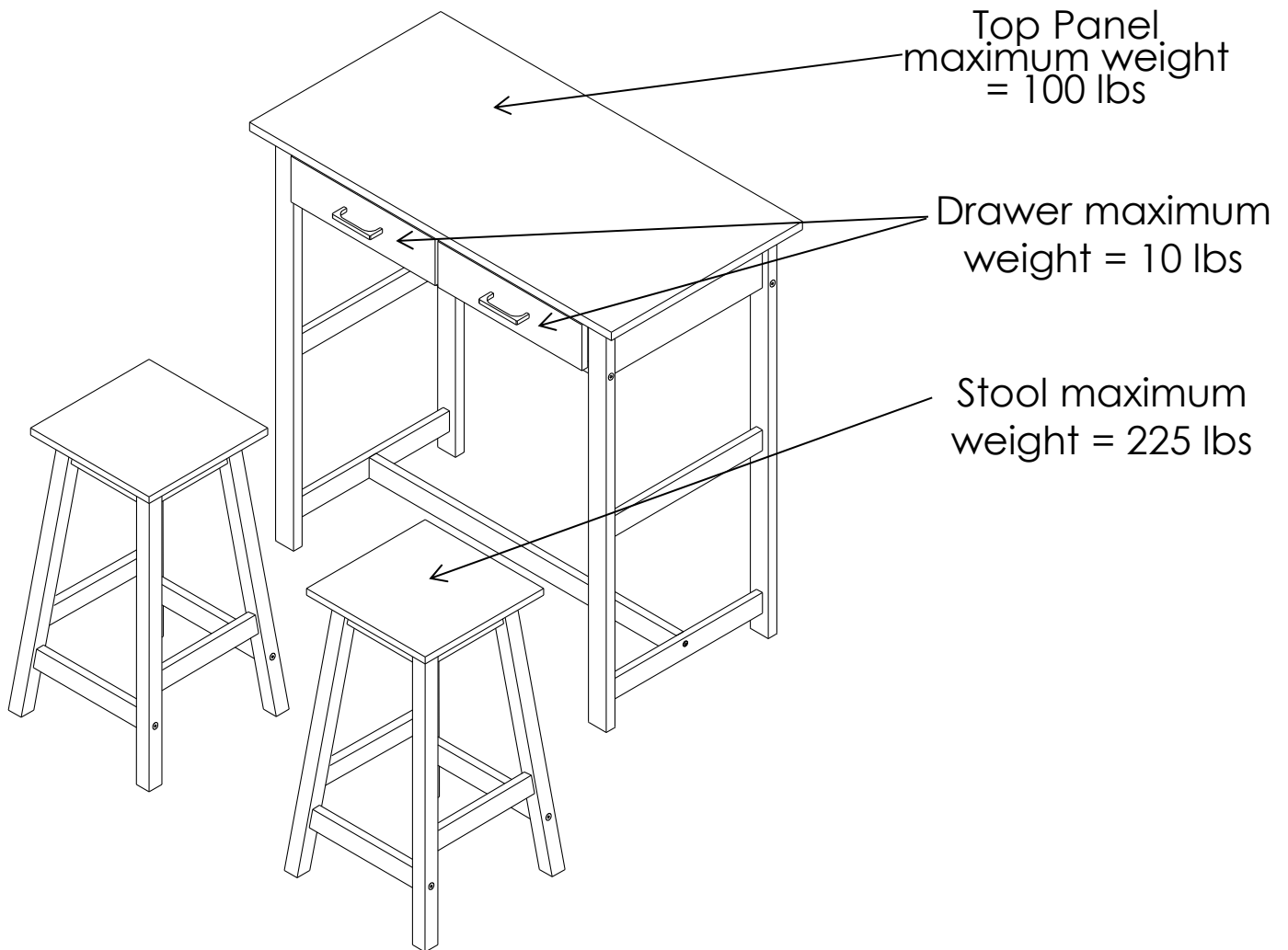


3 PIECE PUB SET

DL7938W / DL7938B



CAUTION: This unit is intended for use only with the products and/or maximum weights indicated. Use with other products and/or products heavier than the maximum weights indicated may result in instability or cause possible injury.



DO NOT RETURN PRODUCT TO THE STORE.

If a part is missing or damaged, contact our customer service department. We will replace the part **FREE** of charge.



Tel #: 1-800-295-1980
E-Mail: das@dorel.com
Fax #: 514-353-7819

Customer Service

PLEASE DO NOT RETURN THIS PRODUCT TO THE STORE

PLEASE CONTACT CUSTOMER SERVICE REPRESENTATIVES AT THE FOLLOWING NUMBERS SHOULD THERE BE ANY MISSING OR DEFECTIVE PART(S).

Customer Service Phone Number 1-800-295-1	Email: das@dorel.com
Customer Service Fax Number 514-353-7819	

Request Date:

Name:

Shipping Address:

Street & Number:

City & State:

Zip Code:

Day Time Phone Number:

(including area code)

Date & Place of Purchase:

Part(s) description and quantity (Please be sure to list model number or SKN num