

Examine all packaging material for small parts that may have come loose during shipment. Periodic checks are recommended to insure that all components are in proper position, tight and free from damage. Keep this assembly instruction for future reference. Adult assembly is required. The product of Hillsdale Furniture, LLC is designed for residential use only. Customer Service Phone Number: 502-562-0000






HDFBP

HARDWARE LIST

- A (8) M6 x 60mm Allen Bolts
- B (8) Spring Washers
- C (8) 20mm Flat Washers
- D (8) 45mm Pan Head Screws
- E (1) Allen Wrench

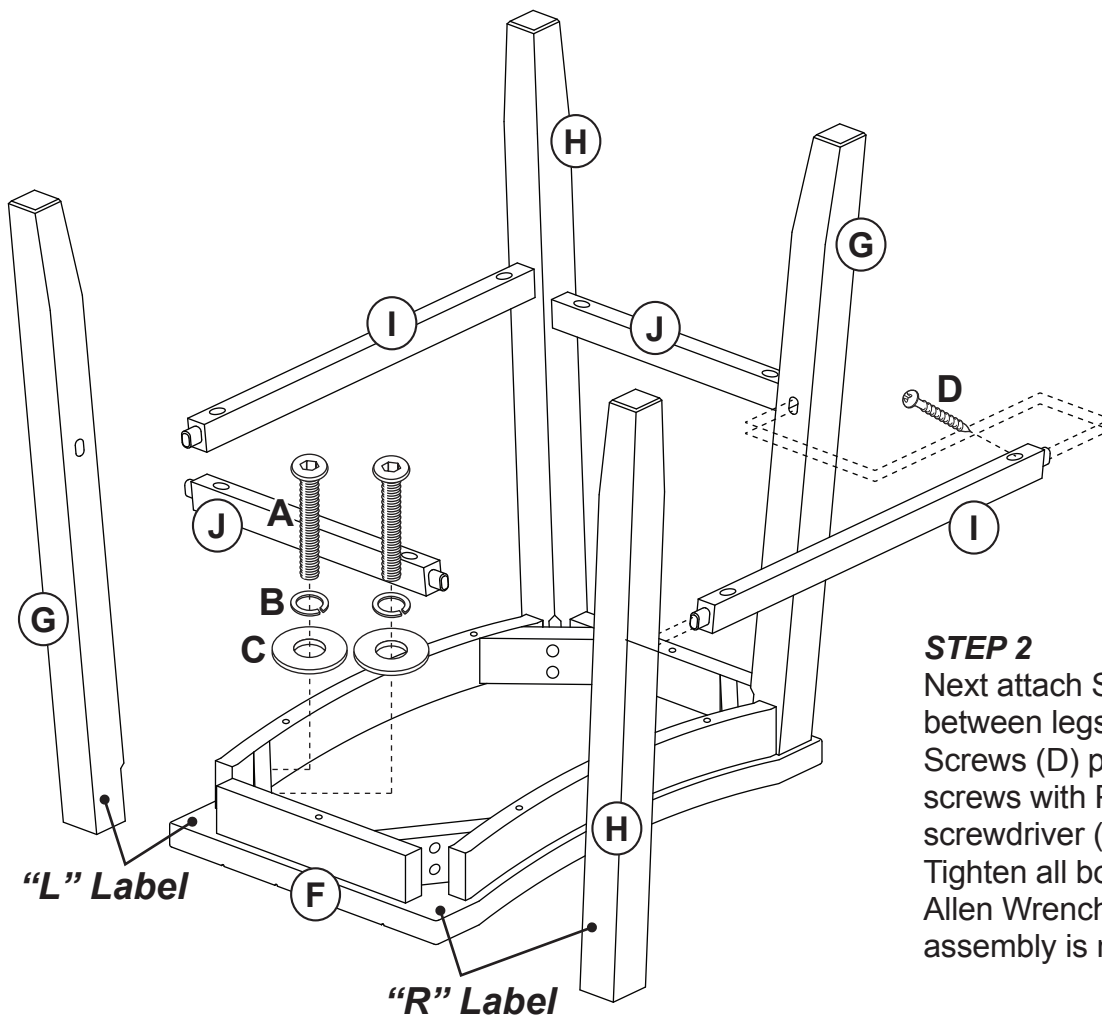
PARTS LIST

- F (1) Seat Base
- G (2) Left Legs
- H (2) Right Legs
- I (2) Front Stretchers
- J (2) Side Stretchers

PART	QTY	HARDWARE	PART	QTY	HARDWARE
A	8		B	8	
C	8		D	8	
E	1				

STEP 1

Begin assembly by attaching Legs (G & H) to Seat Base (F) using 2 Allen Bolts (A), 2 Spring Washers (B) and 2 Flat Washers (C) per leg.


STEP 2

Next attach Stretchers (I & J) in between legs using 2 Wood Screws (D) per stretcher. Tighten screws with Philips head screwdriver (not included). Tighten all bolts from step 1 with Allen Wrench (E) provided. The assembly is now complete.