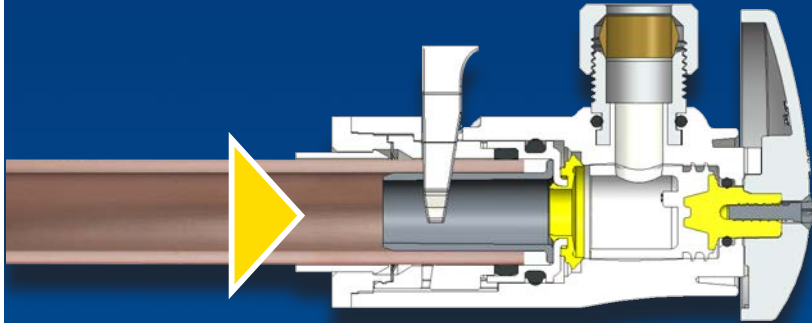


# BrassCraft®

## The Next Generation Water Valve

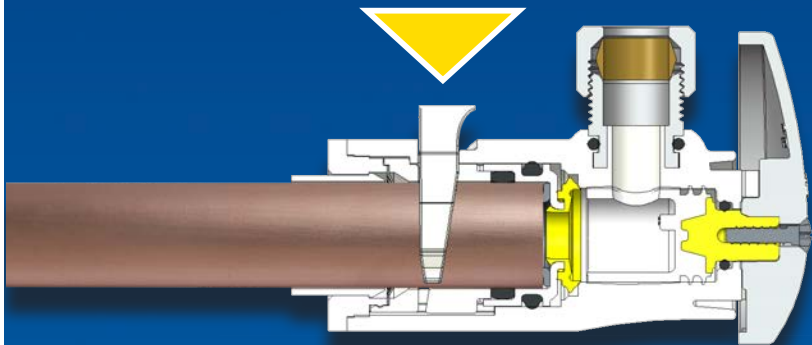
### SURE CONNECT® 1/4 TURN VALVE



#### PUSH

#### Insert the Tube

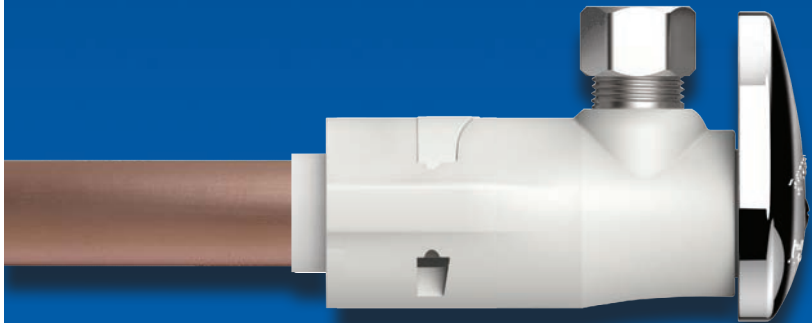
No pre-marking pipes required! The verification clip will not engage until the pipe is correctly aligned and the valve is pushed on properly. This is especially advantageous in tight, confined spaces where visibility and mobility are limited.



#### LOCK

#### Push the Verification Clip

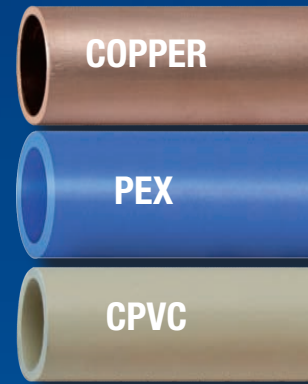
The audible “click” will confirm that the connection is secure and leak-free.



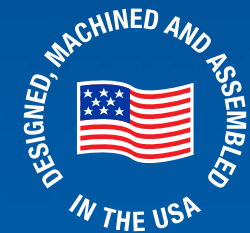
#### DONE

#### You're Done!

It's that easy!



Rotation resistant  
connection for copper,  
PEX and CPVC



# BrassCraft®

## The Next Generation Water Valve

### SURE CONNECT® 1/4 TURN VALVE

Push Connect  
with NEW VERIFICATION  
TECHNOLOGY

UNIQUE VERIFICATION CLIP

EASY TO INSTALL

ADVANCED ENGINEERED POLYMER

ROTATION RESISTANT

COMPATIBLE WITH ALL COMMON TUBE TYPES

BRASSCRAFT QUALITY

AMERICAN PRIDE

You can hear, see and feel the secure connection. This new fail-safe technology has been aggressively tested.

No special tools required or measuring and marking of pipe. No sweating, crimping or gluing mess.

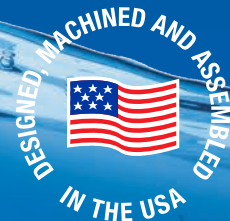
Designed for strength and durability with superior resistance to corrosive elements and harsh chemicals. Heavily tested to endure extreme water pressure and intense compression.

Once installed, the valve will not rotate during handle operation.

Compatible with copper, CPVC and PEX. One valve to meet the needs of any job.

100% leak tested.

BrassCraft® is proud to design, machine and assemble the Sure2Connect valve in the U.S.A.



 **No Lead**

