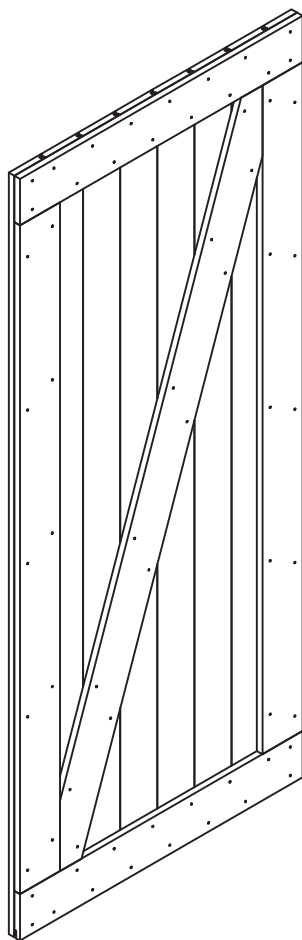


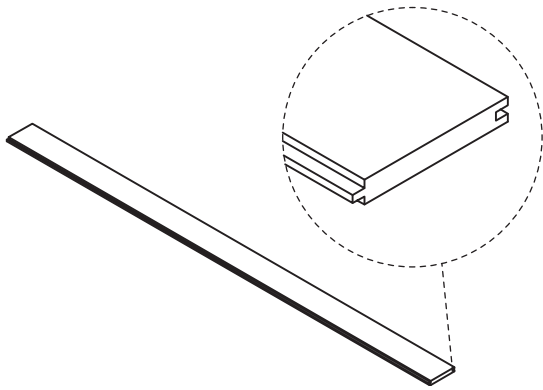
## CARE INSTRUCTIONS

Thank you for choosing northbeam<sup>tm</sup> FARM STYLE SLIDING DOOR. With a little care and maintenance, the northbeam<sup>tm</sup> FARM STYLE SLIDING DOOR will provide you with comfort and enjoyment for many years to come!

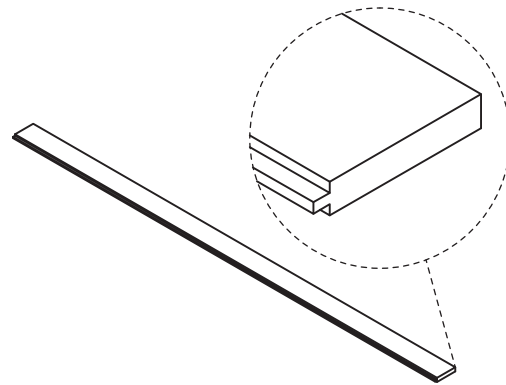
- To clean panels, use clean water on a damp cloth.
- When assembling northbeam<sup>tm</sup> FARM STYLE SLIDING DOOR, please handle all the panels and/or hardware with care to avoid any possibilities of damages and/or injuries.



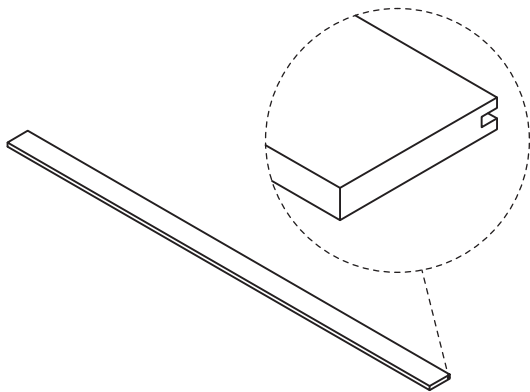
NOTE: Please read all instructions carefully before starting assembly. Also, we recommend that the unit is fully assembled on a level surface. Two people are recommended to assemble this product. DO NOT over torque screws and bolts.



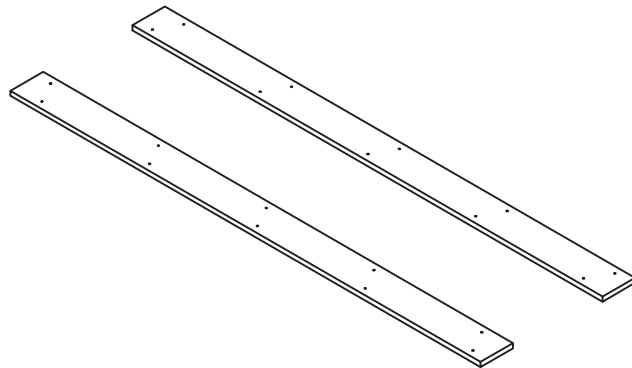
**1** INTERIOR VERTICAL SLATS X **6PCS**



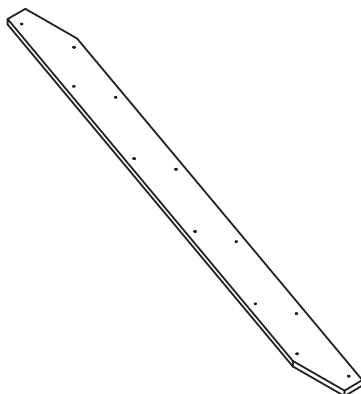
**2** RIGHT SIDE END SLAT X **1PC**



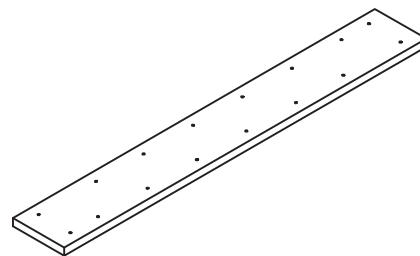
**3** LEFT SIDE END SLAT X **1PC**



**4** RAISED FRAME, SIDES X **2PCS**



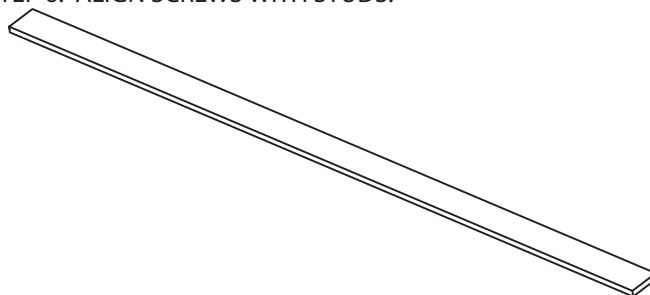
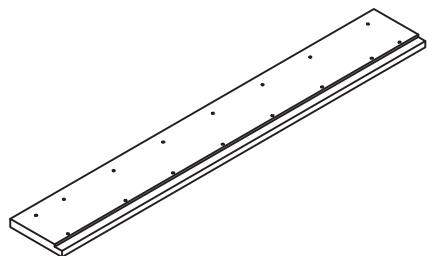
**5** RAISED FRAME DIAGONAL X **1PC**



**6** RAISED FRAME, TOP X **1PC**

NOTE: Please read all instructions carefully before starting assembly.  
 Also, we recommend that the unit is fully assembled on a level surface.  
 Two people are recommended to assemble this product.  
 DO NOT over torque screws and bolts.

NOTE: IF THE SELECTED WALL/ DOORWAY INCLUDES TRIM, ATTACH PART 8 TO THE WALL (ABOVE DOOR TRIM) PRIOR TO STEP 6. ALIGN SCREWS WITH STUDS.



**7**

RAISED FRAME, BOTTOM

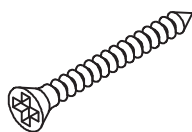
X **1PC**

**8**

WALL MOUNTING STRIP

X **1PC**

A \_\_\_\_\_

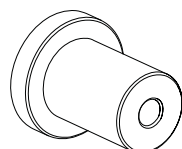


3.5X30

\_\_\_\_\_

**64+1PCS**

\_\_\_\_\_

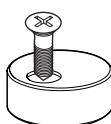


RAILE SPACER

\_\_\_\_\_

**5PCS**

\_\_\_\_\_



DOOR TOP BUMPER

\_\_\_\_\_

**2PCS**

\_\_\_\_\_

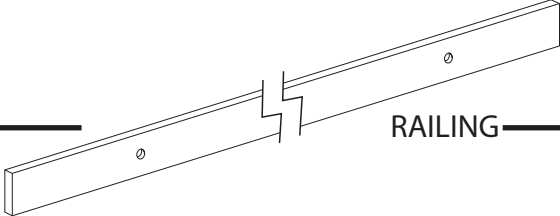
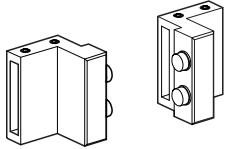
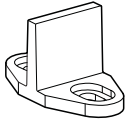

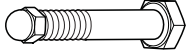


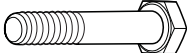
ARM ROLLERS

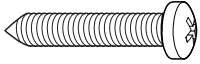
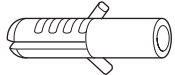

\_\_\_\_\_

**2PCS**

NOTE: Please read all instructions carefully before starting assembly. Also, we recommend that the unit is fully assembled on a level surface. Two people are recommended to assemble this product. DO NOT over torque screws and bolts.

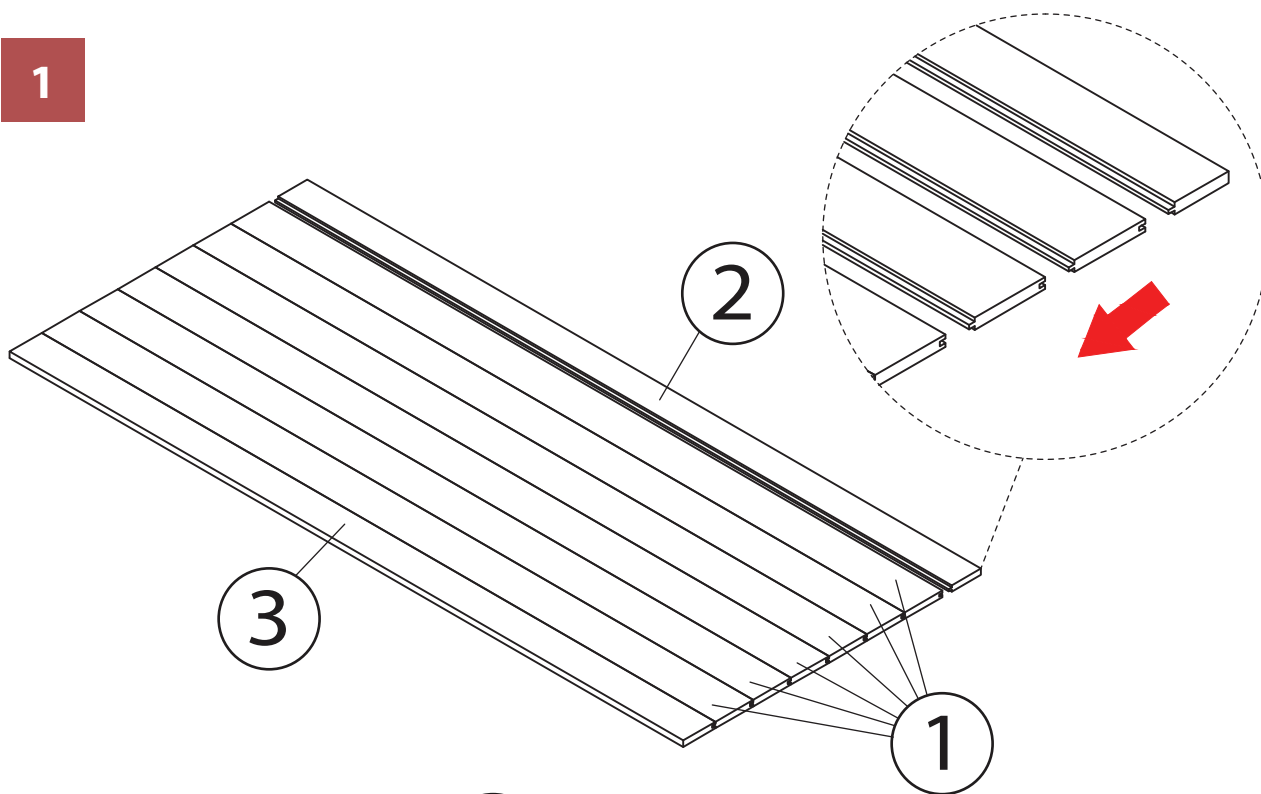
- 
**RAILING**
**1PC**
- 
**RAILING ENDS**
**2PCS**
- 
**FLOOR DOOR GUIDE**
**1PC**
- 
**SCREW M8x90**
**5PCS**
- 
**BOLT M10x55**
**4PCS**

(FOR 35-40mm DOOR)
- 
**BOLT M10x60**
**4PCS**

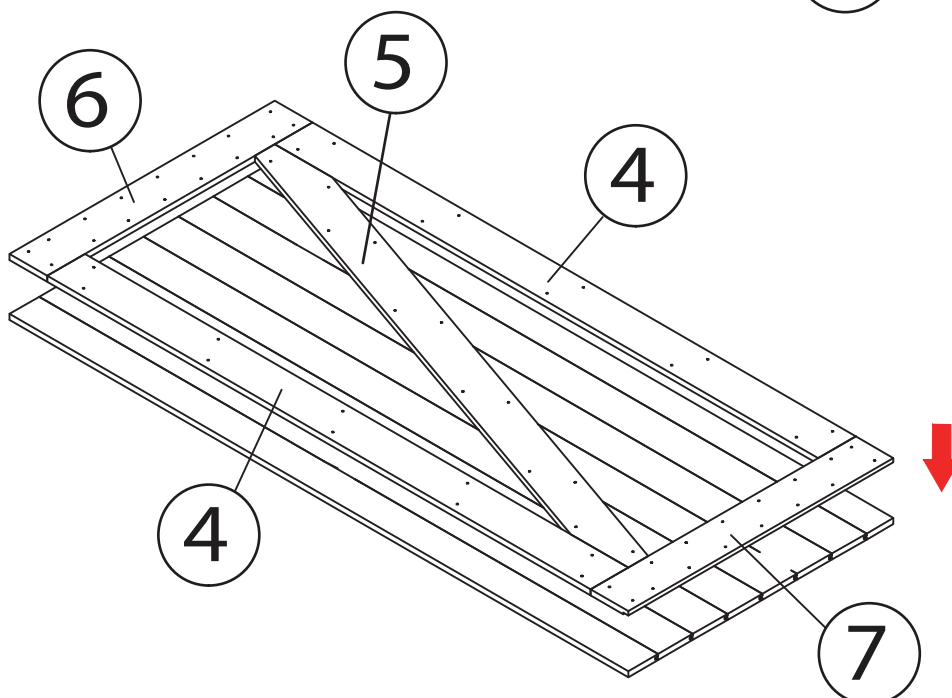
(FOR 40-45mm DOOR)
- 
**SCREW ST4. 2x25**
**2PCS**
- 
**WALL SCREW ANCHOR Ø8**
**2PCS**
- 
**ALLEN KEY**
**1PC**

**NOTE:** Please read all instructions carefully before starting assembly. Also, we recommend that the unit is fully assembled on a level surface. Two people are recommended to assemble this product. **DO NOT** over torque screws and bolts.

1

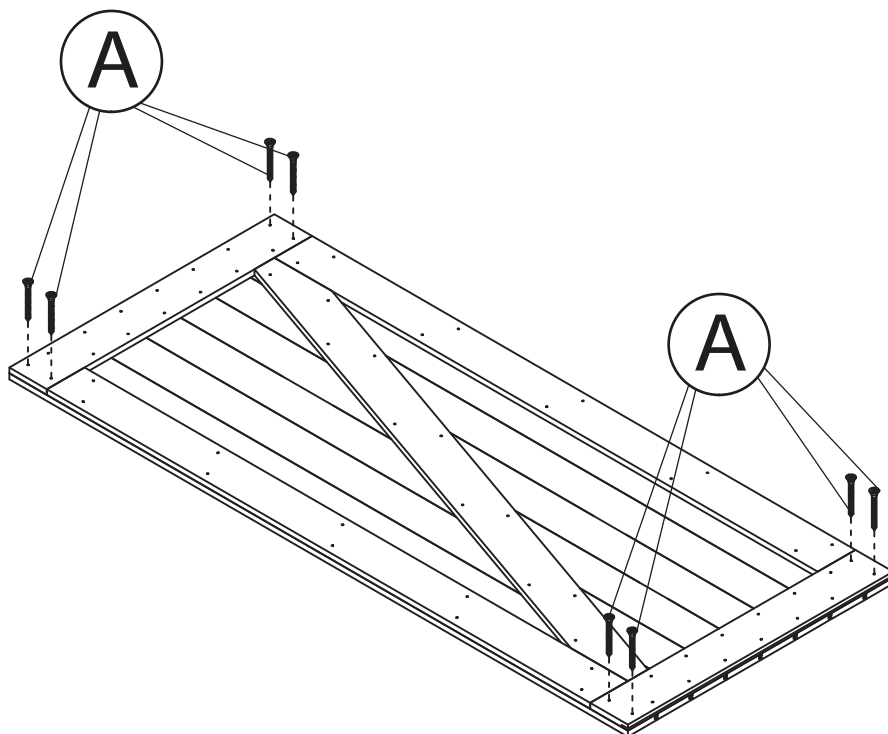


2

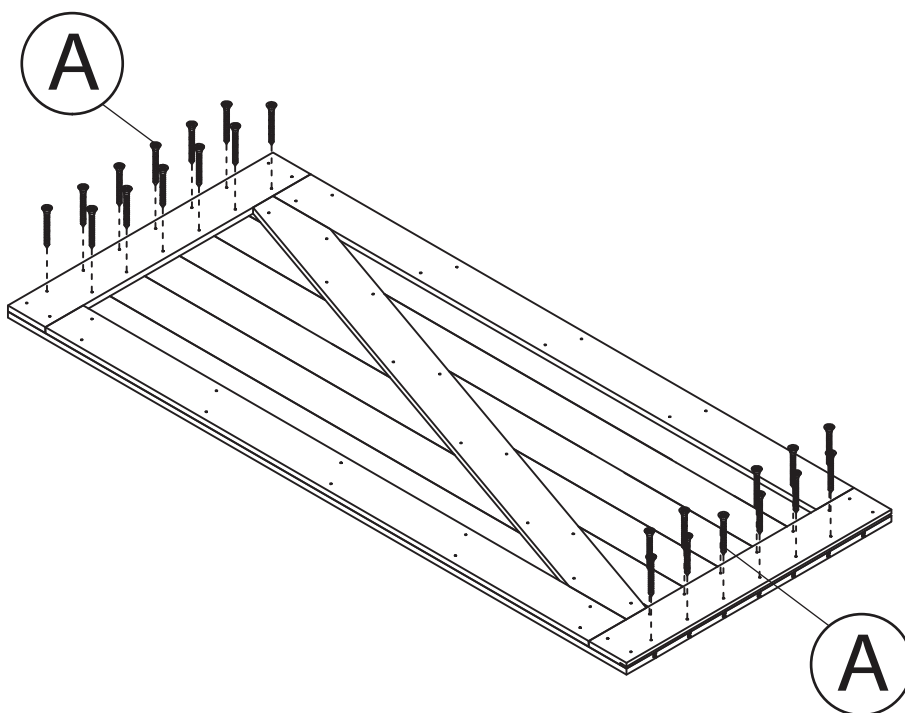


NOTE: Please read all instructions carefully before starting assembly.  
 Also, we recommend that the unit is fully assembled on a level surface.  
 Two people are recommended to assemble this product.  
 DO NOT over torque screws and bolts.

3

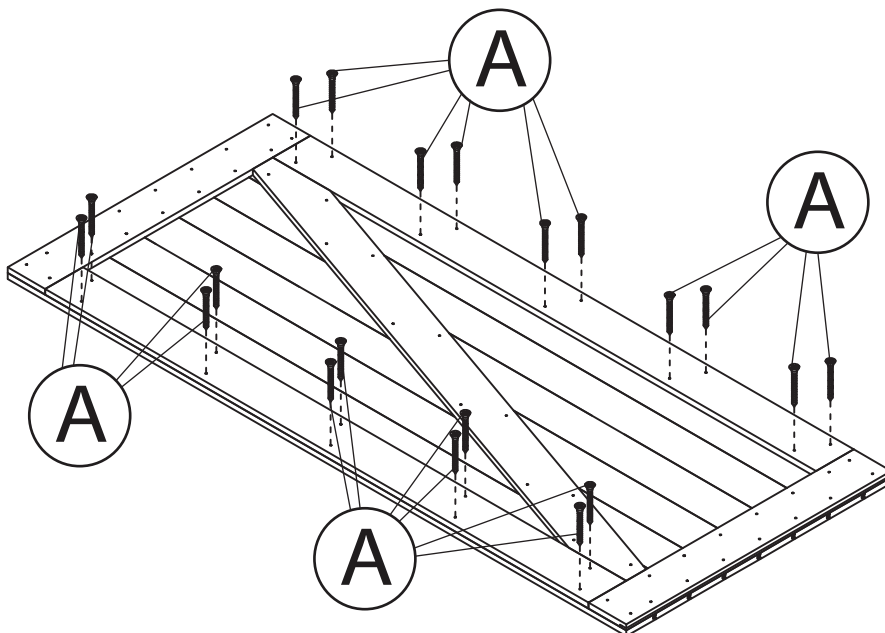


4

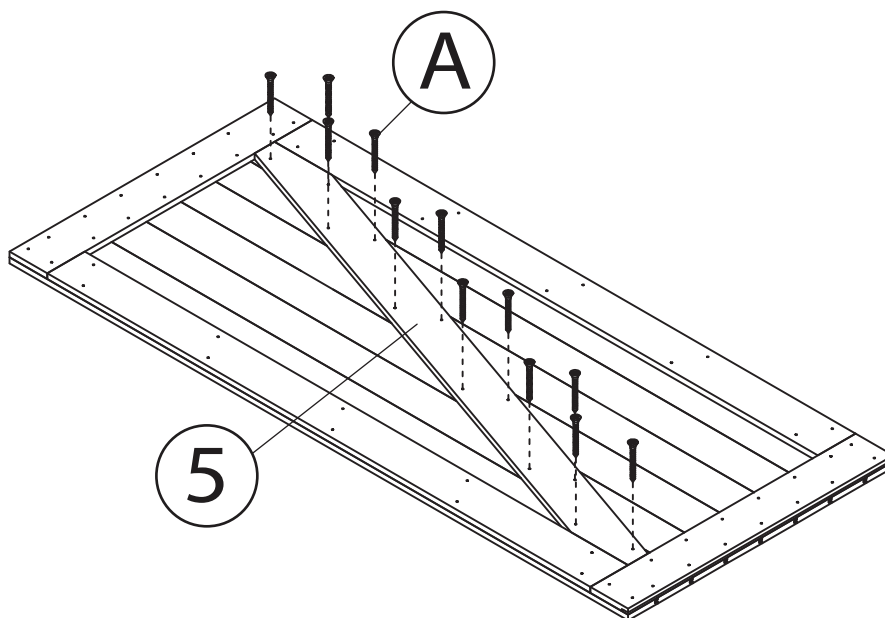


NOTE: Please read all instructions carefully before starting assembly.  
Also, we recommend that the unit is fully assembled on a level surface.  
Two people are recommended to assemble this product.  
DO NOT over torque screws and bolts.

5



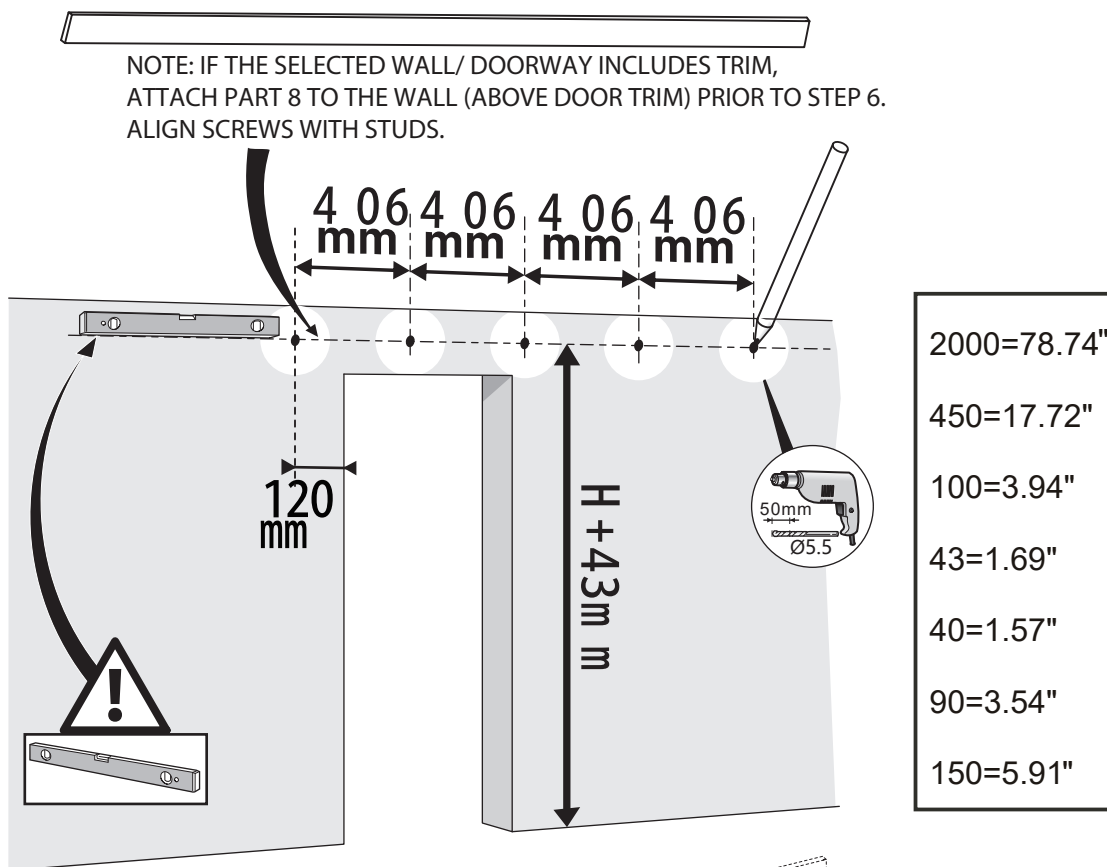
6



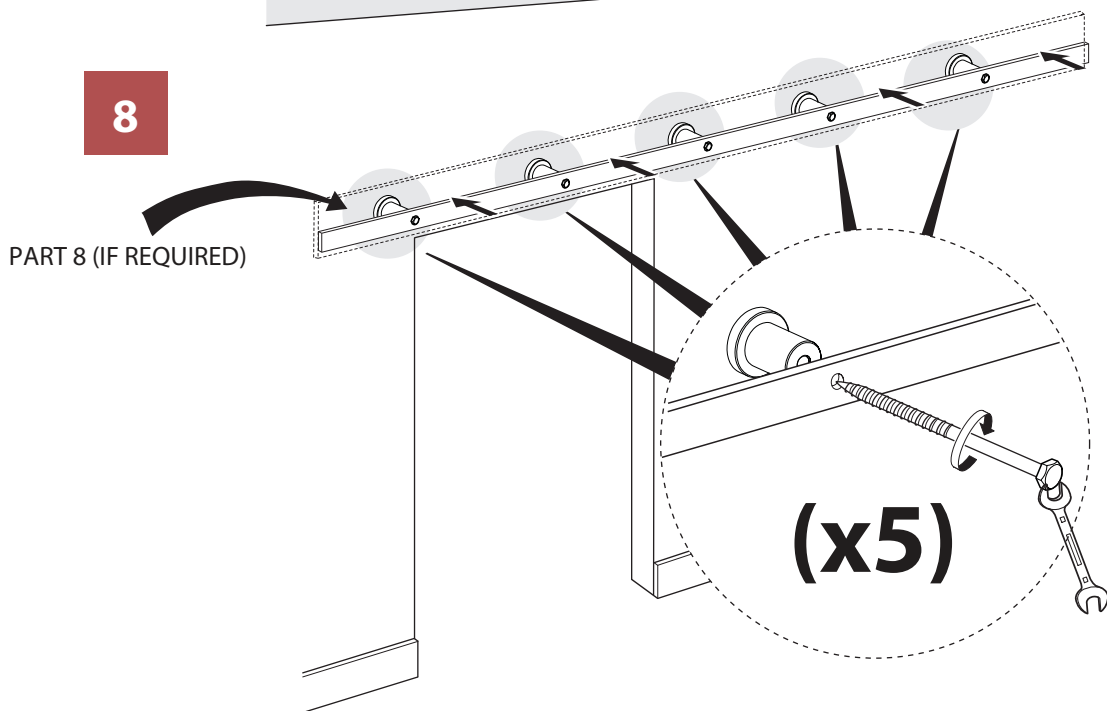
NOTE: Please read all instructions carefully before starting assembly. Also, we recommend that the unit is fully assembled on a level surface. Two people are recommended to assemble this product. DO NOT over torque screws and bolts.

7

NOTE: IF THE SELECTED WALL/ DOORWAY INCLUDES TRIM, ATTACH PART 8 TO THE WALL (ABOVE DOOR TRIM) PRIOR TO STEP 6. ALIGN SCREWS WITH STUDS.



8

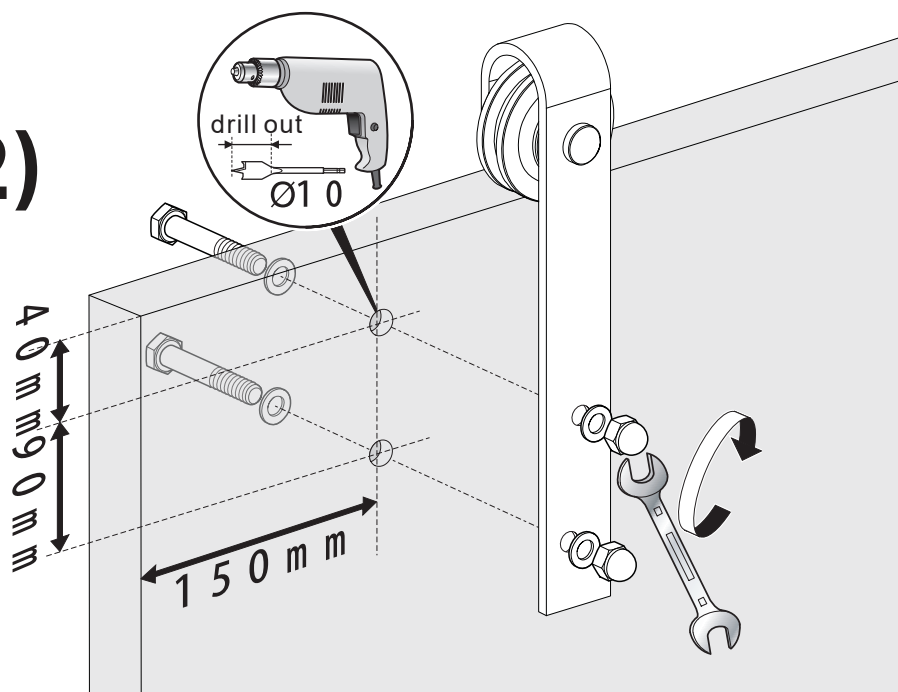


NOTE: Please read all instructions carefully before starting assembly. Also, we recommend that the unit is fully assembled on a level surface. Two people are recommended to assemble this product. DO NOT over torque screws and bolts.



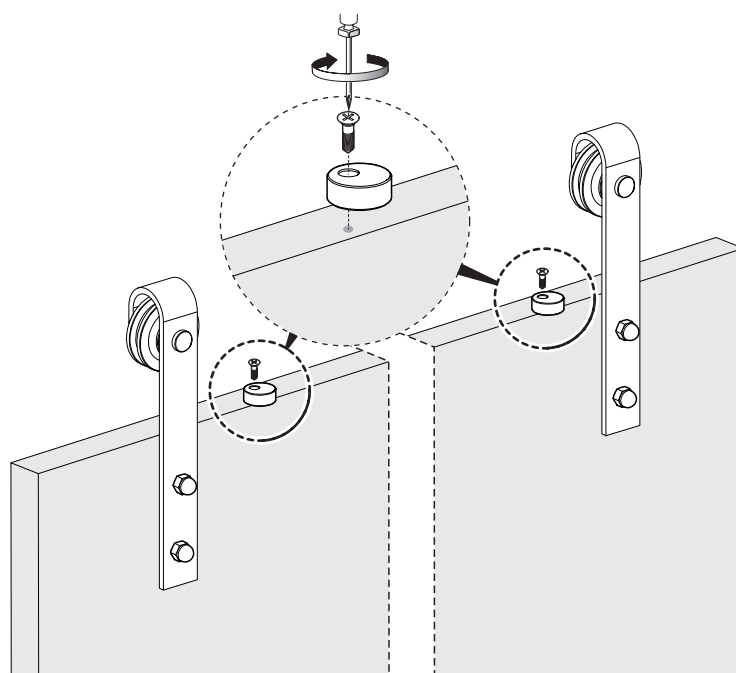
9

(x2)



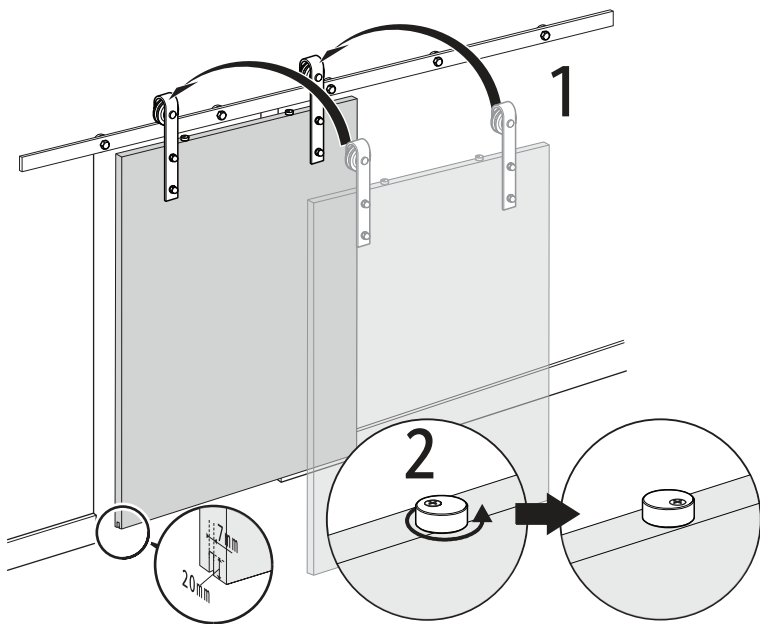
10

(x2)

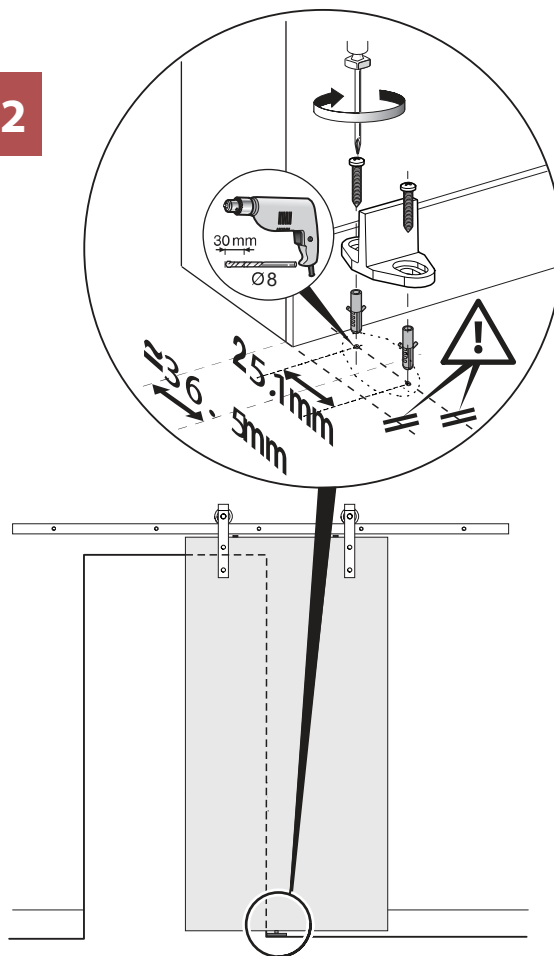


NOTE: Please read all instructions carefully before starting assembly.  
Also, we recommend that the unit is fully assembled on a level surface.  
Two people are recommended to assemble this product.  
DO NOT over torque screws and bolts.

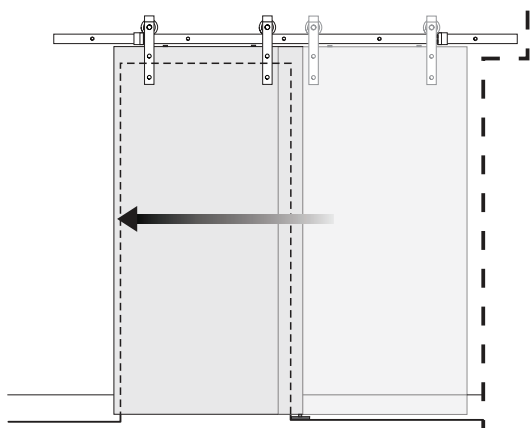
11



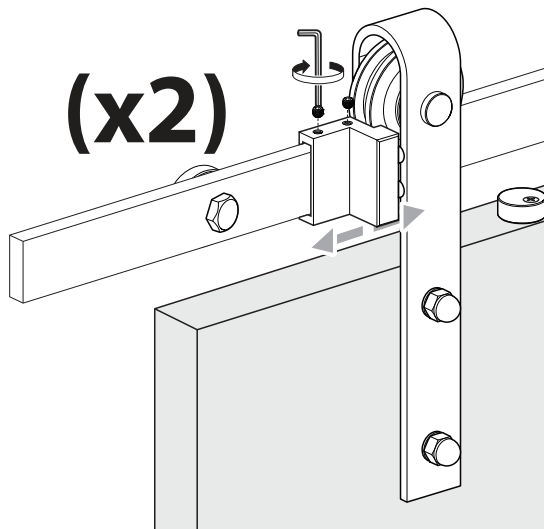
12



13



(x2)



NOTE: Please read all instructions carefully before starting assembly.  
 Also, we recommend that the unit is fully assembled on a level surface.  
 Two people are recommended to assemble this product.  
 DO NOT over torque screws and bolts.

Please check contents before assembly. If any items are missing or damaged, do not take the unit back to the store. Call (775) 629-5029 or email: [service@merryproducts.com](mailto:service@merryproducts.com) for customer service and we will save you time by correcting any problems directly for you.

NOTE: Please read all instructions carefully before starting assembly. Also, we recommend that the unit is fully assembled on a level surface. Two people are recommended to assemble this product. DO NOT over torque screws and bolts.