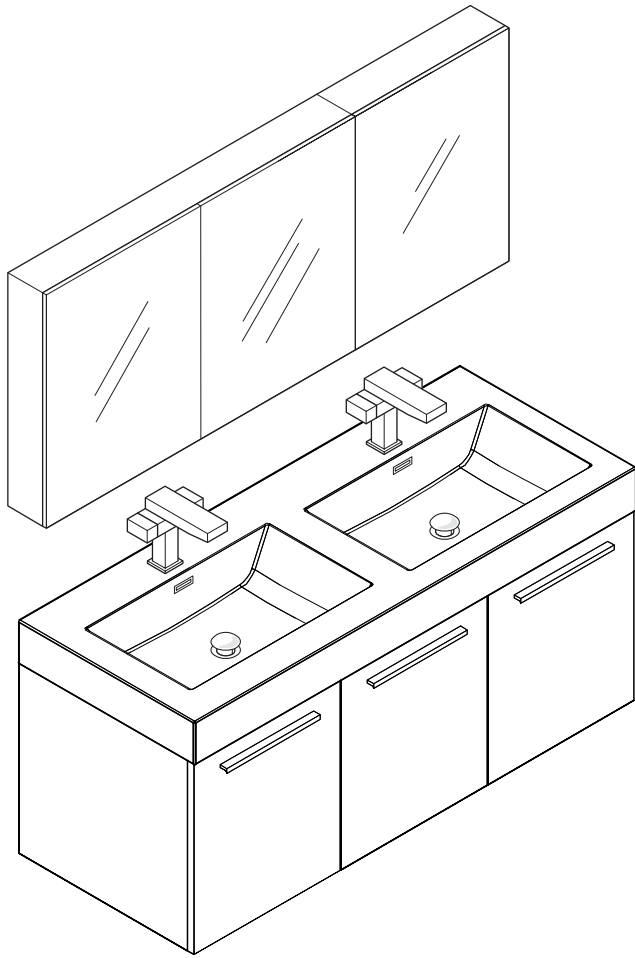
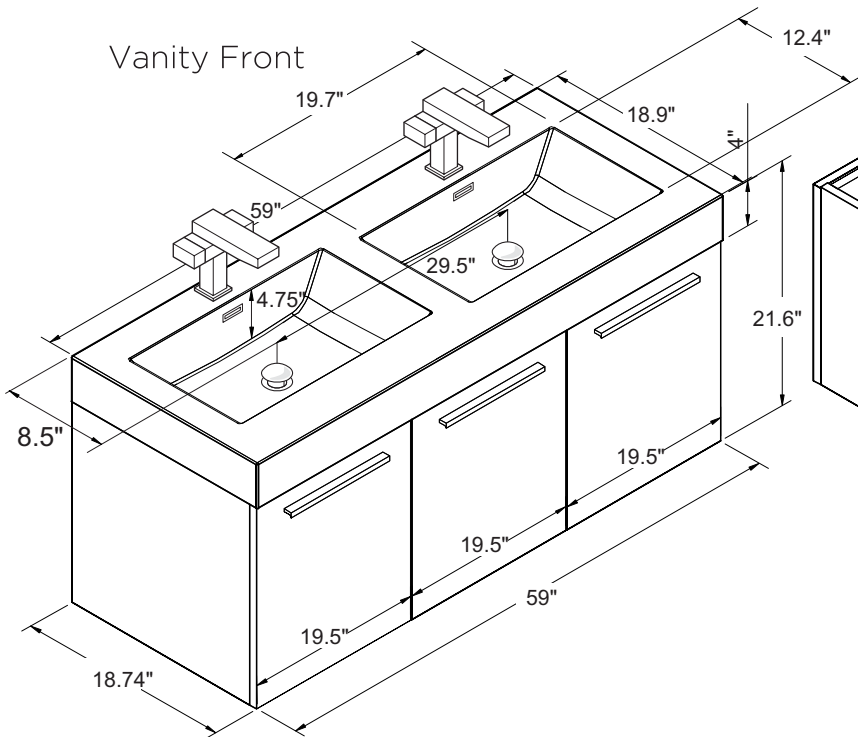
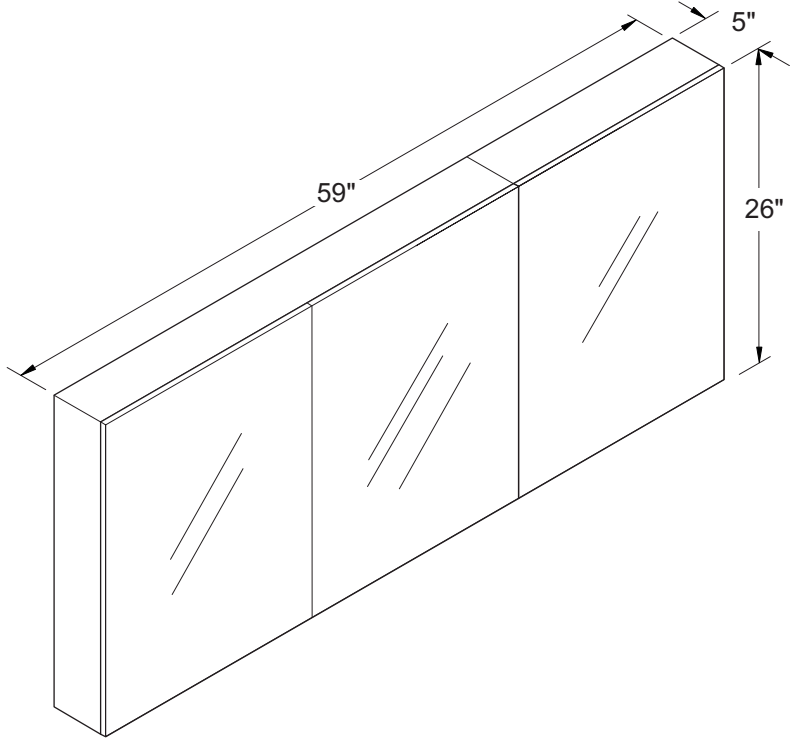


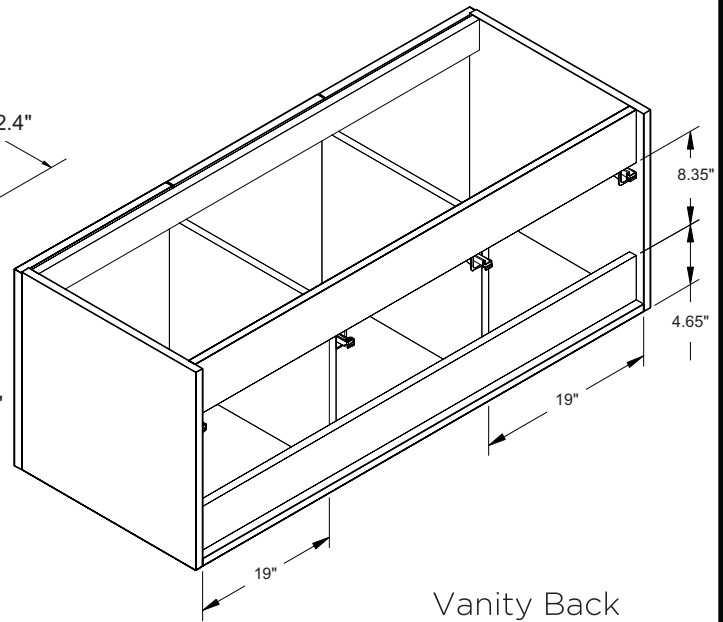
FVN8093-D
VISTA
INSTALLATION GUIDE



Medicine Cabinet



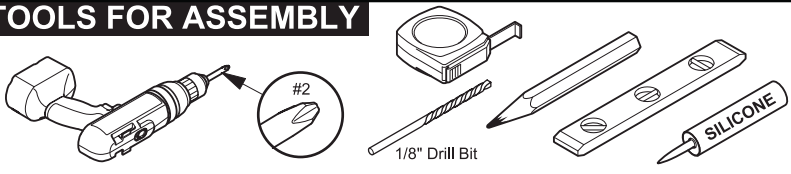
Vanity Front



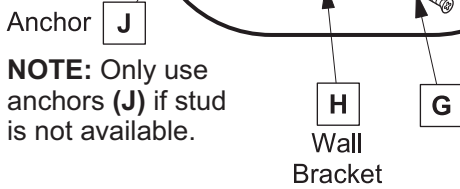
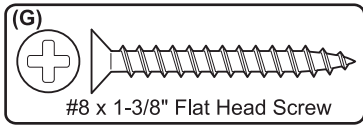
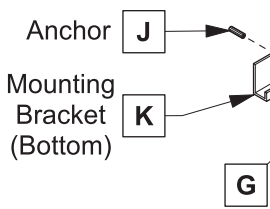
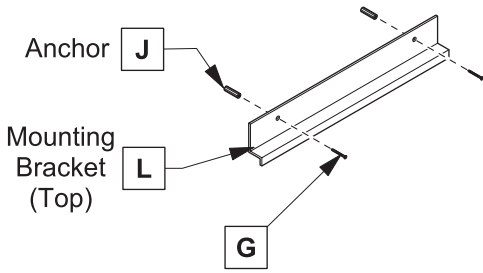
Vanity Back

 ALL DIMENSIONS & SPECIFICATIONS ARE APPROXIMATE AND SUBJECT TO CHANGE WITHOUT NOTICE.

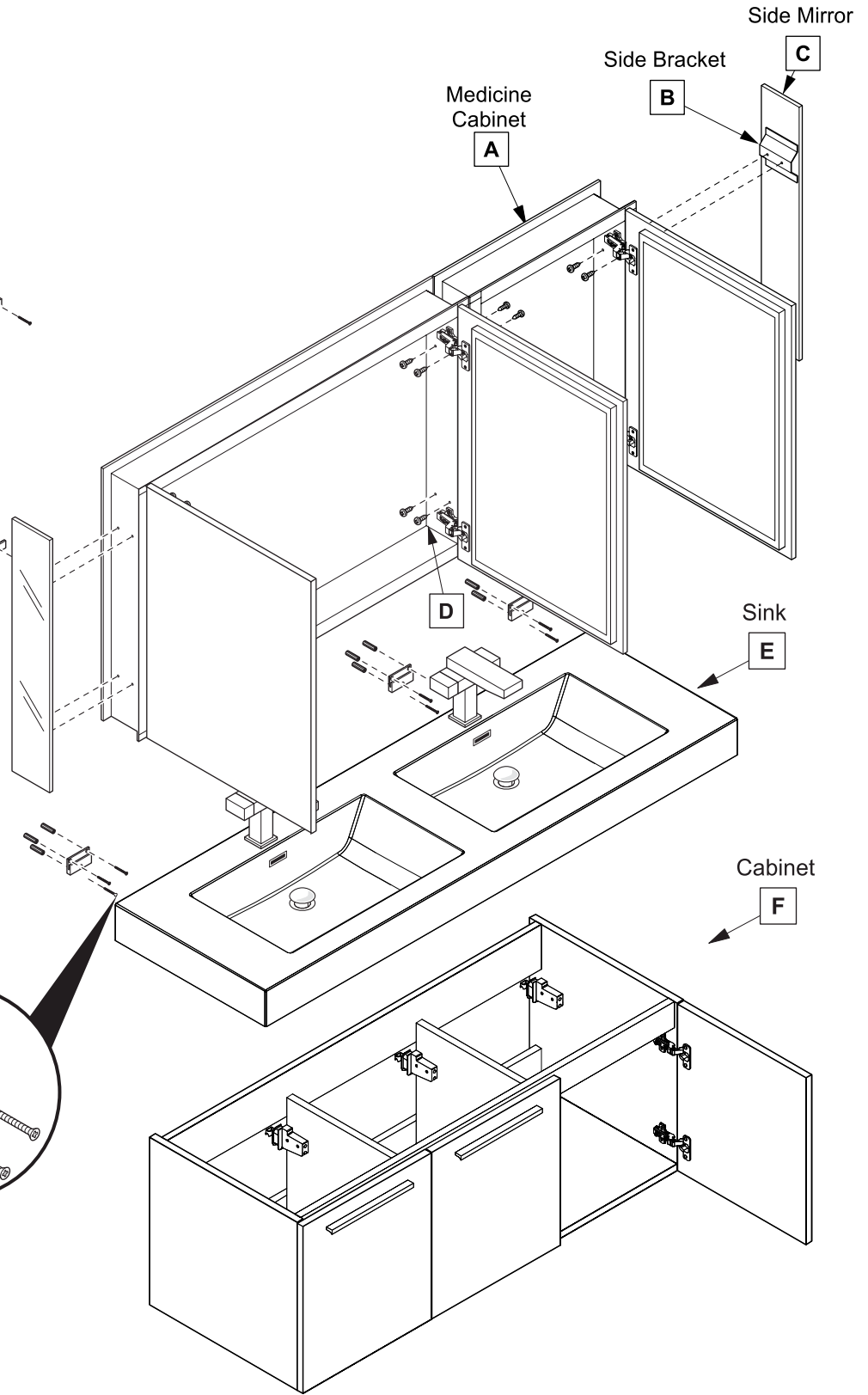
TOOLS FOR ASSEMBLY



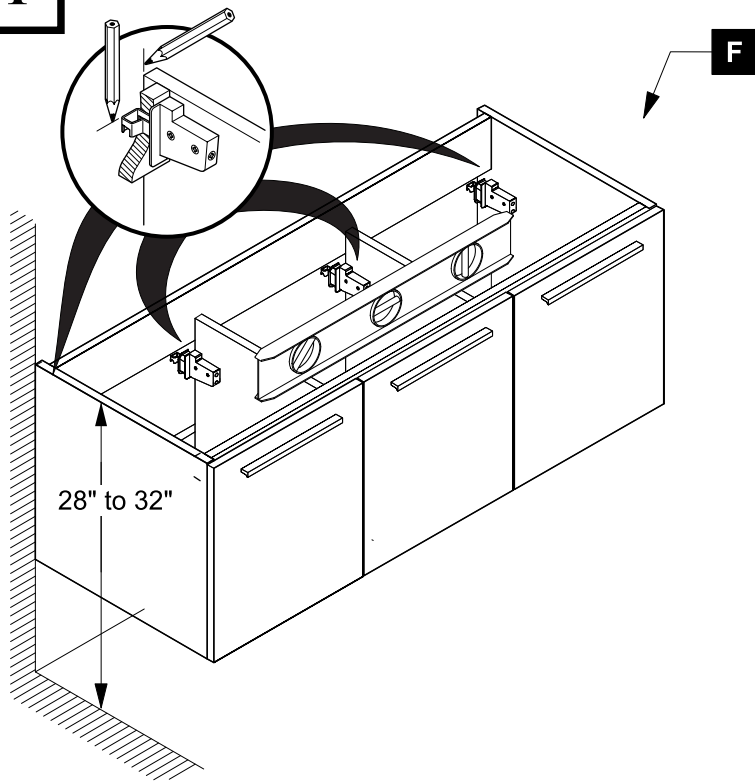
PARTS



NOTE: Only use anchors (J) if stud is not available.

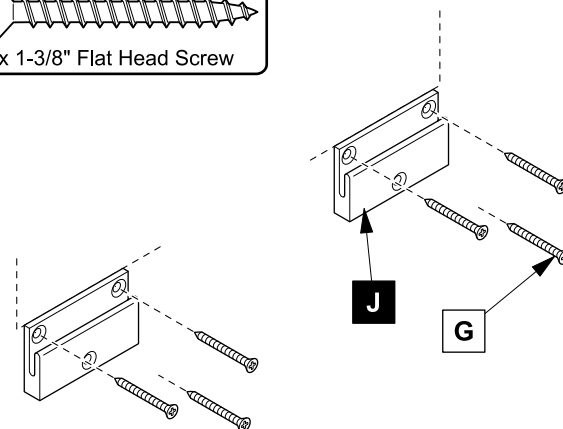
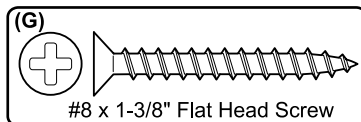


1 Locate cabinet (F) & mark location on the wall

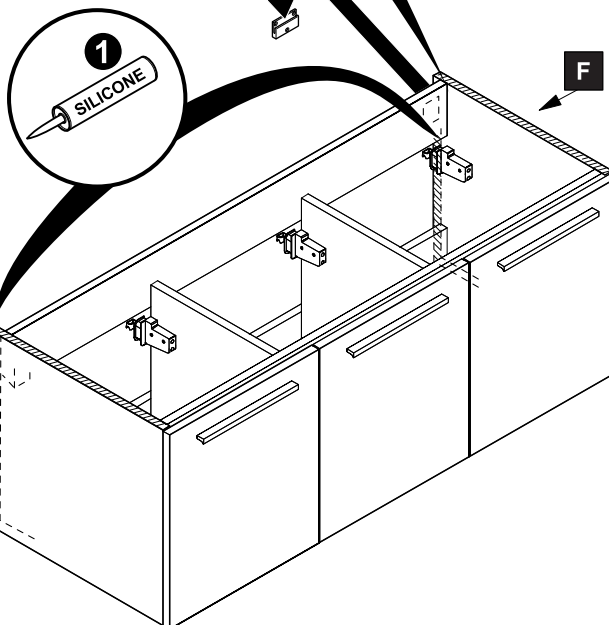
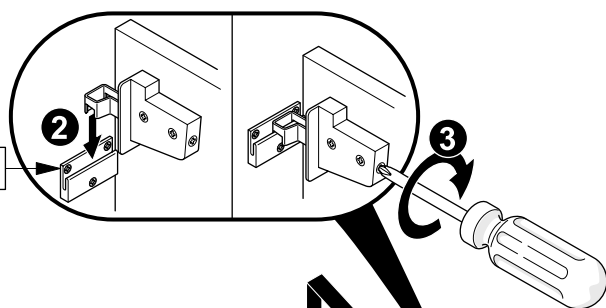


2 Install wall brackets (J)

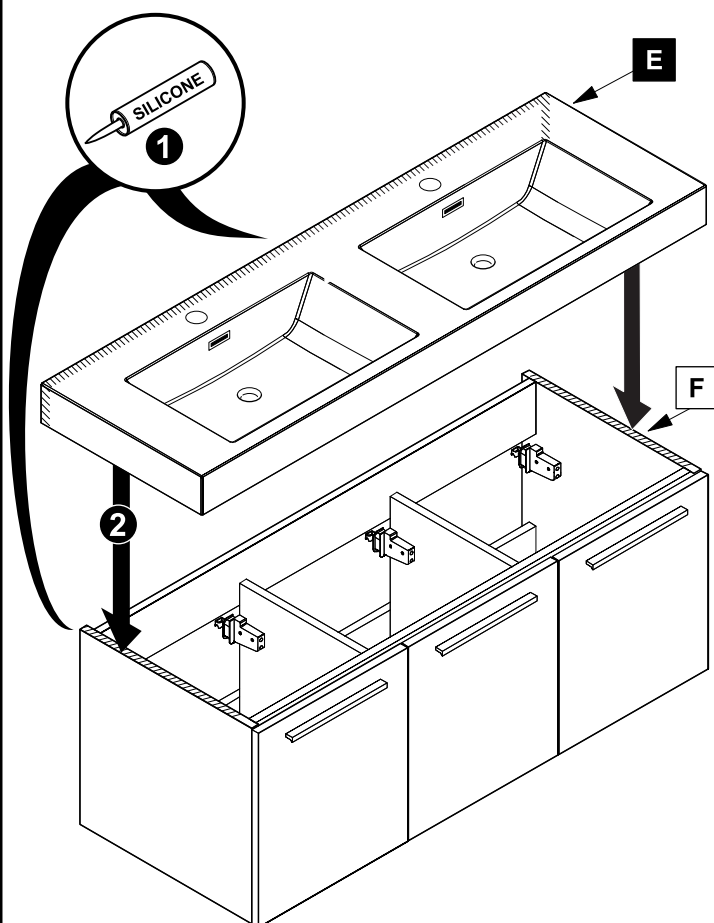
IMPORTANT: Consult an expert for the proper screws/bolts to use when attaching to various wall constructions. Screws provided **do not** attach to all wall construction types.



3 NOTE: If necessary remove drawers to access connection mechanism.

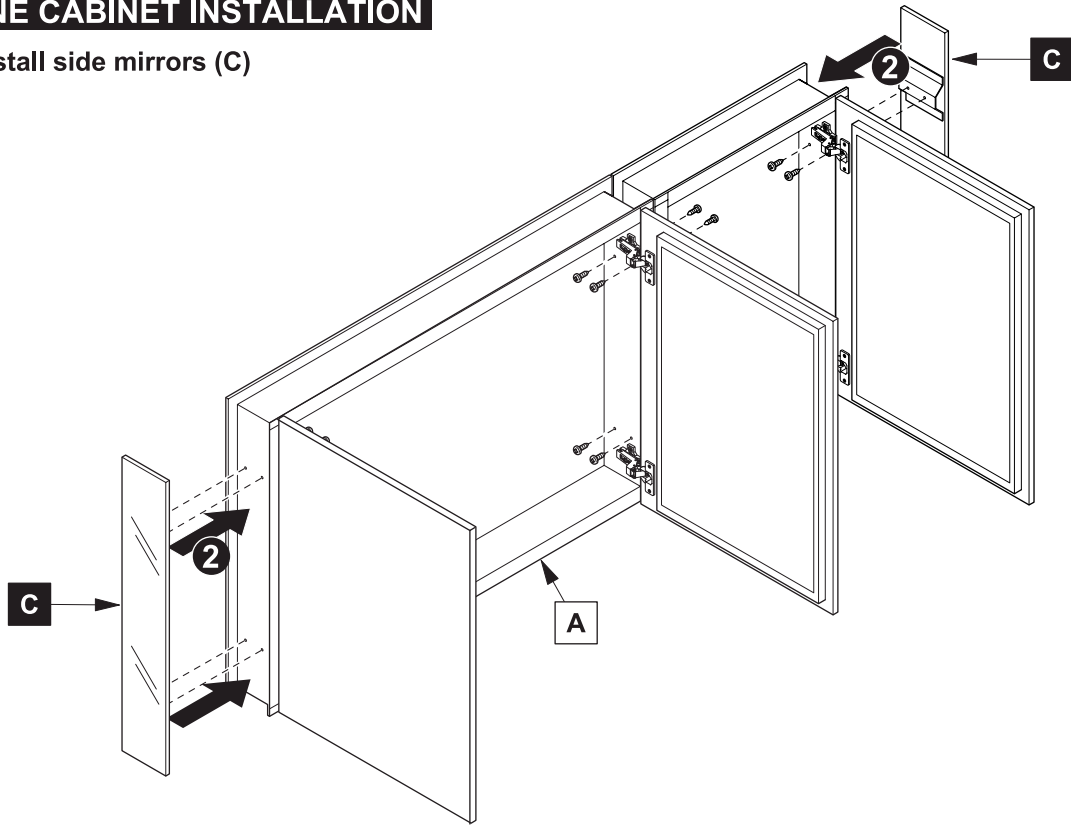


4 Apply silicone and install sink (E)

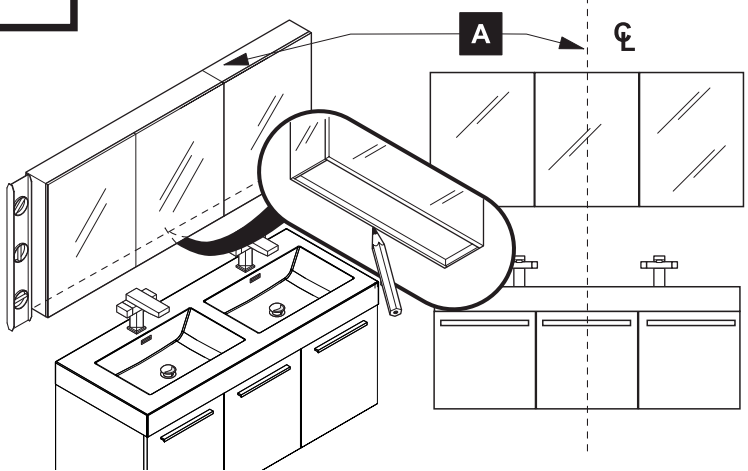


MEDICINE CABINET INSTALLATION

1 Install side mirrors (C)

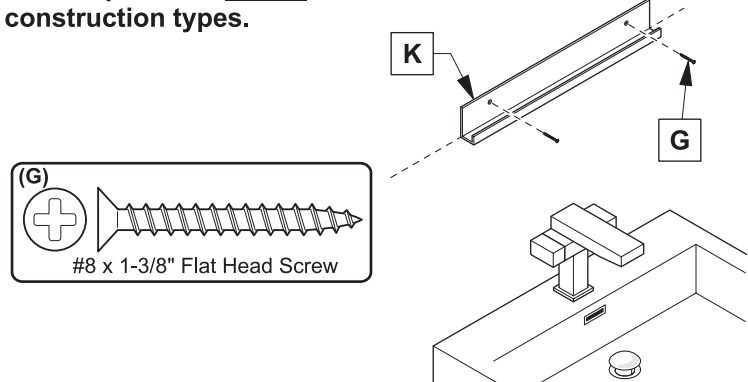


2 Mark cabinet (A) location

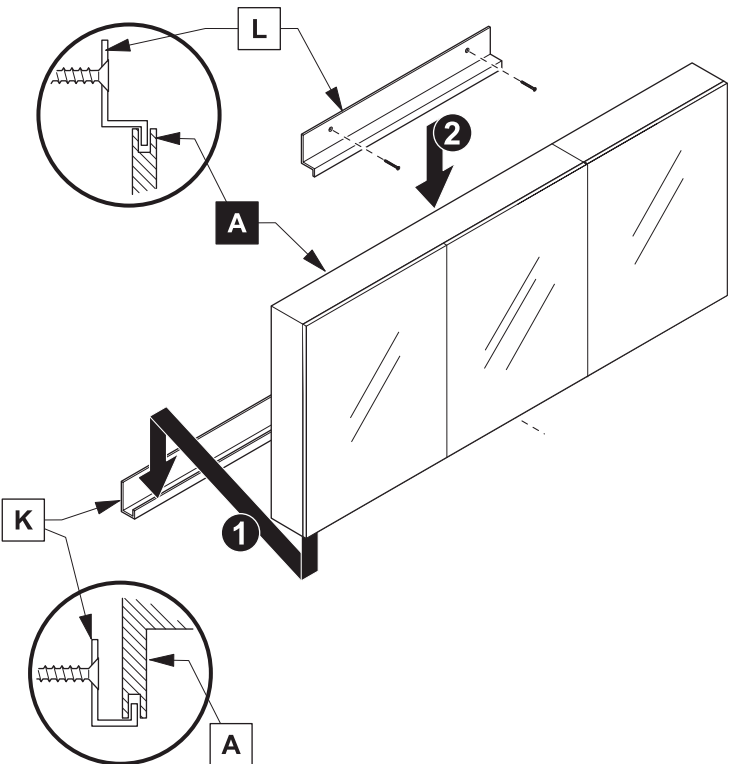
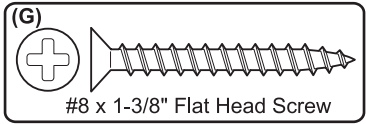


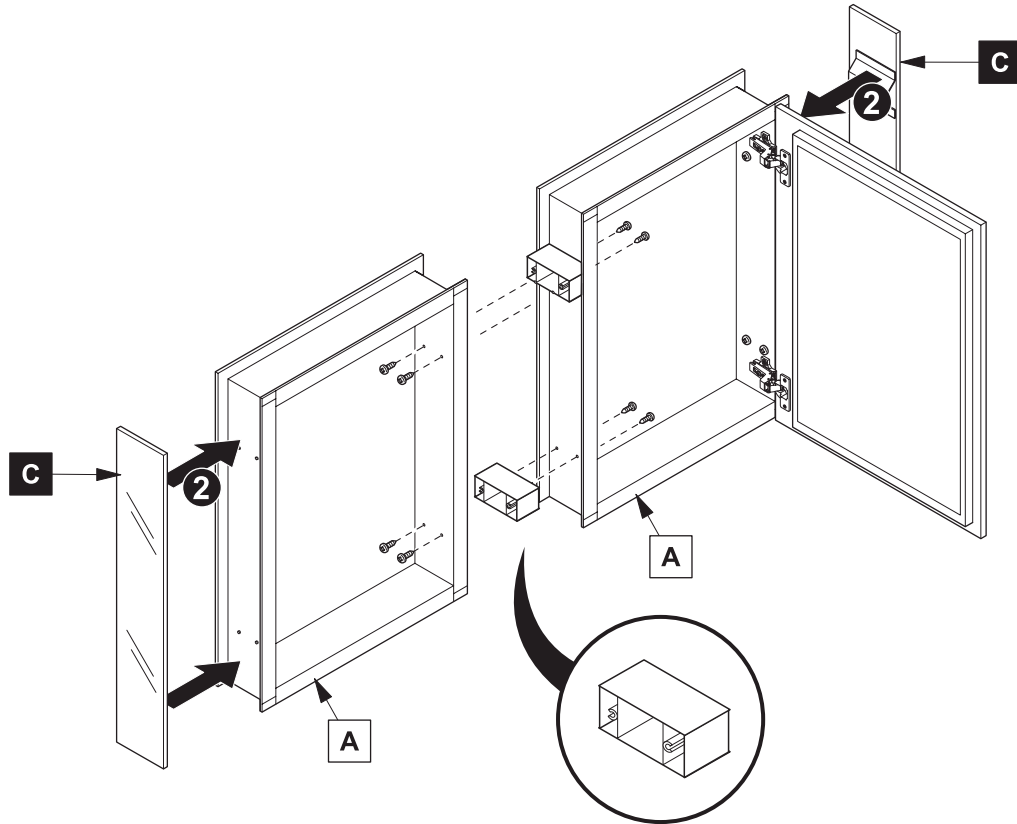
3 Install bottom bracket (K)

IMPORTANT: Consult an expert for the proper screws/bolts to use when attaching to various wall constructions. Screws provided do not attach to all wall construction types.



4 Install cabinet (A) and top bracket (L)

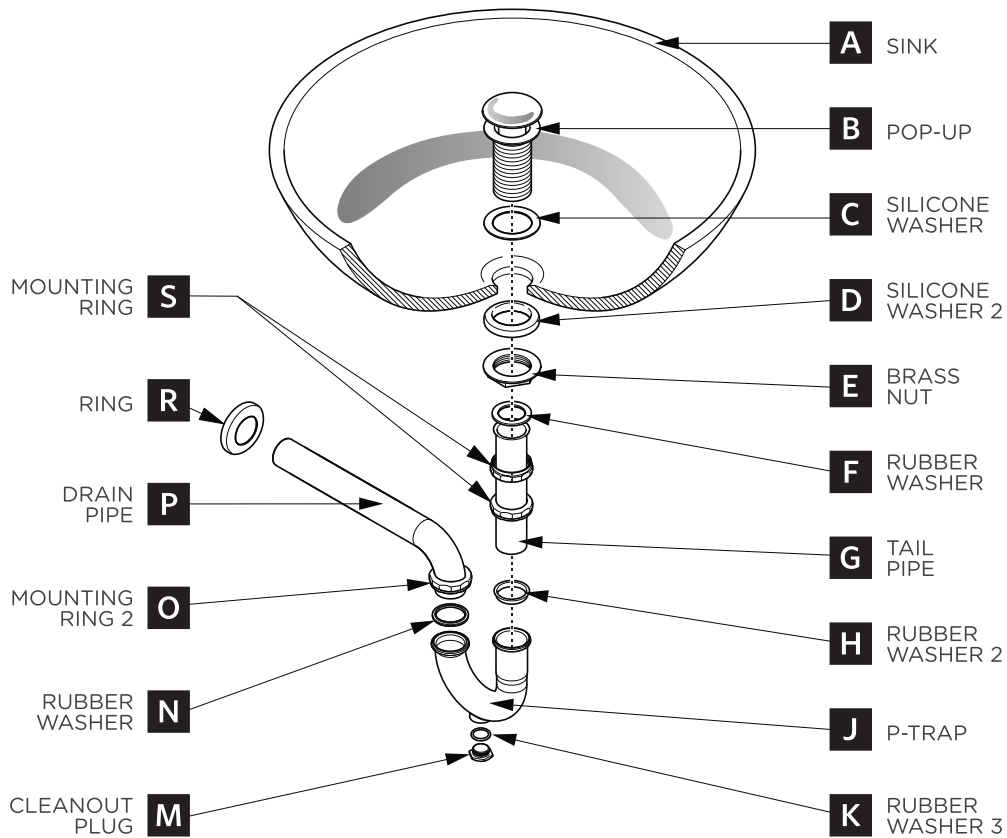




P-TRAP & POP-UP

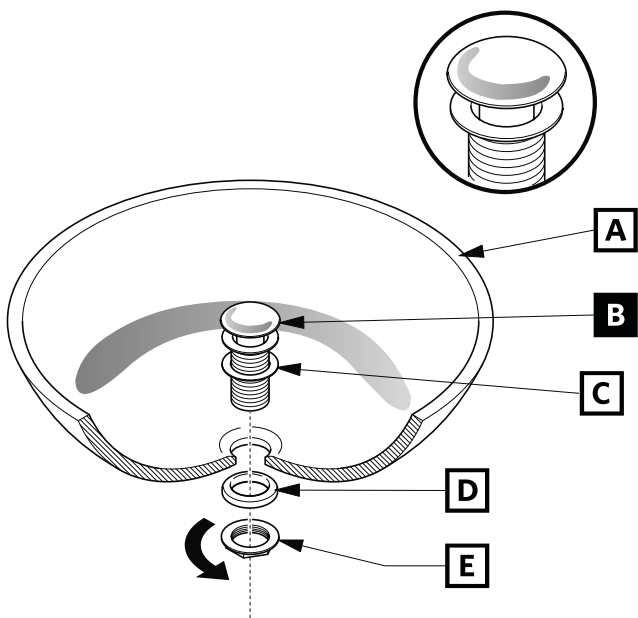
INSTALLATION INSTRUCTIONS

Your item may appear slightly different from the illustration.



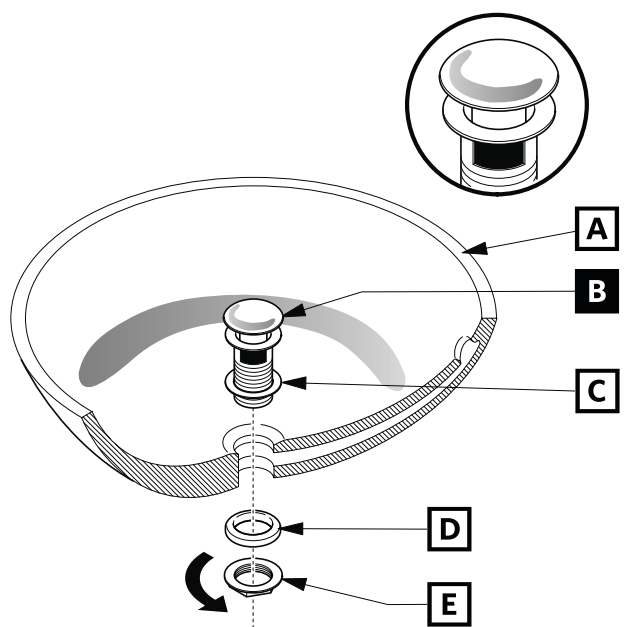
POP-UP INSTALLATION

FOR SINKS WITHOUT OVERFLOW



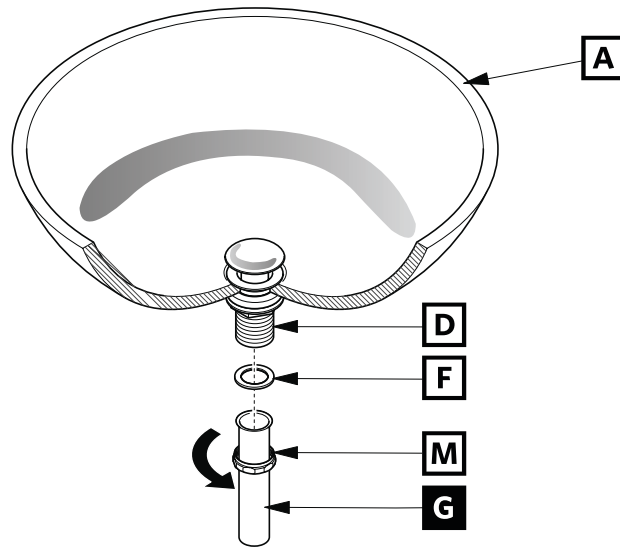
OR

FOR SINKS WITH OVERFLOW



P-TRAP INSTALLATION

1 Install tail pipe (G)



2 Install P-trap (J)

