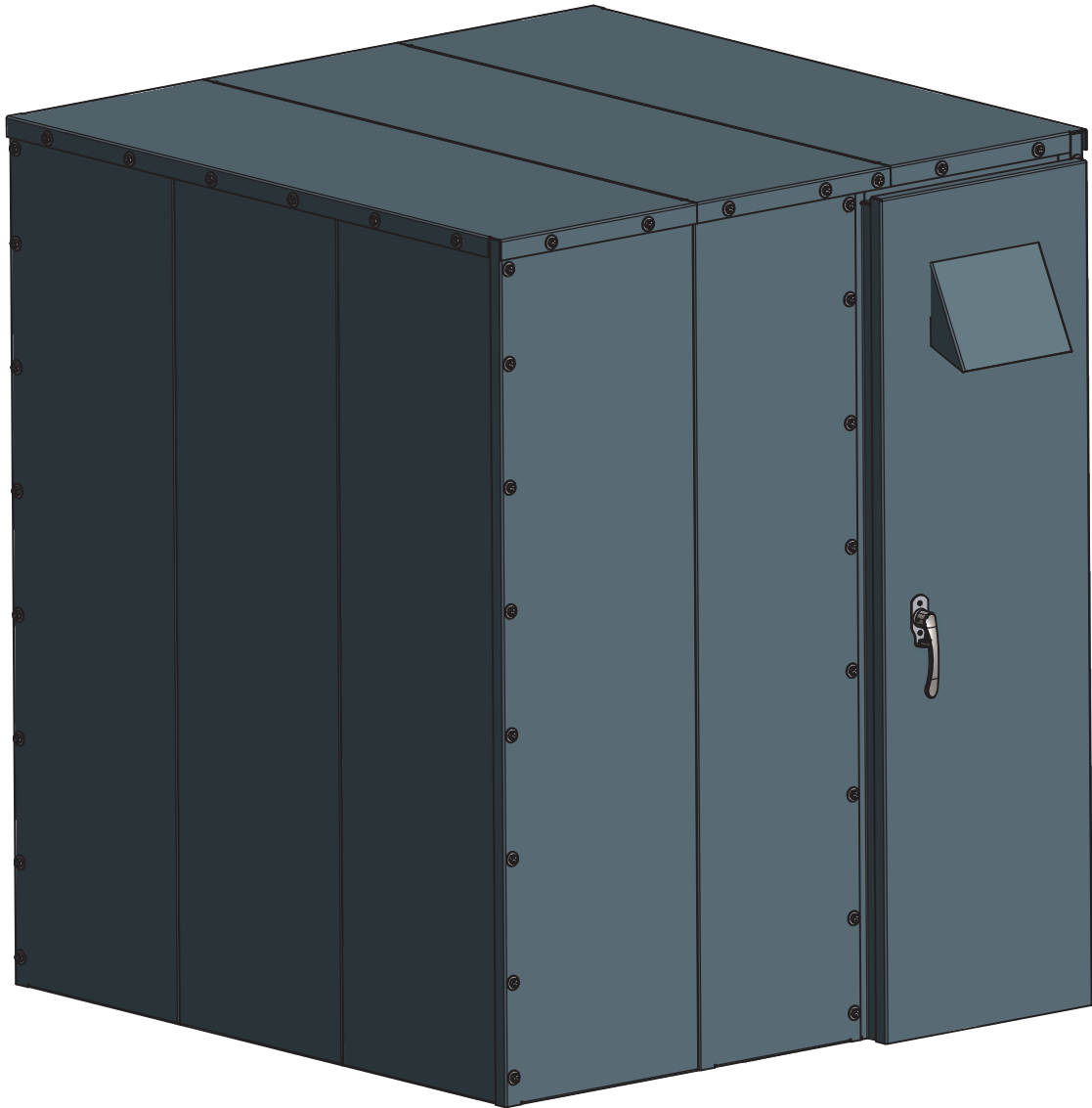


SAF ROOM



SR44/SR66/SR88

U. S. Stove
227 Industrial Park Rd.
South Pittsburg, TN 37380
www.usstove.com

852326

IMPORTANT INFORMATION

CAUTION:

To avoid possible injury never lean or prop against the walls of the storm shelter during a wind event.

Note:

The 4 x 4 storm shelter is designed to protect up to 5 occupants from EF5 tornado winds.

The 6 x 6 storm shelter is designed to protect up to 12 occupants from EF5 tornado winds.

The 8 x 8 storm shelter is designed to protect up to 15 occupants from EF5 tornado winds.

- Some items that are recommended to keep in the storm shelter are:
 - First aid kit
 - Flashlight and extra batteries
 - Dust mask to help filter contaminated air.
 - A whistle to signal for help.
 - A battery-powered or hand crank NOAA Weather Radio with tone alert and extra batteries. It is important to continue listening to local news or a NOAA Weather Radio for updated information and instructions.
 - For more emergency supply list items refer to www.fema.gov
- Watch for tornado danger signs:
 - Dark, often greenish clouds—a phenomenon caused by hail
 - Wall cloud—an isolated lowering of the base of a thunderstorm
 - Cloud of debris
 - Large hail
 - Funnel cloud—a visible rotating extension of the cloud base
 - Roaring noise
- Practice periodic tornado drills so that everyone knows what to do if a tornado is approaching. It is recommended to keep four sets of up to date ear protection in the storm shelter at all times.
- This shelter is not intended to be occupied as a residence or to be occupied for long periods of time.
- You should never operate AC electric appliances or other high-voltage appliance in electrical storms or in wet conditions.
- When entering this shelter, exercise caution as surfaces may become wet and slippery as a result of water intrusion from the open storm shelter door.
- Always carry a mobile phone with you so that you can contact first responders in the event that this shelter is obstructed by debris, but do not return to your home, car, or office to retrieve a phone if you have forgotten to bring it with you to your shelter and you are under a tornado watch or warning.
- We recommend taking shelter in this storm shelter whenever the National Weather Service broadcasts a tornado watch or warning.
- You should leave basic provisions and supplies inside of this storm shelter for your comfort or safety during periods of occupancy.
- This storm shelter is not a toy and should not be used by children.
- Lock this shelter when it is not in-use, but always keep the key in an easy-to-access location so that you are not locked out of the shelter during a storm.
- Do not store flammable materials or any type of fuel in this shelter.
- Never use an open flame in this shelter, or you may die or become seriously injured from asphyxiation.
- We have taken every reasonable measure to make this shelter door easy to operate, but you should familiarize yourself with the operation for the door so that you can quickly open or close the door in an emergency.
- Never cover the vents of this shelter, or you may die or become seriously injured from asphyxiation.
- Use only manufacturer recommended paints or coatings on this shelter, as harmful fumes may accumulate in this space and may cause serious injury or death.
- Never attempt to exit a partially opened door that is blocked by debris, or entrapment or amputation leading to serious injury or death may occur.
- Periodically inspect this shelter to ensure that the shelter is in good operating condition and safe to use for its intended purpose.

MAINTENANCE

To clean the storm shelter, simply use a damp rag with dishwasher soap. Rinse and dry thoroughly. Do not use solvents or other harsh cleaning agents, as these may cause this shelter to rust.

CAUTION:

Keep hearing protection such as ear plus in the storm shelter at all times and wear them during a wind event. Earplugs do have an expiration date and need to be periodically changed out.

CAUTION:

While this tornado storm shelter is designed to provide near absolute protection against EF5 tornadoes and other violent windstorms, no shelter can completely eliminate the risk of injury or death resulting from such calamities. We have taken every step possible to ensure that this storm shelter will provide this near absolute protection as long as the shelter is used in accordance with these guidelines.

4 X 4

LOCATING HOLES

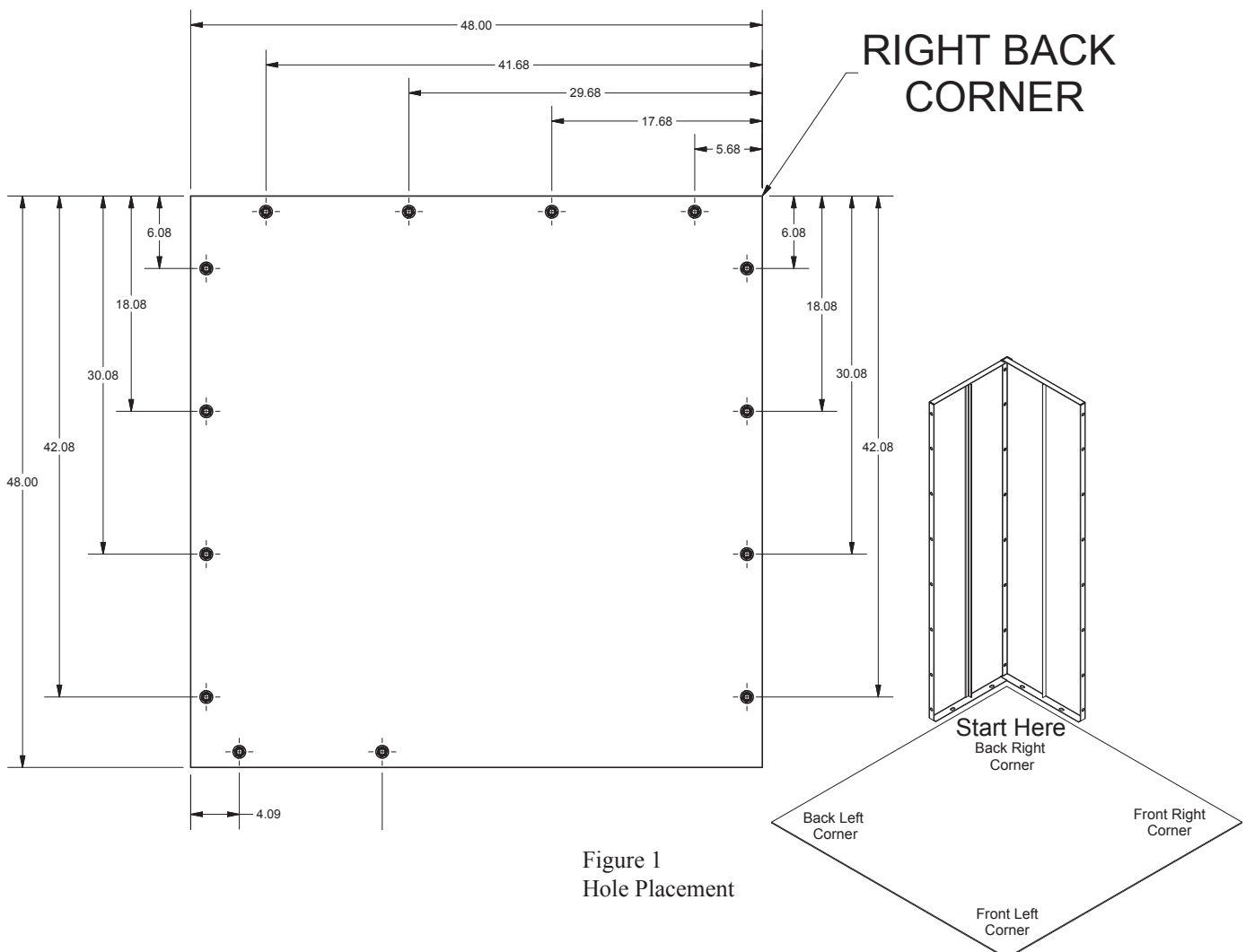
When measuring for the holes, always start each measurement from the corner of the storm shelter to the hole, never go from hole to hole (see figure 1). Note: Use a level and chalk line to make an outline of the storm shelter. This will help insure the holes are marked in the desired location.

1. Locate on the concrete where the back right corner of the storm shelter will be. This will be the starting location. Measure and mark each of the holes along the back wall of the storm shelter. Remember to start all measurements from the edge of the storm shelter.
2. Start from the back right corner. Measure and mark the locations of each of the holes along the right side wall. Remember to start all measurements from the edge of the storm shelter.
3. Start from the back left corner. Measure and mark the locations of each of the holes along the left side wall. Remember to start all measurements from the edge of the storm shelter.
4. Start from the front left corner. Measure and mark the locations of the first holes along the front wall of the storm shelter. Remember to start all measurements from the edge of the storm shelter. At this time you will not drill the two holes for the door.

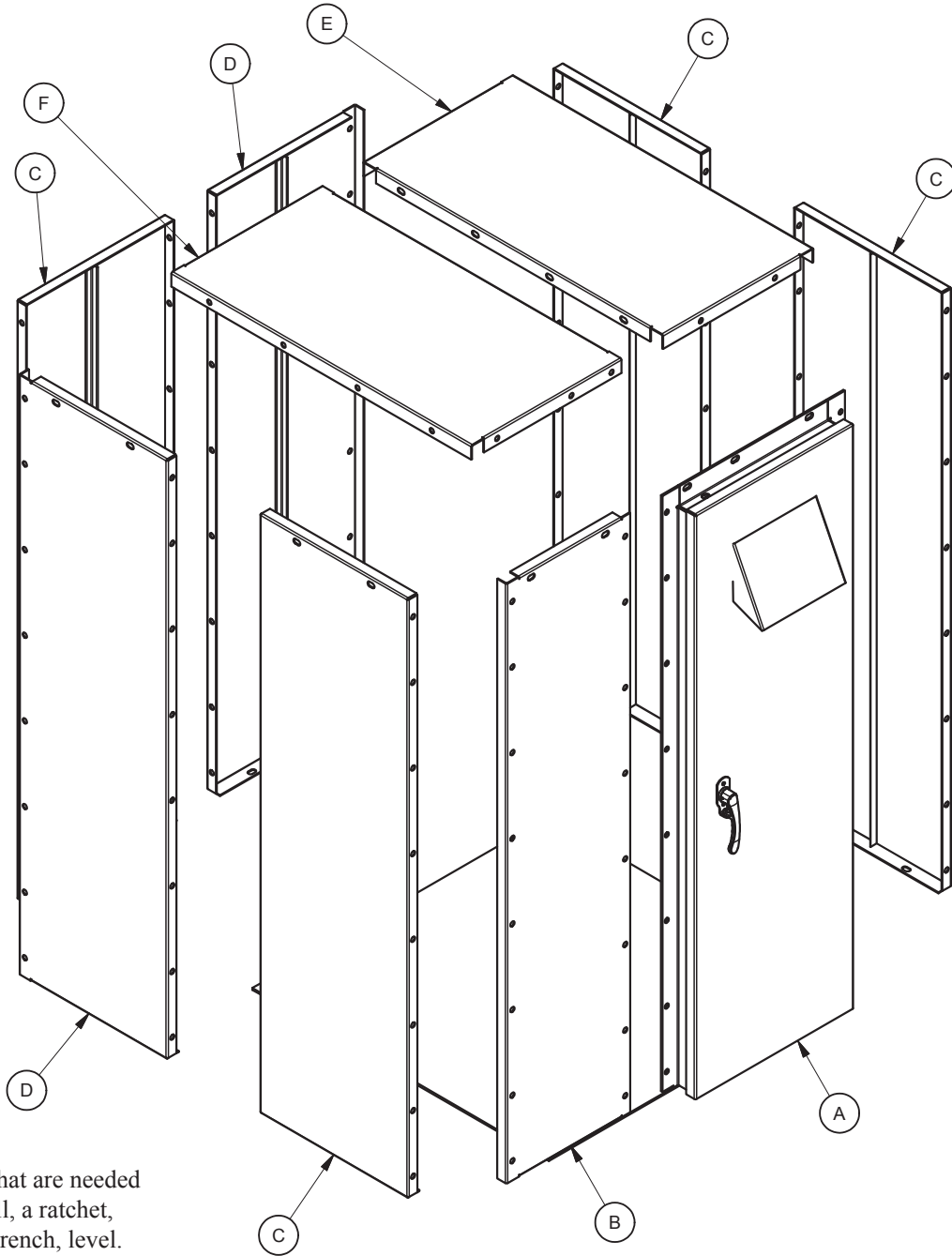
DRILLING HOLES

1. Drill a hole in the concrete deeper than the wedge anchor embedment using a hammer drill and a correctly sized carbide tipped bit.
2. Clean out hole of all debris.
3. Place the nut on the end of the wedge anchor (to protect the threads of the wedge anchor during installation).
4. Hammer the wedge anchor into the hole deep enough so that the threads are below the surface of the base material.
5. Tighten the nut - turning approximately three or four full turns until tight.

The anchor bolts used in this assembly are RED HEAD® brand. For complete details of proper installation refer to the www.concretefasteners.com

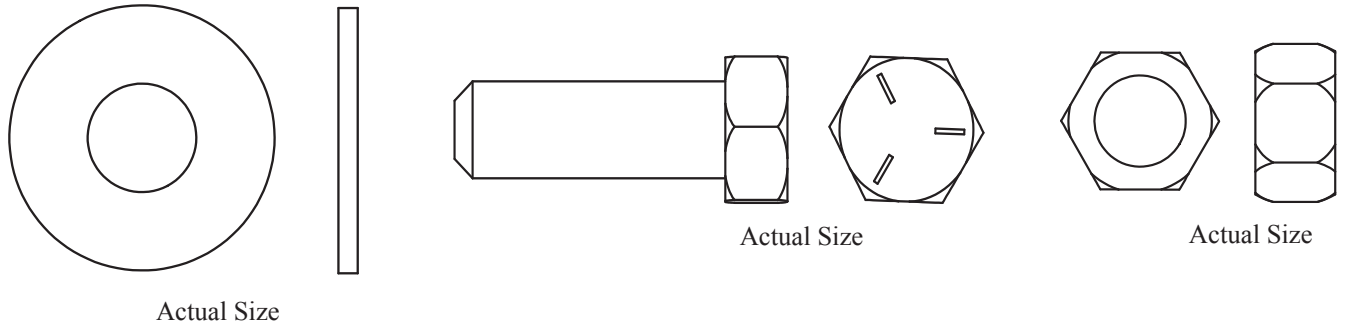


THIS 4 X 4 KIT INCLUDES THE FOLLOWING:

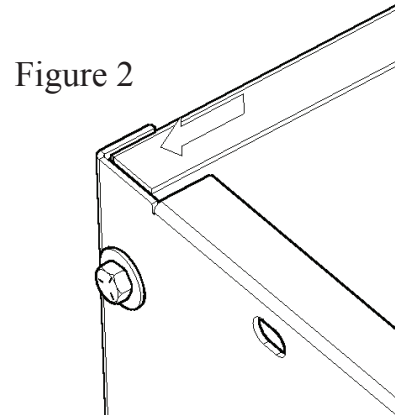


Some items that are needed include a drill, a ratchet, strap, and a wrench, level.

Key	Part	Description	Qty.
A	610035	Door Assembly	1
B	610033	Front Panel	1
C	610031	Side Panel	4
D	610032	Corner Panel	2
E	610039	Top Right Panel	1
F	610038	Top Left Panel	1



Key	Part	Description	Qty
1	83618	1/2-13 X 1-1/2 Grade 5 Hex Head Bolt	85
2	83619	Grade 5, 1/2 Washer (.563 ID X 1.375 OD)	170
3	83620	1/2-13 Grade 5 Hex Nut	85
4	83621	1/2 X 3-3/4 Grade 5 Steel Concrete Anchor	16



DOOR HANDLE OPERATION

Turn door lever counter clockwise to open (see figure 5)

Turn door lever clockwise to lock. (see figure 6)

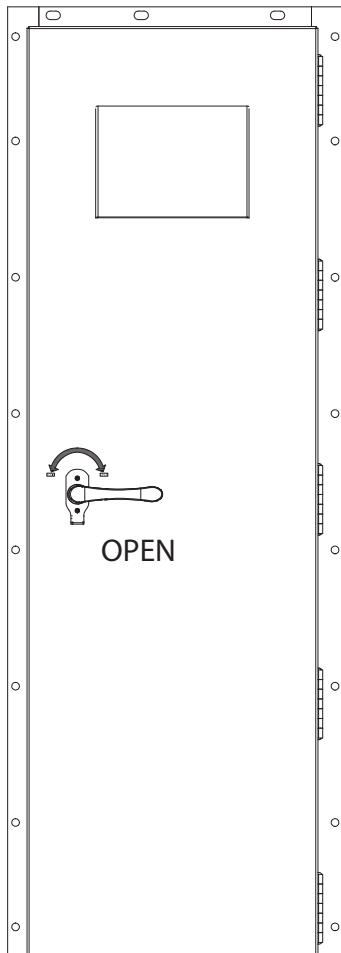


Figure 5

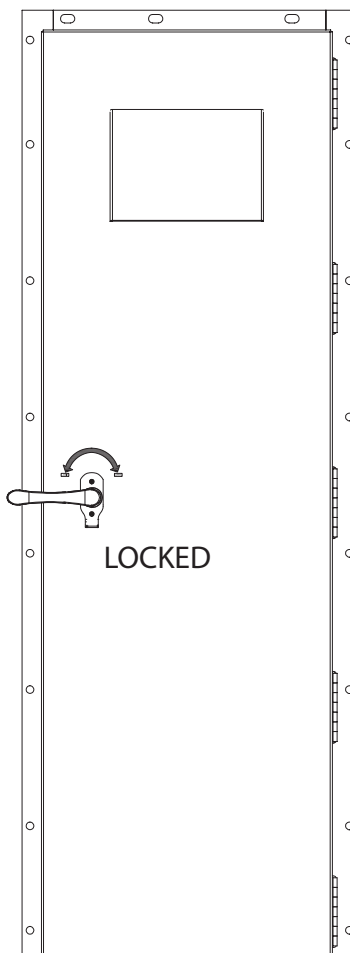


Figure 6

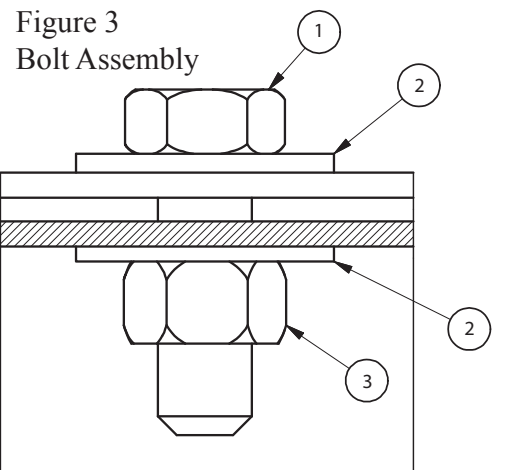


Figure 3
Bolt Assembly

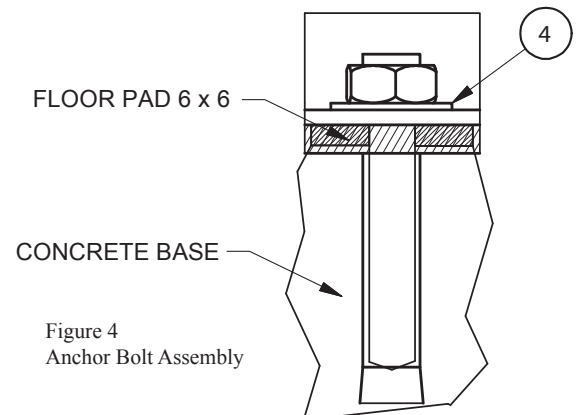


Figure 4
Anchor Bolt Assembly

4 X 4 ASSEMBLY

CAUTION:

**This is a two person job the panels are very heavy and proper lifting technique should be used.
The storm shelter should be assembled in the location it is intended to stay.**

ASSEMBLE PANELS

In the following instructions when securing the panels to the concrete with anchor bolt assemblies follow the instructions given in the “Locating Holes” and “Drilling Holes” sections of this manual.

Before assembling the panels the floor pad will need to be properly prepared. Align the floor pad with the pre-drilled holes in the concrete. Use a rubber mallet and utility knife to puncture holes into the floor pad where the pre-drilled holes are located. The panels will be assembled on top of the floor pad.

1. Start in the back right corner of the shelter. (see figure 1)
2. Align panel D up with the pre-drilled holes in the concrete. Slide panel C into panel D (see figure 2). This will form the back right corner of the storm shelter. Use eight (8) bolt assemblies (figure 3) to attach panel D to panel C. Use four (4) anchor bolt assemblies (figure 4) to secure panel D and panel C to the concrete.
3. Along the back wall of the storm shelter attach panel C to the previously installed panel D with eight (8) bolt assemblies. Use two (2) anchor bolt assemblies to secure panel C to the concrete.
4. Move to the right wall of the storm shelter and attach panel C to the previously installed panel C with eight (8) bolt assemblies. Use two (2) anchor bolt assemblies to secure panel C to the concrete.
5. Move to the left wall of the storm shelter and slide panel D onto the previously installed back wall panel C (see figure 2). This will form the back left corner of the storm shelter. Attach panel D to panel C with eight (8) bolt assemblies. Use two (2) anchor bolt assemblies to secure panel D to the concrete.
6. Attach the other left wall panel C to the previously installed left wall panel D with eight (8) bolt assemblies. Use two (2) anchor bolt assemblies to secure panel C to the concrete.
7. Move to the right front corner of the storm shelter. Use eight (8) bolt assemblies to attach the door assembly to the previously installed panel C. This will form the front right corner of the storm shelter.
8. Attach front panel B to the previously installed door assembly and panel C using sixteen (16) bolt assemblies. Use two (2) anchor bolt assemblies to secure panel B to the concrete.
9. Place panel F onto the top left side of the storm shelter.
10. Place panel E onto the top right side of the storm shelter.
11. Attach panel F to panel E with four (4) bolt assemblies.
12. Attach both of the top panels to the base panels using the remaining bolts assemblies starting on the right front corner and working counter clockwise around the storm shelter.
13. Open the door of the storm shelter. Drill two holes into the concrete through the two pre-drilled holes on the bottom flange of the door assembly. Refer to the “Locating Holes” and “Drilling Holes” sections of this manual for proper drilling instructions. Secure the door assembly to the concrete using two (2) anchor bolt assemblies.

4 X 4 NOTES

IMPORTANT INFORMATION 6 X 6

LOCATING HOLES

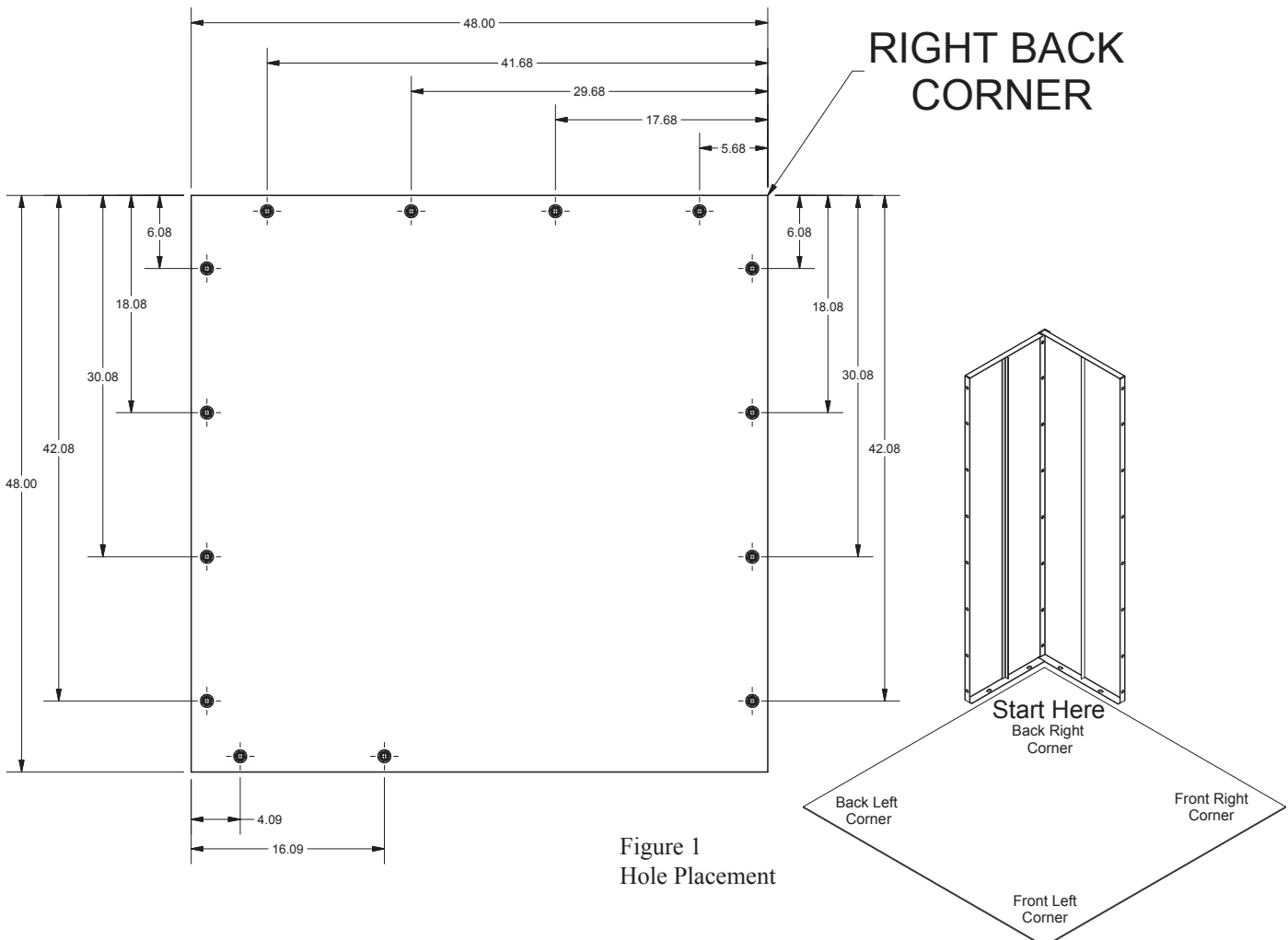
When measuring for the holes, always start each measurement from the corner of the storm shelter to the hole, never go from hole to hole (see figure 1). Note: Use a level and chalk line to make an outline of the storm shelter. This will help insure you are marking the holes in the desired location.

1. Locate on the concrete where the back right corner of the storm shelter will be. This will be the starting location. Measure and mark each of the holes along the back wall of the storm shelter. Remember to start all measurements from the edge of the storm shelter.
2. Start from the back right corner. Measure and mark the locations of each of the holes along the right side wall. Remember to start all measurements from the edge of the storm shelter.
3. Start from the back left corner. Measure and mark the locations of each of the holes along the left side wall. Remember to start all measurements from the edge of the storm shelter.
4. Start from the front left corner. Measure and mark the locations of the first holes along the front wall of the storm shelter. Remember to start all measurements from the edge of the storm shelter. At this time you will not drill the two holes for the door.

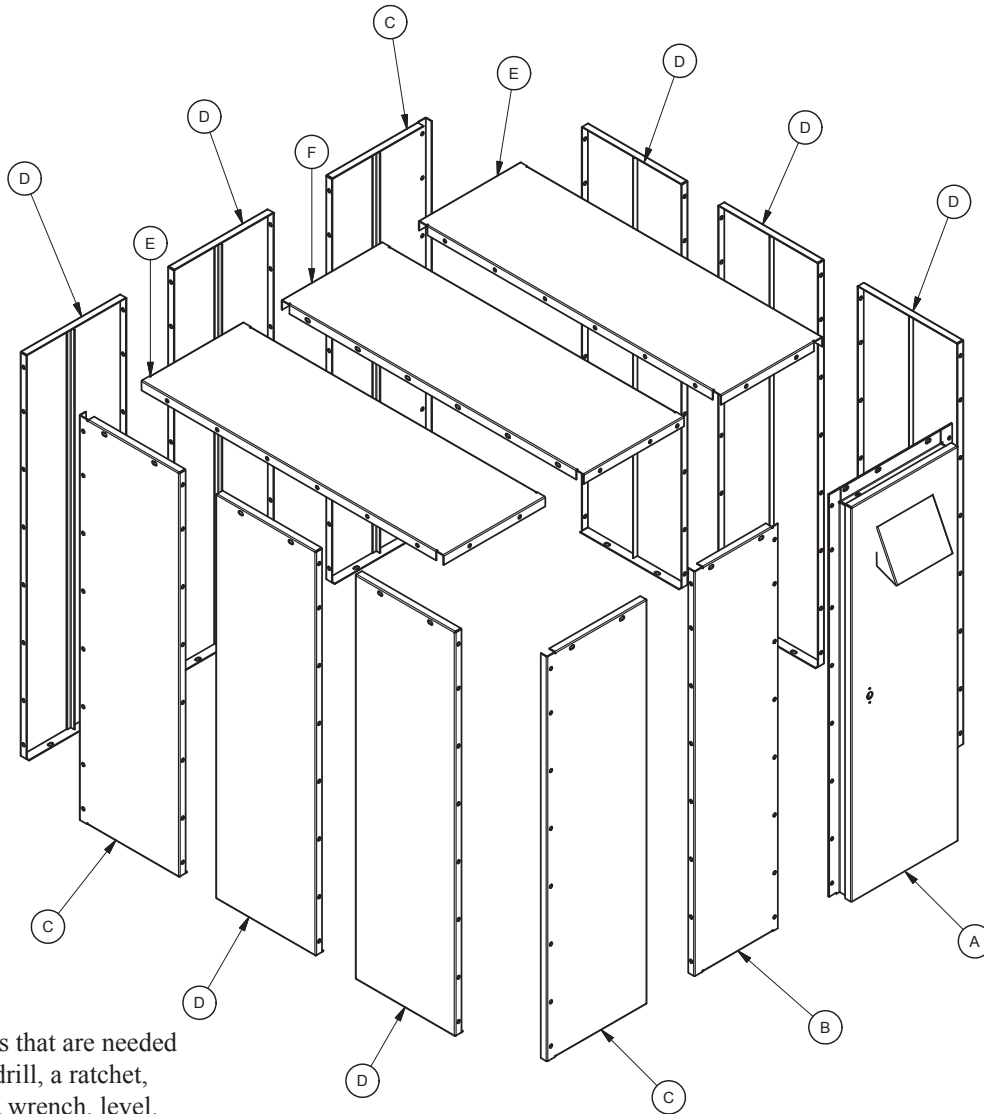
DRILLING HOLES

1. Drill a hole in the concrete deeper than the wedge anchor embedment using a hammer drill and a correctly sized carbide tipped bit.
2. Clean out hole of all debris.
3. Place the nut on the end of the wedge anchor (to protect the threads of the wedge anchor during installation).
4. Hammer the wedge anchor into the hole deep enough so that the threads are below the surface of the base material.
5. Tighten the nut - turning approximately three or four full turns until tight.

The anchor bolts used in this assembly are RED HEAD® brand. For complete details of proper installation refer to the www.concretefasteners.com



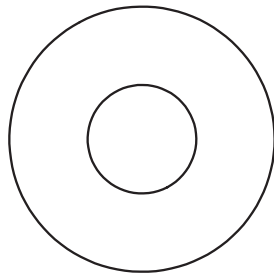
THIS 6 X 6 KIT INCLUDES THE FOLLOWING:



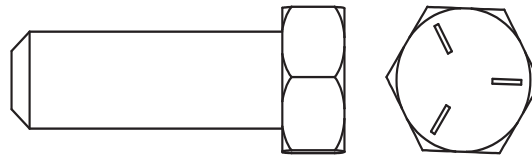
Some items that are needed include a drill, a ratchet, strap, and a wrench, level.

Key	Part	Description	Qty
A	610035	Door Assembly	1
B	610034	Front Panel	1
C	610032	Corner Panel	3
D	610031	Side Panel	7
E	610040	Top Left Panel	2
F	610041	Top Center Panel	1
G	80695	LED Light	1
H	83618	1/2-13 X 1-1/2 Grade 5 Hex Head Bolt	133
I	83619	Grade 5, 1/2 Washer (.563 ID X 1.375 OD)	266
J	83620	1/2-13 Grade 5 Hex Nut	133
K	83621	1/2 X 3-3/4 Grade 5 Steel Concrete Anchor	24
L	892378	Floor Pad 6 X 6	1

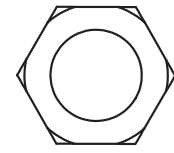
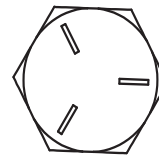
6 X 6



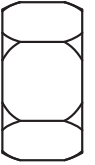
Actual Size



Actual Size

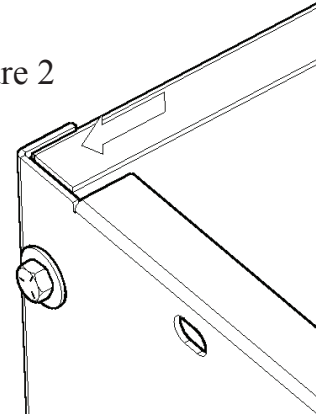


Actual Size



Key	Part	Description	Qty
1	83618	1/2-13 X 1-1/2 Grade 5 Hex Head Bolt	85
2	83619	Grade 5, 1/2 Washer (.563 ID X 1.375 OD)	170
3	83620	1/2-13 Grade 5 Hex Nut	85
4	83621	1/2 X 3-3/4 Grade 5 Steel Concrete Anchor	16

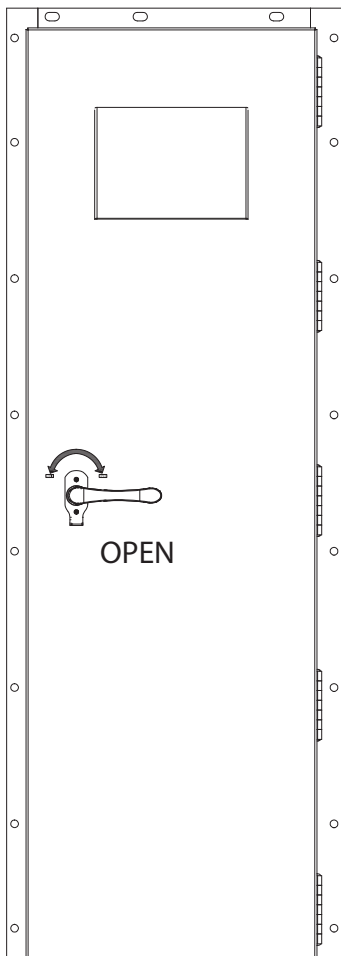
Figure 2



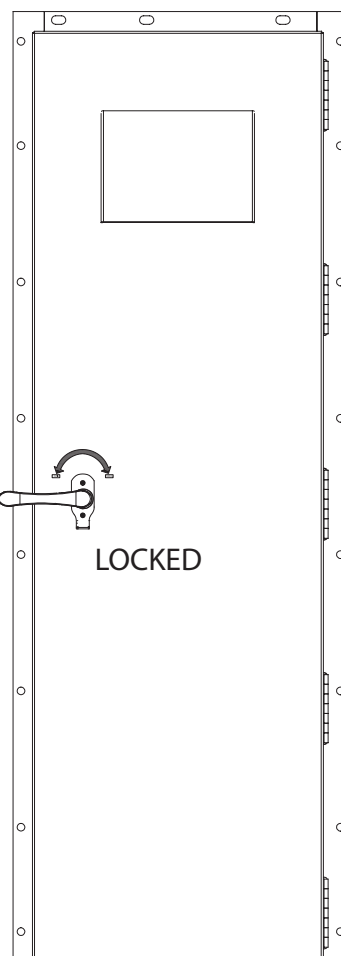
DOOR HANDLE OPERATION

Turn door lever counter clockwise to open (see figure 5)

Turn door lever clockwise to lock. (see figure 6)



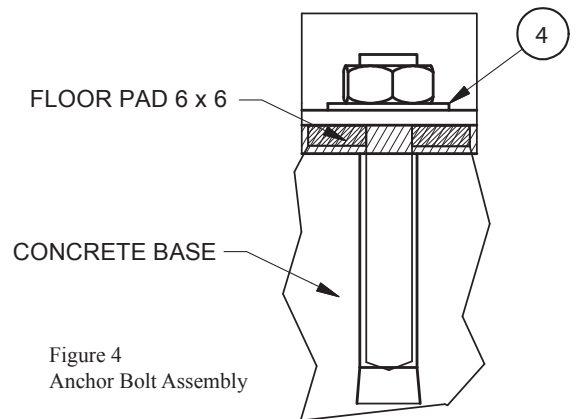
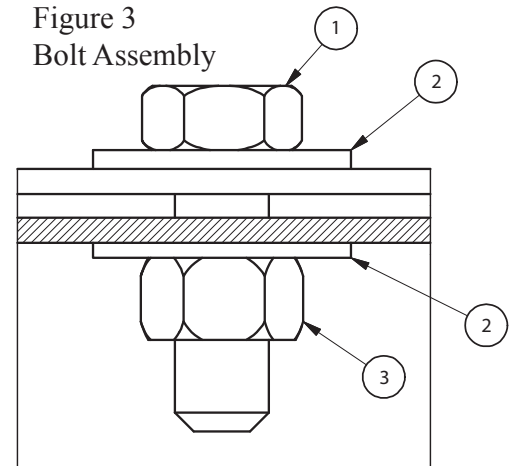
OPEN



LOCKED

Figure 3

Bolt Assembly



FLOOR PAD 6 x 6

CONCRETE BASE

Figure 4
Anchor Bolt Assembly

Figure 5

Figure 6

6 X 6 ASSEMBLY

CAUTION:

**This is a two person job the panels are very heavy and proper lifting technique should be used.
The storm shelter should be assembled in the location it is intended to stay.**

ASSEMBLE PANELS

In the following instructions when securing the panels to the concrete with anchor bolt assemblies follow the instructions given in the “Locating Holes” and “Drilling Holes” sections of this manual.

Before assembling the panels the floor pad will need to be properly prepared. Align the floor pad with the pre-drilled holes in the concrete. Use a rubber mallet and utility knife to puncture holes into the floor pad where the pre-drilled holes are located. The panels will be assembled on top of the floor pad.

1. Start in the back right corner of the shelter. (see figure 1)
2. Align panel C up with the pre-drilled holes in the concrete. Slide panel D into panel C (see figure 2). This will form the back right corner of the storm shelter. Use eight (8) bolt assemblies (figure 3) to attach panel D to panel C. Use four (4) anchor bolt assemblies (figure 4) to secure panel C and panel D to the concrete.
3. Along the back wall of the storm shelter attach panel D to the previously installed panel C with eight (8) bolt assemblies. Use two (2) anchor bolt assemblies to secure panel D to the concrete.
4. Attach the last back wall panel D to the previously installed back center wall panel D with eight (8) bolt assemblies. Use two (2) anchor bolt assemblies to secure panel D to the concrete.
5. Move to the right wall of the storm shelter and attach panel D to the previously installed panel D with eight (8) bolt assemblies. Use two (2) anchor bolt assemblies to secure panel D to the concrete.
6. Attach the last right wall panel D to the previously installed right center wall panel D with eight (8) bolt assemblies. Use two (2) anchor bolt assemblies to secure panel D to the concrete.
7. Move to the left wall of the storm shelter and slide panel C onto the previously installed back wall panel D (see figure 2). This will form the back left corner of the storm shelter. Attach panel C to panel D with eight (8) bolt assemblies. Use two (2) anchor bolt assemblies to secure panel C to the concrete.
8. Attach left center wall panel D to the previously installed panel C with eight (8) bolt assemblies. Use two (2) anchor bolt assemblies to secure panel D to the concrete.
9. Attach the last left wall panel D to the previously installed left center wall panel D with eight (8) bolt assemblies. Use two (2) anchor bolt assemblies to secure panel D to the concrete.
10. On the front wall of the storm shelter, slide panel C onto the previously installed left wall panel D (see figure 2). This will form the front left corner of the storm shelter. Use eight (8) bolt assemblies to attach panel C to panel D. Use two (2) anchor bolts assemblies to secure panel C to the concrete.
11. Move to the right front corner of the storm shelter. Use eight (8) bolt assemblies to attach the door assembly to the previously installed panel D. This will form the front right corner of the storm shelter.
12. Attach front center panel B to the previously installed door assembly and panel C using sixteen (16) bolt assemblies. Use two (2) anchor bolt assemblies to secure panel B to the concrete.
13. Place panel F onto the top middle section of the storm shelter.
14. Slide panel E onto the top left side of the storm shelter.
15. Slide panel E onto the top right side of the storm shelter.
16. Attach both the right and left panel E to the center panel F with twelve (12) bolt assemblies.
17. Attach all three of the top panels to the base panels using the remaining bolt assemblies starting on the right front corner and working counter clockwise around the storm shelter.
18. Open the door of the storm shelter. Drill two holes into the concrete through the two pre-drilled holes on the bottom flange of the door assembly. Refer to the “Locating Holes” and “Drilling Holes” sections of this manual for proper drilling instructions. Secure the door assembly to the concrete using two (2) anchor bolt assemblies.

6 X 6 NOTES

IMPORTANT INFORMATION 8 X 8

LOCATING HOLES

When measuring for the holes, always start each measurement from the corner of the storm shelter to the hole, never go from hole to hole (see figure 1). Note: Use a level and chalk line to make an outline of the storm shelter. This will help insure you are marking the holes in the desired location.

1. Locate on the concrete where the back right corner of the storm shelter will be. This will be the starting location. Measure and mark each of the holes along the back wall of the storm shelter. Remember to start all measurements from the edge of the storm shelter.
2. Start from the back right corner. Measure and mark the locations of each of the holes along the right side wall. Remember to start all measurements from the edge of the storm shelter.
3. Start from the back left corner. Measure and mark the locations of each of the holes along the left side wall. Remember to start all measurements from the edge of the storm shelter.
4. Start from the front left corner. Measure and mark the locations of the first holes along the front wall of the storm shelter. Remember to start all measurements from the edge of the storm shelter. At this time you will not drill the two holes for the door.

DRILLING HOLES

1. Drill a hole in the concrete deeper than the wedge anchor embedment using a hammer drill and a correctly sized carbide tipped bit.
2. Clean out hole of all debris.
3. Place the nut on the end of the wedge anchor (to protect the threads of the wedge anchor during installation).
4. Hammer the wedge anchor into the hole deep enough so that the threads are below the surface of the base material.
5. Tighten the nut - turning approximately three or four full turns until tight.

The anchor bolts used in this assembly are RED HEAD® brand. For complete details of proper installation refer to the www.concretefasteners.com

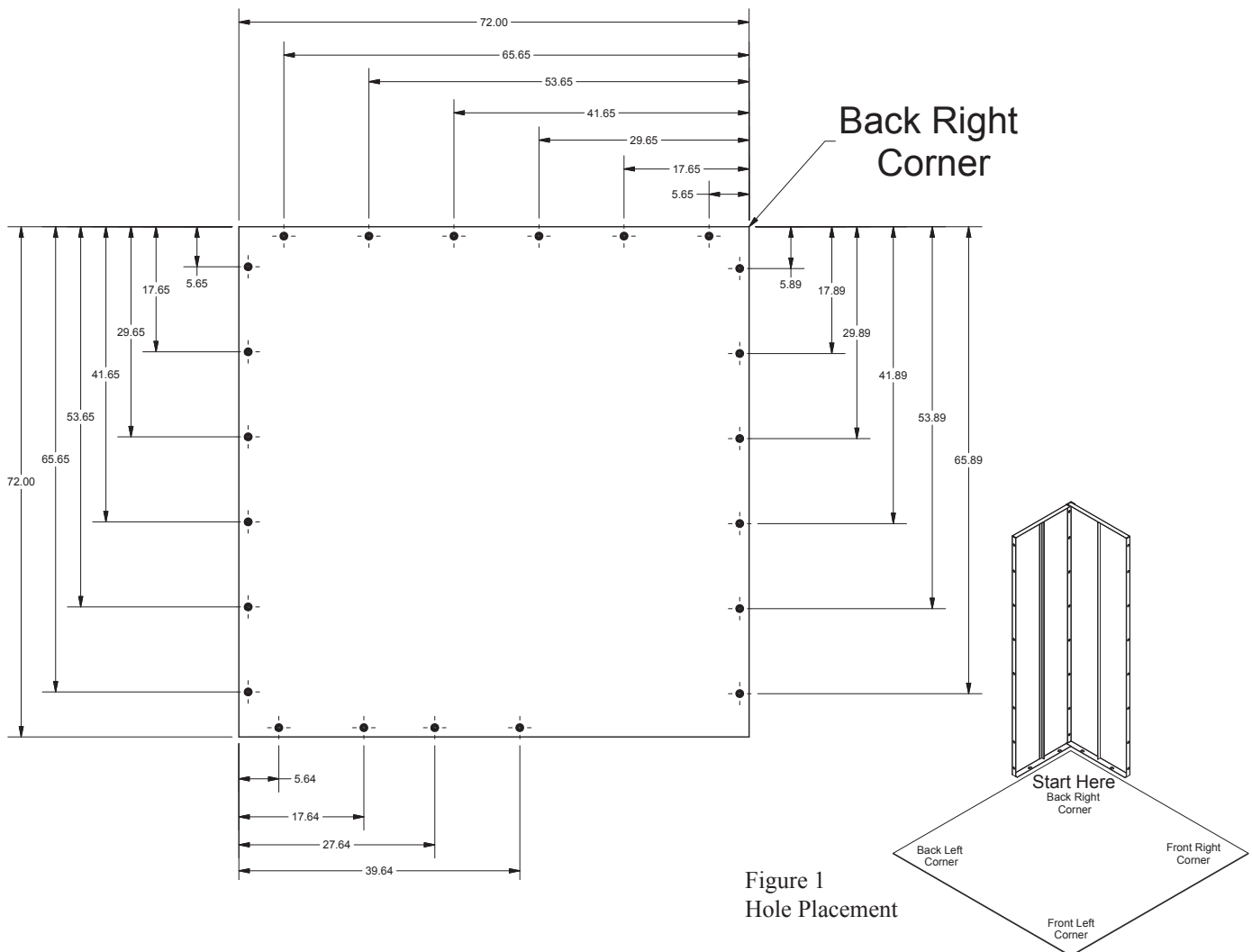
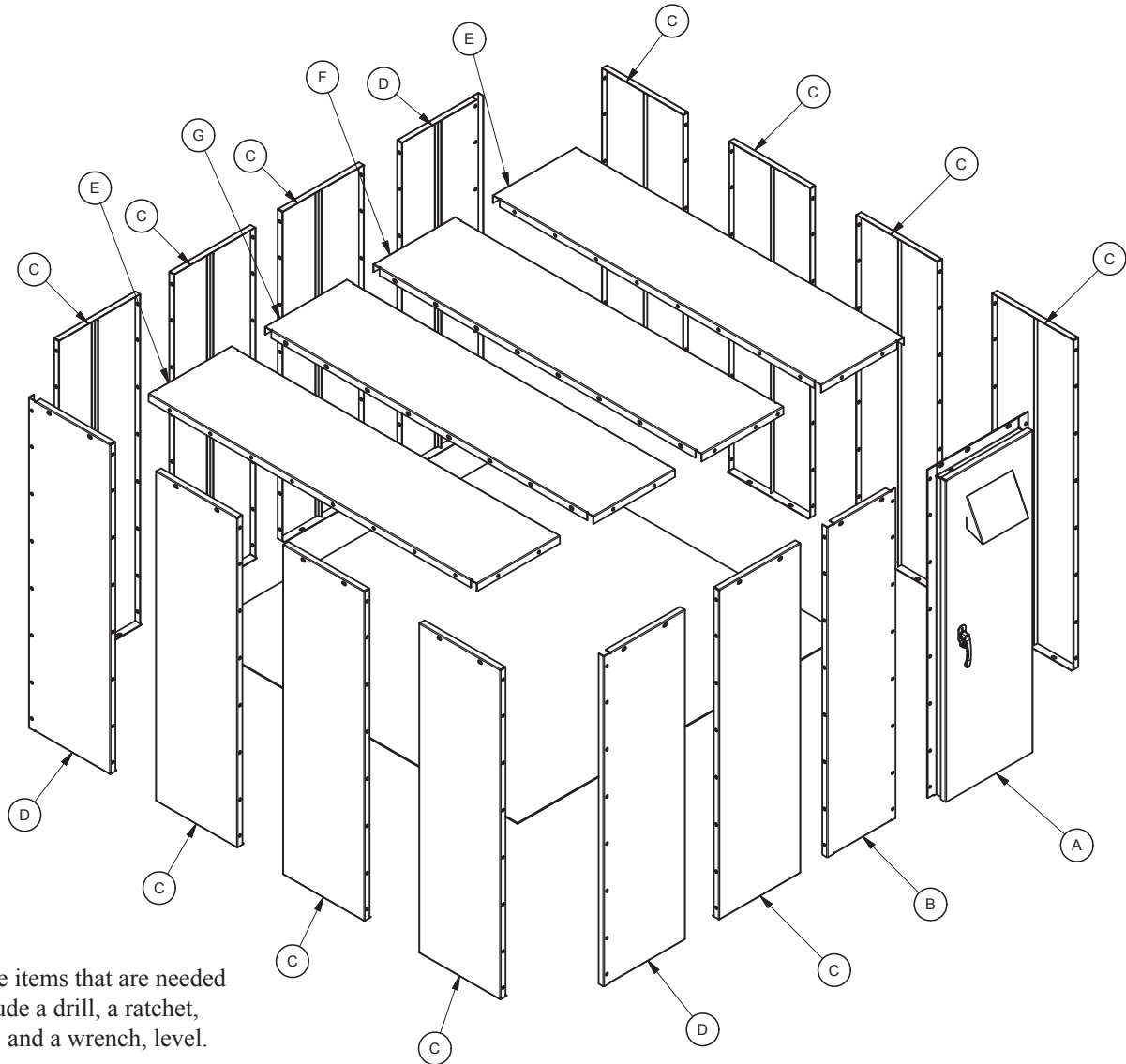


Figure 1
Hole Placement

THIS 8 X 8 KIT INCLUDES THE FOLLOWING:

CAUTION:

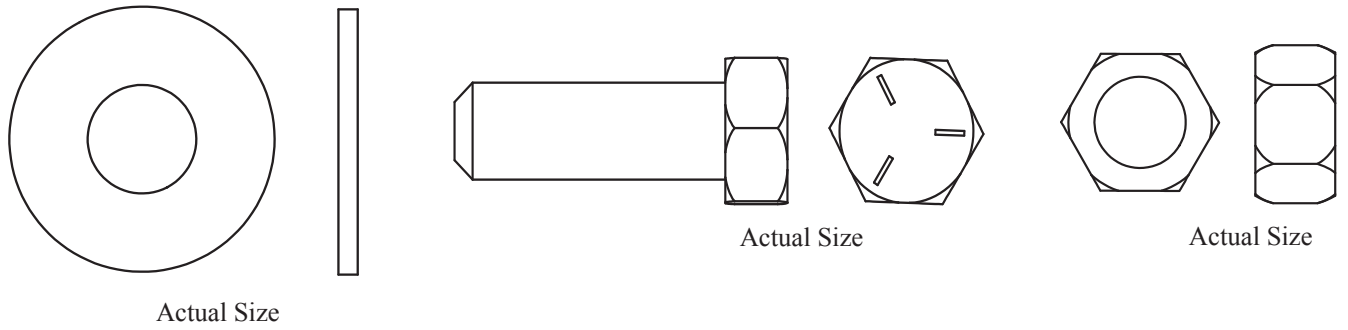
This is a two person job the panels are very heavy and proper lifting technique should be used.
The storm shelter should be assembled in the location it is intended to stay.



Some items that are needed include a drill, a ratchet, strap, and a wrench, level.

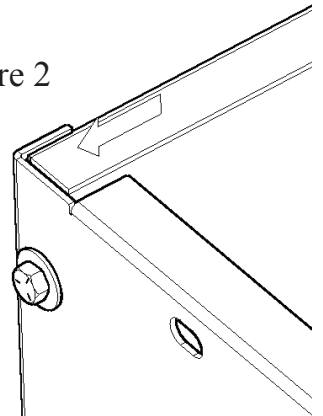
Key	Part	Description	Qty
A	610035	Door Assembly	1
B	610034	Front Panel	1
C	610031	Side Panel	11
D	610032	Corner Panel	3
E	610043	Top Left Panel	2
F	610045	Top Right Center Panel	1
G	610044	Top Left Center Panel	1
H	80695	LED Light	1

Key	Part	Description	Qty
I	83618	1/2-13 X 1-1/2 Grade 5 Hex Head Bolt	185
J	83619	Grade 5, 1/2 Washer (.563 ID X 1.375 OD)	370
K	83620	1/2-13 Grade 5 Hex Nut	185
L	83621	1/2 X 3-3/4 Grade 5 Steel Concrete Anchor	32
M	892379	Floor Pad 8 X 8	1



Key	Part	Description	Qty.
1	83618	1/2-13 X 1-1/2 Grade 5 Hex Head Bolt	133
2	83619	Grade 5, 1/2 Washer (.563 ID X 1.375 OD)	266
3	83620	1/2-13 Grade 5 Hex Nut	133
4	83621	1/2 X 3-3/4 Grade 5 Steel Concrete Anchor	24

Figure 2



DOOR HANDLE OPERATION

Turn door lever counter clockwise to open (see figure 5)
 Turn door lever clockwise to lock. (see figure 6)

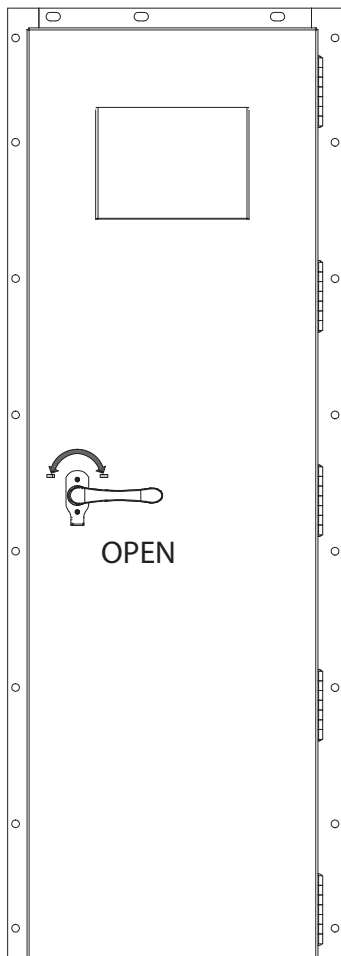


Figure 5

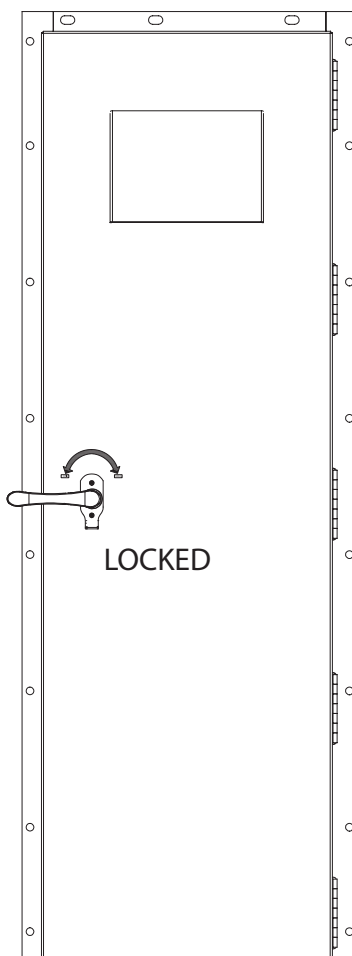


Figure 6

Figure 3
Bolt Assembly

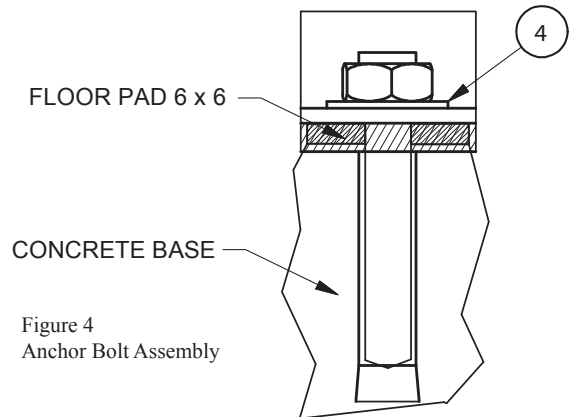
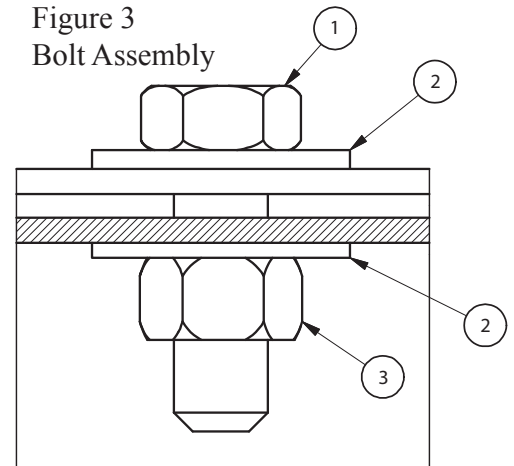


Figure 4
Anchor Bolt Assembly

8 X 8 ASSEMBLY

ASSEMBLE PANELS

In the following instructions when securing the panels to the concrete with anchor bolt assemblies follow the instructions given in the “Locating Holes” and “Drilling Holes” sections of this manual.

Before assembling the panels the floor pad will need to be properly prepared. Align the floor pad with the pre-drilled holes in the concrete. Use a rubber mallet and utility knife to puncture holes into the floor pad where the pre-drilled holes are located. The panels will be assembled on top of the floor pad.

1. Start in the back right corner of the shelter. (see figure 1)
2. Align panel D up with the pre-drilled holes in the concrete. Slide panel C into panel D (see figure 2). This will form the back right corner of the storm shelter. Use eight (8) bolt assemblies (figure 3) to attach panel D to panel C. Use four (4) anchor bolt assemblies (figure 4) to secure panel D and panel C to the concrete.
3. Along the back wall of the storm shelter attach panel C to the previously installed panel D with eight (8) bolt assemblies. Use two (2) anchor bolt assemblies to secure panel C to the concrete.
4. Along the back wall of the storm shelter attach another panel C to the previously installed panel C with eight (8) bolt assemblies. Use two (2) anchor bolt assemblies to secure panel C to the concrete.
5. Attach the last back wall panel C to the previously installed back wall panel C with eight (8) bolt assemblies. Use two (2) anchor bolt assemblies to secure panel C to the concrete.
6. Move to the right wall of the storm shelter and attach panel C to the previously installed panel C with eight (8) bolt assemblies. Use two (2) anchor bolt assemblies to secure panel C to the concrete.
7. Along the right wall of the storm shelter attach another panel C to the previously installed panel C with eight (8) bolt assemblies. Use two (2) anchor bolt assemblies to secure panel C to the concrete.
8. Attach the last right wall panel C to the previously installed right wall panel C with eight (8) bolt assemblies. Use two (2) anchor bolt assemblies to secure panel C to the concrete.
9. Move to the left wall of the storm shelter and slide panel D onto the previously installed back wall panel C (see figure 2). This will form the back left corner of the storm shelter. Attach panel D to panel C with eight (8) bolt assemblies. Use two (2) anchor bolt assemblies to secure panel D to the concrete.
10. Along the left wall of the storm shelter attach panel C to the previously installed panel D with eight (8) bolt assemblies. Use two (2) anchor bolt assemblies to secure panel C to the concrete.
11. Along the left wall of the storm shelter attach another panel C to the previously installed panel C with eight (8) bolt assemblies. Use two (2) anchor bolt assemblies to secure panel C to the concrete.
12. Attach the last left wall panel C to the previously installed left wall panel C with eight (8) bolt assemblies. Use two (2) anchor bolt assemblies to secure panel C to the concrete.
13. On the front wall of the storm shelter, slide panel D onto the previously installed left wall panel C (see figure 2). This will form the front left corner of the storm shelter. Use eight (8) bolt assemblies to attach panel D to panel C. Use two (2) anchor bolts assemblies to secure panel D to the concrete.
14. Along the front wall of the storm shelter attach panel C to panel D with eight (8) bolt assemblies. Use two (2) anchor bolt assemblies to secure panel C to the concrete.
15. Move to the right front corner of the storm shelter. Use eight (8) bolt assemblies to attach the door assembly to the previously installed panel C. This will form the front right corner of the storm shelter.
16. Attach the last front panel B to the previously installed door assembly and panel C using sixteen (16) bolt assemblies. Use two (2) anchor bolt assemblies to secure panel 2 to the concrete.
17. Place panel F onto the top mid section of the storm shelter.
18. Place panel G onto the top mid section of the storm shelter.
19. Slide panel E onto the top left side of the storm shelter.
20. Slide panel E onto the top right side of the storm shelter.
21. Attach all four of the top panels together using twenty four (24) bolt assemblies.
22. Attach all four of the top panels to the base panels using the remaining bolts assemblies starting on the right front corner and working counter clockwise around the storm shelter.
23. Open the door of the storm shelter. Drill two holes into the concrete through the two pre-drilled holes on the bottom flange of the door assembly. Refer to the “Locating Holes” and “Drilling Holes” sections of this manual for proper drilling instructions. Secure the door assembly to the concrete using two (2) anchor bolt assemblies.

HOW TO ORDER REPAIR PARTS

This manual will help you obtain efficient, dependable service from your Storm Shelter, and enable you to order repair parts correctly.

Keep this manual in a safe place for future reference.

When writing, always give the full model number which is on the nameplate attached to the heater.

When ordering repair parts, always give the following information as shown in this list:

1. The part number
2. The part description
3. The model number: _____
4. The serial number: _____



U. S. Stove
227 Industrial Park Rd. South Pittsburg, TN 37380
Phone (866) 606-8444
www.usstove.com

WARRANTY INFORMATION CARD

Name _____ Telephone #: (____) _____

City _____ State _____ Zip _____

Email Address _____

Model # of Unit _____ Serial # _____

Place of Purchase (Retailer) _____

City _____ State _____ Zip _____

If internet purchase, please list website address _____

Date of Purchase _____

What was the determining factor for purchasing your new storm shelter? _____

I have read the owner's manual that accompanies this unit and fully understand the:

Installation Operation and Maintenance of my new storm shelter.

Print Name

Signature

Date

Please attach a copy of your purchase receipt.

Warranty not valid without a Proof of Purchase.

Warranty information must be received within 30 days of original purchase.

Detach this page from this manual and mail to the address provided.

You may also register online by going to www.usstove.com

All information submitted will be kept strictly confidential. Information provided will not be sold for advertising purposes.
Contact information will be used solely for the purpose of product notifications.

WARRANTY

This product has been manufactured and tested to the highest quality standards. This Limited Warranty offered by U.S. Stove Company covers defects in material or workmanship of your new Safe Room storm shelter. This warranty extends to the original purchaser only and is nontransferable. Only consumers purchasing U.S. Stove Safe Rooms from authorized U.S. Stove dealer retailers, resellers, or through the U.S. Stove website may obtain coverage under our limited warranties.

U.S. Stove warrants this product against defects in material or workmanship as follows:

U.S. Stove will replace parts only at no charge or, at U.S. Stoves discretion, replace any product or part of the product that proves defective because of improper workmanship and/or material, under normal installation, use, service and maintenance.

If U.S. Stove is unable to provide a replacement, and repair is not practical or cannot be made in a timely fashion, U.S. Stove may elect to refund the purchase price in exchange for the return of the product.

This warranty is in effect for the lifetime of the product from the documented date of purchase as established by a written sales order or receipt.

Our warranty does not cover any problem that is caused by:

- A. Conditions, malfunctions, or damage not resulting from defects in materials or workmanship.
- B. Conditions, malfunctions, or damage resulting from normal wear and tear, improper installation, improper maintenance, misuse, abuse, negligence, accident, or alteration.
- C. Accessories, connected materials and products, or related products not manufactured by U.S. Stove.

U.S. Stove will only provide coverage under this warranty if proof of purchase can be established to its satisfaction through receipt or sales order. In order for this warranty to remain in-force after the first anniversary of purchase, purchaser must within 30-days of each anniversary of purchase, submit to manufacturer a minimum of five color photographs showing the exterior of the door, the door hinges, the floor, and the sidewalls of the safe room. Purchaser should take special care to photograph any damage to the safe room so that the manufacturer may, at its sole and exclusive option, take steps to mitigate such damage.

Defects in installation will be covered under this warranty only if the product is installed by the manufacturer or factory authorized installer. This warranty is void if, in the sole and exclusive assessment of the manufacture, the product has been altered or modified in such a way as to affect the structure or soundness of the product or if such alterations or modifications are found by manufacturer to have contributed to the failure of the product.

To obtain service under this Limited Lifetime Warranty, please contact U.S. Stove by writing at the following address:

U.S. Stove
227 Industrial Park Rd.
South Pittsburg, TN 37380

In your claim, please provide a copy of the original proof of purchase including the address at which the product is situated. Provide your contact phone number along with e-mail address (if available), a written description of the problem, and photographs depicting the defect in materials or workmanship. You can expect to hear from a representative of our company within two weeks of receipt of your warranty claim. Manufacturer specifically disclaims and will be held harmless for any incidental or consequential damages, including but not limited to, loss of use of the shelter and any injury or loss that may arise pursuant thereto. Purchaser acknowledges receipt of this warranty at the time of purchase and agrees to be bound by the terms and conditions included herein. Any dispute arising from this Limited Lifetime Warranty shall be adjudicated in Marion County, South Pittsburg Tennessee, USA. This warranty gives you specific legal rights, and you may also have other rights that vary from state to state. Our warranties do not affect any additional rights consumers have under laws in their jurisdictions governing the sale of consumer goods. Some states do not allow the exclusion or limitation of incidental or consequential damages, so the limitations or exclusions in our warranty may not apply. You may be required by law to give us a reasonable opportunity to correct or cure any failure before you can bring any action in court against us under the Magnuson-Moss Warranty Act.