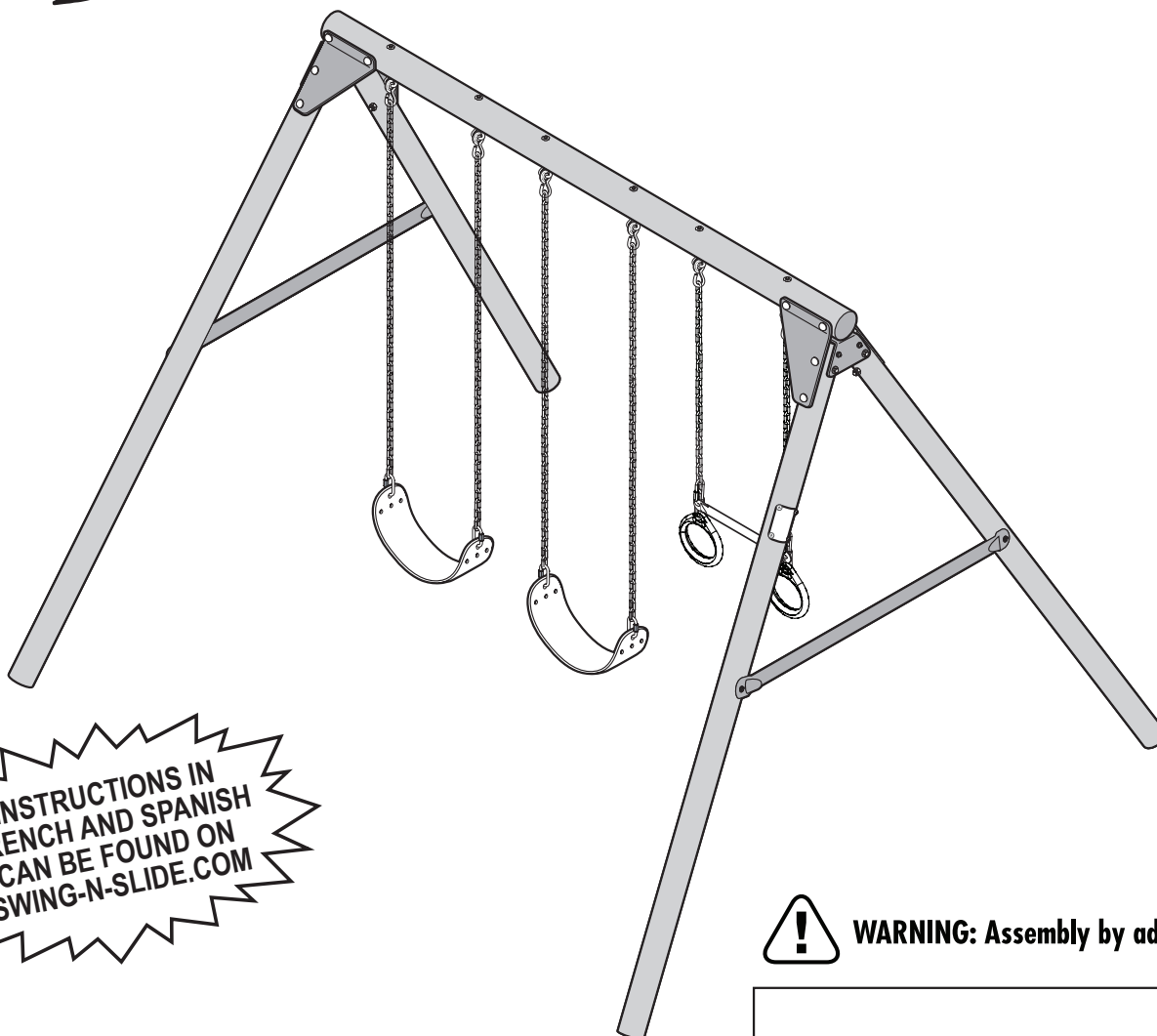


# Swing-N-Slide®

WE PUT *Kids* FIRST!

# Model: PB 8330



INSTRUCTIONS IN  
FRENCH AND SPANISH  
CAN BE FOUND ON  
[SWING-N-SLIDE.COM](http://SWING-N-SLIDE.COM)



**WARNING: Assembly by adult.**



**Safety**  
**Sûreté**  
**Seguridad**

**FOR PRIVATE BACKYARD USE ONLY  
DO NOT USE IN PUBLIC SETTINGS!**

## IMPORTANT!!

### PLEASE READ BEFORE BEGINNING ASSEMBLY!!

Please make sure all lumber, hardware and accessory parts are accounted for.  
If you are missing anything, please **DO NOT RETURN** to the store where purchased.  
Please call our Customer Service Department at the number below.

## ASSEMBLY INSTRUCTIONS

Swing-N-Slide • 1212 Barberrt Drive • Janesville, Wisconsin 53545  
Visit our web sit at: [www.swing-n-slide.com](http://www.swing-n-slide.com) or call us at 1-800-888-1232



## Safety Checklist for Swing-N-Slide Play Sets and Accessories

### Observing the following statements and warnings reduces the likelihood of serious or fatal injury

- This playset has been designed for use by a maximum of three occupants at one time having a combined weight of 345 pounds.
- This playset is intended for use by children from (2) to (10) years of age.
- On-site adult supervision for children of all ages is recommended.
- Instruct children not to walk close to, in front of, behind, or between moving items.
- Instruct children not to twist swing chains or ropes or loop them over the top support bar since this may reduce the strength of the chain or rope.
- Instruct children to avoid swinging empty seats.
- Teach children to sit in the center of the swings with their full weight on the seats.
- Instruct children not to use the equipment in a manner other than intended.
- Instruct children not to get off equipment while it is in motion.
- Do not allow children to wear inappropriate items, such as but not limited to, loose fitting clothing, hood and neck drawstrings, scarves, cord-connected items, capes and ponchos. These items can cause death by strangulation.
- Instruct children not to climb when the equipment is wet. Slippery surfaces may cause a hazard.
- Verify that suspended climbing ropes, chain, or cable are secured at both ends.
- Verify that suspended climbing ropes, chain, or cable cannot be looped back on itself.
- Instruct children not to attach items to the playground equipment that are not specifically designed for use with the equipment, such as, but not limited to, jump ropes, clothesline, pet leashes, cables and chain as they may cause a strangulation hazard.
- Instruct children to remove their bike or other sports helmet before playing on the playground equipment.
- Dress children with well-fitting and full foot enclosing footwear. Examples of inappropriate footwear are clogs, flip flops, and sandals.
- Instruct children to not walk or run up slides.
- Instruct children to not pick up slides or ramps as this may cause damage or breakage.
- Place the equipment on level ground not less than six (6) feet from any obstructions. Be sure to look overhead for any obstructions above the playset.
- Do not use the equipment until fully erected per this playset instruction manual, bolts tightened and the playset is anchored to the ground.

### **IMPORTANT!**

**This product is intended for single family home/residential use only and not intended for use in any public setting. Placement in any public setting constitutes a misuse of this product.**

# PLAYSET MAINTENANCE

Cosmetic defects that do not affect the structural integrity of the product, or natural defects of wood such as warping, splitting, checking, twisting, shrinkage, swelling or any other physical properties of wood that do not present a safety hazard, are not covered by our warranty.

To help minimize these natural defects we recommend applying a sealer or stain every two or three years, or more often as the climate dictates. Power washing, sanding or other preparatory methods should be used prior to sealing or staining.

Periodic maintenance is required to ensure safe enjoyment of your playset and accessories. Read and follow the Playset Checklist below to reduce the likelihood of serious or fatal injury. Use the checklists as a guide for proper playset care and maintenance.

## PLAYSET CHECKLIST

### At the beginning of each play season:

- Tighten all hardware.
- Lubricate all metallic moving parts per manufacturer's instructions.
- Check all protective coverings on bolts, pipes, edges, and corners. Replace if they are loose, cracked, or missing.
- Check all moving parts including swing seats, ropes, cables, and chains for wear, rust, or other deterioration. Replace as needed.
- Check metal parts for rust. If found, sand and repaint using a nonleaded-based paint meeting the requirements of 16 CFR 1303.
- Check all wood members for deterioration and splinters. Sand down splinters and replace deteriorating wood members.
- Reinstall any plastic parts, such as swing seats or any other items that were removed for the cold season.
- Rake and check depth of loose fill protective surfacing materials to prevent compaction and to maintain appropriate depth. Replace as necessary.

### Twice a month during play season:

- Tighten all hardware.
- Check all protective coverings on bolts, pipes, edges, and corners. Replace if they are loose, cracked, or missing.
- Rake and check depth of loose fill protective surfacing materials to prevent compaction and to maintain appropriate depth. Replace as necessary.

### Once a month during play season:

- Lubricate all metallic moving parts per manufacturer's instructions.
- Check all moving parts including swing seats, ropes, cables, and chains for wear, rust, or other deterioration. Replace as needed.

### At the end of each play season or when the temperature drops below 10°F:

- Remove plastic swing seats, tents, sandbox cover, tire swing, slide and other items as specified by the manufacturer and take indoors or do not use.
- Rake and check depth of loose fill protective surfacing materials to prevent compaction and to maintain appropriate depth. Replace as necessary.
- Owner shall be responsible for maintaining the legibility of warning labels.

**When you are ready to dispose of your playset, make sure that all metal, plastic and wood components are disposed of in accordance with local waste ordinances.**

**Buyer and/or owner should disassemble and dispose of the playground equipment in such a way that no unreasonable hazards will exist at the time the swing set is discarded. Do not burn your playset's preserved wood.**

**For further information on playground safety, the Consumer Product Safety Commission (CPSC) publishes the Outdoor Home Playground Safety Handbook which can be downloaded for free from [www.cpsc.gov](http://www.cpsc.gov). An additional resource is the American Society of Testing and Materials (ASTM) Standard Consumer Safety Performance Specification for Home Playground Equipment (ASTM F1148) which can be purchased and downloaded from [www.astm.org](http://www.astm.org).**

# PLAYGROUND SURFACING MATERIALS

## SECTION 4 OF THE CONSUMER PRODUCT SAFETY COMMISSION'S OUTDOOR HOME PLAYGROUND SAFETY HANDBOOK<sup>9</sup>

### Select Protective Surfacing

One of the most important things you can do to reduce the likelihood of serious head injuries is to install shock-absorbing protective surfacing under and around your play equipment. The protective surfacing should be applied to a depth that is suitable for the equipment height in accordance with ASTM Specification F 1292. There are different types of surfacing to choose from; whichever product you select, follow these guidelines:

**NOTE:** Do not install home playground equipment over concrete, asphalt, or any other hard surface. A fall onto a hard surface can result in serious injury to the equipment user. Grass and dirt are not considered protective surfacing because wear and environmental factors can reduce their shock absorbing effectiveness. Carpeting and thin mats are generally not adequate protective surfacing. Ground level equipment - such as a sandbox, activity wall, playhouse or other equipment that has no elevated play surface - does not need any protective surfacing.

**Maximum fall height for this playset is 80".**

#### Loose-Fill Materials:

- Maintain a minimum depth of 9 inches of loose-fill materials such as wood mulch/chips, engineered wood fiber (EWF), or shredded/recycled rubber mulch for equipment up to 8 feet high; and 9 inches of sand or pea gravel for equipment up to 5 feet high. NOTE: An initial fill level of 12 inches will compress to about a 9-inch depth of surfacing over time. The surfacing will also compact, displace, and settle, and should be periodically refilled to maintain at least a 9-inch depth.
- Use a minimum of 6 inches of protective surfacing for play equipment less than 4 feet in height. If maintained properly, this should be adequate. (At depths less than 6 inches, the protective material is too easily displaced or compacted.)
- Use containment, such as digging out around the perimeter and/or lining the perimeter with landscape edging. Don't forget to account for water drainage.
- Check and maintain the depth of the loose-fill surfacing material. To maintain the right amount of loose-fill materials, mark the correct level on play equipment support posts. That way you can easily see when to replenish and/or redistribute the surfacing.
- Do not** install loose fill surfacing over hard surfaces such as concrete or asphalt.

#### Poured-In-Place Surfaces or Pre-Manufactured Rubber Tiles:

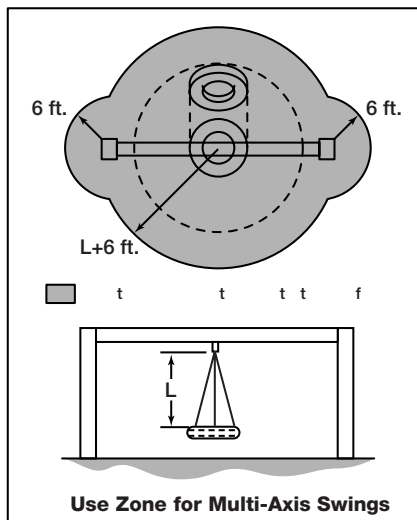
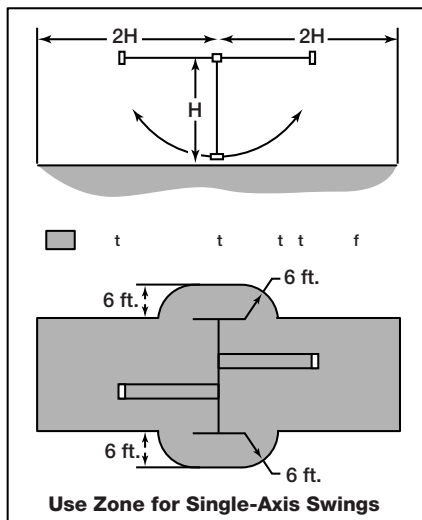
You may be interested in using surfacing other than loose-fill materials - like rubber tiles or poured-in-place surfaces.

- Installations of these surfaces generally require a professional and are not "do-it-yourself" projects.
- Review surface specifications before purchasing this type of surfacing. Ask the installer/manufacturer for a report showing that the product has been tested to the following safety standard: ASTM F 1292 Standard Specification for Impact Attenuation of Surfacing Materials within the Use Zone of Playground Equipment. This report should show the specific height for which the surface is intended to protect against serious head injury. This height should be equal to or greater than the fall height - vertical distance between a designated play surface (elevated surface for standing, sitting, or climbing) and the protective surfacing below - of your play equipment.
- Check the protective surfacing frequently for wear.

#### Placement

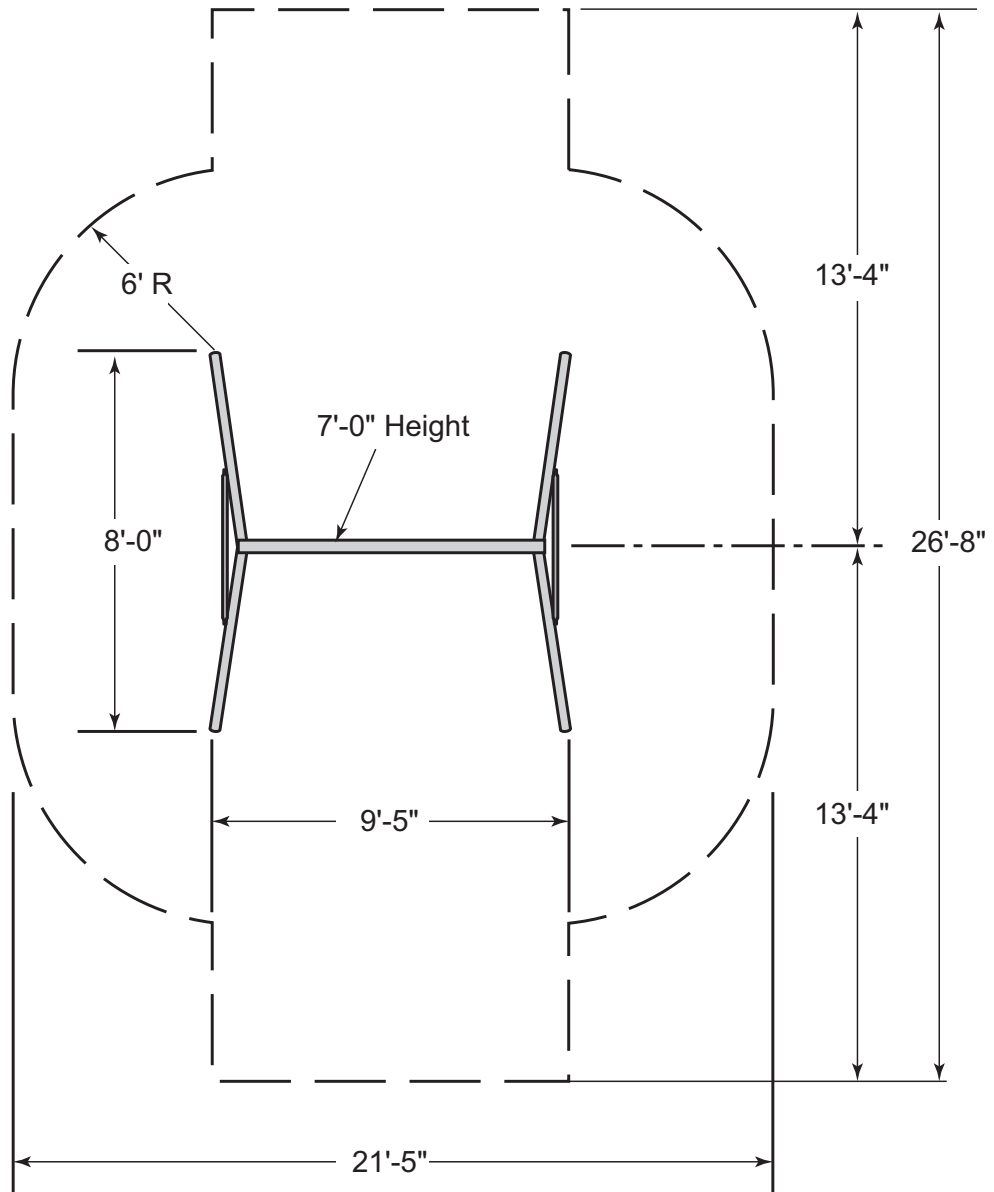
Proper placement and maintenance of protective surfacing is essential. Be sure to

- Extend surfacing at least 6 feet from the equipment in all directions.
- For to-fro swings, extend protective surfacing in front of and behind the swing to a distance equal to twice the height of the top bar from which the swing is suspended.
- For tire swings, extend surfacing in a circle whose radius is equal to the height of the suspending chain or rope, plus 6 feet in all directions.



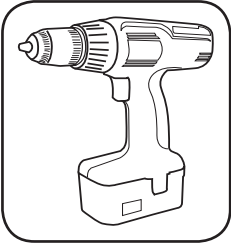
<sup>9</sup> This information has been extracted from the CPSC publications "Playground Surfacing-Technical Information Guide" and "Handbook for Public Playground Safety." Copies of these reports can be obtained by sending a postcard to the: Office of Public Affairs, U.S. Consumer Product Safety Commission, Washington, D.C., 20207 or call the toll-free hotline: 1-800-638-2772

# SAFETY ZONE

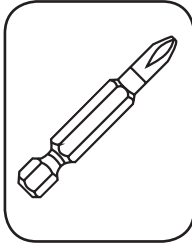


MINIMUM USE ZONE FOR PLAY EQUIPMENT SHALL EXTEND NO LESS THAN 72" FROM ALL SIDES OF THE PLAY STRUCTURE.  
SWING USE ZONE EXTENDS NO LESS THAN 160".  
SWINGS MUST HAVE A MINIMUM CLEARANCE OF 8" ABOVE THE PROTECTIVE SURFACING.

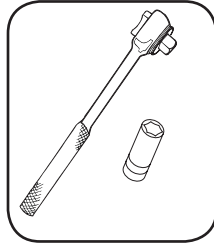
## TOOLS REQUIRED



DRILL



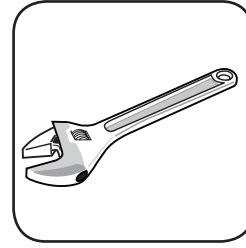
SCREWDRIVER



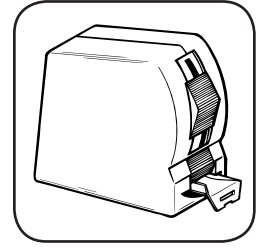
1/2" & 7/16" SOCKETS  
& WRENCH



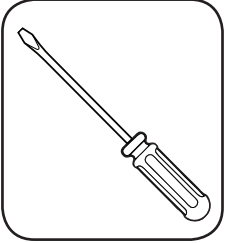
HAMMER



ADJUSTABLE  
WRENCH



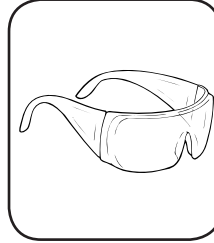
TAPE MEASURE



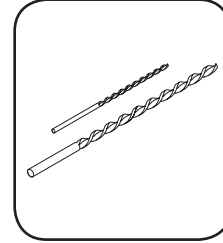
LADDER



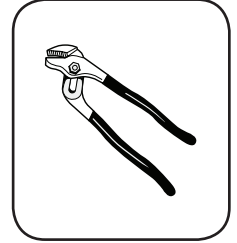
CARPENTER  
SQUARE



SAFETY GLASSES

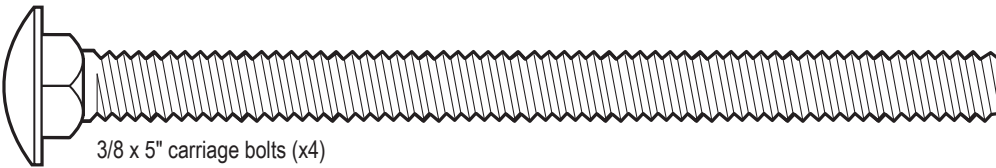


1/8" DRILL BIT &  
1/4" DRILL BIT

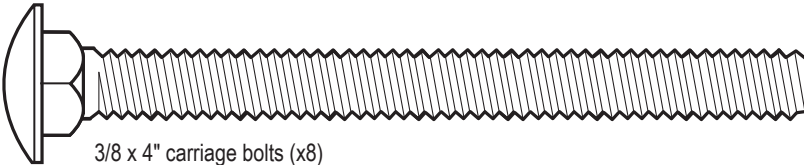


PLIERS

## INCLUDED HARDWARE



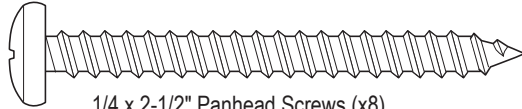
3/8 x 5" carriage bolts (x4)



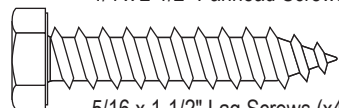
3/8 x 4" carriage bolts (x8)



3/8 x 2-1/2" Lag Screws (x6)



1/4 x 2-1/2" Panhead Screws (x8)



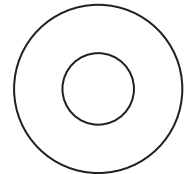
5/16 x 1-1/2" Lag Screws (x4)



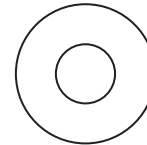
1-1/4" Screws (x12)



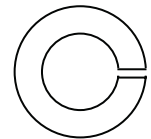
1/4 x 1/2" Panhead Screws (x4)



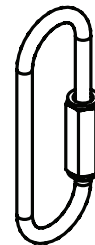
3/8" Flat Washer (x18)



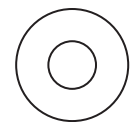
5/16" Flat Washer (x4)



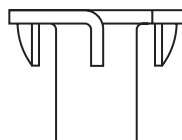
3/8" Lock Washer (x6)



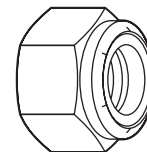
Quick Clips (x6)



1/4" Flat Washer (x8)



T-Nut (x6)



3/8" Loc Nut (x12)



1/4" Lock Washer (x8)

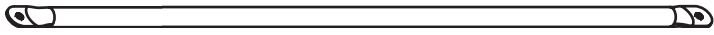
# COMPONENTS



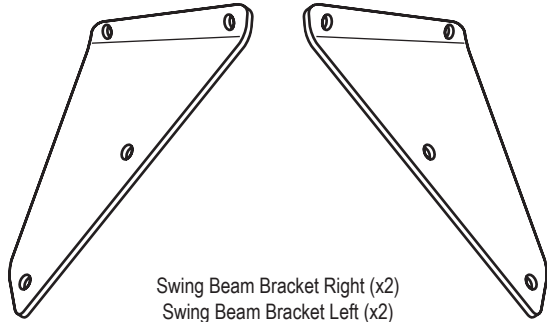
4" Dia. x 93" Plastic-coated Post (x1)



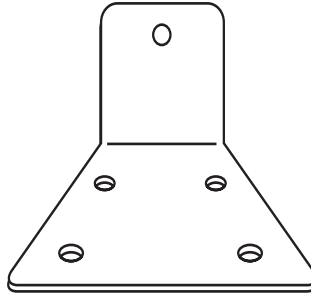
3-1/4" Dia. x 93" Plastic-coated Post (x4)



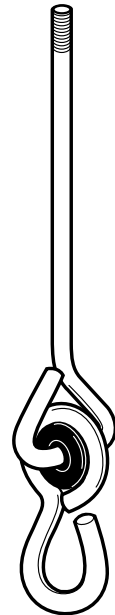
1-1/2" Dia. x 49" A-Frame Brace (x2)



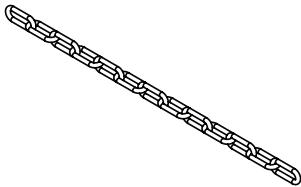
Swing Beam Bracket Right (x2)  
Swing Beam Bracket Left (x2)



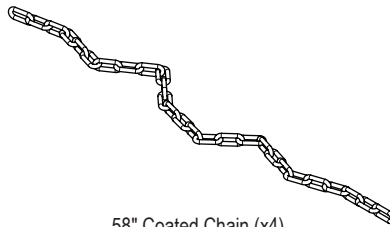
Swing Beam Under Beam (x2)



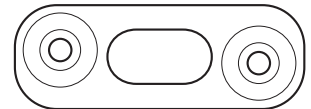
Swing Hangers (x6)



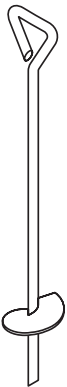
26" Coated Chain (x2)



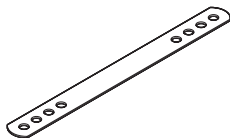
58" Coated Chain (x4)



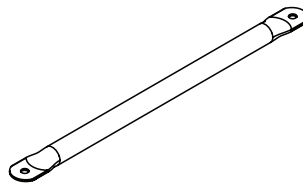
Beam Clamp (slotted) (x6)



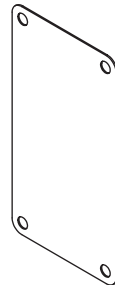
Anchor It (x4)



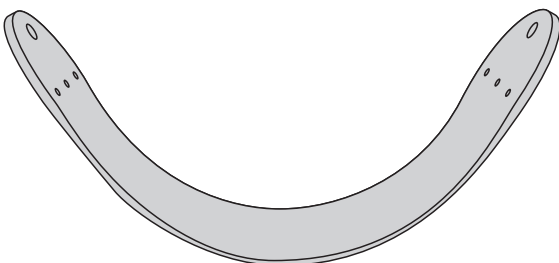
Anchor It Strap (x4)



Trapeze Bar (x1)



ID Tag (x1)



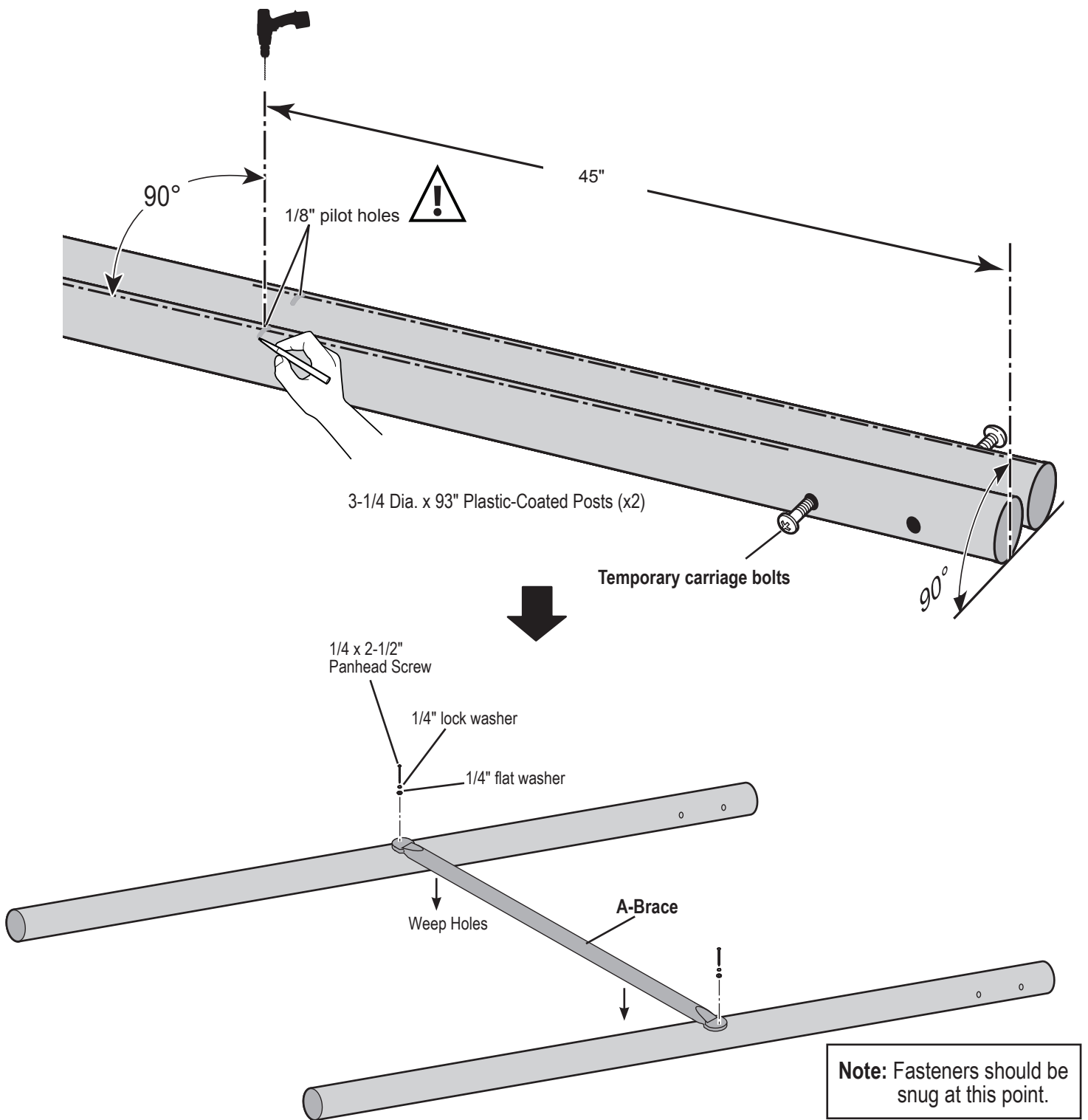
Sling Seats (x2)



Rings (x2)



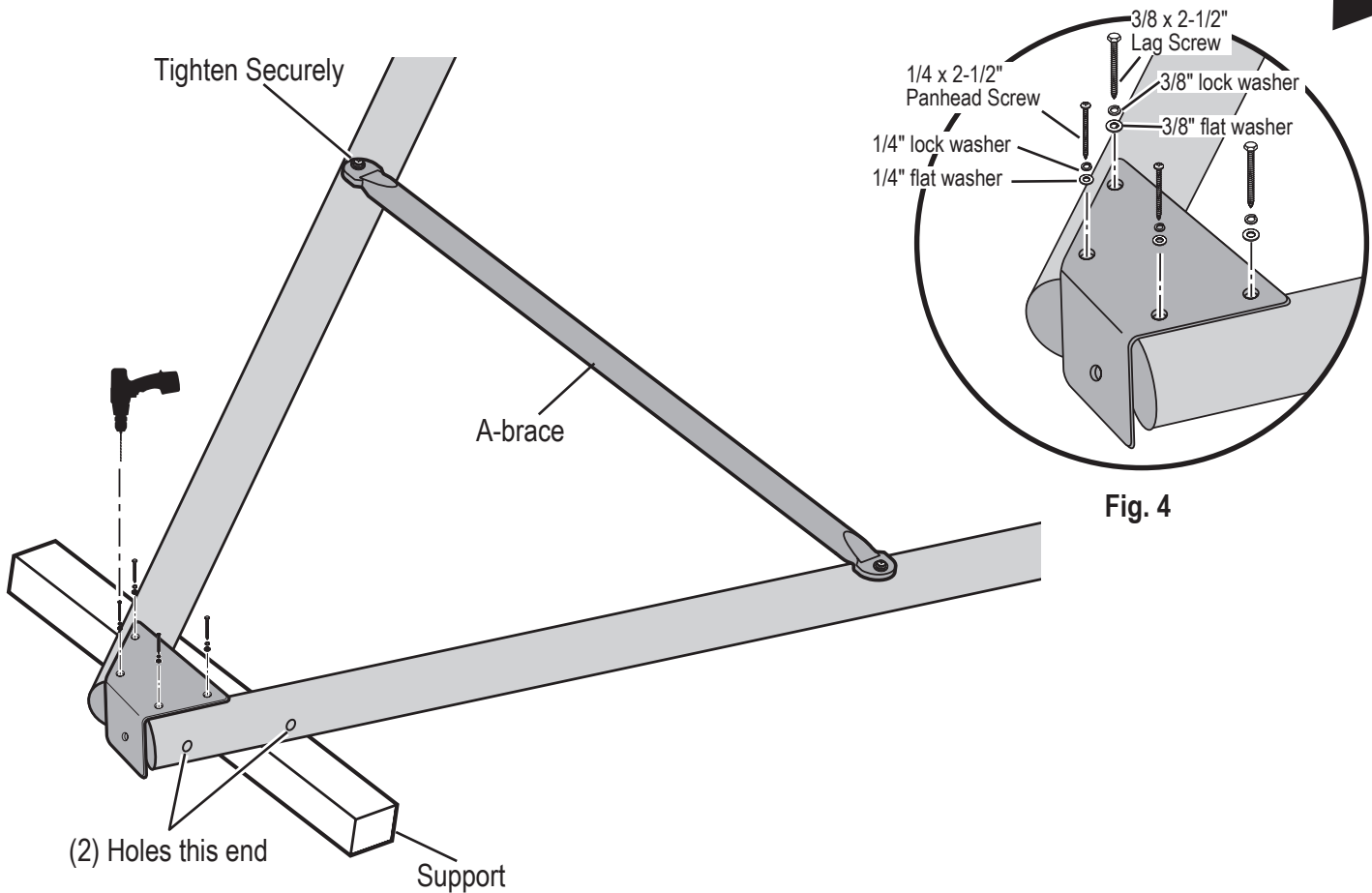
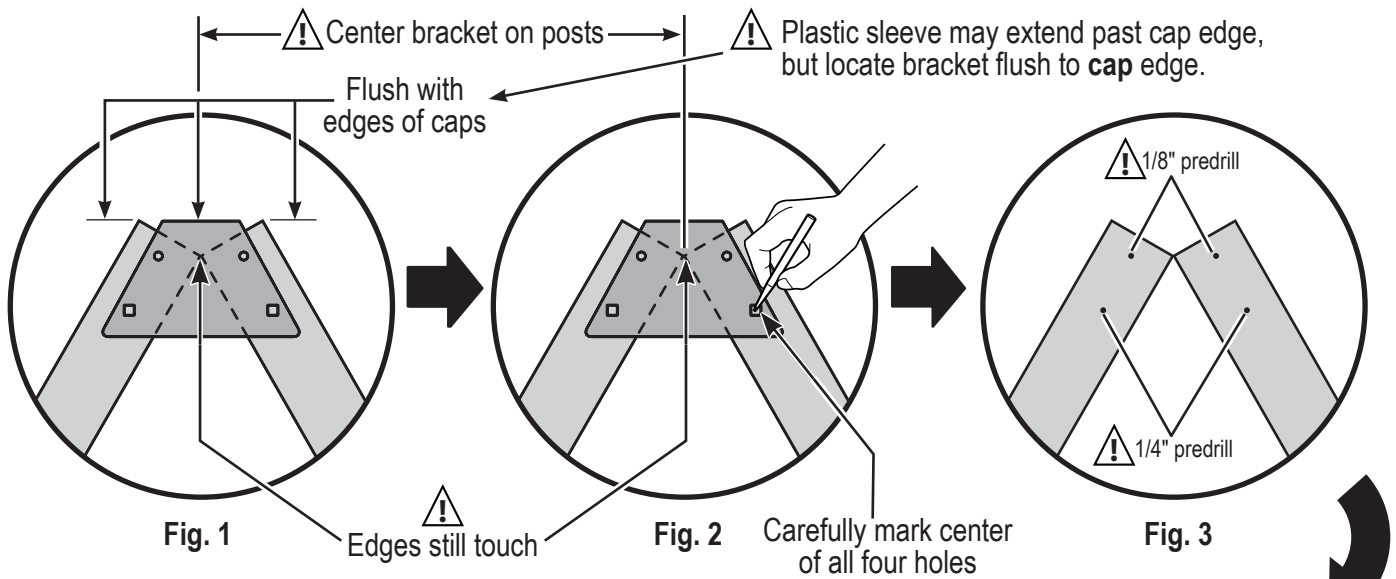
Plan (x1)



**You will assemble two A-frame post assemblies.**

1. Place two posts side-by-side on a flat surface.
2. Temporarily insert two 5" carriage bolts to keep posts square for pre-drilling.  
 ⚠ **It's important to drill holes square to holes in posts.**
3. Measure and mark holes. Drill pilot holes to size shown.
4. Move posts apart and locate and attach A-brace as shown.  
 ⚠ **Tighten screws snug but do NOT fully tighten screws on brace yet.**





1. Use a temporary support under ends and carefully swing posts together until edges touch. **Fig. 1**

**Tighten screws on A-brace securely now.**

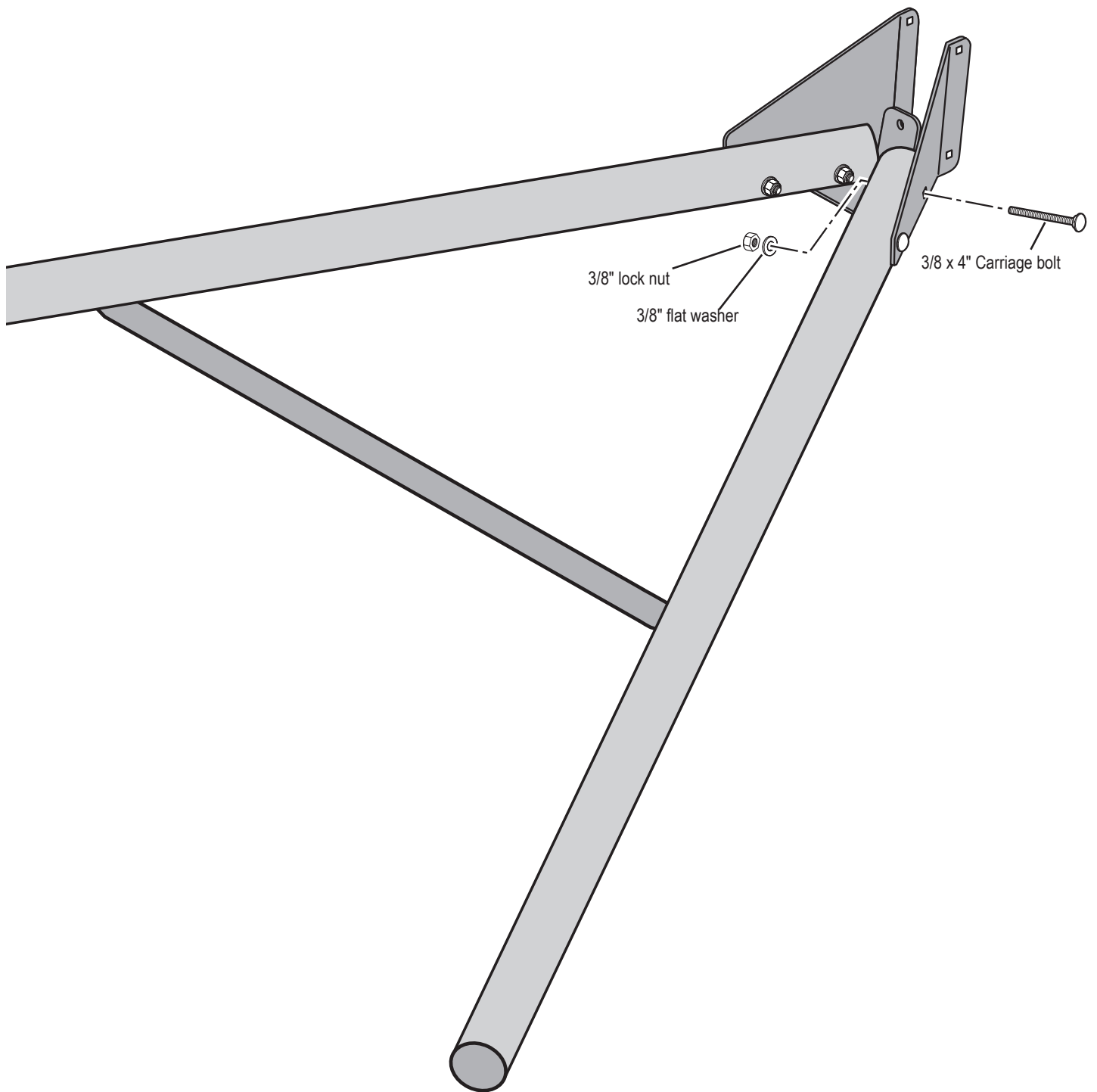
2. Place the L-bracket centered on the posts and flush to the post cap edge. **Fig. 1**

3. Carefully mark the center of all four holes. **Fig. 2**

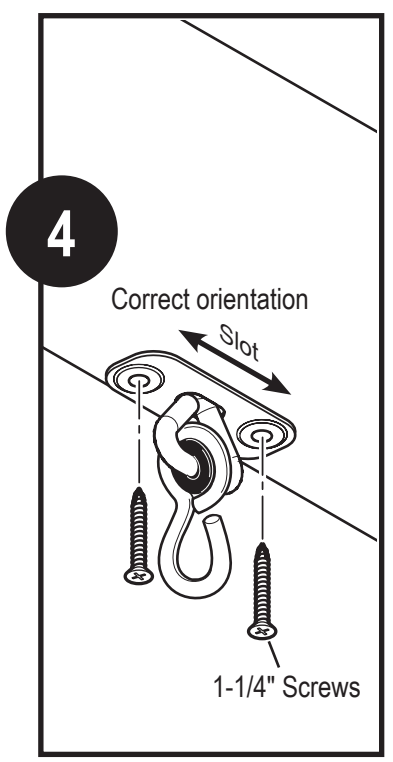
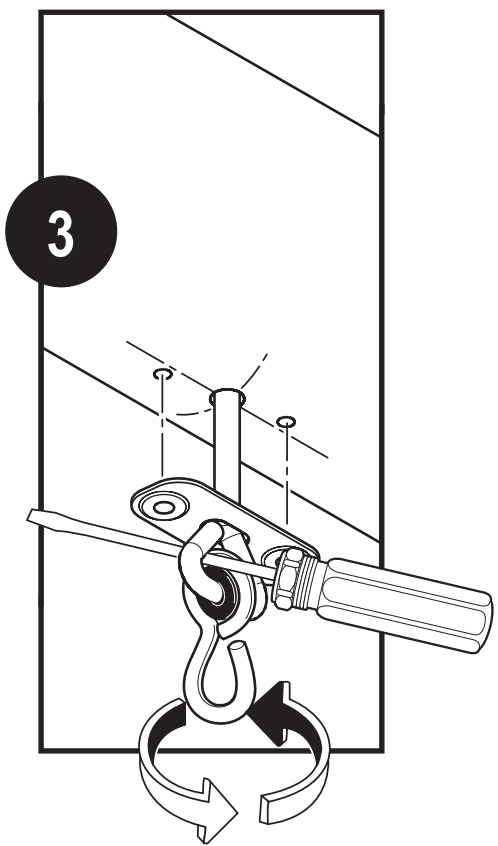
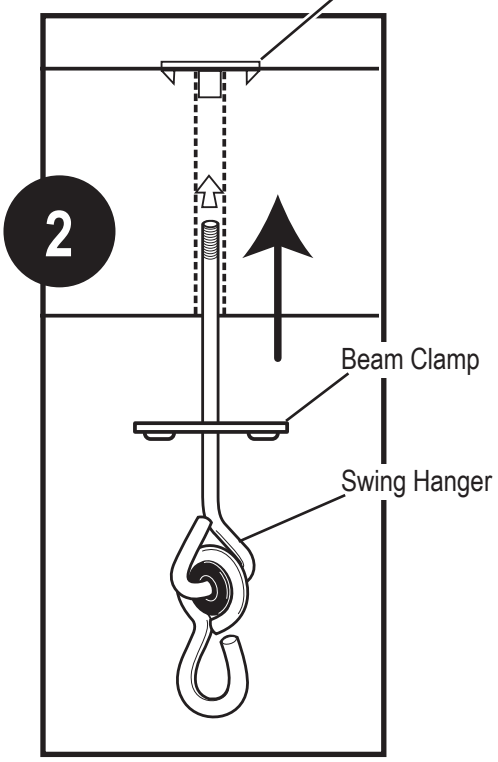
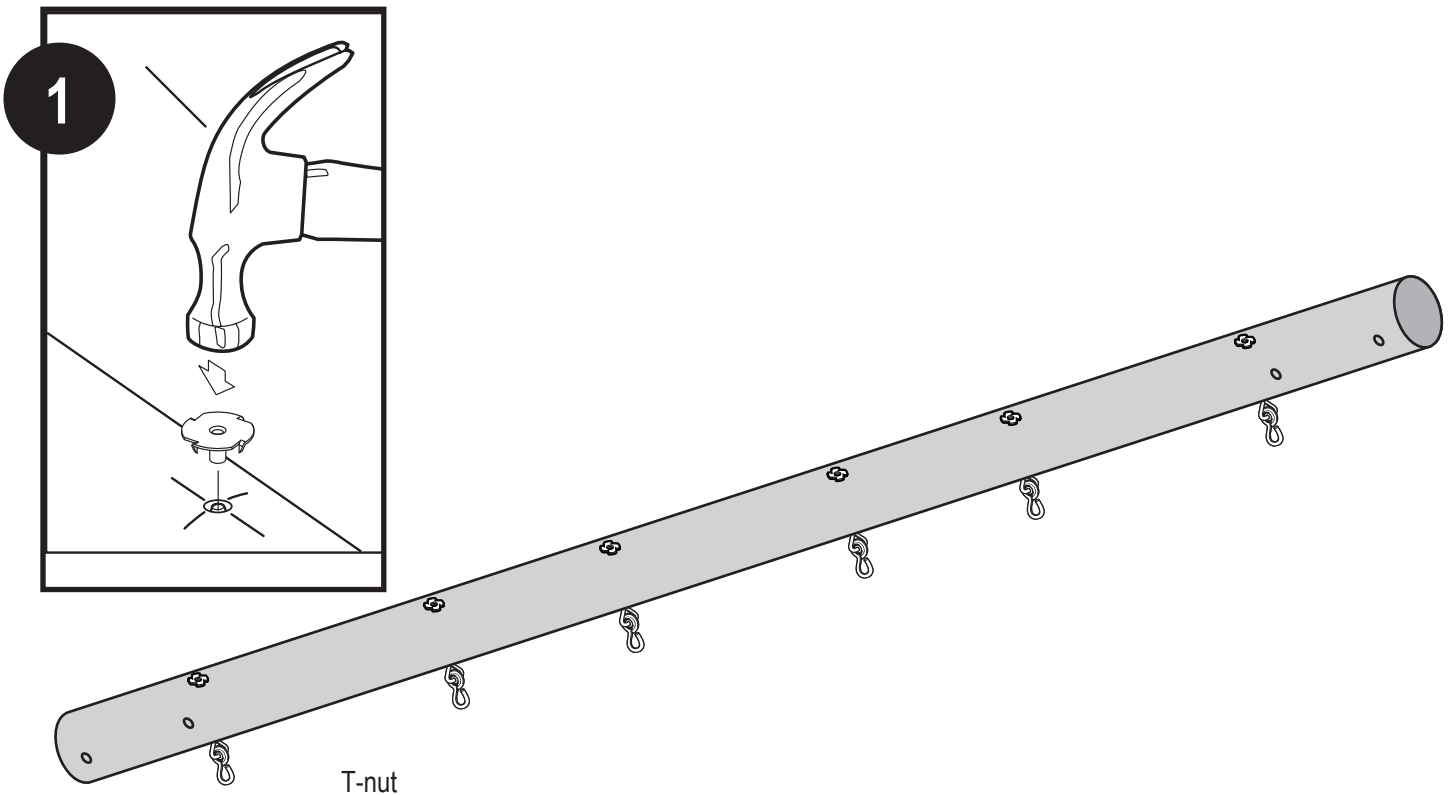
4. Remove the L-bracket and predrill all four holes. **Fig. 3**

**⚠️ Note: there are two sizes of predrilled holes. Predrill holes square to holes in posts.**

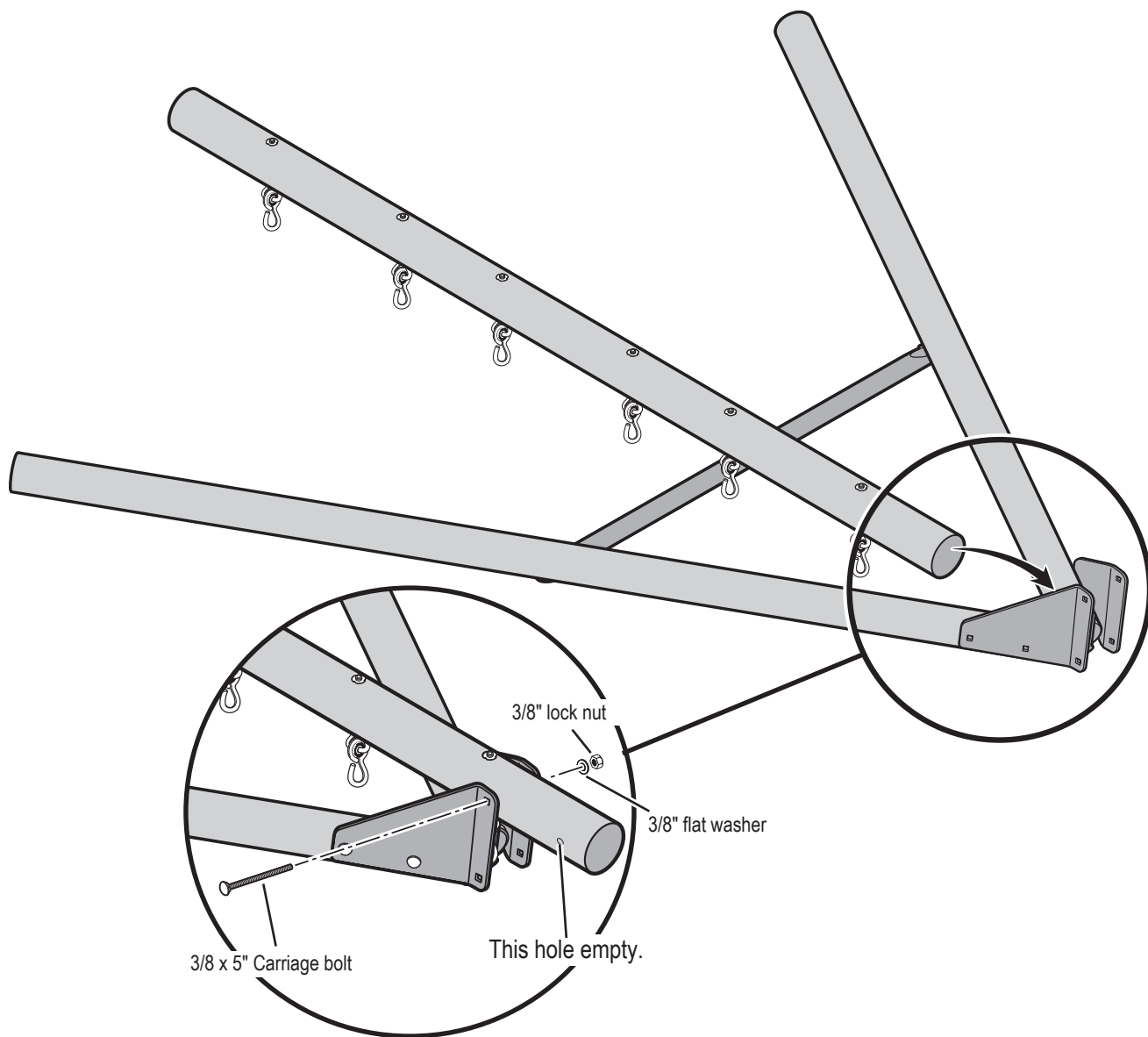
5. Securely attach the L-bracket to the posts as shown. **Fig. 4.**



1. Carefully flip the A-frame over.
2. Remove any wood or plastic material in hole openings. Attach two brackets to the post as shown.  
Tighten fasteners slightly snug at this point. Do **NOT** fully tighten.
3. Assemble a second A-frame assembly.



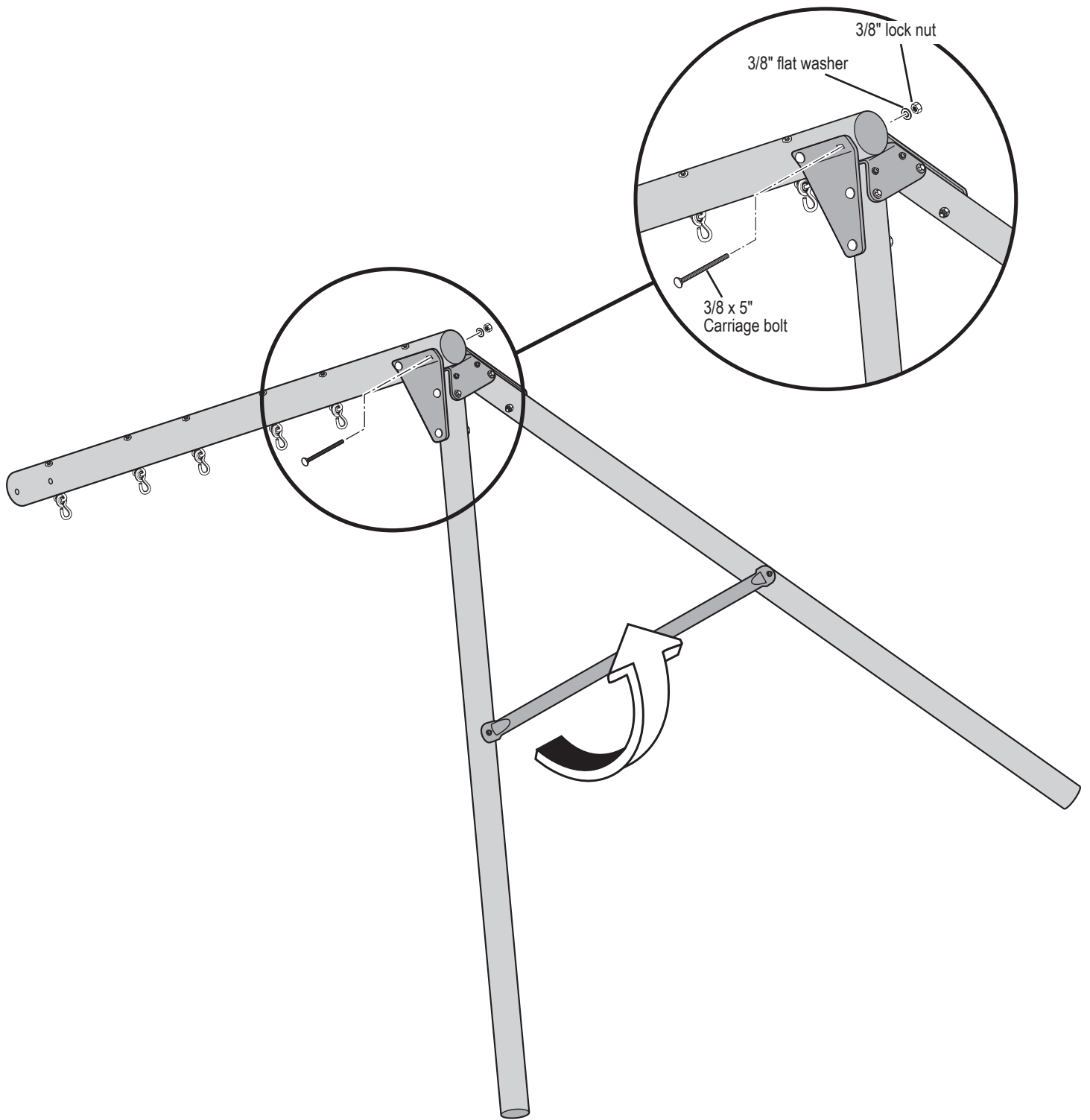
1. Remove any wood or plastic material in hole openings. Tap T-nuts into holes as shown.
2. Insert Hangers through Beam Clamp and into T-nuts.
3. Use screwdriver as lever to help seat hanger securely into slotted beam clamp. Secure slotted clamp with screws.



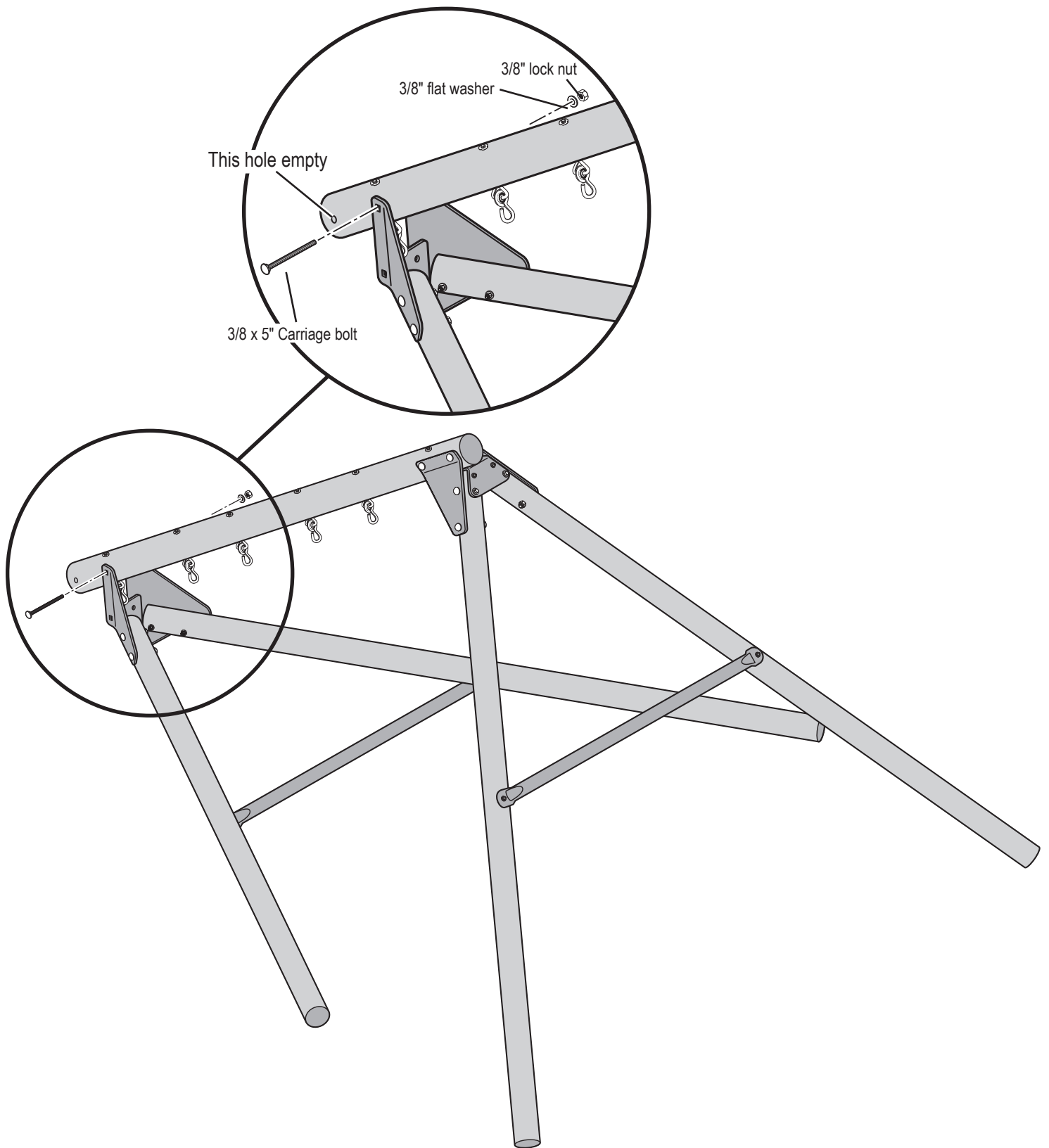
1. Remove any wood or plastic material in hole openings. Locate the swing beam between the brackets and attach as shown.

HINT: Loosen bolts in 3-1/4" posts to help align holes for 5" bolts if necessary.

Tighten fasteners slightly snug at this point. Do **NOT** fully tighten.



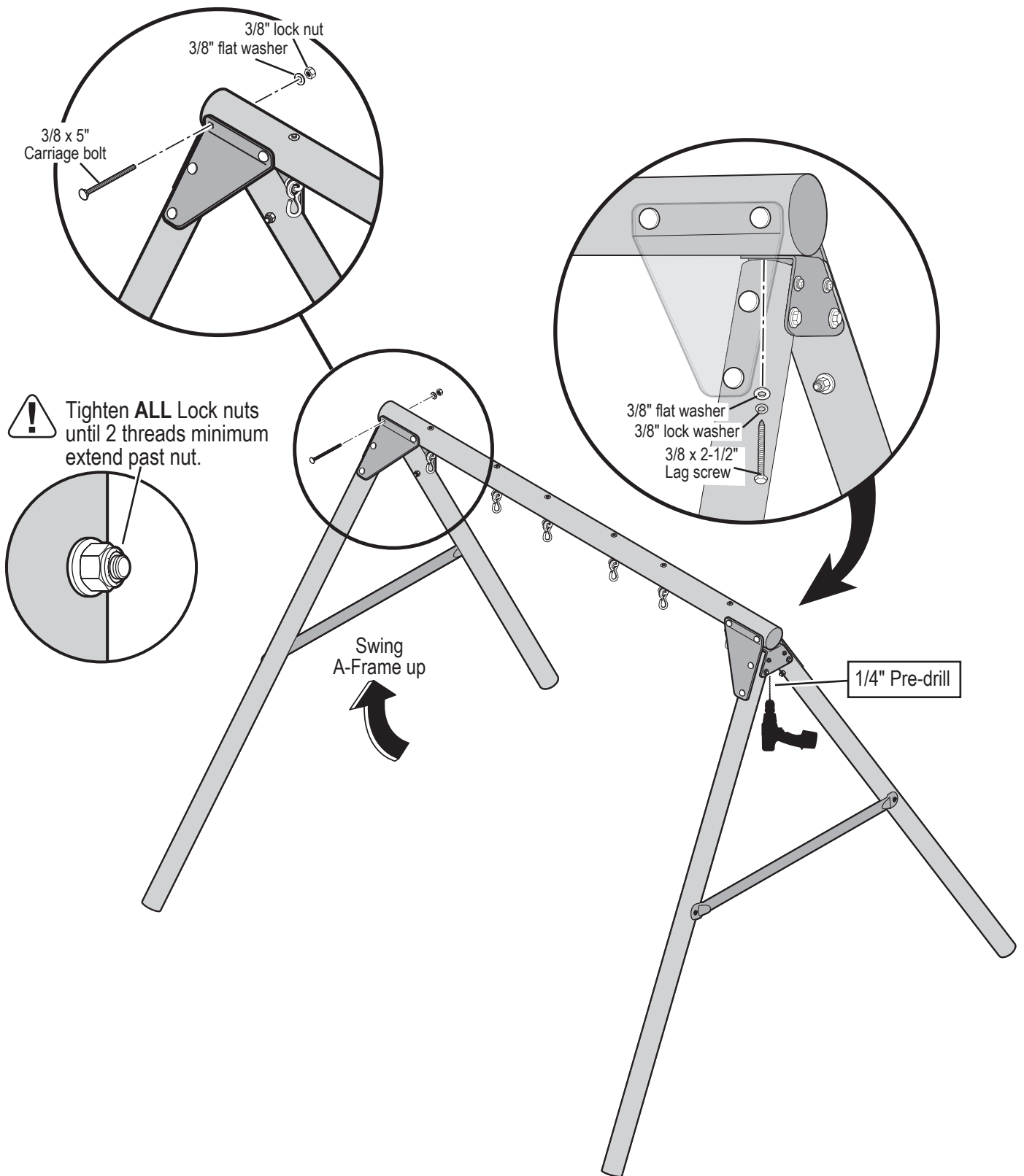
1. Carefully swing the A-frame assembly up and insert a second bolt. Attach as shown. Tighten fasteners slightly snug at this point. Do **NOT** fully tighten.



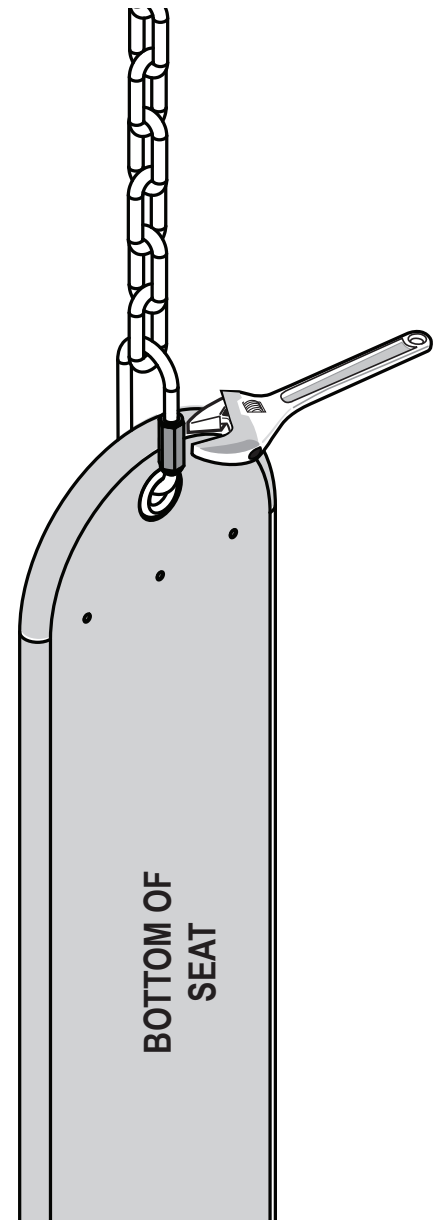
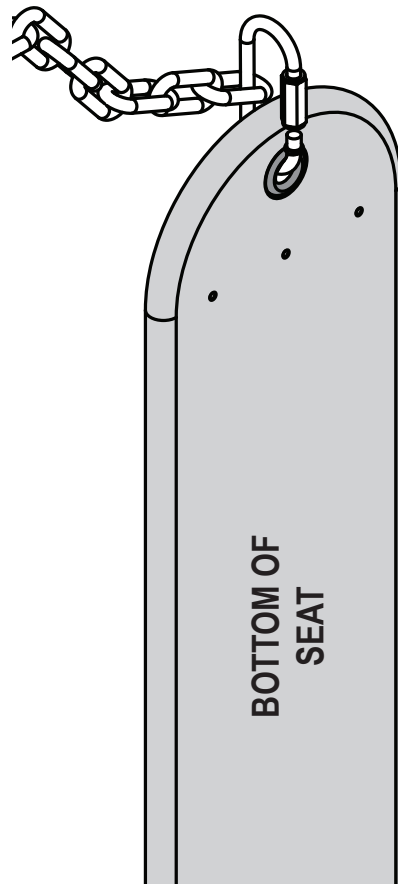
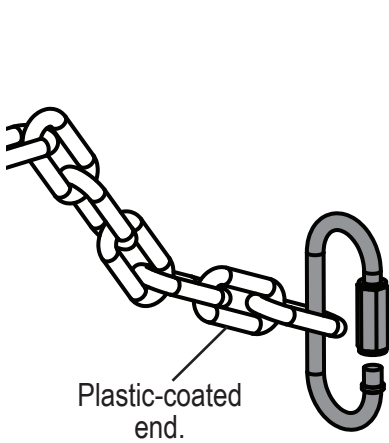
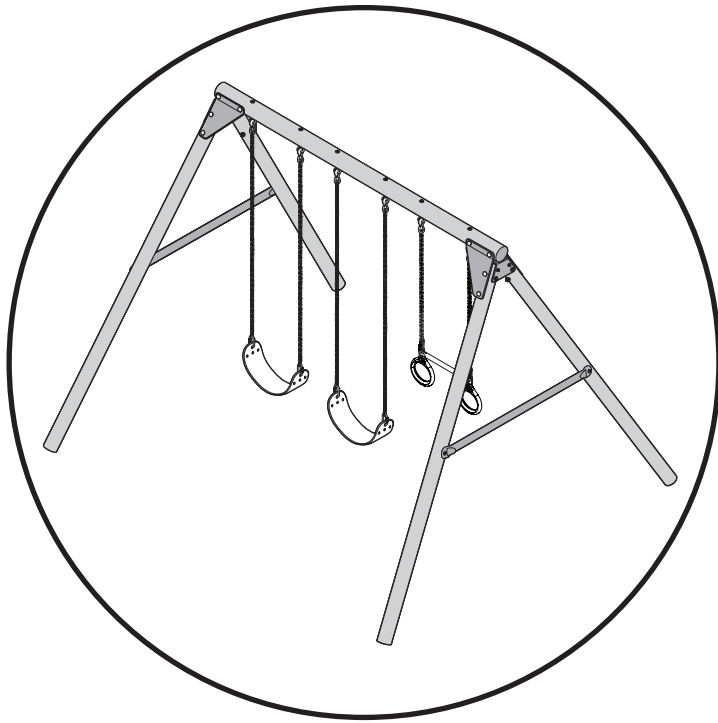
1. Locate the second A-frame assembly and remove any wood or plastic material in hole openings.  
Attach to swing beam as shown.

HINT: Loosen bolts in 3-1/4" posts to help align holes for 5" bolts if necessary.

Tighten fasteners slightly snug at this point. Do **NOT** fully tighten.



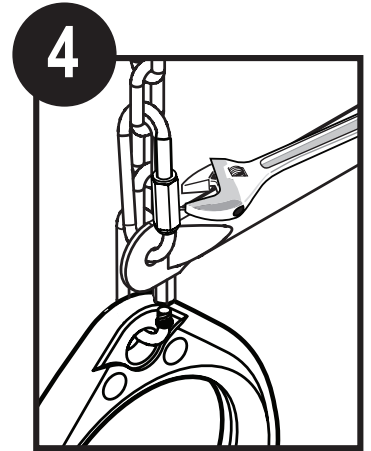
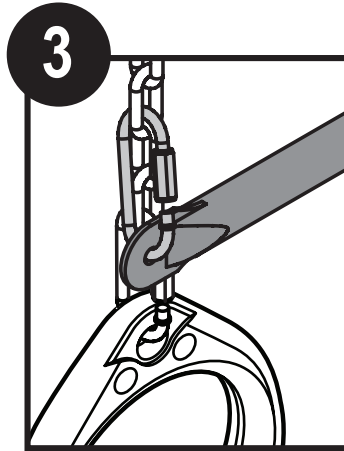
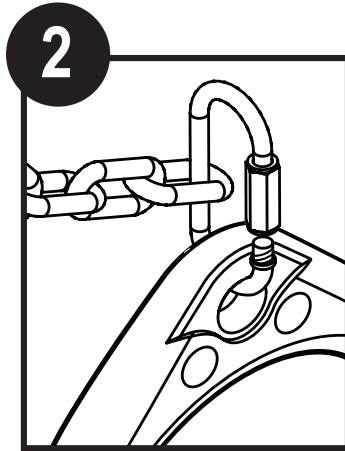
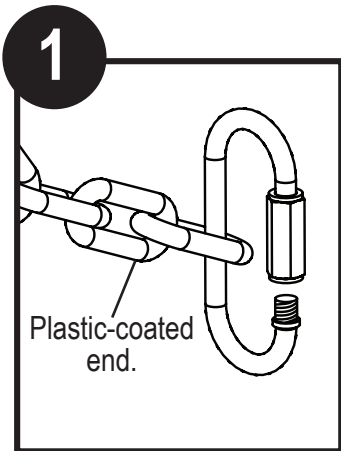
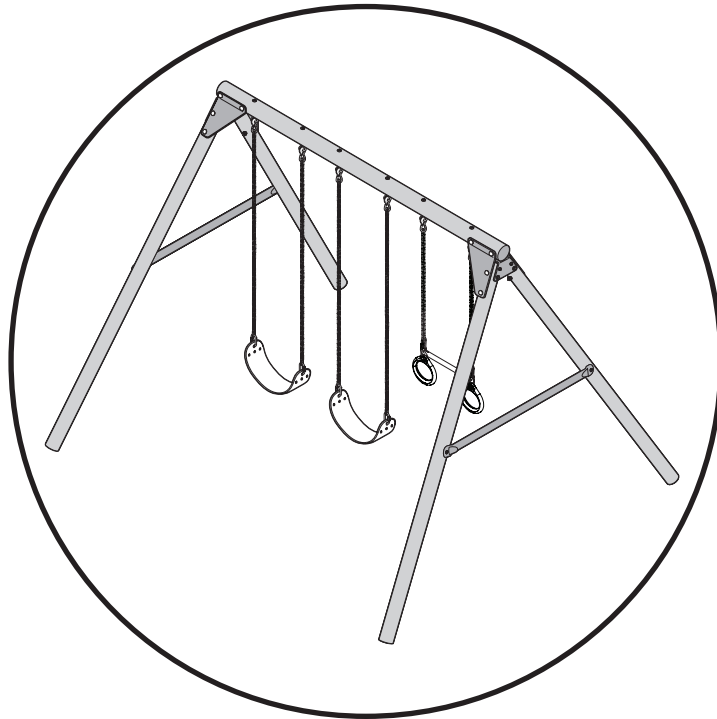
1. Carefully swing the A-frame up and insert a second bolt. Attach as shown. Tighten fasteners slightly snug at this point. Do NOT fully tighten.
2. Carefully move A-frame posts to make sure playset is square.
3. Now fully tighten all fasteners. ⚠️ **Ensure two threads minimum protrude past lock nut as shown.**
4. Pre-drill hole and attach the L-bracket under beam as shown. (At both ends.)



### Swing Seat Assembly

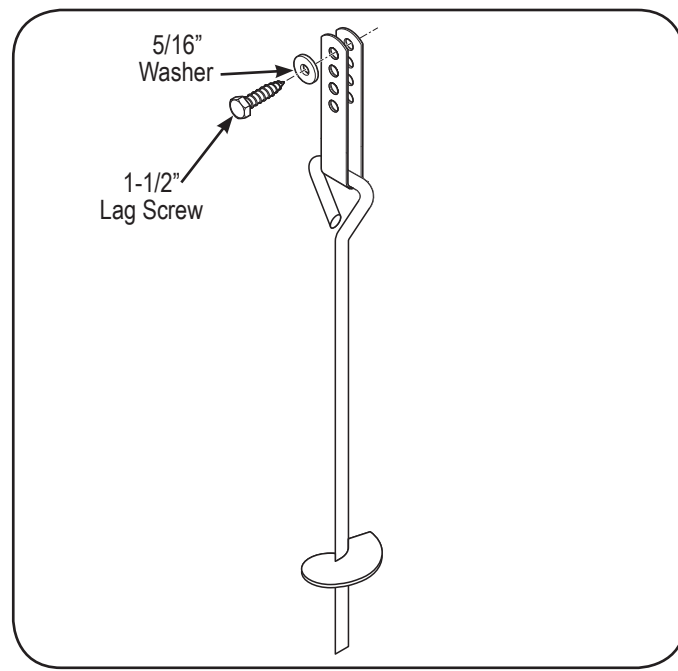
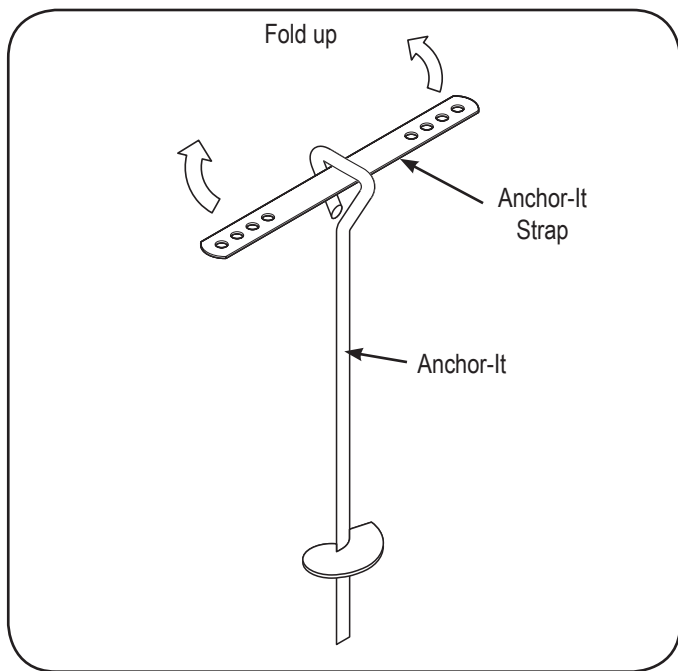
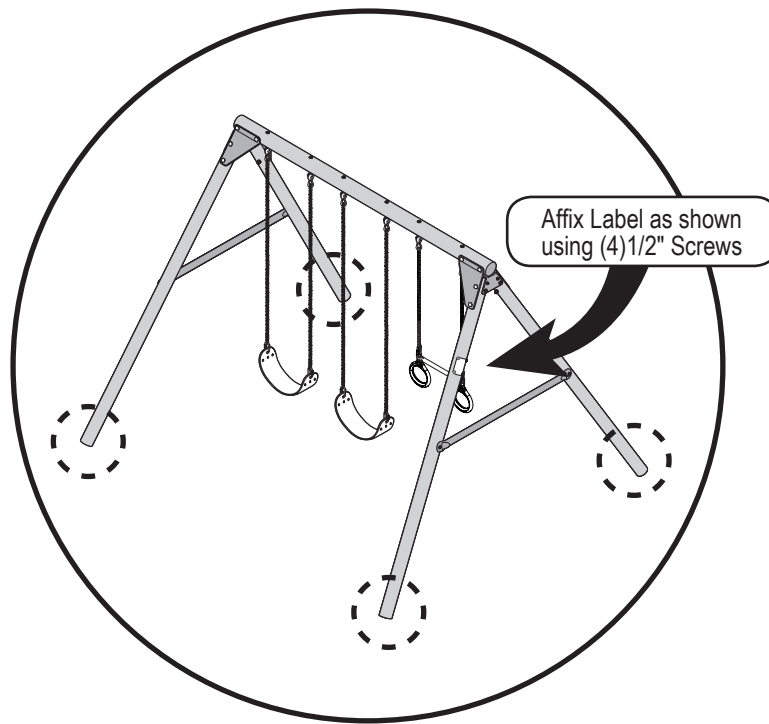
1. Take one length of chain and place the outermost link of chain through the Security Link as shown.
2. Place the Security Link through the Grommet of the swing seat as shown.
3. Tighten the threaded sleeve of the Security Link with a suitably sized wrench so that the seat is securely attached and the Security Link cannot be easily loosened. Repeat for second chain, Security Link and Swing Seat Grommet.





### Ring-Trap Combo Assembly

1. Attach Security Link to chain oriented as shown.
2. Attach Security Link to gym ring as shown. Attach second set of Security Links (3) links up. Attach Trapeze Bar as shown.
3. Tighten all Security Links closed with wrench.



1. At locations circled above, twist the Anchor-It into the ground until only the loop is exposed.
2. Place Anchor-It Strap thru loop, fold the ends together and attach to the unit as shown.

**Note: Keep as little play as possible using any of the holes in the strap that work best.**

**TIP:** When installing Anchor-Its in rocky or hard soil, create a starter hole at the desired locations using either a 16" Concrete Drill Bit, or a long screw driver then insert and install the Anchor-Its as shown. This will allow you to get traction with the Anchor-It faster and allow the device to seat more securely.

3. Attach Label to pole using (4) 1/2" panhead screws.

# Swing-N-Slide® MANUFACTURERS LIMITED WARRANTY

Swing-N-Slide® takes great pride in the quality and durability of our products. Our Manufacturer's Limited Warranty provides confidence and demonstrates our commitment to providing quality residential playground products.

---

## MANUFACTURER'S LIFETIME LIMITED WARRANTY

Swing-N-Slide® warrants its thermoformed slides and climbing mountains to be free from defects in workmanship and materials, under normal use and conditions, for the lifetime of the product.

## MANUFACTURER'S 5 YEAR LIMITED WARRANTY

Swing-N-Slide® warrants its Custom Ready-to-Build Play Set kits and accessories to be free from defects in workmanship and materials, under normal use and conditions, or a period of 5 years.

## MANUFACTURER'S 5 YEAR LIMITED WARRANTY

Swing-N-Slide® warrants its No-Cut and Wood Complete Ready-to-Assemble Play Set kits against wood rot and termite damage, and to be free from defects in workmanship and materials, under normal use and conditions, for a period of 5 years for structural wood components.

**Cosmetic defects** that do not affect the structural integrity of the product, or natural defects of wood such as warping, splitting, checking, twisting, shrinkage, swelling or any other physical properties of wood that do not present a safety hazard, are not covered by this warranty.

## MANUFACTURER'S ONE YEAR WARRANTY

Swing-N-Slide® warrants its canopy roofs and/or tarps, playhouses and Timber GLOVE lumber wrap to be free from defects in workmanship and materials, under normal use and conditions, for a period of one year.

Swing-N-Slide® will repair, or at its discretion, replace any part within the stated warranty period which is defective in workmanship or materials. This decision is subject to verification of the defect upon delivery of the defective part to Swing-N-Slide® at 1212 Barberry Drive, Janesville, Wisconsin, 53545. Any part(s) returned to Swing-N-Slide® must have prior approved Return Authorization Number and proof of purchase, including the date of purchase. This warranty is valid only if the product is used for the purpose for which it was designed and installed at a residential, single family dwelling. This warranty is void if the product is put to commercial or institutional use. This warranty does not cover (a) products which have been damaged by acts of Nature, negligence, misuse, or accident, or which have been modified or repaired by unauthorized persons; (b) the cost of labor; or the cost of shipping the product, any part, or any replacement product or part.

Swing-N-Slide® DISCLAIMS ALL OTHER REPRESENTATIONS AND WARRANTIES OF ANY KIND, EXPRESS, IMPLIED, STATUTORY OR OTHERWISE, INCLUDING THE IMPLIED WARRANTIES OF MERCHANTABILITY AND FITNESS FOR A PARTICULAR PURPOSE. Swing-N-Slide® WILL NOT BE LIABLE FOR ANY INCIDENTAL OR CONSEQUENTIAL DAMAGES. This warranty is non-transferable and does not extend to the owners of the product subsequent to the original purchaser. Some states do not allow limitations on implied warranties or exclusion of incidental or consequential damages, so these restrictions may not be applicable to you. This warranty gives you specific legal rights. You may also have other rights, which vary from state to state.

### This warranty also does not apply to:

- Structures not erected, maintained or inspected in conformance with **Swing-N-Slide®** installation plans
- Structures that have had parts added or substituted not in conformance with **Swing-N-Slide®** installation plans
- Parts that have been modified, altered or misused
- Parts that have not been used as designed or intended
- Damage due to acts of Nature, vandalism, abnormal use or abuse as determined by **Swing-N-Slide®**



WE PUT *Kids* FIRST!

Got Questions? We've got answers!  
Call our Customer Support Representatives

**1-800-888-1232**

Available Monday - Friday, 7am - 5pm (CST)

Weekend support available April through July

**Technical support from experienced customer service  
representatives who have actually built a swing set themselves.**