

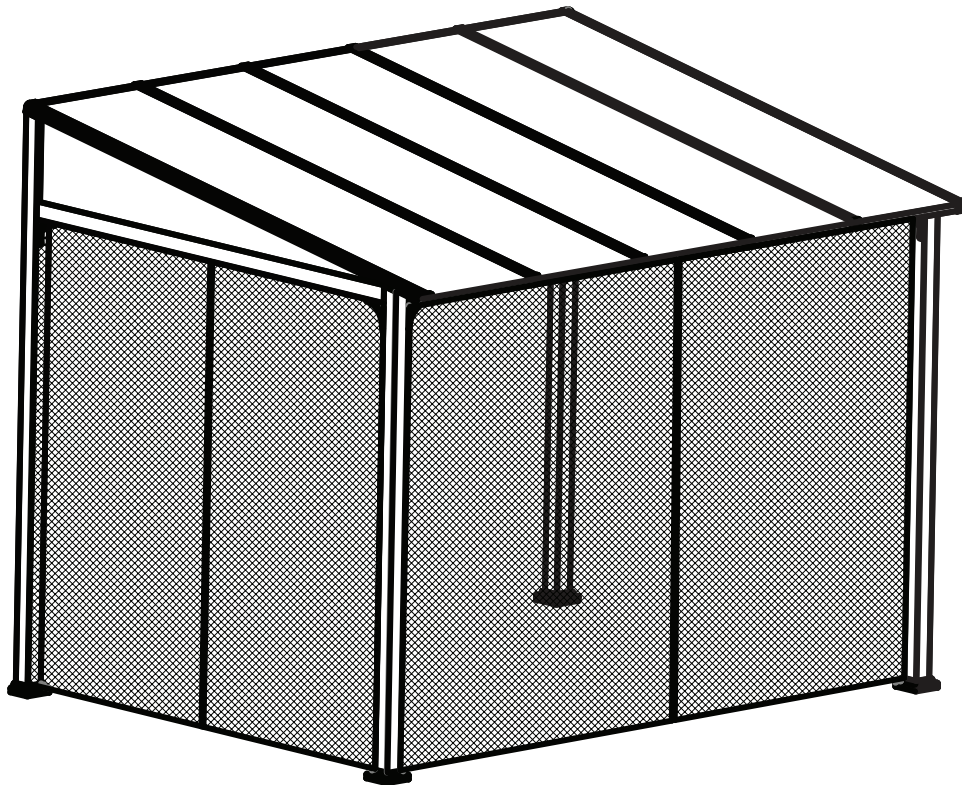


Model #GFM00747A

## USE AND CARE GUIDE

---

7.8 X 9.8 FT. 3 SIDED WALL MOUNTED GAZEBO



Questions, problems, missing parts? Before returning to the store  
call Royal Garden Customer Service.

6 a.m. - 9 p.m., EST, 9 a.m. - 5 p.m., PST, Monday - Friday

**(866) 988-3300**

**WWW.ROYALGARDEN.COM**

---

### THANK YOU

*We appreciate the trust and confidence you have placed in Royal Garden through the purchase of this gazebo. We strive to continually create quality products designed to enhance your home. Visit us online to see our full line of products available for your home improvement needs.*

*Thank you for choosing Royal Garden!*

# Table of Contents

Table of Contents.....	2	Pre-Assembly .....	3
Safety Information .....	2	Planning Assembly .....	3
Product Caution .....	2	Hardware Included .....	3
Safety Warnings .....	2	Packaging Contents.....	4
Warranty .....	2	Assembly .....	6
What is Covered .....	2	Care and Cleaning .....	20
What is Not Covered .....	2		

# Safety Information

## PRODUCT CAUTION

This gazebo was made for the explicit purpose of providing outdoor functions and is not to be used as a toy. This product is intended for normal outdoor use; however, the manufacturer recommends storing and / or covering this gazebo when any formidable / severe weather is approaching. Do not locate this product near open flames. Do not use this product as a support. Do not shake, lean or climb on the product. Children under the age of 10, near the product, should be supervised by a competent adult at all times. This product is NOT intended for commercial use and will void the warranty.

## SAFETY WARNINGS



**CAUTION:** The application of any foreign substance to the gazebo fabric may render the flame, resistant properties ineffective.



**CAUTION:** This gazebo must be pinned to the ground securely after assembly.



**CAUTION:** Keep roof and gutters clean of snow, dirt & leaves. Heavy amount of snow on roof can damage making it unsafe to stand under or nearby.



**CAUTION:** This gazebo is made with fabric that meets CPAI - 84 specifications for flame resistance. It is not fire proof. The fabric will burn if left in continuous contact with any flame source.



**CAUTION:** This gazebo is made for the explicit purpose of providing limited outdoor sunshade and is not to be used as a toy, shelter, or tent



**CAUTION:** Do not locate the gazebo near any open flame.



**CAUTION:** Do not use the gazebo as a support.



**CAUTION:** Do not shake, lean, or climb, on the gazebo.



**CAUTION:** Children under the age of 10 who are near the gazebo should be supervised by a competent adult at all times.

# Warranty

## 1 YEAR FRAME AND 1 YEAR FABRIC LIMITED WARRANTY

### WHAT IS COVERED

We warrant the frames to be free of manufacturing defects to the original purchaser for one year, and a one year limited warranty for the fabric.

### WHAT IS NOT COVERED

It remains the customer's responsibility for freight and packaging charges to and from our service center. This warranty does not cover commercial use, hardware, acts of nature, fire, freezing and abusive use. In addition, purchased parts are not covered under this warranty. We reserve the right to make substitutions with similar merchandise, if the model in question is no longer in production.

Contact the Customer Service Team at (866) 988-3300 or visit [WWW.ROYALGARDEN.COM](http://WWW.ROYALGARDEN.COM)

# Pre-Assembly

## PLANNING ASSEMBLY

Read all instructions before assembly.

To avoid damaging this product, assemble it on a soft, non-abrasive surface such as carpet or cardboard.



**NOTE:** More than one person may be required to assemble this product.

## HARDWARE INCLUDED



**NOTE:** Hardware not shown to actual size.



\_\_\_\_\_ AA



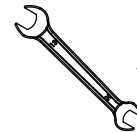
\_\_\_\_\_ BB



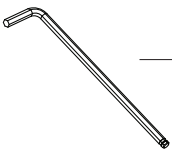
\_\_\_\_\_ CC



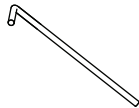
\_\_\_\_\_ DD



\_\_\_\_\_ EE



\_\_\_\_\_ FF



\_\_\_\_\_ GG

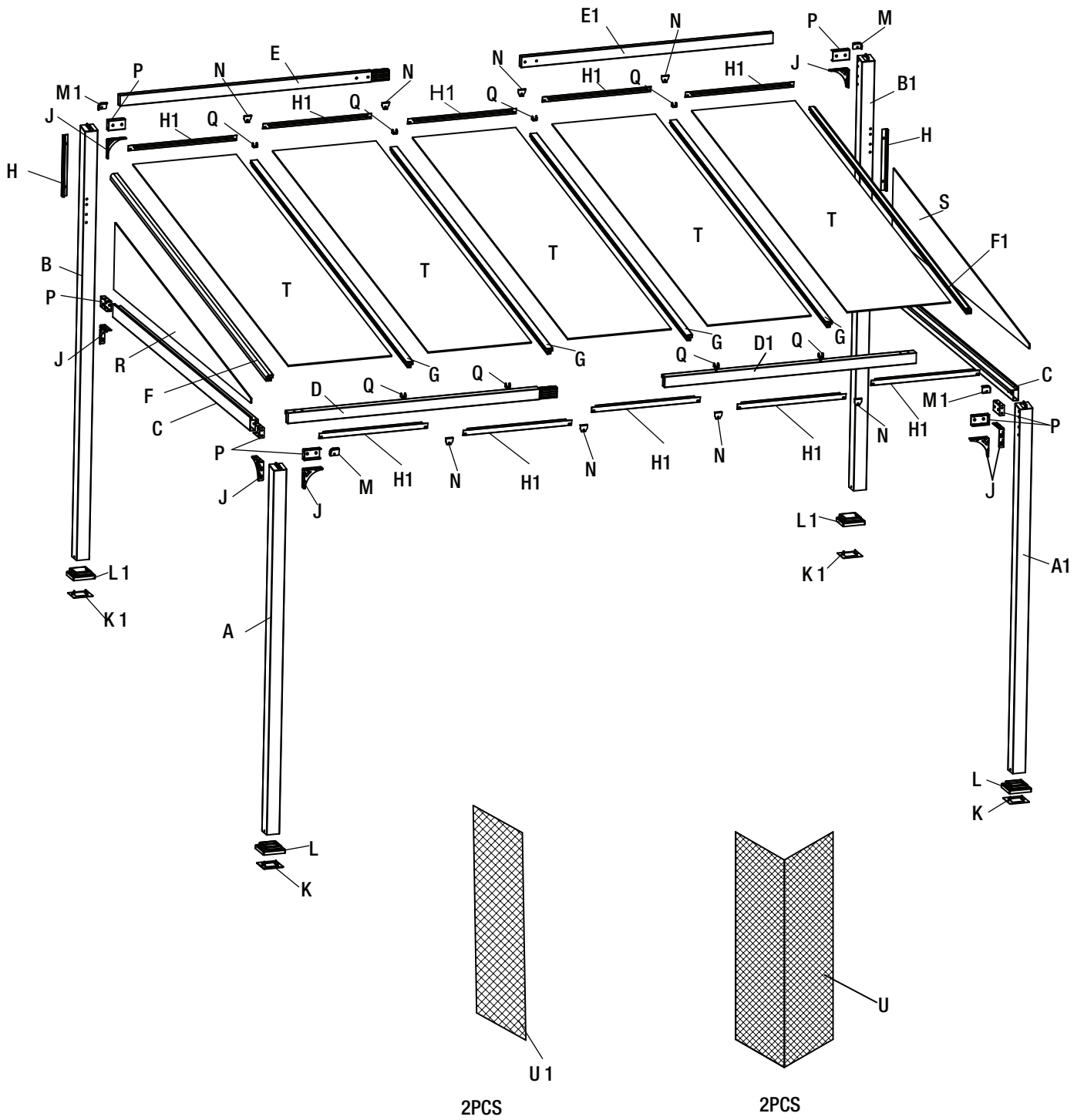


\_\_\_\_\_ HH

Part	Description	Quantity
AA	M6x20 combination bolt	102+1
BB	M6x35 combination bolt	8+1
CC	M6 nut	8+1
DD	Spring washer	16+1
EE	Wrench	1
FF	Hex wrench	2
GG	Gound spike	14+1
HH	M6x12 combination bolt	6+1

# Pre-Assembly (continued)

## PACKAGE CONTENTS



# Pre-Assembly (continued)

## PACKAGE CONTENTS

Part	Description	Quantity
A	Front left leg pillar	1
A1	Front right leg pillar	1
B	Rear left leg pillar	1
B1	Rear right leg pillar	1
C	Side beam	2
D	Front left beam	1
D1	Front right beam	1
E	Rear left beam	1
E1	Rear right beam	1
F	Left top bar	1
F1	Right top bar	1
G	Middle top bar	4
H	Side card slot pillar	2
H1	Side bar	10
J	Corner brace	8
K	Front pillar base plate	2
K1	Rear pillar base plate	2
L	Front pillar base cap	2
L1	Rear pillar base cap	2
M	Left cover cap	2
M1	Right cover cap	2
N	Middle cover cap	8
P	Beam liner	8
Q	U shape part	8
R	Left sun board	1
S	Right sun board	1
T	Top sun board	5
U	Big side wall	2
U1	Small side wall	2

# Assembly

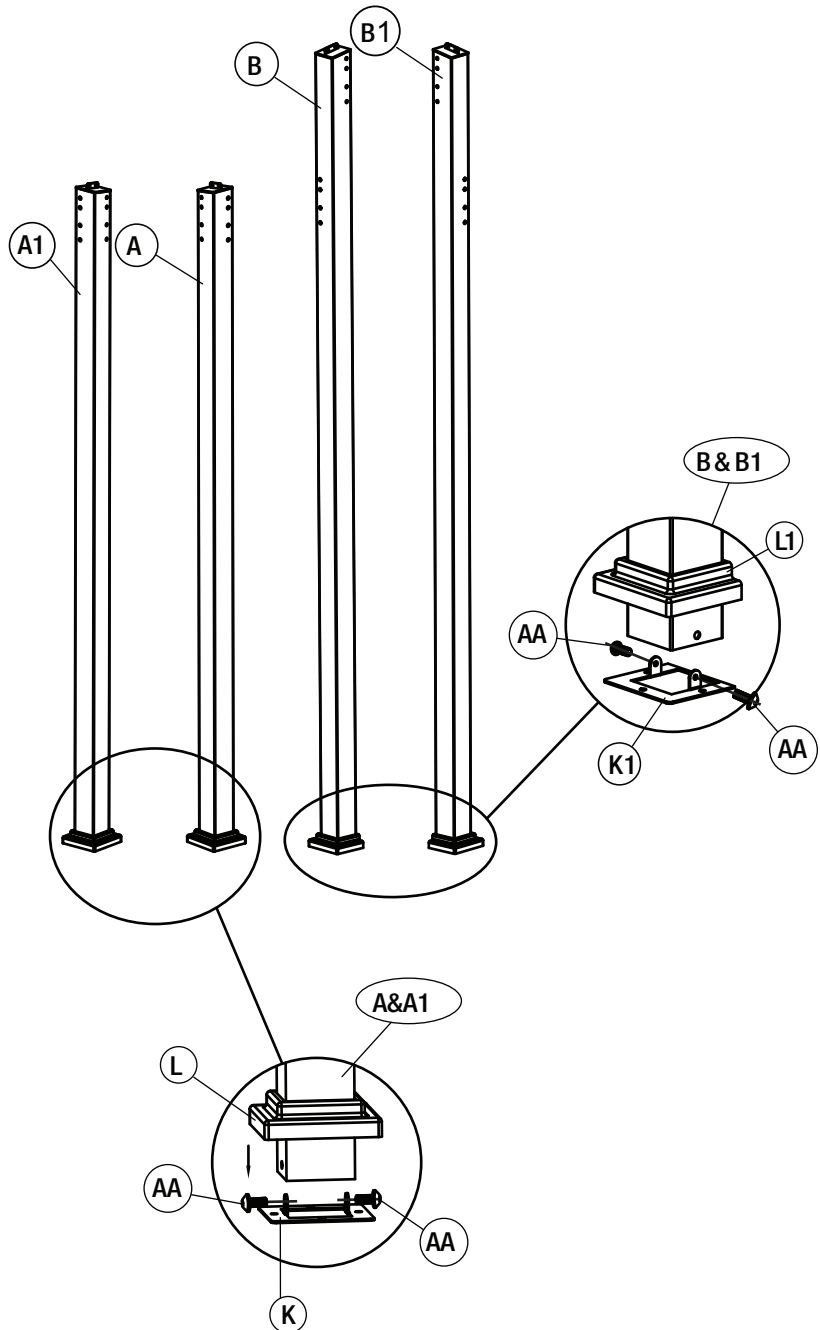
## 1 ASSEMBLING THE PILLARS

- Insert the front left & right pillar (A&A1) through the front pillar base cap (L), then attach the front left & right pillar (A&A1) to the front pillar base plate (K) using M6x20 combination bolts (AA).
- Insert the rear left & right pillar (B&B1) through the rear pillar base cap (L1), then attach the rear left & right pillar (B&B1) to the rear pillar base plate (K1) using M6x20 combination bolts (AA).



**NOTE:** Fully tighten all bolts using the hex wrench (FF).

B	1	
B1	1	
A	1	
A1	1	
K	2	
K1	2	
L	2	
L1	2	
AA	8	
FF	1	



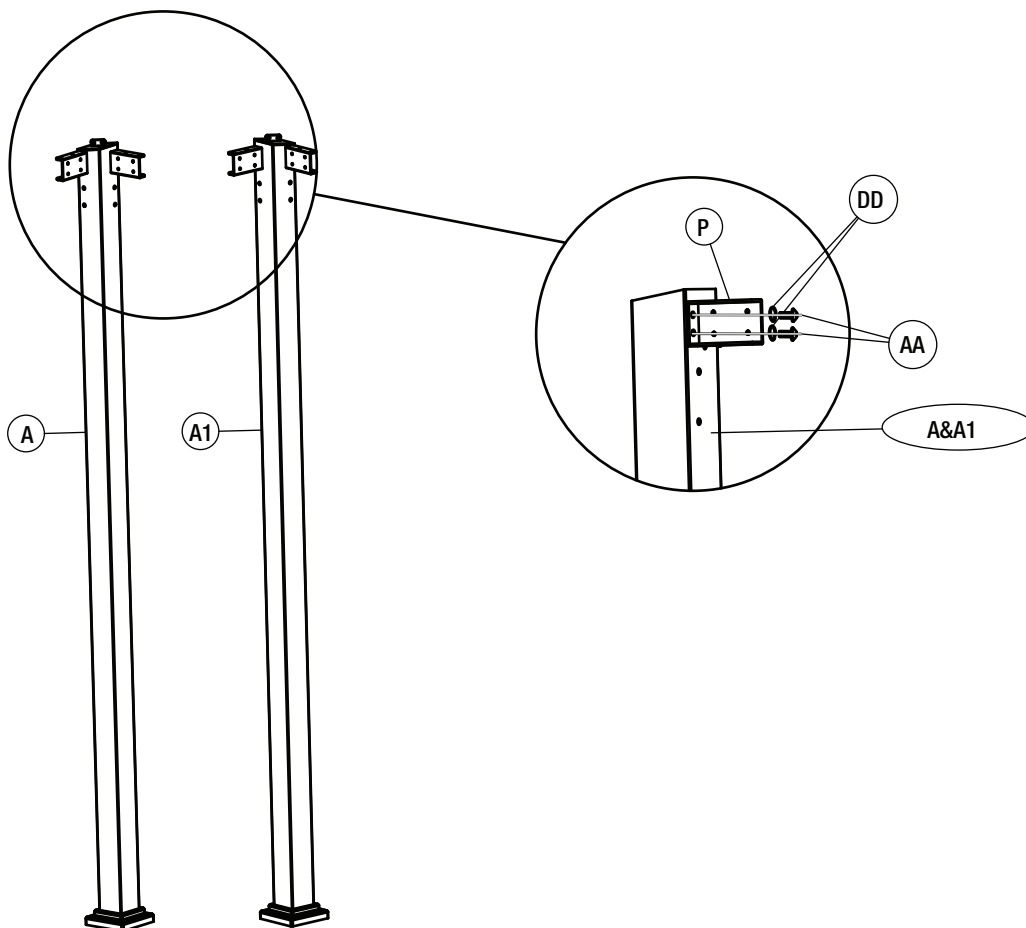
# Assembly (continued)

## 2 ATTACH THE BEAM LINERS TO THE FRONT LEG PILLARS

- Attach beam liner (P) to front left & right leg pillar (A&A1) using M6x20 combination bolts (AA) and spring washers (DD).



**NOTE:** Fully tighten all bolts using the hex wrench (FF).



P	4	
DD	8	
AA	8	M6x20
FF	1	

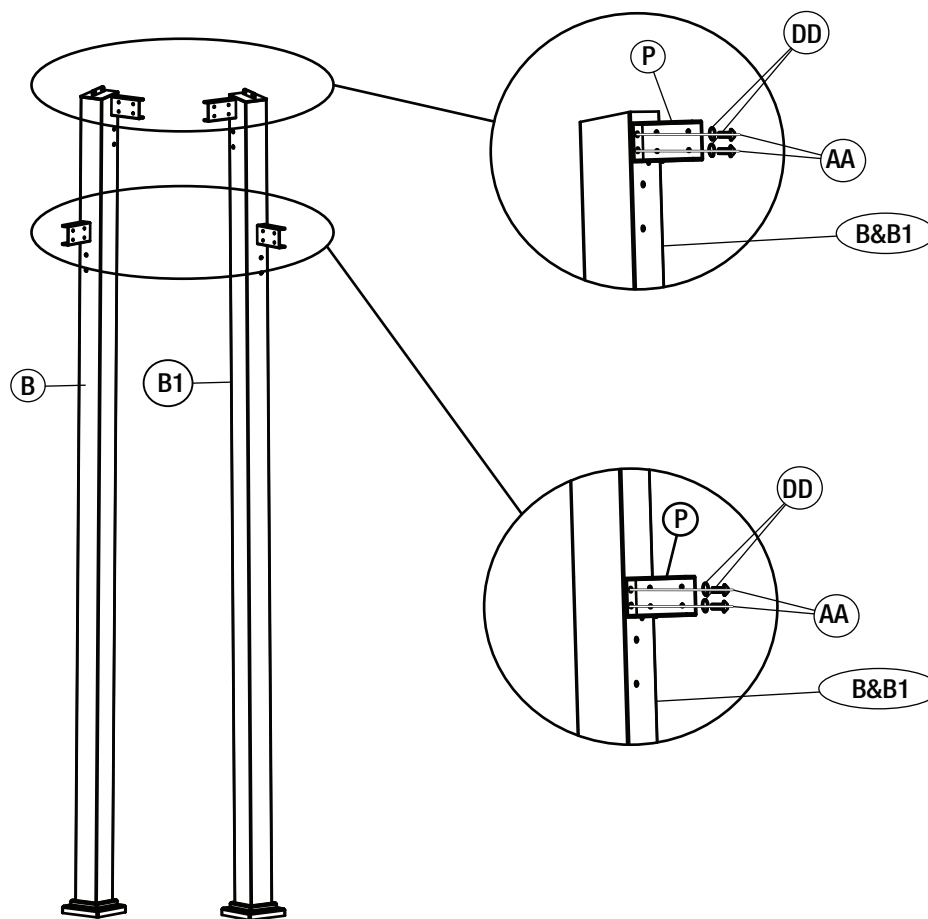
# Assembly (continued)

## 3 ATTACH THE BEAM LINERS TO THE REAR LEG PILLARS

- Attach beam liner (P) to rear left & right leg pillar (B&B1) using M6x20 combination bolts (AA) and spring washers (DD).



**NOTE:** Fully tighten all bolts using the hex wrench (FF).



P	4	
DD	8	
AA	8	M6x20
FF	1	



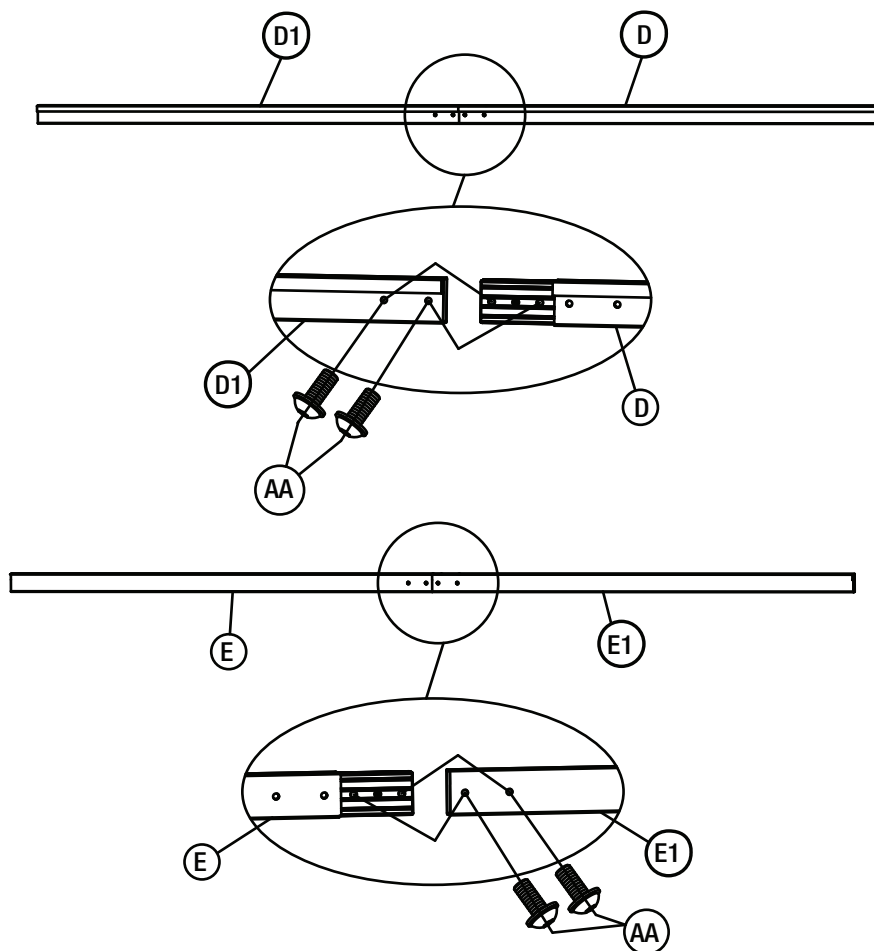
# Assembly (continued)

## 4 ATTACH THE LEFT BEAM TO THE RIGHT BEAM

- Attaching the front left beam (D) to the front right beam (D1) using M6x20 combination bolts (AA).
- Attaching the rear left beam (E) to the rear right beam (E1) using M6x20 combination bolts (AA).



**NOTE:** Fully tighten all bolts using the hex wrench (FF).



D	1		
D1	1		
E	1		
E1	1		
AA	4		M6x20
FF	1		

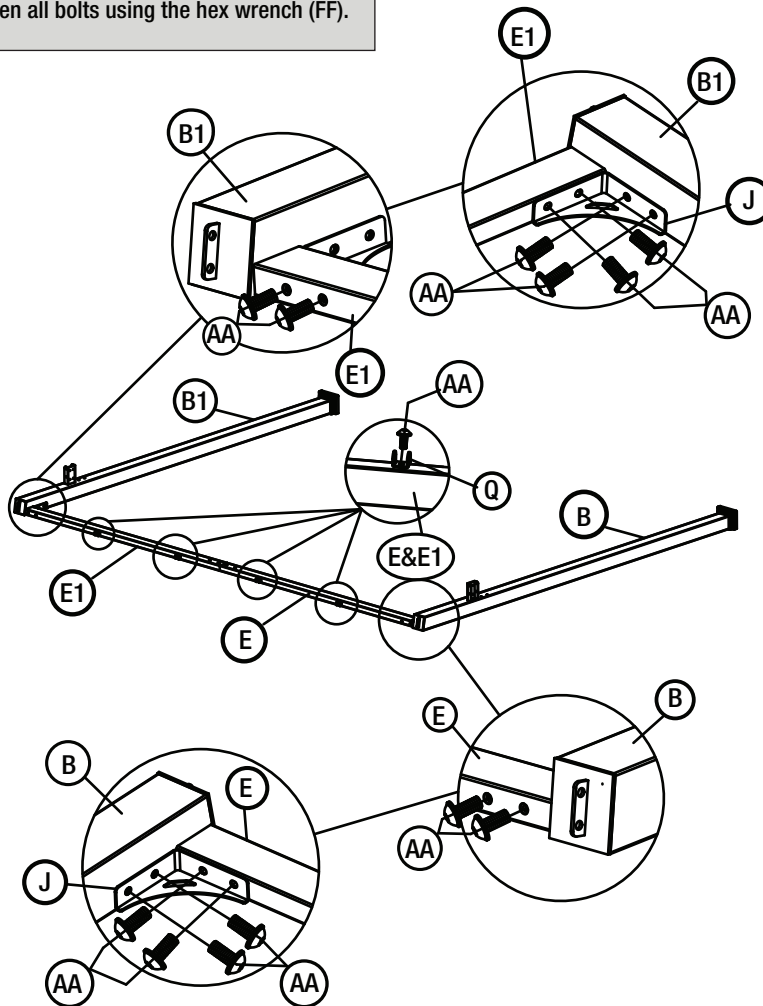
# Assembly (continued)

## 5 ATTACH THE REAR LEG PILLARS TO THE REAR BEAMS

- Attach the rear left leg pillar (B) to the rear left beam (E) using M6x20 combination bolts (AA) outside, and using M6x20 combination bolts (AA) through the corner brace (J) inside.
- Attach the rear right leg pillar (B1) to the rear right beam (E1) using M6x20 combination bolts (AA) outside, and using M6x20 combination bolts (AA) through the corner brace (J) inside.
- Put the U shape parts (Q) on the rear left & right beam (E & E1) using M6x20 combination bolts (AA).



**NOTE:** Fully tighten all bolts using the hex wrench (FF).



J	2	
Q	4	
AA	16	M6x20
FF	1	

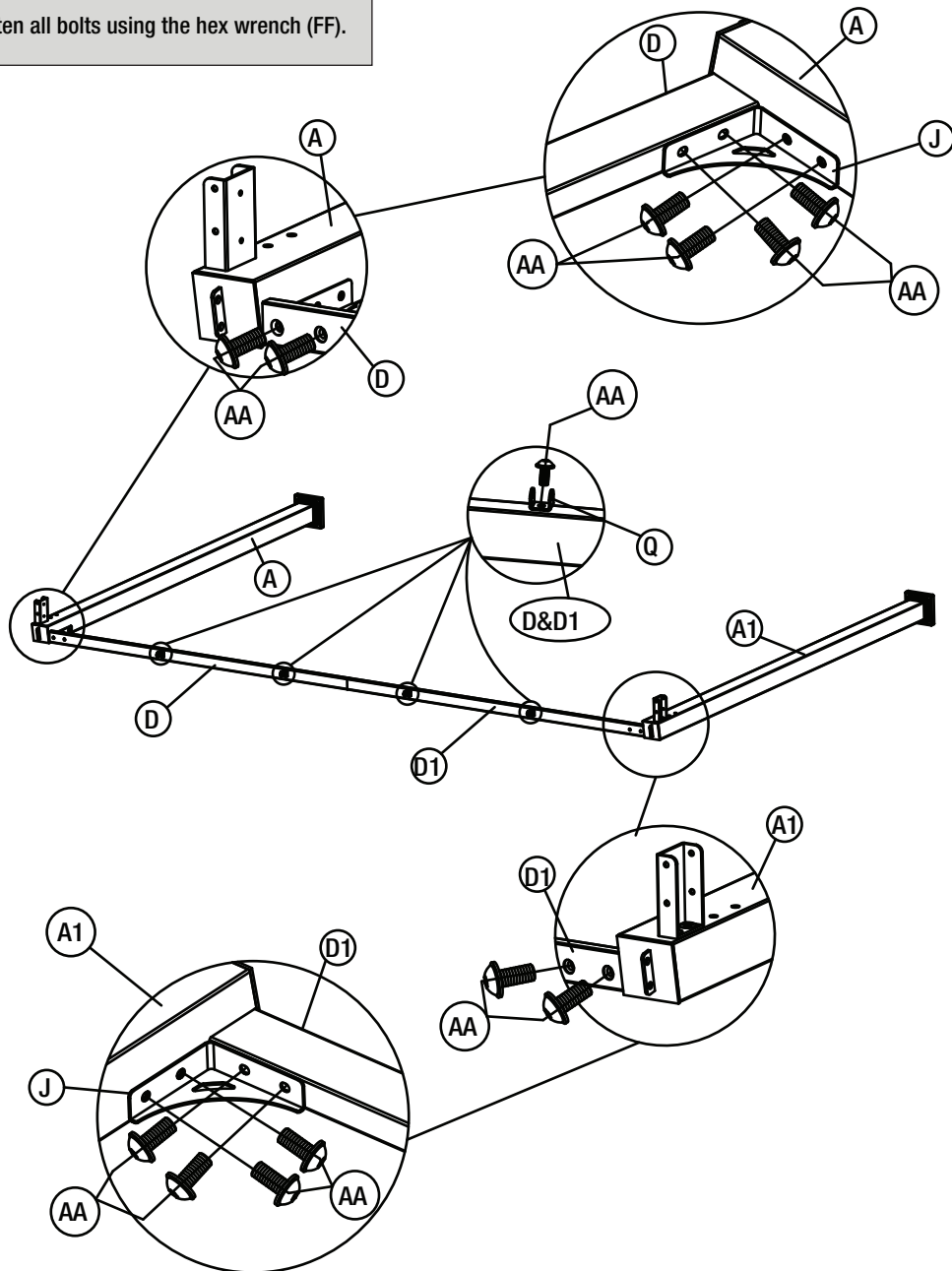
# Assembly (continued)

## 6 ATTACH THE FRONT PILLARS TO THE FRONT BEAMS

- Attach the front left leg pillar (A) to the front left beam (D) using M6x20 combination bolts (AA) outside, and using M6x20 combination bolts (AA) through the corner brace (J) inside.
- Attach the front right leg pillar (A1) to the front right beam (D1) using M6x20 combination bolts (AA) outside, and using M6x20 combination bolts (AA) through the corner brace (J) inside.
- Put the U shape parts (Q) on the front left & right beam (D & D1) using M6x20 combination bolts (AA).



**NOTE:** Fully tighten all bolts using the hex wrench (FF).



J	2	
Q	4	
AA	16	M6x20
FF	1	

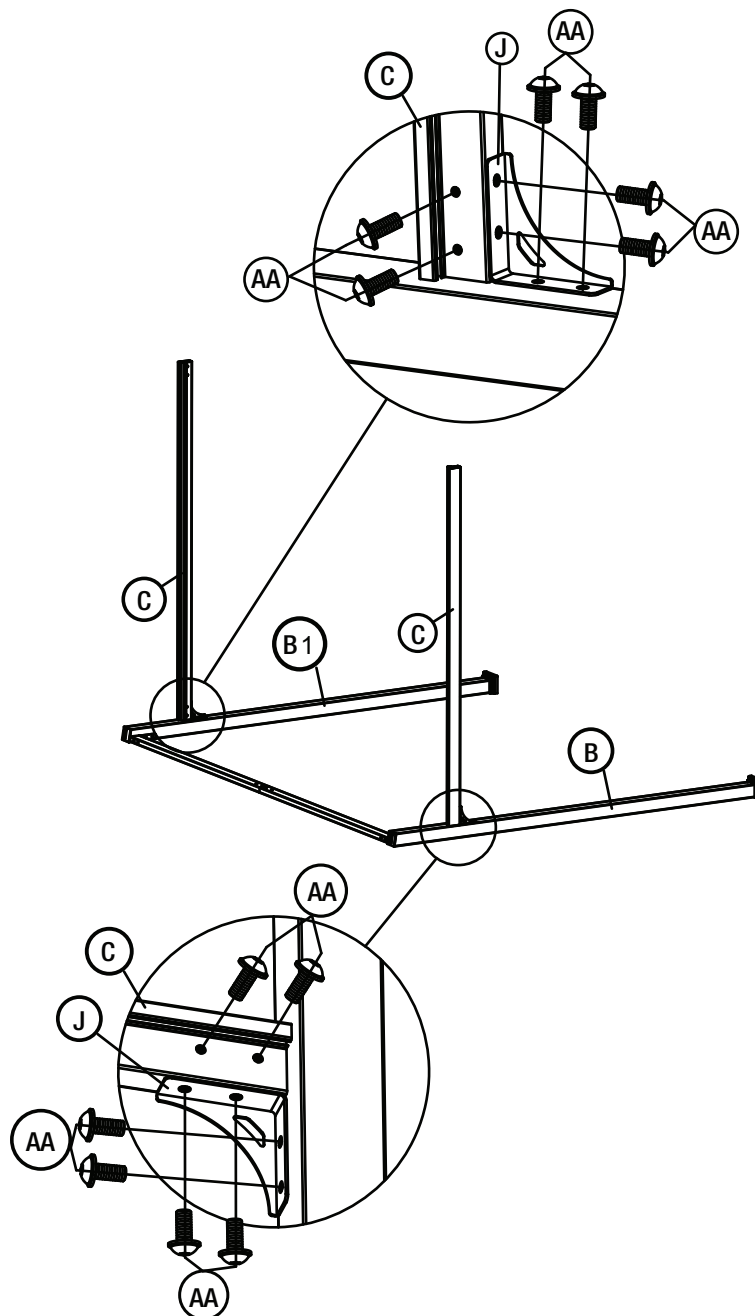
# Assembly (continued)

## 7 ATTACH THE SIDE BEAMS TO THE REAR LEG PILLARS

- Attach the side beams (C) to the rear left & right leg pillars (B&B1) using M6x20 combination bolts (AA) through the corner brace (J).



**NOTE:** Fully tighten all bolts using the hex wrench (FF).



C	2		
J	2		
AA	12		M6x20
FF	1		

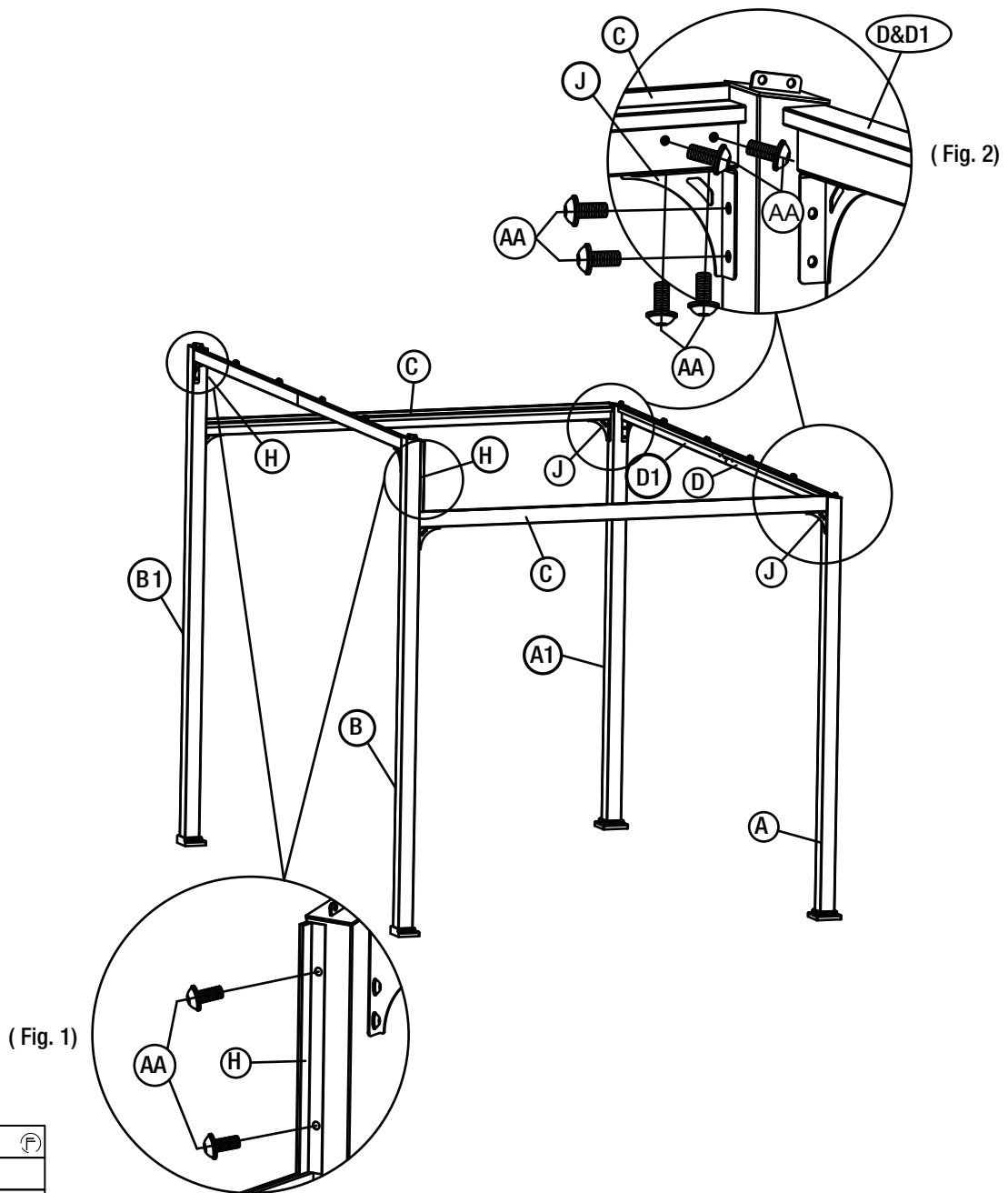
# Assembly (continued)

## 8 ATTACH THE SIDE CARD SLOT PILLAR TO THE REAR LEG PILLAR

- Attach the side card slot pillar (H) to the rear left & right leg pillars (B&B1) only using M6x20 combination bolts (AA) (See Fig1). and use M6x20 combination (AA) through corner brace (J) (See Fig. 2).



**NOTE:** Fully tighten all bolts using the hex wrench (FF).

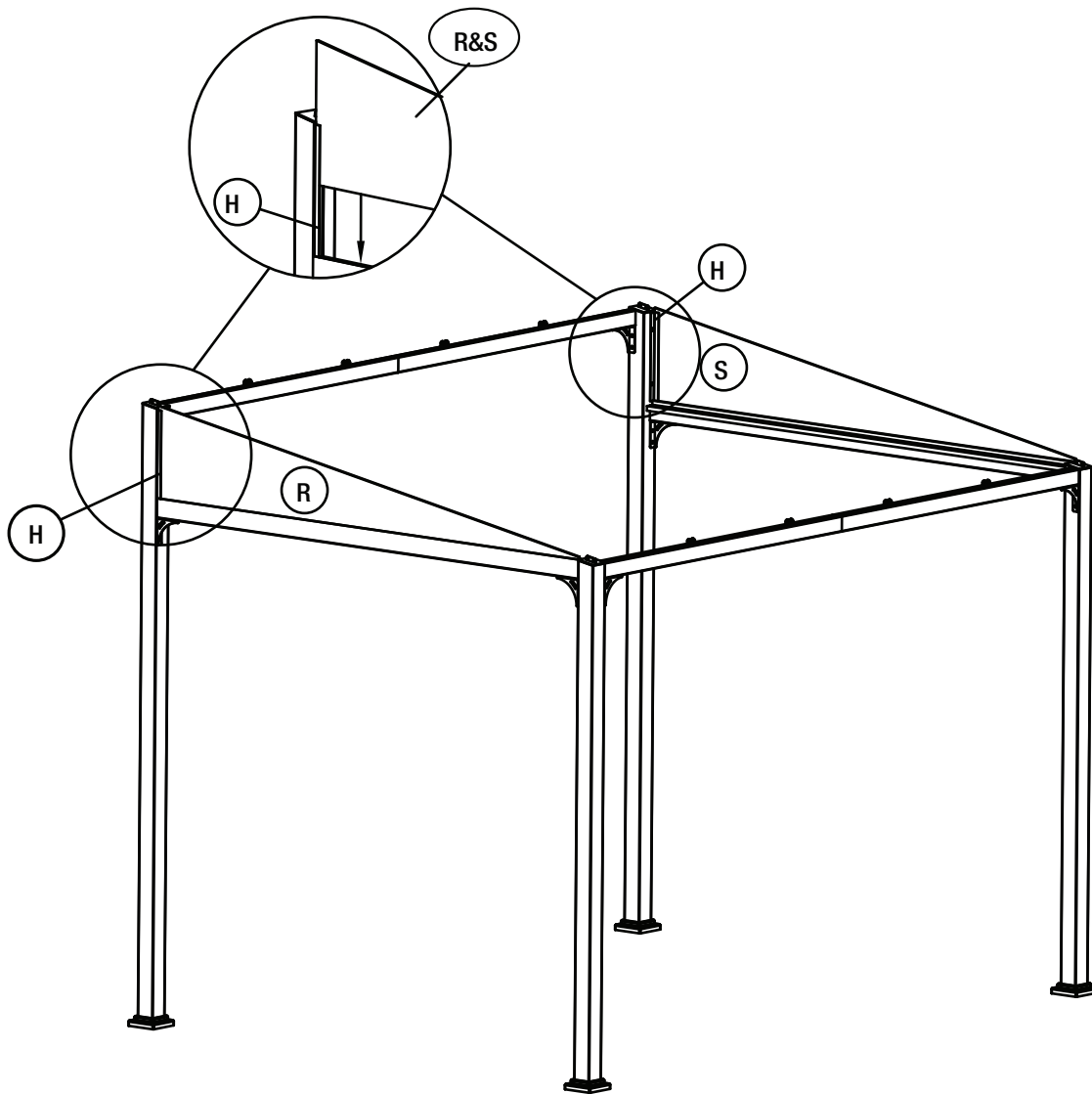




H	2		
J	2		
AA	16		M6x20
FF	1		

## Assembly (continued)

### 9 INSERT LEFT AND RIGHT SUN BOARD INTO SIDE CARD SLOT PILLAR

- Insert left and right sun board (R&S) into side card slot pillar (H).



R	1	
S	1	

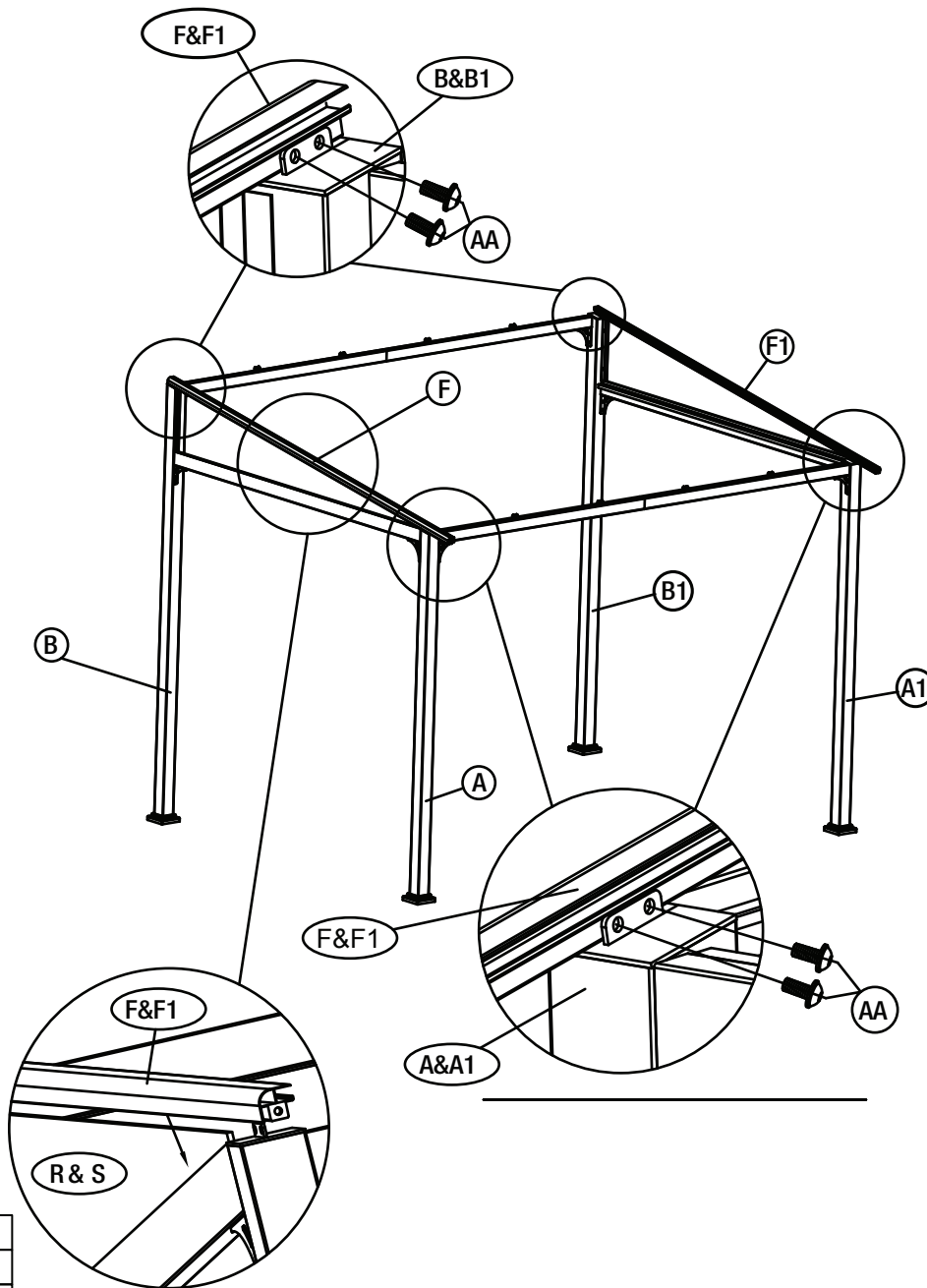
# Assembly (continued)

## 10 ATTACH THE TOP BARS TO THE LEG PILLARS

- Attach the left top bar (F) to the rear left leg pillar (B) and front left leg pillar (A) using M6x20 combination bolts (AA).
- Attach the right top bar (F1) to the rear right leg pillar (B1) and front right leg pillar (A1) using M6x20 combination bolts (AA).



**NOTE:** Do not fully tighten all bolts using the hex wrench (FF).



F	1		
F1	1		
AA	8		M6x20
FF	1		

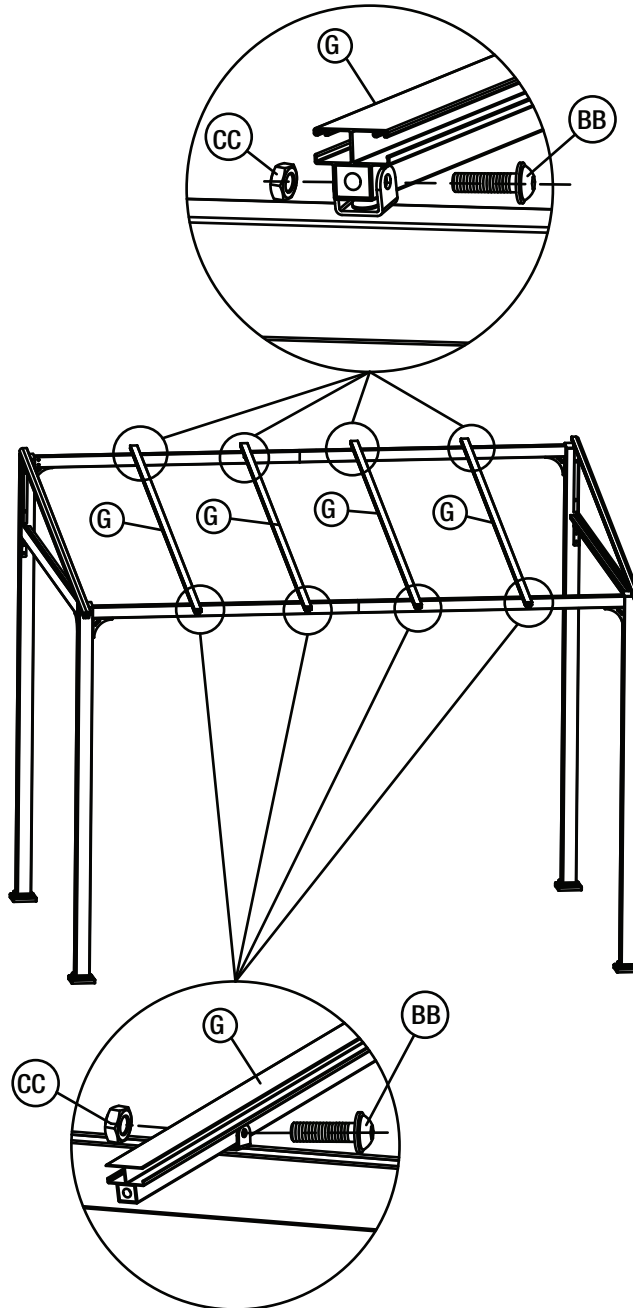
# Assembly (continued)

## 11 ATTACH THE MIDDLE TOP BARS TO THE BEAMS

- Insert M6x35 combination bolts (BB) through the middle top bar (G) and spring washers (CC).



**NOTE:** Do not fully tighten all bolts using the wrench (EE) and hex wrench (FF).



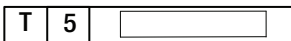
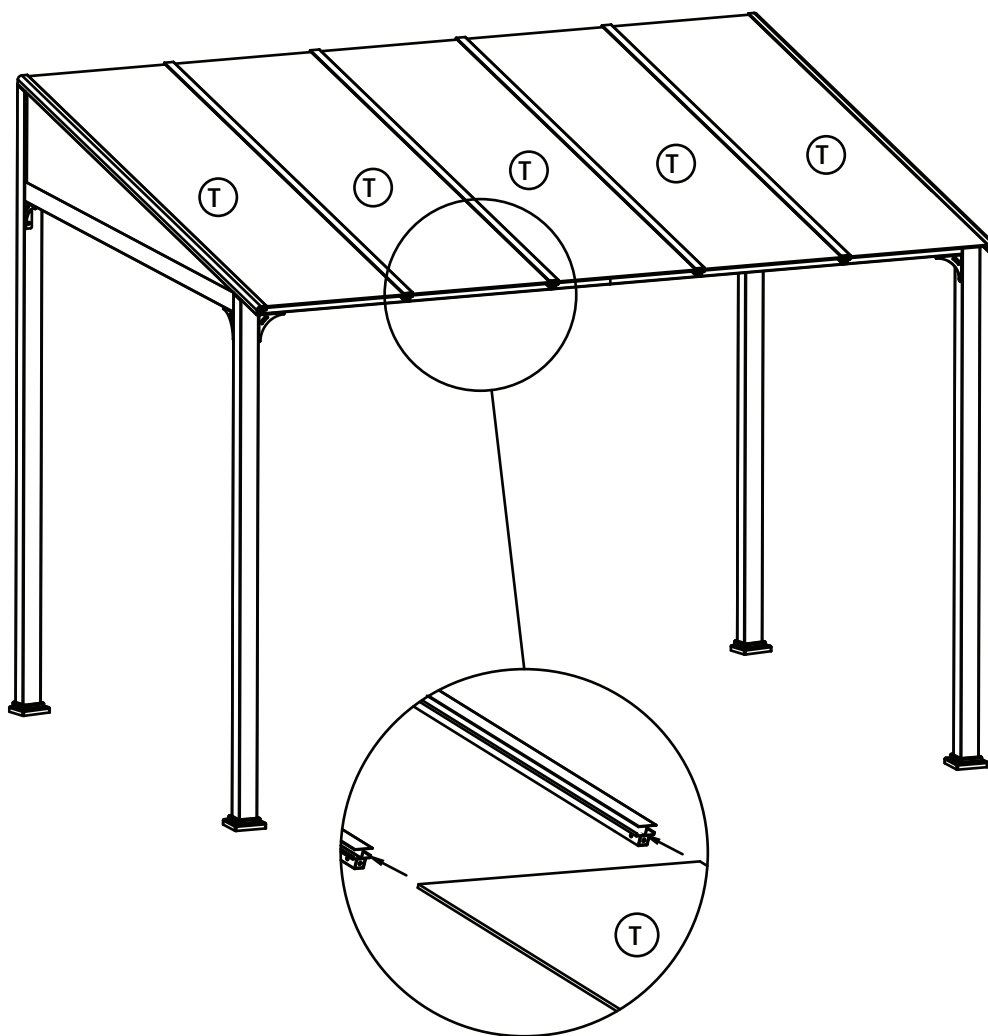
G	4	
BB	8	M6x35
CC	8	
EE	1	
FF	1	



## Assembly (continued)

# 12 INSERT TOP SUN BOARDS INTO THE MIDDLE TOP BARS

- Insert top sun boards (T) into the middle top bars(G)



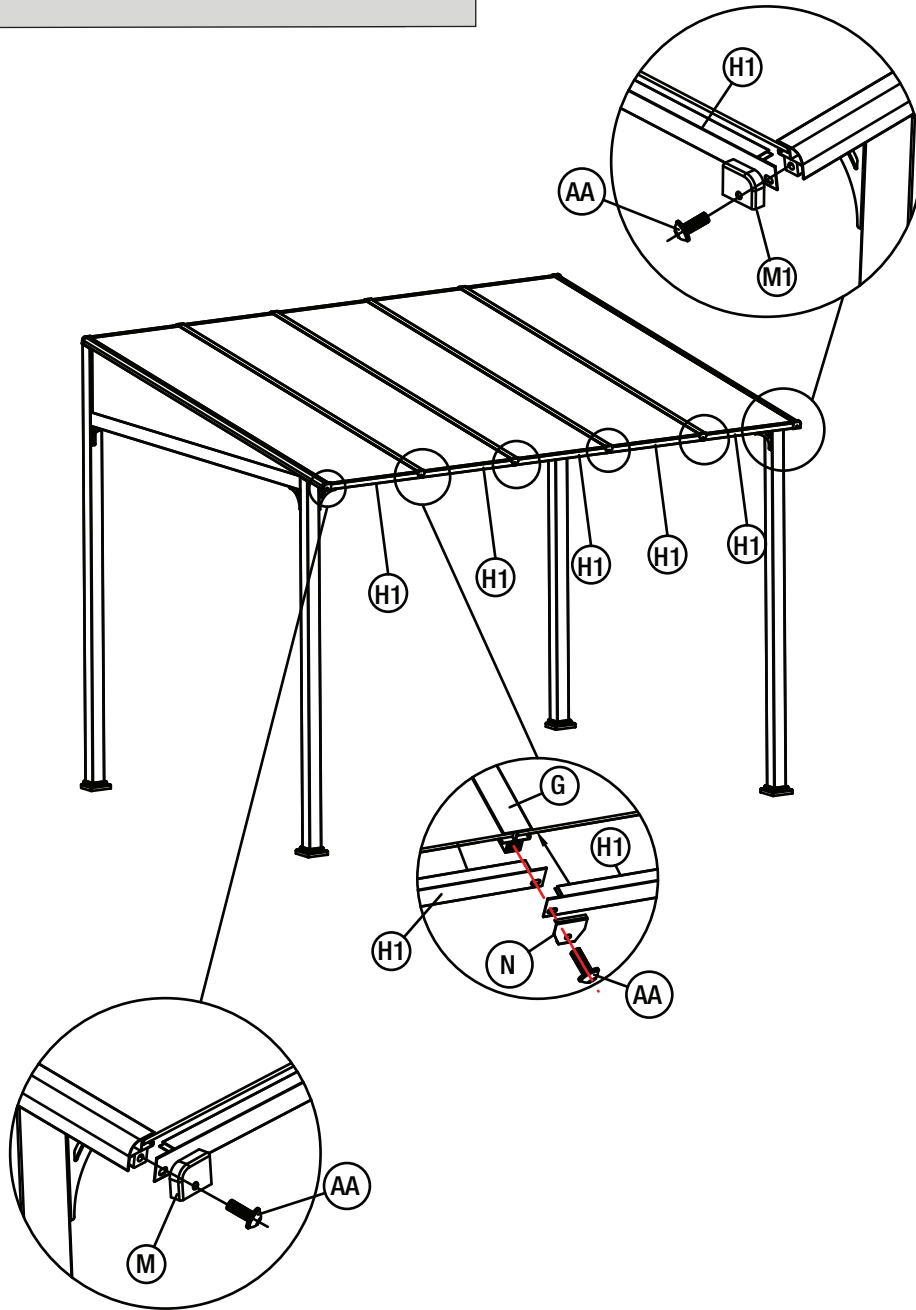
## Assembly (continued)

# 13 PLACE THE CORNER CAPS ON THE FRONT BEAMS

- Insert the M6x20 combination bolt (AA) through the left corner cap (M), side bar (H1), front left beam (D) and left top bar (F).
- Attach the M6x20 combination bolt (AA) to the right corner cap (M1), side bar (H1), front right beam (D1) and right top bar (F1).
- Attach the M6x20 combination bolts (AA) to the middle corner caps (N), side bar (H1), front left & right beam (D&D1) and middle top bar (G).



**NOTE:** Do not fully tighten all bolts using the hex wrench (FF).



H1	5		(F)
M	1		
M1	1		
N	4		
AA	6		M6x20
FF	1		

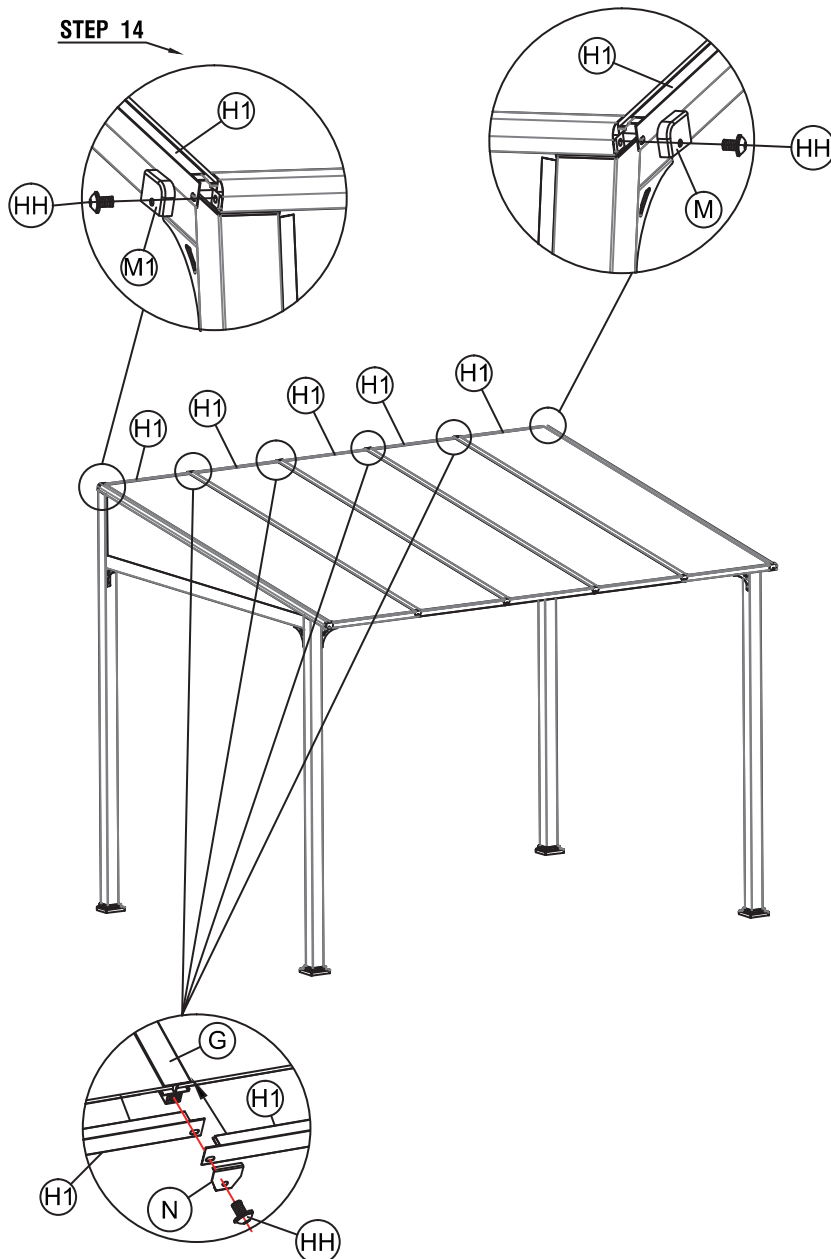
# Assembly (continued)

## 14 PLACE CORNER CAPS ON THE REAR BEAMS

- Insert the M6x12 combination bolt (HH) through the left corner cap (M), side bar (H1) rear right beam (E1) and right top bar (F1).
- Insert the M6x12 combination bolt (HH) through the right corner cap (M1), side bar (H1) rear left beam (E) and left top bar (F).
- Attach the M6x12 combination bolts (HH) to the middle corner caps (N), side bar (H1), rear left & right beam (E&E1) and middle top bar (G).



**NOTE:** Fully tighten all bolts using the hex wrench (FF).

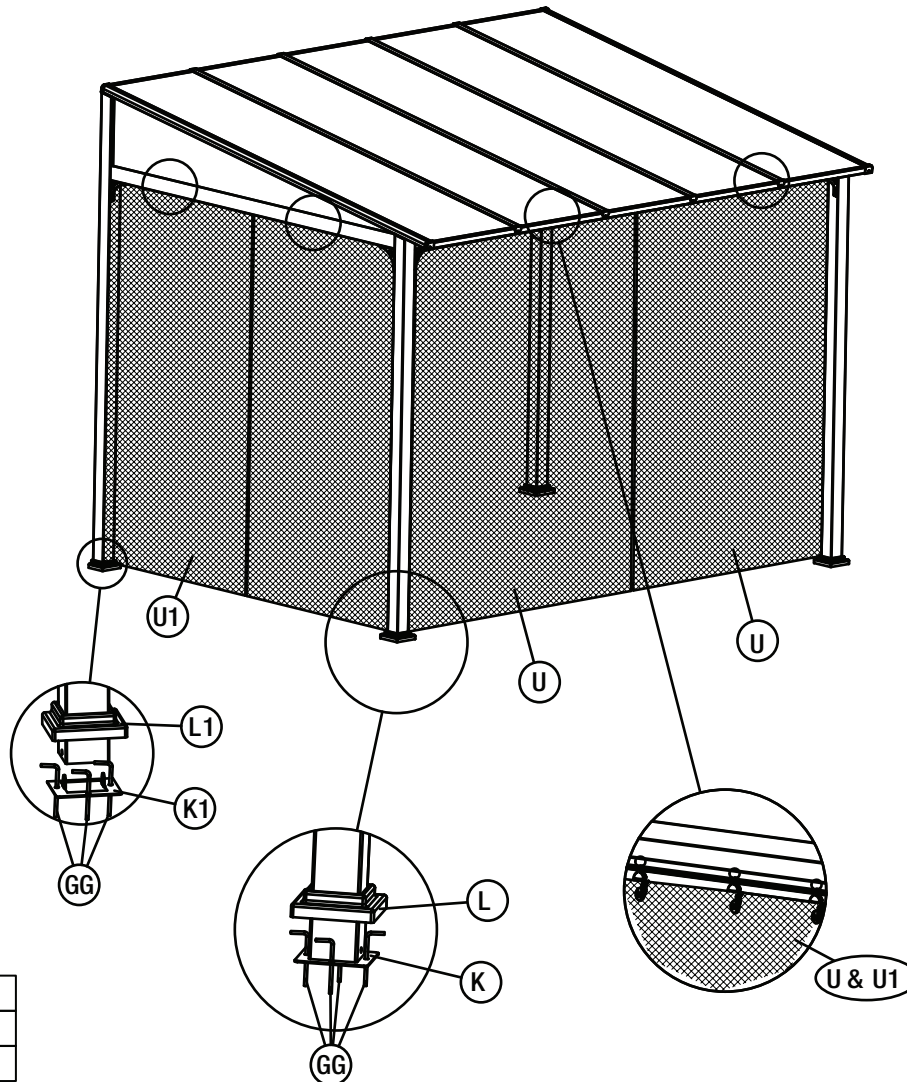


H1	5		(F)
M	1		
M1	1		
N	4		
HH	6		M6x12
FF	1		

## Assembly (continued)

# 15 INSTALL THE GROUND SPIKES AND SIDEWALLS

- Hammer in the ground spikes (GG) through the holes of base plate (K&K1) on pillars (A,A1, B and B1) until the ground spike (GG) secures the base plate (K&K1) to the ground.
- Put up the two side walls (U&U1) on the side bars and beams (H1,D,D1,E and E1).



U1	2	
U	2	
GG	14	

## Care and Cleaning

- For best results, clean the gazebo with a damp cloth and dry thoroughly. This will help prevent mildew by removing dirt particles that may accumulate.
- Do not clean with abrasive materials, bleach, or solvents.
- Store the gazebo in a dry, sheltered place when not in use.
- Keep the gazebo away from fire, extreme heat, freezing conditions, and inclement weather such as rain, hail, sleet, snow, or wind.



Questions, problems, missing parts? Before returning to the store  
call Royal Garden Customer Service.

6 a.m. - 9 p.m., EST, 9 a.m. - 5 p.m., PST, Monday - Friday

**(866) 988-3300**

**WWW.ROYALGARDEN.COM**

Retain this manual for future use.