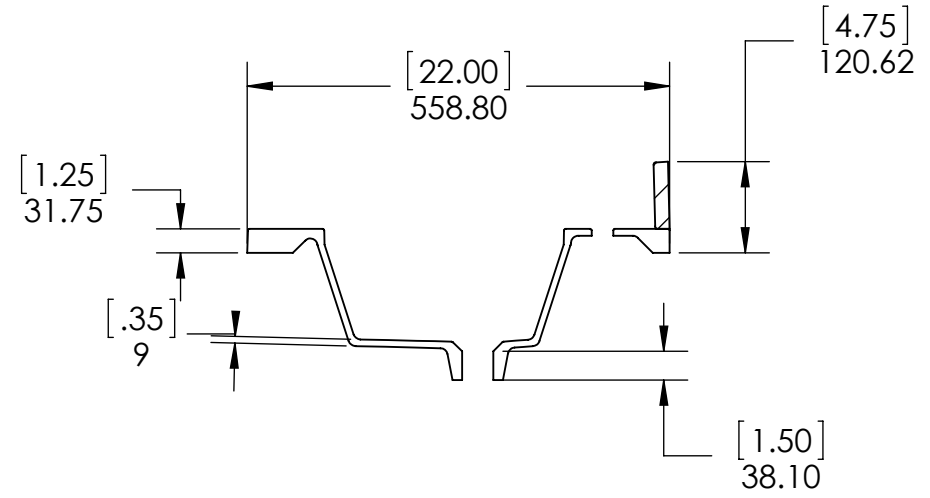
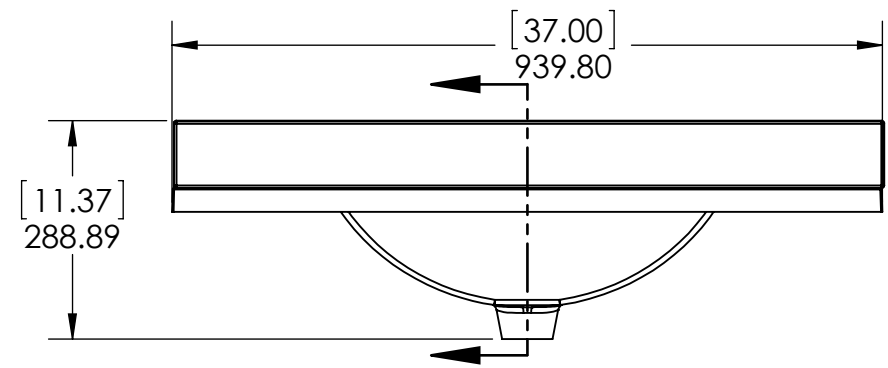
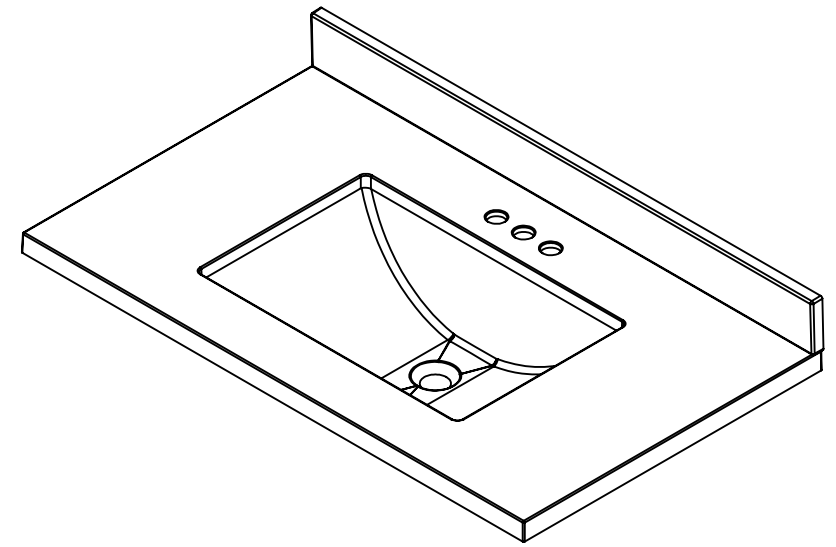
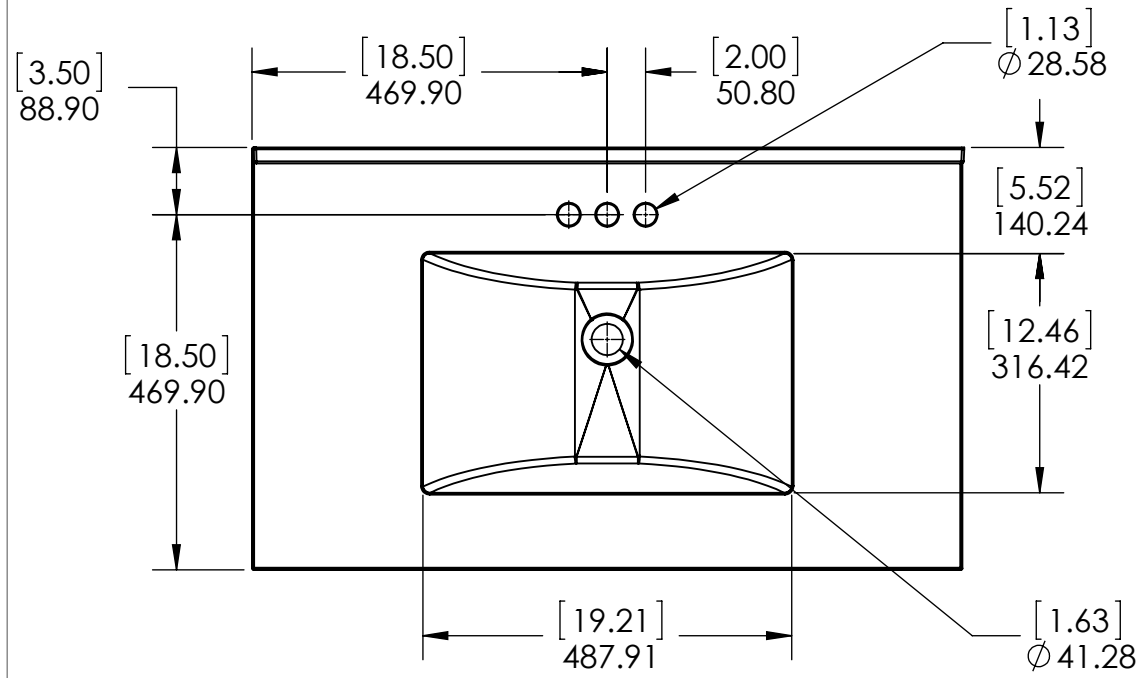


DRAWING TYPE	ITEM ID	ITEM DESCRIPTION	TECHNOLOGIES	DRAWING STATUS
Finish Good	SS3722R-TI	Vtop Rect 37x22 SS Titanium	Solid Surface	Design Process
Finish Good	SS37R-AH	Vtop Rect 37x22 SS Silver Ash Shark tank	Solid Surface	Ready for production

REV	ECO #	DESCRIPTION	REV'D BY DATE	CHK'D BY DATE	APRV'D BY DATE
1		Original	4/05/16	4/05/16	4/05/16
2		Nuevo color	1/16/18	1/16/18	1/16/18



**PROPRIETARY AND CONFIDENTIAL**  
 THE INFORMATION CONTAINED IN THIS DRAWING IS THE SOLE PROPERTY OF WOODCRAFTERS. ANY REPRODUCTION IN PART OR AS A WHOLE WITHOUT THE WRITTEN PERMISSION OF WOODCRAFTERS IS PROHIBITED.

UNLESS OTHERWISE SPECIFIED  
 DIMENSIONS ARE IN MM. AND (INCHES)  
 TOLERANCES ARE  
 +0.125 [3.175] -0.125 [-3.175]  
 SCALE:1:10

	NAME	DATE
DRAWN	R. Rubio	1/27/16
CHECKED	R. Rubio	4/05/16
ENG APPR.	R. Rubio	4/05/16
MFG APPR.	C. Leal	4/05/16

**Wood Crafters**  
 SIZE DWG. NO. **A** Vtop Rect 37x22 Solid Surface  
 SHEET 1 OF 1  
 REV: **2**