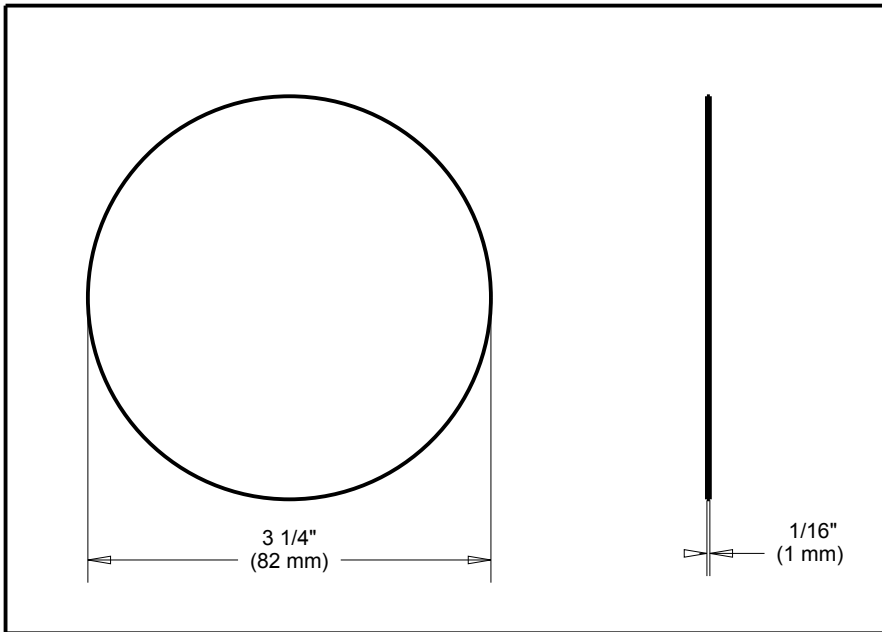


ACCESSORIES

- Bath Safety Accessories
- Meets ADA Standards
- Non-Slip Safety Tread Shapes

Submitted Model No.: _____

Specific Features: _____



STANDARD SPECIFICATIONS:

WARRANTY

- Lifetime Faucet and Finish Limited Warranty to the original consumer purchaser to be free from defects in material and workmanship.
- 5 Year Limited Warranty for usage in all industrial, commercial and business applications.

