



## Value and versatility defined

Equal parts wall pack and canopy light, the OLCFM LED luminaire is engineered for adaptability. Versatile and attractive, the luminaire can be seamlessly and beautifully integrated throughout a site in either wall- or ceiling-mount applications. The sleek, low-profile luminaire is offered in bronze and white finishes, and its 4000K LEDs provide crisp, white light that produces optimal results.



OLCFM replaces up to 100W **Incandescent**



# Value and versatility defined

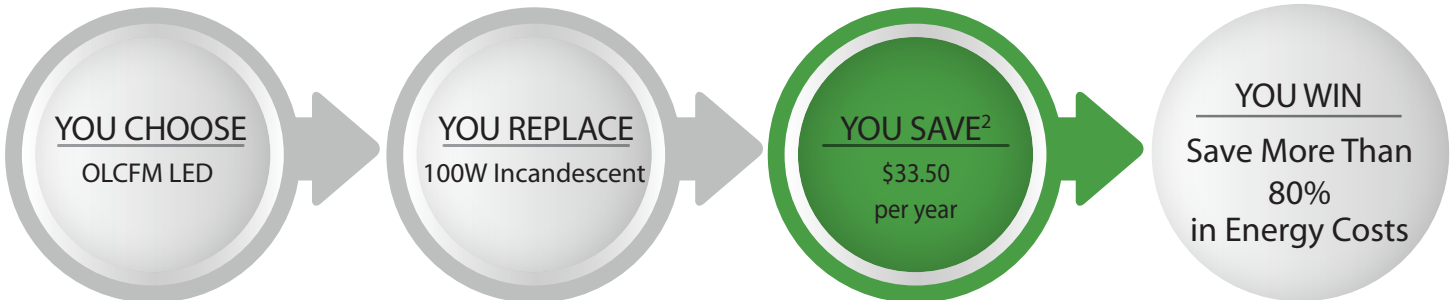
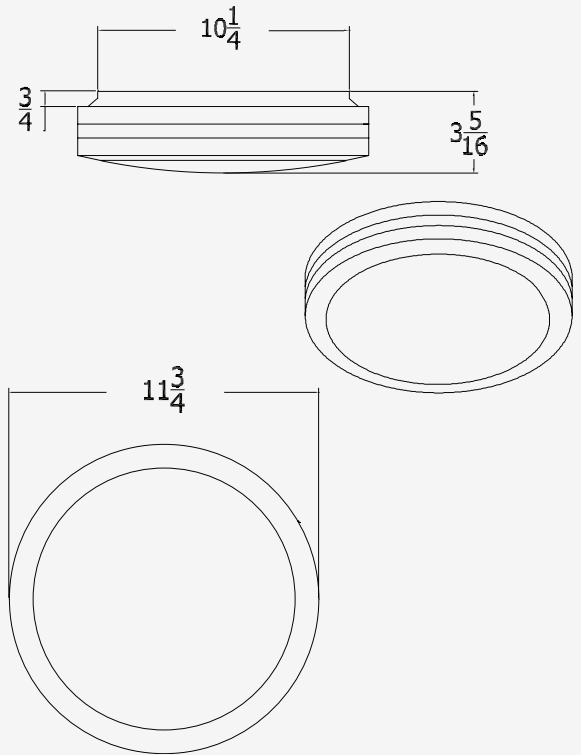


Mounts to a recessed junction box on wall or ceiling.

- Up to 1,077 lumens, consuming only 16.6 watts for up to 64 lumens per watt
- 50,000 hour LED life<sup>1</sup>
- Designed for simplicity, the fixture includes sophisticated microDrive™ Technology which eliminates the need for an LED driver
- Frosted diffuser projects a bright white light
- Available in neutral 4000K color temperature
- UL/CUL wet location listed for ceiling or wall mounting above 4 feet from ground

<sup>1</sup> LED lifespan based on IESNA LM-80-08 results and calculated per IESNA TM-21-11 methodology.

## Product Dimensions



<sup>2</sup> Based on 10 hours operation per day and energy costs of \$.11 per kWh

### ORDERING INFORMATION

Example: OLCFM 15 DDB

OLCFM				
Series	Light Engine	Color Temperature	Voltage	Finish
OLCFM	15	(blank) 4000K	(blank) 120V	DDB Dark Bronze WH White

