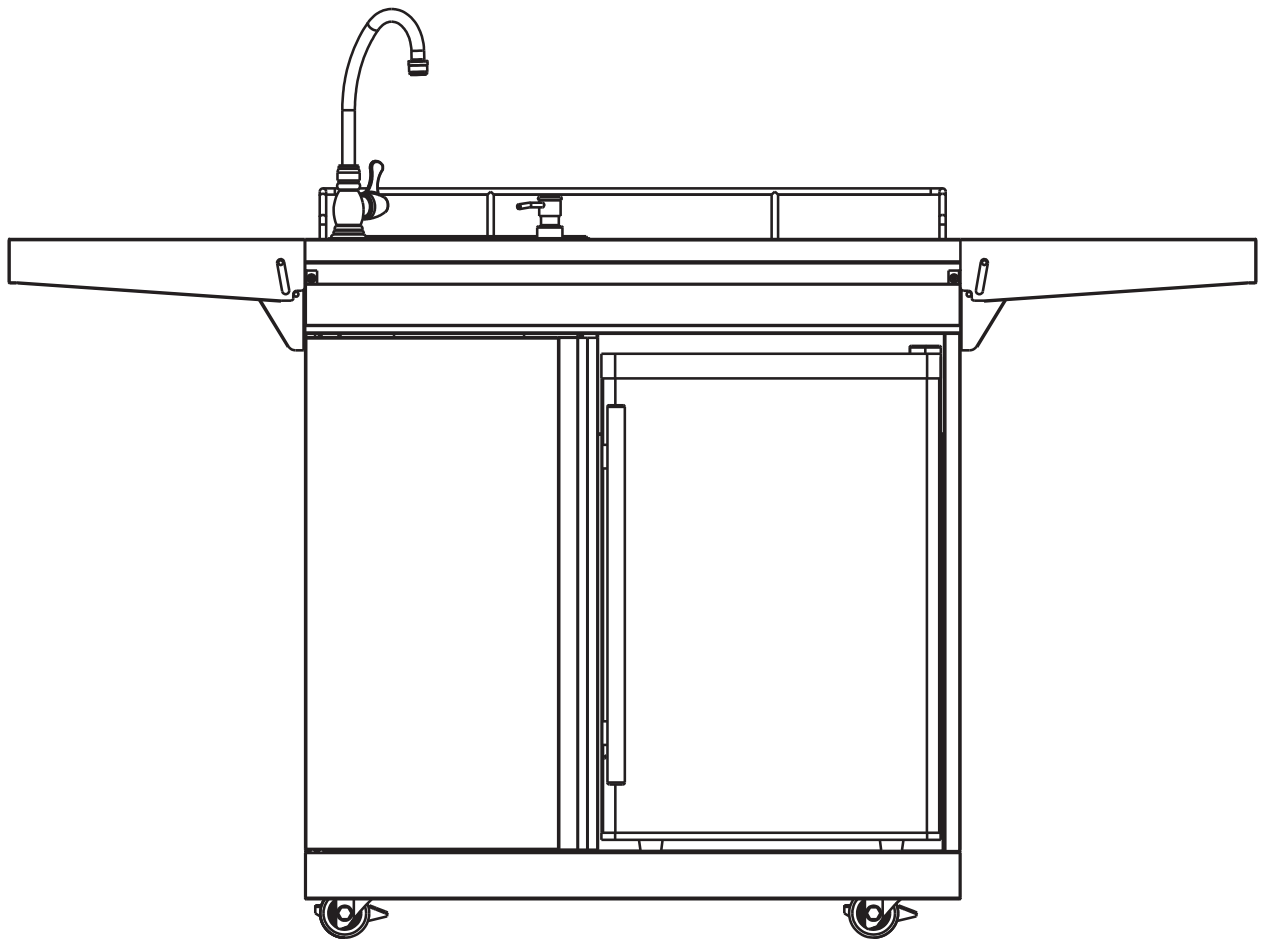


LeisureSeason

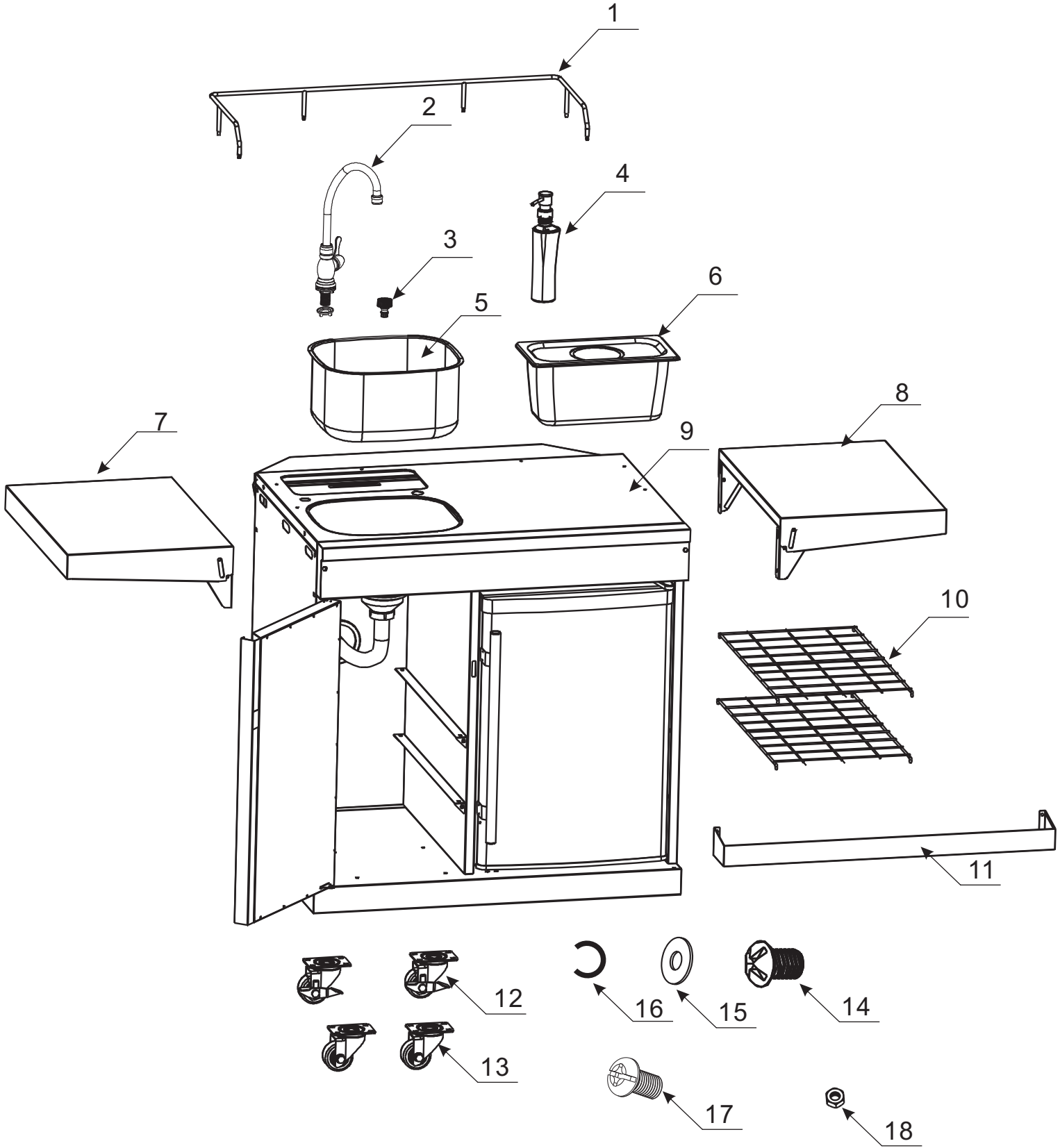
Transforming Outdoor Spaces

Owner's Manual



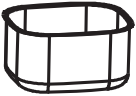
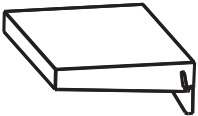
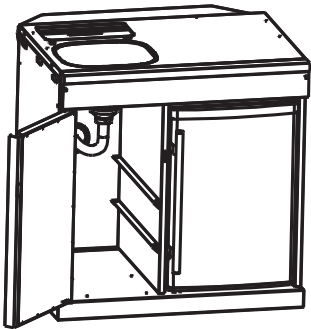




Model No.: OKC158



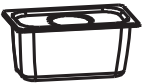








Expanded View

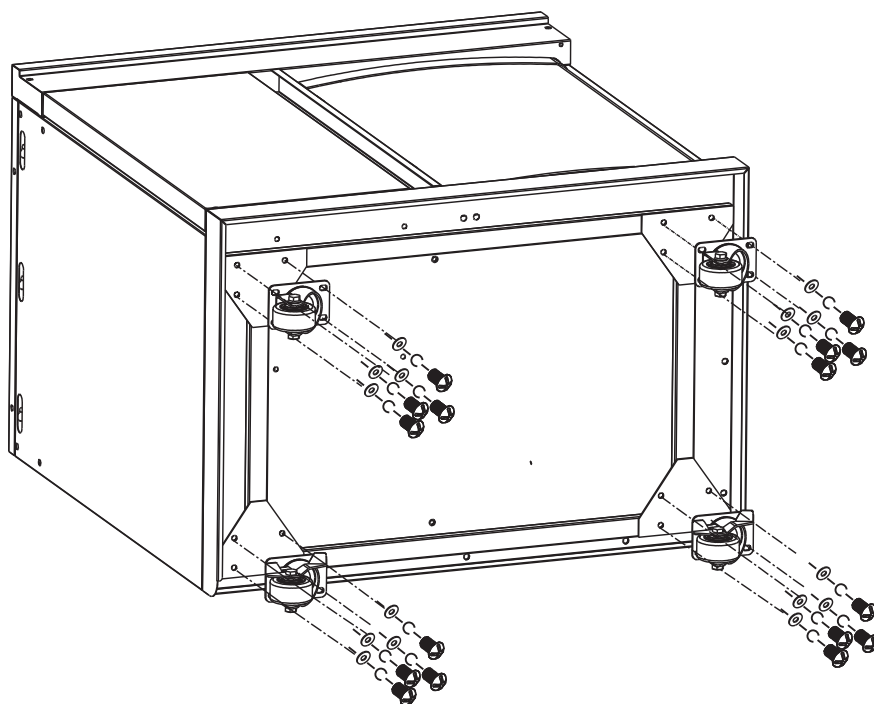


Part List

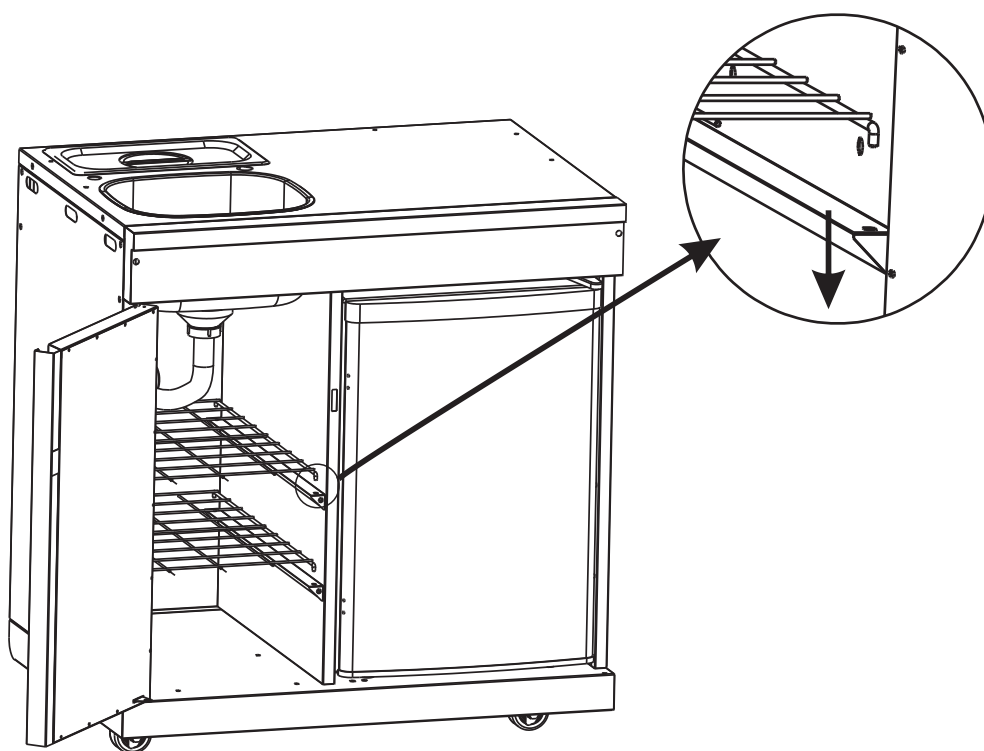
NO	DESCRIPTION	QTY
1		1
3		1
5		1
7		1
9		1
11		1
13		2
15		16
17		10

NO	DESCRIPTION	QTY
2		1
4		1
6		1
8		1
10		2
12		2
14	 M8	16
16		16
18		4

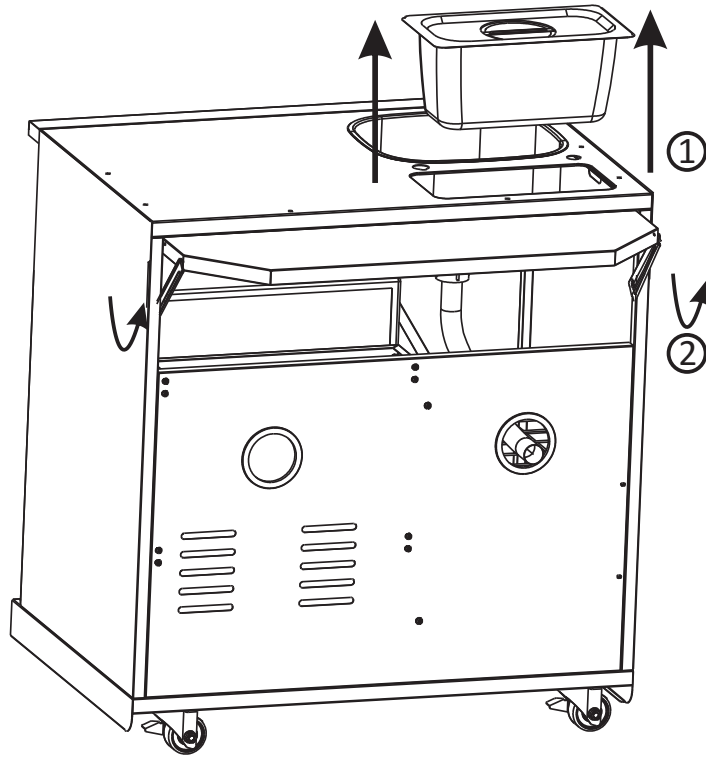
1. Attach the 2 castors with brakes (No.12) and 2 castors without brakes (Part No. 13) using 16 screws (Part No. 14, No. 15, No. 16).



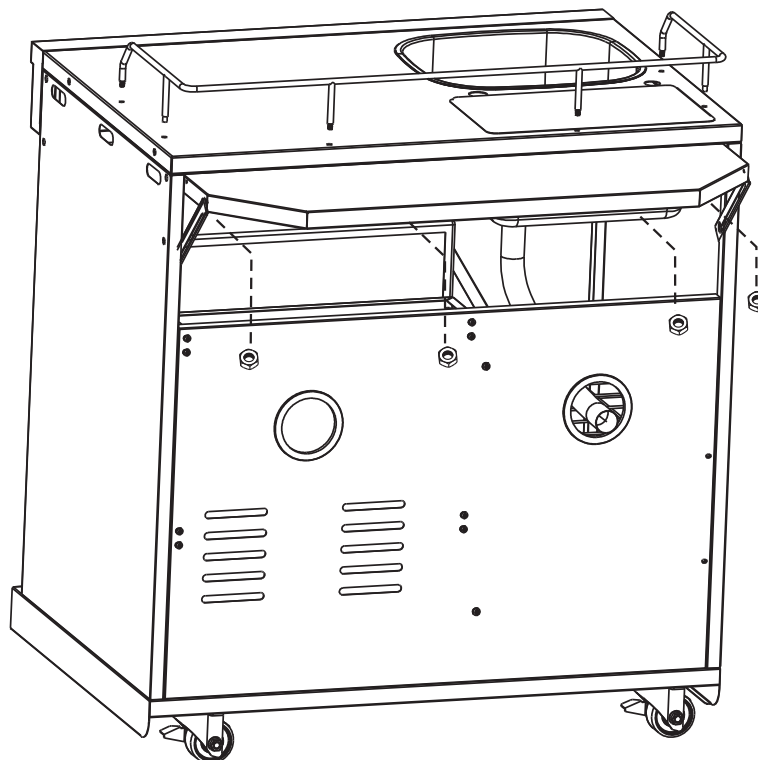
2. Insert the racks (Part No. 10) into the cabinet.



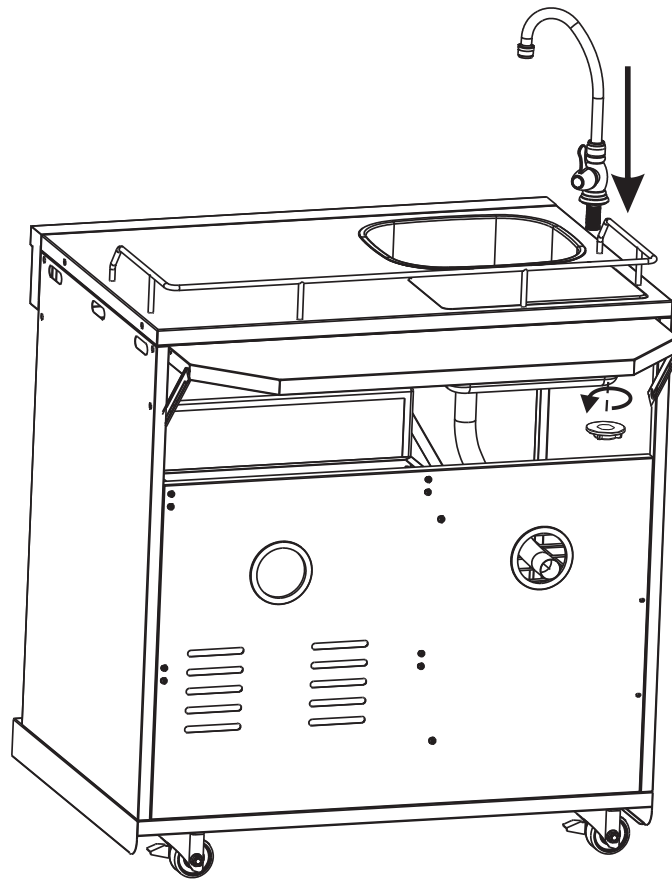
3. Draw up the back working table, take the ice box (Part No. 6) out.



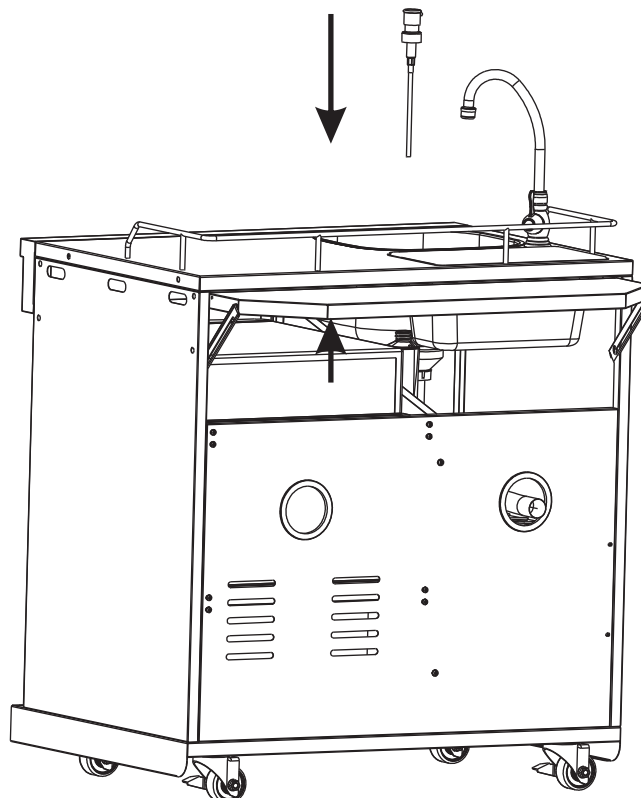
4. Attach the rail (Part No. 1) by 4 nuts (Part No. 18).



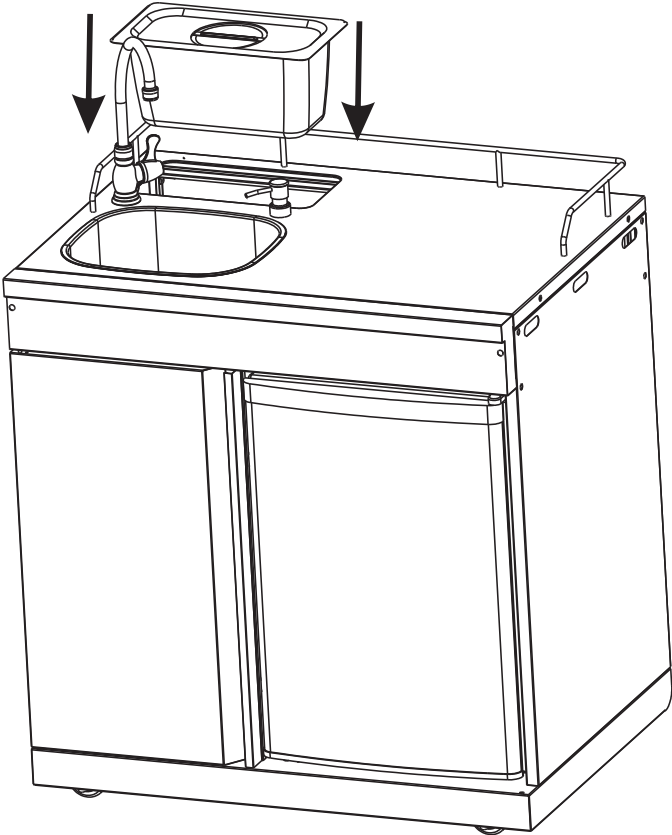
5. Assemble the tap (Part No. 2), and then screw into the quick water connector (Part No. 3).



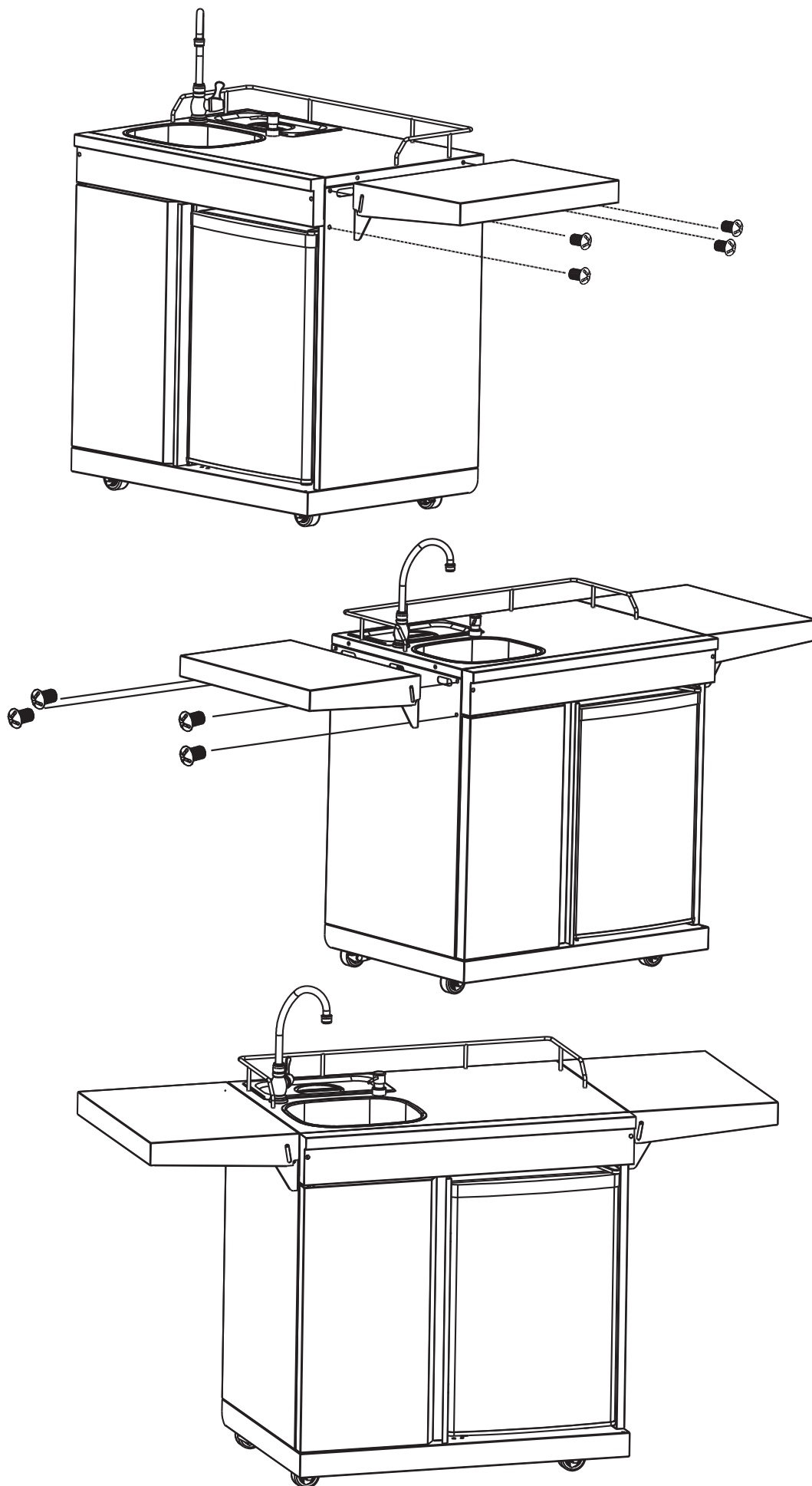
6. Remove the sink (Part No. 5) and then attach the detergent bottle (Part No. 4) on the top panel as shown, replace sink after detergent bottle assembly.



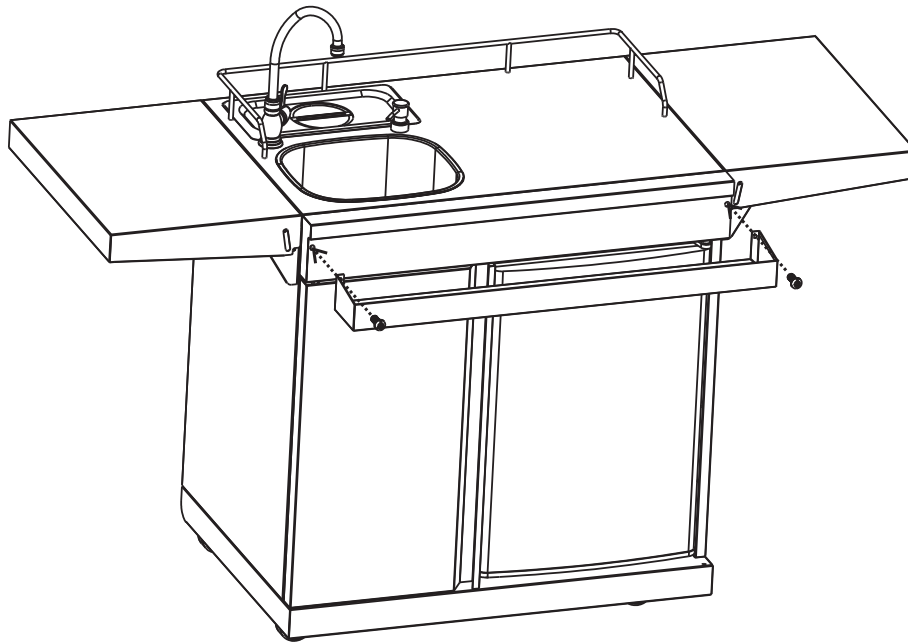
07. Insert the ice box (Part No. 6) as shown.



08. Attach the side table (Part No. 7 and Part No. 8) using 8 screws (Part No. 17).

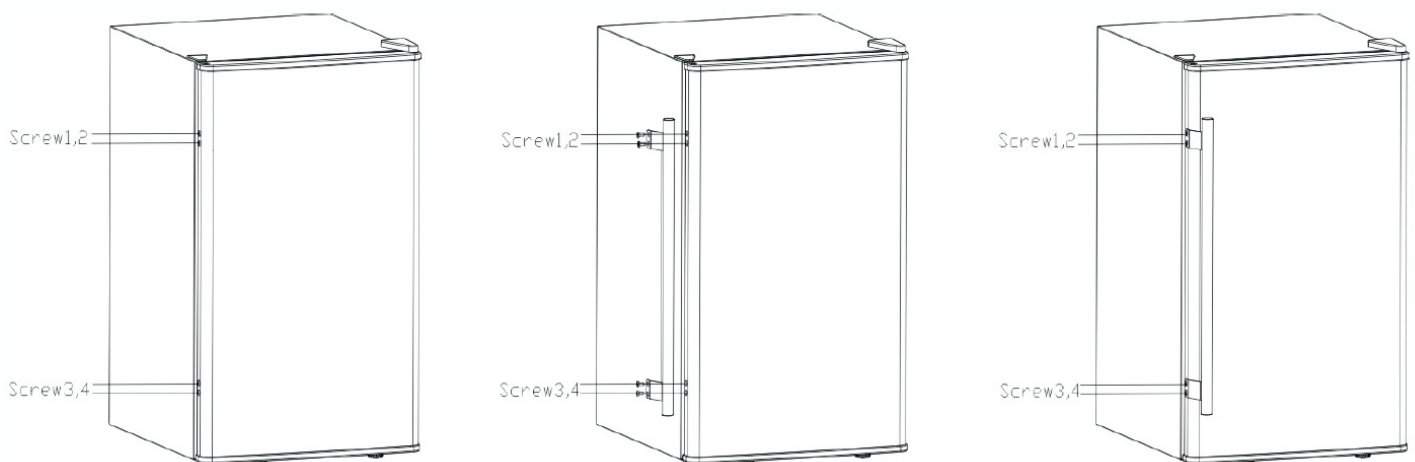


09. Attach the front sauce holder (Part No. 11) using 2 screws (Part No. 17).



ASSEMBLING THE HANDLE

1. Please open the door, take the handle part stored in the cavity for transportation.
2. Unscrew the screws on left or right side (you may decide to assemble the handle on left or right side as your always customary to open the door).
3. Position the handle in front of the screws. Screw clockwise until tight.



Assembly
finished.

