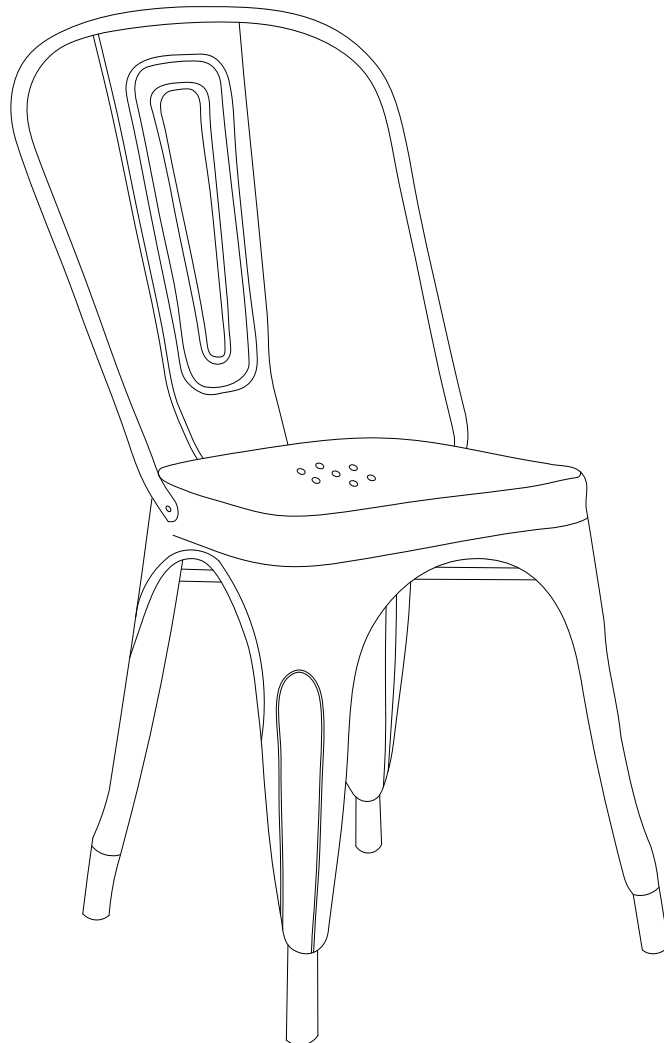


**W** Walker  
**E** Edison  
furniture company

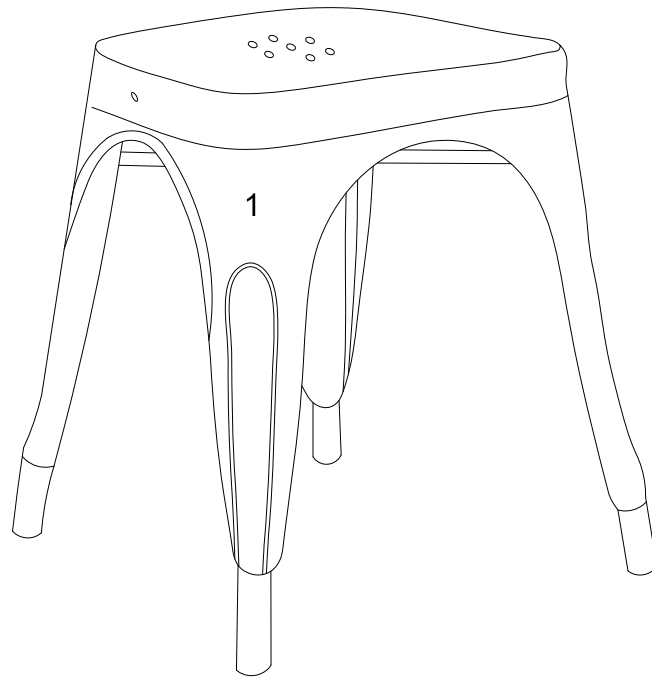
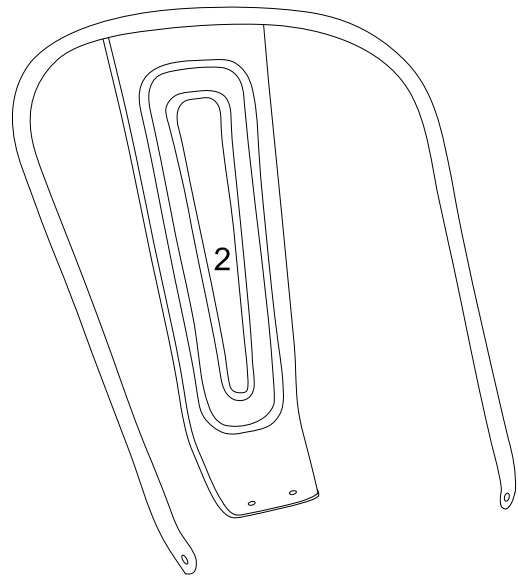
Item # :CH33MC  
Assembly Instructions



*To request missing, lost or broken parts,, or for any other customer service issues,  
please visit our website at [www.walkeredison.com](http://www.walkeredison.com) or call us at 877-207-5906.*

Revised 07/2015

# Parts List



# Hardware List

A



Bolt

4 pcs

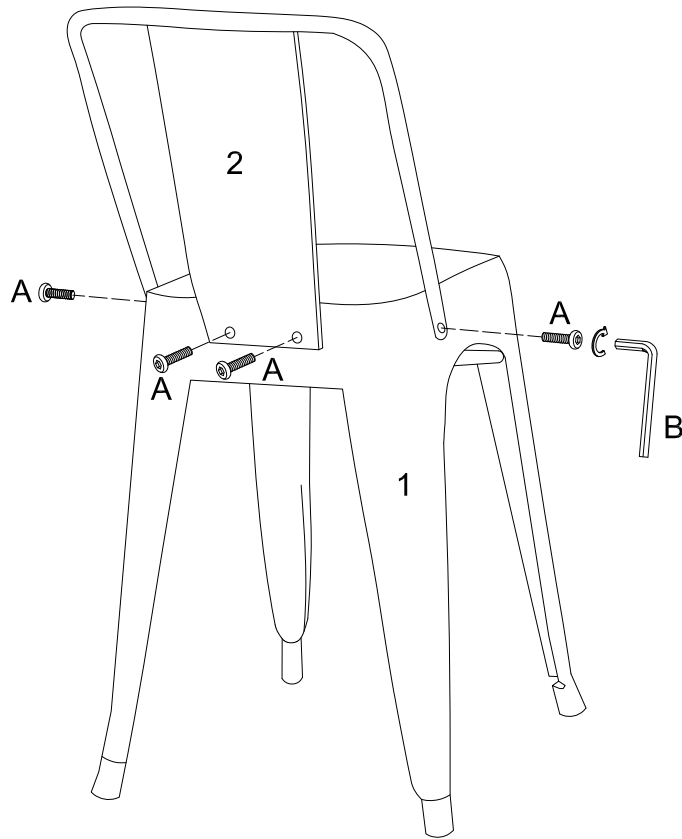
B



Wrench

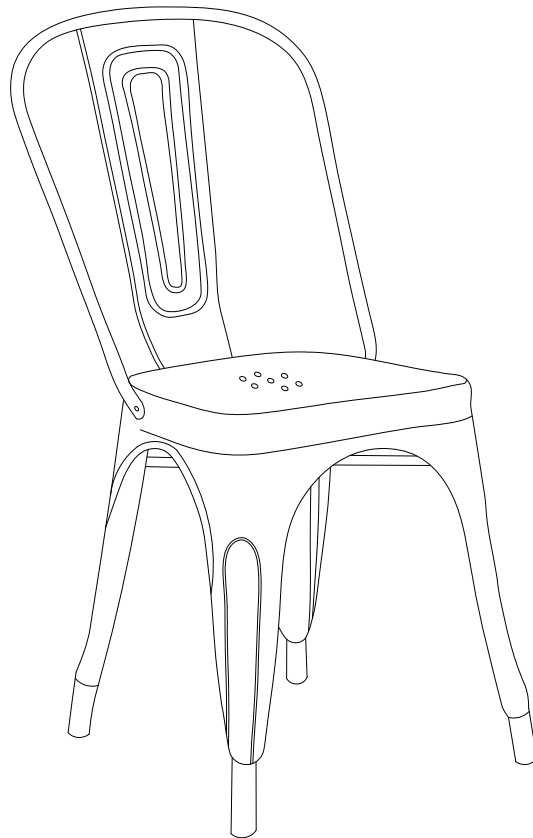
1 pc

## Step 1



Assemble the back panel (2) to the chair (1) by using bolts (A) and wrench (B).

## Step 2



**Final Assembly**