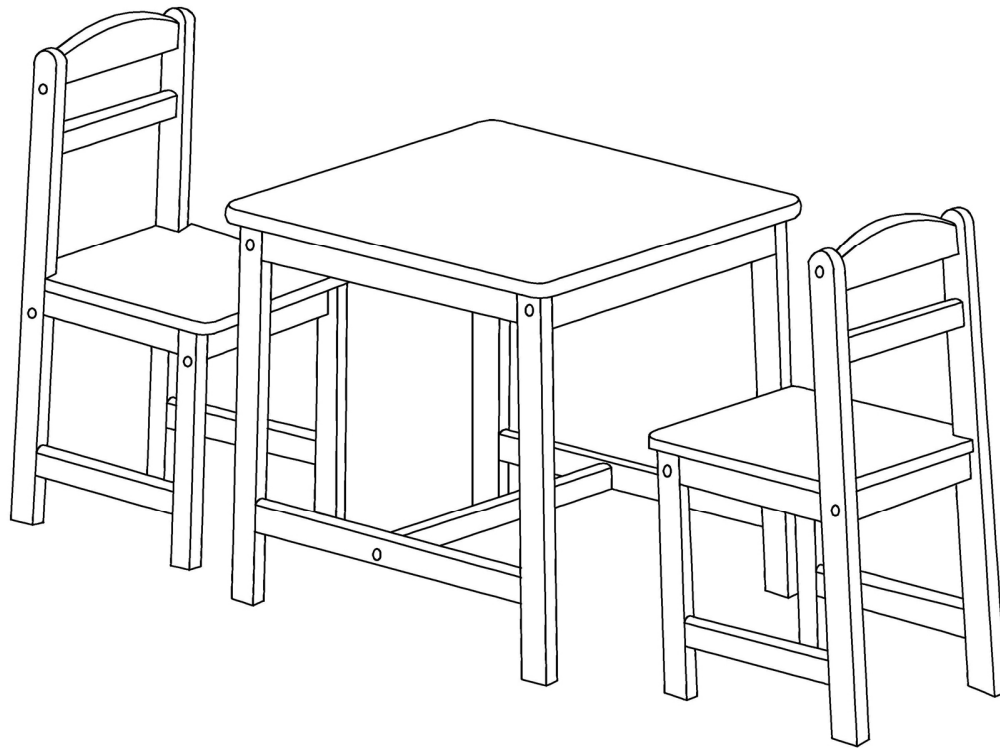


ASSEMBLY INSTRUCTIONS



Description : THREE-PIECE JUVENILE SET
Item No. : 2027

ITEM NO.: 2027
REVISED AUG 29, 2014

Printed in Vietnam

BEFORE ASSEMBLY

Thank you for purchasing this quality product. This product has been designed for easy assembly and constructed for durability. All parts were checked prior to packaging to insure quality. Prior to beginning assembly, however, make sure all parts and hardware are included and free of obvious defect. If a part is missing or defective, please contact the store where purchased. If hardware is missing, or you need help with assembly, please call toll free 888-944-8396.

IMPORTANT NOTE:

- Place all wooden parts on a clean and smooth surface such as a rug or carpet to avoid the parts from being scratched.
- Remove all wrapping material, including staples & packing straps before you start to assemble.
- DO NOT tighten all screws and bolts until completely assembled.
- Keep all hardware parts out of reach of children.

WARNING:

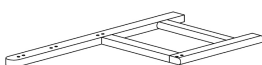
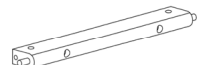


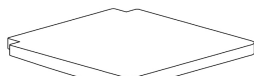
Long exposure to rubber or soft plastic may cause a chemical reaction and damage the finish of your table. Protect the surface of the table with cloth if you are using any product with rubber feet or base.



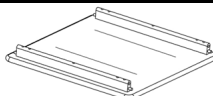
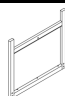

PART LIST

When unpacking, please be careful not to discard any parts with the packaging. Before continuing, please make sure you have the following parts:

1/ CHAIR (per piece):

NO	Description	Qty	Sketch	NO	Description	Qty	Sketch
A	Side frame (L-R)	2		B	Front & back apron	2	
C	Crossbar	1		D	Top crossbar	1	
E	Wood seat	1					

2/ TABLE:

NO	Description	Qty	Sketch	NO	Description	Qty	Sketch
F	Top	1		G	Leg frame (L-R)	2	
H	Center crossbar	1					

ITEM NO.: 2027

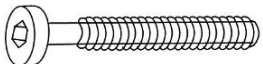
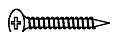


Printed in Vietnam

REVISED AUG 29, 2014

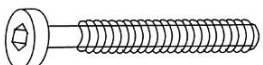



HARDWARE LIST

When unpacking, please be careful not to discard any parts with the packaging. Before continuing, please make sure you have all of the following hardware in a large bag:

1/ CHAIR: totally same in 2 small bags, for 2 chairs

NO	Description	Qty	Sketch	NO	Description	Qty	Sketch
1	Bolt (M6x50mm)	6		2	Screw (M4x35mm)	4	
3	Barrel nut (M6x13mm)	6		4	Allen key (4x80mm)	1	

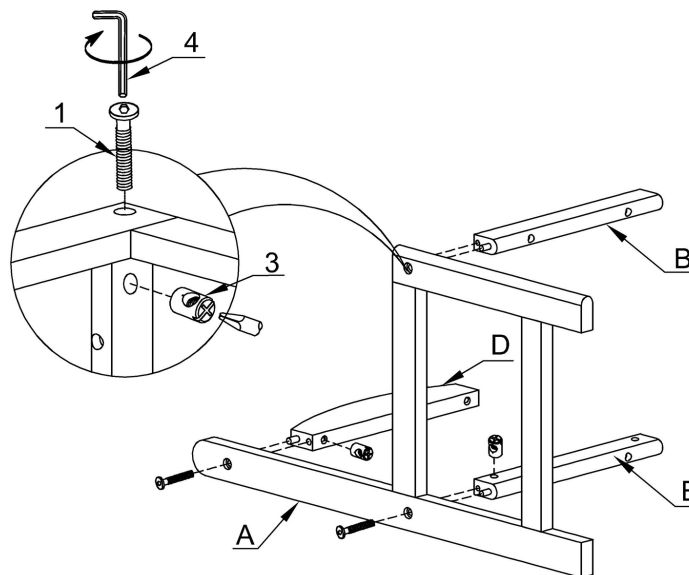
2/ TABLE: in a small bag

NO	Description	Qty	Sketch	NO	Description	Qty	Sketch
1	Bolt (M6x50mm)	6		2	Screw (M4x35mm)	6	
3	Barrel nut (M6x13mm)	6		4	Allen key (4x80mm)	1	

STEP1-chair

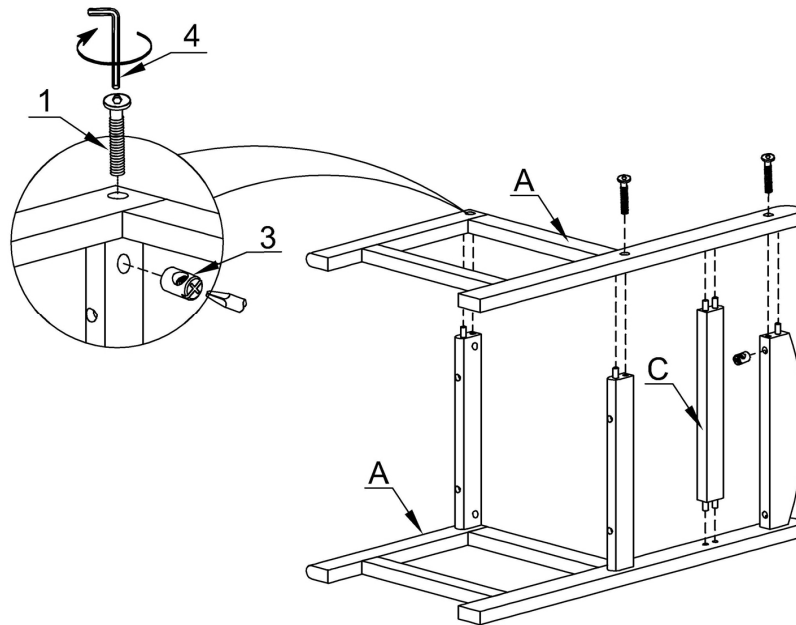
Attach stretchers (B), and crossbar (D) to the 1st side frame (A) with bolts (1) and nuts (3). Tighten with Allen key (4) as shown below.

Note: DO NOT fully tighten any of the bolts, until the chair is assembled, then put on a flat level surface to make sure the chair is level and then tighten the bolts.



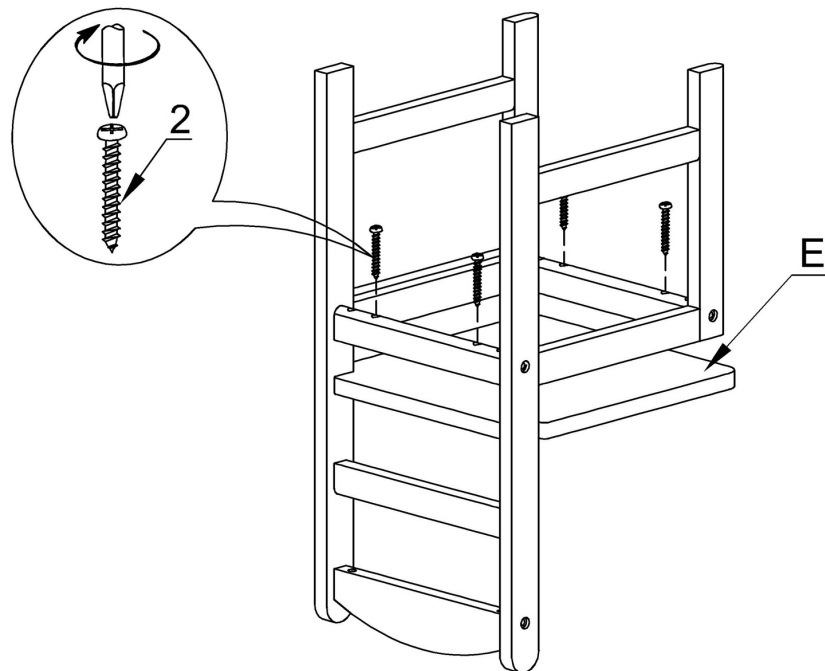
STEP 2 - chair

Attach crossbar (C) to the 1st side frame (A). Then attach the 2nd side frame (A) to the unit with bolts (1), and nuts (3). Tighten with Allen key (4).



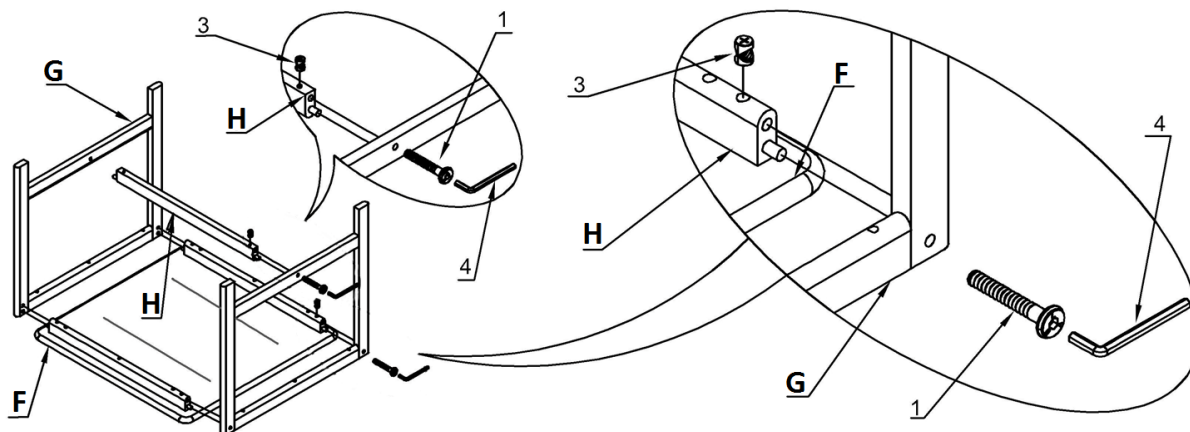
STEP 3 - chair

Attach the seat (E) to top of the seat frame (from Step 2) with screws (2). Tighten with a screwdriver.



STEP 4 – table

Attach leg frames (G) to the top (F) with bolts (1), and nuts (3). Tighten with Allen key (4).
Attach center crossbar (H) to the leg frames (G) with bolts (1) and nuts (3). Tighten with Allen key (4).



STEP 5 – table

Attach aprons of leg frames (G) to top (F) with screws (2). Tighten with a screwdriver as shown below.

