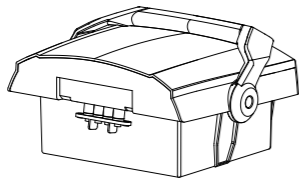


RYOBI

48 VOLT BATTERY

AM00180
(31104250G)



Always mention the above model number when communicating with us regarding battery.

Use battery for Ryobi Lawn Mower RY14110 only. Refer to the Lawn Mower Operator's Manual.

SAFETY RULES

WARNING!

READ AND UNDERSTAND ALL INSTRUCTIONS. Failure to follow all instructions listed below, may result in electric shock, fire and/or serious personal injury.

- **Battery tools do not have to be plugged into an electrical outlet; therefore, they are always in operating condition. Be aware of possible hazards when not using your battery tool or when changing accessories.** Following this rule will reduce the risk of electric shock, fire, or serious personal injury.
- **Do not place battery tools or their batteries near fire or heat.** This will reduce the risk of explosion and possibly injury.
- **Do not crush, drop or damage battery pack. Do not use a battery pack or charger that has been dropped or received a sharp blow.** A damaged battery is subject to explosion. Properly dispose of a dropped or damaged battery immediately.
- **Batteries can explode in the presence of a source of ignition, such as a pilot light.** To reduce the risk of serious personal injury, never use any cordless product in the presence of open flame. An exploded battery can propel debris and chemicals. If exposed, flush with water immediately.
- **Do not charge battery tool in a damp or wet location.** Following this rule will reduce the risk of electric shock.
- **Recommended charger:**

MODEL	CHARGER
AM00180 (31104250G)	QL-91435A-4801800H (31109250G)
- **Remove the battery pack from the charger once it is fully charged and ready for use.**
- **For best results, your battery tool should be charged in a location where the temperature is more than 23°F but less than 104°F.** To reduce the risk of serious personal injury, do not store outside or in vehicles.
- **Under extreme usage or temperature conditions, battery leakage may occur. If liquid comes in contact with your skin, wash immediately with soap and water, then neutralize with baking soda. If liquid gets into your eyes, flush them with clean water for at least 10 minutes, then seek immediate medical attention.** Following this rule will reduce the risk of serious personal injury.
- **Save these instructions.** Refer to them frequently and use them to instruct others who may use this tool. If you loan someone this tool, loan them these instructions also to prevent misuse of the product and possible injury.

OPERATION

BATTERY METER

See Figure 1.

Since the mower battery is shipped in a low charge condition, the battery must be charged before use. The battery has four LED lights to indicate battery capacity. These lights will illuminate when the button is pressed.

If four LED lights illuminate, the battery is 100% charged and ready for use.

Three lights indicate a 50-80% charge. Two lights indicate a 30-50% charge. If one light illuminates, the battery will soon require charging. It is recommended that the battery be charged at this point. The battery is at 5-30% charge when one light illuminates.

If no lights illuminate, the battery must be charged IMMEDIATELY before use. There is less than 5% of battery charge remaining if none of the lights come on.

NOTE: When none of the lights are on, you must stop the mower and charge the battery immediately, or it will reduce the life of the battery.

CHARGING THE BATTERY

See Figures 1-2.

WARNING:

Always remove the fuse key and store it in a separate location out of the reach of children when the mower is charging or not in use. Failure to remove the fuse key may result in accidental starting or unauthorized use and cause serious personal injury.

- The battery should be charged in a cool, dry place. The battery charger should be operated in temperatures between 23°F and 104°F.
- Charge the battery only with the charger provided.
- The battery may be charged while it is connected to the mower, or while it is disconnected from the mower.
- Allow at least 10-12 hours of charge time before initial use of the mower.
- The charger may remain connected to the battery pack any time the mower is not in use.
- To improve battery life, store battery indoors in a controlled climate.
- The battery does not have to be fully discharged before recharging.
- Two to three initial charging/discharging cycles may be required to achieve maximum run time/capacity.
- When fully charged, the battery can be safely stored in temperatures down to -40°F for a period of up to two weeks, before it requires charging.

To charge:

- Make sure the power supply is normal household voltage, **120 volts, AC only, 60 Hz.**
- Remove the fuse key and store in separate location out of reach of children.
- Remove the cover from the battery receptacle.
- Plug the charger connector into the receptacle on the mower battery.
- Insert the 120 volt plug of the charger into the wall receptacle.
- The red light on the charger should come on, indicating you have power and the battery is being charged. The red light should change to a green light when charging is complete. A fully discharged mower will charge in approximately 10-12 hours.
- When charging is complete, disconnect the charger from the battery, and replace the receptacle cover.

CAUTION:

If at any point during the charging process none of the LEDs on charger are lit, remove the battery pack from the charger to avoid damaging the product. DO NOT insert another battery. Return the charger and battery to your nearest service center for service or replacement.

CAUTION:

Charge in a well-ventilated area. Do not block charger vents. Keep them clear to allow proper ventilation.

REPLACING THE BATTERY

See Figure 2.

The mower battery is designed for maximum life; however, like all batteries, it will eventually need to be replaced.

Charge the new battery before use. See *Charging the Battery* in the Operation section of this manual.

To install a new battery:

- Remove the fuse key.
- Carefully lift the old battery by the handle.
- Install the new battery.
- Take the old battery to a recycling center that accepts lead acid batteries. Never dispose of battery in fire or regular household trash.

MAINTENANCE

STORING THE BATTERY

To obtain the longest possible battery life, we suggest the following:

- Remove the charger from the battery once it is fully charged and ready for use.
- For battery pack storage longer than 30 days:
 - Store the battery where the temperature is below 80°F.
 - Store battery in a "charged" condition.

BATTERY PACK REMOVAL AND PREPARATION FOR RECYCLING



To preserve natural resources, please recycle or dispose of batteries properly.

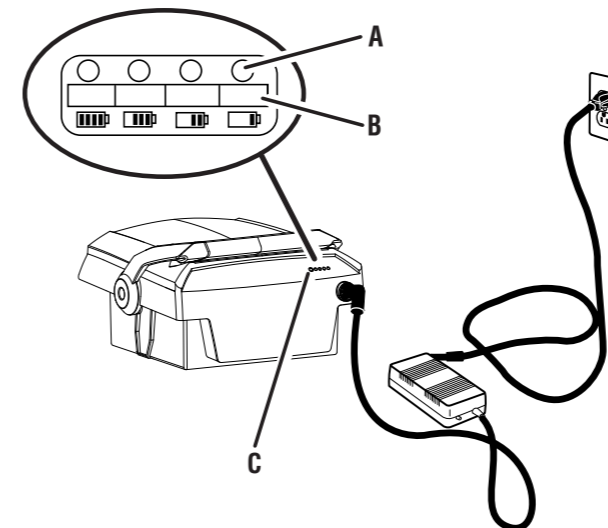
This product uses lead acid batteries. Local, state or federal laws may prohibit disposal of batteries in ordinary trash.

Consult your local waste authority for information regarding available recycling and/or disposal options.

WARNING:

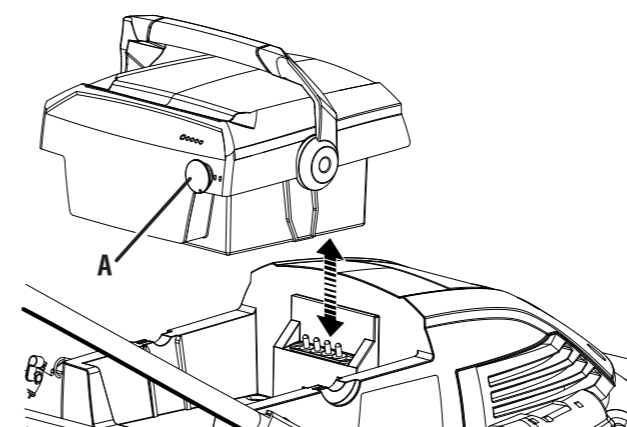
Upon removal, cover the battery pack's terminals with heavy-duty adhesive tape. Do not attempt to destroy or disassemble battery pack or remove any of its components. Lead acid batteries must be recycled or disposed of properly. Also, never touch both terminals with metal objects and/or body parts as short circuit may result. Keep away from children. Failure to comply with these warnings could result in fire and/or serious injury.

Fig. 1



- A - LEDs (DÉL s'allument, DEL)
- B - Battery meter (compteur de pile, medidor de batería)
- C - Button (bouton, botón)

Fig. 2

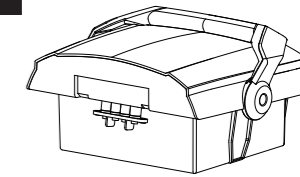


- A - Battery receptacle cover (prise ou couvercle de la pile, receptáculo y tapa del la batería)

RYOBI

48 VOLT PILE

AM00180
(31104250G)



Toujours mentionner le numéro ci-dessus lors de toute communication concernant le filtre de rechange.

N'utiliser la batteries que pour les produits Ryobi autopropulsion. Consulter le manuel d'utilisation fourni avec le produit.

RÈGLES DE SECURITÉ

AVERTISSEMENT !

LIRE ET VEILLER À BIEN COMPRENDRE TOUTES LES INSTRUCTIONS. Le non respect de toutes les instructions ci-dessous peut entraîner un choc électrique, un incendie et/ou des blessures graves.

- **Les outils fonctionnant sur batteries n'ayant pas besoin d'être branchés sur une prise secteur, ils sont toujours en état de fonctionnement. Tenir compte des dangers possibles lorsque l'outil n'est pas en usage et lors du remplacement des batteries.** Le respect de cette consigne réduira les risques d'incendie, de choc électrique et de blessures graves.
- **Ne pas placer les outils électriques sans fil ou leurs batteries à proximité de flammes ou d'une source de chaleur.** Ceci réduira les risques d'explosion et de blessures.
- **Ne pas écraser, faire tomber ou endommager le bloc de batteries. Ne jamais utiliser un bloc de batteries ou un chargeur qui est tombé, a été écrasé, a reçu un choc violent ou a été endommagé de quelque façon que ce soit.** Une batterie endommagée risque d'exploser. Éliminer immédiatement toute batterie endommagée, selon une méthode appropriée.
- **Les batteries dégagent de l'hydrogène et peuvent exploser en présence d'une source d'allumage, telle qu'une veilleuse.** Pour réduire les risques de blessures graves, ne jamais utiliser un appareil sans fil, quel qu'il soit, en présence d'une flamme vive. En explosant, une batterie peut projeter des débris et des produits chimiques. En cas d'exposition, rincer immédiatement les parties atteintes avec de l'eau.
- **Ne pas recharger le bloc de batteries dans un endroit humide ou mouillé.** Le respect de cette règle réduira les risques de choc électrique.
- **Chargeurs recommandés :**

MODÈLE	CHARGEUR
AM00180 (31104250G)	QL-91435A-4801800H (31109250G)
- **Retirer les blocs-piles du chargeur dès qu'il est complètement chargé et prêt à l'emploi.**
- **Pour un résultat optimal, les batteries de l'outil doivent être rechargées dans un local où la température est de 10 à 38 °C. Ne pas ranger l'outil à l'extérieur ou dans un véhicule.**
- **Si l'outil est utilisé de façon intensive ou sous des températures extrêmes, des fuites de batterie peuvent se produire. En cas de contact du liquide avec la peau, rincer immédiatement la partie atteinte avec de l'eau savonneuse, puis neutraliser avec du jus de citron ou du vinaigre. En cas d'éclaboussure dans les yeux, les rincer à l'eau fraîche pendant au moins 10 minutes, puis contacter immédiatement un médecin.** Le respect de cette consigne réduira les risques de blessures graves.
- **Conserver ces instructions.** Les consulter fréquemment et les utiliser pour instruire les autres utilisateurs éventuels. Si cet outil est prêté, il doit être accompagné de ces instructions, afin d'éviter un usage incorrect et d'éventuelles blessures.

TECHTRONIC INDUSTRIES NORTH AMERICA, INC.

1428 Pearman Dairy Road, Anderson, SC 29625 USA
1-800-860-4050 • www.ryobitools.com

