

# Heavy-Duty, Soft-Close, Undermount Waste & Recycling Bins

- Heavy-duty, undermount slide with Soft-Close technology; 100 lb. dynamic / 125 lb. static
- Installs in minutes using self-aligning brackets secured with only six screws
- Color coordinated aluminum side rails provide stability and conceal slide hardware
- Unique, easy to clean, solid backsplash and floor that prevents debris from falling through to floor or into cabinet
- Decorative rail accents can be customized to match countertops or cabinetry
- Bins with optional lids



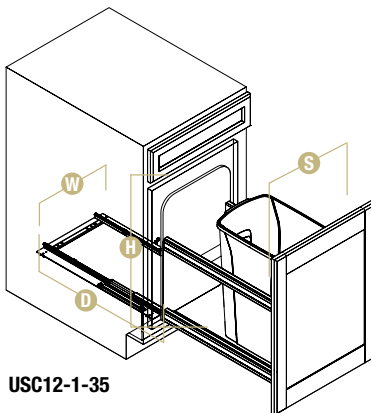
USC15-2-35PT  
(with custom rail accents)

## Door-Mount Bracket

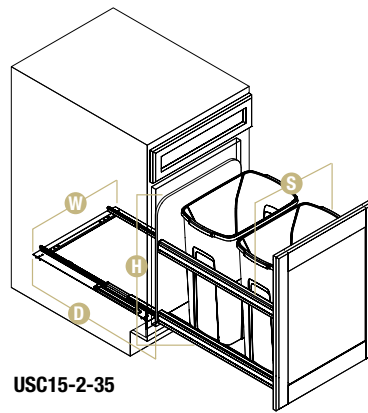
- Fits standard width opening up to door sizes 3" wider
- Simple, concealed two-screw door leveling
- Slotted screw holes allow for easy door centering
- Accommodates overlay or inset doors



USC12-1-35WH  
(with optional QT35LB-W lid)



USC12-1-35



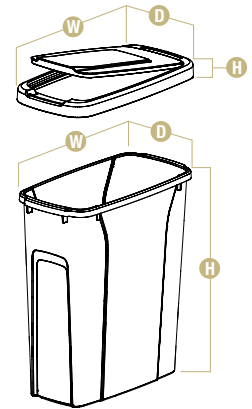
USC15-2-35

Stock #	Sliding Assembly Width S	Assembled Product Dimensions			Finish	Capacity per Bin	Number of Bins	Units per Carton	Weight per Carton
		Width W	Height* H	Depth D					
<b>SINGLE BIN UNITS</b>									
USC12-1-35WH	11-13/16" [299 mm]	11-13/16" [299 mm]	19-3/16" [487 mm]	22-7/16" [570 mm]	White	35 qt.	1	1	19.7 lbs. [8.9 kg.]
USC12-1-35PT	11-13/16" [299 mm]	11-13/16" [299 mm]	19-3/16" [487 mm]	22-7/16" [570 mm]	Platinum	35 qt.	1	1	19.7 lbs. [8.9 kg.]
USC12-1-50WH	11-13/16" [299 mm]	11-13/16" [299 mm]	23-1/4" [591 mm]	22-7/16" [570 mm]	White	50 qt.	1	1	22.1 lbs. [10 kg.]
USC12-1-50PT	11-13/16" [299 mm]	11-13/16" [299 mm]	23-1/4" [591 mm]	22-7/16" [570 mm]	Platinum	50 qt.	1	1	22.1 lbs. [10 kg.]
<b>DOUBLE BIN UNITS</b>									
USC12-2-27WH	11-13/16" [300 mm]	11-13/16" [300 mm]	19-1/2" [496 mm]	22-7/16" [570 mm]	White	27 qt.	2	1	20.9 lbs. [9.5 kg.]
USC12-2-27PT	11-13/16" [300 mm]	11-13/16" [300 mm]	19-1/2" [496 mm]	22-7/16" [570 mm]	Platinum	27 qt.	2	1	20.9 lbs. [9.5 kg.]
USC15-2-35WH	14-13/16" [376 mm]	14-13/16" [376 mm]	19-3/16" [487 mm]	22-7/16" [570 mm]	White	35 qt.	2	1	23.5 lbs. [10.7 kg.]
USC15-2-35PT	14-13/16" [376 mm]	14-13/16" [376 mm]	19-3/16" [487 mm]	22-7/16" [570 mm]	Platinum	35 qt.	2	1	23.5 lbs. [10.7 kg.]
USC18-2-50WH	14-13/16" [376 mm]	15-3/8" [391mm]	23-1/4" [592mm]	22-7/16" [570 mm]	White	50 qt.	2	1	24 lbs. [10.9 kg.]
USC18-2-50PT	14-13/16" [376 mm]	15-3/8" [391mm]	23-1/4" [592mm]	22-7/16" [570 mm]	Platinum	50 qt.	2	1	24 lbs. [10.9 kg.]

\* If using lid, add 3/4". 30 lbs. maximum per bin, not to exceed 80 lbs. total weight. Not intended for bulk storage.

# Replacement Bins & Lids

Stock #	Dimensions			Finish	Description	Units per Carton	Weight per Carton
	Width <b>W</b>	Height** <b>H</b>	Depth <b>D</b>				
<b>BINS</b>							
QT20PB-WH	14-1/4" [362 mm]	16" [406 mm]	7-1/4" [184 mm]	White	20 qt.	6	12 lbs. [5.4 kg.]
QT20PB-PT	14-1/4" [362 mm]	16" [406 mm]	7-1/4" [184 mm]	Platinum	20 qt.	6	12 lbs. [5.4 kg.]
QT27PB-W	10-5/8" [270 mm]	17-3/4" [451 mm]	10-5/8" [270 mm]	White	27 qt.	10	17.4 lbs. [7.9 kg.]
QT27PB-PT	10-5/8" [270 mm]	17-3/4" [451 mm]	10-5/8" [270 mm]	Platinum	27 qt.	10	17.4 lbs. [7.9 kg.]
QT32PB-W	14" [356 mm]	20" [508 mm]	11-3/4" [298 mm]	White	32 qt.	1	4 lbs. [1.8 kg.]
QT35PB-WH	14-1/4" [362 mm]	17-1/2" [445 mm]	9-3/16" [233 mm]	White	35 qt.	6	14 lbs. [6.4 kg.]
QT35PB-PT	14-1/4" [362 mm]	17-1/2" [445 mm]	9-3/16" [233 mm]	Platinum	35 qt.	6	14 lbs. [6.4 kg.]
QT50PB-W	15-3/8" [391 mm]	21-3/8" [542 mm]	11-1/8" [283 mm]	White	50 qt.	8	20 lbs. [9.1 kg.]
QT50PB-P	15-3/8" [391 mm]	21-3/8" [542 mm]	11-1/8" [283 mm]	Platinum	50 qt.	8	20 lbs. [9.1 kg.]
QT60PB-W*	19-1/8" [486 mm]	19-5/8" [498 mm]	13-7/8" [352 mm]	White	60 qt.	6	19.9 lbs. [9.0 kg.]
<b>LIDS</b>							
QT20LB-WH	14-1/2" [368 mm]	**	7-7/16" [189 mm]	White	Fits 20 qt.	1	2 lbs. [0.9 kg.]
QT20LB-PT	14-1/2" [368 mm]	**	7-7/16" [189 mm]	Platinum	Fits 20 qt.	1	2 lbs. [0.9 kg.]
QT35LB-WH	14-1/2" [368 mm]	**	9-9/16" [243 mm]	White	Fits 35 qt.	1	2 lbs. [0.9 kg.]
QT35LB-PT	14-1/2" [368 mm]	**	9-9/16" [243 mm]	Platinum	Fits 35 qt.	1	2 lbs. [0.9 kg.]



\* Replacement bin for Roll-Out Plastic Hampers (PSH15-1-60-W and PDMSH15-1-60-W). See page 60 for product information.  
 \*\* Lid adds 3/4" to bin height.

Replacement Bin Chart					
Product Number:	Replacement Stock Number:	Product Number:	Replacement Stock Number:	Product Number:	Replacement Stock Number:
SCB10-1-35WH	QT35PB-WH	PDMTM145-1-50WH	QT50PB-W	TSC15-1-35WH	QT35PB-WH
SCB10-1-35PT	QT35PB-PT	PDMTM15-2-35WH	QT35PB-WH	TSC15-1-35PT	QT35PB-PT
SCB12-1-50WH	QT50PB-W	PDMTM175-2-35WH	QT35PB-WH	TSC15-1-50WH	QT50PB-W
SCB12-1-50PT	QT50PB-P	PDMTM18-2-35WH	QT35PB-WH	TSC15-1-50PT	QT50PB-P
SCB12-2-27WH	QT27PB-W	PDMTM21-2-35WH	QT35PB-WH	TSC15-2-35WH	QT35PB-WH
SCB12-2-27PT	QT27PB-PT	SBM12-2-27WH	QT27PB-W	TSC15-2-35PT	QT35PB-PT
SCB15-1-20WH	QT20PB-WH	SBM24-4-27WH	QT27PB-W	TSC18-2-35WH	QT35PB-WH
SCB15-1-20PT	QT20PB-PT	SBM10-1-35WH	QT35PB-WH	TSC18-2-35PT	QT35PB-PT
SCB15-2-20WH	QT20PB-WH	SBM12-1-50WH	QT50PB-W	USC12-1-35WH	QT35PB-WH
SCB15-2-20PT	QT20PB-PT	SBM15-1-20WH	QT20PB-WH	USC12-1-35PT	QT35PB-PT
SCB15-2-35WH	QT35PB-WH	SBM15-1-35WH	QT35PB-WH	USC12-1-50WH	QT50PB-W
SCB15-2-35PT	QT35PB-PT	SBM15-2-20WH	QT20PB-WH	USC12-1-50PT	QT50PB-PT
SCB15-3-20WH	QT20PB-WH	SBM15-2-35WH	QT35PB-WH	USC12-2-27WH	QT27PB-W
SCB15-3-20PT	QT20PB-PT	SBM15-3-20WH	QT20PB-WH	USC12-2-27PT	QT27PB-PT
SCB24-4-27WH	QT27PB-W	SBM9-1-20WH	QT20PB-WH	USC15-2-35WH	QT35PB-WH
SCB24-4-27PT	QT27PB-PT	RRC28K-W	QT32PB-W	USC15-2-35PT	QT35PB-PT
SCB9-1-20PT	QT20PB-PT	RRC28PT-W	QT32PB-W	USC18-2-50WH	QT50PB-WH
SCB9-1-20WH	QT20PB-WH	TSC12-1-35WH	QT35PB-WH	USC18-2-50PT	QT50PB-PT
PDMTM115-1-35WH	QT35PB-WH	TSC12-1-35PT	QT35PB-PT	PDMSH15-1-60-W	QT60PB-W
PDMTM12-1-35WH	QT35PB-WH			PSH15-1-60-W	QT60PB-W



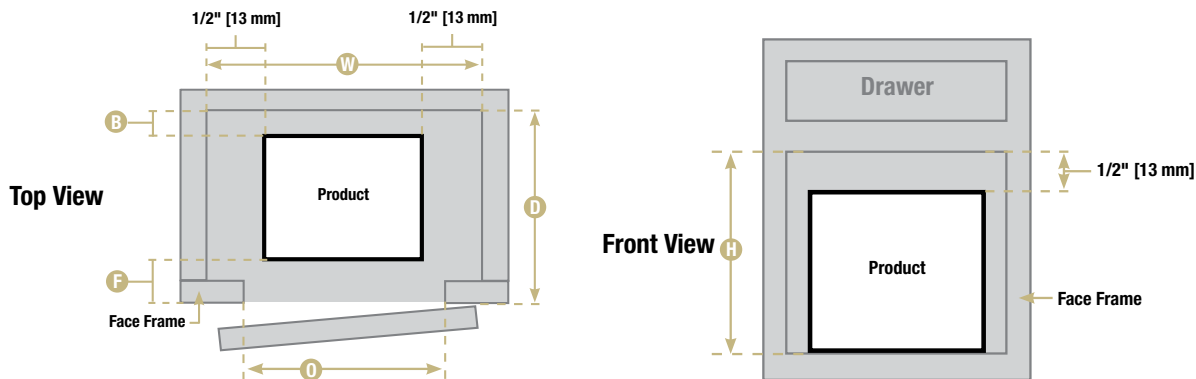
See pages 16-17 for recommended cabinet dimensions and clearances. See page 14 for bin and lid information.

# Cabinet Dimensions

Stock #	Min. Cabinet Opening		Minimum Interior Cabinet Dimensions			Minimum Cabinet Clearances	
	Width <b>O</b>	Width <b>W</b>	Height* <b>H</b>	Depth <b>D</b>	Front <b>F</b>	Back <b>B</b>	
<b>Single Bin Units</b>							
<b>Non-Door-Mount</b>							
ECW9-1-20WH	14-1/2" [368 mm]	7-1/2" [191 mm]	17-1/2" [444 mm]	16" [406 mm]	1/4" [6 mm]	1/8" [3 mm]	
ECW10-1-35WH	14-1/2" [368 mm]	10" [254 mm]	19" [482 mm]	16" [406 mm]	1/4" [6 mm]	1/8" [3 mm]	
SCB9-1-20PT	9" [229 mm]	9" [229 mm]	17-13/16" [452 mm]	20-1/2" [521 mm]	1/4" [6 mm]	1/8" [3 mm]	
SCB9-1-20WH	9" [229 mm]	9" [229 mm]	17-13/16" [452 mm]	20-1/2" [521 mm]	1/4" [6 mm]	1/8" [3 mm]	
SCB10-1-35PT	10" [254 mm]	10" [254 mm]	19-5/16" [491 mm]	20-1/2" [521 mm]	1/4" [6 mm]	1/8" [3 mm]	
SCB10-1-35WH	10" [254 mm]	10" [254 mm]	19-5/16" [491 mm]	20-1/2" [521 mm]	1/4" [6 mm]	1/8" [3 mm]	
SCB12-1-50PT	12" [305 mm]	12" [305 mm]	23-3/8" [594 mm]	20-1/2" [521 mm]	1/4" [6 mm]	1/8" [3 mm]	
SCB12-1-50WH	12" [305 mm]	12" [305 mm]	23-3/8" [594 mm]	20-1/2" [521 mm]	1/4" [6 mm]	1/8" [3 mm]	
SCB15-1-20PT	15" [381 mm]	15" [381 mm]	17-13/16" [452 mm]	16" [407 mm]	1/4" [6 mm]	1/8" [3 mm]	
SCB15-1-20WH	15" [381 mm]	15" [381 mm]	17-13/16" [452 mm]	16" [407 mm]	1/4" [6 mm]	1/8" [3 mm]	
SBM9-1-20WH	9" [229 mm]	9" [229 mm]	17-13/16" [452 mm]	20-1/2" [521 mm]	1/4" [6 mm]	1/8" [3 mm]	
SBM10-1-35WH	10" [254 mm]	10" [254 mm]	19-5/16" [491 mm]	20-1/2" [521 mm]	1/4" [6 mm]	1/8" [3 mm]	
SBM12-1-50WH	12" [305 mm]	12" [305 mm]	23-3/8" [594 mm]	20-1/2" [521 mm]	1/4" [6 mm]	1/8" [3 mm]	
SBM15-1-20WH	15" [381 mm]	15" [381 mm]	17-13/16" [452 mm]	16-3/8" [416 mm]	1/4" [6 mm]	1/8" [3 mm]	
SBM15-1-35WH	15" [381 mm]	15" [381 mm]	19-5/16" [491 mm]	16-3/8" [416 mm]	1/4" [6 mm]	1/8" [3 mm]	
<b>Door-Mount (Bottom-mount)</b>							
DWB975-W	12" [305 mm]	12" [305 mm]	12-1/8" [308 mm]	7-1/2" [191 mm]	-	1/8" [3 mm]	
WUSC12-1-35PT	11-3/4" [298 mm]	11-3/4" [298 mm]	19-1/2" [241 mm]	22-1/2" [597 mm]	-	1/8" [3 mm]	
WUSC12-1-35WH	11-3/4" [298 mm]	11-3/4" [298 mm]	19-1/2" [241 mm]	22-1/2" [597 mm]	-	1/8" [3 mm]	
WUSC12-1-50PT	11-3/4" [298 mm]	11-3/4" [298 mm]	23-1/2" [597 mm]	22-1/2" [597 mm]	-	1/8" [3 mm]	
WUSC12-1-50WH	11-3/4" [298 mm]	11-3/4" [298 mm]	23-1/2" [597 mm]	22-1/2" [597 mm]	-	1/8" [3 mm]	
USC12-1-35WH	12" [305 mm]	12" [305 mm]	19-3/16" [487 mm]	22-5/8" [575 mm]	-	1/8" [3 mm]	
USC12-1-35PT	12" [305 mm]	12" [305 mm]	19-3/16" [487 mm]	22-5/8" [575 mm]	-	1/8" [3 mm]	
USC12-1-50WH	12" [305 mm]	12" [305 mm]	23-5/16" [592 mm]	22-5/8" [575 mm]	-	1/8" [3 mm]	
USC12-1-50PT	12" [305 mm]	12" [305 mm]	23-5/16" [592 mm]	22-5/8" [575 mm]	-	1/8" [3 mm]	
<b>Door-Mount (Top-mount)</b>							
PDMTM115-1-35WH	11-1/2" [292 mm]	11-1/2" [292 mm]	18" [457 mm]	22-1/2" [572 mm]	-	1/8" [3 mm]	
PDMTM12-1-35WH	12" [305 mm]	12" [305 mm]	18" [457 mm]	22-1/2" [572 mm]	-	1/8" [3 mm]	
PDMTM145-1-50WH	14-1/2" [368 mm]	14-1/2" [368 mm]	22-1/8" [562 mm]	22-1/2" [572 mm]	-	1/8" [3 mm]	
TSC12-1-35WH	11-1/2" [292 mm]	11-1/2" [292 mm]	18" [457 mm]	23-3/8" [594 mm]	-	1/8" [3 mm]	
TSC12-1-35PT	11-1/2" [292 mm]	11-1/2" [292 mm]	18" [457 mm]	23-3/8" [594 mm]	-	1/8" [3 mm]	
TSC15-1-35WH	14-1/2" [368 mm]	14-1/2" [368 mm]	18" [457 mm]	23-3/8" [594 mm]	-	1/8" [3 mm]	
TSC15-1-35PT	14-1/2" [368 mm]	14-1/2" [368 mm]	18" [457 mm]	23-3/8" [594 mm]	-	1/8" [3 mm]	
TSC15-1-50WH	14-1/2" [368 mm]	14-1/2" [368 mm]	22-1/8" [562 mm]	23-3/8" [594 mm]	-	1/8" [3 mm]	
TSC15-1-50PT	14-1/2" [368 mm]	14-1/2" [368 mm]	22-1/8" [562 mm]	23-3/8" [594 mm]	-	1/8" [3 mm]	

## Example of Face Frame Cabinet Application

\* If using lid, add 3/4".



Dimensions shown are recommended minimum cabinet dimensions and clearances.

# Cabinet Dimensions

Stock #	Min. Cabinet Opening		Minimum Cabinet Dimensions			Minimum Cabinet Clearances	
	Width <b>O</b>	Width <b>W</b>	Height* <b>H</b>	Depth <b>D</b>	Front <b>F</b>	Back <b>B</b>	
<b>DOUBLE BIN UNITS - Non-Door-Mount</b>							
SCB12-2-27PT	12" [305 mm]	12" [305 mm]	19" [482 mm]	22-9/16 [573 mm]	–	1/8" [3 mm]	
SCB12-2-27WH	12" [305 mm]	12" [305 mm]	19" [482 mm]	22-9/16 [573 mm]	1/4" [6 mm]	1/8" [3 mm]	
SCB15-2-20PT	15" [381 mm]	15" [381 mm]	17-13/16" [452 mm]	20-3/8" [518 mm]	1/4" [6 mm]	1/8" [3 mm]	
SCB15-2-20WH	15" [381 mm]	15" [381 mm]	17-13/16" [452 mm]	20-3/8" [518 mm]	1/4" [6 mm]	1/8" [3 mm]	
SCB15-2-35PT	15" [381 mm]	15" [381 mm]	19-5/16" [491 mm]	23-3/8" [594 mm]	1/4" [6 mm]	1/8" [3 mm]	
SCB15-2-35WH	15" [381 mm]	15" [381 mm]	19-5/16" [491 mm]	23-3/8" [594 mm]	1/4" [6 mm]	1/8" [3 mm]	
SBM12-2-27WH	12" [305 mm]	12" [305 mm]	19" [482 mm]	22-9/16" [573 mm]	1/4" [6 mm]	1/8" [3 mm]	
SBM15-2-20WH	15" [381 mm]	15" [381 mm]	17-13/16" [452 mm]	20-3/8" [518 mm]	1/4" [6 mm]	1/8" [3 mm]	
SBM15-2-35WH	15" [381 mm]	15" [381 mm]	19-5/16" [491 mm]	22-3/8" [568 mm]	1/4" [6 mm]	1/8" [3 mm]	
<b>Door-Mount (Bottom-mount)</b>							
WUSC12-2-27PT	11-1/2" [292 mm]	11-3/4" [298 mm]	19-3/4" [502 mm]	22-1/2" [597 mm]	–	1/8" [3 mm]	
WUSC12-2-27WH	11-1/2" [292 mm]	11-3/4" [298 mm]	19-3/4" [502 mm]	22-1/2" [597 mm]	–	1/8" [3 mm]	
WUSC15-2-35PT	14-1/2" [368 mm]	14-3/4" [375 mm]	19-1/2" [502 mm]	22-1/2" [597 mm]	–	1/8" [3 mm]	
WUSC15-2-35WH	14-1/2" [368 mm]	14-3/4" [375 mm]	19-1/2" [502 mm]	22-1/2" [597 mm]	–	1/8" [3 mm]	
WUSC18-2-50PT	17" [432 mm]	17" [432 mm]	23-1/4" [591 mm]	22-9/16" [573 mm]	–	1/8" [3 mm]	
WUSC18-2-50WH	17" [432 mm]	17" [432 mm]	23-1/4" [591 mm]	22-9/16" [573 mm]	–	1/8" [3 mm]	
USC12-2-27PT	12" [305 mm]	12" [305 mm]	19-1/4" [489 mm]	22-9/16" [573 mm]	–	1/8" [3 mm]	
USC12-2-27WH	12" [305 mm]	12" [305 mm]	19-1/4" [489 mm]	22-9/16" [573 mm]	–	1/8" [3 mm]	
USC15-2-35WH	15" [381 mm]	15" [381 mm]	19-3/16" [487 mm]	22-5/8" [575 mm]	–	1/8" [3 mm]	
USC15-2-35PT	15" [381 mm]	15" [381 mm]	19-3/16" [487 mm]	22-5/8" [575 mm]	–	1/8" [3 mm]	
USC18-2-50WH	16" [406 mm]	15-5/8" [397 mm]	23-5/16" [592 mm]	22-5/8" [575 mm]	–	1/8" [3 mm]	
USC18-2-50PT	16" [406 mm]	15-5/8" [397 mm]	23-5/16" [592 mm]	22-5/8" [575 mm]	–	1/8" [3 mm]	
<b>Door-Mount (Top-mount)</b>							
PDMTM15-2-35WH	15" [381 mm]	15" [381 mm]	18" [457 mm]	22-1/2" [572 mm]	–	1/8" [3 mm]	
PDMTM175-2-35WH	17-1/2" [445 mm]	17-1/2" [445 mm]	18" [457 mm]	22-1/2" [572 mm]	–	1/8" [3 mm]	
PDMTM18-2-35WH	18" [457 mm]	18" [457 mm]	18" [457 mm]	22-1/2" [572 mm]	–	1/8" [3 mm]	
PDMTM21-2-35WH	21" [533 mm]	21" [533 mm]	18" [457 mm]	22-1/2" [572 mm]	–	1/8" [3 mm]	
TSC15-2-35WH	15" [381 mm]	15" [381 mm]	18" [457 mm]	23-3/8" [594 mm]	–	1/8" [3 mm]	
TSC15-2-35PT	15" [381 mm]	15" [381 mm]	18" [457 mm]	23-3/8" [594 mm]	–	1/8" [3 mm]	
TSC18-2-35WH	17-1/2" [445 mm]	17-1/2" [445 mm]	18" [457 mm]	23-3/8" [594 mm]	–	1/8" [3 mm]	
TSC18-2-35PT	17-1/2" [445 mm]	17-1/2" [445 mm]	18" [457 mm]	23-3/8" [594 mm]	–	1/8" [3 mm]	
<b>TRIPLE BIN UNITS - Non-Door-Mount</b>							
SCB15-3-20PT	15" [381 mm]	15" [381 mm]	17-13/16" [452 mm]	23-3/8" [594 mm]	1/4" [6 mm]	1/8" [3 mm]	
SCB15-3-20WH	15" [381 mm]	15" [381 mm]	17-13/16" [452 mm]	23-3/8" [594 mm]	1/4" [6 mm]	1/8" [3 mm]	
SBM15-3-20WH	15" [381 mm]	15" [381 mm]	17-13/16" [452 mm]	23-3/8" [594 mm]	1/4" [6 mm]	1/8" [3 mm]	
<b>FOUR BIN UNITS - Non-Door-Mount</b>							
SCB24-4-27-PT	24" [610 mm]	24" [610 mm]	19-1/2" [495 mm]	22-5/8" [575 mm]	–	1/8" [3 mm]	
SCB24-4-27WH	24" [610 mm]	24" [610 mm]	19-1/2" [495 mm]	22-5/8" [594 mm]	1/4" [6 mm]	1/8" [3 mm]	
SBM24-4-27WH	24" [610 mm]	24" [610 mm]	19-1/2" [495 mm]	23-3/8" [594 mm]	1/4" [6 mm]	1/2" [13 mm]	

## Example of Frameless / Euro-Style Cabinet Application

\* If using lid, add 3/4".

