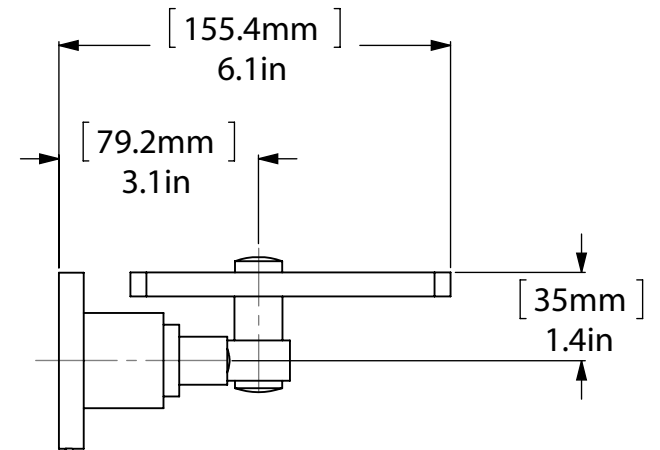
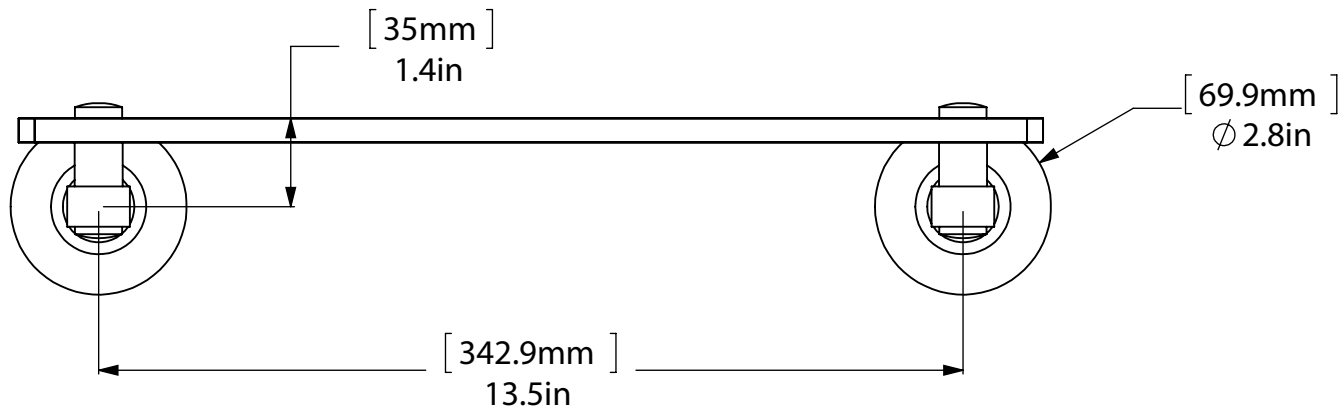
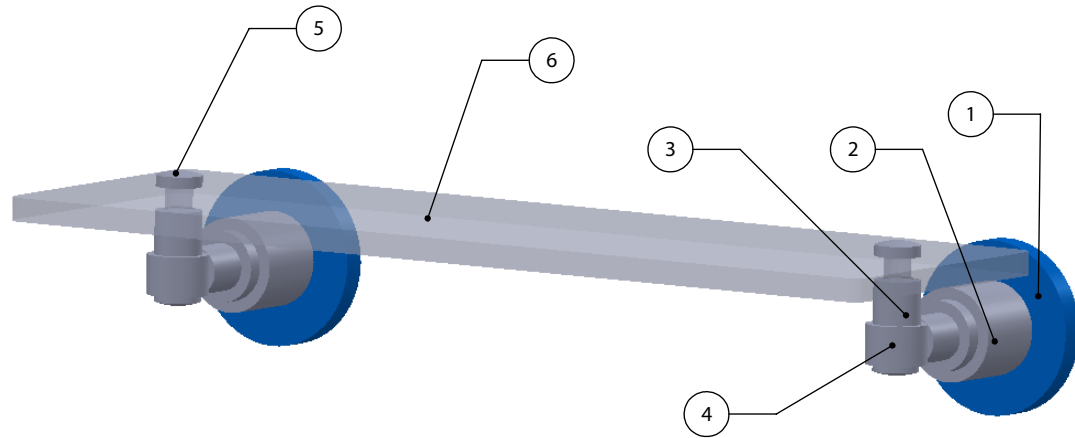


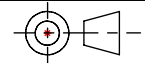
ITEM NO.	PART NUMBER	DESCRIPTION	QTY.
1	BPRD	Base	2
2	WASP	NECK	2
3	TU34-0.75	TUBE	4
4	HB1T-1	Hub	2
5	CARD-34	END CAP	4
6	GLRT-16	GLASS	2



UNLESS OTHERWISE STATED

.X	±.3mm
.XX	±.15mm
.XXX	±.008mm

COPYRIGHT © Allied Brass 2016



THIRD ANGLE PROJECTION

DRAWN	1-17-17	I.M
CHECKED	1-17-17	P.D
APPROVED	1-17-17	R.A

MATERIAL: BRASS

DESCRIPTION:

SHELF



FINISH: TBD

QUANTITY: TBD

DRAWING No.

WS-1/16

REV

0

SCALE: 1:4 SHEET: 01 A4