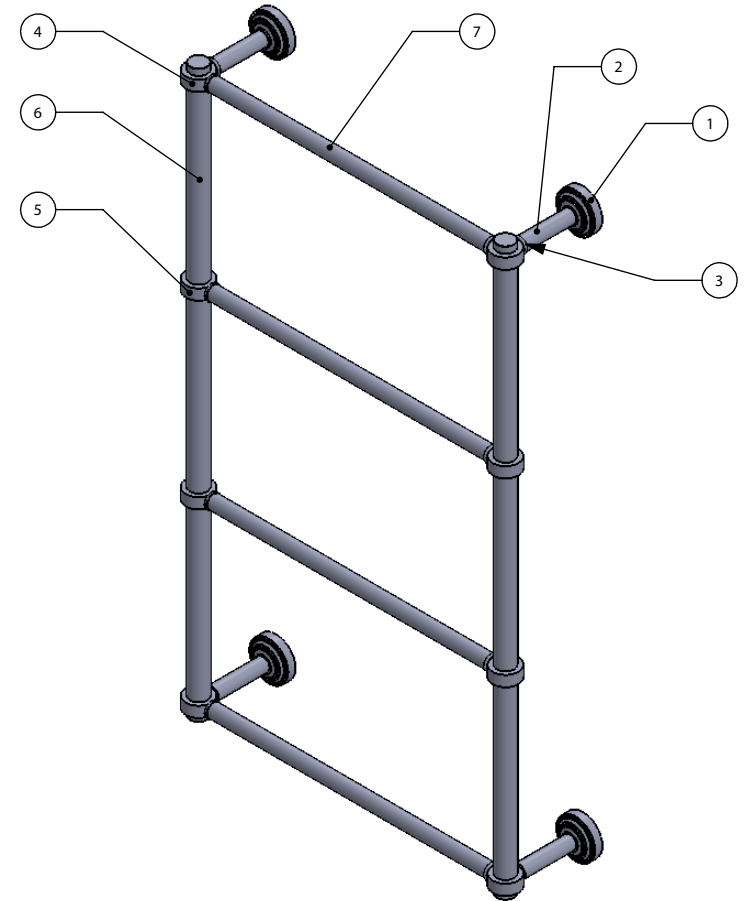
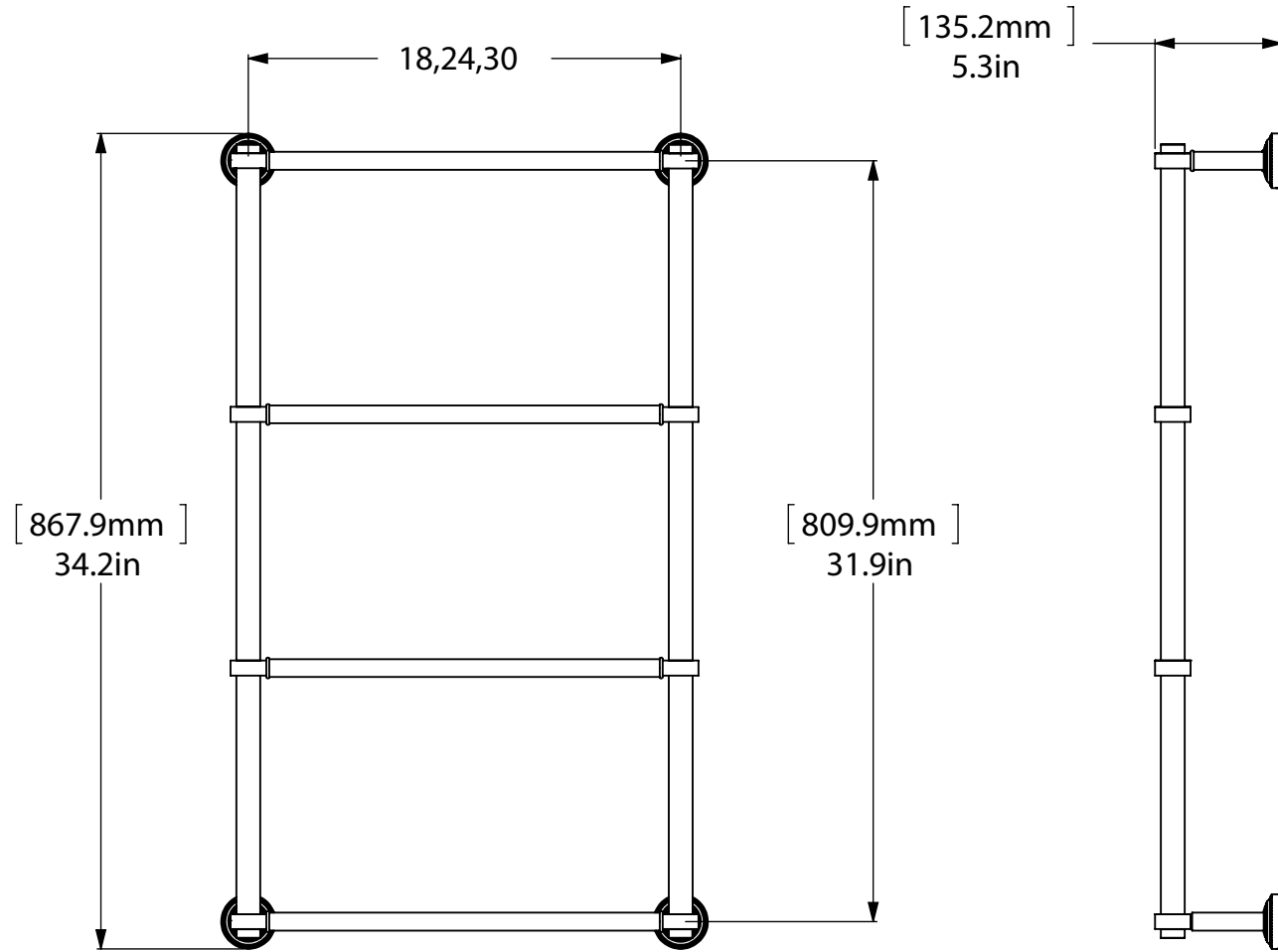



ITEM NO.	P/N	Description	QTY.
1	BPDT	BACKPLATE	4
2	TU34-3	POST	4
3	CRRD-34	CHECK RING	20
4	RGSM D	HUB	4
5	RGSM T	HUB	4
6	TU1-10	TUBE	6
7	TU34-18,24,30	BAR	4



UNLESS OTHERWISE STATED	
.X	±.3mm
.XX	±.15mm
.XXX	±.008mm

COPYRIGHT © Allied Brass 2017



DRAWN	8-18-17	I.M	MATERIAL:	BRASS	FINISH	TBD
CHECKED	8-18-17	P.D	DESCRIPTION:		QUANTITY	TBD
APPROVED	8-18-17	R.A	Dottingham Collection 4 Tier Ladder Towel Bar		DRAWING No.	REV
					DT-28	0
				SCALE	1:8	SHEET: 01 A4