

# OWNER'S MANUAL



**AKORN®**

**Model #E56520**

**Keep your receipt with  
this manual for Warranty.**

**CUSTOMER SERVICE  
1-912-638-4724  
Service@CharGriller.com**

Contents of this manual are Trademarked and Copyrighted by Char-Griller | A&J Manufacturing.  
Using the information contained in this manual without consent of Char-Griller and/or A&J  
Manufacturing is strictly prohibited.

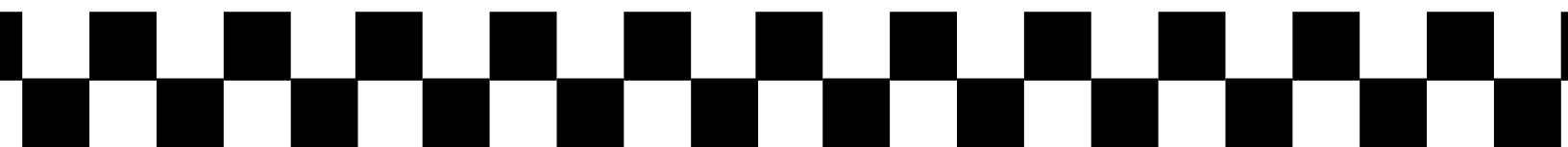


# TABLE OF CONTENTS

Safety Warnings & Warranty.....	A-1
Assembly Instructions .....	B-1
Product Usage .....	C-1
Recipes .....	D-1
Accessories .....	E-1



**This Page Intentionally  
Left Blank**



# IMPORTANT SAFETY WARNINGS

READ ALL SAFETY WARNINGS AND INSTRUCTIONS CAREFULLY BEFORE ASSEMBLING AND OPERATING YOUR GRILL

Read the following instructions carefully and be sure your appliance is properly assembled, installed, and maintained. Failure to follow these instructions may result in serious bodily injury and/or property damage. If you have any questions concerning assembly or operation, call 912-638-4724.

- Use caution when assembling and operating your grill to avoid scrapes or cuts from sharp edges.
- Do not use gasoline, kerosene or alcohol for lighting charcoal. Use of any of these or similar products could cause an explosion possibly leading to severe bodily injury.
- Do not use lighter fluid on already lit coals.
- Keep children & pets away from grill. Supervision is necessary and do not leave grill unattended when in use.
- Use caution when moving grill to prevent strains.
- Keep grill at least 15 feet from any combustible material (decks, buildings, fences, trees, bushes, etc).
- When adding charcoal and/or wood, use extreme caution.
- Never move grill when it is in use or when it contains hot coals or ashes, keep the grill in a level position at all times while in use.
- ALWAYS latch lid when lid is in closed position.
- Do not place grill near flammable liquids, gases or where flammable vapors may be present.
- When opening grill, first open slightly to let a small amount of air in for a few seconds. This prevents large amounts of oxygen from getting to suffocated coals which may cause dangerous flash back.
- Use caution since flames can flare-up when fresh air suddenly comes in contact with fire. When opening the lid, keep hands, face and body safe from hot steam and flame flare-ups.
- Removing excess fat before cooking will help prevent flare-ups.
- Keep your grill clean to help prevent flare-ups.
- Always put charcoal on top of the fire grate and not directly into the bottom of the grill.

**WARNING:** FUELS USED IN WOOD OR CHARCOAL BURNING APPLIANCES, AND THE PRODUCTS OF COMBUSTION OF SUCH FUELS, CAN EXPOSE YOU TO CHEMICALS INCLUDING CARBON BLACK, WHICH IS KNOWN TO THE STATE OF CALIFORNIA TO CAUSE CANCER, AND CARBON MONOXIDE, WHICH IS KNOWN TO THE STATE OF CALIFORNIA TO CAUSE BIRTH DEFECTS OR OTHER REPRODUCTIVE HARM. *For more information go to:*  
[www.P65Warnings.ca.gov](http://www.P65Warnings.ca.gov).



**ADVERTENCIA:** LOS COMBUSTIBLES USADOS EN EQUIPOS PARA QUEMAR MADERA O CARBÓN, ASÍ COMO LOS PRODUCTOS DE TAL COMBUSTIÓN, PUEDEN EXPONERTE A SUSTANCIAS QUÍMICAS, ENTRE ELLAS EL NEGRO DE HUMO Y EL MONÓXIDO DE CARBONO, QUE EL ESTADO DE CALIFORNIA RECONOCE COMO CAUSA, RESPECTIVAMENTE, DE CÁNCER Y DE MALFORMACIONES CONGÉNITAS Y OTROS DAÑOS AL SISTEMA REPRODUCTOR.  
*Para más información, visite [www.P65Warnings.ca.gov](http://www.P65Warnings.ca.gov)*



# **IMPORTANT SAFETY WARNINGS**

## **(Continued)**

- Do not exceed a temperature of 700° F.
- Do not allow charcoal and/or wood to rest on the walls of grill. Doing so will greatly reduce the life of the grill
- Always wear oven mitts to protect hands from burns, especially when adjusting dampers. Avoid touching hot surfaces.
- When opening lid, make sure it is pushed all the way back so it rests against the lid support bracket. Use extreme caution as hood could fall back to a closed position and cause bodily injury.
- Close lid and all dampers to help suffocate flame.
- Always hold an open lid from the handle to prevent it from closing unexpectedly.
- Never leave coals and ashes unattended. Before grill can be left unattended, coals and ashes must be removed. Use caution to protect yourself and property.
- Carefully place remaining coals and ashes in a noncombustible metal container and saturate completely with water. Allow coals and water to remain in metal container 24 hours prior to disposing.
- To protect against bacteria that could cause illness, keep all meats refrigerated and thaw in refrigerator or microwave. Keep raw meats separate from other foods, and wash everything that comes in contact with raw meat.
- Cook meat thoroughly, and refrigerate leftovers immediately.
- Use a calibrated food thermometer and the USDA guidelines to ensure that meat, poultry, seafood, and other cooked foods reach a safe minimum internal temperature.
- Grill is for use outdoors and in well-ventilated areas, only.
- Always have a fire extinguisher near at all times. Maintain and check your fire extinguisher regularly.

# STOP! CALL FIRST!

## Do NOT Return Product to Store.

This grill has been made according to the highest of quality standards. If you have any questions that are not addressed in this manual or if you need parts please call our Customer Service Department at 1-912-638-4724 (USA) or email Char-Griller at: Service@CharGriller.com and have your serial number handy.

### Document Your Grill Model and Serial Numbers HERE:

(Model and Serial number are located on the back of the grill body or on the leg.)

\_\_\_\_\_

(MODEL #)

\_\_\_\_\_

(SERIAL #)



(example)

Model# 2727 Date ZDD  
S/N: C2727005471 A

## **REGISTER YOUR GRILL:**

To take full advantage of the Char-Griller warranty be sure to register your grill by visiting [www.CharGriller.com/Register](http://www.CharGriller.com/Register) or calling Customer Service at 1-912-638-4724.

Registration provides important protections:

1. In the extremely unlikely event of a product recall Char-Griller can easily contact you and rectify the issue.
2. If a warranted part is broken or missing we can send you the needed parts promptly.

*NOTE:* You will need your model #, serial number, and a copy of the original sales receipt when registering.



# WARRANTY INFORMATION

**A COPY OF THE DATED PROOF OF PURCHASE (RECEIPT) IS REQUIRED WHEN REGISTERING OR SUBMITTING A WARRANTY\* CLAIM. PLEASE RETAIN A COPY OF THE RECEIPT FOR YOUR RECORDS.**

Char-Griller will replace any defective part of its grillers/smokers, under warranty, as outlined below.

**PLEASE READ THIS INFORMATION IN DETAIL AND IF YOU HAVE ANY QUESTIONS CONTACT CUSTOMER SERVICE AT 912-638-4724 OR SERVICE@CHARGRILLER.COM.**

<b>Charcoal / Pellet / Kamado Grills</b>	
Grill - Hood AND Bottom (excludes removable Ash Pan)	5 years from date of purchase for rust through / burn through
Ash Pan AND Defective Parts	1 year from date of purchase
<b>Gas Grills</b>	
Grill Hood (TOP half) AND Main Burner Tubes (excludes Side Burner)	5 years from date of purchase for rust through / burn through
Grill Body (BOTTOM half) AND Side Burner AND Defective Parts	1 year from date of purchase
<b>Dual Fuel Grills (Gas &amp; Charcoal)</b>	
Charcoal Grill - Hood AND Bottom AND Gas Grill Hood (TOP half) AND Main Burner Tubes (excludes Ash Pan and Side Burner)	5 years from date of purchase for rust through / burn through
Ash Pan AND Defective Parts AND Gas Grill Body (BOTTOM half) AND Side Burner	1 year from date of purchase
<b>Parts, Accessories, and Grill Covers</b>	
	1 year from date of purchase (seam tears only for covers)

## **SURFACE RUST IS NOT CONSIDERED A MANUFACTURING OR MATERIALS DEFECT**

Char-Griller grills are made of steel and if exposed to the elements rust will occur naturally. Please refer to the section entitled, "Usage" to review how to care for your grill properly.

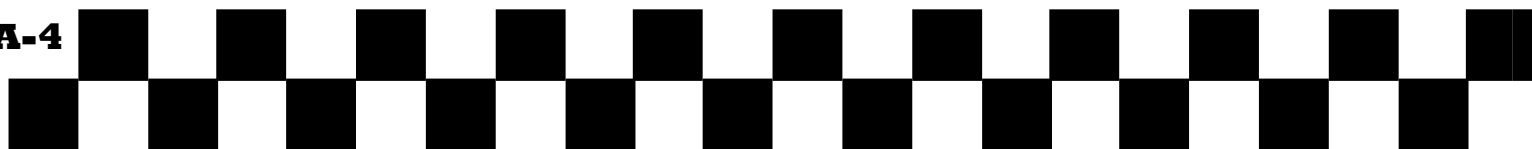
Surface issues such as scratches, dents, corrosion or discoloring by heat, abrasive and chemical clearers, surface rust or the discoloration of steel surfaces are NOT covered under these warranties.

Warranties are for the replacement of defective parts only. Char-Griller is not responsible for damage resulting from accident, alteration, misuse, abuse, hostile environments, improper installation, and installation not in accordance with local codes of service of unit.

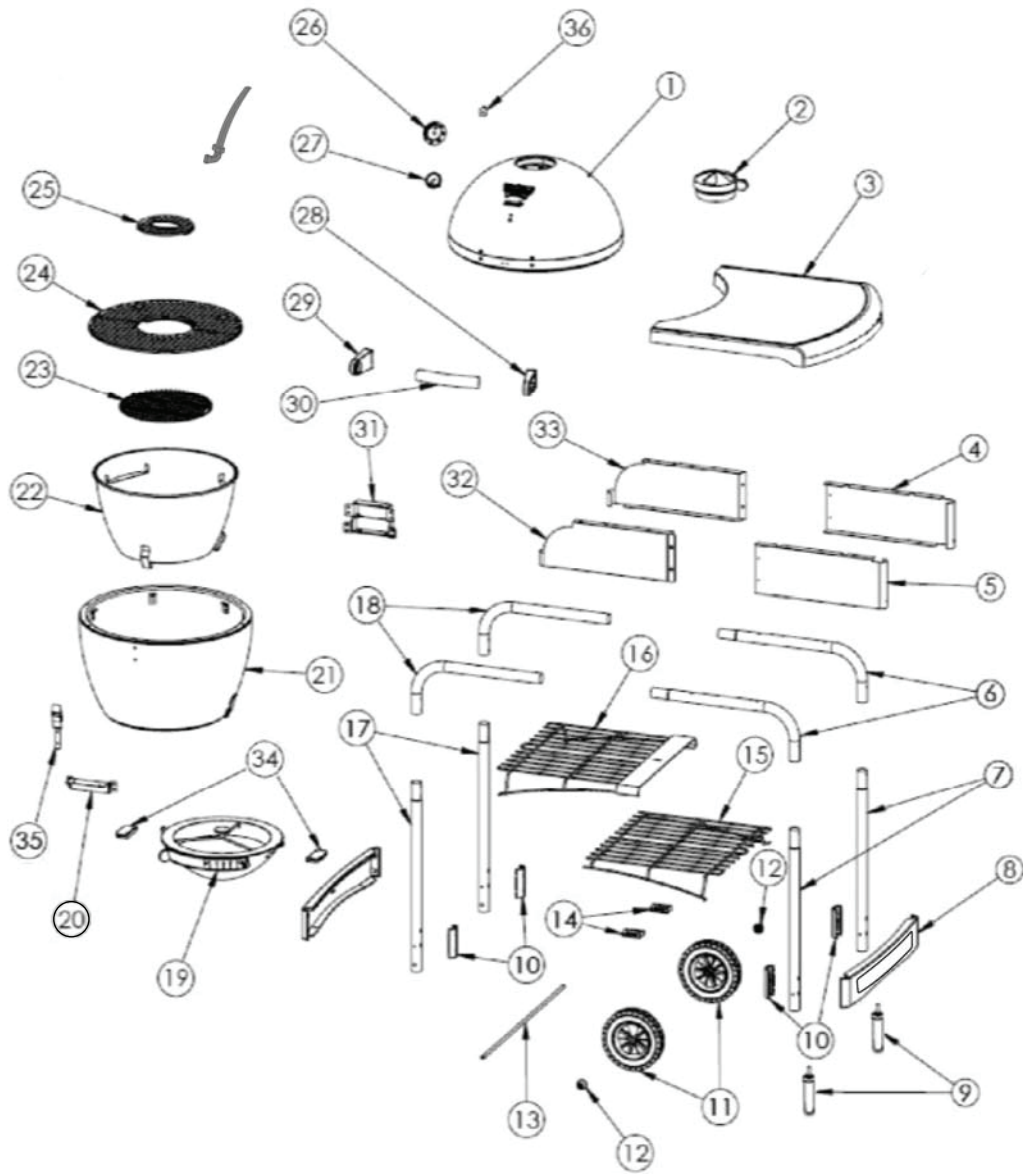
### **Excluded Under ALL Warranties**

Paint; Surface Rust; Heat Damage; Incorrect Parts ordered by customer, including shipping; Worn Parts; Missing or damaged parts not reported within two (2) months of purchase date; Defective parts not reported within one (1) year of purchase date; Fading grill cover.

\*NOTE: For warranty claims, photos and prepaid return of the item in question may be required. Misuse, abuse or commercial use nullifies all warranties.



# Parts List



Item	Description	QTY
1	Hood Assembly	1
2	Damper Assembly	1
3	Side Shelf	1
4	Right Back Panel	1
5	Right Front Panel	1
6	Right L-Shape Leg	2
7	Short Leg	2
8	Cart Side Frame	2
9	Leg Extender	2
10	Leg Brace	4
11	8" Wheel, Plastic with Rubber Tire	2
12	Axel Cap	2
13	Axel Rod	1
14	Bottom Shelf Secure Bracket	2
15	Bottom Shelf, Right Half	1
16	Bottom Shelf, Left Half	1
17	Long Leg	2
18	Left L-Shape Leg	2
19	Ash Pan Assembly	1

Item	Description	QTY
20	Fire Bowl Front Support Bracket	1
21	Fire Bowl Assembly	1
22	Fire Bowl, 3 Handle, Porcelain	1
23	Charcoal Grate	1
24	Outer Cooking Grate	1
25	Inner Cooking Grate	1
26	Thermometer Bezel	1
27	Thermometer	1
28	Handle End Cap, Right	1
29	Handle End Cap, Left	1
30	Handle, Center	1
31	Hinge Assembly	1
32	Left Front Panel	1
33	Left Back Panel	1
34	Ash Pan Handle	2
35	Latch Kit	1
36	Thermometer Gasket	1
37	Grate Lifter	1



**WARNING:**

DO NOT OPERATE ABOVE 700° F / 371°C

**CAUTION: Do not attempt to move grill unless the lid is latched, failing to do so may lead to damage or injury.****NOTICE: Read all operating and assembly instructions before attempting to use your grill.****NOTICE: Always have a fire extinguisher near at all times. Maintain and check your fire extinguisher regularly.****No Returns on Used Grills****HARDWARE LIST AND TOOLS REQUIRED**

Hardware Pack: 551084

**(Tools Not Included)**

7/16" nut driver



Item Picture	Description	QTY
	Hex Bolt—1/4"-20 x 1/2"	24
	#6 Machine Screw	4
	Hex Bolt—1/4"-20 x 2"	8
	Hex Bolt—1/4"-20 x 1 3/4"	4
	Hex Bolt—1/4"-20 x 1 1/4"	4
	Axel Cap	2
	Hex Bolt with Blue Locking Compound—1/4"-20 x 3/4"	8
	Hex Nut—1/4"-20	12
	Cotter Pin	2
	Flat Washer	4
	Utensil Hook	3

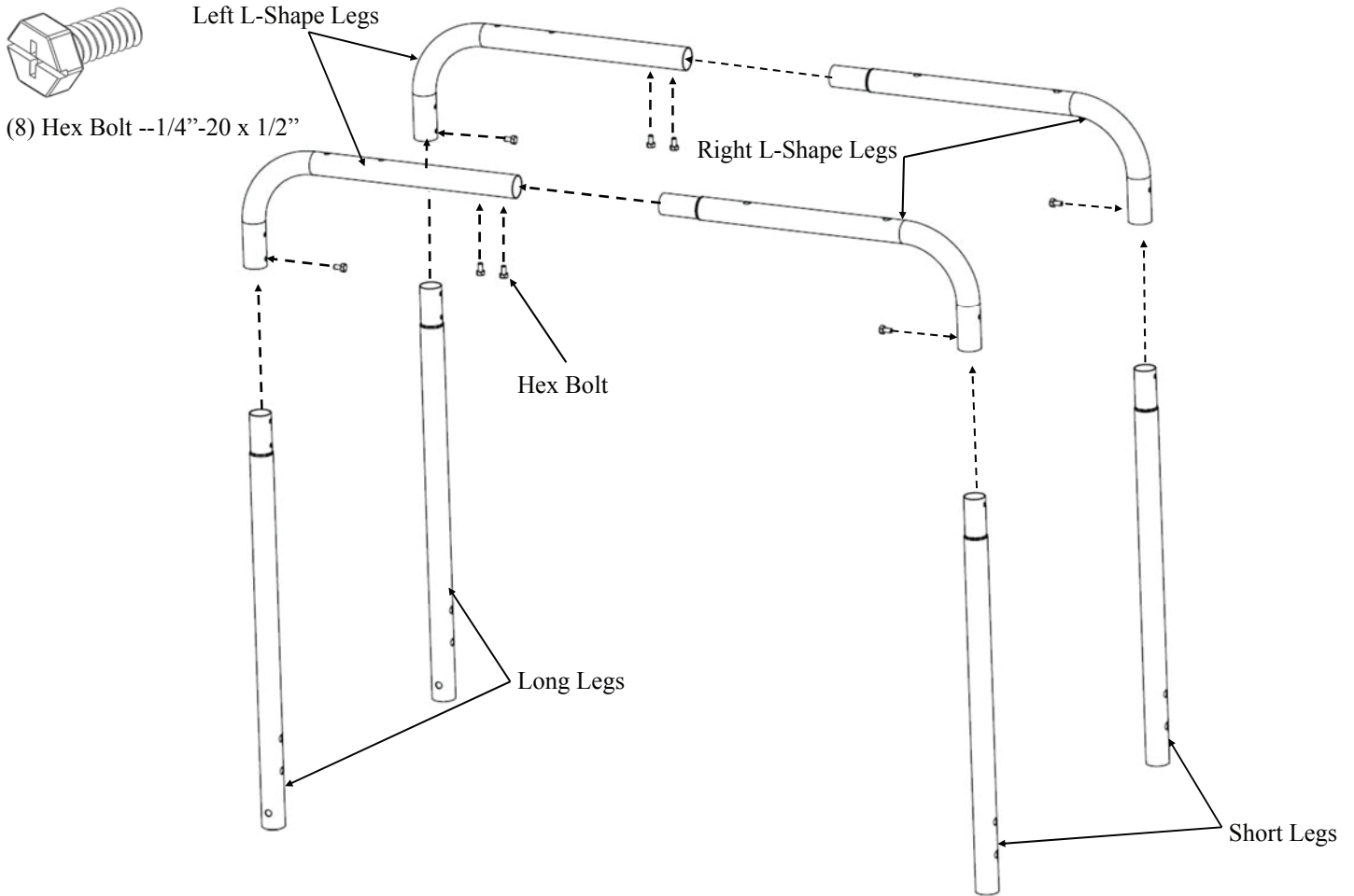
**STOP!CALL****FIRST! DO NOT RETURN PRODUCT TO STORE.**

CALL (912) 638-4724. This product has been built to the highest quality standards.

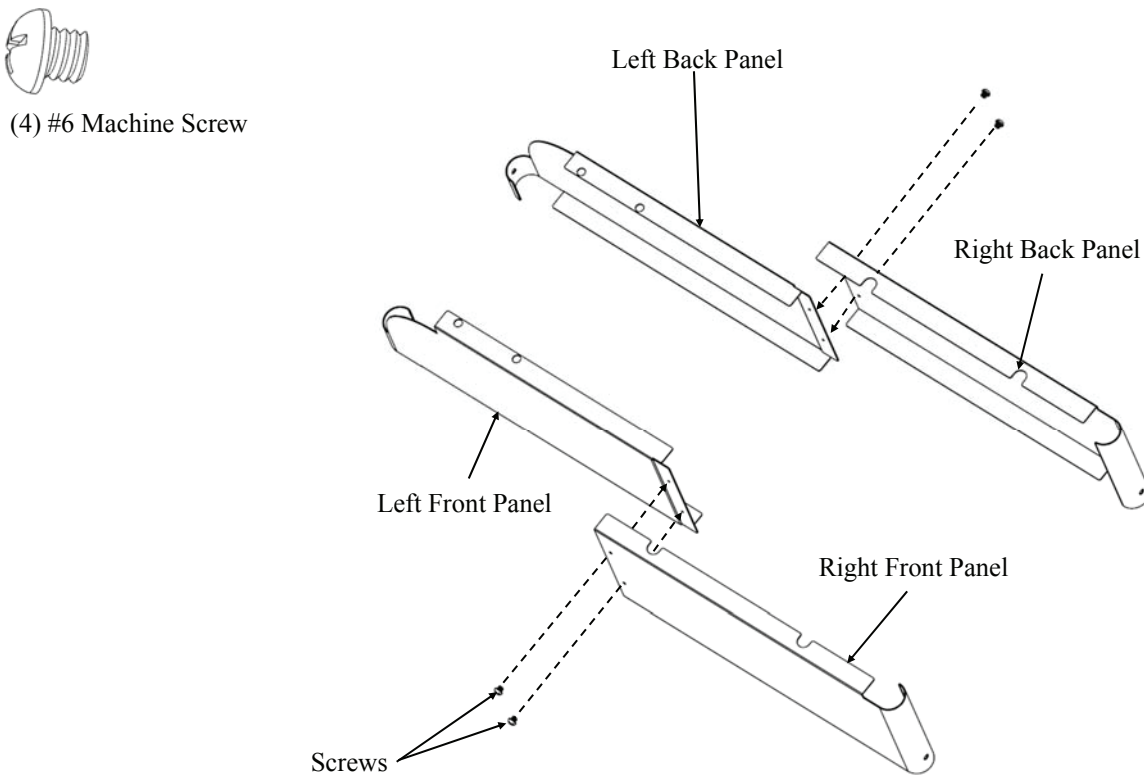
Call us should you have any questions not addressed in these instructions, or for service information

**Have your grill's serial number (located on the back of the grill body or on the leg) when calling.**

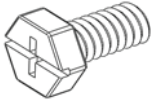
## Step 1: Assemble Legs



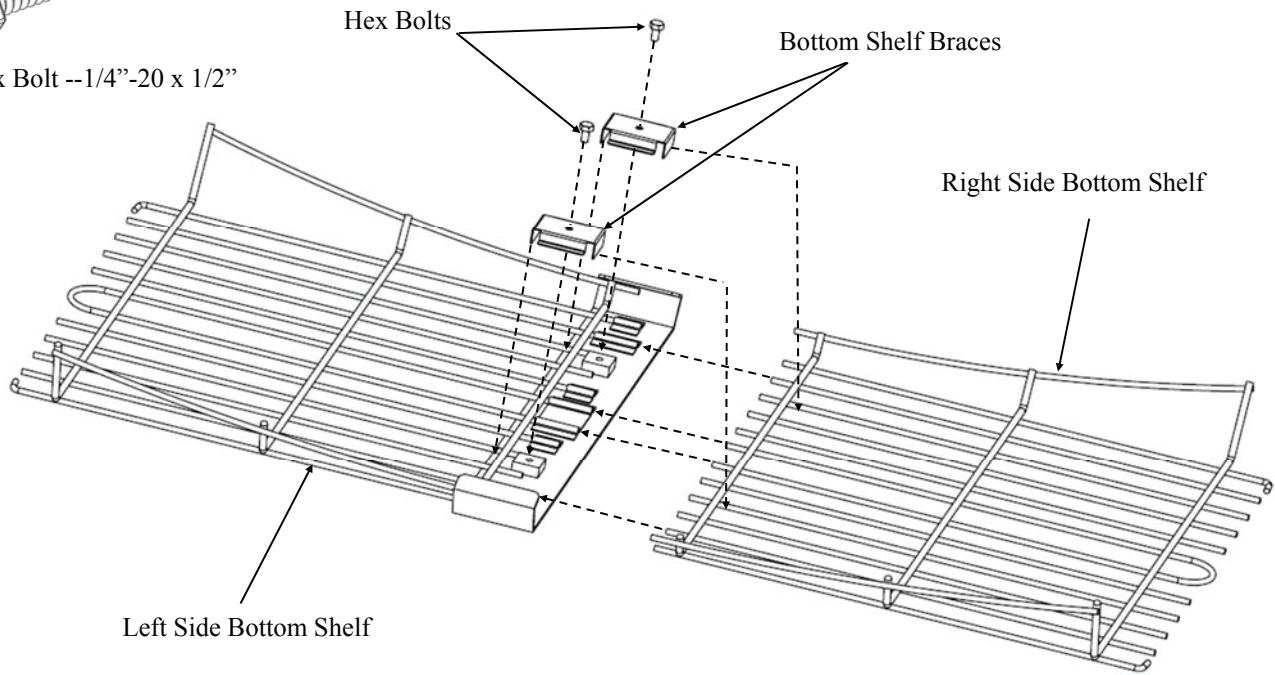
## Step 2: Assemble Front and Back Panels



### Step 3: Assemble Bottom Shelf



(2) Hex Bolt --1/4"-20 x 1/2"

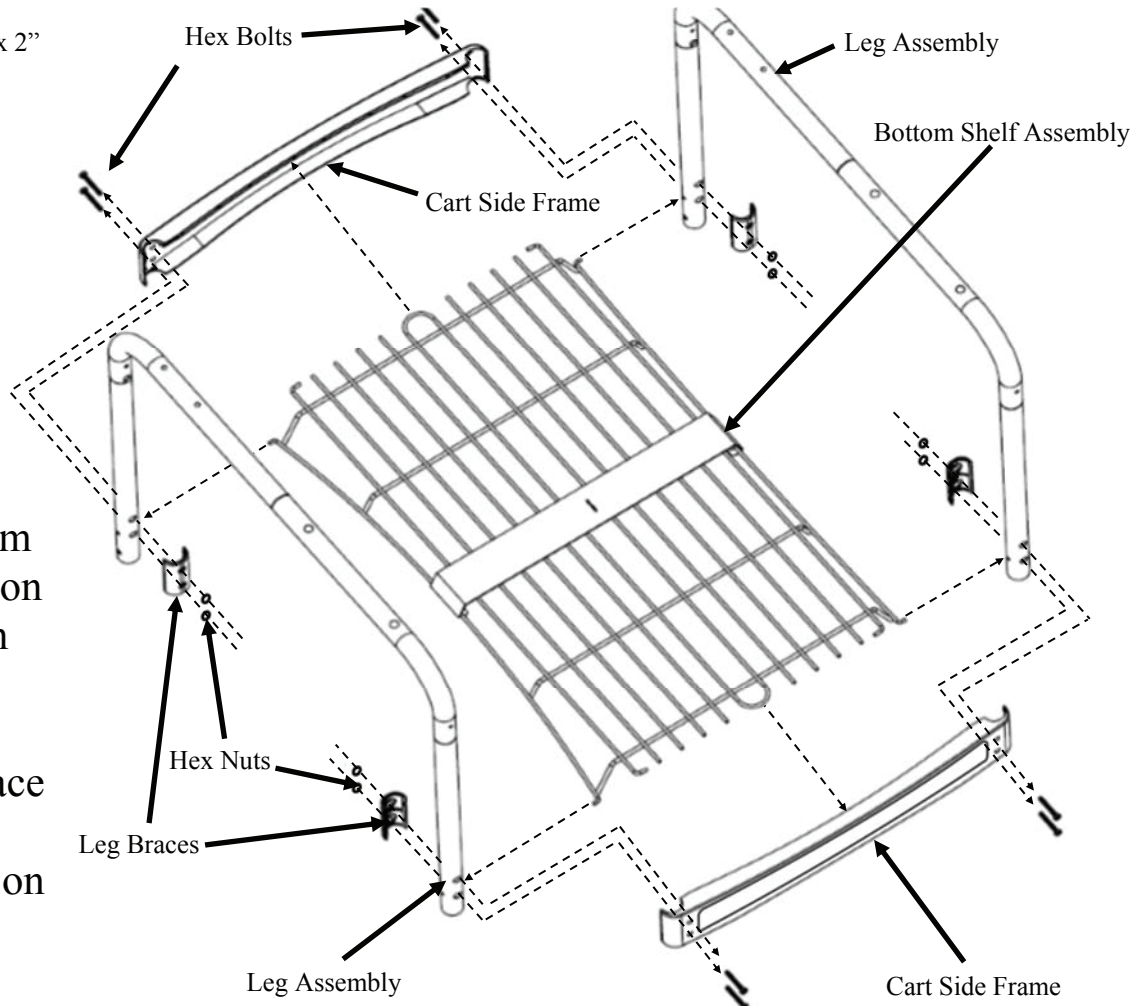


### Step 4: Attach Bottom Shelf to Leg Assembly

(8) Hex Bolt—1/4"-20 x 2"

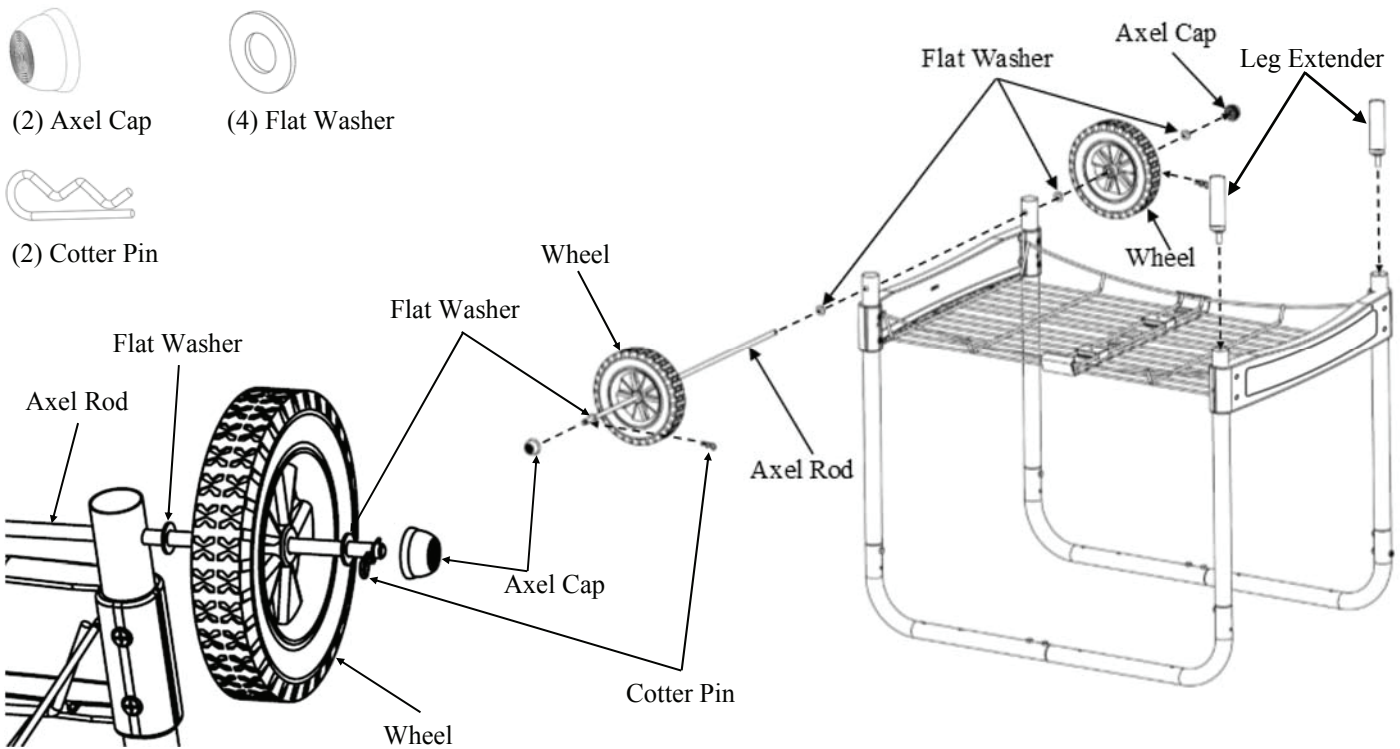


(8) Hex Nut—1/4"-20

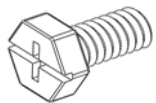


**NOTE:** Insert hook at each corner of bottom shelf into hole on each Leg. Then attach cart side frames and leg braces. Leg brace with two cut slots side goes on the inside.

### Step 5: Flip Cart Upside Down then install Wheels and Leg Extenders



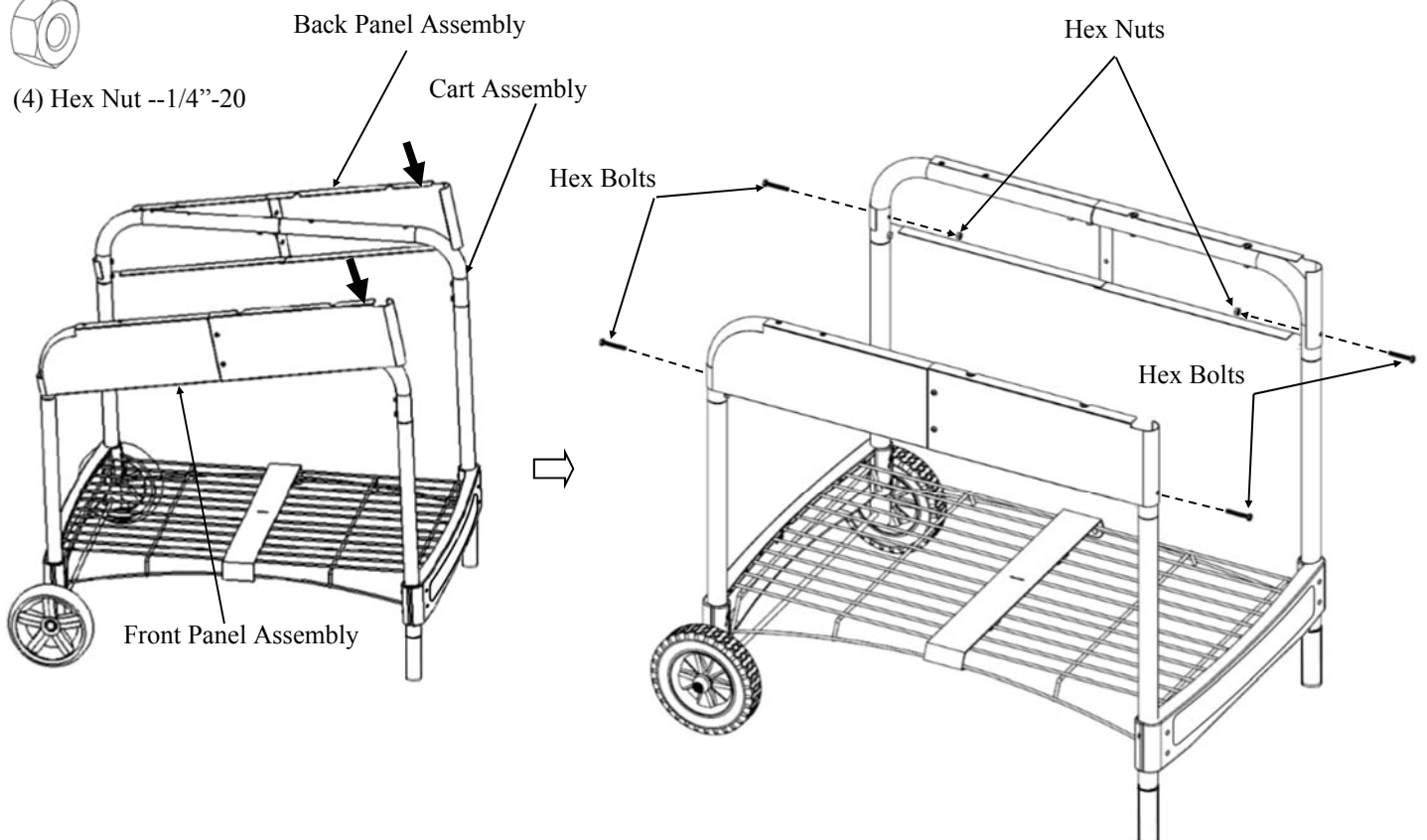
### Step 6: Turn Cart right side up then install Front and Back Panels



(4) Hex Bolt --1/4"-20 x 1 3/4"

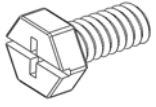


(4) Hex Nut --1/4"-20

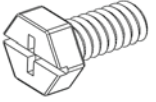




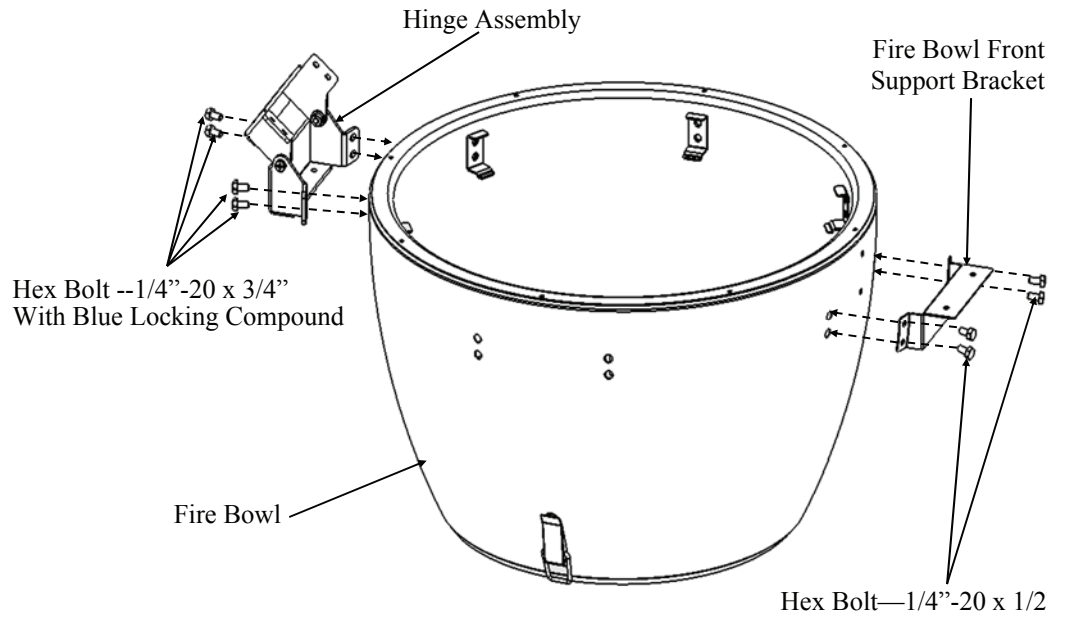
## Step 7: Install Hinge Assembly and Front Support Bracket to Fire Bowl



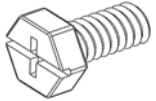
(4) Hex Bolt --1/4"-20 x 3/4"  
With Blue Locking Compound



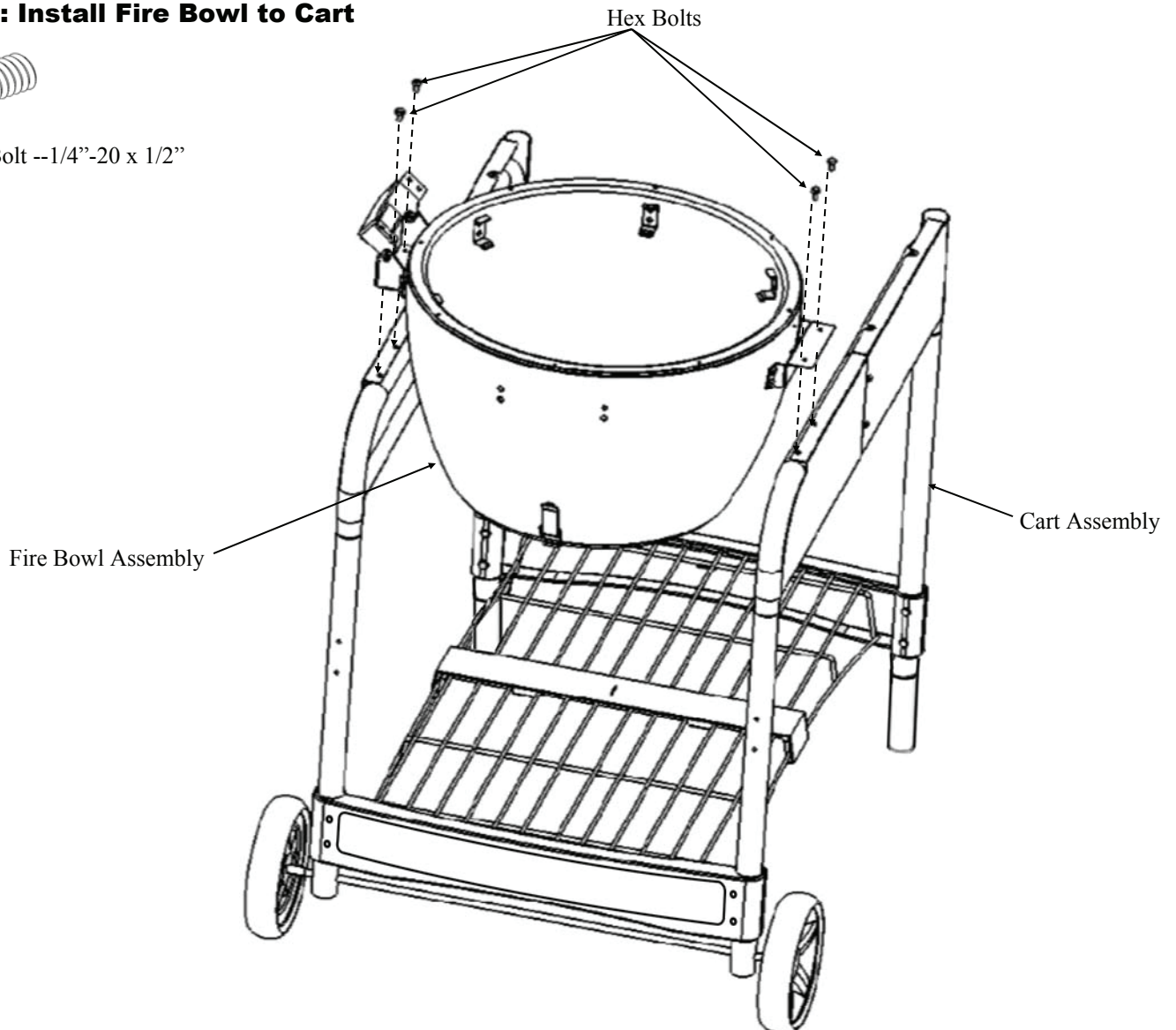
(4) Hex Bolt --1/4"-20 x 1/2"



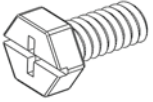
## Step 8: Install Fire Bowl to Cart



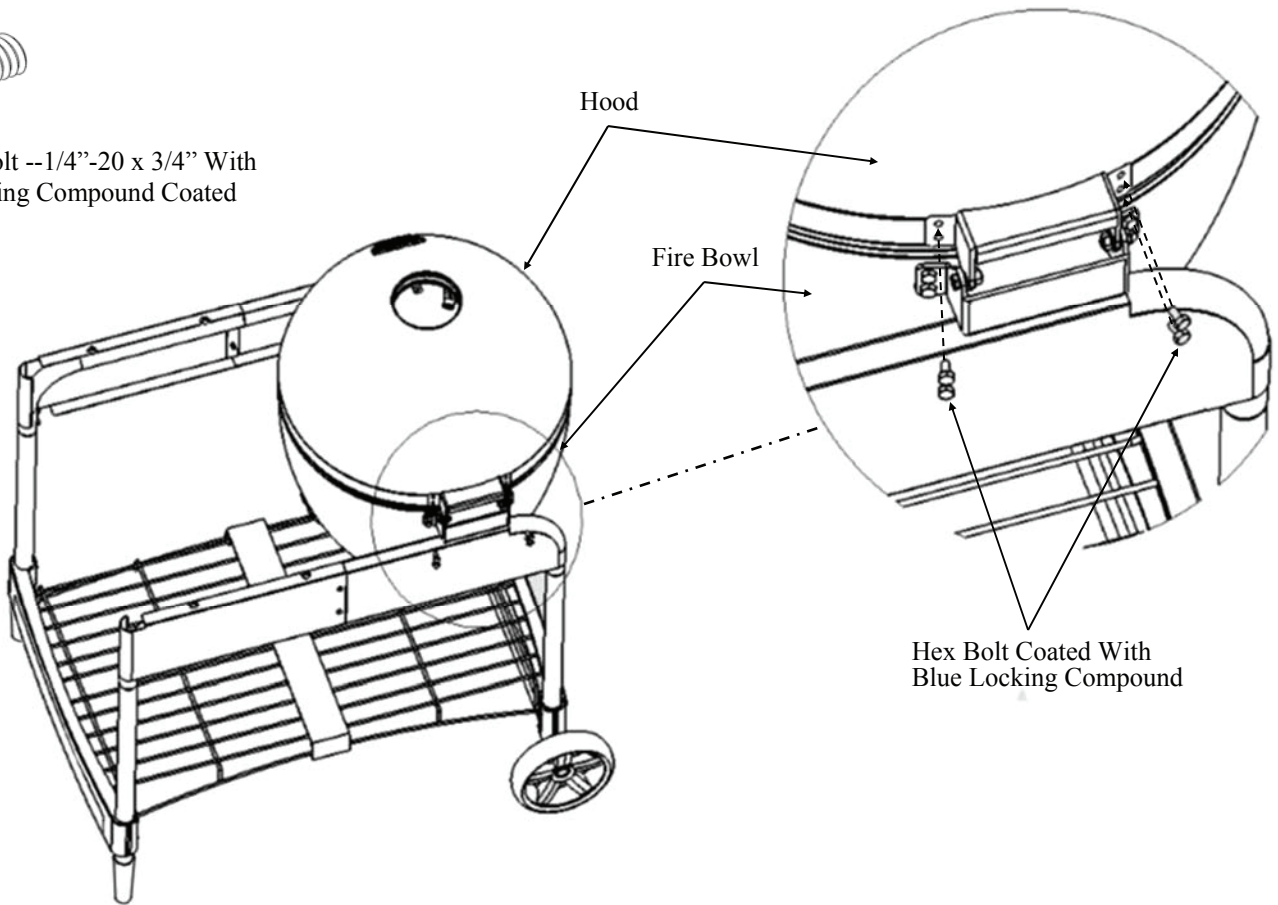
(4) Hex Bolt --1/4"-20 x 1/2"



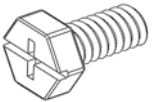
### Step 9: Install Hood to Fire Bowl



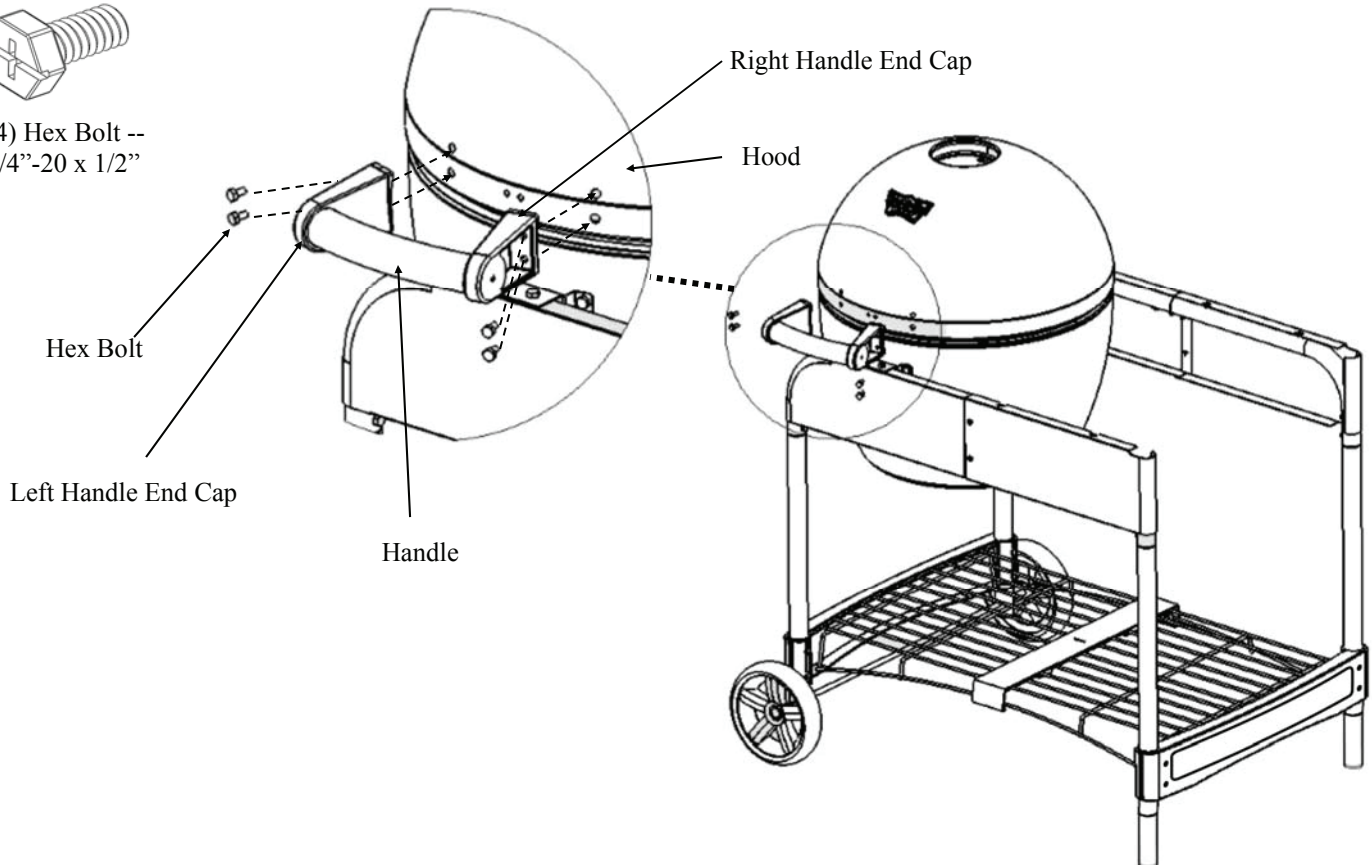
(4) Hex Bolt -- 1/4"-20 x 3/4" With Blue Locking Compound Coated



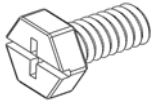
### Step 10: Install Handle to Hood



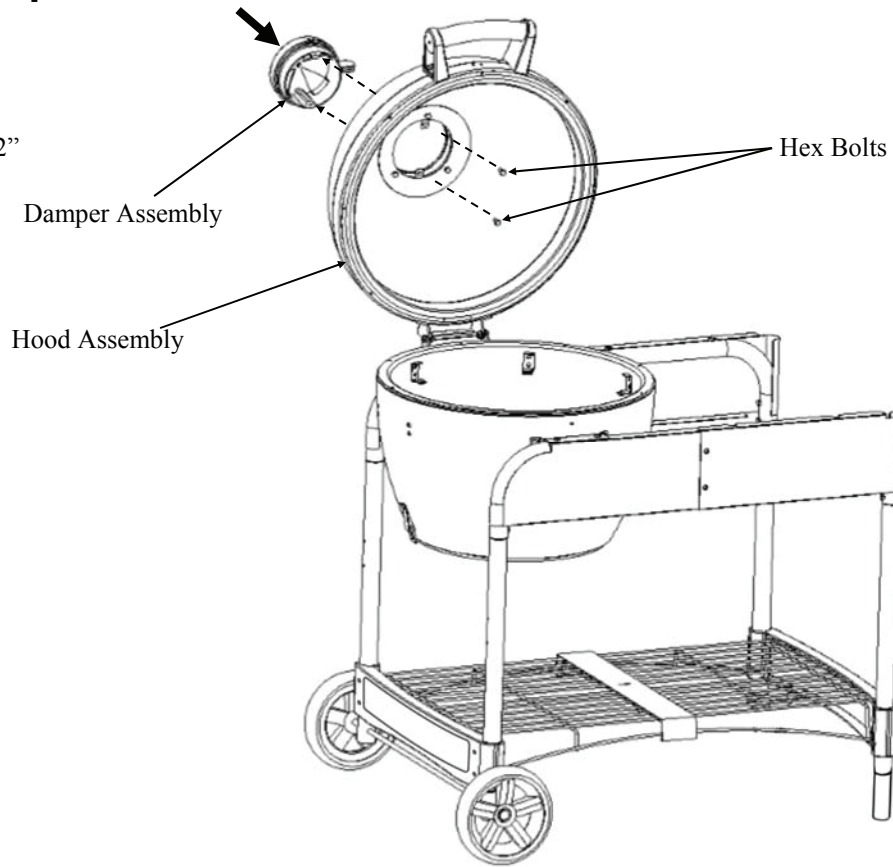
(4) Hex Bolt -- 1/4"-20 x 1/2"



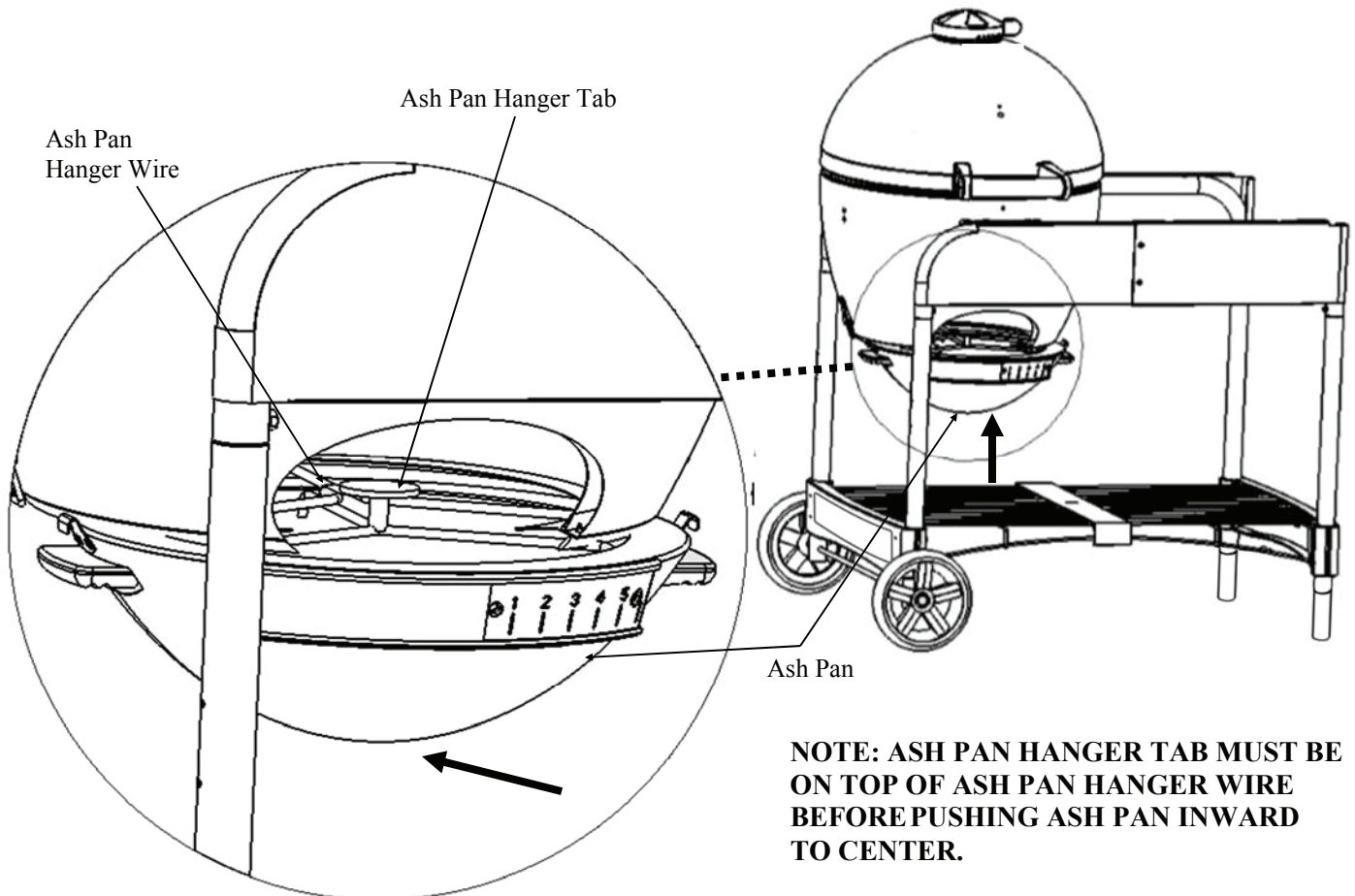
### Step 11: Install Damper to Hood



(2) Hex Bolt --1/4"-20 x 1/2"



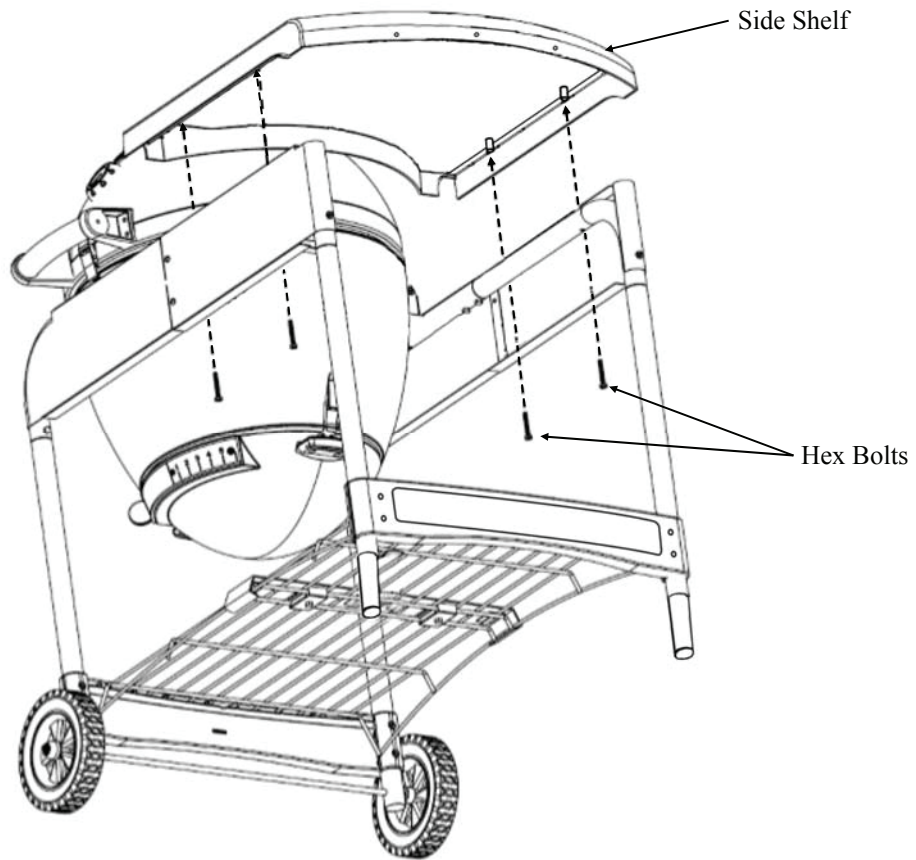
### Step 12: Install Ash Pan to Fire Bowl



**Step 13: Install Side Shelf to Cart**



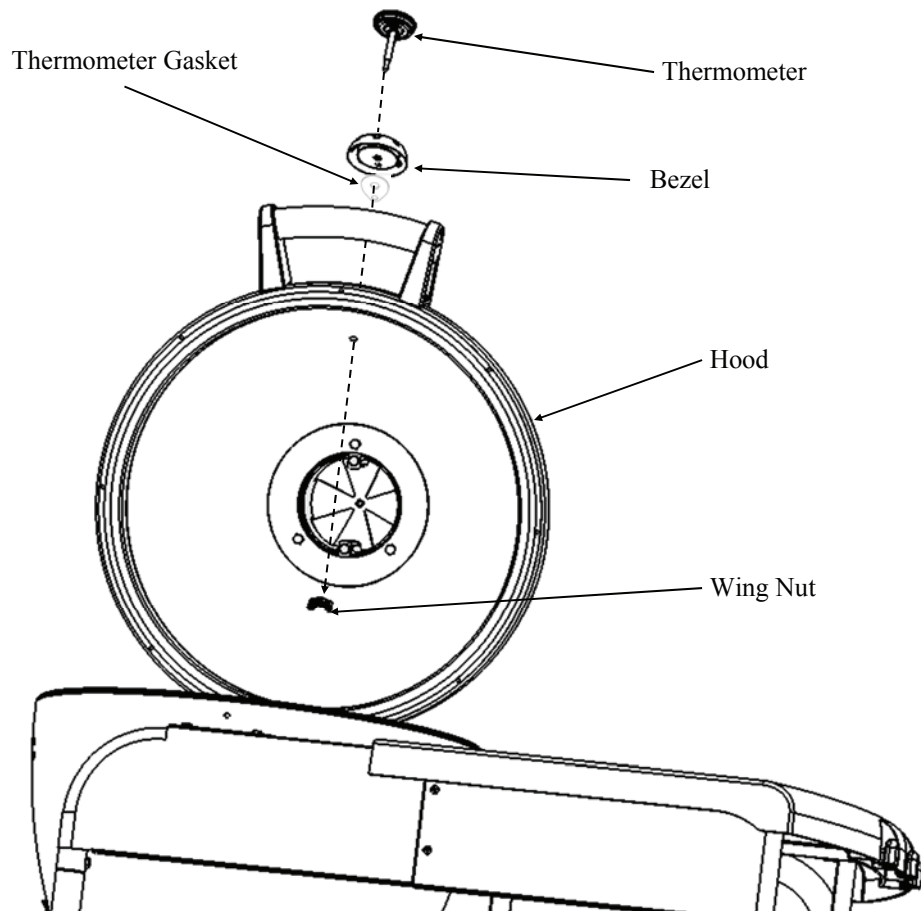
(4) Hex Bolt—1/4"-20 x 1 1/4"



**Step 14: Install Bezel, Thermometer, and Thermometer Gasket**

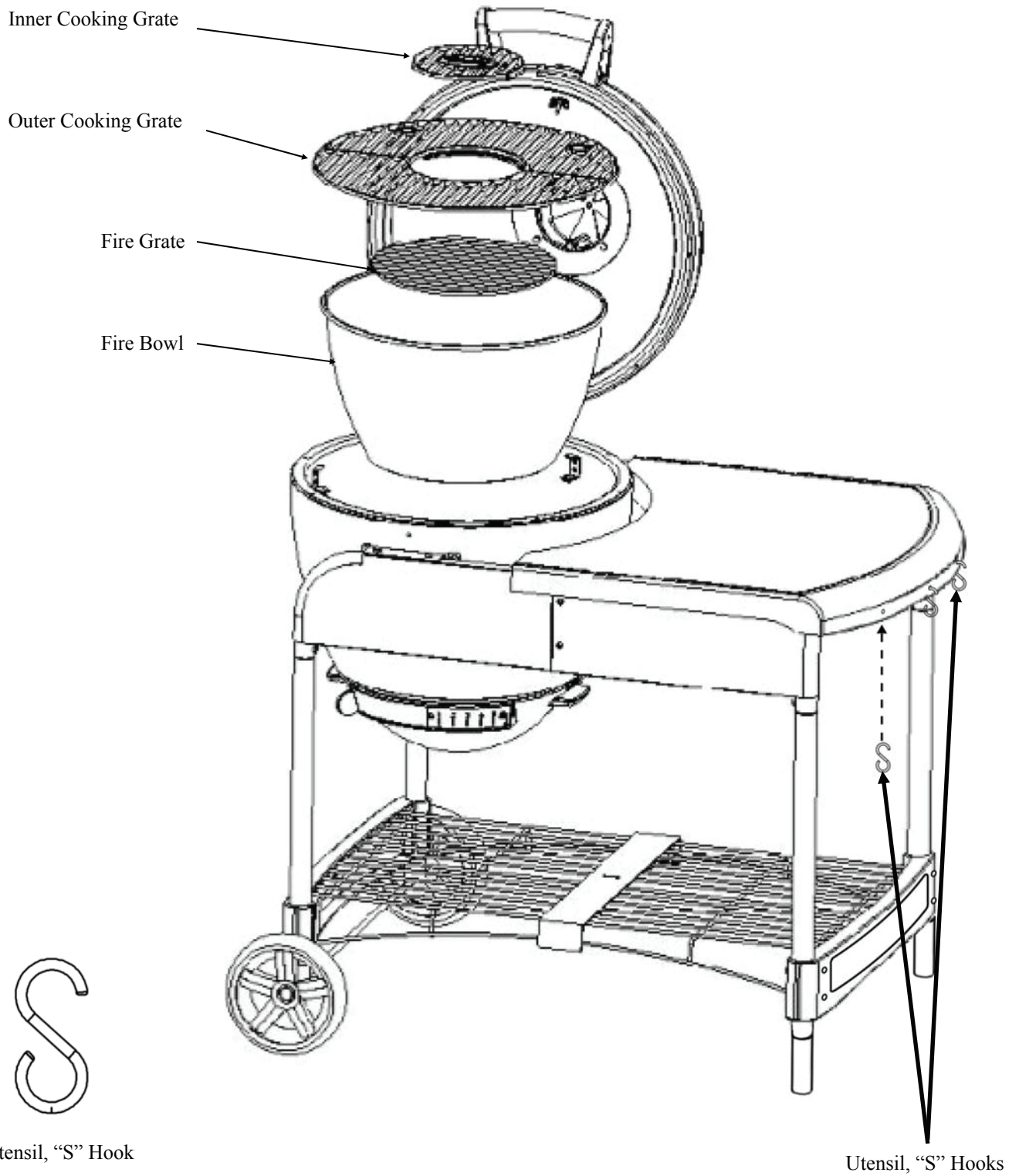


(1) Wing Nut





**Step 15: Install Fire Bowl, Fire Grate, Outer/Inner Cooking Grates, and Utensil Hooks**



# OPERATING INSTRUCTIONS

## Setting Up

Set grill up on solid, flat surface with adequate wind shelter. Do not move grill while hot, and do not leave unattended during operation.

This appliance is designed for use outdoors, away from any flammable materials. It is important that there are no overhead obstructions and that there is a minimum distance of 12 feet (366 cm) from the side or rear of the appliance. It is important that the ventilation openings of the appliance are not obstructed. The barbecue must be used on a level, stable surface. The appliance should be protected from direct drafts and positioned or protected against direct penetration by any trickling water (e.g. rain).

**\*\* PLEASE NOTE: NO RETURNS ON USED GRILLS \*\***

## Seasoning and Preparing the Grill

**IMPORTANT! BEFORE YOU USE YOUR GRILL FOR THE FIRST TIME  
YOU MUST SEASON THE CAST IRON COOKING GRATE.**

Before you use your grill it is important to season it. Seasoning will burn off coating used to protect your grill during shipping and help protect your cast iron grates from rusting while preparing them for use.

1. Wash your cooking grates in warm soapy water.
2. Rinse thoroughly and dry completely with a towel. **DO NOT AIR DRY. NEVER PUT YOUR COOKING GRATE OR ANY PART OF YOUR GRILL IN YOUR DISHWASHER.**
3. Once your cooking grate is dry apply a coating of vegetable oil or shortening to your cooking grate, be sure to coat both sides thoroughly.
4. Build a medium sized fire on the fire grate. Always put charcoal on top of the fire grate and not directly into the bottom of the grill. For best results, we recommend using Lump Charcoal.
5. After coals ash over, spread out coals, replace cooking grates, close lid and heat at approximately 400° F for an hour. This process will burn off any residue left from shipping and manufacturing as well as season your cast iron cooking grate.
6. Seasoning should be done periodically to lengthen the life of your cooking grate.

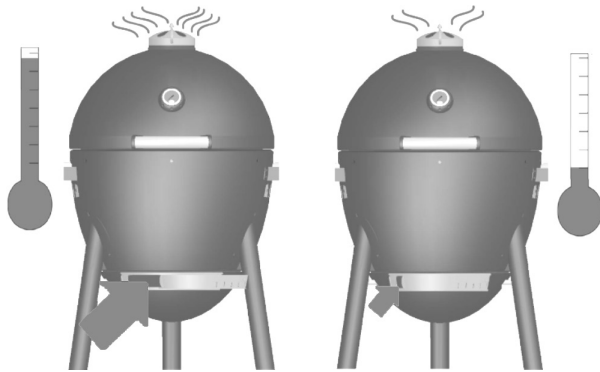
**TIP: Clean grates while warm using gloves and a baseball-sized aluminum foil ball.**



# Lighting Instructions

We recommend using Lump Charcoal because it contains no additives or fillers. This makes for more efficient burning, less ash and better tasting food than charcoal briquettes.

1. To start a charcoal fire, stack 3 lbs of Lump Charcoal (50-60 briquettes) into a pyramid in the center of the fire grate.
2. Light coals in several places. Fire starters are helpful during this step.  
**NOTE:** Do not use gasoline, kerosene or alcohol for lighting charcoal. Use of any of these or similar products could cause an explosion possibly leading to severe bodily injury.
3. Leave lid open until coals are ignited and smoke burns white with no flames.
4. After coals are lit but before they turn white, start regulating internal dome temp with dampers.  
(Or, if you wish, begin grilling.)



Temperature ( °F )	Type of Meat / Cooking	Top Damper	Bottom Damper
200-225	Smoking	●	▬
300	Chicken Tenders Grilling Burgers and Ribs	◐	▬
325	Poultry and Turkey Breast	◑	▬
350	Roast Beef and Pork	●	▬
450+	Searing Steaks	○	▬

● CLOSED    ○ OPEN

## MORE AIR FLOW MEANS MORE HEAT.

Refer to the chart above to help control the temperature in your AKORN grill.

**NOTE:** Do not let temperature go higher than desired temp because it is harder to bring temperature down than to go up.

ALWAYS FOLLOW CHARCOAL AND LIGHTER FLUID MANUFACTURERS' INSTRUCTIONS AND WARNINGS. USE OUTDOORS ONLY ON NONCOMBUSTIBLE SURFACE – 12' AWAY FROM WOOD AND COMBUSTIBLE MATERIAL.

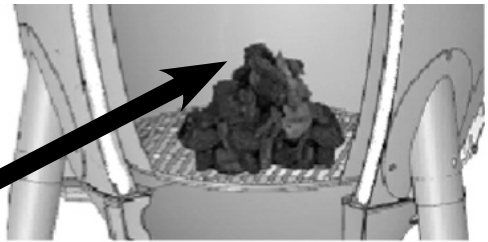
# Grill Operation & Tips

- Control heat with amount and type of fuel, dual dampers, and (optional) adjustable fire grate. Wood burns hotter than coals and more airflow equals more heat.
- Add water soaked hardwood chips for a smoked flavor.
- Ashes left in bottom too long hold moisture and will rust through any thickness of steel. This grill is made of steel and cast iron, which WILL RUST, ESPECIALLY IF NOT PROPERLY CARED FOR.
- Do not use self-starting charcoal as it will give unnatural flavor. Burn lighter fluid completely before closing lid.
- After each use, coat vegetable oil on the interior grates to reduce rust.



## **For LOW, SLOW and LONG grilling & Smoking (200° to 350° F)**

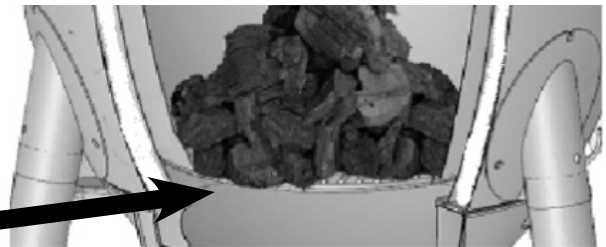
Use approx one pound of computer mouse size or larger size pieces of LUMP CHARCOAL to build fire in center of fire grate. Start fire as described above. When coals ignite, CLOSE LID and begin to regulate temp with dampers to desired setting.



**Light charcoal pile on TOP  
for low fire temperature**

## **For HIGH Temp SEARING & grilling (350° to 650° F)**

Use approx two - three pounds of mostly smaller golf ball size pieces of LUMP CHARCOAL than normally to build fire in center of fire grate. Start fire as described above. When coals ignite, CLOSE LID and begin to regulate temp with dampers to desired setting.



**Light charcoal pile on  
BOTTOM for high fire temperature**

## **For Smoking:**

1. Follow instructions for lower temperature cooking (350°F and below).
2. Pre-soak wood chips for 35 minutes. Soak chunks for 1 hour and 30 minutes, or until wood is completely saturated.
3. After grill has reached desired temperature, sprinkle two handfuls of soaked wood chips or chunks over the lit charcoals.
4. Let the chips begin to smoke by closing the lid.
5. You can begin cooking after a few minutes. More soaked chips may be added to the fire later if necessary,

## **Heat Gauge:**

This heat gauge is accurate to +/- 10% of the actual temperature. We suggest verifying this with your oven. If you require more precise temperature control, the use of a meat thermometer is recommended.

**NOTE: Smoke may escape from areas other than the smokestack. This should not affect cooking.**

NEVER EXCEED 700°F BECAUSE THIS WILL DAMAGE THE FINISH AND CONTRIBUTE TO RUST. PAINT IS NOT WARRANTED AND WILL REQUIRE TOUCH-UP. THIS UNIT IS NOT WARRANTED AGAINST RUST.



## Cooking with **INDIRECT** Heat on a Kamado:

Smokin' Stone™ and Pizza Stones are sold separately at **CharGriller.com**. Both Stones can be used interchangeably.



### **Smokin' Stone, Grate, Drip Pan & Meat Rack**

This is ideal for **ROASTING** large cuts of meat (low and slow). The meat stays flavorful and juicy as it slowly roasts and is basted in it's own juices. Add apple juice or beer to drip pan if desired.

Place Smokin' Stone™ on the three handles near the top of the Fire Bowl; followed by the Cooking Grate, a Drip Pan (any shallow aluminum pan will work), and a Meat Rack (sold separately).



### **Smokin' Stone, Drip Pan, Grate & Meat Rack**

This is another method of **INDIRECT** cooking. Also ideal for **ROASTING** large cuts of meat and ribs, this method catches the meat's drippings below the grate.



### **Smokin' Stone, Drip Pan & Meat Rack**

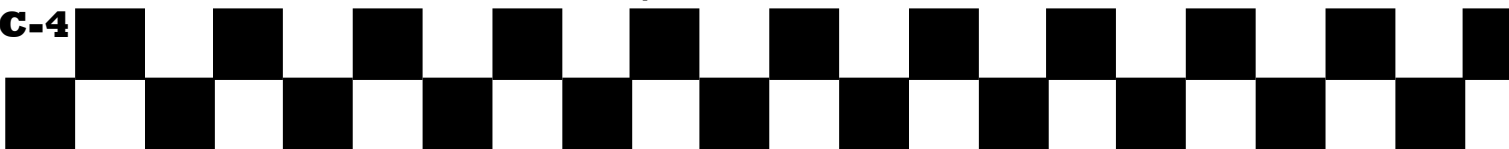
This is a third method of **INDIRECT** cooking and an excellent way to cook large turkeys, chicken or other fowl.



### **Grate, Pizza Stone, Drip Pan & Meat Rack**

Pizza Stone can be used as a Smokin' Stone™ when placed on the Cooking Grate; with a Drip Pan on top of the Pizza Stone; then with a Meat Rack placed inside of the Drip Pan.

Visit **CharGriller.com** to purchase **AKORN** accessories.



# Finishing Up

When you are finished grilling you can shut down your grill by closing both dampers and allowing the fire to suffocate. Be patient. This may take an hour or more.

## Emptying the Ashes:

**\*\* ONLY EMPTY ASHES WHILE GRILL IS NOT IN USE \*\***

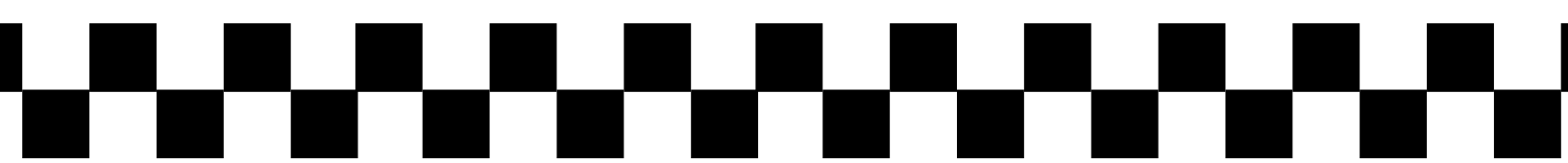
After the fire is completely extinguished you should wait several hours before emptying the ashes to ensure they are not still hot and a burn hazard.

1. Knock any ashes that did not fall into the ash pan from the fire grate. (If there are pieces of partially burned charcoal on the fire grate you can save them for next time. They are still good).
2. Tap the sides of the fire bowl to knock loose any ash that is on the sides.
3. Unclip the ash pan from the bottom of the grill and slide out towards the front.
4. Give the ash pan a few firm taps to loosen any ash that may be stuck.
5. Place the ashes in a metal container and cover with water to ensure there are no lit coals then you can dispose of the ashes.

**IMPORTANT: Charcoal is porous and holds moisture. DO NOT leave charcoal in your grill while you are not using it. Charcoal and ashes left inside the ash pan may reduce the life of your grill.**



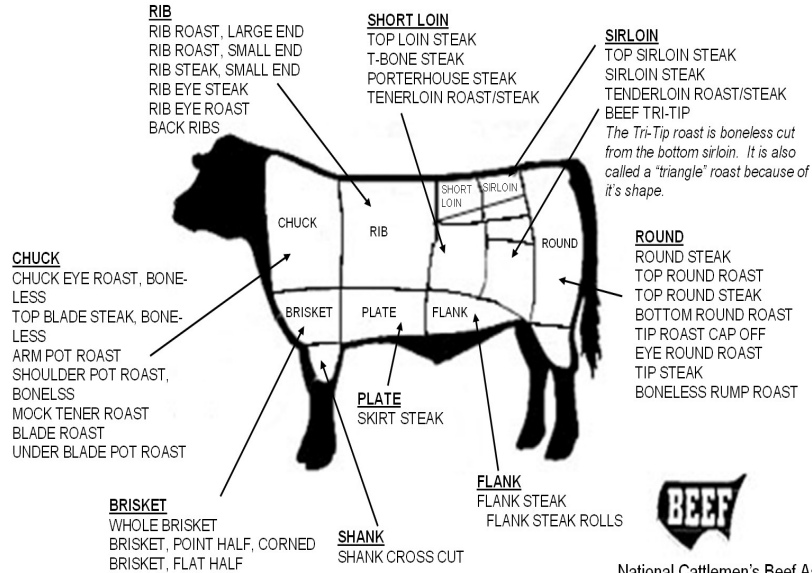
**This Page Intentionally  
Left Blank**



# GRILLING RECIPES

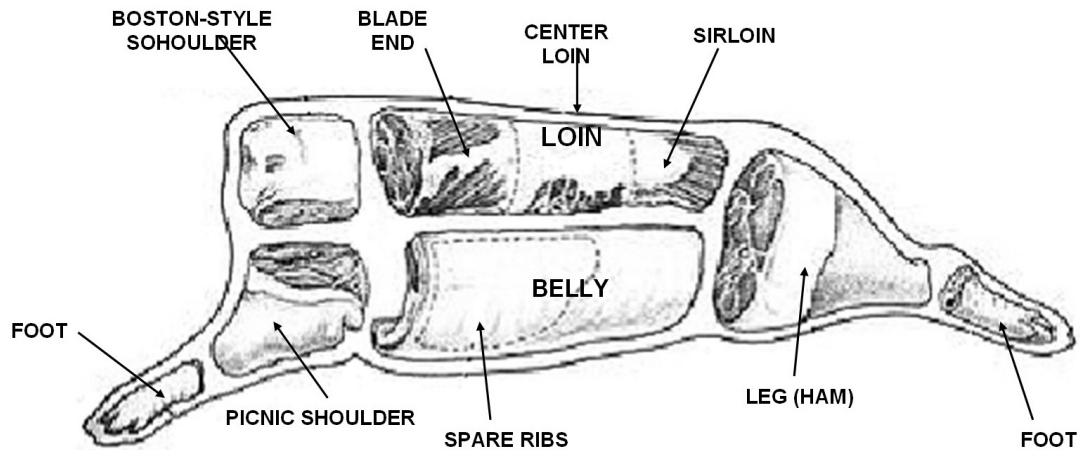
## Know Your Cuts of Meat

### BEEF CUTS



National Cattlemen's Beef Association  
444 North Michigan Avenue  
Chicago, Illinois 60611  
(312) 467-5520

### PORK CUTS







# **TIPS FOR AKORN GRILLING**

## **(Direct Heat Above Coals)**

- Leave grill Lid down while cooking to eliminate flare ups & to provide even cooking
- Add wood chips for flavor. When smoking, soak chips in water for 40 mins. prior to placing in the grill
- Meat Thermometers give internal temperatures for rare, medium or well done. When testing temperatures, insert the probe into thickest part of meat.
- If using a WIRED digital thermometer, we suggest running the probe's wire thru the top damper so it's not necessary to open lid to read the meat's temperature. Opening the lid adds extra smoking time.
- Over cooking causes the meat to dry out
- Damper adjustments lowers or raises heat. Remember, more air equals higher temperature.
- EASIEST TEMPERATURE SETTING: Open bottom damper and only adjust the top damper. Opening or closing the top damper ¼" generally adjusts the temperature up or down approximately 25°F.
- To lower the temperature: Close both dampers & open lid intermittently to release the hot air. Additionally, you can hand spray a little cold water on the coals to reduce the temperature faster.
- Closing both dampers after cooking will extinguish the fire and preserve some charcoal for next time.
- LUMP CHARCOAL is recommended as fuel because it lights faster, burns hotter, cleaner, adds flavor, has less ash clean up, lasts longer (18 to 24 hrs) and you can use less lump charcoal than briquettes.
- In order to avoid an unnatural after-taste on your food, do not use lighter fluid. Rather, use an electric starter or fire starters.
- When cooking at high temperature, open lid slowly or open top damper 10 seconds before opening to avoid fireball or flash back.
- Bring meats to room temp before cooking.
- When starting fire, after coals are lit but before they turn white, you can close the lid and start regulating dampers to control internal dome temperature.

## **STEAKS**

- Trim excess fat and apply a dry rub to both sides of steaks.
- Sear 1 ½ inch steaks on the AKORN® directly over the coals for 2 or 3 minutes at 650°F.
- Flip the steaks and grill for another 2 or 3 minutes.
- Flip steaks again and shut both top and bottom dampers and let steaks remain on grill for another 3 or 4 minutes before removing.
- Internal meat temperatures: 145°F - Med Rare; 160°F -Med; 170°F -Well Done.

### **Dry Rub Seasoning:**

- Mix 1/8 cup kosher salt
- ¼ tsp. white pepper
- 1/8 tsp. cayenne pepper
- 1 tsp. black pepper
- Apply to both sides.

### **Steak Marinade:**

In a glass pan mix:

- ½ cup olive oil
- 1/3 cup soy sauce
- ¼ cup wine vinegar
- 2 tsp. lemon juice
- 1 tsp. dry mustard
- 1 minced garlic clove
- small minced onion
- ¼ tsp. pepper

Place the meat in the marinade and refrigerate for 3 hours.

## **BURGERS:**

Grill ½ lb Burgers exactly the same as Steaks **EXCEPT...** grill for 2 minutes before each flip.

**Char-Griller “Special” Burger:** For a special burger treat, mix hamburger with Meat Magic®, Worcestershire sauce, ketchup, kosher salt, ground pepper, chopped onions & let sit for 20 minutes at room temperature.

### **HAMBURGER (or, really any meat!) MARINADE:**

- Combine 1 cup soy sauce
- 2 coarsely chopped large onions
- 2 cloves garlic (halved)
- Place in an electric blender; cover, process at high speed for 1 minute or until mixture is smooth.
- Stir in ¼ cup bottle gravy coloring (Kitchen Bouquet® & Gravy Master®)
- 2 tsp. Beau Monde seasoning (or substitute 1 tsp. MSG & 1 tsp. Seasoned Salt)
- Marinate meat at room temp for 2 hrs or refrigerate up to 24 hrs in a covered dish.
- Bring meat to room temp before cooking.

## **RACK OF LAMB:**

A typical rack of lamb is 8 bones and weighs 1 1/2 to 2 pounds. A single rack of lamb is perfect for two people. A big investment, but a fantastic meal. Bottom end has a thick, round piece of meat, which on the rack is like a long, thin roast. Once cut it is like a small pork chop. Ask your butcher to remove the thin skin from outside of the rack & cut off the chine bone to make it easier to carve.

### **Preparation:**

- Wrap bare long bones sticking up from rack with foil (to avoid crusting). Do not overcook or cook at too high a temperature because these bones can burn and crumble. Keep the bones up, away from the fire by placing in a “U” Rack.
- Remove loose pieces of fat. Dry with paper towel & season with mustard, salt, pepper and garlic.



- Sear lamb quickly over hot fire at 500°F for 3 mins. per side then drop heat and/or move the rack to a cooler part of the grill to let center roast. This creates a perfect caramelized crust and keeps the center tender and juicy.
- Close lid and let sit for another 5 minutes.
- Test internal temperature as you go. Do not overcook. Lamb is rare at 120°F; medium 150°F
- Remove from grill and tent under foil for 10 mins. before carving (this is called, “Resting”). The rack will continue to cook and increase a couple degrees on the inside while resting.
- To carve the rack of lamb, stand it up on the meat side with the bones curving away from you.
- Slide a sharp knife down, between the bones cutting gently through the meat. You should be able to see the bones all the way down along the back side of the rack.

## **CHICKEN (Requires Slower Grilling):**

- First, cut and remove the center bone from the chicken.
- Flatten the breast by pressing flat until the cartilage is broken.
- Rub olive oil over the chicken and sprinkle thyme, parsley, sage, rosemary, salt & pepper.
- Grill with skin side down for approximately 17 minutes at 350°F or until skin is crispy;
- Flip and grill for approximately 28 minutes or until internal chicken temperature is 160°F.

### **CHICKEN MARINADE:**

- Combine ½ cup soy sauce
- ¼ cup vegetable oil
- ¼ cup red wine vinegar
- 1 tsp oregano
- ½ tsp. sweet basil
- ½ tsp. garlic powder w/ parsley
- ¼ tsp. pepper.
- Pour over chicken pieces in glass dish.
- Cover and refrigerate overnight. Use marinade to baste chicken while cooking

## **CEDAR PLANK SALMON:**

- Soak planks for 3-4 hrs before cook. Rub salmon with olive oil, dizzy pig raging rub & lemon.
- Prepare AKORN® at 425°F
- Place plank on grill. Once it starts ‘crackling,’ Place salmon on grill (around 5 minutes)
- For thick salmon filets, estimate about 10 - 13 minutes for the fish to start ‘flaking’.

## **SWEET CORN IN HUSKS:**

- Trim excess silk from end and soak in cold salted water 1 hour before grilling.
- Grill 25 minutes—turning several times.

## **QUAIL OR DOVES:**

- Cover birds in Italian dressing and marinate overnight.
- Pour remaining dressing and cover with Texas Pete® Hot Sauce for 6 hours.
- Wrap birds in thick bacon secured by a toothpick.
- Place on grill. Keep turning until bacon is black.
- Grill for 20 minutes. Sear with lid open at HIGH temperature (500-700°F) for 1 minute on each side before closing lid and lowering temperature.

## **KABOBS:**

- Alternating on skewers any combination of meat, onions, tomatoes, green peppers, mushrooms, zucchini, circular slice of corn-on-the-cob, or pineapple. Meat could consist of chunks of shrimp, scallops, lobster, chicken, sausage, pork, beef, etc.
- Marinate the meat in refrigerator for several hours.
- Grill each side approximately 7 minutes turning occasionally while basting with marinade. Leave a small amount of room between pieces in order to cook faster.
- Grill with lid up and the fire grate in the lowest position. See marinade recipe on last page.

### **Kabob Marinade:**

- 1 cup soy sauce
- ½ cup brown sugar
- ½ cup vinegar
- ½ cup pineapple juice
- 2 tsp. salt
- ½ tsp. garlic powder
- Mix all ingredients in a saucepan and bring to boil.
- Allow marinade to cool before marinating your meat in it.
- Marinate beef in mixture a minimum of 4 hours.

## **SHRIMP (Peeled) & CRAYFISH:**

- Place on skewers.
- Coat with melted butter and garlic salt.
- Grill 4 minutes on each side or until pink. Cocktail sauce optional.

## **BAKED POTATOES:**

- Rub with butter and wrap in foil and cook on grill with lid down for 50 minutes.
- Turn after 25 minutes (no need to turn if smoked).
- Squeeze to check for doneness.



# TIPS FOR AKORN® SMOKING

## (Indirect Heat)

- Smoke long and slow in the 200° to 350°F range
- Adjust the dampers for desired temperature. Remember, more air equals higher temperature.
- Lump charcoal is preferred over briquettes.
- Put several layers of charcoal in firebox with soaked hickory chips (soak 40 min to 3 hrs) mixed in or on top of coals for a wood smoke flavor to the meat.
- Use less lump charcoal than you would briquettes.
- For slow cooking, (250 to 350°) build small fire and light with fire starter at top of the charcoal pile
- Light charcoal pile at bottom for high temp fires. Easy to heat up, harder to bring down.
- Bring meat to room temp before cooking and use meat thermometer to know when done.

## Indirect Heat

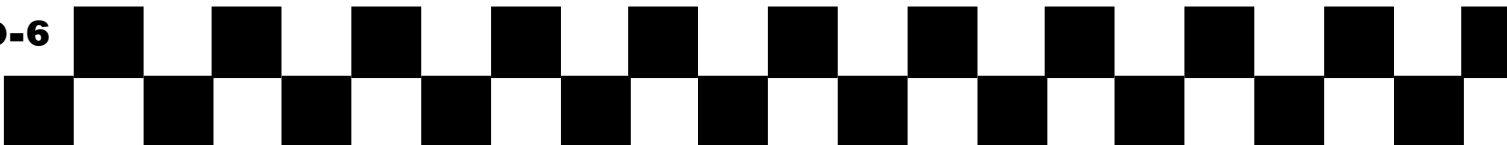
### SMOKING TIMES



Food	Weight	Water Pan Smokin'		Temperature on Meat Thermometer
Beef Roasts, Beef Brisket	3 – 4 lbs.	1 – 1½ hours	4 – 5 hours	140° rare
Lamb Roasts, Venison	5 – 7 lbs.	1¾ – 2½ hours	5 – 6 hours	160° medium
Large cuts of Game	7 – 9 lbs.	2½ – 3½ hours	7 – 10 hours	170° well done
Pork Roasts	3 – 4 lbs. 5 – 8 lbs.	1¾ – 2½ hours 2½ – 3 hours	5 – 6 hours 7 – 8 hours	170° 170°
Pork/ Beef Ribs	Full grill	1½ – 2 hours	4 – 6 hours	Meat pulls from bone
Pork Chops	Full grill	¾ – 1¼ hour	4 – 6 hours	Meat pulls from bone
Sausage Links	Full grill	2 – 2¾ hours	4 – 5 hours	170° for fresh sausage
Ham, Fresh	10 lbs.	3 – 4 hours	7 – 8 hours	170°
Ham, Cooked	All sizes	1½ – 2 hours	3 – 4 hours	130°
Chicken (Cut up or split)	1-4 fryers, cut up or split	1 – 1¼ hours	4 – 5 hours	180° / leg moves easily in joint
Chicken (Whole)	1-4 fryers	1¼ – 1½ hour	5 – 6 hours	180° / leg moves easily in joint
Turkey (Unstuffed)	8 – 12 lbs.	1¾ – 2½ hours	7 – 8 hours	180° / leg moves easily in joint
Fish, small whole	Full grill	½ – ¾ hours	2 – 3 hours	Flakes with fork
Fish, filets, steak	Full grill	¼ – ½ hours	1 – 3 hours	Flakes with fork
Duck	3 – 5 lbs.	1 – 1¾ hours	5 – 6 hours	180° / leg moves easily in joint
Small game birds	Full grill	¾ – 1 hour	4 – 5 hours	180° / leg moves easily in joint

## **PORK BUTT or VENISON (bone in – 6/9 lbs):**

- 1 cup commercial dry BBQ rub and/or deeply inject seasoning of your choice into meat
- Work the rub into the butt until it is moist.
- Wrap in saran and place in refrigerator for 3 to 5 hours.
- Cook the butt for 18 hours at 235°F or when internal meat temperature reaches 200°F.
- Remove & double wrap in foil and let sit 30 minutes before pulling apart.



## **RACK OF BABY BACK RIBS:**

- Remove membrane by placing the tip of a meat thermometer between the membrane and a bone near the end of the rack of ribs.
- Work membrane loose and peel it off.
- Wash the ribs under cool water.
- Apply dry rub to all sides and let stand at room temperature for 30 minutes.
- Smoke for 1½ hr at 325°F.
- Remove meat from grill and brush all sides with honey BBQ sauce.
- Put meat into a rib rack in a foil pan with 1" apple juice.
- Cover with foil & cook 1 hr at 325°F or until pork's internal meat temp is: Med 160°F; Well Done 170°F; Insert tooth picks to test tenderness.
- Remove and serve.

### **Char-Griller Rib Sauce:**

- 1 cup of your favorite dry BBQ rub
- 1 cup of honey
- 1 ½ cup apple juice
- 2 cups honey BBQ sauce.
- Mix thoroughly and brush on ribs

## **RIB ROAST:**

### **Preparation:**

- Use a 4 lb standing rib roast
- Rub seasoning over the entire roast
  - 1 Tbsp. paprika
  - 3 Tbsps. crushed garlic
  - 2 Tbsps. Worcestershire
  - 2 tsp. Adolph's tenderizer.
- Apply salt & pepper to suit your tastes.
- Set roast aside in U rack.
- In casserole dish, mix
  - 1 cup rock salt
  - 1 Tbsp. flour
  - 1 egg white
  - 1 Tbsp. water to tacky paste.
- Place roast back in casserole dish and press the salt/flour mixture on to the roast surface.
- Continue to do so until the entire roast surface is covered with the salt/flour mix.

Note: Use cheese cloth to hold the salt to the surface of the roast if desired.

### **Cooking Directions:**

- Over a drip pan with no water, place roast in to roasting rack
- Cook roast 15 minutes per pound at 500 to 525°F for medium rare
- Put meat thermometer in roast last 30 mins. cooking: 145°F rare; 160°F med; 175°F well done



- When cooking is done, remove roast and allow it to sit uncovered for 10 minutes
- Break shell of salt away from roast and remove. Salt will be brittle. You may have to scrape from meat surface.
- Let roast sit another 5 mins., slice and serve.

### **Au Jus Sauce:**

- In 10" skillet or shallow pan place 4 to 6 small chunks of roast along with 3 to 4 Tbsps. water.
- Stir and heat over med heat until water becomes dark & viscous from the chunks of roast.
- Add 1 to 2 cups of water and increase heat under pan.
- When water just starts to boil, add 2 tsp. of beef bullion crystals.
- Stir until crystals are completely dissolved.
- Remove from heat, strain to remove any chunks of roast used for flavoring and serve.

### **PRIME RIB: (bone in)**

Smaller end is often juicier (2 bones = 4 people)

- Season prime rib with garlic, pepper and BBQ rub. Wrap in plastic and let sit for at least 1 hr.
- Place drip pan below to catch drippings.
- Sear the outside for a crust or cook at 350°F for 3 hours. (for 8 lb prime rib)
- Remove before the prime rib is cooked, tent in foil and let sit for 10 minutes.

### **TURKEY or WHOLE CHICKEN:**

Use up to a 15 lb Turkey or 8 lb Chicken.

- Place Bird vertically (up right) on cone wire rack in a drip pan. You can also lay the bird horizontally in "U" Meat Rack.  
NOTE: Using the optional Smokin' Stone™ AKORN® accessory is ideal for this method. Simply remove the cooking grate and place the Smokin' Stone™ directly above the fire grate. This provides indirect heat, keeps the meat juicy, and offers more cooking space for large cuts of meat.
- Apply commercial dry rub, salt & pepper on entire bird and apply rub under the breast skin at neck and some inside the cavity.
- Fill drip pan with 2 cups chicken broth, wine, water, celery & onion.
- Cook approx 12 minutes per lb at 325°F until internal meat temp (in breast) is 160°F.
- Use drippings in the Drip Pan to make gravy.

### **SMOKED TURKEY:**

- Empty cavity rinse and pat dry with paper towel.
- Tuck wing tips under the back and tie legs together.
- Place in center of cooking grid directly above foil drip pan of water.
- Smoke for 12 minutes per pound. Allow several extra minutes per pound if stuffed to allow for expansion.
- Use a meat thermometer for best results (190°F internal).

## **SMOKED BAKED HAM:**

You can smoke fully cooked canned ham or smoked and cured whole ham or shank or butt portion.

### **Glaze**

- 1 cup of light brown sugar, firmly packed
- 1/2 cup orange juice
- 1/2 cup honey
  
- Combine sugar, juice and honey. Let glaze sit for at least 4 hours.
- Place fire grate in the lowest position and a drip pan under the meat.
- Remove rind and score fat diagonally to give a diamond effect.
- Insert a whole clove into the center of every diamond.
- Place ham with fat side up in center of cooking grid directly above drip pan. Close lid.
- About 9 minutes per pound is suggested for fully cooked hams. Smoked or cured ham, which is not fully cooked, should be cooked to an internal temperature of 160°F.
- Baste with ham glaze 3 or 4 times during last 30 minutes of cooking time.
- Garnish with pineapple rings about 15 minutes before end of cooking time.

## **SMOKED HOT DOGS STUFFED:**

- Slit hot dogs lengthwise, within 1/4 inch of each end.
- Stuff hot dogs with cheese and relish and wrap in bacon.
- Place on cooking grid over drip pan and smoke 15-20 minutes or until bacon is crisp.

## **SMOKED CHICKEN PARTS AND HALVES:**

- Rinse pieces in cold water and pat dry with paper towels.
- Brush each piece with vegetable oil and season to taste with salt and pepper.
- Brown pieces directly above coals with lid open for several minutes.
- Then place pieces on cooking grate directly above drip pan.
- With the grate in the low position, cook with lid down for 55 to 60 minutes or until done. Do not use vegetable oil or salt and pepper if using marinade.

## **SMOKED VENISON:**

### **Venison Marinade:**

- 1 cup Balsamic or wine vinegar
- 1 cup olive oil
- 2 oz. Worcestershire
- 1/2 oz. Tabasco
- 2 tbsp. Season All
- 1-2 chopped jalapeños
- 3 oz. soy sauce





### **Bacon Marinade for Venison:**

- 2 oz. wine vinegar
- 2 oz. Worcestershire
- 4 dashes Tabasco
  
- Place leg of venison in a container or “hefty bag” and marinate for 2-4 days, turning daily. Marinate bacon overnight in its marinade.
- Remove roast from refrigerator at least an hour before cooking.
- Season generously with seasoned salt and coarse ground black pepper.
- Wrap 1 lb. Bacon over the top of the roast, and smoke 20/25 minutes per pound, or until tender. Do not overcook.

### **SMOKED SHRIMP & CRAYFISH:**

- Mix in a foil pan 1/2 cup butter, two cloves of crushed garlic, Tabasco, sliced green pepper, 1 Tbsp. each of minced onions, salt and juices from one lemon.
- Add shrimp and/ or crayfish and smoke 45 minutes.

### **SMOKED VEGETABLES:**

- Turnips, potatoes, carrots, okra, mushrooms, peeled onions, zucchini, squash, etc.
- Put in pan and cover with water and cook for several hours while cooking the meat. Or place vegetables on grill and smoke for 50 minutes, either wrapped in foil or not.

### **SMOKED FISH:**

- Marinate in brine (1/4 cup dissolved in 1 qt of water) or marinate fish in 1 cup white wine, 1 cup soy sauce mixed with 1 cup lemon juice.
- Marinate overnight in covered dish in refrigerator.
- Let air on rack 20 minutes before placing on Pam®-sprayed grill.
- Smoke 25 minutes.

### **SMOKED SPARE/BACK RIBS:**

- Peel off tough layer of skin on back side.
- Rub all surfaces with seasoning.
- Place ribs in center of grid above drip pan and smoke approximately 1 1/2 hours or until meat pulls away from bone.
- Baste with barbecue sauce during last 30 minutes.

# BAKING on the AKORN®

Bake pizza, bread, cornbread, biscuits, cobblers, cookies and pies. We recommend purchasing the Smokin' Stone™ and/or Pizza / Baking Stone accessory for best results. The stone allows moisture to be drawn from dough and provides crispy and light crusts.

## BAKED BREAKFAST PIZZA:

- Start by smoking center cut bacon on the AKORN®.
- Next scramble 4 or 5 eggs on the stove, or use Cast Iron skillet and make on the AKORN®.
- While the eggs are cooking, brown several cups of hash browns.
- Make or purchase 1 jar (approx 10 oz) white gravy.
- Use a precooked pizza crust and spread a layer of white gravy onto it.
- Next mixed hash browns, eggs and bacon into a bowl and place them onto the pizza crust
- Top with cheese and more gravy.
- Cook at 450°F for approximately 13 mins.

## 12 inch HOME MADE PIZZA:

**Sauce:** 1 Tbsp olive oil, 1/2 onion diced small, 1 clove garlic minced, 1 x 15-oz can whole tomatoes, 1 sprig fresh oregano, 1/2 tsp. sugar, 1/2 tsp. kosher salt, 1/8 tsp. ground pepper

**Crust:** 1½ cups warm water, 2 Tbsps. olive oil, 2 tsp. kosher salt, 3 x ¾ cups bread flour, ½ corn meal, 2 tsp. sugar, 2 tsp. rapid rise yeast

### Preparation

#### Sauce:

- Heat the oil in a 1-1/2 qt sauce pan. Cook the onion and garlic until softened and translucent, about 3 minutes. Stir as necessary.
- Add tomatoes, crush lightly with hands as added. Add juice too. Strip leaves from oregano stem and chop.
- Add oregano and sugar. Simmer, stir occasionally for about 20-30 mins., until thickened. Add salt /pepper.

#### Crust

- Purchase ready-made crust or dough, OR
- Place ingredients in the order listed into bread machine. Run machine on pizza cycle. To use immediately, move to Pizza Screen (or place in oiled bowl, cover & place in refrigerator until ready to use).

#### Pizza

- Add the sauce and other ingredients (if you like) to the crust.
- The pizza can be cooked two different ways.
  1. Preheat grill to 650°F. Wet pizza stone (to cool), place pizza on stone and cook 6 mins.
  2. If grill cannot achieve hot temp, then pre-heat grill to 350°F and cook 15-20 mins. (until golden brown)
- Let sit for 5 minutes and enjoy! Pizza screen will help take pizza on and off grill.

# ACCESSORIES



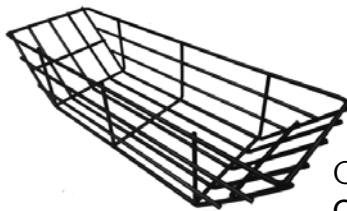
**Smokin' Stone**  
Circulates air around meat & protects meat from direct flame and heat. Enhances tastes and tenderness



**AKORN Cover**  
Custom-fit, weather-resistant cover to protect your grill from the elements



**Adjustable Fire Grate**  
For precise heat control (Hot, Medium, and Low)



**Charcoal Basket**  
Confines Coals to One Side for Smoking Indirect Cooking



**Pizza Stone**  
Circulates air around dough. Use for baking, pizzas or other delicate food items



**Apron**  
Machine Washable  
Two Front Pockets  
Adjustable Straps



**Quick Release Chimney Starter**  
E-Z starter with patented Trigger release  
ABS handle with heat shield  
Zinc coated galvanized steel  
Makes starting charcoal grill fast and easy

**For pricing or to order accessories visit:**

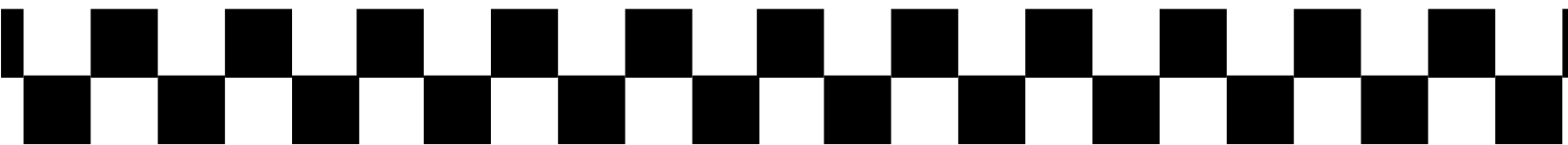
**[www.CharGriller.com](http://www.CharGriller.com)**

**OR**

**CALL: 912-638-4724**



P.O. Box 30864  
Sea Island, GA 31561  
912-638-4724  
[www.CharGriller.com](http://www.CharGriller.com)  
[Service@CharGriller.com](mailto:Service@CharGriller.com)



# MANUAL DEL USUARIO



**AKORN®**

**Modelo #E56520**

**Para efectos de Garantía, guarda tu  
recibo con este manual.**

**ATENCIÓN AL CLIENTE**

**1-912-638-4724**

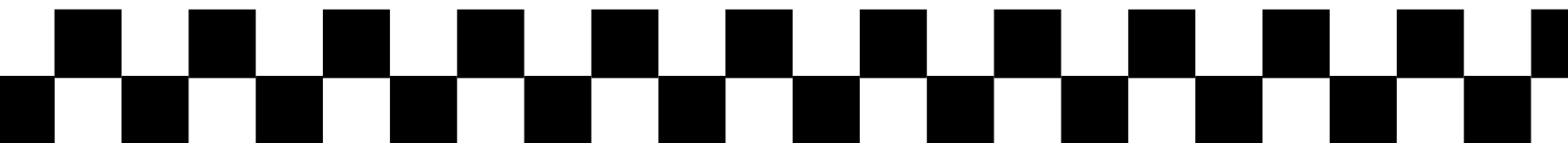
**Service@CharGriller.com**

Lo contenido en este manual es Marca Registrada y Propiedad con Derechos de Autor de Char-Griller | A&J Manufacturing. Está terminantemente prohibido utilizar la información suministrada en este manual sin el consentimiento de Char-Griller y/o A&J Manufacturing

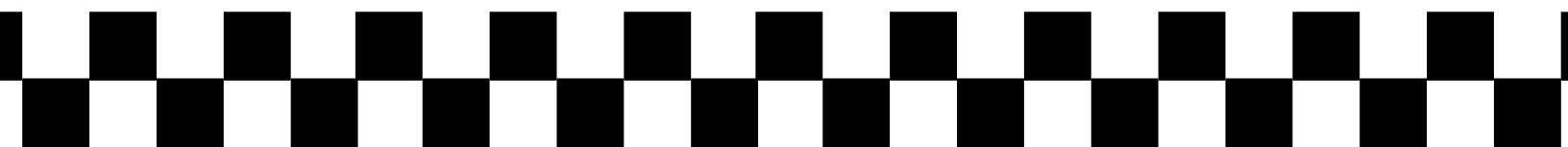


# TABLA DE CONTENIDO

Advertencias De Seguridad.....	A-1
Instrucciones de Ensamblado.....	B-1
Instrucciones Operativas .....	C-1
Recetas Para La Parrilla .....	D-1
Accesorios .....	E-1



**Esta Página Ha Sido  
Intencionalmente Ha Dejado  
En Blanco**



# ADVERTENCIAS DE SEGURIDAD

LEA TODAS LAS INSTRUCCIONES Y ADVERTENCIAS DE SEGURIDAD CUIDADOSAMENTE ANTES DE ENSAMBLAR Y OPERAR SU PARRILLERA

Lea todas las instrucciones cuidadosamente y asegúrese de que su parrillera esté ensamblada, instalada y reciba mantenimiento apropiadamente. El incumplimiento de estas instrucciones puede causar daños a la propiedad y/o lesiones severas. Si tiene alguna pregunta relacionada con la instalación u operación, llame al 912-638-4724.

- Sea precavido durante el ensamblaje y operación de la parrillera, para evitar rasguños y cortadas con bordes filosos.
- No utilice gasolina, querosén o alcohol para encender el carbón. El uso de cualquiera de esos o de productos similares podría causar una explosión que resulte en lesiones severas.
- No utilice fluido de encendido en carbones ya encendidos.
- Mantenga a los niños y mascotas alejados de la parrillera en todo momento. La supervisión es necesaria, no deje una parrillera encendida sin supervisión.
- Sea precavido cuando mueva la parrillera, para evitar lesiones.
- Mantenga la parrillera a un mínimo de 15 pies (4,58 m) de cualquier material inflamable (plataformas, contrucciones, cercas, árboles, arbustos, etc).
- Cuando agregue carbón y/o leña, hágalo con mucho cuidado.
- Nunca mueva la parrillera cuando se encuentre en uso o cuando contenga carbones o cenizas encendidas. Cuando se encuentre encendida, mantenga la parrillera nivelada en todo momento.
- SIEMPRE cierre el pestillo de la tapa cuando la tapa este en posición de cerrada.
- No coloque la parrillera cerca de ningún líquido o gas inflamable, ni donde puedan estar presente vapores inflamables.
- Cuando abra la parrillera, primero ábrala un poco para permitir que una cantidad pequeña de aire entre por unos segundos. Esto prevendrá que grandes cantidades de oxígeno se cuelen hacia los carbones sofocados, lo que podría causar peligrosas llamaradas.
- Sea precavido ya que las llamas pueden intensificarse y estallar cuando el aire fresco entra en contacto con el fuego. Cuando abra la tapa, mantenga las manos, cara y cuerpo en resguardo del vapor caliente y las llamaradas.



**WARNING:** FUELS USED IN WOOD OR CHARCOAL BURNING APPLIANCES, AND THE PRODUCTS OF COMBUSTION OF SUCH FUELS, CAN EXPOSE YOU TO CHEMICALS INCLUDING CARBON BLACK, WHICH IS KNOWN TO THE STATE OF CALIFORNIA TO CAUSE CANCER, AND CARBON MONOXIDE, WHICH IS KNOWN TO THE STATE OF CALIFORNIA TO CAUSE BIRTH DEFECTS OR OTHER REPRODUCTIVE HARM. *For more information go to:* [www.P65Warnings.ca.gov](http://www.P65Warnings.ca.gov).

**ADVERTENCIA:** LOS COMBUSTIBLES USADOS EN EQUIPOS PARA QUEMAR MADERA O CARBÓN, ASÍ COMO LOS PRODUCTOS DE TAL COMBUSTIÓN, PUEDEN EXPONERTE A SUSTANCIAS QUÍMICAS, ENTRE ELLAS EL NEGRO DE HUMO Y EL MONÓXIDO DE CARBONO, QUE EL ESTADO DE CALIFORNIA RECONOCE COMO CAUSA, RESPECTIVAMENTE, DE CÁNCER Y DE MALFORMACIONES CONGÉNITAS Y OTROS DAÑOS AL SISTEMA REPRODUCTOR. *Para más información, visite [www.P65Warnings.ca.gov](http://www.P65Warnings.ca.gov)*





# **ADVERTENCIAS DE SEGURIDAD**

## **(Continuación)**

- Remover el exceso de grasa antes de la cocción ayudará a prevenir las llamaradas.
- Mantenga su parrillera limpia para prevenir llamaradas.
- Siempre coloque el carbón en la parte superior de la rejilla para carbón, y no directamente en el fondo de la parrillera.
- No exceda una temperatura de 700° F.
- No permita que el carbón y/o leña repose en las paredes de la parrillera. Esto reduciría considerablemente la vida útil de la parrillera.
- Siempre utilice agarradores de horno para proteger las manos de quemaduras, especialmente cuando ajuste las rejillas. Evite tocar superficies calientes.
- Cuando abra la tapa, asegúrese de empujarla completamente hasta que descansa sobre los soportes de apoyo de la tapa. Tenga mucho cuidado ya que la cubierta podría caer a la posición de cerrado, causando lesiones.
- Cierre la tapa y todas las rejillas para ayudar a extinguir la llama.
- Siempre sostenga una tapa abierta por el asa, para prevenir que se cierre inesperadamente.
- No deje carbones y cenizas sin supervisión. Antes de dejar la parrillera sin supervisión, retire los carbones y cenizas. Tome precauciones para protegerse a sí mismo y a la propiedad.
- Coloque los carbones y cenizas cuidadosamente en un contenedor de metal no inflamable y satúralo completamente con agua. Permita que los carbones y cenizas reposen por 24 horas en el contenedor de metal previo a su desecho.
- Para protegerse de las bacterias que pueden causar enfermedades, mantenga todas las carnes refrigeradas y descongélelas en el refrigerador o microondas. Mantenga las carnes crudas separadas de otras comidas, y lave todo lo que entre en contacto con la carne cruda.
- Cocine las carnes cuidadosamente, y refrigere los excedentes inmediatamente.
- Utilice un termómetro para comida calibrado y los lineamientos del Departamento de Agricultura de los EE.UU. para asegurarse de que la carne, aves, mariscos y otros alimentos cocidos alcancen una temperatura mínima saludable para su ingesta.
- Exclusivamente para el uso al aire libre y en áreas bien ventiladas.

# ¡PARE! ¡LLAME PRIMERO A !

## NO Devuelva el Producto a la Tienda.

Este producto ha sido construido bajo los más altos estándares de calidad. Si tiene alguna pregunta que no ha sido respondida en estas instrucciones, o si necesita alguna pieza o repuesto, por favor llame a nuestro Departamento de Atención al Cliente al 1-912-638-4724 (EE.UU.), o envíenos un correo electrónico a: [Service@Char-Griller.com](mailto:Service@Char-Griller.com); tenga el número de serial de su parrillera al alcance.

### Documente el Número de Serial y Modelo de su Parrillera AQUÍ:

(El número de modelo y serial se encuentran en la parte trasera del cuerpo de la parrillera o en la pata.)

(NÚMERO DE MODELO)



(NÚMERO DE SERIAL o S/N)

(ejemplo)



**AVISO IMPORTANTE:** Lea cuidadosamente todas las instrucciones previo al ensamblado y uso. Lea y comprenda todas las advertencias y precauciones antes de operar su parrillera.

## **REGISTRE SU PARRILLERA:**

Para aprovechar al máximo la garantía de Char-Griller, registre su parrillera a través de la página web [www.CharGriller.com/Register](http://www.CharGriller.com/Register) o llamando a Servicio al Cliente al **1-912-638-4724**.

Registrarse le otorga protecciones importantes:

1. En el caso extremo del retiro de un producto, Char-Griller podrá contactarle y solucionar el problema rápidamente.
2. Si una parte cubierta por la garantía está rota o faltante, podemos enviarle rápidamente las partes que requiera o necesite.

**NOTA:** Durante el registro, usted necesitará el número de modelo, serial y una copia de la factura de compra original.



# INFORMACIÓN DE GARANTÍA

DURANTE EL REGISTRO O INTRODUCCIÓN DE UN RECLAMO DE GARANTÍA\* DEBERÁ PRESENTAR COPIA DE LA PRUEBA DE COMPRA FECHADA (RECIBO). POR FAVOR, GUARDE UNA COPIA DEL RECIBO PARA SUS REGISTROS.

Char-Griller reemplazará cualquier pieza defectuosa de sus parrilleras/ahumadores, sujetos a garantía, como se establece a continuación.

POR FAVOR LEA ESTA INFORMACIÓN DETALLADAMENTE Y EN CASO DE TENER ALGUNA PREGUNTA, CONTACTE A SERVICIO AL CLIENTE A TRAVÉS DEL 912-638-4724.

<b>Parrilleras a Carbón / Pellet / Kamado</b>	
Parrillera - Tapa Y Cuerpo (no incluye Recipiente para Cenizas removible)	5 años desde la fecha de compra para casos de perforación por oxidación / quemadura
Recipiente para Cenizas Y Partes Defectuosas	1 año desde la fecha de compra
<b>Parrilleras a Gas</b>	
Tapa de Parrillera (parte SUPERIOR) Y Tubos del Quemador Principal (no incluye el Quemador Lateral)	5 años desde la fecha de compra para casos de perforación por oxidación / quemadura
Cuerpo de la Parrillera (parte INFERIOR) Y Quemador Lateral Y Partes Defectuosas	1 año desde la fecha de compra
<b>Parrilleras a Carbón o Gas</b>	
Parrillera a Carbón - Tapa Y Cuerpo Y Tapa de la Parrillera a Gas (parte SUPERIOR) Y Tubos del Quemador Principal (no incluye Recipiente para Cenizas y Quemador Lateral)	5 años desde la fecha de compra para casos de perforación por oxidación / quemadura
Recipiente para Cenizas Y Partes Defectuosas Y Cuerpo de la Parrillera a Gas (parte INFERIOR) Y Quemador Lateral	1 año desde la fecha de compra
<b>Partes, Accesorios, y Cubiertas para Parrilleras</b>	
	1 año desde la fecha de compra (sólo desgarros en costuras para cubiertas)

## EL ÓXIDO SUPERFICIAL NO ES CONSIDERADO UN DEFECTO DE MANUFACTURA O DE MATERIAL

Las parrilleras Char-Griller están hechas de acero y al ser expuestas a los elementos ambientales se producirá la oxidación naturalmente. Por favor, refiérase a la sección "Uso" para revisar como cómo cuidar su parrillera apropiadamente.

Los problemas superficiales como: ralladuras, hendiduras, corrosión o decoloración por calor, limpiadores químicos o abrasivos, la oxidación de la superficie o la decoloración de superficies de acero NO están cubiertos por esta garantía.

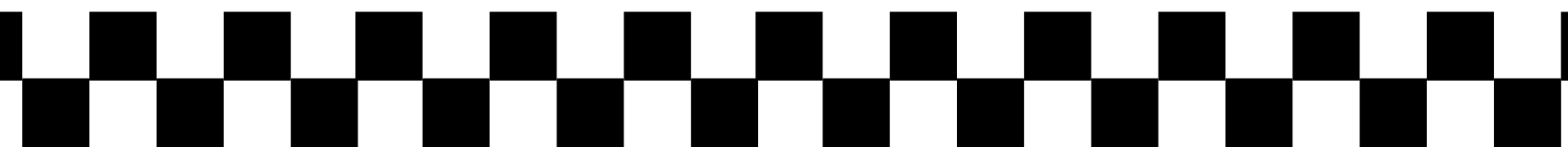
Las garantías sólo cubren el reemplazo de partes defectuosas. Char-Griller no se hace responsable de daños que resulten de accidentes, modificaciones, usos indebidos, abuso, ambientes hostiles, instalación incorrecta e instalación que no cumpla con las normativas locales para la unidad de servicio.

### Excluidos De TODA Garantía

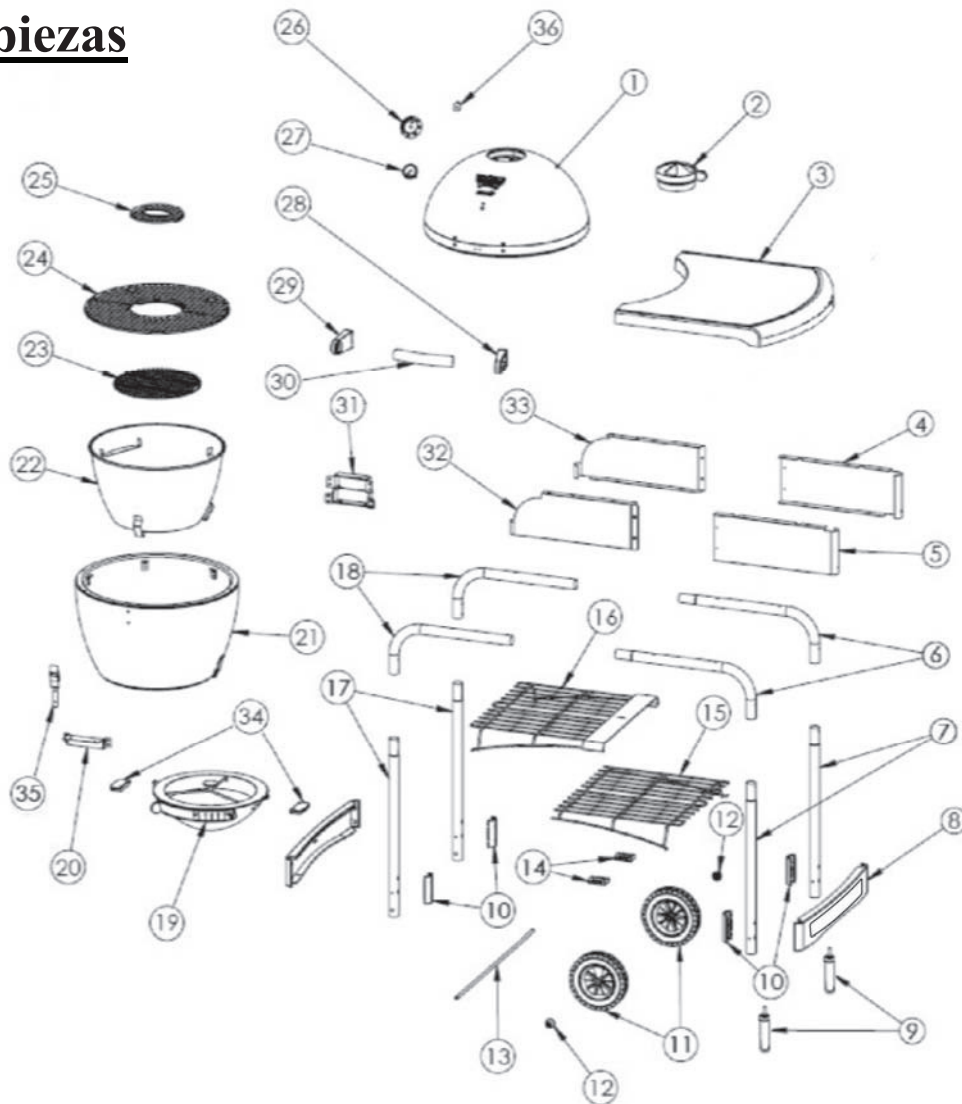
Pintura; Óxido de Superficie; Daño por Temperatura; Partes Incorrectas ordenadas por el cliente, incluyendo el envío; Partes Desgastadas; Partes faltantes o dañadas no reportadas en los (2) meses posteriores a la fecha de compra; Partes Defectuosas no reportadas durante el primer (1) año de la fecha de compra; Decoloración de la tapa de la parrillera.

\*NOTA: Para reclamos de garantía, pueden ser solicitadas fotos y la devolución prepagada del artículo en cuestión. El uso indebido, abuso o uso comercial anula todas las garantías.

**Esta Página Ha Sido  
Intencionalmente Ha Dejado  
En Blanco**



# Lista de piezas



Artículo	Descripción	CANT
1	Conjunto de la campana	1
2	Conjunto del regulador de tiro	1
3	Estante lateral	1
4	Panel trasero derecho	1
5	Panel delantero derecho	1
6	Pata en L derecha	2
7	Pata corta	2
8	Marco lateral del carro	2
9	Extensor de pata	2
10	Soporte de pata	4
11	Rueda de 20cm, de plástico con neumático de caucho	2
12	Tapabuje	2
13	Varilla de eje	1
14	Soporte de seguridad del estante inferior	2
15	Estante inferior, mitad derecha	1
16	Estante inferior, mitad izquierda	1
17	Pata larga	2
18	Pata en L izquierda	2
19	Conjunto del cenicero	1

Artículo	Descripción	CANT
20	Ménsula delantera del cuerpo	1
21	Conjunto del cuerpo	1
22	Brasero, 3 manijas, porcelana	1
23	Parrilla para carbón	1
24	Parrilla de cocción externa	1
25	Parrilla de cocción interna	1
26	Aro de montaje del termómetro	1
27	Termómetro	1
28	Tapa del extremo derecho de la manija	1
29	Tapa del extremo izquierdo de la manija	1
30	Manija, centro	1
31	Conjunto de bisagra	1
32	Panel delantero izquierdo	1
33	Panel trasero izquierdo	1
34	Manija de cenicero	2
35	Kit de pestillos	1
36	Junta del termómetro	1



## ADVERTENCIA:

NO UTILIZAR ARRIBA DE 371° C

**PRECAUCIÓN:** no intente mover la parrilla a menos que esté bien cerrada; de lo contrario puede causar daños o lesiones.

**AVISO:** lea todas las instrucciones de ensamblaje y funcionamiento antes de intentar usar la parrilla.

**AVISO:** siempre tenga a la mano un extintor. Dé mantenimiento y revise su extintor con regularidad.

**No hay devoluciones en parrillas usadas**

## LISTA DE HERRAMIENTAS Y ACCESORIOS NECESARIOS

(No incluye herramientas)

Paquete de accesorios de sujeción: 551084 Llave de 11mm



Imagen del artículo	Descripción	CANT.
	Perno de cabeza hexagonal —6,3 mm (1/4")-20 x 1,27 cm (1/2")	24
	Tornillo para metales n.º 6	4
	Perno de cabeza hexagonal —6,3 mm (1/4")-20 x 5,08 cm (2")	8
	Perno de cabeza hexagonal —6,3 mm (1/4")-20 x 4,45 cm (1 3/4")	4
	Perno de cabeza hexagonal —6,3 mm (1/4") -20 x 3,17 cm (1 1/4")	4
	Tapabuje	2
	Perno de cabeza hexagonal recubierto con compuesto bloqueador azul — 6,3 mm (1/4") -20 x 1,9 cm (3/4")	8
	Perno de cabeza hexagonal—6,3 mm (1/4") -20	12
	Pasador de chaveta	2
	Arandela plana	4
	Gancho Para Utensilios	3

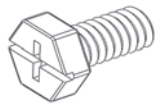
¡ALTO! ¡LLAME A



PRIMERO! NO DEVUELVA EL PRODUCTO A LA TIENDA.

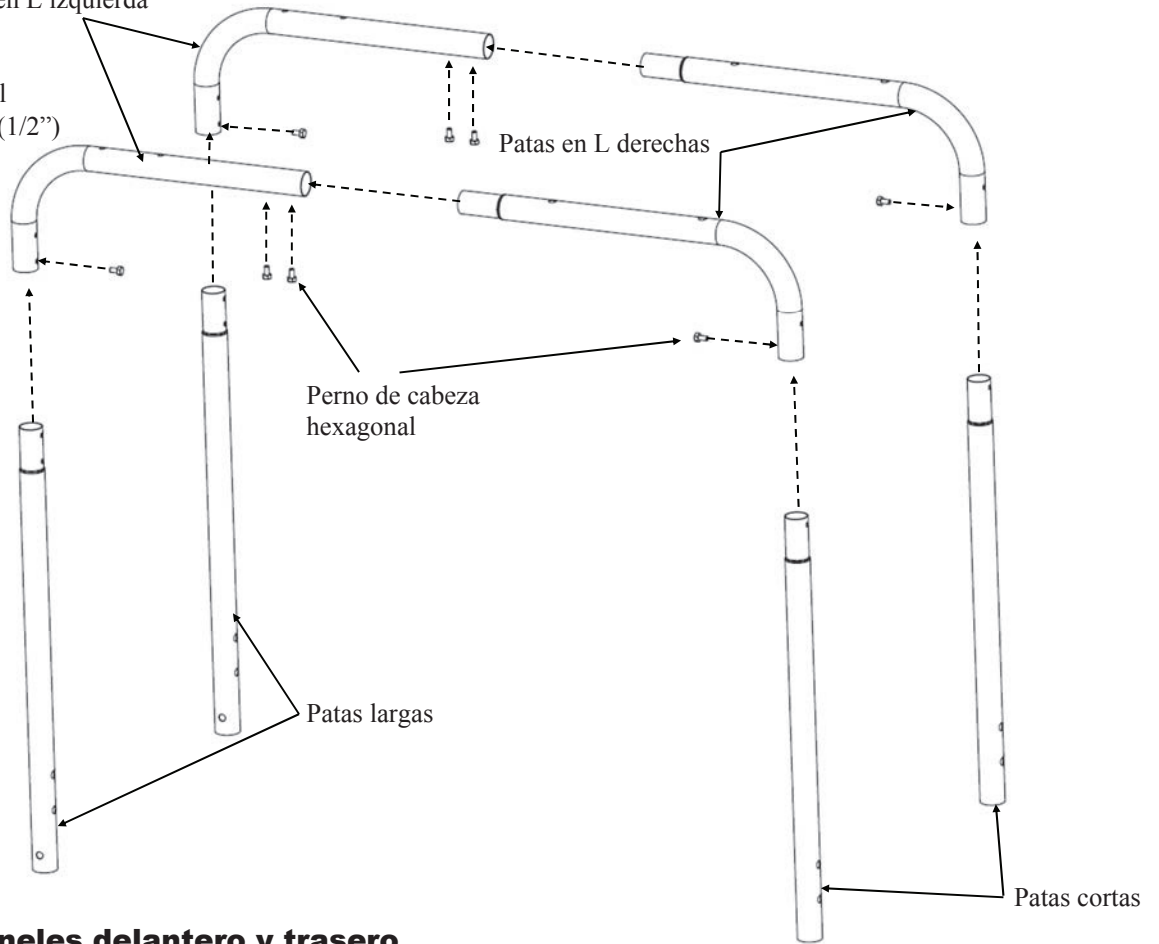
Cuando llame, tenga el número de serie de su parrilla (ubicado en la parte trasera del cuerpo de la parrilla o en la pata).

## Paso 1: Arme las patas



(8) Perno de cabeza hexagonal  
--6,3 mm(1/4")-20 x 1,27 cm (1/2")

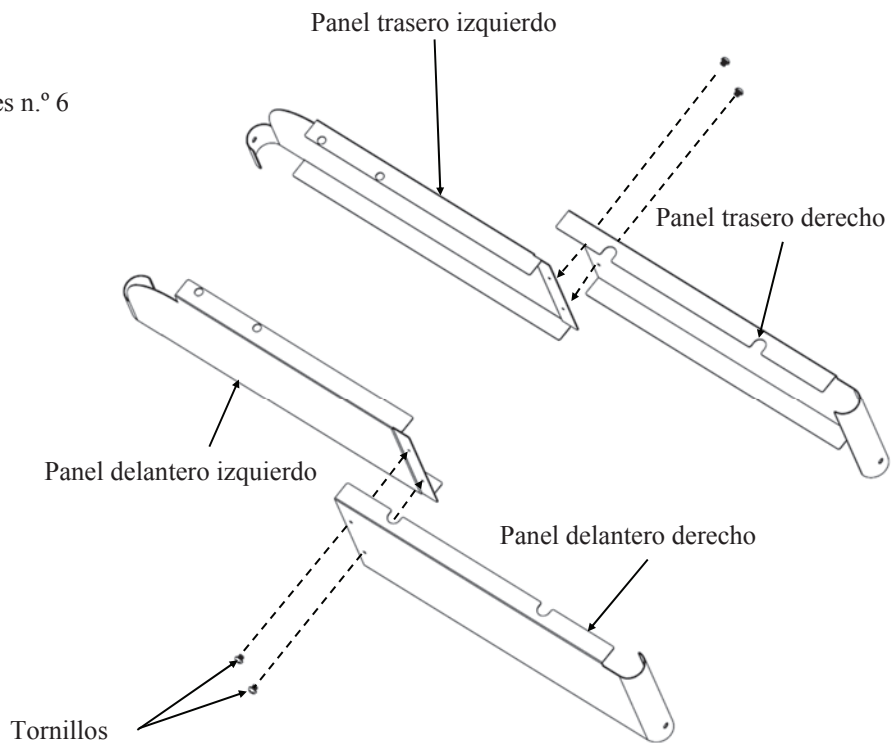
Patas en L izquierda



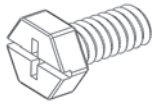
## Paso 2: Arme los paneles delantero y trasero



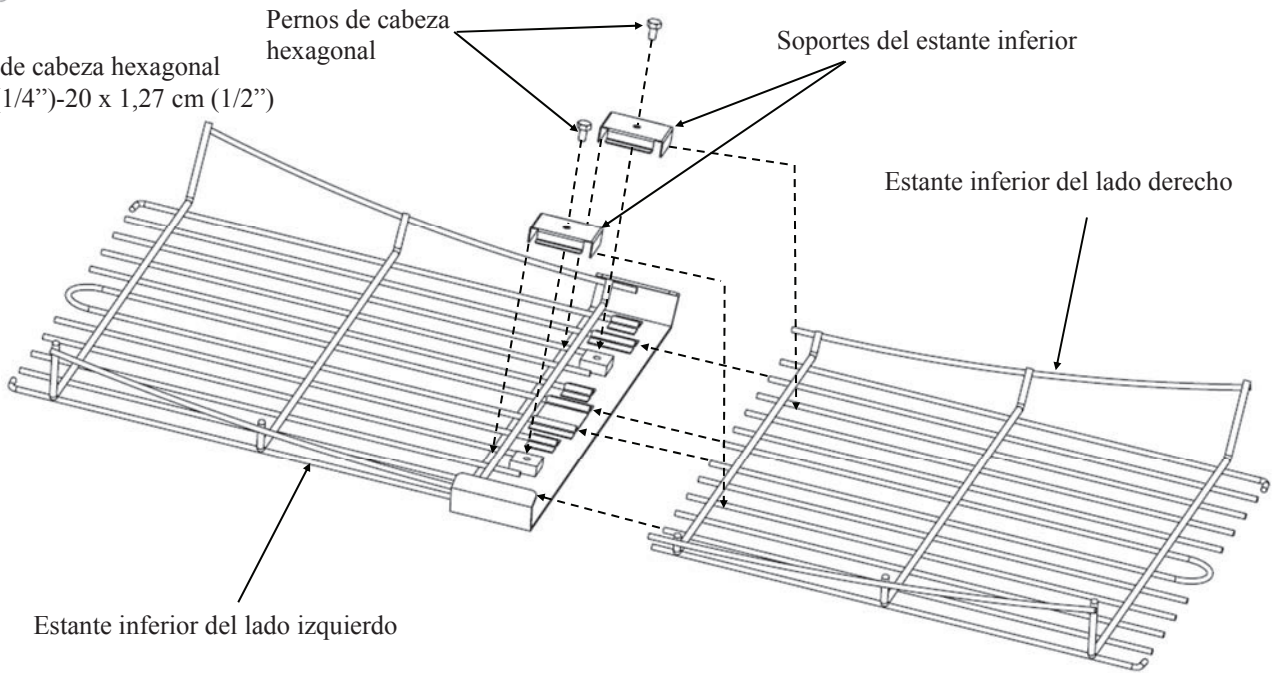
(4) Tornillo para metales n.º 6



### Paso 3: Arme el estante inferior



(2) Perno de cabeza hexagonal  
--6,3 mm(1/4")-20 x 1,27 cm (1/2")



### Paso 4: Una el estante inferior al conjunto de las patas

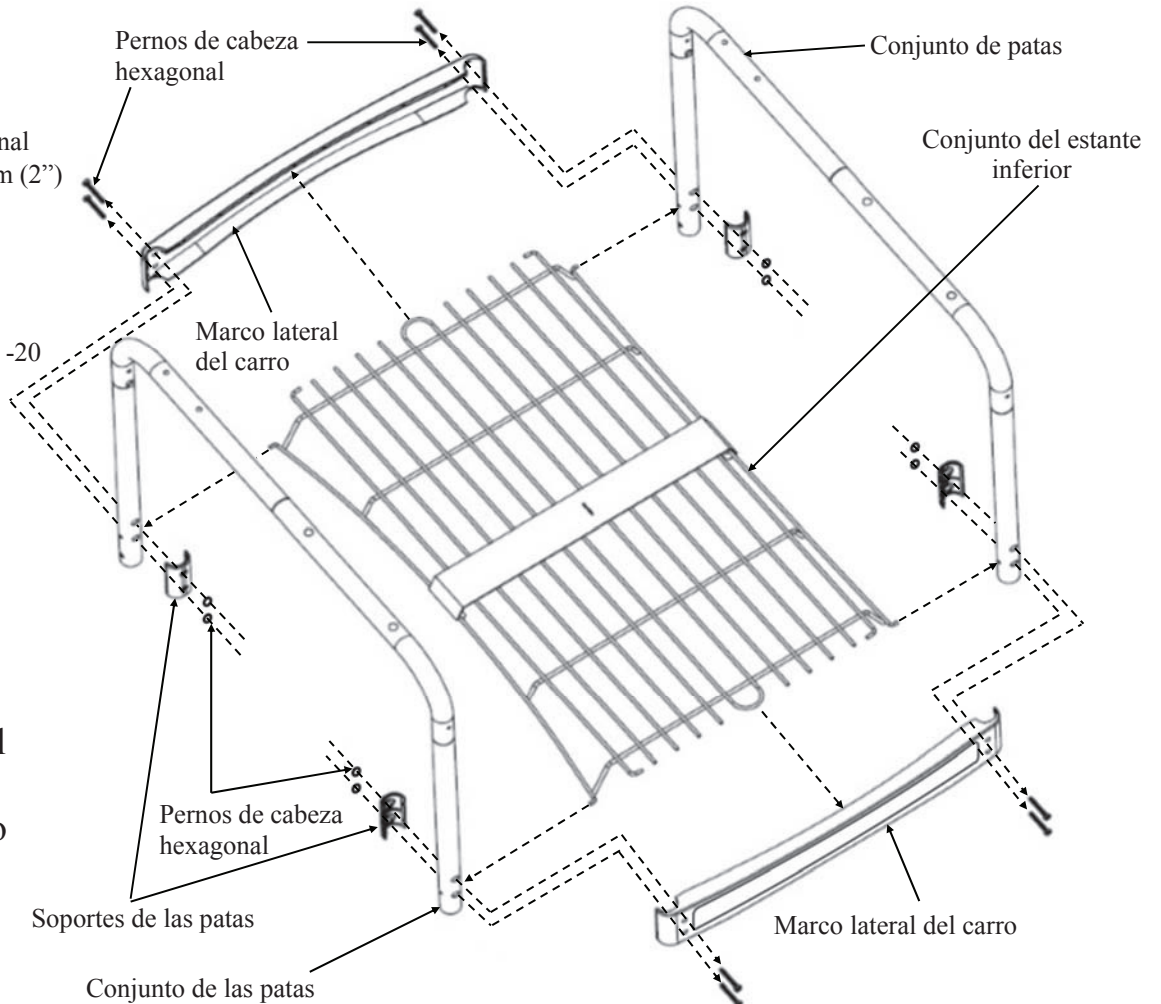


(8) Perno de cabeza hexagonal  
--6,3 mm(1/4")-20 x 5,08 cm (2")



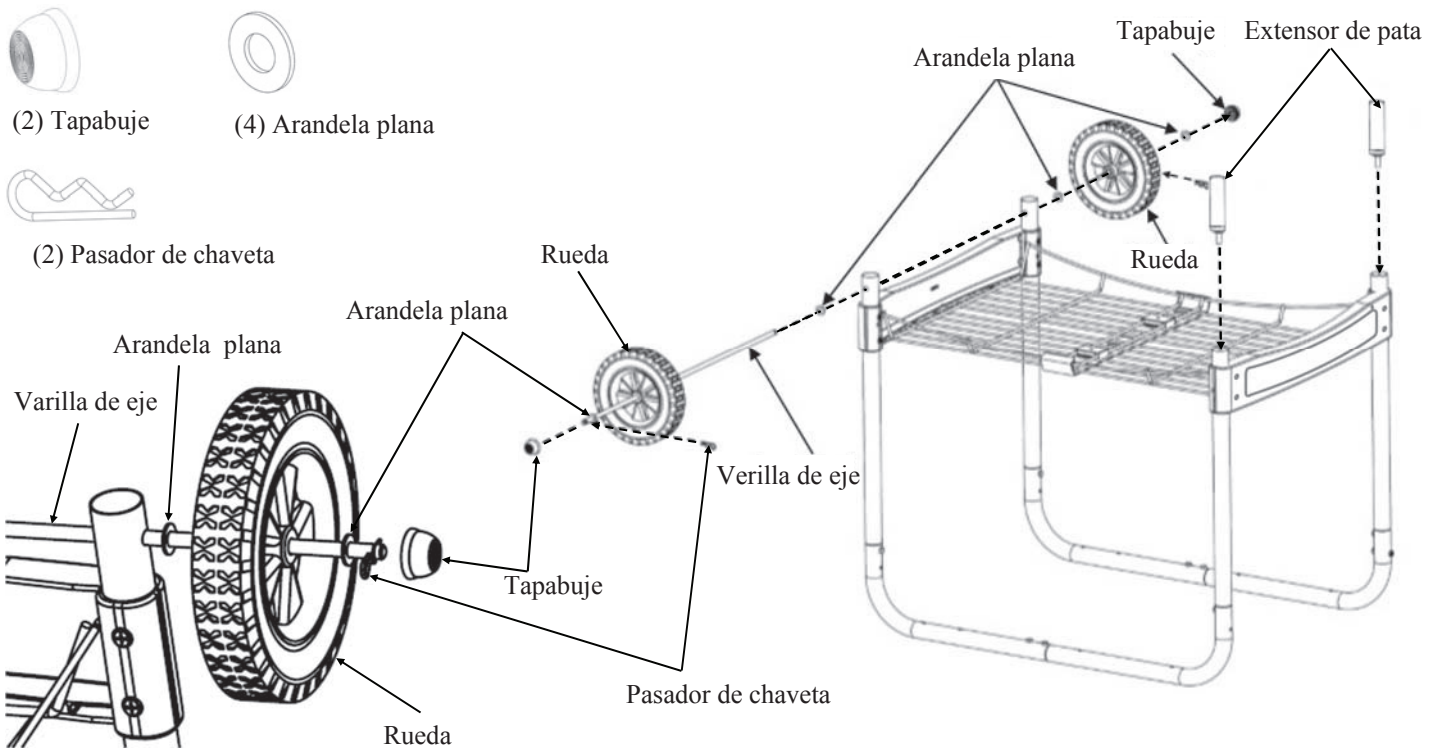
(8) Perno de cabeza hexagonal—6,3 mm (1/4") -20

NOTA: inserte el gancho de cada esquina del estante inferior en el orificio de cada pata. Luego fije los marcos laterales del carro y los soportes de las patas. El lado del soporte de pata que tiene dos ranuras va en la parte interior.

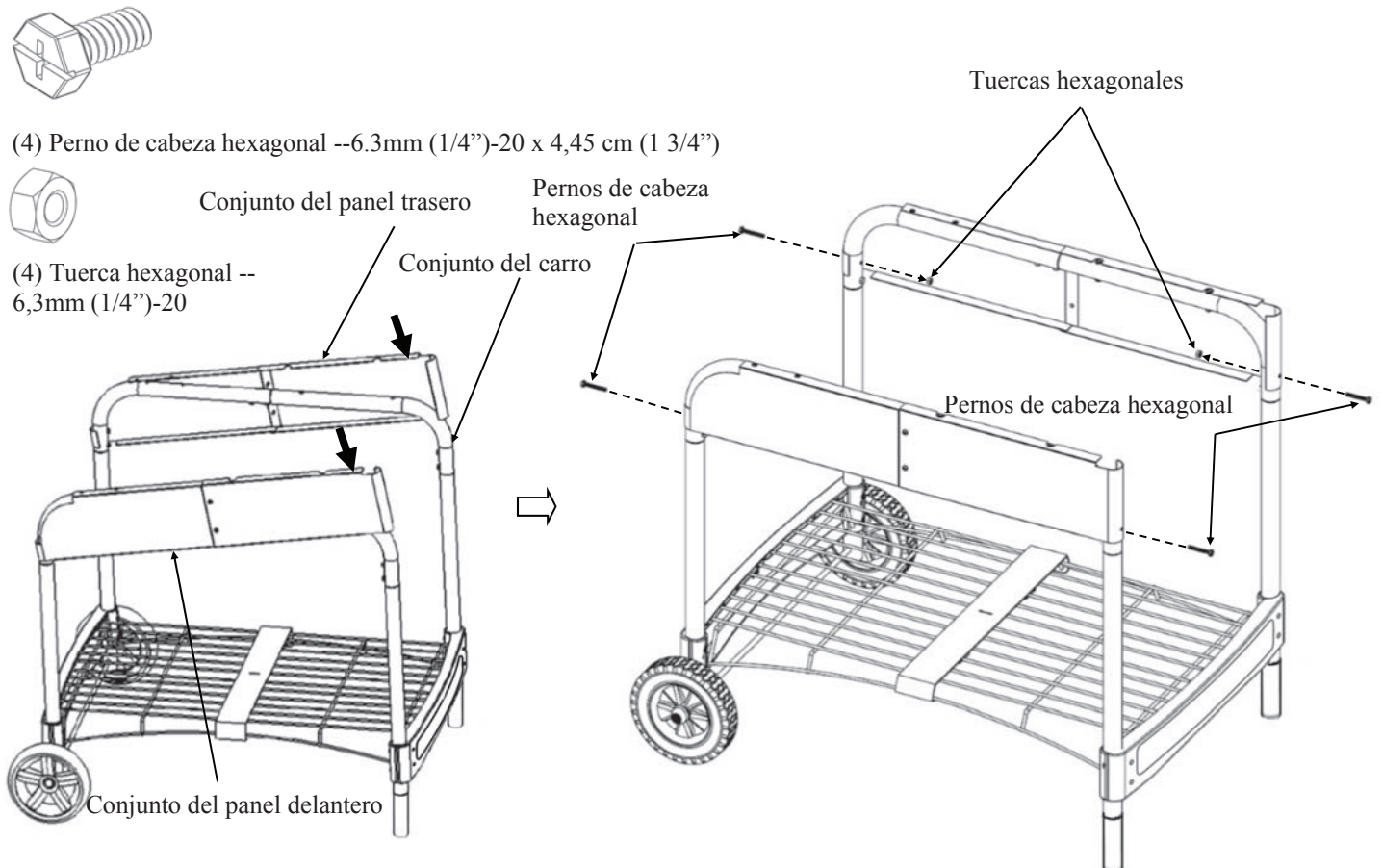




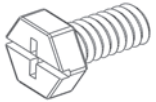
**Paso 5: Dé vuelta el carro de modo que quede patas para arriba y luego coloque las ruedas y las extensor de pata**



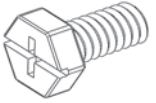
**Paso 6: Dé vuelta el carro de modo que quede el lado derecho hacia arriba e Instale los paneles delantero y trasero**



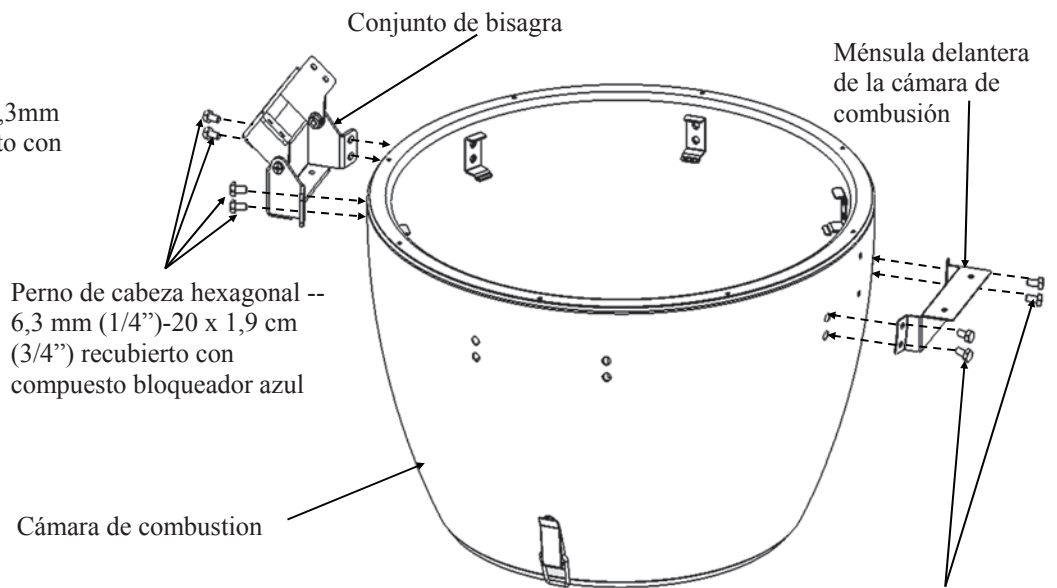
## Paso 7: Instale el conjunto de la bisagra y la ménsula delantera a la cámara de combustión



(4) Perno de cabeza hexagonal --6,3mm (1/4")-20 x 1,9 cm (3/4") recubierto con compuesto bloqueador azul



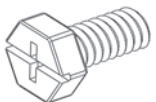
(4) Perno de cabeza hexagonal --6,3 mm (1/4")-20 x 1,27 cm (1/2")



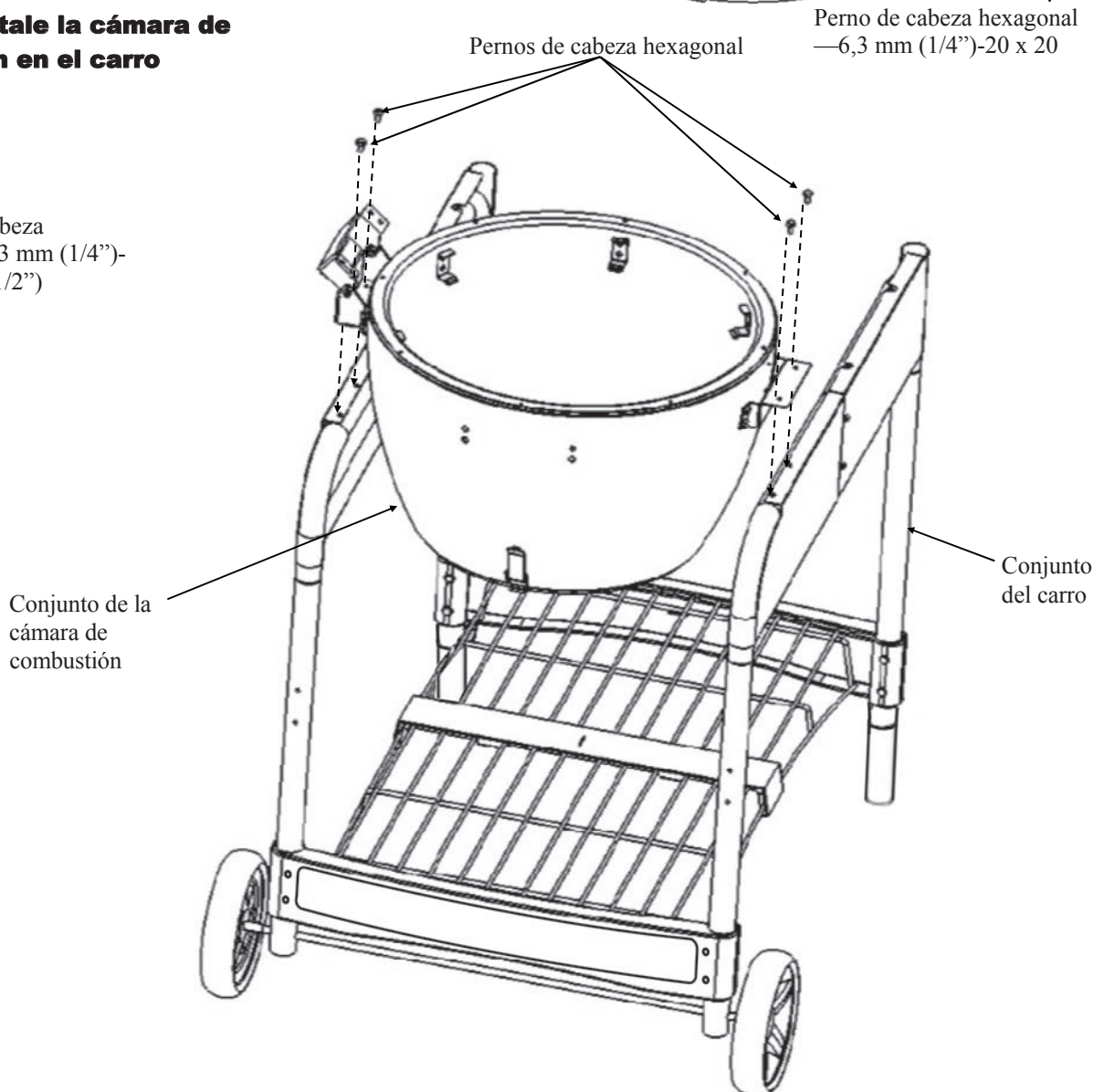
Perno de cabeza hexagonal --6,3 mm (1/4")-20 x 1,9 cm (3/4") recubierto con compuesto bloqueador azul

Cámara de combustión

## Paso 8: Instale la cámara de combustión en el carro



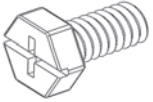
(4) Perno de cabeza hexagonal --6,3 mm (1/4")-20 x 1,27 cm (1/2")



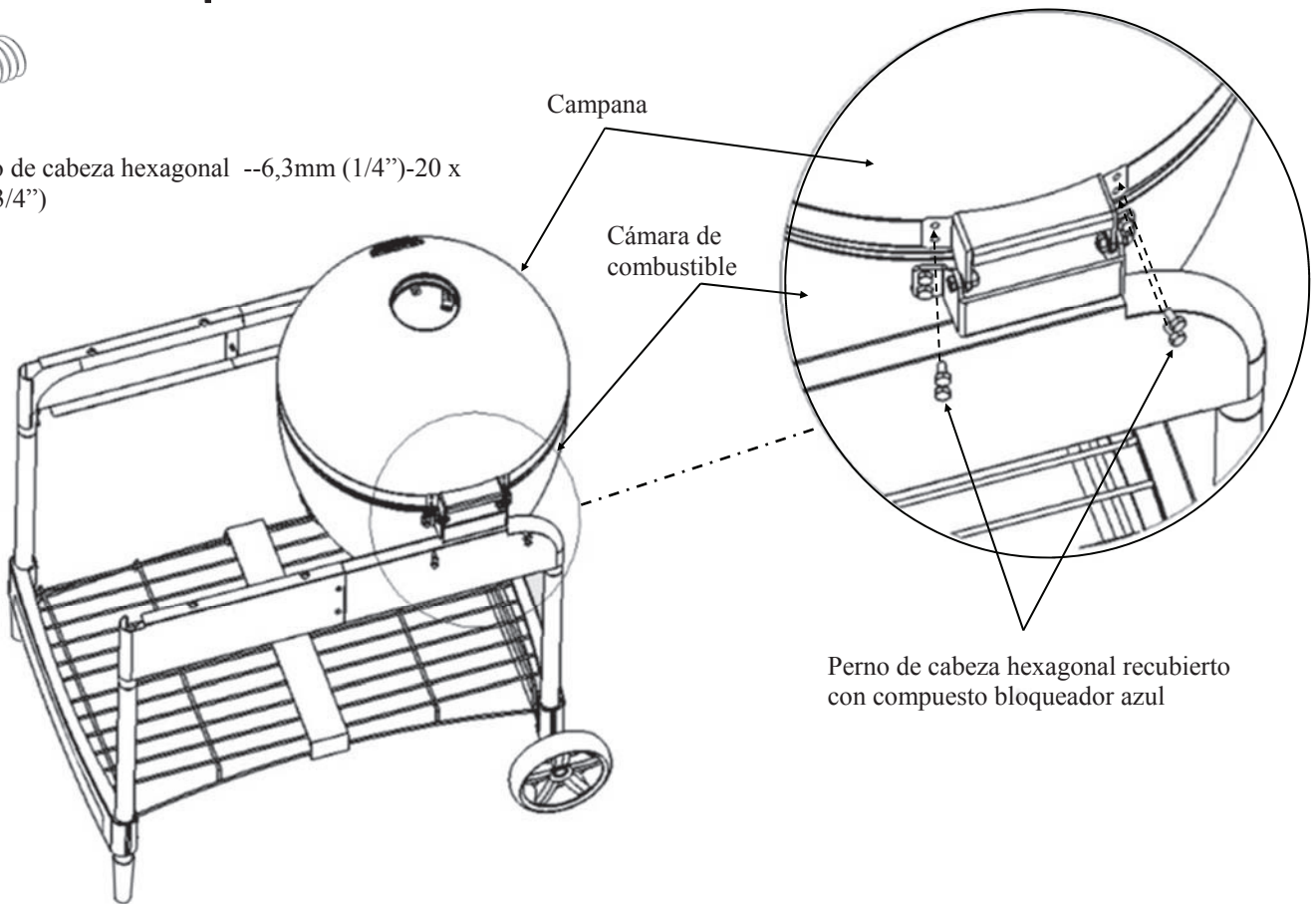
Conjunto de la cámara de combustión

Conjunto del carro

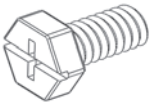
**Paso 9: Instale la campana en la cámara de combustión.**



(4) Perno de cabeza hexagonal --6,3mm (1/4")-20 x 1,9 cm (3/4")



**Paso 10: Coloque la manija en la campana.**



(4) Perno de cabeza hexagonal 6,3 mm (1/4")-20 x 1,27 cm (1/2")

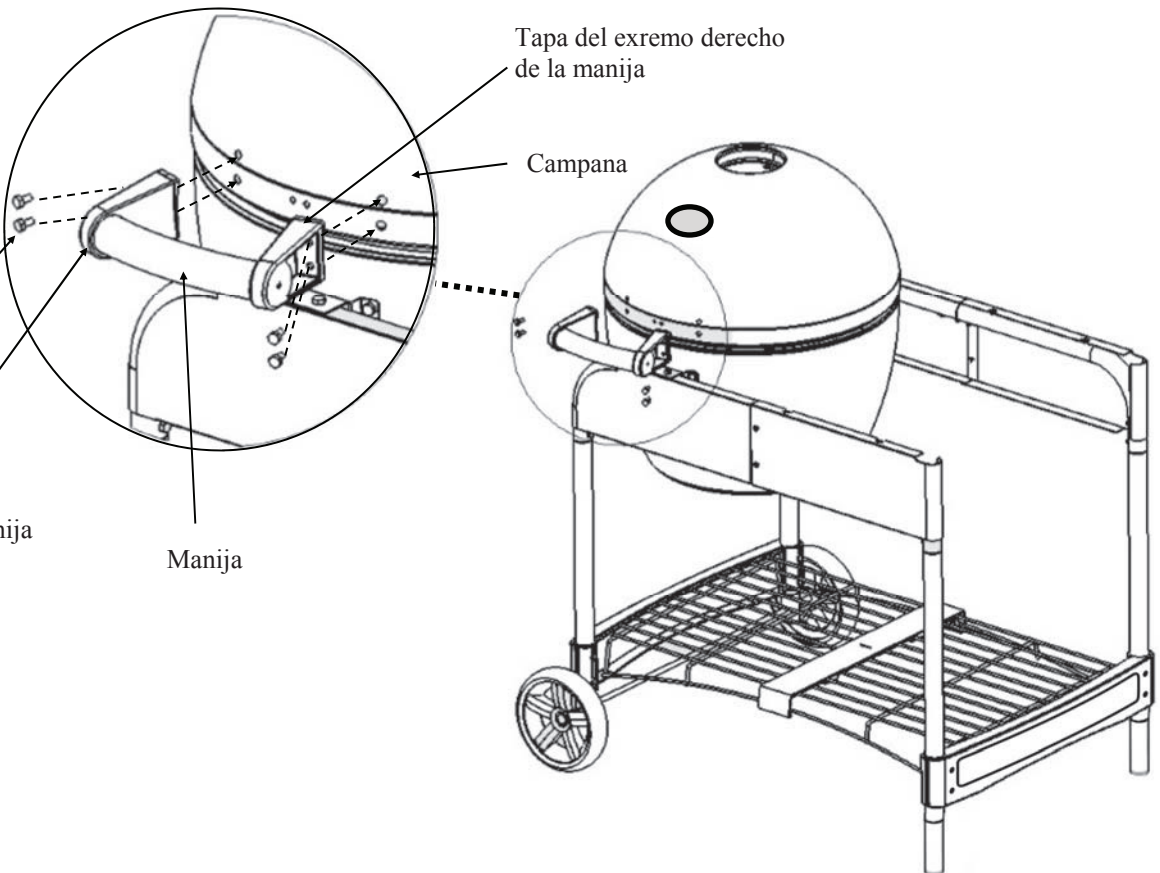
Perno de cabeza hexagonal

Tapa del extremo izquierdo de la manija

Manija

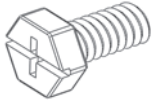
Tapa del extremo derecho de la manija

Campana

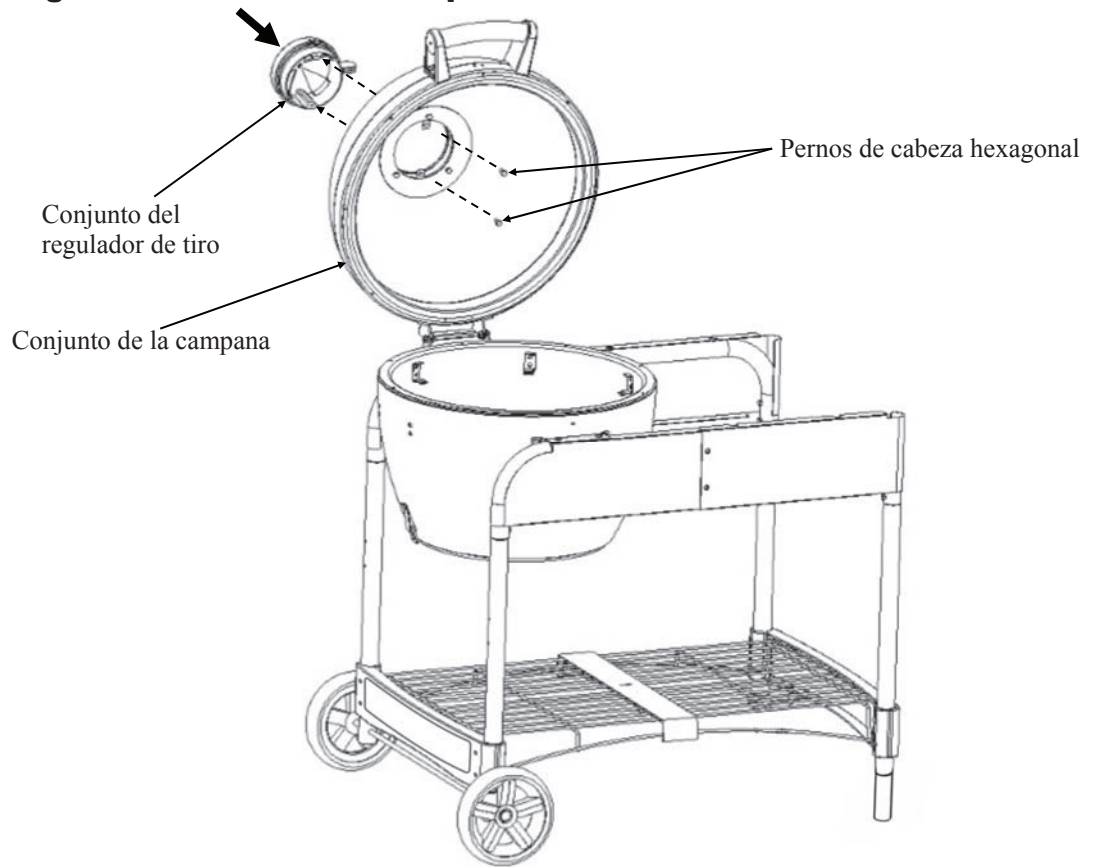




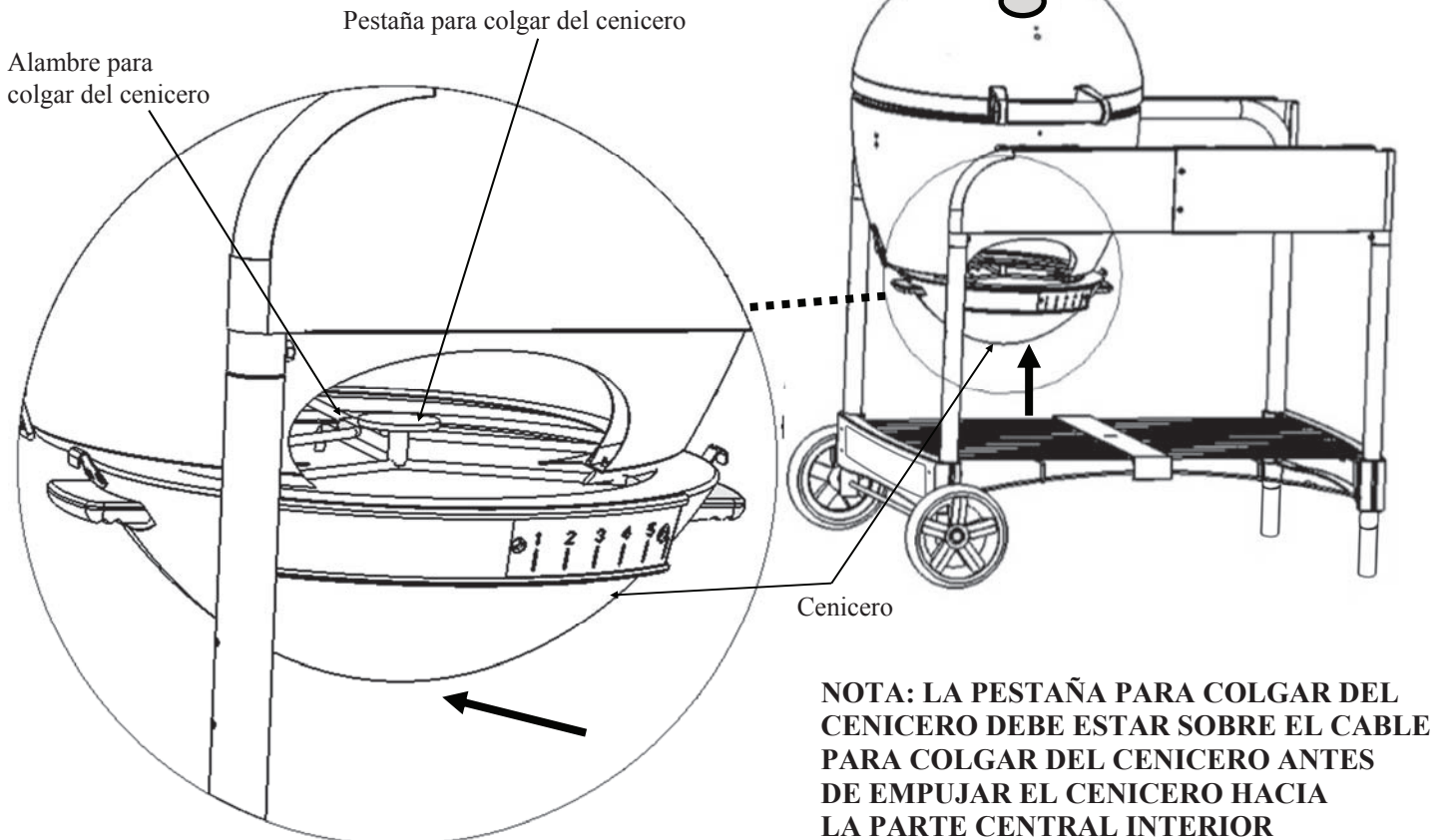
### Paso 11: Instale el regulador de tiro en la campana



(2) Perno de cabeza hexagonal --6,3 mm (1/4")--  
20 x 1,27 cm (1/2")



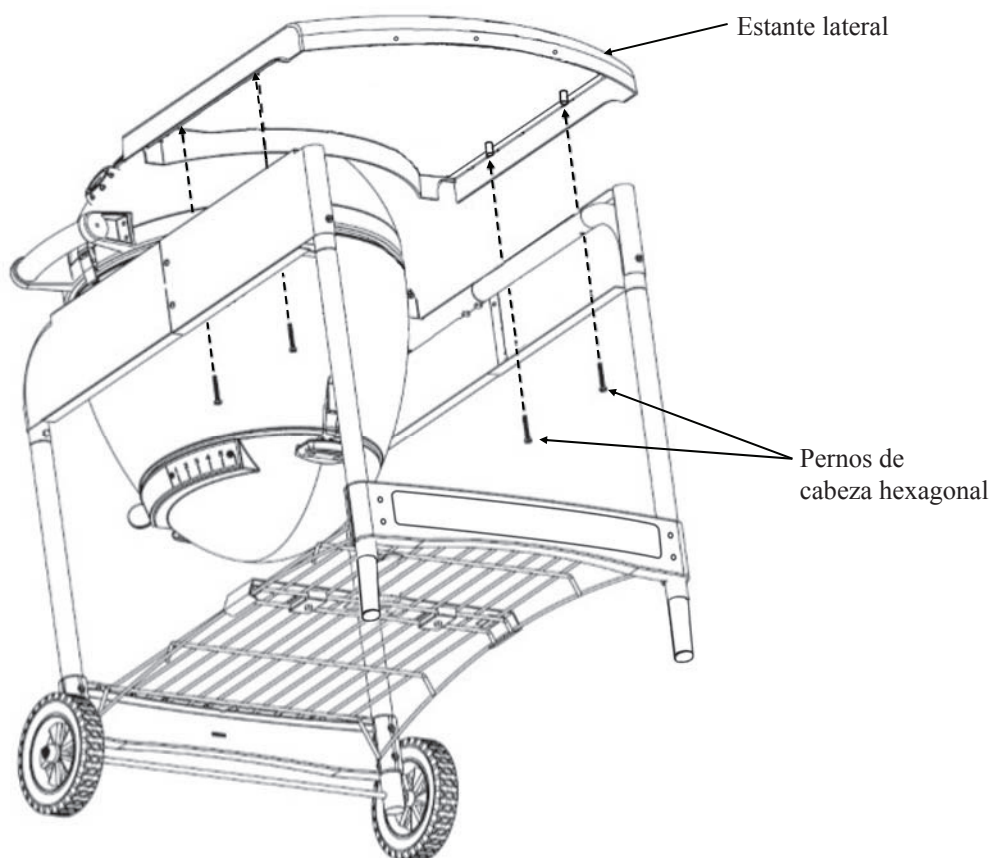
### Paso 12: Instale el cenicero en la cámara de combustión



### Paso 13: Instale el estante lateral en el carro



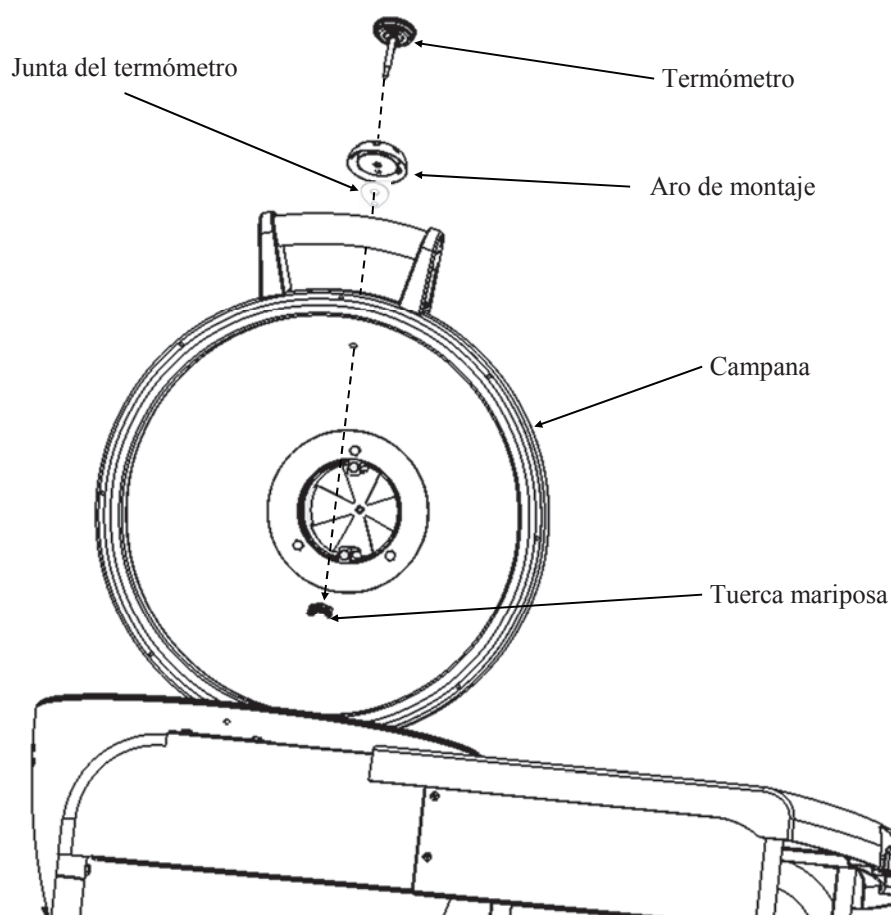
(4) Perno de cabeza hexagonal  
—6,3 mm (1/4")-20 x 3,17 cm  
(1 1/4")



### Paso 14: Instale el aro de montaje, el termómetro y la junta del termómetro



(1) Tuerca mariposa



**Paso 15: Instale el brasero, el emparrillado, las parrillas de cocción interna y externa**

Parrilla de cocción interna

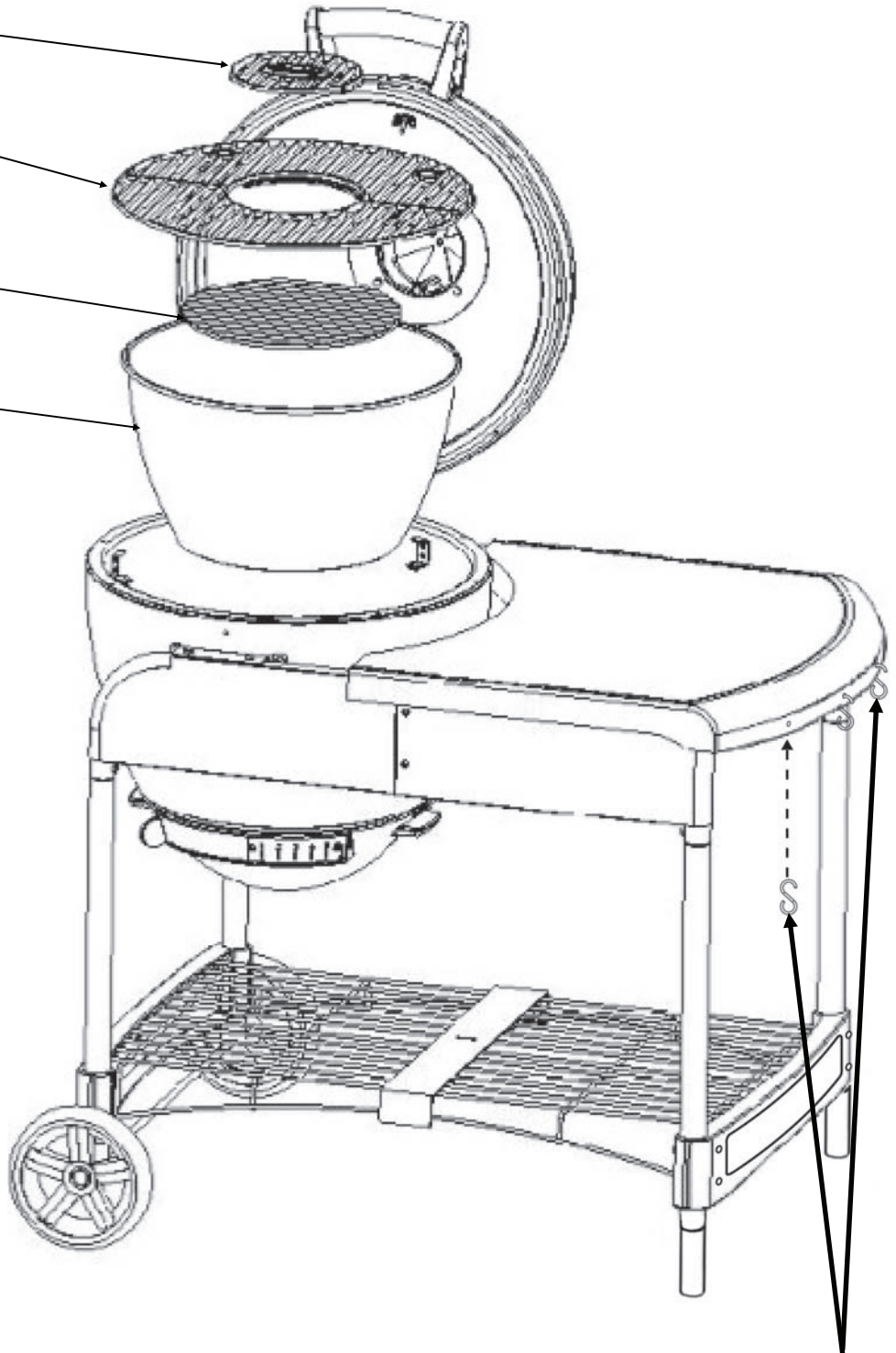
Parrilla de cocción externa

Emparrillado

Brasero



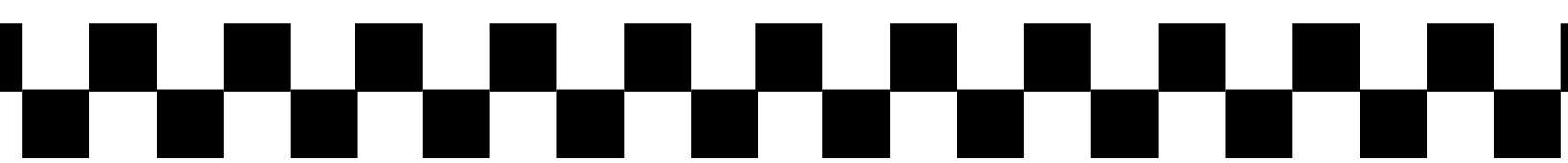
(3) Gancho Para Utensilios



Gancho Para Utensilios



**Esta Página Ha Sido  
Intencionalmente Ha Dejado  
En Blanco**



# INSTRUCCIONES OPERATIVAS

## Instalación del Equipo

Coloque la parrillera en una superficie plana y sólida, resguardada del viento. No mueva la parrillera mientras esté caliente y no la deje sin supervisión durante su operación.

Este equipo está diseñado para ser utilizado al aire libre, lejos de cualquier material inflamable. Es importante que no existan obstrucciones superiores y que haya una distancia mínima de 12 pies (366 cm) desde la parte lateral o trasera del equipo. Es importante que las aperturas de ventilación del equipo no sean obstruidas. La parrillera debe ser usada en una superficie nivelada y estable. Debe evitar la exposición del equipo a corrientes de aire; el equipo debe ser posicionado o protegido contra la penetración directa de agua que gotee (como por ejemplo, la lluvia).

**\*\* ATENCIÓN: LAS PARRILLERAS USADAS NO TENDRÁN DEVOLUCIÓN \*\***

## Curando y Preparando la Parrillera

**¡IMPORTANTE! ANTES DE UTILIZAR SU PARRILLERA POR PRIMERA VEZ, DEBERÁ CURAR LA REJILLA DE COCCIÓN DE HIERRO FUNDIDO.**

Es importante que cure su parrillera antes de comenzar a usarla. Curarla quemará el recubrimiento usado para proteger su parrillera durante el envío, y ayudará a proteger sus rejillas de hierro fundido de la oxidación mientras que las prepara para su uso.

1. Lave sus rejillas de cocción en agua tibia y jabonosa.
2. Enjuague abundantemente y seque completamente con una toalla. **NO DEJE SECAR AL AIRE. NUNCA COLOQUE SU REJILLA O NINGUNA PARTE DE SU PARRILLERA EN SU LAVAPLATOS.**
3. Una vez que su rejilla de cocción esté seca, aplique una cobertura de aceite o grasa vegetal en su rejilla de cocción, asegurándose de cubrir ambos lados minuciosamente.
4. Encienda un fuego mediano en la rejilla de carbón. Siempre coloque carbón encima de la rejilla de carbón y no directamente en el fondo de la parrillera. Para mejores resultados, le recomendamos usar carbón vegetal.
5. Una vez que se cubran de cenizas, distribuya los carbones, reemplace las rejillas de cocción, cierre la tapa y caliente a aproximadamente 400° F por una hora. Este proceso eliminará cualquier residuo remanente del envío y manufactura, como también curará su rejilla de cocción de hierro fundido.
6. El curado debe hacerse periódicamente para alargar la vida útil de su rejilla de cocción.

**Consejo: Limpie las rejillas mientras que estén tibias utilizando un guante y una pelota de papel de aluminio del tamaño de una pelota de béisbol.**

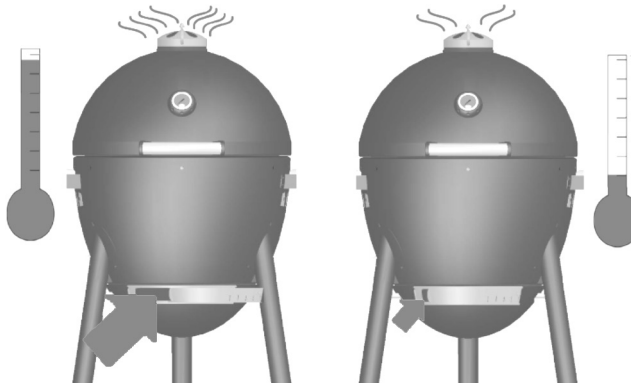




# Instrucciones de Encendido

Le recomendamos utilizar Carbón Vegetal porque no contiene aditivos ni rellenos, brindándole un encendido más eficiente, menos ceniza y comidas más sabrosas que con las briquetas de carbón.

1. Para encender un fuego con carbón, apila 3 libras de Carbón Vegetal (50-60 briquetas) en una pirámide en el centro de la rejilla de cocción.
2. Encienda los carbones en distintos lugares. Los iniciadores de fuego ayudan durante este paso. **NOTA:** No use gasolina, querosén o alcohol para encender el carbón. El uso de cualquiera de estos productos, o de similares, puede causar una explosión que posiblemente conlleve a graves lesiones.
3. Deje la tapa abierta hasta que los carbones enciendan, el humo sea blanco, y no existan llamas.
4. Luego de que los carbones enciendan, pero antes de que se tornen blancos, comience a regular la temperatura interna con las compuertas. (O, si lo desea, comience a asar.)



Temperatura (°F)	Tipo de Carne / Cocción	Compuerta Superior	Compuerta Inferior
200-225	Ahumado	●	▬
300	Tiras o Tenders de Pollo Hamburguesas y Costillas Asadas	◐	▬
325	Aves y Pechuga de Pavo	◐	▬
350	Cerdo y Carne Asada	●	▬
450+	Para Sellar Carnes	○	▬

● CERRADA ○ ABIERTA

## UN MAYOR FLUJO DE AIRE EQUIVALE A UNA MAYOR TEMPERATURA.

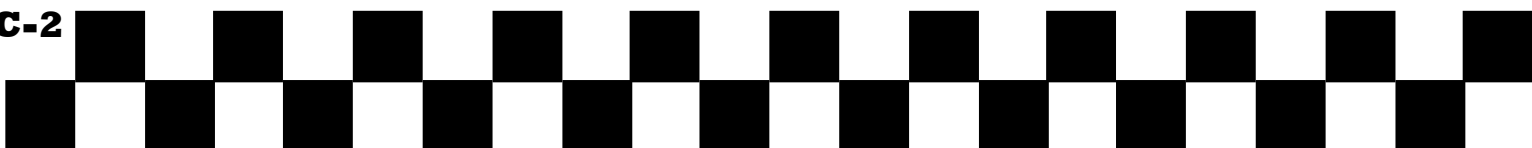
Utilice el gráfico anterior para controlar la temperatura en su parrillera AKORN

**NOTA:** No permita que la temperatura aumente más allá de la deseada, porque es más difícil bajar la temperatura que subirla.

SIEMPRE SIGA LAS INSTRUCCIONES Y ADVERTENCIAS DE LOS FABRICANTES DE FLUIDOS DE ENCENDIDO. UTILICE EXCLUSIVAMENTE EN EXTERIORES Y EN SUPERFICIES NO INFLAMABLES, AL MENOS A 12' DE MADERA Y MATERIALES INFLAMABLES.

## Uso de la Parrillera y Consejos

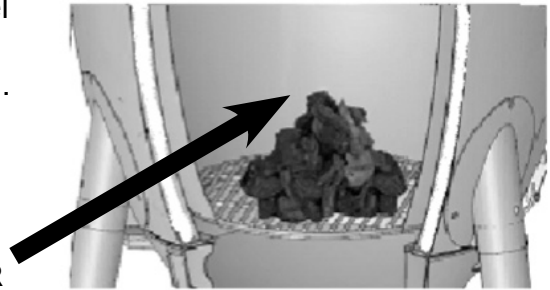
- Controle la temperatura por medio de la cantidad y tipo de combustible, con las compuertas duales y (opcional) la rejilla de carbón ajustable. La madera caliente más que los carbones y mayor flujo de aire equivale a mayor temperatura.
- Añada pedacitos de madera mojados para lograr un sabor ahumado.
- Las cenizas dejadas en el fondo por mucho tiempo, absorben humedad y oxidarán cualquier acero sin importar su grosor. Esta parrillera está hecha de hierro fundido y acero, lo que SE OXIDARÁ, ESPECIALMENTE SI NO SE LE DA EL CUIDADO REQUERIDO.
- No utilice carbón vegetal instantáneo ya que le aportará un sabor artificial a lo que cocine. Consuma completamente el fluido de encendido antes de cerrar la tapa.
- Luego de cada uso, cubra las rejillas internas con aceite vegetal para reducir la oxidación.



## **Para asar y ahumar a BAJA TEMPERATURA, LENTA Y PROLONGADA COCCIÓN (200° a 350° F)**

Use aproximadamente 1 libra de CARBÓN VEGETAL del tamaño de un ratón de computadora o de mayor tamaño para generar un fuego en el centro de la rejilla de carbón. Comience el fuego según lo descrito anteriormente. Cuando el carbón encienda, CIERRE LA PUERTA comience a regular la temperatura con las compuertas hasta el ajuste deseado.

**Pila pequeña de carbón en la PARTE SUPERIOR para fuegos de menor temperatura**

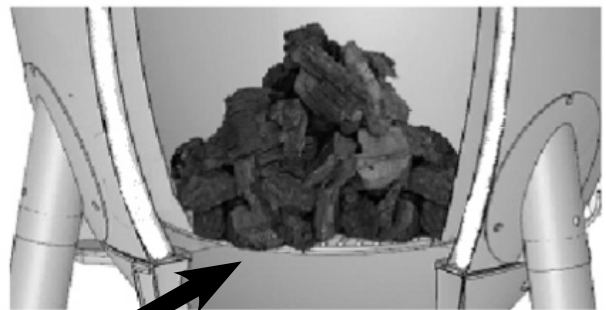


y

## **Para SELLAR y asar a ALTA Temperatura (350° a 650° F)**

•Use aproximadamente 2-3 libras de PEDAZOS DE CARBÓN VEGETAL del tamaño de una pelota de golf, para generar un fuego en el centro de la rejilla de carbón. Encienda el fuego según lo descrito anteriormente. Cuando el carbón se encienda, CIERRE LA PUERTA y comience a regular la temperatura con las compuertas hasta el ajuste deseado.

**Pila pequeña de carbón en la PARTE INFERIOR para fuegos de alta temperatura**



## **Para Ahumar:**

1. Siga las instrucciones para una cocción de menor temperatura (menor o igual a 350° F).
2. Pre-humedezca las virutas de madera por 35 minutos. Humedezca los pedazos por 1 ½ hora o hasta que la madera se sature completamente.
3. Luego de que la parrillera haya alcanzado la temperatura deseada, esparza dos puñados de virutas de madera humedecida o pedazos sobre los carbones vegetales encendidos.
4. Permita que las virutas comiencen a arder, cerrando la tapa.
5. Puede comenzar la cocción luego de pocos minutos. Las virutas humedecidas pueden añadirse luego al fuego, de ser necesario.

## **Medidor de Temperatura:**

Este medidor de temperatura tiene una precisión de +/- 10% de la temperatura real. Le sugerimos que verifique esto con su horno. Si requiere un control más preciso de temperatura, se recomienda el uso de un termómetro para carnes.

**NOTA: El humo puede escapar de áreas distintas a la chimenea. Esto no debería afectar la cocción.**

NUNCA EXCEDA LOS 700°F. ESTO DAÑARÍA EL ACABADO Y CONTRIBUIRÍA A LA OXIDACIÓN. LA PINTURA NO ESTÁ CUBIERTA POR LA GARANTÍA Y REQUERIRÁ DE RETOQUES. ÉSTA UNIDAD NO TIENE GARANTÍA CONTRA LA OXIDACIÓN.



## Finalizando

Cuando termine de cocinar en la parrillera, podrá apagarla cerrando ambas compuertas y permitiendo que el fuego se sofoque. Sea paciente. Esto tomará un hora o más.

### Vaciado de Cenizas:

**\*\*SÓLO VACÍE LAS CENIZAS MIENTRAS LA PARRILLERA NO ESTÉ EN USO\*\***

Luego de que el fuego esté completamente apagado, deberá esperar varias horas para vaciar las cenizas, asegurando que ya no están calientes y no existe peligro de quemaduras.

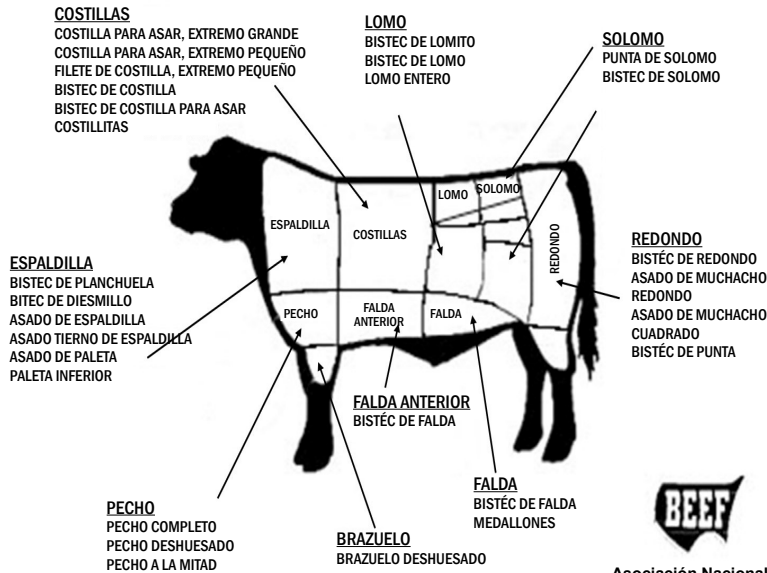
1. Tumbé cualquier ceniza que no haya caído al recipiente de cenizas de la rejilla de carbón. (Si encuentra pedazos de carbón parcialmente quemados en la rejilla de carbón, puede guardarlos para la próxima vez. Todavía funcionan).
2. Golpee los lados del recipiente para soltar cualquier ceniza que pueda estar en los lados.
3. Retire el recipiente de cenizas del fondo de la parrillera, y deslícelo hacia el frente.
4. Golpee ligeramente el recipiente de cenizas para soltar cualquier ceniza que pueda permanecer pegada.
5. Coloque las cenizas en un contenedor de metal y cubra con agua para garantizar que no se encuentren brasas encendidas; luego podrá eliminar las cenizas.

**IMPORTANTE: El carbón es poroso y conserva la humedad. NO deje carbón en su parrillera cuando no la utilice. El carbón y cenizas dejados en recipiente de cenizas pueden reducir la vida útil de su parrillera.**

# RECETAS PARA COCINAR A LA PARRILLA

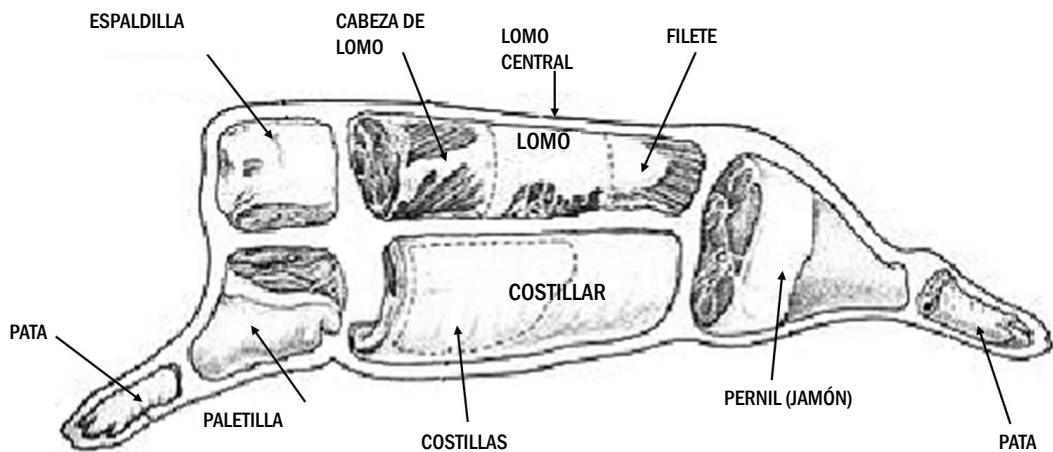
## Conozca sus Cortes de Carne

### CORTES DE RES



Asociación Nacional de Ganaderos  
444 North Michigan Avenue  
Chicago, Illinois 60611  
(312) 467 5520

### CORTES DE CERDO





## **CONSEJOS PARA ASAR CON AKORN® (Calor Directo Sobre Carbones)**

- Deje la tapa de la parrillera abajo mientras cocina para eliminar las llamaradas y para una cocción pareja.
- Agregue virutas de madera para mayor sabor. Cuando ahúme, remoje las virutas en agua por 40 minutos, antes de colocarlas en la parrilla.
- Los termómetros de carne indican la temperatura interna de cocción media, tres cuartos o bien cocida. Cuando pruebe la temperatura, inserte el sensor en la parte más gruesa de la carne.
- Si utiliza un termómetro digital ALÁMBRICO, sugerimos que pase el cable del sensor por la compuerta superior para que no deba abrir la tapa para leer la temperatura de la carne. Abrir la tapa agrega tiempo extra para el ahumado.
- La sobre cocción seca la carne.
- Los ajustes en las compuertas aumentan o disminuyen la temperatura. Recuerde, mayor flujo de aire significa mayor temperatura.
- AJUSTE SENCILLO DE TEMPERATURA: Abra la compuerta inferior y sólo ajuste la compuerta superior. Abrir o cerrar la compuerta superior ¼" generalmente ajusta la temperatura por 25°F.
- Para bajar la temperatura: Cierre ambas compuertas y abra la tapa intermitentemente para liberar el aire caliente. Adicionalmente, usted puede rociar a mano un poco de agua fría en los carbones para reducir la temperatura rápidamente.
- Cerrar ambas compuertas luego de cocinar extinguirá el fuego y conserva carbón para la próxima.
- El CARBÓN VEGETAL EN TROZOS es recomendado como combustible porque arde rápidamente, se calienta más, es más limpio, agrega sabor, deja menos cenizas, es durable (18 a 24 horas) y puede usar menos cantidad de carbón en trozos que briquetas.
- Para evitar los sabores artificiales en sus comidas, no utilice fluido para encendido. Más bien, utilice un encendedor eléctrico o encendedores de parrillas.
- Cuando cocine a altas temperaturas, abra la tapa lentamente o abra la compuerta superior 10 segundos antes de abrirla para evitar llamaradas o bolas de fuego.
- Lleve las carnes a temperatura ambiente antes de cocinar.
- Cuando encienda un fuego, luego de que los carbones están encendidos pero antes de que se pongan blancos, puede cerrar la tapa y comenzar a regular las compuertas para controlar la temperatura interna.

### **BISTECS**

- Elimine el exceso de grasa y aplique hierbas secas a cada lado de los bistecs.
- Selle bistecs de 1 ½ pulgadas en la AKORN® sobre los carbones por 2 a 3 minutos a 650°F.
- Voltee los bistecs y ase por 2 a 3 minutos más.
- Voltee los bistecs, cierre la compuerta superior e inferior y deje que los bistecs permanezcan en la parrillera por 3 o 4 minutos más antes de sacarlos.
- Las temperaturas internas de la carne son: 145°F - Medio Cruda; 160°F -Término Medio; 170°F -Bien Cocida.

### **Condimento de hierbas secas:**

- Mezcle 1/8 taza de sal kosher
- ¼ cda pimienta blanca
- 1/8 cda pimienta de cayena
- 1 cda pimienta negra
- Aplique a ambos lados

### **Marinada para Bistecs:**

En un recipiente de vidrio, mezcle:

- ½ taza de aceite vegetal o de oliva
- 1/3 de taza de salsa de soya
- ¼ de taza de vinagre de vino tinto
- 2 cds de jugo de limón
- 1 cda de mostaza seca
- 1 diente de ajo picado
- 1 cebolla pequeña picada
- ¼ de cda de pimienta

Coloque la carne en la marinada y refrigere por 3 horas.

## **HAMBURGUESAS:**

Ase hamburguesas de ½ lb de la misma manera que los Bistecs **EXCEPTO...** que debe asar por 2 minutos antes de voltear.

**Hamburguesa “Especial” Char-Griller:** Para una hamburguesa especial, mezcle la hamburguesa con Meat Magic®, salsa inglesa (worcestershire) salsa de tomate o ketchup, sal kosher, pimienta molida, cebollas picadas y deje macerar por 20 minutos a temperatura ambiente.

### **MARINADA PARA HAMBURGUESAS (¡o cualquier carne!):**

- ¼ taza de salsa de soya
- 2 cebollas grandes finamente picadas
- 2 dientes de ajo
- Coloque en una licuadora eléctrica; tape, licúe a alta velocidad por un minuto o hasta que la mezcla esté suave.
- Mezcle ¼ de taza de salsa gravy (Kitchen Bouquet® o Gravy Master®)
- 2 cucharaditas de sazónador Beau Monde (o sustituya por 1 cucharadita de MSG y una cucharadita de sal sazónada).
- Permita que la carne se marine a una temperatura ambiente por 2 horas o refrigere hasta 24 horas en un plato cubierto.
- Espere que llegue a temperatura ambiente antes de cocinar.

## **COSTILLAR DE CORDERO:**

Un típico costillar de cordero posee 8 huesos y pesa 1 1/2 a 2 libras. Una costilla de cordero es perfecta para dos personas. Una gran inversión pero también una fantástica comida. La parte inferior tiene un pedazo grueso y redondo de carne, que es como un asado fino y largo en la costilla. Una vez cortada, es como una pequeña chuleta de cerdo. Pídale a su carnicero que retire la piel fina del exterior del costillar y que corte el espinazo para un más fácil corte.



### **Preparación:**

- Envuelva los largos huesos que salen de la costilla en papel de aluminio (para evitar la formación de una costra). No cocine en exceso o a muy altas temperaturas, ya que estos huesos pueden quemarse y desmenuzarse. Mantenga los huesos hacia arriba, lejos del fuego colocándolos en una rejilla en forma de “U”.
- Retire los pedazos sueltos de grasa. Seque con papel absorbente y condimente con mostaza, sal, pimienta y ajo.
- Selle rápidamente sobre fuego caliente a 500°F por 3 minutos en cada lado, luego baje la temperatura y/o coloque el costillar en el lado de la rejilla con menor temperatura para permitir que se ase la parte central. Esto permite que se forme una costra caramelizada perfecta y se mantenga el centro tierno y jugoso.
- Cierre la tapa y permita que cocine por otros cinco minutos.
- Revise la temperatura interna a medida que se vaya cocinando. No sobre cocine. El cordero estará poco cocido a 120°F; y medio cocido a 150°F.
- Retire de la parrillera y envuelva en papel de aluminio por 10 minutos antes de cortar (esto se llama, “reposar”). El costillar continuará cocinándose e incrementará unos grados la temperatura en su interior mientras reposa.
- Para cortar el costillar de cordero, levántelo sobre la parte de la carne con los huesos alejados de usted.
- Corte suavemente hacia abajo con un cuchillo filoso, entre los huesos y a lo largo de la carne. Debería ver los huesos a lo largo del corte en la parte trasera del costillar.

### **POLLO (Requiere un Asado más Lento):**

- Primero, corte y retire el hueso central del pollo.
- Aplaste la pechuga presionándola hasta que el cartílago se rompa.
- Frote aceite de oliva sobre el pollo y rocíe con tomillo, perejil, salvia, romero, sal y pimienta.
- Ase con la piel abajo por aproximadamente 17 minutos a 350°F o hasta que la piel esté tostada;
- Voltee y ase por aproximadamente 28 minutos o hasta que la temperatura interna sea 160°F.

### **MARINADA PARA POLLO:**

- Combine 1/2 taza de salsa de soya
- 1/4 taza de aceite vegetal
- 1/4 taza de vinagre de vino tinto
- 1 cucharita de orégano
- 1/2 cucharadita de albahaca
- 1/2 cucharadita de ajo en polvo
- 1/4 cucharadita de pimienta
- Agréguelo sobre piezas de pollo en un plato no metálico.
- Cubra y refrigere por una noche, volteando ocasionalmente. Utilice la marinada para bañar al pollo mientras se cocina.

### **SALMÓN ASADO EN TABLA DE CEDRO:**

- Remoje las tablas de 3 a 4 horas antes de cocinar. Frote el salmón con aceite de oliva, condimento dizzy pig raging rub y limón.

- Prepare la AKORN® a 425°F
- Coloque la tabla en la parrillera. Una vez que comience a ‘agrietarse,’ coloque el salmón en la parrillera (por 5 minutos).
- Para filetes gruesos de salmón, calcule 10-13 minutos para que el pescado comience a ‘desmenuzarse’.

## **MAZORCAS DULCES EN HOJAS:**

- Elimine el exceso de barbas de las puntas y remoje en agua salada fría una hora antes de asarlas.
- Ase por 25 minutos, volteándolas varias veces.

## **CODORNICES O PALOMAS:**

- Cubra las aves en aderezo italiano y marínelas durante la noche.
- Vierta el aderezo restante y cubra con Salsa Picante Texas Pete® Hot Sauce por 6 horas.
- Envuelva las aves en tocino grueso y asegúrelas con un mondadientes.
- Colóquelas en la parrilla. Voltéelas hasta que el tocino se tueste.
- Áselas por 20 minutos. Dore con la tapa abierta a ALTA temperatura (500-700°F) por 1 minuto en cada lado antes de cerrar la tapa y disminuir la temperatura.

## **BROCHETAS:**

- Alternar en las brochetas cualquier combinación de carnes, cebollas, tomates, pimentones verdes, champiñones, calabacines, una rodaja de maíz sancochado o piña. La carne consiste en pedazos de camarones, vieiras, langostas, pollo, salchichón, cochino, ternera, etc.
- Marine la carne en el refrigerador por algunas horas.
- Ase cada lado por 7 minutos aproximadamente, volteándolo ocasionalmente mientras lo bañas con la marinada.  
Deje un espacio entre cada pedazo para una cocción más rápida.
- Ase con la tapa arriba y la rejilla de fuego en su posición más baja. Vea la receta de la marinada en la última página.

### **Marinada para Brochetas:**

- 1 una taza de salsa de soya
- ½ taza de azúcar morena
- ½ taza de vinagre
- ½ taza de jugo de piña
- 2 una cda de sal
- ½ cda de ajo en polvo
- Mezcle todos los ingredientes en una olla y lleve a ebullición.
- Permita que la marinada se enfríe antes que marine la carne con ella.
- Marine la ternera en la mezcla por lo menos 4 horas.

## **CAMARONES (Pelados) y LANGOSTA:**

- Coloque en brochetas.
- Cubra con mantequilla derretida y ajillo con sal.
- Ase por 4 minutos en cada lado o hasta que estén rosados. La salsa Cóctel es opcional.





## PAPAS AL HORNO:

- Frótelas con mantequilla y envuelva en papel de aluminio. Áselas con la tapa abajo por 50 minutos.
- Voltéelas luego de 25 minutos (no es necesario hacerlo si están ahumadas).
- Pinche para revisar su cocción.

## CONSEJOS PARA AHUMAR CON AKORN® (Calor Indirecto)

- Ahúme por largos tiempos a temperaturas entre los 200° y 350°F.
- Ajuste las compuertas a las temperaturas deseadas. Recuerde, mayor entrada de aire significa mayores temperaturas.
- Se recomienda el carbón en trozos más que las briquetas.
- Coloque varias capas de carbón en la parrillera con virutas remojadas (remójelas de 40 minutos a 3 horas) mezcladas o sobre los carbones para un sabor a madera en la carne.
- Use menos carbón en trozo del que usaría en briquetas.
- Para cocciones lentas (250 a 350°), comience un fuego pequeño y enciéndalo con un encendedor en la cima de la pila de carbones.
- Encienda la pila de carbón en la parte inferior para temperaturas altas. Es más fácil para calentar, pero más difícil para bajar su temperatura.
- Lleve la carne a temperatura ambiente antes de cocinar, use un termómetro para determinar la cocción.

## Calor Indirecto

### TIEMPOS DE COCCIÓN



Alimento	Peso	Ahumado en Bandeja de Agua		Temperatura en Termómetro de Carne
Asado de Carne	3-4 Lb.	1-1.5 horas	4-5 horas	140°F poco cocido
Asado de Ovejo, Venado	5-7 Lb.	1 1/2 a 2 1/2 horas	5-6 horas	160°F término medio
Grandes pedazos de caza	7-9 Lb.	2 1/2 a 3 1/2 horas	7-10 horas	170°F bien cocido
Asado de Cerdo	3-4 Lb.	1 1/2 a 2 1/2 horas	5-6 horas	170 °F
	5-8 Lb.	2 1/2 a 3 horas	7-8 horas	170 °F
Costillas de Res/Cerdo	Parrilla completa	1 1/2 a 2 horas	4-6 horas	La carne se separa del hueso
Chuletas de Cerdo	Parrilla completa	3/4 a 1 1/4 horas	4-6 horas	La carne se separa del hueso
Chorizos y embutidos	Parrilla completa	2 a 2 1/2 horas	4-5 horas	170°F para embutidos frescos
Pernil, Fresco	10 Lb.	3 a 4 horas	7-8 horas	170°F
Pernil, Cocido	Todos los tamaños	1 1/2 a 2 horas	3-4 horas	130°F
Pollo, cortado o separado	1-4 bandejas	1 a 1 1/2 horas	4-5 horas	180°F/el muslo se mueve fácilmente en la unión
Pollo, completo	1-4 bandejas	1 1/4 a 1 1/2 horas	5-6 horas	180°F/el muslo se mueve fácilmente en la unión
Pavo, sin relleno	8-12 Lb.	1 1/2 a 2 1/2 horas	7-8 horas	180°F/el muslo se mueve fácilmente en la unión
Pescado, pequeño y completo	Parrilla completa	1/2 a 3/4 hora	2-3 horas	Se separa con el tenedor
Pescados, filetes, milanesas	Parrilla completa	1/4 a 1/2 hora	1-3 horas	Se separa con el tenedor
Pato	3-5 Lb.	1 a 1 3/4 hora	5-6 horas	180°F/el muslo se mueve fácilmente en la unión
Pequeñas aves	Parrilla Completa	3/4 a 1 hora	4-5 horas	180°F/el muslo se mueve fácilmente en la unión

## **PALETA DE CERDO o VENADO (con hueso, 6/9 lb):**

- 1 taza de BBQ comercial y/o inyecte profundamente los condimentos de su elección a la carne.
- Frote el condimento dentro de la carne hasta que esté húmeda.
- Envuelva en film de cocina y coloque en el refrigerador de 3 a 5 horas.
- Cocine la paleta por 18 hrs a 235°F o hasta que la temperatura interna alcance los 200°F.
- Retire, envuelva dos veces en papel de aluminio y deje reposar por unos 30 minutos antes de separarlo.

## **COSTILLITAS DE CERDO:**

- Retire la membrana al color la punta del termómetro de carnes entre la membrana y el hueso cerca del final del costillar.
- Suelte la membrana y retírela.
- Lave las costillas bajo agua fría.
- Aplique el condimento en todos los lados y déjelo reposar a temp. ambiente por 30 minutos.
- Ahúme por 1½ hr a 325°F.
- Retire la carne de la parrillera y unte con la salsa de BBQ miel.
- Coloque la carne en una bandeja para costillas dentro de un molde de aluminio con 1" de jugo de manzana.
- Cubra con papel de aluminio y cocine 1 hora a 325°F o hasta que la temperatura interna del cerdo alcance: 160°F para tres cuartos; 170°F para bien cocido; Inserte un mondadientes.
- Retire y sirva.

### **Salsa Char-Griller para costillas:**

- 1 taza de su condimento deshidratado BBQ favorito
- 1 taza de miel
- 1 ½ taza de jugo de manzana
- 2 tazas de salsa BBQ miel
- Mezcle y unte sobre las costillas.

## **ASADO DE COSTILLA:**

### **Preparación:**

- Utilice un costillar de 4 lb
- Frote los condimentos sobre todo el costillas
  - 1 cda paprika
  - 3 cds ajo machacado
  - 2 cds salsa inglesa (worcerstershire)
  - 2 cds ablandador Adolph
- Agregue sal y pimienta al gusto.
- Coloque la carne en una bandeja en forma de "V".
- En una cacerola, mezcle: 1 taza de sal gruesa, 1 cda de harina, 1 clara de huevo, 1 cda de agua
- Coloque el asado en la cacerola, y unte la superficie del asado con la mezcla de sal/harina.

Nota: Si lo desea, use un paño para queso para sujetar la sal en la superficie del asado.



### **Direcciones de Cocción:**

- Sobre la bandeja de goteo y sin agua, coloque el asado dentro de una bandeja para asar.
- Cocine el asado por 15 min por libra a 500 - 525°F para un término de medio crudo
- Introduzca el termómetro de carne en el asado durante los últimos 30 minutos de cocción: 145°F para crudo, 160°F para término medio, 175°F para bien cocido.
- Cuando termine la cocción, retire el asado y permita que repose descubierto por 10 minutos.
- Rompa la costra de sal del asado y retire. La sal estará quebradiza y debe rasparse de la carne.
- Deje reposar por 5 minutos, corte y sirva.

### **Salsa Au Jus:**

- En un sartén o recipiente poco profundo de 10" coloque de 4 a 6 trozos pequeños de asado junto con 3 a 4 cucharadas de agua.
- Revuelva y caliente a temperatura media hasta que el agua se torne oscura y viscosa con los trozos de asado.
- Añada de 1 a 2 tazas de agua e incremente la temperatura del sartén.
- Cuando el agua comience a hervir, añada 2 cucharaditas de cubitos de carne de res.
- Revuelva hasta que los cubitos se disuelvan completamente.
- Retire del fuego, cuele para quitar cualquier pedazo de asado usado para dar sabor y sirva.

## **COSTILLAS DE CARNE: (Con hueso)**

La punta más pequeña suele ser más jugosa (2 costillas = 4 personas)

- Las más pequeñas de la punta suelen ser más jugosas (2 costillas = 4 personas)
- Condimente la costilla con ajo, pimienta, condimento de BBQ y envuelva en plástico y deje reposar por al menos una hora.
- Coloque la bandeja de goteo abajo para recoger líquidos.
- Selle el exterior para obtener una costra o si prefiere, cocine a 350° cada 8 lb por 3 hrs.
- Retire antes de que la costilla esté cocida, envuelva en papel de aluminio y deje reposar por 10 minutos.

## **PAVO o POLLO ENTERO:**

Use hasta 15 lb de Pavo u 8 lb de Pollo.

- Coloque el ave verticalmente (hacia arriba) en un escurridor en la bandeja de goteo. También puede colocar el ave horizontalmente en una bandeja de carne en forma de "U".

NOTA: Lo ideal es usar el accesorio opcional de la Piedra para Ahumar AKORN® para este método. Simplemente retire la rejilla de cocción y coloque la piedra para ahumar directamente sobre el fuego. Esto proporciona calor indirecto, manteniendo la carne jugosa y ofrece mayor espacio para cocinar cortes de carne más grandes.

- Aplique condimento seco comercial, sal y pimienta en toda el ave y bajo la piel de la pechuga en el pescuezo y en la cavidad.
- Llene la bandeja de goteo con dos tazas de caldo de pollo, vino, agua, apio España y cebolla.
- Cocine aprox. cada libra por 12 minutos a una temperatura de 325°F hasta que la temperatura interna de la carne sea 160°F.
- Utilice el líquido de la bandeja de goteo para hacer gravy de carne.

## **PAVO AHUMADO:**

- Vacíe la cavidad de enjuague y seque con toalla de papel.
- Pliegue las puntas de las alas dentro de la espalda y una los muslos de pierna entre sí.
- Colóquelos directamente en el centro de la parrilla de cocción directamente sobre papel de aluminio sobre la bandeja de goteo.
- Ahúme cada onza por doce minutos. Permita algunos minutos extra por onza si están rellenos para permitir se expanda.
- Use el termómetro de carne para mejores resultados (170°F en la parte interna).

## **JAMÓN AHUMADO COCIDO:**

Usted puede ahumar jamón enlatado cocido o ahumar y curar jamón entero o una porción.

### **Glaseado**

- 1 taza de azúcar morena dietética, bien compacta
- 1/2 taza de jugo de naranja
- 1/2 taza de miel
- Combine azúcar, jugo y miel. Deje que se glaseé por lo menos por 4 horas.
- Coloque la rejilla de fuego en la posición más baja y una bandeja de goteo bajo la carne.
- Remueva la corteza y saque la grasa diagonalmente para darle un efecto de diamante.
- Inserte un diente de ajo en el centro de cada diamante.
- Coloque el jamón con la grasa hacia arriba en el centro de la rejilla de fuego directamente sobre la bandeja de goteo. Cierre la tapa.
- Se sugiere lo haga por 9 minutos la onza para jamones bien cocidos. Para jamones ahumados o curados, que no estén totalmente cocidos, deberían ser cocidos hasta temp. interna de 160°F.
- Vierta glaseado de jamón 3 o 4 veces durante los últimos 30 minutos de tiempo de cocción.
- Aderece con rodajas de piña 15 minutos antes de terminar el tiempo de cocción.

## **PERROS CALIENTES AHUMADOS RELLENOS:**

- Corte los perros calientes diagonalmente, a 0.6 centímetros en cada punta.
- Rellene los perros calientes con queso y salsa de pepinillos y envuelva en tocineta.
- Coloque en una rejilla de cocción sobre la bandeja de goteo y ahúme por 15 a 20 minutos o hasta que el tocineta este crujiente.

## **PIEZAS Y MITADES DE POLLO AHUMADO:**

- Enjuague las piezas en agua fría y seque con toalla de papel.
- Cepille cada pieza con aceite vegetal y sazone al gusto con sal y pimienta.
- Dore las piezas de pollo directamente sobre los carbones con la tapa abierta y la rejilla en posición alta o media por algunos minutos.
- Luego coloque las piezas sobre la rejilla de cocción directamente sobre la bandeja de goteo.
- Con la rejilla en la posición baja con la tapa abajo por 55 a 60 minutos o hasta que esté cocido. No use aceite vegetal o sal y pimienta si usan la marinada.



## **VERSIÓN AHUMADA:**

### **Marinada para Venado:**

- Una taza de vinagre Balsámico o de vino
- 1 una taza de aceite de oliva
- 2 oz. de salsa inglesa (Worcestershire)
- 1/2 oz. de salsa Tabasco
- 2 cucharaditas de Sazonador
- 1-2 jalapeños cortados
- 3 oz. de salsa de soya

### **Marinada de Tocineta**

- 2 onzas de vinagre de vino
- 2 onzas de Salsa Inglesa (Worcestershire)
- 4 toques de Tabasco
- Coloque muslos de venado en un contenedor o “bolsas grandes” y la marinada por 2 a 4 días, volteándolos a diario. Marine la tocineta de un día a otro en su salsa marinada.
- Saque el asado del refrigerador por lo menos una hora antes de llevarlo a cocción.
- Sazone generosamente con sal sazónada y pimienta molida gruesa.
- Envuelva 1 lb. de tocineta sobre la superficie del asado y ahúme por 20/25 min/lb o hasta que se ablande. No sobrecosa.

## **CAMARONES Y LANGOSTAS AHUMADAS:**

- Mezcle en una bandeja de aluminio 1/2 taza de mantequilla, dos dientes de ajo triturado, Tabasco, pimentón verde picado, 1 cda. de cebolla molida, sal y jugos de un limón.
- Añada el camarón y/o el cangrejo y ahúme por 45 minutos.

## **VEGETALES AHUMADOS:**

- Nabos, papas, zanahorias, quingombó, champiñones, cebollas peladas, calabacín, calabaza, etc.
- Coloque en bandeja y cubra con agua y cocine por varias horas hasta que se la carne esté lista. O coloque vegetales en la parrilla y ahúme por 50 minutos, envuelto o no en papel de aluminio.

## **PESCADO AHUMADO:**

- Marine en salmuera (1/4 de taza de sal disuelta en cuatro tazas de agua) o marine el pescado en una taza de vino blanco, 1 taza de salsa de soya mezclada con 1 taza de jugo de limón.
- Marine en el refrigerador desde la noche anterior en un plato cubierto.
- Permita que se aire 20 minutos antes de colocarlo en la plancha cubierta con grasa.
- Ahúme por 25 minutos.

## **COSTILLAS TRASERAS AHUMADAS:**

- Elimina la capa dura de la piel en la parte trasera.
- Frota todas las superficies con el sazónador.
- Coloca las costillas en el centro de la rejilla y sobre la bandeja y ahúma por aproximadamente hora y media o hasta que la carne se separe del hueso.
- Bañe con salsa barbacoá durante los últimos treinta minutos.

# HORNEAR en la AKORN®

Hornee pizza, pan, pan de maíz, galletas y tartaletas. Recomendamos que compre los accesorios de la Piedra para Ahumar Smokin' Stone™ y/o la Piedra para Hornear/Pizza para mejores resultados. La piedra permite que se elimine la humedad desde la masa, lo que resulta en costras livianas y tostadas.

## PIZZA DE DESAYUNO HORNEADA:

- Comience ahumando tocino en la AKORN®.
- Revuelva 4 a 5 huevos en la cocina o utilice un sartén de hierro fundido y hágalos en la AKORN®.
- Mientras se cocinan los huevos, cocine varias tazas de hash browns.
- Haga o compre 1 jarra (aprox. 10 oz) de gravy blanco.
- Utilice una masa de pizza precocida y estire una capa de gravy encima.
- Mezcle los hash browns, huevos y tocinos en un bol y colóquelos en la masa de pizza.
- Rocíe queso y más gravy.
- Cocine a 450°F por aproximadamente 13 minutos.

## PIZZA CASERA DE 12 pulgadas:

**Salsa:** 1 cda aceite de oliva, 1/2 cebolla pequeña picada, 1 diente de ajo, 1 lata de 15 oz. de tomates, 1 rama de orégano fresco, 1/2 cda de azúcar, 1/2 cda de sal kosher, 1/8 cda de pimienta molida.

**Masa:** 1½ taza de agua tibia, 2 cdas de aceite de oliva, 2 cdas de sal kosher, 3 x ¾ tazas de harina de trigo, ½ taza de maicena, 2 cdas de azúcar, 2 cdas de levadura instantánea.

## Preparación

### Salsa:

- Caliente el aceite en un sartén de 1-1/2 qt. Cocine la cebolla y ajo hasta que estén suaves y traslúcidos, por tres minutos. Mezcle según sea necesario.
- Agregue los tomates, triturándolos ligeramente, y el jugo Quite el tallo del orégano y córtelo fino.
- Agregue orégano y azúcar. Hierva, mezclando ocasionalmente por 20-30 minutos, hasta espesar. Agregue sal/pimienta.

### Masa

- Compre masa lista, O
- Coloque los ingredientes en el orden listado en la máquina para hacer pan. Use el ciclo para pizza. Para usar inmediatamente, mueva a la Lámina para pizza, o coloque en un bol aceitado, tapa y colóquelo en el refrigerador hasta que esté listo para ser usado.

### Pizza

- Agregue la salsa y otros ingredientes (si lo desea) a la masa.
- La pizza puede ser horneada de dos maneras: 1) Precaliente la parrillera a 650°. Piedra húmeda para pizza, coloque la pizza en la piedra y cocine por 6 minutos. 2) Si la parrillera no puede alcanzar altas temperaturas, precaliente a 350° y cocine por 15-20 min (hasta que dore).
- Repose por 5 minutos, ¡y disfrute!. La pantalla para pizza ayudará a mover la pizza a la parrillera.

# ACCESORIOS



## **Piedra para Ahumar**

Circula el aire alrededor de la carne y protege la carne de llama y calor directo. Realza el sabor y la ternura de la carne

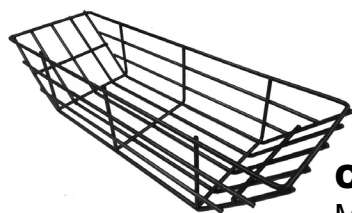
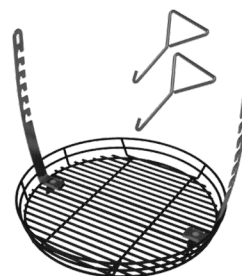


## **Cubierta AKORN**

Cubierta a la medida y resistente al clima, para proteger su parrillera de los elementos

## **Rejilla de Cocción Ajustable**

Para un control preciso de la temperatura (Caliente, Medio y Bajo)



## **Cesta para Carbón**

Mantiene los Carbones a un Lado para Ahumar Cocción Indirecta



## **Piedra para Pizza**

Circula el aire alrededor de la masa. Usado para hornear, pizzas u otras comidas delicadas



## **Delantal**

Lavable a Máquina  
Dos Bolsillos Delanteros  
Tiras Ajustables



## **Encendedor de Rápida Liberación para Chimeneas**

Fácil encendido con liberación de gatillo patentada  
Mango de ABS para protegerle del calor  
Acero galvanizado  
Permite encender la parrillera a carbón rápida y fácilmente

**Para obtener información de precios o  
para ordenar accesorios, visite:**

**[www.CharGriller.com](http://www.CharGriller.com)**



**LLAME AL: 912-638-4724**



**P.O. Box 30864  
Sea Island, GA 31561  
912-638-4724  
[www.CharGriller.com](http://www.CharGriller.com)  
[Service@CharGriller.com](mailto:Service@CharGriller.com)**

