



ITEM#: PG1202S

Generator OPERATOR'S MANUAL



Warning: The Engine Exhaust from this product contains chemicals known to the State of California to cause cancer, birth defects or other reproductive harm.

PG1202S MANUAL

Contents

ITEM#: PG1202S	1
INTRODUCTIONS.....	1
Product Specifications:	1
How to contact us:	1
SAFETY RULES	2
Safety Symbols.....	2
Safety Instructions	2
FEATURES.....	5
ASSEMBLY	6
Unpacking	6
Packing List	6
Installing the Handle.....	6
Grounding the Generator	7
How to Start Engine	7
OPERATION	9
How to Stop Engine.....	9
Receptacles and Extension Cords	9
Extension Cord Selection	10
Moving the Generator	10
Don't Overload Generator	11
Power Management	12
Cold Weather Operation	12
MAINTENANCE	13
Pre-Operation Steps.....	13
After Each Use.....	13
Maintenance Schedule	13
Air Filter	14
Checking Spark Plug.....	14
Draining Fuel Tank and Carburetor.....	14
Draining the fuel tank	14
Draining the carburetor	14
Storage and Transportation of the Generator:	14
Engine Long Term Storage:	14
DIAGRAMS	15
TROUBLESHOOTING	16
WARRANTY	17
Pulsar Products Inc Limited 1 Year Warranty:	17
Length of Warranty:	17
Consumer Responsibilities:.....	17
What this Warranty Does Not Cover:	18
Where Warranty is Valid:.....	18
How to Obtain Warranty Service:	18
SPECIFICATIONS	19
DIMENSIONS	19

PG1202S MANUAL

ENGINE.....	19
GENERATOR	19
PARTS LIST	20
Cylinder Head System Assy.....	21
Cylinder Barrel	22
Piston and Crankshaft Connecting Rod System Assy	23
Recoil Starter System Assy	24
Carburetor System Assy.....	25
Flywheel System Assy	26
Ignition System Assy	27
Control System Assy	28
Muffler System Assy	29
Control Box Assy	31

PG1202S MANUAL

INTRODUCTIONS

Thank you for purchasing this superior quality portable generator from Pulsar Products Inc. When operating and maintaining this product as instructed in this manual, your generator will give you many years of reliable service.

Product Specifications:

This generator is an engine-driven, revolving field, alternating current (AC) portable generator. It is designed to supply electrical power to operate tools, appliances, camping equipment, lighting, or serve as a back up power source during power outages.

AC Output	Rated Wattage	900W
	Rated Voltage	120V
	Rated Frequency	60Hz
	Rated Ampere	7A
	Peak Wattage	1200kVA

The emissions control system for this generator is compliant with all standards set by the U.S. Agency.

How to contact us:

To order parts, receive warranty assistance, or other services inquiries, you can contact us by Internet at www.pulsar-products.com

PULSAR PRODUCTS INC
2051 S Lynx Place
Ontario, California, U.S.A 91761

Record the following information bellow for service or warranty assistance.

Date of Purchase:	
Model Number:	
Item Number:	
Serial Number:	



SAVE THIS MANUAL FOR FUTURE REFERENCE

This manual contains important information regarding safety, operation, and maintenance.

PG1202S MANUAL

SAFETY RULES

Safety Symbols



Indicates a potentially hazardous situation which could result in serious injury or death if not avoided.



Indicates a potentially hazardous situation which could result in damage to equipment or property.



Toxic Fumes



Risk of fire



Risk of explosion



Risk of electric shock



Hot surface



Lifting hazard

Safety Instructions

The manufacturer cannot anticipate every possible hazardous circumstance that the user may encounter. Therefore, the warnings in this manual, on tags, and on affixed decals are not all-inclusive. To avoid accidents, the user must understand and follow all manual instructions and use common sense.



Read and understand this manual in its entirety before operating this generator. Improper use of this generator could result in serious injury or death.



Do not operate indoors or in a confined space preventing dangerous carbon monoxide gas from dissipating.

- Using a generator indoors **WILL KILL YOU IN MINUTES!**
- Carbon monoxide gas is a poisonous, odorless gas that can cause headache, confusion, fatigue, nausea, fainting, sickness, seizures, or death. If you start to experience any of these symptoms, **IMMEDIATELY** get fresh air and seek medical attention.
- Never use indoors, in a covered area, or in a confined space, even if doors and windows are open.
- Install a battery operated carbon monoxide alarm near bedrooms.
- Keep exhaust from this unit from entering a confined area through windows, doors, vents, or other openings.
- When working in areas where vapors could be inhaled, use a respirator mask according to all of its instructions.



Engine exhaust contains chemicals that lead to cause cancer and birth defects.

- Always wash hands after handling generator.



To reduce the risk of serious injury, avoid attempting to lift the generator alone.

PG1202S MANUAL



WARNING!

Never exceed generator's wattage / amperage capacity. This could damage the generator and / or connected electrical devices.

- Check operating voltage and frequency requirements of all electrical devices prior to plugging them into the generator.



WARNING!

Never start or stop engine with electrical devices plugged in to the receptacles. Failure to do so could damage the generator and / or connected electrical devices.

- Always start the engine and let it stabilize before connecting any electronic devices.
- Disconnect all electronic devices before stopping the engine.



WARNING!

Starter and other moving parts can catch on clothing, jewelry, and hair.

- Do not wear loose clothing or gloves.
- Remove jewelry or anything else that could be caught in moving parts.
- Tie back or wear protective head covering to contain long hair.



WARNING!



Keep engine away from flammable objects and other hazardous materials.

- The fuel and its vapors used to power this unit are highly flammable and could explode resulting in serious injury or death.
- Never fill or drain fuel tank indoors.
- Never overfill fuel tank. If fuel spills, move the unit at least 30 feet away from the spill and wipe up any remaining fuel on the unit before starting the engine.
- Never smoke while operating or fueling this unit.
- Never operate or store this unit near an open flame, heat, or any other ignition source.
- Generator should have at least 5 feet of clearance from buildings or other equipment during operation.
- Keep engine free of grass, leaves, or grease which are flammable.
- When adding or draining fuel, unit should be turned off for at least 2 minutes to cool before removing fuel cap. If unit has been running then the fuel cap is under pressure, remove slowly.
- To keep fuel from spilling, secure unit so it cannot tip while operating or transporting.
- When transporting unit, disconnect the spark plug wire and make sure the fuel tank is empty with the fuel shutoff valve turned to the off position.



WARNING!

Pull cord recoils rapidly and pulls arm towards engine faster than you can let go which could result in injury.

- To avoid recoil, pull starter cord slowly until resistance is felt, then pull rapidly.



WARNING!



Avoid contacting hot areas of this unit.

- Use caution around the muffler, cylinder, and other engine parts as they can be extremely hot.
- Allow hot components to cool before touching.

PG1202S MANUAL

WARNING!



This generator produces a very high voltage which could result in burns or electrocution causing serious injury or death.

- Never handle the generator, electronic devices, or any cord while standing in water, while barefoot, or when hands or feet are wet.
- Always keep the generator dry. Never operate generator in rain or under wet conditions.
- Use a ground fault circuit interrupter (GFCI) in a damp or highly conductive area, such as metal decking or steel work.
- Never plug electronic devices into generator having frayed, worn, or bare wires. Never touch bare wires or make contact with receptacles.
- Never permit a child or unqualified person to operate generator. Keep children a minimum of 10 feet away from the generator at all times.
- If using the generator for back up power, notify the utility company.
- If connecting generator to a building's electrical system for standby power, you must use a qualified electrician to install a transfer switch. Failure to isolate the generator from the power utility could result in serious injury or death to electric utility workers.

WARNING!



Generator must be properly grounded to prevent electrocution.

- Only operate generator on a level surface.
- Always connect the nut and ground terminal on the frame to an appropriate ground source.

WARNING!

Never modify this unit in any way or modify governed speed.

- Increasing governing speed is dangerous which can result in personal injury and / or damaged equipment.
- Decreasing governing speed adds an excessive load and can damage equipment.
- Only when operating at the preset governing speed will this generator will supply the correct rated frequency and voltage.

WARNING!

Only use this unit as intended or serious injury or death could result.

- Do not bypass any safety device. Moving parts are covered with guards. Make sure all protective covers are in place.
- Never transport or make adjustments to this unit while it is running.
- Never insert objects through cooling slots.

WARNING!

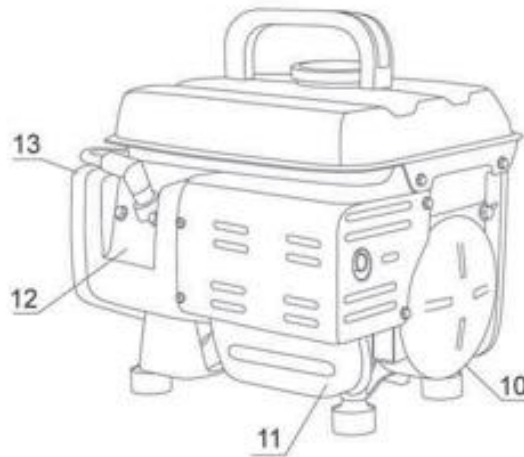
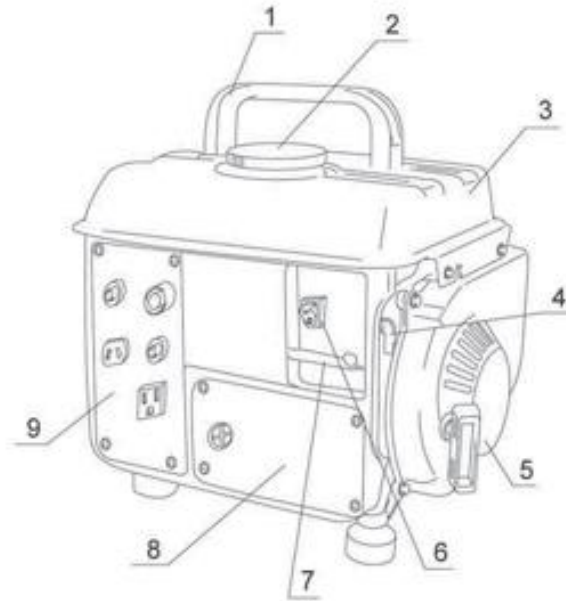
Never operate this unit if there are any broken or missing parts and only use Pulsar Products Inc replacement parts specifically designed for this unit.

- Improper treatment of generator can damage the unit and shorten it's life.
- Always repair this unit as specified in this manual. If you have any questions contact your dealer or consult a qualified service center.
- Shut generator off if electrical output is missing, unit vibrates excessively or begins to smoke, spark or emit flames.

PROP 65 WARNING: This product contains chemicals known to the state of California to cause cancer and birth defects or other reproductive harm.

PG1202S MANUAL

FEATURES



- | | |
|-------------------------|-------------------|
| 1. Handle | 7. Throttle Lever |
| 2. Fuel Cap | 8. Air Cleaner |
| 3. Fuel Tank | 9. Control Panel |
| 4. Fuel Shut-Off | 10. Generator |
| 5. Recoil Starter | 11. Muffler |
| 6. Engine On-Off Switch | 12. Cylinder |

ASSEMBLY

Unpacking

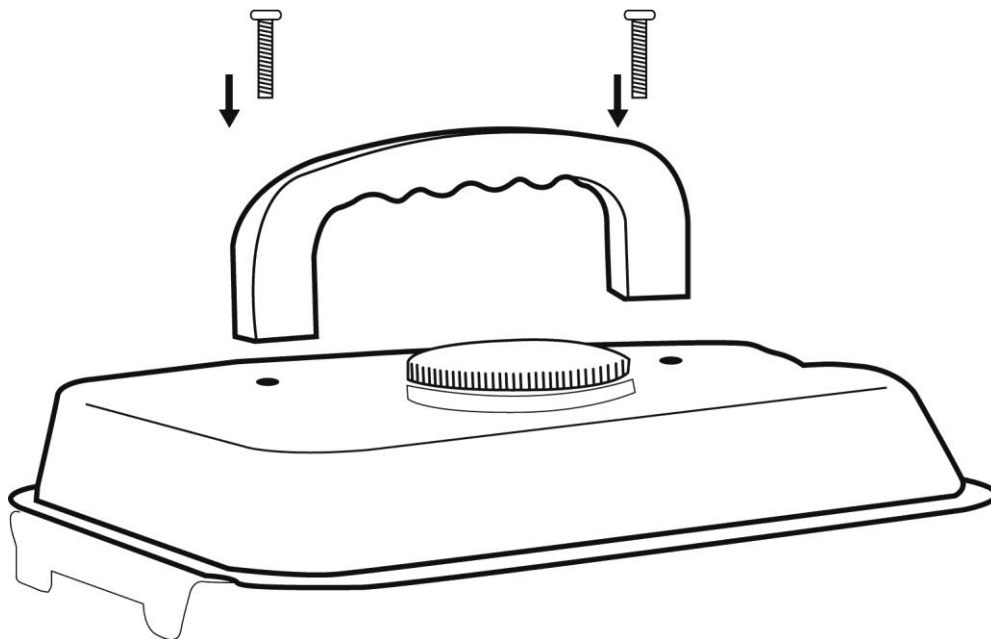
1. Place box on a level surface.
2. Remove all items from the box. Make sure all items listed on the packing list are included and not damaged.

Packing List

Check all loose parts to the following list. Contact your service center (866-591-8921) if any loose parts are not included.

Description	Qty
Generator	1
Quick Start Guide	1
Spark Plug Wrench	1
Handle	1
Bolts Screws	2

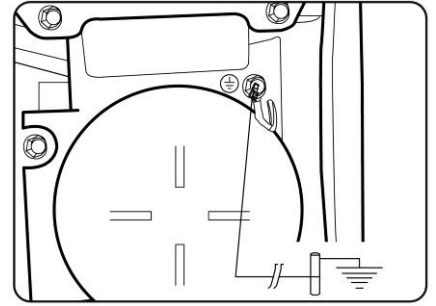
Installing the Handle



PG1202S MANUAL

Grounding the Generator

The ground terminal located on the side of the generator frame must always be used to connect generator to a driven ground rod. Connect the ground terminal to the driven ground rod with a No 8 AWG (American Wire Gauge) copper wire. The wire connects to the terminal between the lock washer and nut. Tighten the nut securely to ensure proper connection. Grounding the generator protects you from electric shock that results from a build up of static electricity or undetected ground faults.



WARNING!



Generator must be properly grounded to prevent electrocution.

- Only operate generator on a level surface.
- Always connect the nut and ground terminal on the frame to an appropriate ground source.



CAUTION!

Before starting please make sure you have the correct gasoline and oil mixture in 50:1.

50:1

USE 50 PARTS GASOLINE TO 1 PART 2-STROKE OIL

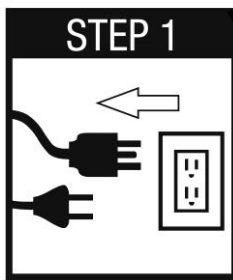


MEASURING CUP ON FUEL CAP

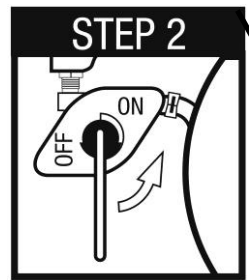


FUEL CAP

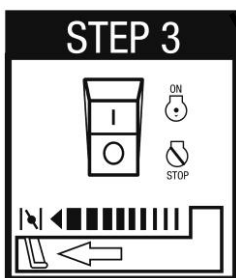
How to Start Engine



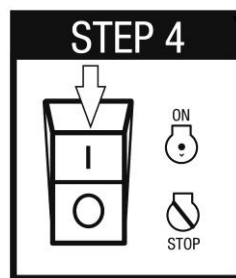
All electrical loads
MUST be
disconnected from
generator.



Turn fuel valve to
the "ON" position



Move the Choke
lever to the
"CLOSED" position.



Turn the engine
ON/OFF switch to
the "ON" position.

PG1202S MANUAL



STEP 5

Pull the starter grip lightly until you feel resistance, then pull briskly to start the engine.



STEP 6

Move the choke lever to the "OPEN" position.

PG1202S MANUAL

OPERATION

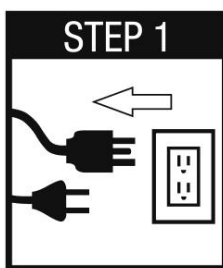
WARNING! Never start or stop engine with electrical devices plugged in to the receptacles. Failure to do so could damage the generator and / or connected electrical devices.

- Always start the engine and let it stabilize before connecting any electronic devices.
- Disconnect all electronic devices before stopping the engine.

WARNING! Pull cord recoils rapidly and pulls arm towards engine faster than you can let go which could result in injury.

- To avoid recoil, pull starter cord slowly until resistance is felt, then pull rapidly.

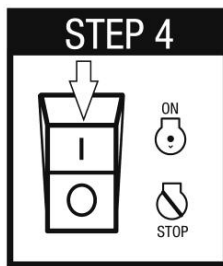
How to Stop Engine



All loads **MUST** be disconnected from the generator. Never start or stop the engine with electrical devices plugged in to the receptacles



Turn the fuel valve to the "OFF" position.



Turn the engine ON/OFF switch to the "OFF" position.

Receptacles and Extension Cords

Only use high quality, well-insulated, grounded extension cords in good condition with generator receptacles. Follow each load manufacturer's power rating recommendation when selecting receptacle and extension cord.

CAUTION! The receptacles are not protected by a GFCI. Use a GFCI protected spider box or GFCI adapter to connect load to the receptacle.

This generator is equipped with the following receptacles:

- Two 120 Volt AC Receptacles.

If reset trips, disconnect all external electrical appliances before pushing the reset button. After reconnecting the external electrical appliance, if reset continues to trip that indicates that the electrical lead connected to the generator from one or more of the appliances may have a short circuit. In that event, discontinue use of that item until it has been checked and/or repaired by a qualified technician.

PG1202S MANUAL



CAUTION!

Do not connect 3-phase loads to generator.

Extension Cord Selection

Refer to the below table to ensure the extension cord used has the capacity to carry the required load. If the size of the cable is inadequate it can cause a voltage drop, which can damage the electrical device and cord.

Current (Amps)	Load (Watts)	Maximum Cord Length				
		#8 Wire	#10 Wire	#12 Wire	#14 Wire	#16 Wire
2.5	600	X	1000 ft.	600 ft.	375 ft.	250 ft.
5	1200	X	500 ft.	300 ft.	200 ft.	125 ft.
7.5	1800	X	350 ft.	200 ft.	125 ft.	100 ft.
10	2400	X	250 ft.	150 ft.	100 ft.	50 ft.
15	3800	X	150 ft.	100 ft.	65 ft.	X
20	4800	175 ft.	125 ft.	75 ft.	X	X
25	6000	150 ft.	100 ft.	X	X	X
30	7200	125 ft.	65 ft.	X	X	X

Moving the Generator

- Disconnect any electronic devices from generator then turn generator off.
- Turn fuel valve to the "OFF" position.

PG1202S MANUAL

Don't Overload Generator

Make sure you can supply enough rated watts and surge watts for all electronic devices connected to the generator. Rated watts refer to the power a generator must supply to keep a device running. Surge watts refer to the power a generator must supply to start an electronic device. This power surge for starting a device usually lasts between 2-3 seconds but this additional output must be taken into account when selecting the electronic devices you plan to attach to the generator. To prevent overloading the generator take the following steps:

1. Add up the total rated wattage of all electronic devices that will be connected to the generator simultaneously.
2. Estimate surge watts by adding the item(s) with the highest output (it is unnecessary to calculate the surge output for all devices as they should be connected one at a time).
3. Add the Surge Watts to the total Rated Watts in step 1. Keep total load within generator's power capacity.

Operating voltage and frequency requirement of all electronic equipment should be checked prior to plugging them into this generator. Damage may result if the equipment is not designed to operate within a +/- 10% voltage variation, and +/- 3 Hz frequency variation from the generator name plate ratings. To reduce the risk of damage, always have an additional load plugged into the generator if solid state equipment (such as television set) is used. A power line conditioner is recommended for some solid state applications.

Wattage Reference Guide

(Wattages listed are just approximations. Check electronic device for actual wattage)

Essentials	Rated Watts	Peak Watts
75W Light Bulbs	75 each	75 each
18 CU Ft Refrigerator / Freezer	800	2200
Furnace Fan (1/3 HP)	800	2350
Sump Pump (1/3 HP)	1000	2000
Water Pump (1/3 HP)	1000	3000
Heating/Cooling		
Dehumidifier	650	800
Table Fan	800	2000
Window AC (10k BTU)	1200	3600
Central Air (10k BTU)	1500	6000
Electric Blanket	400	400
Space Heater	1800	1800
Kitchen		
Blender	300	900
Toaster (2 slice)	1000	1600
Coffee Maker	1500	1500
Electric Range (1 element)	1500	1500
Dishwasher	1500	3000
Electric Oven	3410	3410
Electric Water Heater	4000	4000
Laundry Room		
Iron	1200	1200
Washing Machine	1150	3400
Gas Clothes Dryer	700	2500
Electric Clothes Dryer	5400	6750

Bathroom	Rated Watts	Peak Watts
Hair Dryer	1250	0
Curling Iron	1500	0
Family Room		
X-Box or Play Station	40	0
AM/FM Radio	100	100
VCR	100	100
Color TV (27")	500	500
Home Office		
Fax Machine	65	0
Personal Computer (17" Monitor)	800	0
Laser Printer	950	0
Copy Machine	1600	0
Power Tools		
1000W Quartz Halogen Work Light	1000	0
Airless Sprayer (1/3 HP)	600	1200
Reciprocating Saw	960	0
Circular Saw (7 1/4")	1400	2300
Miter Saw (10")	1800	1800
Table/Radial Arm Saw	2000	2000
Electric Drill (1/2 HP, 5.4 Amps)	600	900
Hammer Drill	1000	3000
Air Compressor	1600	4500
Other		
Home Security System	500	500
Garage Door Opener (1/3 HP)	750	750

PG1202S MANUAL



WARNING!

Never exceed generator's wattage / amperage capacity. This could damage the generator and / or connected electrical devices.

- Check operating voltage and frequency requirements of all electrical devices prior to plugging them into the generator.

Power Management

- Start engine without anything connected to generator.
- When engine has stabilized, plug in and turn on first load. It is strongly recommended to plug in devices with the largest output first and the smallest output last to help prevent overloading the generator.
- Allow generator output to stabilize (engine and attached devices run evenly) before plugging in the next load.

Cold Weather Operation

Under humid conditions where temperatures drop to 40°F (4°C) the carburetor and/or crankcase breather system may begin to freeze. To prevent icing take the following steps:

1. Replace any old fuel with clean, fresh fuel.
2. Turn fuel valve to the open position.
3. Ensure generator is serviced according to the maintenance schedule under "Maintenance" section of manual.
4. Shelter unit from elements.

PG1202S MANUAL

MAINTENANCE

Regular maintenance will extend the life of this generator and improve its performance. The warranty does not cover items that result from operator negligence, misuse, or abuse. To receive full value from the warranty, operator must maintain the generator as instructed in this manual, including proper storage.



WARNING!

Before inspecting or servicing this machine, make sure the engine is off and no parts are moving. Disconnect the spark plug wire and move it away from the spark plug.

Pre-Operation Steps

Before starting the engine, perform the following pre-operation steps:

- Check the level of fuel.
- Make sure the air filter is clean.
- Remove any debris that has collected on the generator and around the muffler and controls. Use a vacuum cleaner to pick up loose debris. If dirt is caked on, use a soft bristle brush.
- Inspect the work area for hazards.

After Each Use

Follow the following procedure after each use:

- Shut off engine.)
- Store unit in a clean and dry area.

Maintenance Schedule

After 8 Hours or Daily	Clean Debris
Annually (25 hr Use)	Check and Clean Air Cleaner
	Check Muffler
Annually (100 hr Use)	Service Spark Plug (Replace with NGK BP6ES, Champion N9YC or equivalent)
	Check & Clean Fuel Filter
	Inspect Muffler
	Check and Clean Air Cleaner, Replace Air Filter

PG1202S MANUAL

Air Filter

A dirty air filter will reduce the life span of the engine, make it difficult to start the engine, and reduce the unit's performance.

- To clean, remove the air filter cover.
- Carefully pull the air filter out by lifting up along the edges.
- Remove dirt from filter by tapping on it or having it blown out. Replace with new filter annually.
- Reinstall air filter so that it seals and replace air filter cover.

Checking Spark Plug

- Disconnect the spark plug wire from the spark plug.
- Before removing the spark plug, clean the area around its base to prevent debris from entering the engine.
- Clean carbon deposits off the electrode with a wire brush.
- Check the electrode gap and slowly adjust to .700 mm - .80 mm (.028 - .031") if necessary.
- Reinstall spark plug and tighten to Torque 22.0 – 26.9 Nm (16-20 ft-lb).
- Reconnect spark plug wire.
- If spark plug is worn replace only with an equivalent replacement part. Spark plug should be replaced annually. (BOSCH F7TC, NGK BP6ES, CHAMPION N9YC or Equivalent)

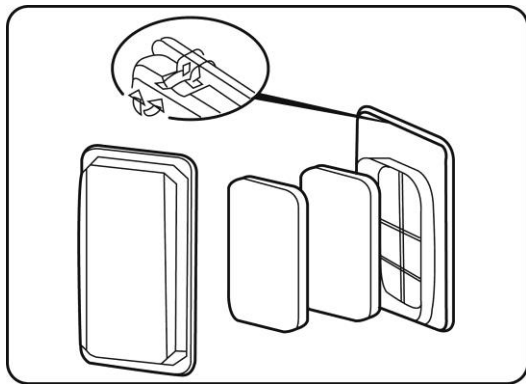


Fig 11

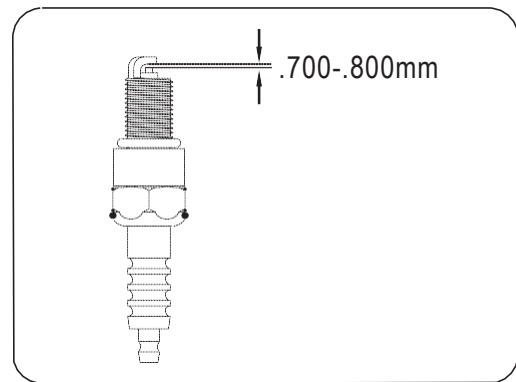


Fig 12

Draining Fuel Tank and Carburetor

To help prevent gum deposits in the fuel system, drain the fuel from the tank and carburetor before storing the unit for long periods of time. This will help prevent starting problems in the future. If the unit is stored with fuel and the fuel becomes stale or turns gummy or to varnish the warranty does not cover this repair or service.

Draining the fuel tank

- Turn the engine OFF.
- Turn the fuel valve to the OFF position.
- Remove the fuel line that leads to the carburetor from the petcock by squeezing the ends of the hose clamps and sliding the fuel line off.
- If needed, install a fuel hose that will extend to a suitable fuel container large enough to catch the fuel being drained from the tank.
- Turn the fuel valve to the ON position.
- When the fuel has drained from the tank, close the fuel valve and reinstall fuel line securely on petcock.

PG1202S MANUAL

Draining the carburetor

- Turn the engine OFF.
- Turn the fuel valve to the OFF position.
- Position a suitable container under the carburetor drain screw to catch fuel; loosen the screw.
- Allow fuel to drain completely into container.
- Retighten drain screw.



CAUTION!

Consult your local hazardous waste management in your area for the proper way to dispose of used fuel.

Storage and Transportation of the Generator:

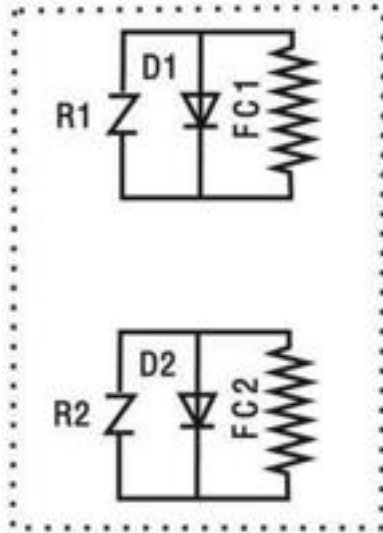
- Remove any debris that has collected on the generator and around the muffler and control panel. Use a brush or vacuum to remove loose dirt.
- Inspect air cooling slots. Remove any debris if obstructed.
- For short-term storage, start generator once every 7 days.
- For semi-long term storage, add fuel stabilizer to prevent stale fuel from causing acid and gum deposits in the fuel system and carburetor.
- For long-term storage, drain the fuel.
- Store the generator indoors to prevent freezing.
- The generator must be Shipped, Run and Stored in the upright position as seen in this image.

Engine Long Term Storage:

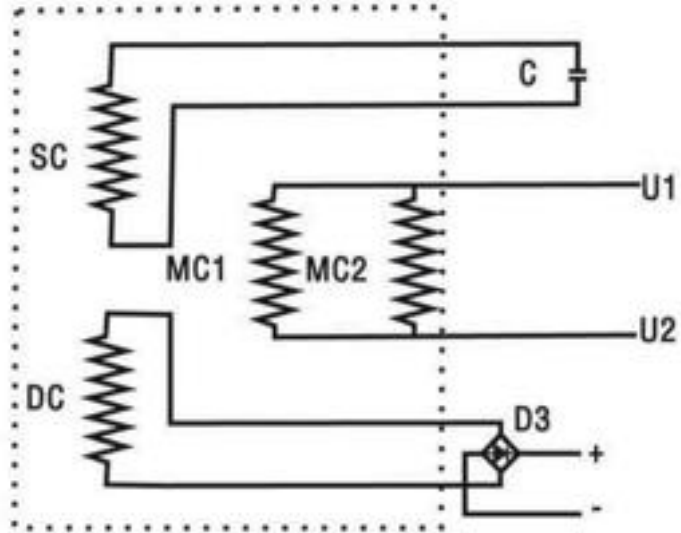
- Remove the spark plug and pour about 1 teaspoon of 10W30 Engine oil into the spark plug hole. Reinstall the spark plug. With the ON/OFF switch in the OFF position pull the recoil starter cord several time to coat the cylinder walls with oil.
- Slowly pull the recoil Starter until you feel the engine build compression (When you feel resistance). Leave the Engine in this state as this will prevent any corrosion on the cylinder walls if stored for a long period of time.

DIAGRAMS

Rotor



Stator



R1 > Over Volt Protective Resistance
R2 >

D1 > Spin Rectifier
D2 >

FC1 > Rotor Pole Winding
FC2 >

S < Stator Auxiliary Winding
C <

DC < Stator DC Winding

MC1 > Stator Main Winding
MC2 >

C < Capacitor

D3 < Single-phase Rectifier

PG1202S MANUAL

TROUBLESHOOTING

Problem	Cause	Solution
Engine is running, but AC output is not available	<ol style="list-style-type: none"> 1. Open circuit breaker 2. Poor connection 3. Defective cord set 4. Connected device is faulty 5. Fault in generator 	<ol style="list-style-type: none"> 1. Reset circuit breaker 2. Check and repair 3. Check and repair 4. Connect a device that is working properly 5. Contact service department
Engine runs well without load but bogs down when loads are connected	<ol style="list-style-type: none"> 1. Short circuit in connected device 2. Generator is overloaded 3. Clogged fuel filter 4. Engine speed is too slow 5. Short circuit in generator 	<ol style="list-style-type: none"> 1. Disconnect device 2. Don't overload generator 3. Clean or replace fuel filter 4. Contact service department 5. Contact service department
Engine will not start, shuts down during operation, or starts and runs rough.	<ol style="list-style-type: none"> 1. ON/OFF switch set to "OFF" 2. Dirty Air filter 3. Clogged fuel filter 4. Stale fuel 5. Spark plug wire disconnected from spark plug 6. Bad spark plug 7. Water in fuel 8. Fuel valve is in "OFF" position 9. Over choking 10. Rich fuel mixture 11. Intake valve stuck open or closed 12. Loss of engine compression 13. Engine has flooded 	<ol style="list-style-type: none"> 1. Turn switch to "ON" 2. Replace Air filter 3. Clean or replace fuel filter 4. Replace fuel 5. Reconnect spark plug wire 6. Replace spark plug 7. Drain fuel tank and replace fuel 8. Turn fuel valve to "ON" position 9. Turn off choke 10. Contact service department 11. Contact service department 12. Contact service department 13. Wait 5 minutes and re crank engine
Engine lacks power	<ol style="list-style-type: none"> 1. Generator is overloaded 2. Clogged fuel filter 3. Dirty Air filter 4. Engine needs servicing 	<ol style="list-style-type: none"> 1. "Don't overload generator" 2. Clean or replace fuel filter 3. Replace Air filter 4. Contact service department
Engine "hunts" or falters	<ol style="list-style-type: none"> 1. Choke was removed too soon 2. Clogged fuel filter 3. Carburetor is running too rich or too lean 	<ol style="list-style-type: none"> 1. Move choke to middle position until engine runs evenly 2. Clean or replace fuel filter 3. Contact service department

WARRANTY

Pulsar Products Inc Limited 1 Year Warranty:

From the date of original purchase, Pulsar Products Inc warrants to the original purchaser that each portable generator sold, shall be free from defect in material and workmanship for the items and time period set forth below. Pulsar Products Inc, at its discretion, agrees to repair or replace any defective part that upon examination, inspection, and testing by a Pulsar Products Inc authorized service dealer, is found to be defective within the original warranty period. Pulsar Products Inc will also decide upon the use of new or rebuilt parts or comparable product. Any part or product that is replaced will be retained by Pulsar Products Inc. This warranty period shall not be extended and any repaired product shall be warranted for the remaining period of the original warranty. The consumer is responsible, and shall prepay all transportation costs, including returning items to the factory or warehouse. This warranty is non-transferable and proof of purchase must be presented for requesting warranty service. If a proof-of-purchase receipt is not provided, the product's shipping date by the manufacturer will be used to determine the warranty period.

Length of Warranty:

Personal use applications of this portable generator are warranted for a 12-month period or 250 hrs (Whichever comes first). Proof of purchase and of maintenance must be provided.

- 6 Month - Limited comprehensive coverage on all generator components and labor.
- 12 Month - Limited coverage on generator engine and alternator components, parts only.

“Personal use” means personal residential household use or recreational use by the retail consumer. “Commercial use” means all other uses including commercial, construction, or other income producing purposes. Once a generator has been used for commercial purposes, it shall thereafter be considered as a “commercial use” generator for the purposes of this warranty. Any portable generator used for commercial use, as rental equipment or for the purpose of primary power in place of utility, will not be covered under this warranty.

Consumer Responsibilities:

- Consumer is responsible for carefully reading and following all instructions in the owner's manual. Any product that is damaged due to misuse or abuse will not be covered by this warranty.
- Consumer is responsible for all transportation costs to an authorized Pulsar Products Inc Service Center. Unless otherwise requested, ground shipping will be applied for part shipment and customer will pay any additional charges for expedited shipments.
- Consumer is responsible for labor costs associated with warranted repairs twelve (12) months after the purchase date. Labor rates will only be based on normal working hours.
- Consumer is responsible for maintaining generator as specified in the owner's manual. Documentation of this maintenance may be required to cover warranty requests.
- Consumer is responsible for presenting any problems with the generator to an authorized Pulsar Products Inc Service Center as soon as the problem exists. Warranted repairs will be completed in a reasonable period of time, not to exceed 30 days.

What this Warranty Does Not Cover:

- **Normal wear:** This warranty excludes normal wear items such as filters, spark plugs, gaskets, O-rings, adapter cord sets, wheels, and starting batteries.
- **Maintenance:** This warranty does not apply to tune-ups or routine maintenance and does not cover any adjustments or repairs not performed by an authorized repair facility.
- **Misuse:** This warranty does not apply if your product has failed due to abuse, misuse, neglect, using incorrect fuels or lubricants, overloading, overspeeding, improper maintenance, improper storage, unapproved modifications, or has been operated in any way contrary to the instructions found in the products owner's manual.
- **Adverse conditions:** This warranty does not apply if your product has failed due to freezing, accident or natural disasters.
- **Product shipment:** This warranty does not apply to damage resulting from shipping, handling, or warehousing. Any damage claims to this product caused by shipment must be filed with freighter.
- **Other exclusions:** This warranty does not apply if your product has been sold "as is" or where the factory applied serial number has been removed. Refurbished, used, demonstration or floor models are not covered by this warranty.

Where Warranty is Valid:

For warranty coverage, this product must be purchased from an authorized Pulsar Products Inc dealer and the warranty only extends to the original purchaser. Refurbished, used, demonstration, or floor models are not covered by this warranty. Products purchased from on-line auction websites, such as ebay, are not covered under this warranty. Products used for commercial use are not covered under this warranty.

How to Obtain Warranty Service:

Take the original receipt and product to the place of purchase or mail the original receipt and product to the address found on the web site if purchased on-line. You can also locate your nearest Pulsar Products Inc dealer for service or warranty questions by calling toll free at 1-866-591-8921. Pulsar Products Inc recommends you retain all of your receipts covering the purchase and maintenance of your Portable Generator, but will not deny you warranty coverage as long as proof of purchase or service can be obtained.

Pulsar Products Inc's obligation under this warranty is exclusively limited to product repair or replacement and shall not be liable for any incidental or consequential damages including, but not limited to, the expense of delivering product to and from a repair center, loss or damage to personal property, loss of revenue, telephone charges, loss of time, or inconvenience. Some states, provinces or jurisdictions do not allow the exclusion or limitation of incidental damages, so the above limitation may not apply to you. The warranty gives you specific legal rights, and you may also have other rights which vary from state to state or province to province.

PG1202S MANUAL

SPECIFICATIONS

DIMENSIONS

Length	16 in
Width	15 in.
Height	14 in.
Weight	39.68 lbs.

ENGINE

Type	Air cooled 2 stroke
Fuel	Mix 50 parts gasoline to 1 part 2-stroke oil
Oil	Two-stroke lubrication
Gasoline and oil mixing ratio	50:1
Displacement	72cc
Starting System	Recoil (Electronic Ignition)
Spark Plug	F6TC/LD
Cooling System	Forced Air
Decibel Ratio	76dB
Rated Output	72cc @ 3600rpm
Fuel Tank Capacity	1.1 Gal.

GENERATOR

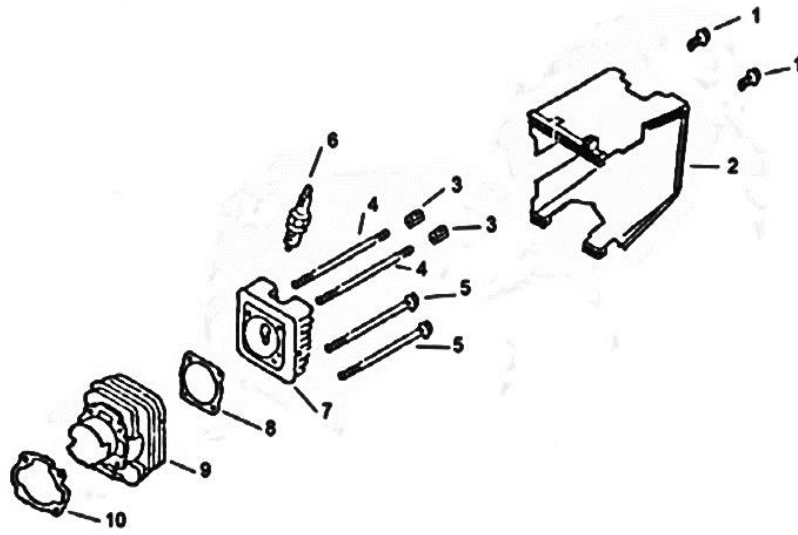
AC Output Rating	120 Volts
Frequency	60 Hz
AC Current	7 Amps
Rated Output, Continuous	900 Watts
DC Output Rating	12 Volts
DC Current	8 Amps

PARTS LIST



PG1202S MANUAL

Cylinder Head System Assy

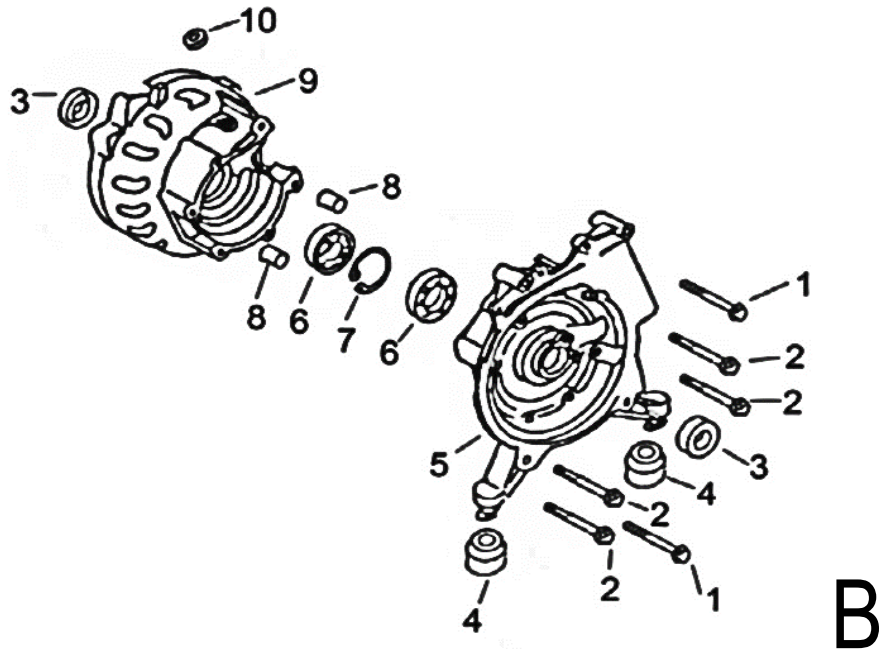


A

No.	Parts No.	Description
1	PG1202S-A-01	FLANGE BOLT (M6×12)
2	PG1202S-A-02	CYLINDER AIR SHROUD
3	PG1202S-A-03	NUT (M6×18)
4	PG1202S-A-04	STUD BOLT (M6×110)
5	PG1202S-A-05	FLANGE BOLT (M6×105)
6	PG1202S-A-06	SPARK PLUG
7	PG1202S-A-07	CYLINDER HEAD
8	PG1202S-A-08	CYLINDER HEAD GASKET
9	PG1202S-A-09	CYLINDER LINER
10	PG1202S-A-10	CYLINDER BOTTOM GASKET

PG1202S MANUAL

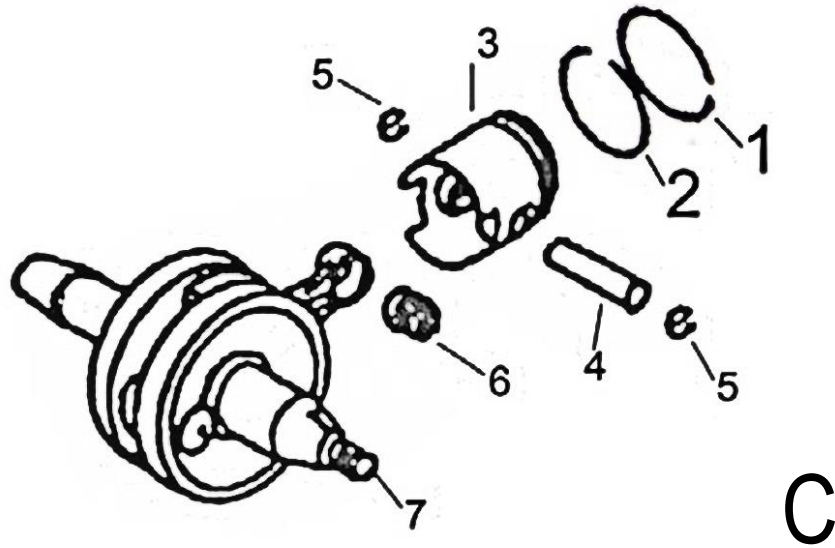
Cylinder Barrel



No.	Parts No.	Description
1	PG1202S-B-01	FLANGE BOLT (M6×55)
2	PG1202S-B-02	FLANGE BOLT (M6×45)
3	PG1202S-B-03	OIL SEAL (Φ30×Φ20×7)
4	PG1202S-B-04	RUBBER PAD
5	PG1202S-B-05	CRANKCASE (LEFT)
6	PG1202S-B-06	BEARING (6004)
7	PG1202S-B-07	SPEED REGULATION FORK (Φ47)
8	PG1202S-B-08	LOCATING RING (Φ10)
9	PG1202S-B-09	CRANKCASE (RIGHT)
10	PG1202S-B-10	OIL SEAL (Φ12×Φ6×5)

PG1202S MANUAL

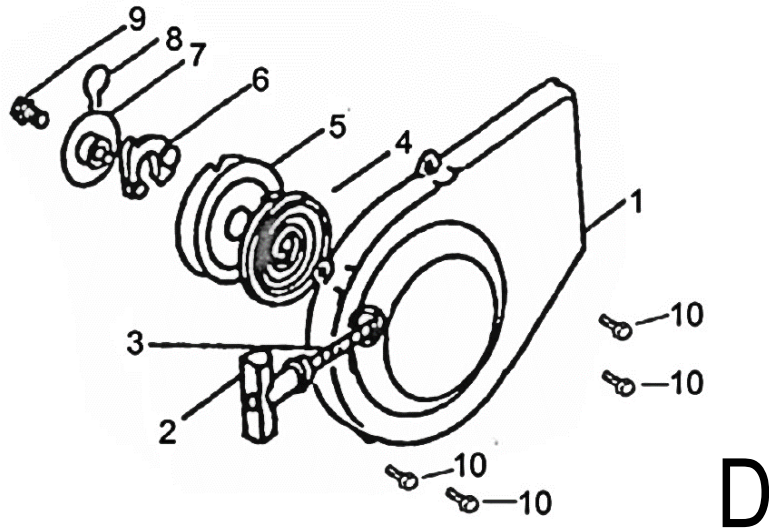
Piston and Crankshaft Connecting Rod System Assy



No.	Parts No.	Description
1	PG1202S-C-01	COMPRESSION RING A
2	PG1202S-C-02	COMPRESSION RING B
3	PG1202S-C-03	PISTON
4	PG1202S-C-04	PISTON PIN
5	PG1202S-C-05	PISTON PIN CLIP (10mm)
6	PG1202S-C-06	NEEDLE BEARING ($\Phi 14 \times \Phi 10 \times 13$)
7	PG1202S-C-07	CRANKSHAFT

PG1202S MANUAL

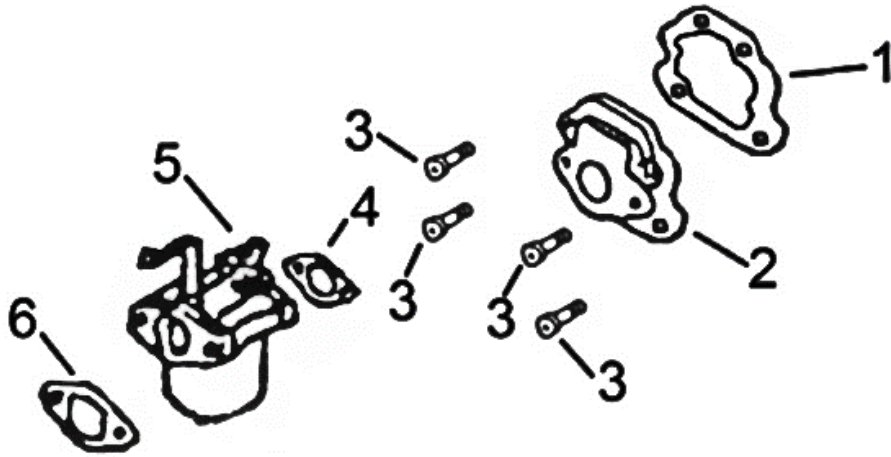
Recoil Starter System Assy



No.	Parts No.	Description
1	PG1202S-D-01	STARTING COVER
2	PG1202S-D-02	STARTER KNOB
3	PG1202S-D-03	RECOIL STARTER ROPE
4	PG1202S-D-04	START RETURN SPRING
5	PG1202S-D-05	RECOIL STARTER REEL
6	PG1202S-D-06	BEARING PLATE
7	PG1202S-D-07	DRIVE PLATE
8	PG1202S-D-08	CLIP SPRING
9	PG1202S-D-09	SETTING SCREW
10	PG1202S-D-10	FLANGE BOLT (M6×12)

PG1202S MANUAL

Carburetor System Assy

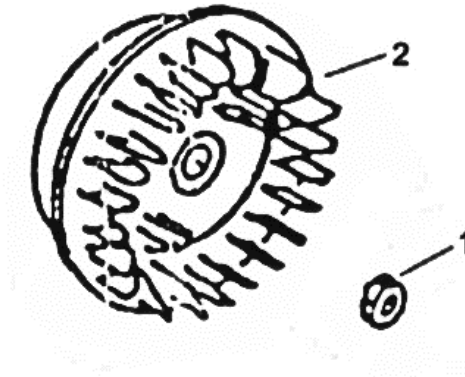


E

No.	Parts No.	Description
1	PG1202S-E-01	AIR INLET VALVE BODY GASKET
2	PG1202S-E-02	AIR INLET VALVE BODY
3	PG1202S-E-03	FLANGE BOLT (M6×20)
4	PG1202S-E-04	CARBURETOR GASKET (IN)
5	PG1202S-E-05	CARBURETOR ASSY
6	PG1202S-E-06	CARBURETOR GASKET (OUT)

PG1202S MANUAL

Flywheel System Assy

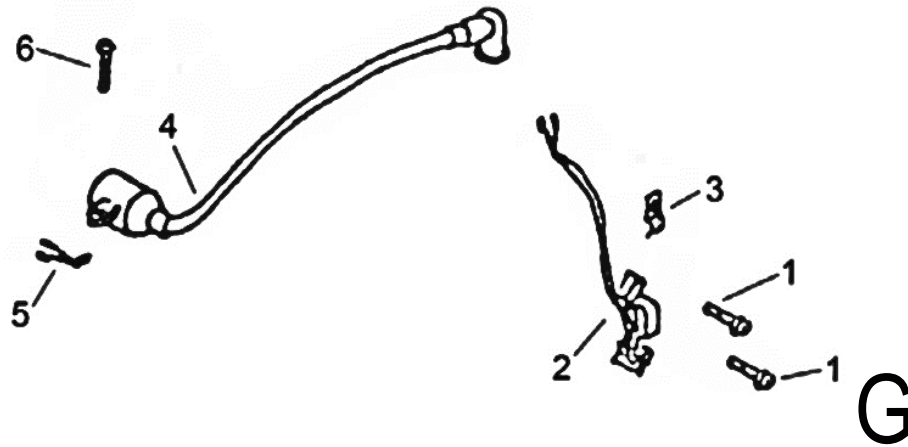


F

No.	Parts No.	Description
1	PG1202S-F-01	FLANGE NUT (M10×1.25)
2	PG1202S-F-02	FLYWHEEL

PG1202S MANUAL

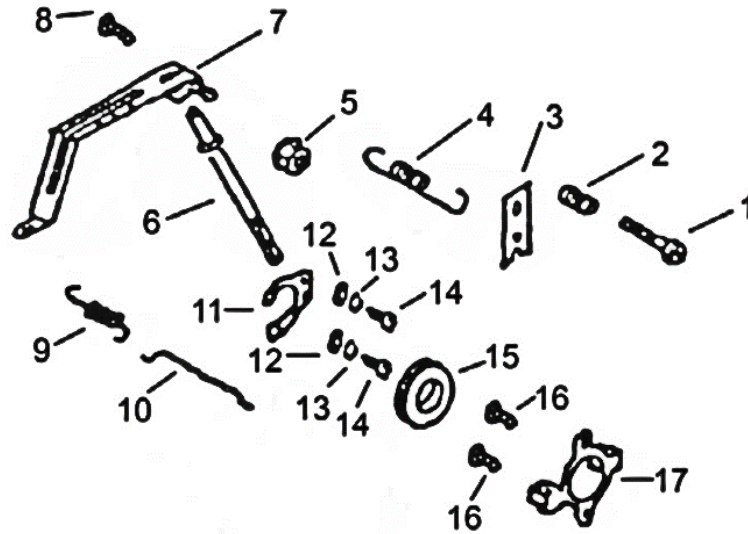
Ignition System Assy



No.	Parts No.	Description
1	PG1202S-G-01	FLANGE BOLT (M6×12)
2	PG1202S-G-02	MAGNETO
3	PG1202S-G-03	LOCATINGT
4	PG1202S-G-04	HIGH VOLTAGE SET
5	PG1202S-G-05	STOP SWITCH CORD
6	PG1202S-G-06	FLANGE BOLT (M6×16)

PG1202S MANUAL

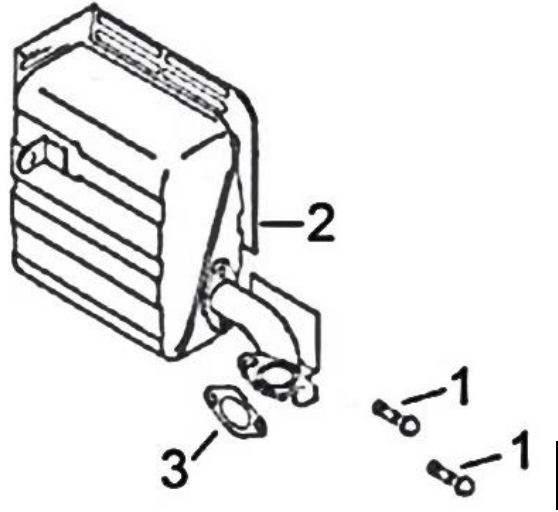
Control System Assy



No.	Parts No.	Description
1	PG1202S-H-01	FLAT SCREW (M6×40)
2	PG1202S-H-02	CONTROL ADJUSTING SPRING
3	PG1202S-H-03	SPEED GOVERNING GASKET
4	PG1202S-H-04	SPEED GOVERNING SPRING
5	PG1202S-H-05	FLANGE NUT (M6)
6	PG1202S-H-06	SHIFLET
7	PG1202S-H-07	GOVERNOR ARM
8	PG1202S-H-08	BOLT (M6×20)
9	PG1202S-H-09	THROTTLE RETURN SPRING
10	PG1202S-H-10	GOVERNOR ROD
11	PG1202S-H-11	SPEED REGULATION FORK
12	PG1202S-H-12	WASHER (Φ3)
13	PG1202S-H-13	SPRING WASHER (Φ3)
14	PG1202S-H-14	FLAT SCREW (M3×8)
15	PG1202S-H-15	SLIP RING
16	PG1202S-H-16	FLANGE BOLT (M6×12)
17	PG1202S-H-17	STAND

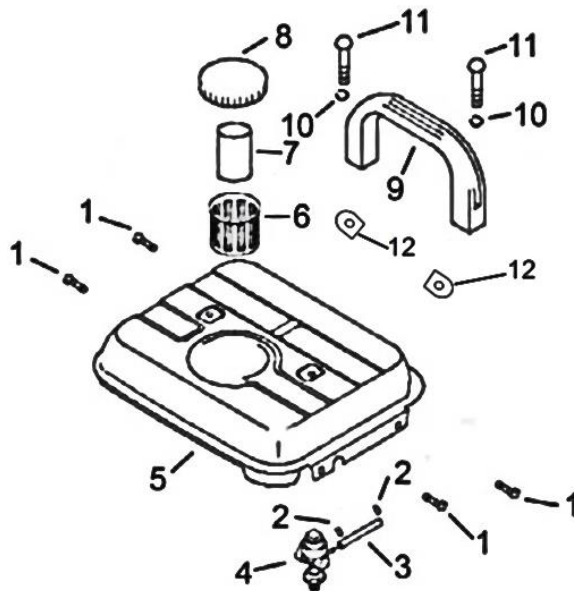
PG1202S MANUAL

Muffler System Assy



No.	Parts No.	Description
1	PG1202S-I-01	FLANGE BOLT (M6×12)
2	PG1202S-I-02	MUFFLER COMP
3	PG1202S-I-03	MUFFLER GASKET

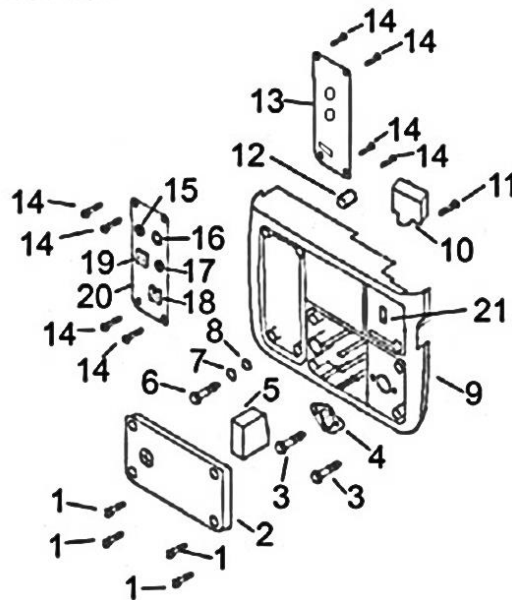
PG1202S MANUAL



No.	Parts No.	Description
1	PG1202S-J-01	FLANGE BOLT (M6×20)
2	PG1202S-J-02	CLAMP
3	PG1202S-J-03	FUEL TUBE
4	PG1202S-J-04	FUEL CONTROL VALVE
5	PG1202S-J-05	FUEL TANK
6	PG1202S-J-06	FUEL FILTER
7	PG1202S-J-07	FUEL CUP
8	PG1202S-J-08	FUEL CAP
9	PG1202S-J-09	HANDLE
10	PG1202S-J-10	SPRING WASHER (Φ6)
11	PG1202S-J-11	FLAT SCREW (M6×32)
12	PG1202S-J-12	WASHERS

PG1202S MANUAL

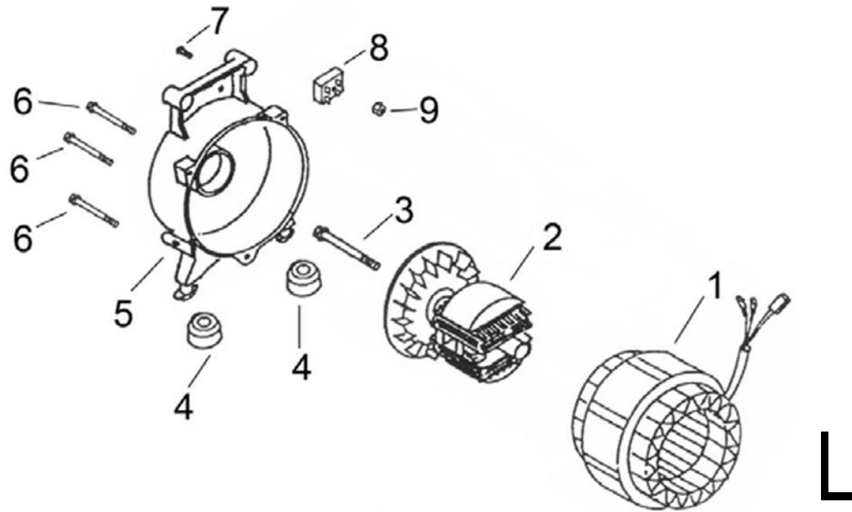
Control Box Assy



K

No.	Parts No.	Description
1	PG1202S-K-01	FLAT SCREW (M5×15)
2	PG1202S-K-02	AIR FILTER COVER
3	PG1202S-K-03	FLANGE BOLT (M6×60)
4	PG1202S-K-04	PLATE PAD
5	PG1202S-K-05	AIR FILTER
6	PG1202S-K-06	FLAT SCREW (M6×30)
7	PG1202S-K-07	SPRING WASHER (Φ6)
8	PG1202S-K-08	WASHER (Φ6)
9	PG1202S-K-09	CONTROL PANEL
10	PG1202S-K-10	CAPACITOR
11	PG1202S-K-11	PLATE SCREW (ST4×16)
12	PG1202S-K-12	TUBE (Φ6)
13	PG1202S-K-13	PLATE COVER
14	PG1202S-K-14	PLATE SCREW (ST4×10)
15	PG1202S-K-15	DC CIRCUIT BREAKER (10A)
16	PG1202S-K-16	LIGHT
17	PG1202S-K-17	AC CIRCUIT BREAKER (8A)
18	PG1202S-K-18	AC SOCKET
19	PG1202S-K-19	DC SOCKET
20	PG1202S-K-20	PANEL COVER
21	PG1202S-K-21	ENGINE SWITCH

PG1202S MANUAL



No.	Parts No.	Description
1	PG1202S-L-01	STATOR ASSY.
2	PG1202S-L-02	ROTOR COMP.
3	PG1202S-L-03	FLANGE BOLT (M8×155)
4	PG1202S-L-04	RUBBER PAD
5	PG1202S-L-05	GENERATOR STAY
6	PG1202S-L-06	FLANGE BOLT (M6×80)
7	PG1202S-L-07	FLAT SCREW (M4×20)
8	PG1202S-L-08	RECTIFIER COMP.
9	PG1202S-L-09	NUT (M4)