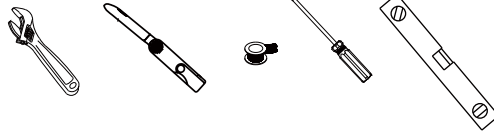


# installation

FOR FREE STANDING TUBFILLER FAUCET

## Tools

- Adjustable wrench
- knife
- Pipe tape
- Phillips screwdriver
- Spirit level



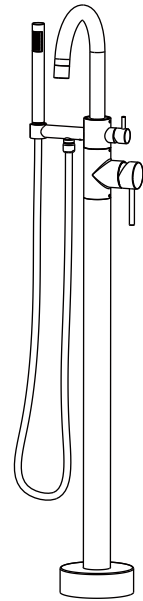
**For Models: 78-136, 87-136**

## Maintenance

Your new bathtub faucet is designed for years of trouble-free performance. Keep it looking new by cleaning it periodically with a soft cloth. Avoid abrasive cleaners, steel wool and harsh chemicals as these will dull the finish and void your warranty.

## Safety Tips

- If you use soldering for the installation of the faucet, the seats, and washers will have to be removed before using flame. Otherwise, warranty will be void on these parts.
- Protect your eyes with safety glasses when cutting or soldering water supply line.
- Cover your drain to avoid losing parts.



## Important Points

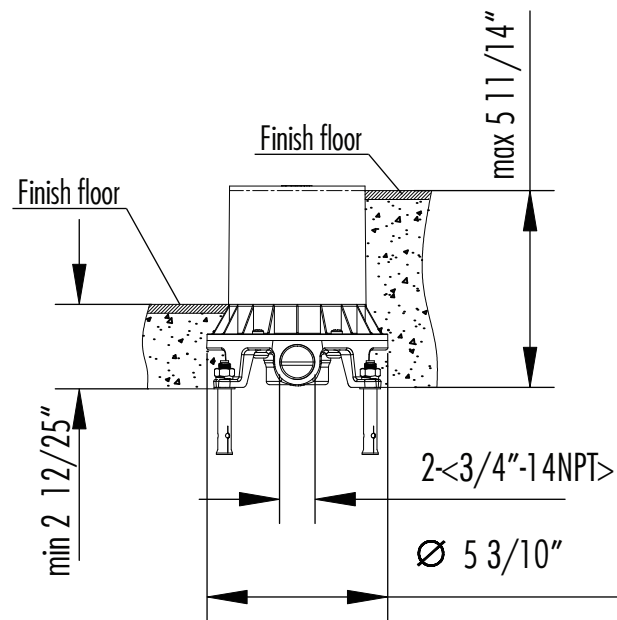
Prior to beginning installation, turn off the cold and hot water lines and open the old faucet to release built-up pressure. When installing your new faucet, turn the connector nuts finger-tight, then use one wrench to anchor the fitting and a second wrench to tighten the nut one additional turn. Connections that are too tight will reduce the integrity of the system. Wrap all threaded connections with Teflon tape available at your local hardware or plumbing supply store. Always wrap in a clockwise direction. The fittings should be installed by the State-licensed plumber.

## Things You May Need

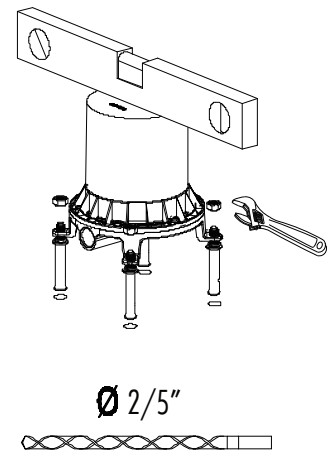
All installations can vary depending on how your previous faucet was installed. Necessary supplies to install your faucet are not all included; however, they are available wherever plumbing supplies are sold. When choosing your installation supplies, make sure they are IAPMO and/or CSA approved products.

# Preparation/Assembly

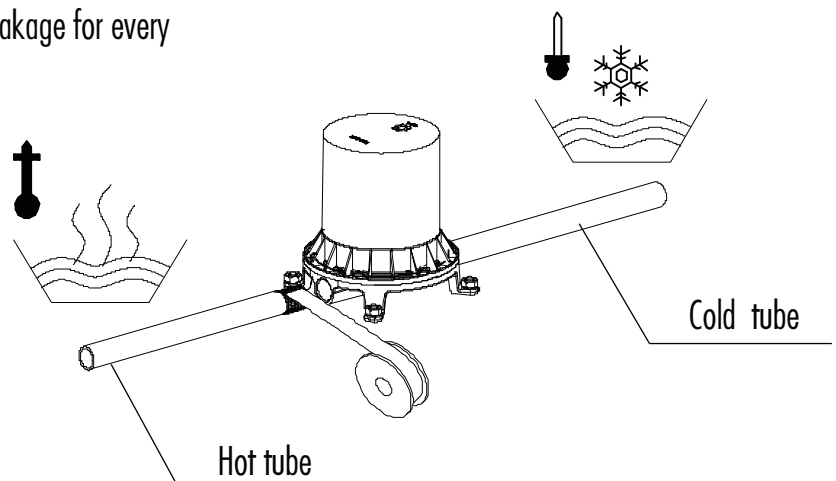
- 1 Shut off main water supply before installation. Then determine the depth of the embedded hole. Ensure the hole depth is between  $2\frac{12}{25}$ " to  $5\frac{11}{14}$ ".



- 2 Put the embedded part into the hole, draw the location of the mounting holes. Make sure that the level of location of embedded with spirit level. Then remove the embedded part, drilling with  $\text{Ø}2/5$ " drill and put the setscrew in the mounting holes and place the embedded part on the setscrew, tighten the screws with an adjustable wrench.

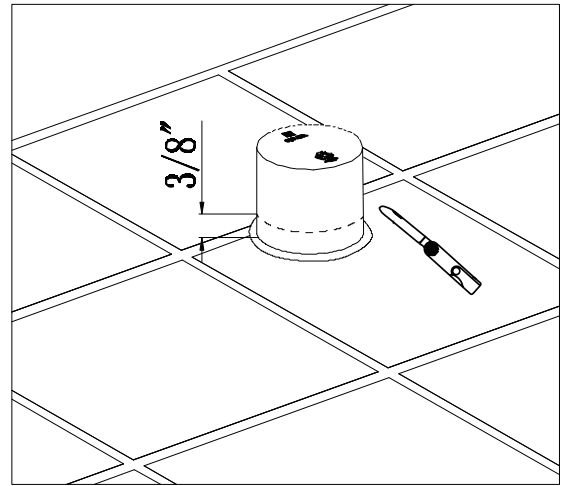


- 3 Connect the hot & cold tube: hot tube be Connected to the hot water inlet is marked "H", cold tube be Connected to the cold water inlet is marked "C". Turn on water supply to check if there is leakage for every components.

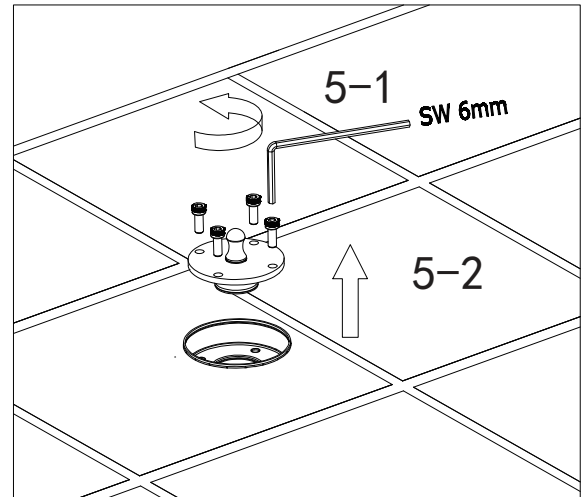


## Preparation/Assembly

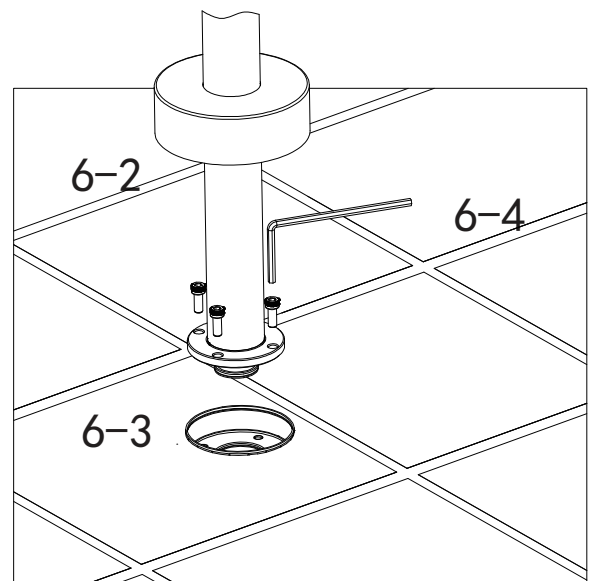
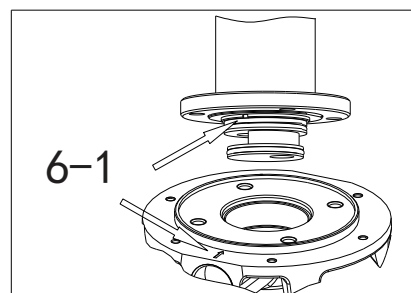
- 4** Cut the plastic shield so that it extends  $3/8$ " above the surface of the finished floor.



- 5** Loosen the lock screws, set aside. Then remove the sealing test plug.

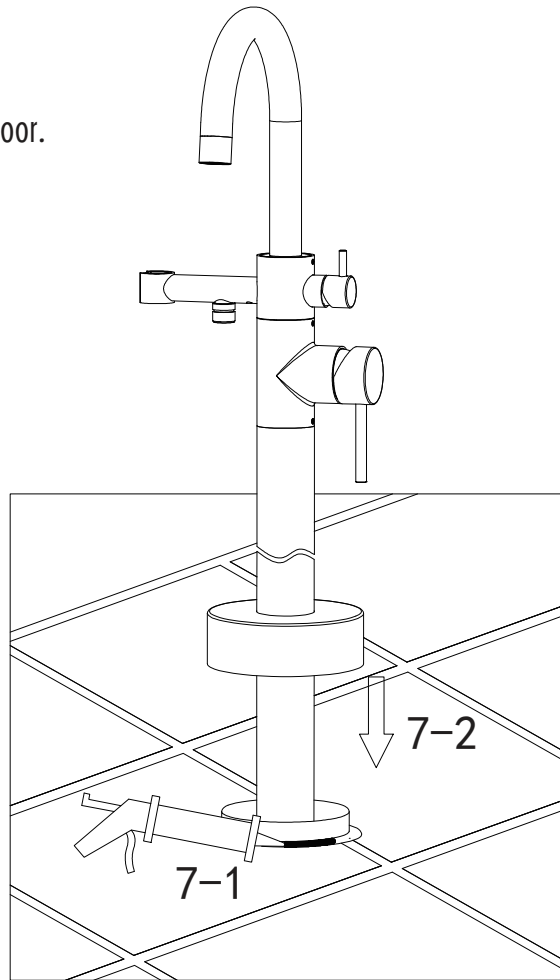


- 6** Get the faucet from the packing and push up the escutcheon. Connecting the faucet with the embedded part. Then adjust the direction of faucet and tighten the screws using an 6 mm Allen wrench. Make sure the slot side be directed at arrow when you install the faucet

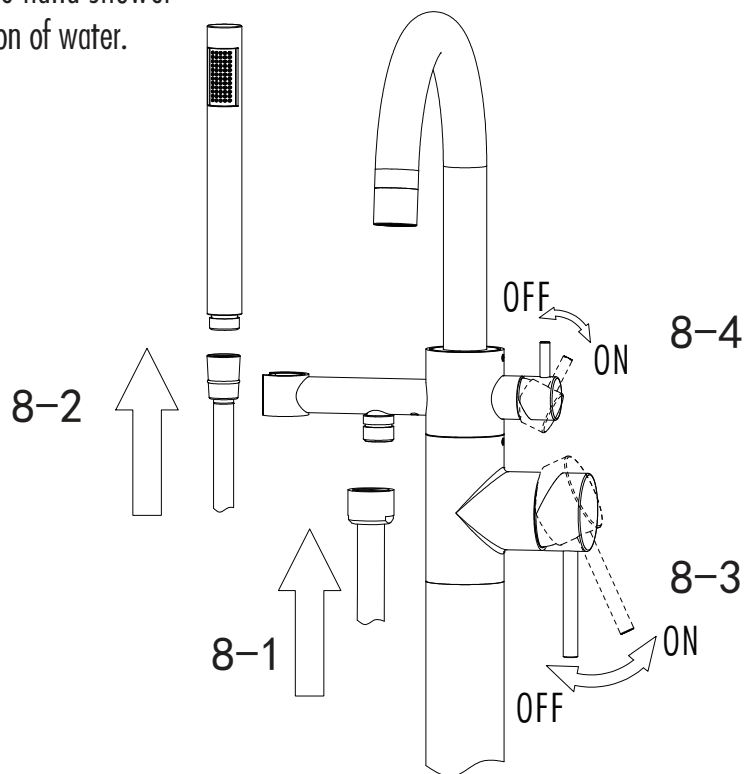


# Preparation/Assembly

- 7** Seal the floor around the plastic shield with waterproof sealant, push down the escutcheon to the floor.



- 8** Connect the hose and the hand shower, then rest the hand shower in the holder. Turn on on-off valve to test the situation of water.



Steps 7-8